

AS3515

Stereo Audio Codec with System Power Management

1 General Description

The AS3515 is a low power stereo audio codec and is designed for Portable Digital Audio Applications. It allows playback in CD quality and recording in FM-stereo quality. It has a variety of audio inputs and outputs to directly connect electret microphones, 16 Ω headset, 4 Ω speaker and auxiliary signal sources via a 10-channel mixer. It only consumes 22mW in playback mode.

Further the device offers advanced power management functions. All necessary ICs and peripherals in a flash based Digital Audio Player are supplied by the AS3515. The power management block generates 9 different supply voltages out of the battery supply. CPU, NAND flash, SRAM, memory cards, LCD back-light, USB RX/TX can be powered. The different supply voltages are programmable via the serial control interface. It also contains a charger and is designed for battery supplies from 1V to 5V.

The AS3515 has an on-chip, phase locked loop (PLL) controlled, clock generator. It generates 44.1kHz, 48kHz and other sample rates defined in MP3, AAC, WMA, OGG VORBIS etc. No additional external crystal or PLL is needed. Further the AS3515 has an independent 32kHz real time clock (RTC) on chip which allows a complete power down of the system CPU.

2 Key Features

Multi-bit Sigma Delta Converters

- DAC: 18bit with 94dB SNR ('A' weighted), 48kHz
- ADC: 14bit with 82dB SNR ('A' weighted), 16kHz

2 Microphone Inputs

- 3 gain pre-setting (28dB/34dB/40dB) and AGC
- 32 gain steps @1.5dB and MUTE
- supply for electret microphone
- microphone detection
- remote control by switch

2 Line Inputs

- volume control via serial interface
- 32 steps @1.5dB and MUTE
- stereo or 2x mono or mono differential

Line Outputs

- volume control via serial interface
- 32 steps @1.5dB and MUTE
- 1Vp @10k Ω
- mono differential 5mW to 32 Ω (ear-peace)

Audio Mixer

- 10 channel input/output mixer with AGC
- mixes line inputs and microphones with DAC
- left and right channels independent

High Efficiency Headphone Amplifier

- volume control via serial interface
- 32 steps @1.5dB and MUTE
- 2x40mW @16 Ω driver capability
- headphone and over-current detection
- phantom ground eliminates large capacitors

High Power Speaker Amplifier

- volume control via serial interface
- 32 steps @1.5dB and MUTE
- 2x500mW @8 Ω driver capability
- over-current detection

Power Management

- step up for system supply (3.0V – 3.6V)
- charge pump for CPU core (0.85V – 1.8V, 200mA)
- step up for backlight (15V, 38.5mA)
- LDO for digital supply (2.9V, 200mA)
- LDO for analogue supply (2.9V, 200mA)
- LDO for peripherals (1.7V-3.3V, 200mA)
- LDO for peripherals (3.1V-3.3V, 200mA)
- LDO for RTC (1.0V-2.5V, 2mA)
- LDO for USB 1.1 transceiver (3.26V, 10mA)
- battery supervision
- 10sec emergency shut-down

Battery Charger

- automatic trickle charge (50mA)
- prog. constant current charging (100-400mA)
- prog. constant voltage charging (3.9V-4.25V)

Real Time Clock

- ultra low power 32kHz oscillator
- 32bit RTC sec counter
- selectable alarm (seconds or minutes)

General Purpose ADC

- 10bit resolution
- 16 inputs analogue multiplexer

Interfaces

- I²S digital audio interface
- 2 wire serial control interface
- watchdog via serial interface
- power good pin
- 128bit unique ID (OTP)
- 17 different interrupts

Package

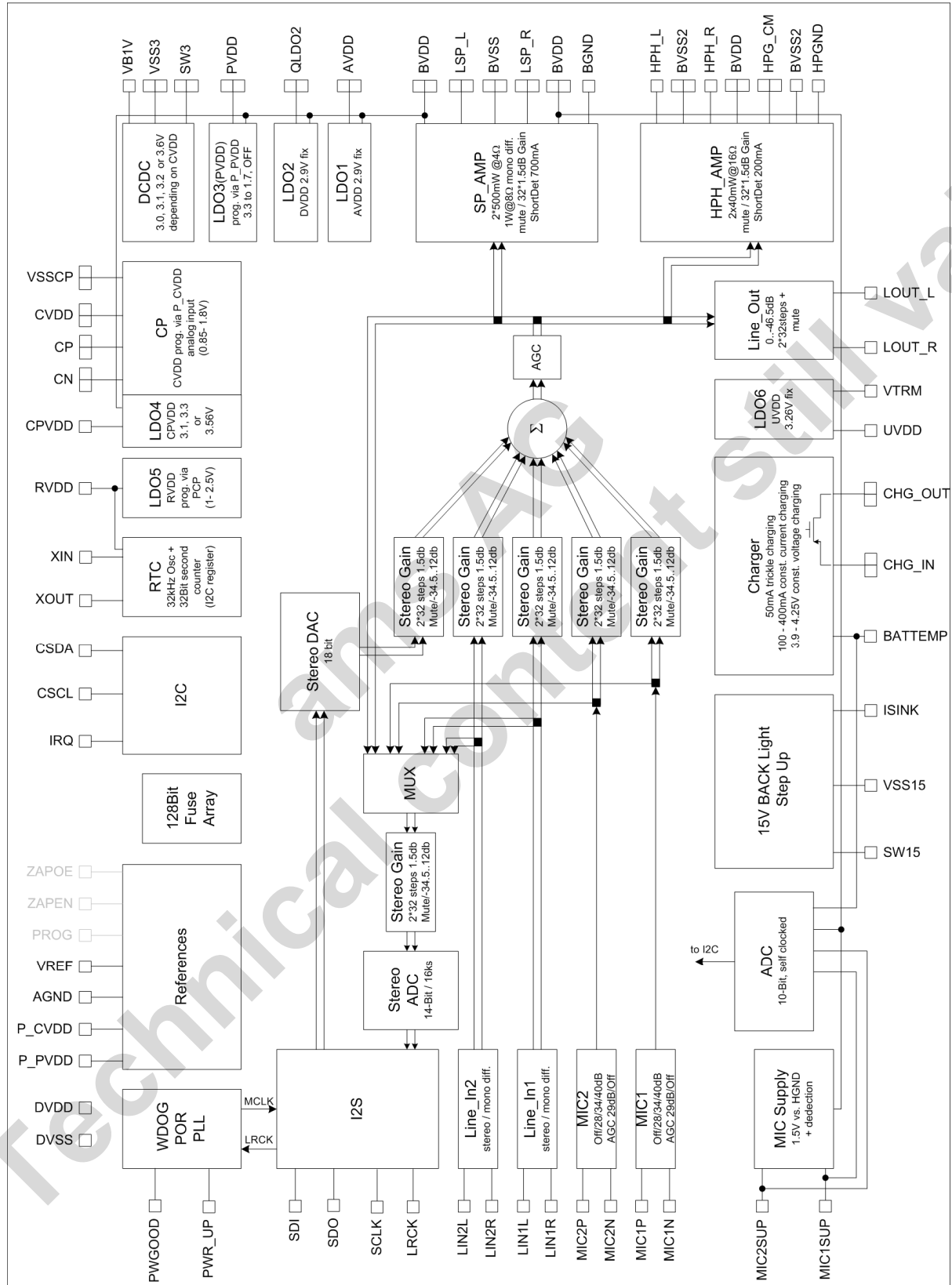
- CTBGA64 [7.0x7.0x1.1mm] 0.8mm pitch
- LQFP64 [10x10x1.4mm] 0.5mm pitch

3 Application

Portable Digital Audio Player and Recorder
PDA, Smartphone

4 Block Diagram

Figure 1 AS3515 Block Diagram



Contents

1	General Description	1
2	Key Features.....	1
3	Application	1
4	Block Diagram.....	2
5	Absolute Maximum Ratings (Non-Operating).....	6
5.1	Operating Conditions	7
6	Detailed Functional Block Description.....	8
6.1	Line Output	8
6.1.1	General.....	8
6.1.2	Register Description	8
6.1.3	Parameter.....	9
6.2	Headphone Output	10
6.2.1	General.....	10
6.2.2	Phantom Ground	10
6.2.3	No-Pop Function.....	10
6.2.4	Over-current Protection	10
6.2.5	Headphone Detection.....	10
6.2.6	Power Save Options	10
6.2.7	Parameter.....	11
6.2.8	Register Description	11
6.3	Speaker Output.....	13
6.3.1	General.....	13
6.3.2	No-Pop Function.....	13
6.3.3	Over-current Protection	13
6.3.4	Power Save Options	13
6.3.5	Parameter.....	14
6.3.6	Register Description	14
6.4	Microphone Inputs (2x).....	16
6.4.1	General.....	16
6.4.2	AGC.....	16
6.4.3	Supply & Detection	16
6.4.4	Remote Control.....	16
6.4.5	Parameter.....	17
6.4.6	Register Description	17
6.5	Line Inputs (2x).....	19
6.5.1	General.....	19
6.5.2	Parameter.....	19
6.5.3	Register Description	19
6.6	Digital Audio Interface.....	21
6.6.1	Input.....	21
6.6.2	Output.....	21
6.6.3	Signal Description.....	21
6.6.4	Power Save Options	21
6.6.5	Clock Supervision	21
6.6.6	Parameter.....	22
6.6.7	Register Description	22
6.7	Audio Output Mixer	24
6.7.1	General.....	24
6.7.2	AGC.....	24
6.7.3	Register Description	24
6.8	Audio Settings.....	25
6.8.1	Register Description	25
6.9	3V Step-Up Converter.....	27
6.9.1	General.....	27
6.9.2	Parameter.....	28
6.10	Low Drop Out Regulators.....	29
6.10.1	General	29
6.10.2	LDO1.....	29
6.10.3	LDO2.....	29
6.10.4	LDO3.....	29
6.10.5	LDO4.....	30
6.10.6	Parameter	30
6.11	Charge-Pump Step-Down Converter.....	32

6.11.1	General	32
6.11.2	Functional Description.....	32
6.11.3	Parameter	34
6.12	SYSTEM	35
6.12.1	General	35
6.12.2	Power Up	35
6.12.3	Power Down.....	35
6.12.4	Parameter	36
6.12.5	Register Description.....	36
6.13	Charger	38
6.13.1	General	38
6.13.2	Trickle Charge.....	38
6.13.3	Temperature Supervision.....	38
6.13.4	Parameter	38
6.13.5	Register Description.....	39
6.14	15V Step-Up Converter	40
6.14.1	General	40
6.14.2	Parameter	40
6.14.3	Register Description.....	41
6.15	Supervisor	42
6.15.1	General	42
6.15.2	BVDD Supervision	42
6.15.3	Junction Temperature Supervision.....	42
6.15.4	Register Description.....	42
6.16	Interrupt Generation	43
6.16.1	General	43
6.16.2	IRQ Source Interpretation	43
6.16.3	De-bouncer	43
6.16.4	Register Description.....	43
6.17	Real Time Clock.....	45
6.17.1	General	45
6.17.2	RTC supply	45
6.17.3	Register Description.....	45
6.18	10-Bit ADC	47
6.18.1	General	47
6.18.2	Input Sources	47
6.18.3	Reference	47
6.18.4	Parameter	48
6.18.5	Register Description.....	48
6.19	128 bit Fuse Array.....	50
6.19.1	General	50
6.19.2	Register Description.....	50
6.20	VTRM-LDO	51
6.20.1	General	51
6.21	I2C Control Interface	52
6.21.1	General	52
6.21.2	Parameter	52
6.21.3	Register Description.....	53
7	Electrical Specification	55
8	Pinout and Packaging.....	57
8.1	Pin Description.....	57
8.2	Ball & Pin Assignment.....	59
8.2.1	CTBGA64	59
8.2.2	LQFP64	60
8.3	Package Drawings and Marking	61
8.3.1	CTBGA64	61
8.3.2	LQFP64	62
9	Ordering Information	65
10	Copyright.....	66
11	Disclaimer.....	66
12	Contact Information	66

Revision History

Revision	Date	Owner	Description
3.0	5.5.2005	pkm	final release
3.01	12.5.2005	pkm	changed soldering conditions (chapter 5)
3.02	12.5.2005	pkm	updated charge pump and LDO typical performance characteristics(chapter 6.10, 6.11)
3.03	12.5.2005	pkm	spelling corrections (chapter 6.18)
3.03	20.5.2005	pkm	updated 15V DCDC description (chapter 6.14)
3.04	18.10.05	pkm	updated 3V and 15V DCDC block diagram (chapter 6.9, 6.14)
3.04	18.10.05	pkm	changed interrupt de-bounce times (6.16)
3.04	11.4.06	pkm	changed block diagram
3.1	3.6.08	pkm	V15 changes: RTCSUP startup deleted, UID added, chip ID changed to 6h, updated package and order information

5 Absolute Maximum Ratings (Non-Operating)

Stresses beyond the absolute maximum ratings may cause permanent damage to the device. These are stress ratings only. Functional operation of the device at these or beyond those listed is not implied.

Caution: Exposure to absolute maximum rating conditions may affect device reliability.

Table 1 Absolute Maximum Ratings

PARAMETER	Symbol	MIN	MAX	UNIT	NOTE
DC Supply Voltage	BVDD, UVDD, RTCSUP, CHGIN	-0.5	7.0	V	
Voltage difference of VSS-Terminals	DVSS, AVSS, VSS3, VSS15, VSSCP, BVSS	-0.5	0.5	V	
Voltage at Digital pins	V_{in}	-0.5	5.0	V	VB1V, CSCL, CSDA, PWR_UP these pins have no diode to DVDD
Voltage at Digital pins:	V_{in}	-0.5	DVDD+0.5	V	LRCK, SCLK, SDI, SDO, P_PVDD, P_CVDD, BATTEMP, ISINK, XIN32K, XOUT32K, XIRQ, PWGOOD
Voltage at 5V pins:	V_{in}	-0.5	BVDD+0.5V	V	BGND, HPH_CM, HPGND, HPL/R, SPL/R
Voltage at Analogue pins:	V_{in}	-0.5	AVDD+0.5	V	LOUTL/R, VREF, AGND, LIN1L/R, LIN2L/R, MIC1P/N, MIC2P/N, MIC1SUP, MIC2SUP
Voltage at Regulator pins:	V_{in}	-0.5	5.0	V	AVDD, DVDD, PVDD, CPVDD, CVDD
Input Current (latchup immunity)	I_{scr}	-100	100	mA	Norm: Jedec 17
Electrostatic Discharge HBM	ESD		+/-1	kV	Norm: MIL 883 E method 3015
Total Power Dissipation (all supplies and outputs)	P_t	-	1000	mW	Valid for BGA64 package
Storage Temperature	T_{strg}	-55	125	°C	
Humidity non-condensing		5	85	%	

Table 2 Soldering Conditions

Symbol	Parameter	Min	Max	Unit	Comments
T_{body}	Package Body Temperature		260	°C	Norm IPC/JEDEC J-STD-020C, reflects moisture sensitivity level only
T_{peak}	Solder Profile*	235	245	°C	
D_{well}		30	45	s	above 217 °C
MSL	Moisture Sensitive Level	3		1	Represents a max. floor live time of 168h

* austriamicrosystems AG strongly recommends to use underfill.

5.1 Operating Conditions

Table 3 Operating Conditions

PARAMETER	SYMBOL	MIN	MAX	UNIT	NOTE
Battery Supply Voltage	BVDD	3.0	5.5	V	
DCDC 3V Supply Voltage	VB1V	1.0	3.6	V	
USB Supply Voltage	UVDD	4.5	5.5	V	
Digital Supply Voltage	DVDD	2.8	3.6	V	
Analogue Supply Voltage	AVDD	2.8	3.6	V	
Charger Supply Voltage	CHG_IN	4.5	5.5	V	
Difference of Positive Supplies	AVDD-DVDD	-0.25	0.25	V	
Difference of Negative Supplies DVSS, AVSS, VSS3, VSS15, VSSCP, BVSS	Any Combination	-0.1	0.1	V	To achieve good performance, the negative supply terminals should be connected to low ohmic ground plane.
Ambient Temperature	T _{amb}	-20	85	°C	
Supply Current	BVDD	6.8		mA	DAC to HP without load and bias reduction enabled
System Clock Frequency	LRCLK	8	48	kHz	According to 8-48kSps Audio Data

6 Detailed Functional Block Description

6.1 Line Output

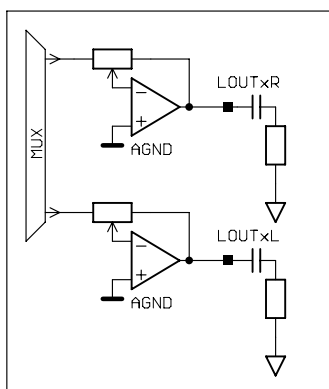
6.1.1 General

The line output is designed to provide the audio signal with typical 1Vp at a load of minimum 10kΩ, which is a minimum value for line inputs. Additionally, this output amplifier is capable of driving a 32Ω load (e.g. an earpiece of a mobile phone). To achieve this, the operation mode can be switched from single ended stereo to mono differential.

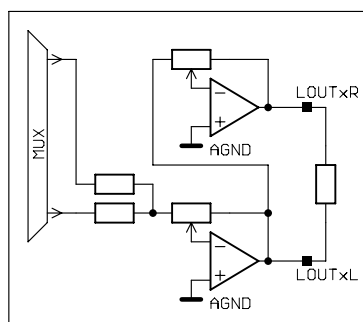
This output stage has an independent gain regulation for left and right channel with 32 steps @ 1.5dB each. The gain can be set from -40.5dB to +6dB.

Figure 2 Line Output Mode Block Diagrams

Stereo Mode



Mono Differential Mode



Please observe that gain of upper amplifier needs to be set to 0dB

6.1.2 Register Description

Enabling the output stage is done via a control bit in the audio settings register (AudioSet1 register 0x14h). The line out driver itself is controlled by the following two registers.

Right Line Out Register (00h)

Table 4 LINE_OUT_R Register

Bit	Name	Default	Access	Description
7,6	reserved	00b	R/W	For testing purpose only, must be set to 0h
5	-	0b	R/W	not used
4..0	LOR_VOL	00000b	R/W	volume settings for right line output, adjustable in 32 steps @ 1.5dB 11111: 6 dB gain 11110: 4.5 dB gain .. 00001: -39 dB gain 00000: -40.5 dB gain

Left Line Out Register (01h)

Table 5 LINE_OUT_L Register

Bit	Name	Default	Access	Description
7,6	LO_SES_DM	00b	R/W	Single ended stereo or differential mono selection 11: tbd. 10: output switched to single ended stereo 01: output switched to differential mono 00: output switched to mute
5	-	0b	n/a	not used
4..0	LOL_VOL	00000b	R/W	volume settings for left line output, adjustable in 32 steps @ 1.5dB 11111: 6 dB gain 11110: 4.5 dB gain .. 00001: -39 dB gain 00000: -40.5 dB gain

6.1.3 Parameter

Table 6 Line Output Characteristics

Symbol	Parameter	Notes	Min	Typ	Max	Unit
R _L	Output Load	stereo mode	10k			Ohm
		differential mode	32			Ohm
A ₀	Gain	programmable gain	-40.5		6	dB
ΔA _x	Gain Step-Size			1.5		dB
	Gain Step-Precision			0.5		dB
SNR	Signal to Noise Ratio	stereo mode		100		dB
	Mute Attenuation			100		dB

BVDD = 3.3V, T_A = 25°C unless otherwise mentioned

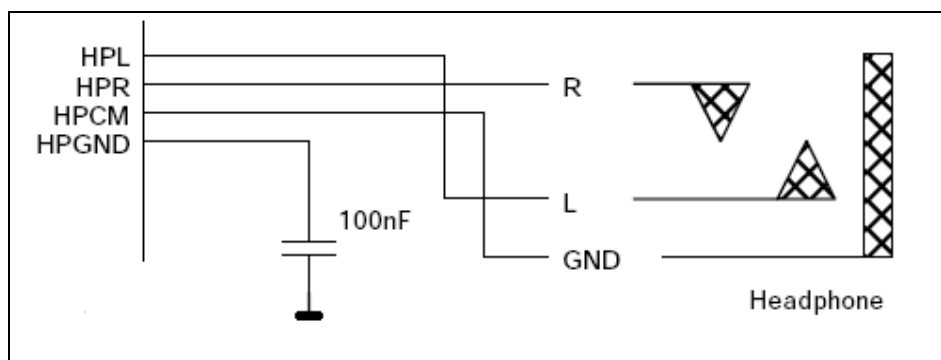
6.2 Headphone Output

6.2.1 General

The headphone output is designed to provide the audio signal with $2 \times 40\text{mW} @ 16\Omega$ or $2 \times 20\text{mW} @ 32\Omega$, which are typical values for headphones.

This output stage has an independent gain regulation for left and right channel with 32 steps @ 1.5dB each. The gain can be set from -43.43dB to $+1.07\text{dB}$. The maximum output power of $40\text{mW} @ 16\Omega$ is achieved, by setting the mixer output to 1Vp and using the gain of 1.07dB .

Figure 3 Headphone-Output



6.2.2 Phantom Ground

HPCM pin is the buffered HPGND output. It can be used to drive the loads without external blocking capacitors between HPL / HPR and HPCM. If the load is between HPR / HPL and $BVSS$, $100\mu\text{F}$ of de-coupling capacitors are needed. The phantom ground can be switched off to save power if not needed.

6.2.3 No-Pop Function

To avoiding click and pop noise during power-up and shutdown, the output is automatically set to mute when the output stage is disabled. HPGND pin, which needs a 100nF capacitor outside, gets charged on power-up with $2\mu\text{A}$ to $AGND=1.45\text{V}$. After start-up the DC level of the following pins are the same: $HPR=HPL=HPCM=HPGND=AGND=1.45\text{V}$. The Start-up time before releasing mute is about 90ms . To avoid pop-noise 150ms discharging time of HPGND after a shutdown, have to be waited before starting up again.

6.2.4 Over-current Protection

This output stage has an over-current protection, which disables the output for 256ms or 512ms . This value can be set in the headphone registers. The over-current protection limit of HPR and HPL pin is typical 145mA while HPCM pin has a 210mA threshold. If needed, the over-current condition can also be signalled via an interrupt to the controlling microprocessor.

6.2.5 Headphone Detection

With a control bit the headphone detection can be enabled. The detection is only working as long as the headphone stage is in power down mode and the load is applied between HPR / HPL and HPCM. the headphone detection can also trigger a corresponding interrupt.

6.2.6 Power Save Options

To save power, especially when driving 32 Ohm loads, a reduction of the bias current can be selected. Together with switching off the phantom ground this gives 4 possible operating modes.

Table 7 Headphone Power-Save Options

HPCM_OFF	IBR_HPH	IDD_HPH (typ.)	Load
0	0	2.2mA	16 Ohm
1	0	1.5mA	16 Ohm
0	1	1.5mA	32 Ohm
1	1	1.0mA	32 Ohm

$BVDD = 3.3\text{V}$, $T_A = 25^\circ\text{C}$ unless otherwise mentioned

6.2.7 Parameter

Table 8 Power Amplifier Block Characteristics

Symbol	Parameter	Notes	Min	Typ	Max	Unit
R _L	Output Load	stereo mode	16			Ohm
P _{out}	Maximum Output Power	R _L = 32Ω		20		mW
		R _L = 16Ω		40		mW
A ₀	Gain	programmable nominal gain	-43.43		1.07	dB
ΔA _x	Gain Step-Size			1.5		dB
	Gain Step-Precision			0.5		dB
PSRR	Power Supply Rejection Ratio	200Hz-20kHz, 720mVpp, R _L = 16Ω		90		dB
	Short Current Protection Level			145		mA
I _{OUT_pd}	I _{OUT} power down	HPGND is forced high (>1V)	-20		20	uA
T _{power_up}				90		ms
SNR	Signal to Noise Ratio			100		dB
	Mute Attenuation			100		dB

BVDD = 3.3V, T_A = 25°C unless otherwise mentioned

6.2.8 Register Description

To get an interrupt on an over-current event, the corresponding bit in the IRQ_ENRD1 register (0x26h) has to be set. Also the interrupt request for HP detection has to be set in this register. The power-save options are controlled via AudioSet3 register (0x16h). All other headphone driver settings are controlled by the following two registers.

Right Headphone Register (02h)

Table 9 HPH_OUT_R Register

Bit	Name	Description
7,6	HP_OVC_TO	speaker over current time out: 11: 0 ms 10: 512 ms 01: 128 ms 00: 256 ms
5	-	-
4..0	HPR_VOL	volume settings for right headphone output, adjustable in 32 steps @ 1.5dB 11111: 1.07 dB gain 11110: -0.43 dB gain .. 00001: -43.93dB gain 00000: -45.43 dB gain

The register is R/W; default value is 00h

Left Headphone Register (03h)

Table 10 HPH_OUT_L Register

Bit	Name	Description
7	HP_Mute	0: normal operation 1: headphone output set to mute (mute is on during power-up)
6	HP_ON	0: speaker stage not powered 1: power up headphone stage
5	HPdetON	0: no headphone detection 1: enable headphone detection
4..0	HPL_VOL	volume settings for left headphone output, adjustable in 32 steps @ 1.5dB 11111: 1.07 dB gain 11110: -0.43 dB gain .. 00001: -43.93dB gain 00000: -45.43 dB gain

The register is R/W; default value is 00h

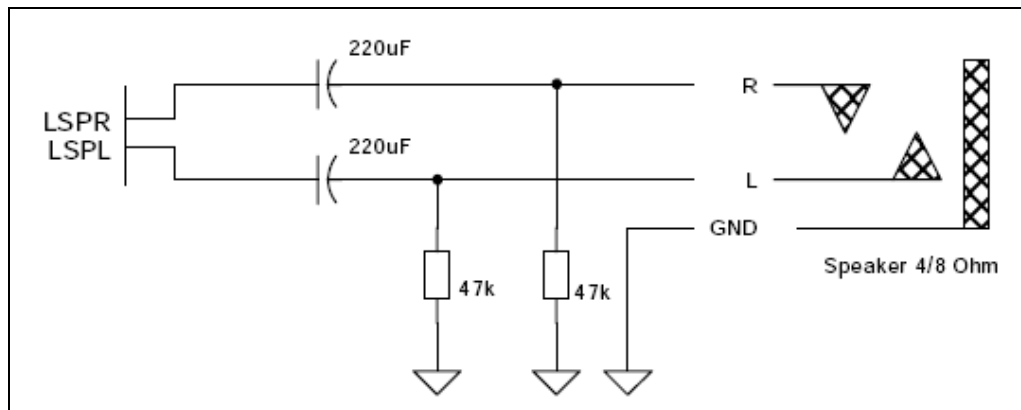
6.3 Speaker Output

6.3.1 General

The speaker output is designed to provide the stereo audio signal with 2x500mW @ 4Ω.

This output stage has an independent gain regulation for left and right channel with 32 steps @ 1.5dB each. The gain can be set from -40.5dB to +6dB. The maximum output power of 500mW @ 4Ω is achieved, by setting the mixer output to 1Vp and using the gain of +6dB.

Figure 4 Speaker Output



6.3.2 No-Pop Function

BGND pin, which needs a 100nF capacitor outside, gets charged on power-up to BVDD/2. To avoiding click and pop noise during power-up and shutdown, the output is automatically set to mute when the output stage is disabled.

The Start-up time before releasing mute is about 100ms. To avoid pop-noise the 150ms discharging time of SPR / SPL after a shutdown (220µF capacitor in stereo single ended mode assumed), have to be waited before starting up again.

6.3.3 Over-current Protection

This output stage has an over-current protection, which disables the output for 0 to 512ms. This value can be set in the speaker registers. The over-current protection limit of SPR and SPL pin is typical 700mA. To get an interrupt on an over-current event, the corresponding bit in the IRQ_ENRD1 register (0x26h) has to be set.

6.3.4 Power Save Options

When driving > 4Ω, two power save options can be chosen.

The output driver stage can be set to only 25% drive capacity, which will reduce the maximum output power. Additionally the bias currents can be reduced to 50% in 3 steps.

Table 11 Speaker Power-Save Options

LSP_LP	IBR_LSP	IDD_HPH (typ.)	Load
0	00	8mA	4 Ohm
1	00	2.8mA	16-32 Ohm
1	01	2.4mA	16-32 Ohm
1	10	1.9mA	16-32 Ohm
1	11	1.5mA	16-32 Ohm

BVDD = 3.3V, T_A = 25°C unless otherwise mentioned

6.3.5 Parameter

Table 12 Speaker Amplifier Parameter

Symbol	Parameter	Notes	Min	Typ	Max	Unit
R _L	Output Load	stereo mode	4			Ohm
		mono differential mode	8			Ohm
P _{out}	Maximum Output Power	R _L = 8Ω, mono differential mode		1		W
A ₀	Gain	programmable nominal gain	-40.5		6	dB
ΔA _x	Gain Step-Size			1.5		dB
	Gain Step-Precision			0.5		dB
PSRR	Power Supply Rejection Ratio	200Hz-20kHz, 720mVpp, no load		75		dB
	Short Current Protection Level			700		mA
I _{OUT_pd}	I _{OUT} power down	BGND is forced high (>1V)	-20		20	uA
T _{power_up}				100		ms
SNR	Signal to Noise Ratio			100		dB
	Mute Attenuation			100		dB

BVDD = 5V, T_A = 25°C unless otherwise mentioned

6.3.6 Register Description

To get an interrupt on an over-current event, the corresponding bit in the IRQ_ENRD1 register (0x25h) has to be set. Changing the bias current or the output driver strength is done via AudioSet2 register (0x15h). All other speaker driver settings are controlled by the following two registers.

Right Speaker Register (04h)

Table 13 LSP_OUT_R Register

Bit	Name	Description
7,6	SP_OVC_TO	speaker over current time out: 11: 0 ms 10: 512 ms 01: 128 ms 00: 256 ms
5	-	not used
4..0	SPR_VOL	volume settings for right speaker output, adjustable in 32 steps @ 1.5dB 11111: 6 dB gain 11110: 4.5 dB gain .. 00001: -39 dB gain 00000: -40.5 dB gain

The register is R/W; default value is 00h

Left Speaker Register (05h)

Table 14 LSP_OUT_L Register

Bit	Name	Description
7	SP_Mute	0: normal operation 1: speaker output set to mute (mute is on during power-up)
6	SP_ON	0: speaker stage not powered 1: power up speaker stage
5	-	not used
4..0	SPR_VOL	volume settings for left speaker output, adjustable in 32 steps @ 1.5dB 11111: 6 dB gain 11110: 4.5 dB gain .. 00001: -39 dB gain 00000: -40.5 dB gain

The register is R/W; default value is 00h

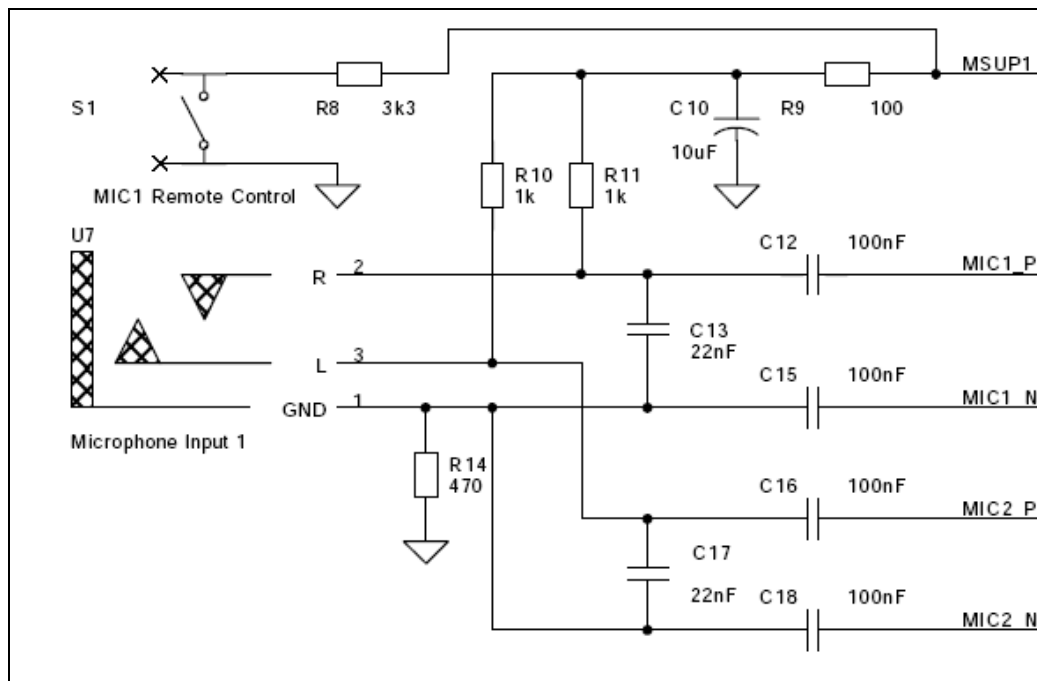
6.4 Microphone Inputs (2x)

6.4.1 General

AS3515 includes two identical microphone inputs. The blocks have differential inputs to a microphone amplifier with adjustable gain. This stage also includes an AGC.

The following volume control has an independent gain regulation for left and right channel with 32 steps @ 1.5dB each. The gain can be set from -40.5dB to +6dB. The stage is set to mute by default. If the microphone input is not enabled, the volume settings are set to their default values. Changing of volume and mute control can only be done after enabling the input.

Figure 5 Microphone Input



6.4.2 AGC

The microphone amplifier includes an AGC, which is limiting the signal to 1Vp. The AGC has 15 steps with a dynamic range of about 29dB. The AGC is ON by default but can be disabled by a microphone register bit.

6.4.3 Supply & Detection

Each microphone input generates a supply voltage of 1.5V above HPHCM. The supply is designed for $\leq 2\text{mA}$ and has a 10mA current limit. In OFF mode the MICSUP terminal is pulled to AVDD with 30kohm. A current of typically 50uA generates an interrupt to inform the CPU, that a circuit is connected. When using HPHCM as headset ground the HPH-stage gives the interrupt. After enabling the HPH-stage through the CPU the microphone detection interrupt will follow.

6.4.4 Remote Control

Fast changes of the supply current of typically 500uA are detected as a remote button press, and an interrupt is generated. Then the CPU can start the measurement of the microphone supply current with the internal 10-bit ADC to distinguish which button was pressed. As the current measurement is done via an internal resistor, only two buttons generating a current of about 0.5mA and 1mA can be detected. With this 1mA as microphone bias is still available.

6.4.5 Parameter

Table 15 Microphone Inputs Parameter

Symbol	Parameter	Notes	Min	Typ	Max	Unit
A0	Gain	programmable gain	-40.5		6	dB
Δ Ax	Gain Step-Size			1.5		dB
	Gain Step-Precision			0.5		dB
R _{inMIC}	Input Resistance	differential		15		kOhm
A _{MIC0}	MicAmp_Gain0			28		dB
A _{MIC1}	MicAmp_Gain1			34		dB
A _{MIC2}	MicAmp_Gain2			40		dB
	SoftClip_AGC_Range			15*2.0		dB
	Attack_Time			60		us
	Release_Time			120		ms
V _{Innom0}	Nominal_Input_Voltage0	MicInGain = 0dB, MicAmp_Gain0		40		mVp
V _{Innom1}	Nominal_Input_Voltage1	MicInGain = 0dB, MicAmp_Gain1		20		mVp
V _{Innom2}	Nominal_Input_Voltage2	MicInGain = 0dB, MicAmp_Gain2		10		mVp
SNR	Signal to Noise Ratio			90		dB
	Mute Attenuation			100		dB
Microphone Supply						
V _{MICsup}	Microphone Supply Voltage	0-2mA		2.95		V
I _{MIClim}	Mic. Supply Current Limit			10		mA
I _{MICdet}	Mic. Detection Current			50		uA
I _{REMDet}	Remote Detection Current				500	uA
V _{noise}	Voltage Noise			5.7		uV

BVDD = 3.3V, T_A = 25°C unless otherwise mentioned

6.4.6 Register Description

Enabling a microphone input is done via a control bit in the audio settings register (AudioSet1 register 0x14h). To get an interrupt on an microphone detection event, the corresponding bit in the IRQ_ENRD1 register (0x26h) has to be set, while a remote detection interrupt is controlled via IRQ_ENRD2 register (0x27h). All other microphone input settings are controlled by the following registers.

Right Microphone Registers (06h & 08h)

Table 16 MIC1_R & MIC2_R Register

Bit	Name	Description
7	M1_AGC_off M2_AGC_off	0: automatic gain control enabled 1: automatic gain control disabled
6,5	M1_Gain M2_Gain	00: gain set to 28 dB 01: gain set to 34 dB 10: gain set to 40 dB 11: gain set to tbd.
4..0	M1R_VOL M2R_VOL	volume settings for right microphone input, adjustable in 32 steps @ 1.5dB 11111: 6 dB gain 11110: 4.5 dB gain .. 00001: -39 dB gain 00000: -40.5 dB gain

The registers are R/W; default value is 00h

Left Microphone Register (07h & 09h)

Table 17 MIC1_L & MIC2_L Register

Bit	Name	Description
7	M1_Sup_off M2_Sup_off	0: microphone supply enabled 1: microphone supply disabled
6	M1_Mute_off M2_Mute_off	0: microphone input set to mute 1: normal operation
5	-	Not used
4..0	M1L_VOL M2L_VOL	Volume settings for left microphone input, adjustable in 32 steps @ 1.5dB 11111: 6 dB gain 11110: 4.5 dB gain .. 00001: -39 dB gain 00000: -40.5 dB gain

The registers are R/W; default value is 00h

6.5 Line Inputs (2x)

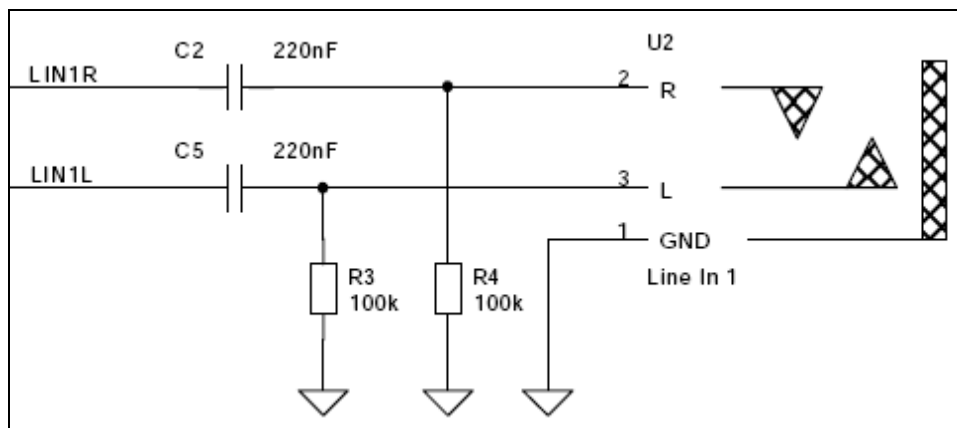
6.5.1 General

AS3515 includes two identical line inputs. The blocks can work in mono differential, 2x mono single ended or in stereo single ended mode.

The volume control has an independent gain regulation for left and right channel with 32 steps @ 1.5dB each. The gain can be set from – 34.5dB to +12dB. The stage is set to mute by default. If the line input is not enabled, the volume settings are set to their default values. Changing the volume and mute control can only be done after enabling the input.

If using the inputs as mono differential, the volume setting for the right channel should be set to 0dB.

Figure 6 Line Input



6.5.2 Parameter

Figure 7 Line Input Parameter

Symbol	Parameter	Notes	Min	Typ	Max	Unit
A0	Gain	programmable gain	-34.5		12	dB
ΔA_x	Gain Step-Size			1.5		dB
	Gain Step-Precision			0.5		dB
R_{inLINE}	Input Resistance	Mute		49		kOhm
		Min Gain, single ended stereo		100		kOhm
SNR	Signal to Noise Ratio			100		dB
	Mute Attenuation			100		dB

BVDD = 3.3V, T_A = 25°C, f_s = 48kHz unless otherwise mentioned

6.5.3 Register Description

Enabling a line-input is done via a control bit in the audio settings register (AudioSet1 register 0x14h). All other line input settings are controlled by the following registers.

Right Line In Registers (0Ah & 0Ch)

Table 18 LINE_IN1_R & LINE_IN2_R Register

Bit	Name	Description
7,6	-	
5	LI1R_Mute_off LI2R_Mute_off	0: right line input is set to mute 1: normal operation
4..0	LI1R_VOL LI2R_VOL	volume settings for right line input, adjustable in 32 steps @ 1.5dB 11111: 12 dB gain 11110: 10.5 dB gain .. 00001: -33 dB gain 00000: -34.5 dB gain

The registers are R/W; default value is 00h

Left Line In Register (0Bh & 0Dh)

Table 19 *LINE_IN1_L & LINE_IN2_L Register*

Bit	Name	Description
7,6	L11_Mode L12_Mode	Single ended stereo or differential mono selection 00: inputs switched to single ended stereo 01: inputs switched to differential mono 10: inputs switched to single ended mono 11: tbd.
5	L11L_Mute_off L12L_Mute_off	0: left line input is set to mute 1: normal operation
4..0	L11L_VOL L12L_VOL	Volume settings for left microphone input, adjustable in 32 steps @ 1.5dB 11111: 12 dB gain 11110: 10.5 dB gain .. 00001: -33 dB gain 00000: -34.5 dB gain

The registers are R/W; default value is 00h

6.6 Digital Audio Interface

6.6.1 Input

Digital audio data can be fed into the AS3515 via the I2S interface. These input data are then used by the 18-bit DAC to generate the analog audio signal.

The volume control has an independent gain regulation for left and right channel with 32 steps @ 1.5dB each. The gain can be set from –40.5dB to +6dB. The stage is set to mute by default. If the DAC input is not enabled, the volume settings are set to their default values. Changing the volume and mute control can only be done after enabling the input.

6.6.2 Output

This block consists of an audio multiplexer where the signal, which should be recorded, can be selected. The output is then fed through a volume control to the 14 bit ADC. The digital output is done via an I2S interface.

The volume control has an independent gain regulation for left and right channel with 32 steps @ 1.5dB each. The gain can be set from –34.5dB to +12dB. The stage is set to mute by default. If the ADC output is not enabled, the volume settings are set to their default values. Changing the volume and mute control can only be done after enabling the input.

The I2S output uses the same clocks as the I2S input. The sampling rate therefore depends also on the input sampling rate.

6.6.3 Signal Description

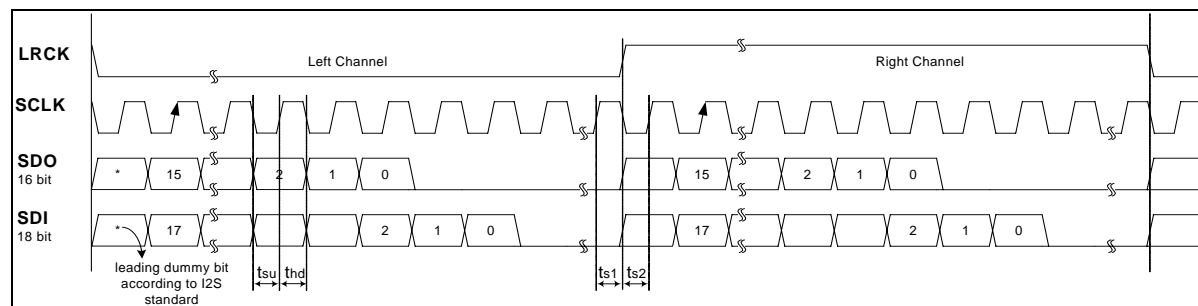
The digital audio interface uses the standard I2S format:

- left justified
- MSB first
- one additional leading bit

The first 18 bits are taken for DAC conversion. The on-chip synchronization circuit allows any bit-count up to 32bit. When there are less than 18 bits sampled, the data sample is completed with "0"s. The ADC output is always 16 bit. If more SCLK pulses are provided, only the first 16 will be significant. All following bits will be "0".

SCLK has not to be necessarily synchronous to LRCK but the high going edge has to be separate from LRCK edges. The LRCK signal has to be derived from a jitter-free clock source, because the on-chip PLL is generating a clock for the digital filter, which has to be always in correct phase lock condition to the external LRCK.

Figure 8 I2S_Timing



6.6.4 Power Save Options

The bias current of the DAC block can be reduced in three steps down to 50% to reduce the power consumption.

6.6.5 Clock Supervision

The digital audio interface automatically checks the LRCK. An interrupt can be generated when the state of the LRCK input changes. A bit in the interrupt register represents the actual state (present or not present) of the LRCK.

6.6.6 Parameter

Table 20 DAC/ADC Block Parameter

Symbol	Parameter	Notes	Min	Typ	Max	Unit
A0	Gain	programmable gain DAC input	-43.43		1.07	dB
		programmable gain ADC output	-34.5		12	dB
ΔA_x	Gain Step-Size			1.5		dB
	Gain Step-Precision			0.5		dB
	Mute Attenuation			100		dB
I2S inputs / outputs						
V _{IL}		SCLK, LRCK, SDI (30% DVDD/2)	-	-	0.42	V
V _{IH}		SCLK, LRCK, SDI (70% DVDD/2)	1.02	-	DVDD	V
V _{OL}		SDO @ 2mA	-	-	0.3	V
V _{OH}		SDO @ 2mA	2.6	-	-	V
t _{su}	Set-up Time	SDI versus high going edge of SCLK	80			ns
t _{hd}	Hold Time	SDI versus high going edge of SCLK	80			ns
t _{s1} , t _{s2}	Separation Time	SCLK high going edges separation from LRCK edges	80			ns
t _{jitter}	clock Jitter	LRCK	-20		20	ns

BVDD = 3.3V, DVDD = 2.9V, T_A = 25°C unless otherwise mentioned

6.6.7 Register Description

Enabling the DAC or ADC is done via a control bit in the audio settings register (AudioSet1 register 0x14h). To get an interrupt on a LRCK state change, the corresponding bit in the IRQ_ENRD1 register (0x25h) has to be set. Changing the bias current and adding a dither signal is done via AudioSet2 register (0x15h). All other DAC or ADC settings are controlled by the following two registers.

Right DAC Register (0Eh)

Table 21 DAC_R Register

Bit	Name	Description
7..5	-	
4..0	DAR_VOL	volume settings for right DAC input, adjustable in 32 steps @ 1.5dB 11111: 6 dB gain 11110: 4.5 dB gain .. 00001: -39 dB gain 00000: -40.5 dB gain

The register is R/W; default value is 00h

Left DAC Register (0Fh)

Table 22 DAC_R Register

Bit	Name	Description
7	-	
6	DAC_Mute_off	0: DAC input is set to mute 1: normal operation
5	-	
4..0	DAL_VOL	volume settings for left DAC input, adjustable in 32 steps @ 1.5dB 11111: 6 dB gain 11110: 4.5 dB gain .. 00001: -39 dB gain 00000: -40.5 dB gain

The register is R/W; default value is 00h

Right ADC Register (10h)

Table 23 ADC_R Register

Bit	Name	Description
7,6	ADCmux	00: Stereo Microphone 01: Line_IN1 10: Line_IN2 11: Audio SUM
5	-	
4..0	ADR_VOL	volume settings for right ADC input, adjustable in 32 steps @ 1.5dB 11111: 12 dB gain 11110: 10.5 dB gain .. 00001: -33 dB gain 00000: -34.5 dB gain

The register is R/W; default value is 00h

Left ADC Register (11h)

Table 24 ADC_L Register

Bit	Name	Description
7	AD_FS2	Divider selection for ADC clock 0: ADC sample clock is I2S LRCK / 2 1: ADC sample clock is I2S LRCK / 4
6	ADC_Mute_off	0: ADC input is set to mute 1: normal operation
5	-	
4..0	ADL_VOL	Volume settings for left ADC input, adjustable in 32 steps @ 1.5dB 11111: 12 dB gain 11110: 10.5 dB gain .. 00001: -33 dB gain 00000: -34.5 dB gain

The register is R/W; default value is 00h

PLL Mode Register (1Dh)

Table 25 PLLMode Register

Bit	Name	Description
7..3	-	Not used
2,1	PLLmode<1:0>	Sets the MCLK generation for different LRCK speeds: 00: LRCK: 24-48kHz 01: reserved 10: LRCK: 8-23kHz 11: reserved
0	-	Not used

The register is R/W; default value is 00h

6.7 Audio Output Mixer

6.7.1 General

The mixer stage sums up the audio signals of the following stages

- Microphone Input 1
- Microphone Input 2
- Line Input 1
- Line Input 2
- Digital Audio Input (DAC)

The mixing ratios have to be with the volume registers of the corresponding input stages. Please be sure that the input signals of the mixer stage are not higher than 1Vp. If summing up several signals, each has of course to be lower.

This shall insure that the output signal is also not higher than 1Vp to get a proper signal for the output amplifier. This stage has an automatic gain control, which automatically avoids clipping.

6.7.2 AGC

The audio mixer includes an AGC, which is limiting the signal to 1Vp. The AGC has 12 steps with a dynamic range of about 18dB. The AGC is ON by default but can be disabled by a register bit.

6.7.3 Register Description

The mixer stage has no direct associated registers.

Enabling the Summing / Mixer stage is done via a control bit in the audio settings register (AudioSet1 register 0x14h). Disabling the AGC is done via AudioSet2 register (0x15h).

6.8 Audio Settings

6.8.1 Register Description

First AudioSet Register (14h)

Table 26 AudioSet1 Register

Bit	Name	Description
7	ADC_on	1: ADC for recording is enables 0: ADC disabled
6	SUM_on	1: Summing / Mixing stage is enabled 0: Summing / Mixing stage is disabled (no audio output possible)
5	DAC_on	1: DAC enabled 0: DAC disabled
4	LOUT_on	1: Line output enabled 0: Line output disabled
3	LIN2_on	1: Line input 2 enabled 0: Line input 2 disabled
2	LIN1_on	1: Line input 1 enabled 0: Line input 1 disabled
1	MIC2_on	1: Microphone input 2 enabled 0: Microphone input 2 disabled
0	MIC1_on	1: Microphone input 1 enabled 0: Microphone input 1 disabled

The register is R/W; default value is 00h

Second AudioSet Register (15h)

Table 27 AudioSet2 Register

Bit	Name	Description
7	BIAS_off	1: Bias disabled 0: Bias enabled
6	DITH_off	1: no dither added 0: add dither to the audio stream
5	AGC_off	1: Automatic gain control for summing stage disabled 0: Automatic gain control for summing stage enabled
4,3	IBR_DAC<1:0>	Bias current reduction settings for DAC: 00: 0% 01: 25% 10: 40% 11: 50%
2	LSP_LP	Low power mode for speaker output: 1: speaker output driver set for 16Ohm load or more (25%) 0: speaker output driver set for 40hm to 16Ohm load (100%)
1,0	IBR_LSP<1:0>	Bias current reduction settings for speaker output: 00: 0% 01: 17% 10: 34% 11: 50%

The register is R/W; default value is 00h

Third AudioSet Register (16h)

Table 28 AudioSet3 Register

Bit	Name	Description
7..3	-	Not used
2	ZCU_off	Zero cross gain update of audio outputs 1: zero cross update disabled 0: zero cross update enabled
1	IBR_HPH	Bias current reduction settings for headphone output: 1: headphone output driver set for 32Ohm load or more (68%) 0: headphone output driver set for 160hm load (100%)
0	HPCM_off	Headphone common mode buffer settings: 1: headphone CM buffer is switched off 0: headphone CM buffer is switched on

The register is R/W; default value is 00h

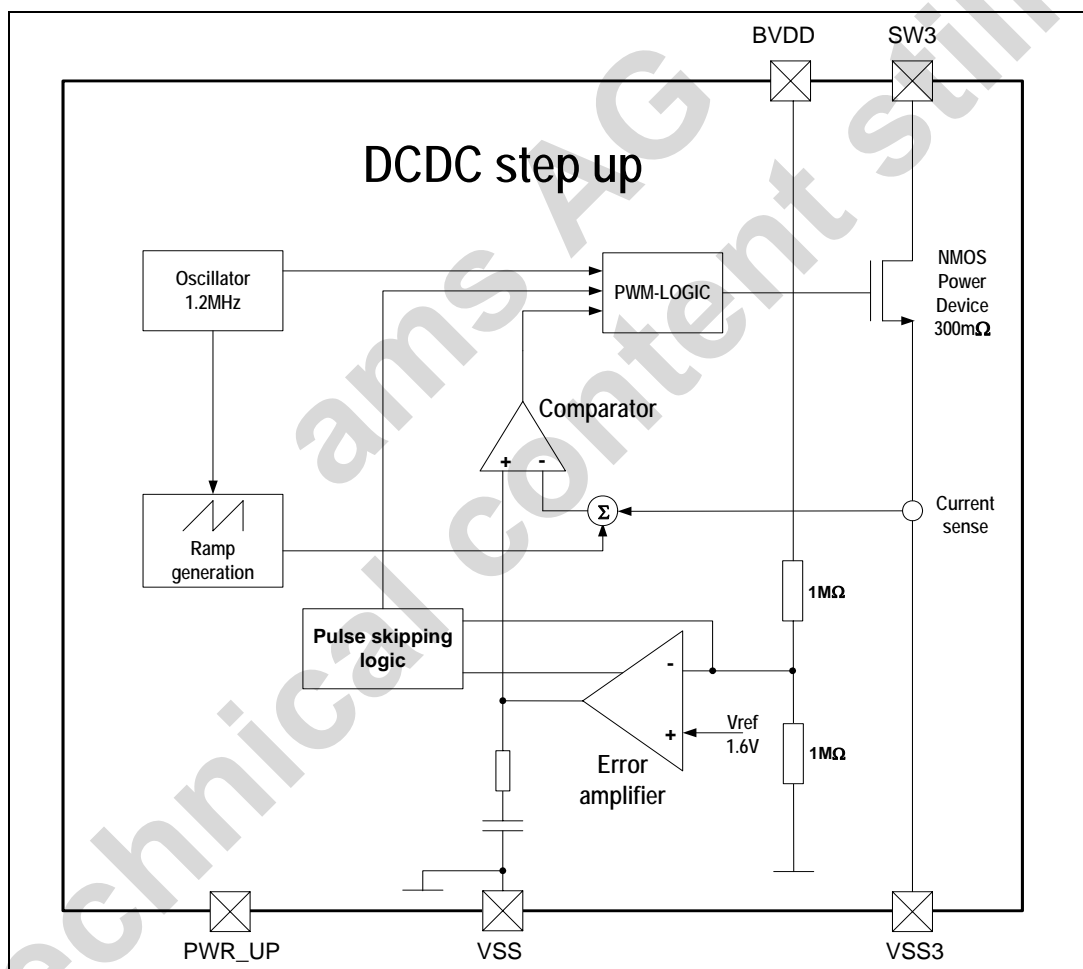
ams AG
Technical content still valid

6.9 3V Step-Up Converter

6.9.1 General

- Output voltage 3V to 3.6V (BVDD) programmable in 4 steps via DCDC3p bit to save power
- Input voltage 1V (1.2V) to 3V, voltages higher than that can be connected to BVDD directly
- Maximum output current to BVDD: 150mA
- Current mode operation
- On-chip compensation and feedback network
- On chip 300mΩ NMOS switch
- PWM mode with 1.2MHz switching frequency
- Inductor current limitation 850mA
- Pulse skipping capability
- Low quiescent current: 40μA in PFM-mode, 300μA in PWM mode
- ≤1μA shutdown current
- uses external coil (6.8uH) and Schottky diode (500mA)

Figure 9 DCDC Block Diagram



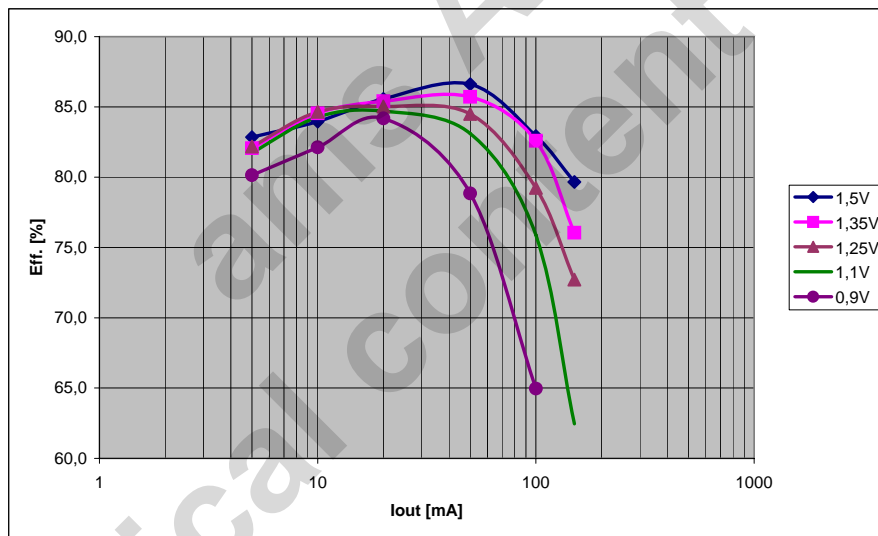
6.9.2 Parameter

Table 29 DCDC Boost Parameter

Symbol	Parameter	Notes	Min	Typ	Max	Unit
I _{VDD2.9}	Supply Current	Power down mode			5	μA
		PFM mode operation		40		μA
		PWM mode (low output load)		300		μA
V _{STARTUP}	Minimum Startup Voltage	R _{Load} >220Ω		1.0		V
V _{HOLD}	Hold-on Voltage	I _{OUT} =1mA, V _{BAT} falling from 1.5 to 0V		0.5		V
R _{SW_on}	Internal Switch R _{DS_ON}			300		mΩ
f _{SW}	Switching Frequency	Start-up, X3VOK=1	100	250	500	kHz
		PWM mode operation, X3VOK=0	0.9	1.2	1.42	MHz
t _{ON_min}	Minimum On-time			100		ns
t _{OFF_min}	Minimum Off-time			100		ns
η _{eff}	Efficiency	I _{OUT} =20mA, V _{in} =1.35		85		%
		I _{OUT} =50mA, V _{in} =1.5		87		%
I _{SW_LIM}	Current Limit	1.0V ≤ V _{B1V} ≤ 3.0V		0.85		A
I _{OUT}	Maximum Load Current	V _{B1V} =1.0V		150		mA
ΔV _{OUT}	Output Voltage Ripple	ΔI _{OUT} =100mA in 100μs			tbd.	mV

V_{in}=1.0..2.0V, C(V_{bat}) = 2.2μF ceramic || 2000μF elko, C(V_{reg}) = 3 x 2.2μF ceramic, L=DS1608 4.7μH, Temp = 25deg

Figure 10 DCDC Boost Typical Performance Characteristics



BVDD=3.1V, L=DS1608 4.7μH, Temp = 25deg

6.10 Low Drop Out Regulators

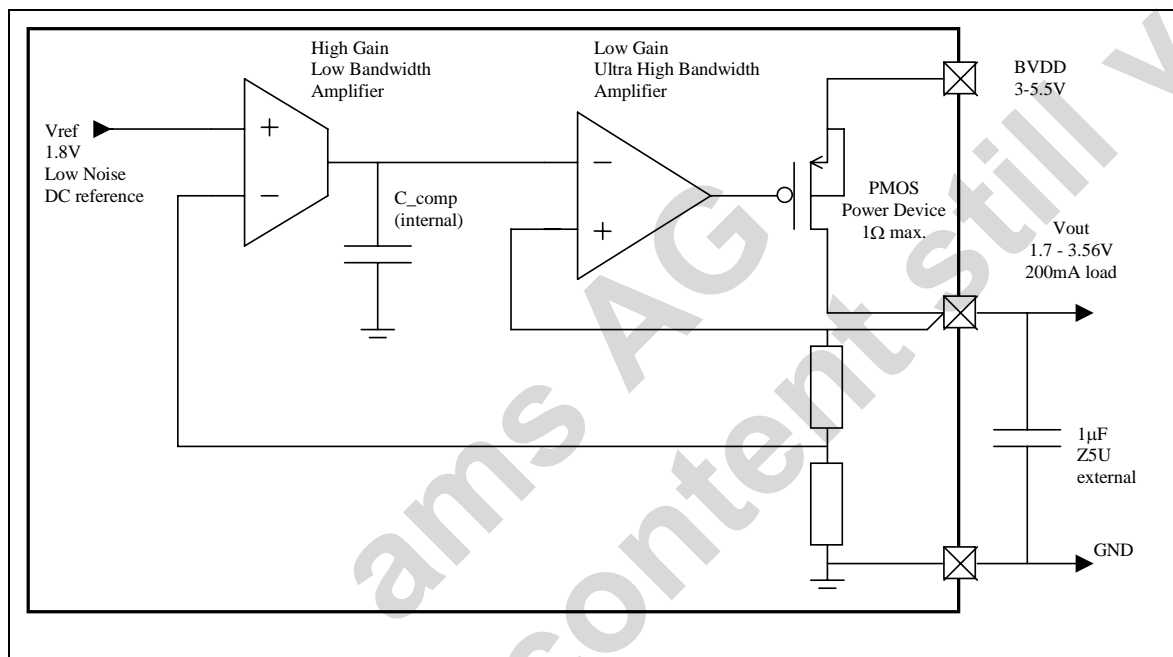
6.10.1 General

These LDO's are designed to supply sensitive analogue circuits, audio devices, AD and DA converters, micro-controller and other peripheral devices.

The design is optimised to deliver the best compromise between quiescent current and regulator performance for battery powered devices.

Stability is guaranteed with ceramic output capacitors of $1\mu\text{F} \pm 20\%$ (X5R) or $2.2\mu\text{F} \pm 100/-50\%$ (Z5U). The low ESR of these caps ensures low output impedance at high frequencies. Regulation performance is excellent even under low dropout conditions, when the power transistor has to operate in linear mode. Power supply rejection is high enough to suppress high ripple on the battery at the output. The low noise performance allows direct connection of noise sensitive circuits without additional filtering networks. The low impedance of the power device enables the device to deliver up to 150mA even at nearly discharged batteries without any decrease of performance.

Figure 11 LDO Block Diagram



6.10.2 LDO1

This LDO generates the analog supply voltage used for the AS3515 itself.

- Input voltage is BVDD
- Output voltage is AVDD (typ. 2.9V)

6.10.3 LDO2

This LDO generates the digital supply voltage used for the AS3515 itself, microprocessor peripheral supply and external components like SD-Cards, Nand-Flashes, FM-Radio...

- Input Voltage is BVDD
- Output Voltage is DVDD (typ. 2.9V)
- Driver strength: 200mA

6.10.4 LDO3

This LDO will be used to supply the periphery voltage for a microprocessor.

- Input Voltage BVDD
- Output Voltage is PVDD 1.7 to 3.3V
- Driver strength: 200mA
- Programmable via P_PVDD pin and PVDDp bit in 8 steps

Table 30 PVDD programming

P_PVDD	PVDDp=0	PVDDp=1
VSS	OFF	OFF
150k to VSS	2.50V	2.36V
Open	3.33V	3.15V
150k to DVDD	2.90V	2.74V
DVDD	1.80V	1.70V

6.10.5 LDO4

This LDO will be used to supply peripheral circuits. Default value is 3.3V, but it can be manually programmed to 3.1V if needed.

- Input Voltage BVDD
- Output Voltage is CPVDD (3.1 or 3.3)
- Programmable via CPVDDp bit.
- Driver strength: 200mA

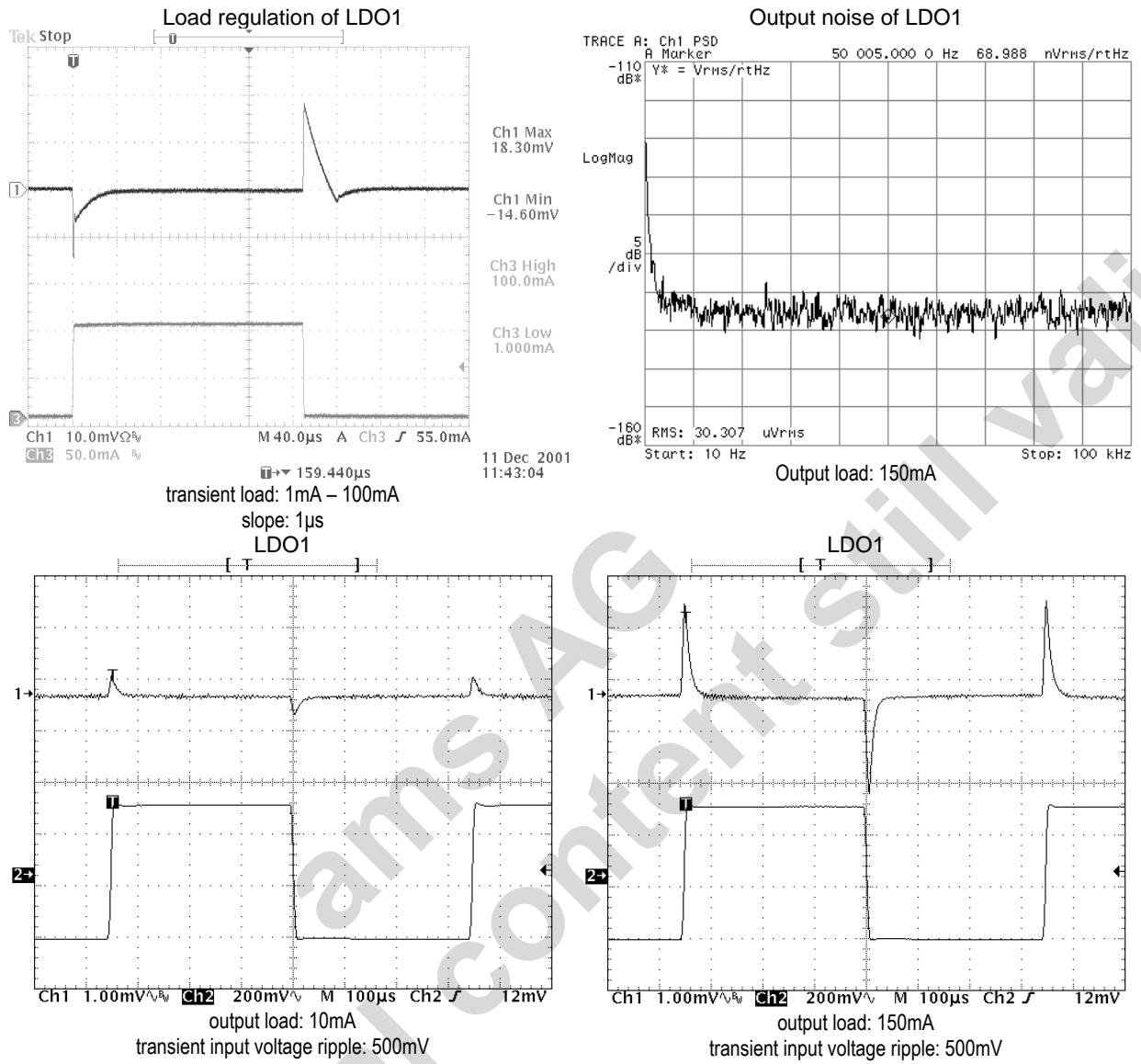
6.10.6 Parameter

Table 31 LDOs Block Characteristics

Symbol	Parameter	Notes	Min	Typ	Max	Unit
R _{ON}	On resistance				1	Ω
PSRR	Power supply rejection ratio	f=1kHz f=100kHz		70 40		dB
I _{OFF}	Shut down current				100	nA
I _{VDD}	Supply current	without load			50	μA
Noise	Output noise	10Hz < f < 100kHz			50	μV _{rms}
t _{start}	Startup time				200	μs
V _{out_tol}	Output voltage tolerance		-50		50	mV
V _{LineReg}	Line regulation	LDO1, Static		<1		mV
		LDO1, Transient; Slope: t _r =10μs		<10		
V _{LoadReg}	Load regulation	LDO1, Static		<1		mV
		LDO1, Transient; Slope: t _r =10μs		<10		
I _{LIMIT}	Current limitation	LDO1, LDO2, LDO3, LDO4		400		mA

BVDD=4V; I_{LOAD}=150mA; T_{amb}=25°C; C_{LOAD}=2.2μF (Ceramic); unless otherwise specified

Figure 12 LDO Typical Performance Characteristics



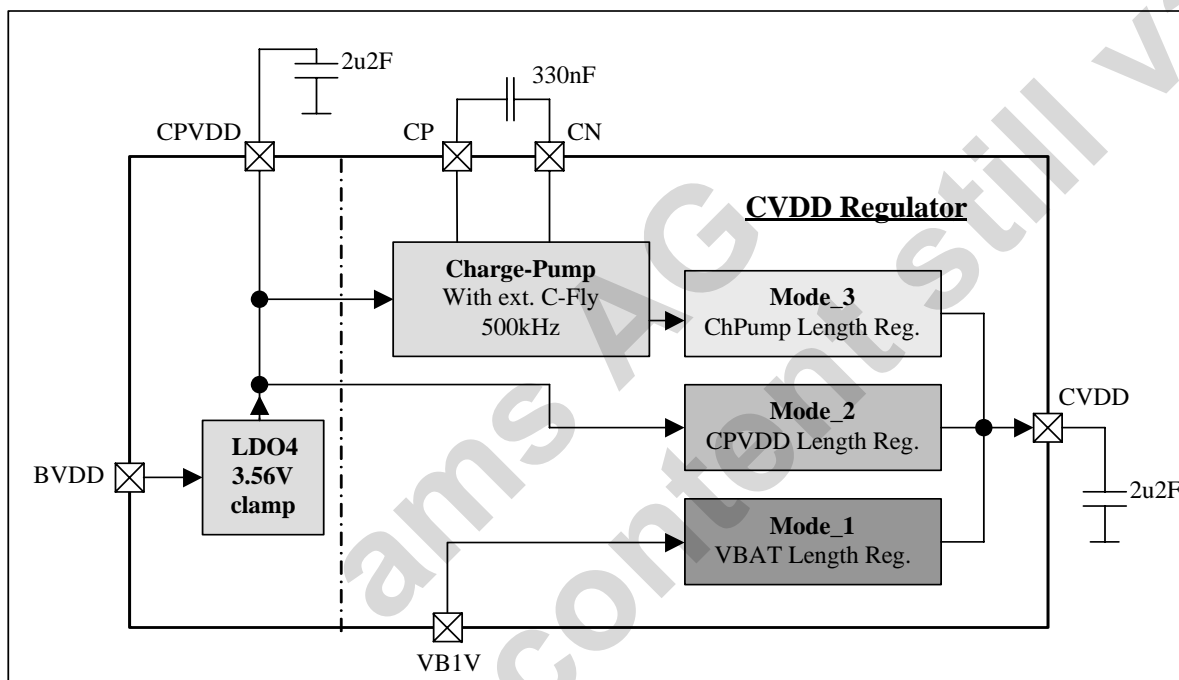
6.11 Charge-Pump Step-Down Converter

6.11.1 General

This converter will be used to supply the core voltage for a microprocessor.

- Input Voltage CPVDD
- Output Voltage 0.85 to 1.8 V
- Voltage setting via P_CVDD and CVDDp<1:0> bits in 16 steps
- regulated 2:1 charge pump with pulse skipping
- scaleable switches according to BVDD
- Bypass LDO for higher currents or lower battery voltages respectively
- Driver strength: 50mA / 200mA with bypass LDO

Figure 13 Charge Pump Block Diagram



6.11.2 Functional Description

To reduce the power consumption when using CVDDs below 1.8V, CPVDD is automatically set to 3.3V and can be further reduced to 3.1V if needed.

Table 32 CVDD programming

P_CVDD	CVDD	CPVDD	
		CPVDDp=0	CPVDDp=1
VSS	OFF	3.3V	3.1V
150k to VSS	1.0V	3.3V	3.1V
Open	1.2V	3.3V	3.1V
150k to DVDD	1.5V	3.3V	3.1V
DVDD	1.8V	3.56V	3.56V

Additional the CVDD voltage can be trimmed with two register bits in the range of 0mV to -150mV

Table 33 CVDD trimming

CVDDp<1:0>		CVDD
0	0	Vnom (see)
0	1	Vnom - 50mV
1	0	Vnom - 100mV
1	1	Vnom - 150mV

This gives 0.85V to 1.8V as total range of the CVDD voltage.

Table 34 CVDD programming range

P_CVDD	CVDDp=11	CVDDp=10	CVDDp=01	CVDD=00
VSS	OFF	OFF	OFF	OFF
150k to VSS	0.85V	0.90V	0.95V	1.00V
Open	1.15V	1.10V	1.15V	1.20V
150k to DVDD	1.35V	1.40V	1.45V	1.50V
DVDD	1.65V	1.70V	1.75V	1.80V

Three different functional paths generate CVDD:

- Direct length regulation from VB1V

Mode1=true IF ((VNOM+Vmargin1) < VB1V < (VTH1)) && (NoUSB)

Vmargin1=50mV/150mV (100mV Hysteresis)

VTH1=1.7V/1.8V (100mV Hysteresis)

 - VBAT LDO is used when VB1V>(VNOM+50mV) because length reg. is a 1ohm device.
 - VBAT LDO is used when VB1V<(1.8V) since Mode1 is efficient just with single battery cell.
 - VBAT LDO is not used when there is high supply present from USB even when VB1V is in range.
 - (there is no dependency on CHARGER_IN needed because with a charger a 4V Lilo battery is used anyway)
- Direct length regulation from CPVDD

Mode2=true IF ((Not Mode1) && (CPVDD < (VNOM+Vmargin2)))

Vmargin2=200mV/300mV (100mV Hysteresis)

 - CPVDD LDO is used when VBAT LDO Mode1 is not entered and
 - CPVDD is not high enough to do 2:1 charge-pump regulation.
- Charge-Pump CPVDD division by 2 active plus length regulation

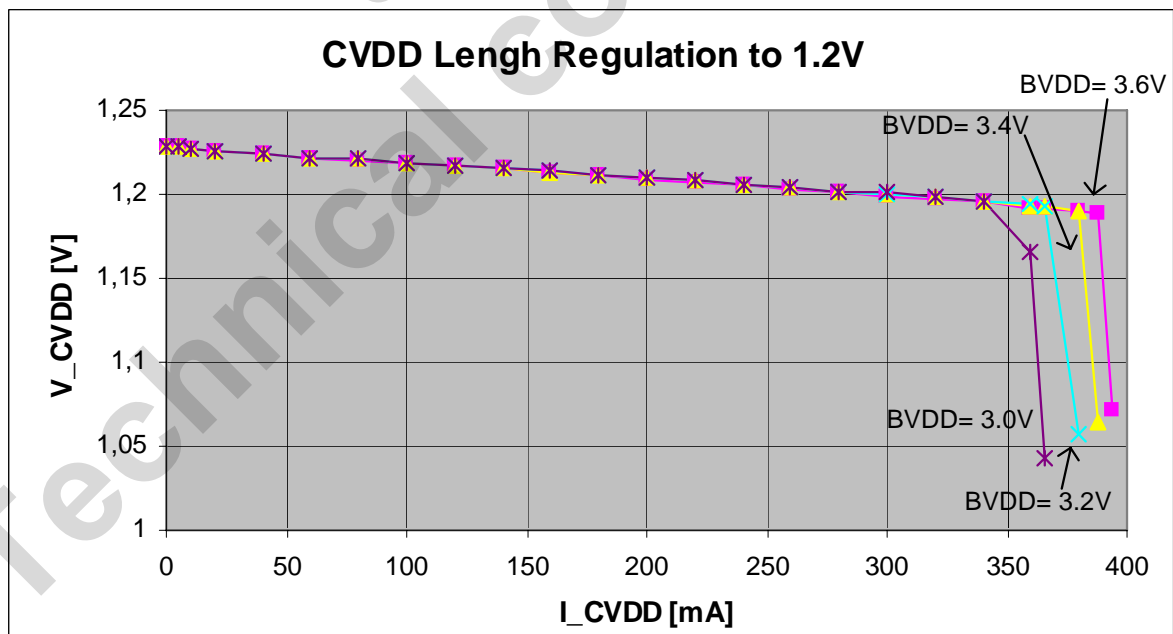
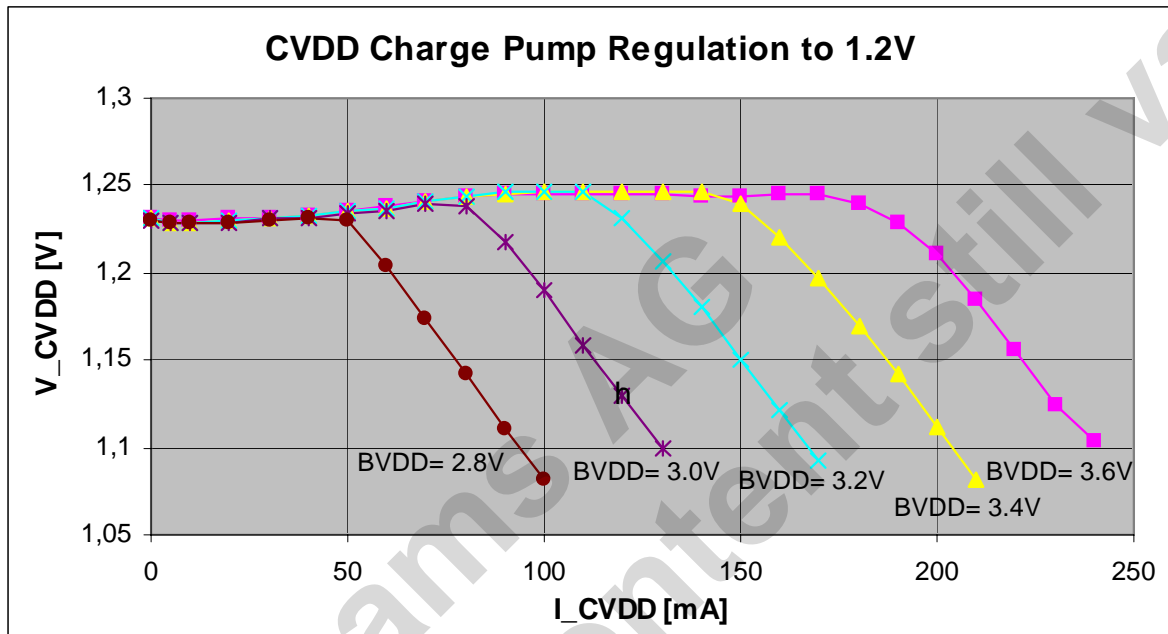
Mode3=true IF ((Not Mode1) && (Not Mode2))

6.11.3 Parameter

Table 35 CVDD Charge Pump Parameter

Symbol	Parameter	Notes	Min	Typ	Max	Unit
V _{OUT}	Regulated output voltage		0.85		1.8	V
V _{OUT_tol}	Output voltage tolerance		-50		50	mV
I _{load}	Maximum Load current	CP mode		50		mA
		LDO mode		200		
I _{LIMIT}	Current limitation	LDO mode		400		mA

Figure 14 CVDD Charge Pump Typical Performance Characteristics



6.12 SYSTEM

6.12.1 General

The system block handles the power up and power down of the AS3515.

6.12.2 Power Up

The AS3515 powers up when one of the following conditions is true:

- High signal on the PWR_UP pin (>80ms, >1V)
- Input voltage on the UVDD pin (USB plug in: >80ms, BVDD>3V, UVDD>4.5V)
- Input voltage on the CHG_IN pin (charger plug in: >80ms, BVDD>3V, CHG_IN>4.0V)

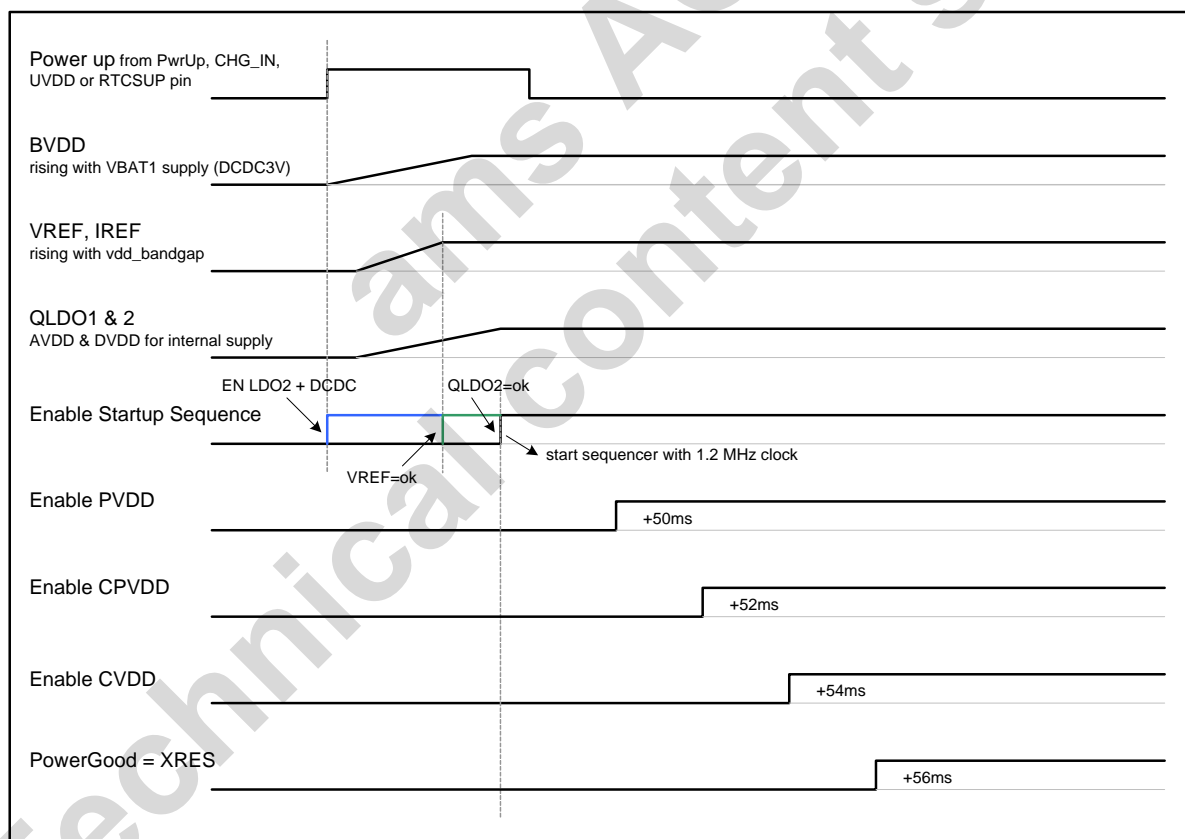
To hold the chip in power up mode the PwrUpHld bit in the SYSTEM register (0x20h) is set.

6.12.3 Power Down

The chip automatically shuts off if one of the following conditions arises:

- Clearing the PwrUpHld bit in SYSTEM register (0x20h)
- I2C watchdog power down if enabled
- BVDD drops below the minimum threshold voltage (2.6V)
- Junction temperature reaches maximum threshold, set in SUPERVISOR register (0x24h)
- High signal on the PWR_UP pin for more than 11s.

Figure 15 Power Up Timing



6.12.4 Parameter

Table 36 System Block Characteristics

Symbol	Parameter	Notes	Min	Typ	Max	Unit
	DVDD_POR_OFF			2.15		V
	DVDD_POR_ON			2.0		V
	POR_ON/OFF_HYST			100		mV
LRCK WATCHDOG						
	F(LRCK)_WD_OFF		2	4.1	8	kHz
	ON_Delay			50		us
Digital Outputs						
V _{oL}		IRQ, PWGOOD @ 8 mA	-	-	0.3	V
V _{oH}		IRQ @ 8 mA, push/pull mode only	2.6	-	-	V
I _{pullup}		IRQ, PWGOOD		10		uA

BVDD = 3.3V, DVDD = 2.9V, T_A = 25°C unless otherwise mentioned

6.12.5 Register Description

SYSTEM Register (20h)

Table 37 System Register

Bit	Name	Description
7..4	Version <3:0>	Unique number to identify the design version 0101: revision 6
3	PVDDp	PVDD trimming: 0: V _{nom} 1: V _{nom} *17/18
2	CPVDDp	CPVDD trimming: 0: V _{nom} 3.3 or 3.56V depending on CVDD 1: 3.1V if CVDD is 1.5V or smaller
1	EnWDogPwDn	0: forced power down through watchdog is disabled 1: forced power down through watchdog is enabled
0	PwrUpHld	0: power up hold is cleared and supply is switched off 1: set to on after power on

The register is R/W (bits 7 to 4 are read only); default value is 21h

CVDD / DCDC3 Register (21h)

Table 38 CVDD / DCDC3 Register

Bit	Name	Description
7	CP_SW	charge pump / length regulator switch margin reduction 0: margin set to 200/300 mV 1: margin reduced to 150/225 mV (automatic switching to length regulator is done "later", at a lower input voltage)
6	CP_on	0: normal operation 1: keeps Mode 3 charge pump always on Please note that bit 2 = "0", overrides bit 6.
5	LREG_CPnot	write: For testing purpose only, must be set to 0h read: 0: CP is working 1: LREG is working
4,3	DCDC3p	DCDC3 Vout programming 00: 3.6V 01: 3.2V 10: 3.1V 11: 3.0V
2	LREG_off	0: keeps Mode 2 length regulator always on 1: normal operation
0,1	CVDDp1	CVDD trimming: 00: Vnom 01: Vnom -50mV 10: Vnom -100mV 11: Vnom - 150mV

The register is R/W; default value is 20h

6.13 Charger

6.13.1 General

This block can be used to charge a 4V Li-Io accumulator. It supports constant current and constant voltage charging modes with adjustable charging currents (50 to 400mA) and maximum charging voltage (3.9 to 4.25V).

6.13.2 Trickle Charge

If the battery voltage is below 3V, the charger goes automatically in trickle charge mode with 50mA charging current and 3.9V endpoint voltage. In this mode charging current and voltage are not precise, but provide a charger function also for deep discharged batteries. Also the temperature supervision

6.13.3 Temperature Supervision

This charger block also features a supply for an external 100k NTC resistor to measure the battery temperature while charging. If the temperature is too high, an interrupt can be generated.

6.13.4 Parameter

Table 39 Charger Parameter

Symbol	Parameter	Notes	Min	Typ	Max	Unit
I _{CHG_trick}	Charging Current (trickle charge)	BVDD ≤ 3V, CHG_IN = 4.5V - 5.5V	25	50	100	mA
V _{CHG_trick}	Charger Endpoint Voltage (trickle charge)	BVDD ≤ 3V, CHG_IN = 4.5V		0.72* CHG_IN	4.1	V
I _{CHG (0-7)}	Charging Current	BVDD > 3V, I _{CHG} = 150 - 400mA	I _{NOM} -20%	I _{NOM}	I _{NOM} +20%	mA
V _{CHG (0-7)}	Charging Voltage	BVDD > 3V, end of charge is true	V _{NOM} -60mV	V _{NOM}	V _{NOM} +30mV	V
V _{ON_ABS}	Charger On Voltage IRQ	BVDD = 3V		3.1	4.0	V
V _{ON_REL}	Charger On Voltage IRQ	CHG_IN-CHG_OUT		170	240	mV
V _{OFF_REL}	Charger Off Voltage IRQ	CHG_IN-CHG_OUT	40	77		mV
V _{BATEMP_ON}	Battery Temp. high level	BVDD > 3V	380	400	420	mV
V _{BATEMP_OFF}	Battery Temp. low level	BVDD > 3V	480	500	520	mV
I _{CHG_OFF}	End Of Charge current level	BVDD > 3V		10% I _{NOM}		mA
I _{REV_OFF}	Reverse current shut down	CHG_OUT = 5V, CHG_IN = VSS		<1		uA

BVDD=3.6V; T_{amb}=25°C; unless otherwise specified

6.13.5 Register Description

End of charge and battery over-temperature interrupts can be generated with the corresponding bits in the IRQ_ENRD0 register (0x25h). Also the status of the charger (supply present or not) can be monitored via this register and if needed an interrupt is generated on a status change.

All other charger functions are controlled in the following register.

Charger Register (22h)

Table 40 Charger Register

Bit	Name	Description
7	TMPSup_off	0: enables supply for external 100k NTC resistor 1: disables supply
6..4	CHG_I	set maximum charging current 111: 400 mA 110: 350 mA .. 001: 100 mA 000: 50 mA
3..1	CHG_V	set maximum charger voltage 111: 4.25 V 110: 4.2 V .. 001: 3.95 V 000: 3.9 V
0	CHG_OFF	0: enables Charger 1: disables Charger

The register is R/W; default value is 00h

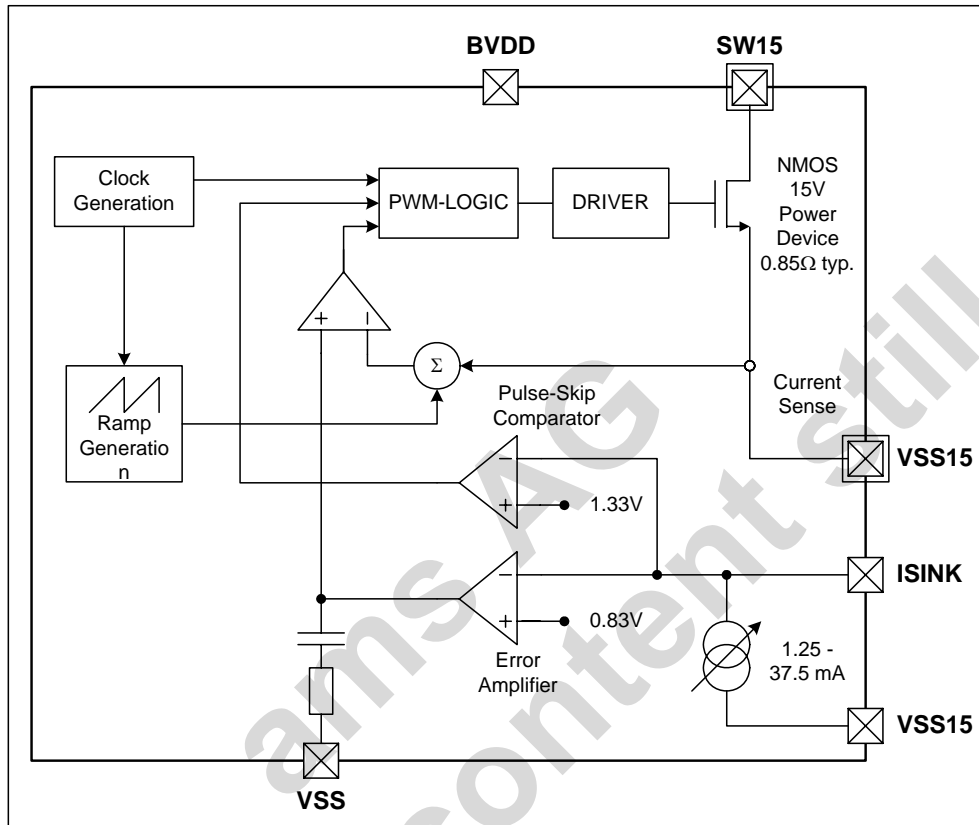
6.14 15V Step-Up Converter

6.14.1 General

The integrated Step-Up DC/DC Converter is a high efficiency current-mode PWM regulator, providing an output voltage up to 15V. A constant switching-frequency results in a low noise on supply and output voltages.

It has an adjustable sink current (1.25 to 38.75mA) to provide e.g. dimming function when driving white LEDs as back-light.

Figure 16 15V Step-Up converter Block Diagram



6.14.2 Parameter

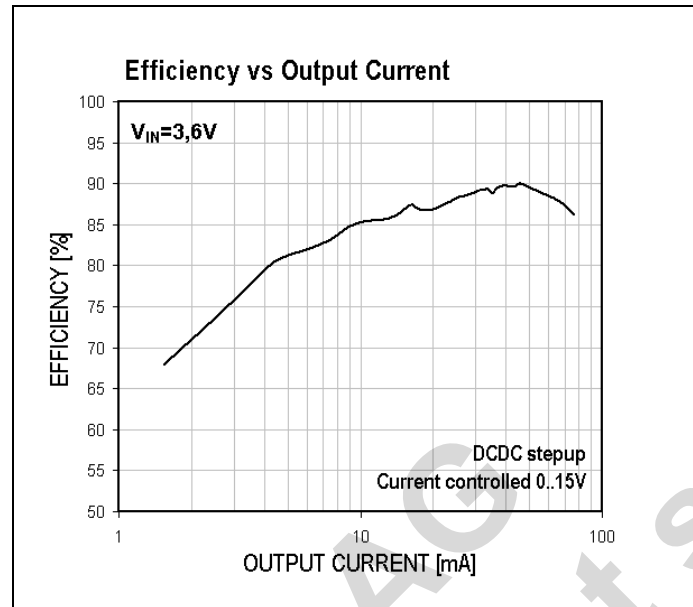
Table 41 15V Step-Up Converter Parameter

Symbol	Parameter	Notes	Min	Typ	Max	Unit
V _{SW}	High Voltage Pin	Pin SW15	0		15	V
I _{VDD}	Quiescent Current	Pulse Skipping mode		140		μA
V _{FB}	Feedback Voltage, Transient	Pin ISINK	0		5.5	V
V _{FB}	Feedback Voltage, during Regulation	Pin ISINK		0.83		V
I _{SW_MAX}	Current Limit	V15_ON = 1		510		mA
R _{SW}	Switch Resistance	V15_ON = 0		0.85		Ω
I _{LOAD}	Load Current	@ 15V output voltage	0		38.75	mA
V _{PULSESKIP}	Pulse-skip Threshold	Voltage at pin ISINK, pulse skips are introduced when load current becomes too low.		1.33		V
F _{IN}	Fixed Switching Frequency			0.6		MHz
C _{OUT}	Output Capacitor	Ceramic		1		μF
L (Inductor)	I _{LOAD} > 20mA	Use inductors with small C _{PARASITIC} (<100pF) for high efficiency	17	22	27	μH
	I _{LOAD} < 20mA		8	10	27	

Symbol	Parameter	Notes	Min	Typ	Max	Unit
t_{MIN_ON}	Minimum On-Time		90		180	ns
MDC	Maximum Duty Cycle	Guaranteed per design	88	91	94	%

BVDD=3.6V; T_{amb} =25°C; unless otherwise specified

Figure 17 15V Step-Up Performance Characteristics



6.14.3 Register Description

All functions can be controlled via the following register.

DCDC15 Register (23h)

Table 42 DCDC15 Register

Bit	Name	Description
7..5	Reserved	For testing purpose only, must be set to 0h
4..0	I_V15<4..0>	Defines the current through the LED = 1.25mA * I_V15 00000: off 00001: 1.25mA 00010: 2.5mA .. 11110: 37.5mA 11111: 38.75mA

The register is R/W; default value is 00h

6.15 Supervisor

6.15.1 General

This supervisor function can be used for automatic detection of BVDD brown out or junction over-temperature condition.

6.15.2 BVDD Supervision

The supervision level can be set in 8 steps @ 60mV from 2.74 to 3.16V. If the level is reached an interrupt can be generated. If BVDD reaches 2.6V the AS3515 shuts down automatically.

6.15.3 Junction Temperature Supervision

The temperature supervision level can also be set by 5 bits (120 to -15°C). If the temperature reaches this level, an interrupt can be generated. The over-temperature shutdown level is always 20°C higher. If the IRQ level is set to 120°C the shutdown is disabled.

6.15.4 Register Description

Interrupts for battery supervision has to be enabled in the IRQ_ENRD0 register (0x25h), while the over-temperature interrupt is controlled via the IRQ_ENRD1 register (0x26h). All other functions can be set via the following register.

SUPERVISOR Register (24h)

Table 43 Supervisor Register

Bit	Name	Description																					
7..5	BVDD_Sup<2:0>	Supervision of BVDD brown out $V_{BrownOut}=2.74+x*60mV$ 000: 2.74V 001: 2.80V ... 110: 3.10V 111: 3.16V																					
4..0	JT_Sup<4:0>	Junction temperature supervision: $Temp_ShutDown=140-x*5^{\circ}C$ $Temp_IRQ=120-x*5^{\circ}C$ <table border="1"><thead><tr><th>JT_Sup</th><th>IRQ</th><th>ShutDown</th></tr></thead><tbody><tr><td>00000</td><td>120°C</td><td>OFF</td></tr><tr><td>00001</td><td>115°C</td><td>135°C</td></tr><tr><td>00010</td><td>110°C</td><td>130°C</td></tr><tr><td>:</td><td>:</td><td>:</td></tr><tr><td>11110</td><td>-30°C</td><td>-10°C</td></tr><tr><td>11111</td><td>-35°C</td><td>-15°C</td></tr></tbody></table>	JT_Sup	IRQ	ShutDown	00000	120°C	OFF	00001	115°C	135°C	00010	110°C	130°C	:	:	:	11110	-30°C	-10°C	11111	-35°C	-15°C
JT_Sup	IRQ	ShutDown																					
00000	120°C	OFF																					
00001	115°C	135°C																					
00010	110°C	130°C																					
:	:	:																					
11110	-30°C	-10°C																					
11111	-35°C	-15°C																					

The register is R/W; default value is 00h

6.16 Interrupt Generation

6.16.1 General

All interrupt sources can get enabled or disabled by corresponding bits in the 3 IRQ-bytes. By default no IRQ source is enabled.

The IRQ output can get configured to be PUSH/PULL or OPEN_DRAIN and ACTIVE_HIGH or ACTIVE LOW with 2 bits in IRQ_ENRD2 register (0x27h). Default state is push/pull and active_high.

6.16.2 IRQ Source Interpretation

There are 3 different modules to process interrupt sources:

LEVEL

The IRQ output is kept active as long as the interrupt source is present and this IRQ-Bit is enabled

EDGE

The IRQ gets active with a high going edge of this source. The IRQ stays active until the corresponding IRQ-Register gets read.

STATUS CHANGE

The IRQ gets active when the source-state changes. The change bit and the status can be read to notice which interrupt was the source. The IRQ stays active until the corresponding interrupt register gets read.

6.16.3 De-bouncer

There is a de-bouncer function implemented for USB and CHARGER. Since these 2 signals can be unstable for the phase of plug-in or unplug, a de-bounce time of 512ms/256ms/128ms/0ms can be selected by 2 bits in the IRQ_ENRD2 register (0x27h).

6.16.4 Register Description

First Interrupt Register (25h)

Table 44 IRQ_ENRD0 Register

Bit	Name	Int. Type	Description
7	CHG_tmphigh	Level	1: battery temperature was too high and the charger was turned off
6	CHG_endofch	Edge	1: charging is complete, turn charger off After turning off the charger, IRQ will be released.
5	CHG_status		1: charger connected, also valid if charger is connected during wakeup
4	CHG_changed	Status change	1: charger status changed, check CHG_status
3	USB_status		1: USB connected, also valid if USB is connected during wakeup
2	USB_changed	Status change	1: USB status changed, check UB_status
1	RVDD_waslow	Level	1: if RTC supply was low, RTC not longer valid IRQ will be released by any I2C action.
0	BVDD_islow	Level	1:BVDD has reached brown out level

The register is R/W; default value is 00h

By writing to the register the corresponding interrupt is enabled, reading the register delivers the interrupt source.

Second Interrupt Register (26h)

Table 45 IRQ_ENRD1 Register

Bit	Name	Int. Type	Description
7	JTEMP_high	Level	1: Junction temperature has reached supervision level
6	LSP_overcurr	Level	1: LSP output is in over-current off mode
5	HPH_overcurr	Level	1: HPH output is in over-current off mode
4	I2S_status		1: LRCK of I2S interface is present
3	I2S_changed	Status change	1: I2S LRCK clock was started or stopped, check I2S_status
2	MIC2_connect	Level	1: Microphone was connected to MIC port 2 IRQ will be released after enabling the microphone stage. Detecting a microphone during operation has to be done by measuring the supply current.
1	MIC1_connect	Level	1: Microphone was connected to MIC port 1 IRQ will be released after enabling the microphone stage. Detecting a microphone during operation has to be done by measuring the supply current.
0	HPH_connect	Level	1: Headphone was connected to HHP port IRQ will be released after enabling the headphone output. Detecting a headphone during operation is not possible.

The register is R/W; default value is 00h

By writing to the register the corresponding interrupt is enabled, reading the register delivers the interrupt source.

Third Interrupt Register (27h)

Table 46 IRQ_ENRD2 Register

Bit	Name	Int. Type	Description
7..6	T_deb<1:0>	-	USB and charger de-bounce time control 00: 512ms 01: 256ms 10: 128ms 00: not defined
5	IRQ_Acthigh	-	1: IRQ is active high 0: IRQ is active low
4	IRQ_PushPull	-	1: IRQ output is push pull 0: IRQ output is open drain
3	Remote_Det2	Edge	1: Mic2 supply current got increased, Remote detection → measure Mic2 supply current
2	Remote_Det1	Edge	1: Mic1 supply current got increased, Remote detection → measure Mic1 supply current
1	RTC_update	Edge	1: RTC timer IRQ occurred
0	ADC_EndCon	Edge	1: 8-bit ADC conversion completed

The register is R/W; default value is 00h

By writing to bit 0 to 3, the corresponding interrupt is enabled, reading these bits delivers the interrupt source.

6.17 Real Time Clock

6.17.1 General

The real time clock block is an independent block, which is still working even the AS3515, is shut down. The block uses a standard 32kHz crystal that is connected to a low power oscillator. An internal 32bit second register stores the current time.

The RTC block has special functions for trimming the time base and generating interrupts every second or minute.

6.17.2 RTC supply

The internal RTC is supplied via the RTCSUP pin. The block has an internal LDO to generate the RTC supply voltage on RVDD pin. This voltage can be programmed via the RTCV register (0x28h). If the internal RTC is not used, RVDD can be used to supply an external RTC block.

If the supply voltage on RTCSUP pin rises, the whole AS3515 gets powered up.

6.17.3 Register Description

A RTCSUP low condition can be signalled by an interrupt request, if the corresponding bit in the IRQ_ENRD0 register (0x25h) is set. To get a second or minute interrupt the enable bit in IRQ_ENRD2 register (0x27h) All other RTC functions can be controlled and accessed via the following registers.

RTCV Register (28h)

Table 47 RTCV Register

Bit	Name	Description
7..4	VRTC<3..0>	Sets the RTC supply voltage, 16 steps @ 0.1V, default is 1.2V 0000: 1V 0001: 1.1V 0010: 1.2V ... 1110: 2.4V 1111: 2.5V
3,2	Reserved	For testing purpose only, must be set to 0h
1	RTC_ON	0: Disable clock for RTC 1: Enables clock for RTC
0	OSC_ON	0: Disables RTC oscillator 1: Enables RTC oscillator

The register is R/W; default value is 23h

RTCT Register (29h)

Table 48 RTCT Register

Bit	Name	Description
7	IRQ_MIN	0: generates an interrupt every second 1: generates an interrupt every minute
6..0	TRTC<6..0>	Trimming register for RTC, 128 steps @ 7.6ppm 000000: 1 (7.6ppm) 000001: 2 (15.2ppm) ... 100000: 64 (488ppm) ... 111110: 126 (960.8ppm) 111111: 127 (968.4ppm)

The register is R/W; default value is 40h

RTC Registers (2Ah to 2Dh)

Table 49 RTC_0 to RTC_3 Register

Addr	Name	Bit 7	Bit 6	Bit 5	Bit 4	Bit 3	Bit 2	Bit 1	Bit 0	Description
2Ah	RTC_0	Qrtc<7>	Qrtc<6>	Qrtc<5>	Qrtc<4>	Qrtc<3>	Qrtc<2>	Qrtc<1>	Qrtc<0>	second register 0
2Bh	RTC_1	Qrtc<15>	Qrtc<14>	Qrtc<13>	Qrtc<12>	Qrtc<11>	Qrtc<10>	Qrtc<9>	Qrtc<8>	second register 1
2Ch	RTC_2	Qrtc<23>	Qrtc<22>	Qrtc<21>	Qrtc<20>	Qrtc<19>	Qrtc<18>	Qrtc<17>	Qrtc<16>	second register 2
2Dh	RTC_3	Qrtc<31>	Qrtc<30>	Qrtc<29>	Qrtc<28>	Qrtc<27>	Qrtc<26>	Qrtc<25>	Qrtc<24>	second register 3

The registers are R/W; default value is 00h

6.18 10-Bit ADC

6.18.1 General

This general purpose ADC can be used for measuring several voltages and currents to perform functions like battery monitor, temperature supervision, button press detection, etc..

6.18.2 Input Sources

Table 50 ADC10 Input Sources

Nr.	Source	Range	LSB	Description
0	BVDD	5.120V	5mV	check battery voltage of 4V Lilo accumulator
1	RTCSUP	5.120V	5mV	check RTC backup battery voltage
2	UVDD	5.120V	5mV	check USB host voltage
3	CHG_IN	5.120V	5mV	check charger input voltage
4	CVDD	2.560V	2.5mV	check charge pump output voltage
5	BatTemp	2.560V	2.5mV	check battery charging temperature
6	MicSup1	2.560V	2.5mV	check voltage on MicSup1 for remote control or external voltage measurement
7	MicSup2	2.560V	2.5mV	check voltage on MicSup2 for remote control or external voltage measurement
8	VBE1	1.024	1mV	measuring junction temperature @ 2uA
9	VBE2	1.024	1mV	measuring junction temperature @ 1uA
10	I_MicSup1	2.048mA typ.	2.0uA	check current of MicSup1 for remote control detection
11	I_MicSup2	2.048mA typ.	2.0uA	check current of MicSup2 for remote control detection
12	VB1V	2.560V	2.5mV	check single cell battery voltage
13..15	Reserved	1.024V	1mV	for testing purpose only

BVDD, RTCSUP, UVDD, CHG_IN

These sources are fed into an 1/5 voltage divider (180k Ω typ.) and further amplified by 2.5.

CVDD, BatTemp, MicSup1, MicSup2

These sources are fed directly to the ADC input multiplexer.

VBE1, VBE2

These inputs are first amplified by 2.5 and then fed to the ADC input multiplexer.

I_MicSup1, I_MicSup2

The measurement of the microphone supply LDOs is not very accurate, as the current-voltage conversion is only done by a single resistor which shows wide process and temperature variations. These measurements should be only used for remote function detection.

VB1V

This source is divided by 2.5 with a voltage divider (180k Ω typ.) and then amplified by 2.5. This has to be done, as VB1V can represent voltages up to 3.6V. Please note, that the maximum measurement range will be still 2.560V

6.18.3 Reference

AVDD=2.9V is used as reference to the ADC. AVDD is trimmed to +/-20mV with over all precision of +/-29mV. So the absolute accuracy is +/-1%.

6.18.4 Parameter

Table 51 ADC10 Parameter

Symbol	Parameter	Notes	Min	Typ	Max	Unit
R _{DIV}	Input Divider Resistance	BVDD, RTCSUP, UVDD, CHG_IN, VB1V	138k	180k	234k	Ω
ADC _{FS}	ADC Full Scale Range		2.534	2.56	2.586	V
Ratio1	Division Factor 1	BVDD, RTCSUP, UVDD, CHG_IN	0.198	0.2	0.202	1
Ratio2	Division Factor 2	VB1V	0.396	0.4	0.404	1
Gain	ADC Gain Stage		2.475	2.5	2.525	V
T _{CON}	Conversion Time		-	34	50	μs
I _{MICFS}	I_MicSup1/2 Full Scale Range		1.4	2	2.8	mA

BVDD=3.6V; T_{amb}=25°C; unless otherwise specified

6.18.5 Register Description

The conversion gets started by writing to the ADC_0 register (0x2Eh). After finishing the conversion an interrupt request can be generated if the corresponding bit in the IRQ_ENRD2 register (0x27h) is set. Conversion source and result can be set / read with the following two registers.

ADC_0 Register (2Eh)

Table 52 ADC_0 Register

Bit	Name	Description
7..4	ADC_Source	0000: BVDD 0001: RTCSUP 0010: UVDD 0011: CHG_IN 0100: CVDD 0101: BatTemp 0110: MicSup1 0111: MicSup2 1000: VBE_1uA 1001: VBE_2uA 1010: I_MicSup1 1011: I_MicSup2 1100: VB1V 1101: reserved 1110: reserved 1111: reserved
3,2	-	Not used
1	ADC<9>	ADC result bit 10
0	ADC<8>	ADC result bit 9

The register is R/W; default value is 000000xxb

ADC_1 Register (2Fh)

Table 53 ADC_1 Register

Bit	Name	Description
7	ADC<7>	ADC result bit 8
6	ADC<6>	ADC result bit 7
5	ADC<5>	ADC result bit 6
4	ADC<4>	ADC result bit 5
3	ADC<3>	ADC result bit 4
2	ADC<2>	ADC result bit 3
1	ADC<1>	ADC result bit 2
0	ADC<0>	ADC result bit 1

The register is R/W; default value is xxh

ams AG
Technical content still valid

6.19 128 bit Fuse Array

6.19.1 General

This fuse array is used to store a unique identification number, which can be used for DRM issues. The number is randomly generated and programmed during the production process.

6.19.2 Register Description

UID Registers (30h to 3Fh)

Table 54 UID_0 to UID_15 Register

Addr	Name	Bit 7	Bit 6	Bit 5	Bit 4	Bit 3	Bit 2	Bit 1	Bit 0	Description
30h	UID_0	ID<7>	ID<6>	ID<5>	ID<4>	ID<3>	ID<2>	ID<1>	ID<0>	Unique ID byte 0
31h	UID_1	ID<15>	ID<14>	ID<13>	ID<12>	ID<11>	ID<10>	ID<9>	ID<8>	Unique ID byte 1
32h	UID_2	ID<23>	ID<22>	ID<21>	ID<20>	ID<19>	ID<18>	ID<17>	ID<16>	Unique ID byte 2
33h	UID_3	ID<31>	ID<30>	ID<29>	ID<28>	ID<27>	ID<26>	ID<25>	ID<24>	Unique ID byte 3
34h	UID_4	ID<39>	ID<38>	ID<37>	ID<36>	ID<35>	ID<34>	ID<33>	ID<32>	Unique ID byte 4
35h	UID_5	ID<47>	ID<46>	ID<45>	ID<44>	ID<43>	ID<42>	ID<41>	ID<40>	Unique ID byte 5
36h	UID_6	ID<55>	ID<54>	ID<53>	ID<52>	ID<51>	ID<50>	ID<49>	ID<48>	Unique ID byte 6
37h	UID_7	ID<63>	ID<62>	ID<61>	ID<60>	ID<59>	ID<58>	ID<57>	ID<56>	Unique ID byte 7
38h	UID_8	ID<71>	ID<70>	ID<69>	ID<68>	ID<67>	ID<66>	ID<65>	ID<64>	Unique ID byte 8
39h	UID_9	ID<79>	ID<78>	ID<77>	ID<76>	ID<75>	ID<74>	ID<73>	ID<72>	Unique ID byte 9
3Ah	UID_10	ID<87>	ID<86>	ID<85>	ID<84>	ID<83>	ID<82>	ID<81>	ID<80>	Unique ID byte 10
3Bh	UID_11	ID<95>	ID<94>	ID<93>	ID<92>	ID<91>	ID<90>	ID<89>	ID<88>	Unique ID byte 11
3Ch	UID_12	ID<103>	ID<102>	ID<101>	ID<100>	ID<99>	ID<98>	ID<97>	ID<96>	Unique ID byte 12
3Dh	UID_13	ID<111>	ID<110>	ID<109>	ID<108>	ID<107>	ID<106>	ID<105>	ID<104>	Unique ID byte 13
3Eh	UID_14	ID<119>	ID<118>	ID<117>	ID<116>	ID<115>	ID<114>	ID<113>	ID<112>	Unique ID byte 14
3Fh	UID_15	ID<127>	ID<126>	ID<125>	ID<124>	ID<123>	ID<122>	ID<121>	ID<120>	Unique ID byte 15

The register is read only.

6.20 VTRM-LDO

6.20.1 General

This LDO is generating a supply voltage for an external USB 1.1 transceiver out of the 5V USB master supply.

- Input Voltage is UVDD (4.5 to 5.5V)
- Output Voltage is VTRM (typ. 3.2V)
- Driver strength: ~10mA

ams AG
Technical content still valid

6.21 I2C Control Interface

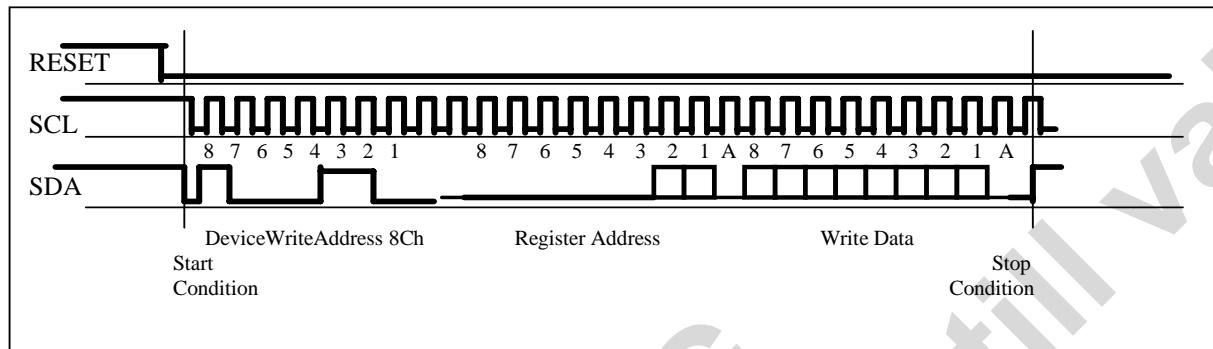
6.21.1 General

There is an I2C slave block implemented to have access to 64 byte of setting information.

The I2C address is: Adr_Group8 - audioprocessors

- 8Ch_write
- 8Dh_read

Figure 18 I2C timing



6.21.2 Parameter

Table 55 I2C Operating Conditions

Symbol	Parameter	Notes	Min	Typ	Max	Unit
VIL	CSCL, CSDA (max 30%DVDD)		0	-	0.87	V
VIH	CSCL, CSDA (min 70%DVDD)		2.03	-	5.5	V
HYST	CSCL, CSDA		200	450	800	mV
VOL	CSDA @ 3mA		-	-	0.4	V
Tsp	Spike insensitivity		50	100	-	ns
Speed	Frequency at CSCL		-	-	400	kHz
Tsetup		CSDA has to change Tsetup before rising edge of CSCL	250	-	-	ns
Thold		No hold time needed for CSDA relative to rising edge of CSCL	0	-	-	ns
TS		CSDA H hold time relative to CSDA edge for start/stop/rep_start	600	-	-	ns
Tdata		CSDA prop delay relative to lowgoing edge of CSCL		50		ns

DVDD =2.9V, Tamb=25°C; unless otherwise specified

6.21.3 Register Description

Registers Overview (00h to 3Fh)

Table 56 I2C Register Overview

Addr	Name	D<7>	D<6>	D<5>	D<4>	D<3>	D<2>	D<1>	D<0>
00h	LINE_OUT_R	reserved		-	LOR_Vol<4:0> Gain from Mixer_Out to Line_Out= (-40.5dB ... +6dB)				
		0	0	0	0	0	0	0	0
01h	LINE_OUT_L	LO_SES_DM<1:0>		-	LOL_Vol<4:0> Gain from Mixer_Out to Line_Out= (-40.5dB ... +6dB)				
		0	0	0	0	0	0	0	0
02h	HPH_OUT_R	HP_OVC_TO<1:0>		-	HPR_Vol<4:0> Gain from Mixer_Out to HPH_Out= (-45.43dB ... +1.07dB)				
		0	0	0	0	0	0	0	0
03h	HPH_OUT_L	HP_Mute	HP_ON	HPdetON	HPL_Vol<4:0> Gain from Mixer_Out to HPH_Out= (-45.43dB ... +1.07dB)				
		0	0	0	0	0	0	0	0
04h	LSP_OUT_R	SP_OVC_TO<1:0>		-	SPR_Vol<4:0> Gain from Mixer_Out to LSP_Out= (-40.5dB ... +6.0dB)				
		0	0	0	0	0	0	0	0
05h	LSP_OUT_L	SP_Mute	SP_ON	-	SPL_Vol<4:0> Gain from Mixer_Out to LSP_Out= (-40.5dB ... +6.0dB)				
		0	0	0	0	0	0	0	0
06h	MIC1_R	M1_AGC_off	M1_Gain<1:0>		M1R_Vol<4:0> Gain from MicAmp_Out to Mixer_In= (-40.5dB ... +6.0dB)				
		0	0	0	0	0	0	0	0
07h	MIC1_L	M1_Sup_off	M1_Mute_off	-	M1L_Vol<4:0> Gain from MicAmp_Out to Mixer_In= (-40.5dB ... +6.0dB)				
		0	0	0	0	0	0	0	0
08h	MIC2_R	M2_AGC_off	M2_Gain<1:0>		M2R_Vol<4:0> Gain from MicAmp_Out to Mixer_In= (-40.5dB ... +6.0dB)				
		0	0	0	0	0	0	0	0
09h	MIC2_L	M2_Sup_off	M2_Mute_off	-	M2L_Vol<4:0> Gain from MicAmp_Out to Mixer_In= (-40.5dB ... +6.0dB)				
		0	0	0	0	0	0	0	0
0Ah	Line_IN1_R	-	-	LI1R_Mute_off	LI1R_Vol<4:0> Gain from LineIn_Pin to Mixer_In= -34.5dB+LI1R_VOL*1.5dB (-34.5dB ... +12dB)				
		0	0	0	0	0	0	0	0
0Bh	Line_IN1_L	LI1_Mode<1:0>		LI1L_Mute_off	LI1L_Vol<4:0> Gain from LineIn_Pin to Mixer_In= (-34.5dB ... +12dB)				
		0	0	0	0	0	0	0	0
0Ch	Line_IN2_R	-	-	LI2R_Mute_off	LI2R_Vol<4:0> Gain from LineIn_Pin to Mixer_In= (-34.5dB ... +12dB)				
		0	0	0	0	0	0	0	0
0Dh	Line_IN2_L	LI2_Mode<1:0>		LI2L_Mute_off	LI2L_Vol<4:0> Gain from LineIn_Pin to Mixer_In= (-34.5dB ... +12dB)				
		0	0	0	0	0	0	0	0
0Eh	DAC_R	-	-	-	DAR_Vol<4:0> Gain from DAC_Out to Mixer_In= (-40.5dB ... +6dB)				
		0	0	0	0	0	0	0	0
0Fh	DAC_L	-	DAC_Mute_off	-	DAL_Vol<4:0> Gain from DAC_Out to Mixer_In= (-40.5dB ... +6dB)				
		0	0	0	0	0	0	0	0
10h	ADC_R	ADCmux<1:0>		-	ADR_Vol<4:0> Gain from ADCMux_Out to ADC_In= (-34.5dB ... +12dB)				

Addr	Name	D<7>	D<6>	D<5>	D<4>	D<3>	D<2>	D<1>	D<0>	
		0	0	0	0	0	0	0	0	
11h	ADC_L	AD_FS2	ADC_Mute_off	-	ADL_Vol<4:0> Gain from ADCMux_Out to ADC_In= (-34.5dB ... +12dB)					
		0	0	0	0	0	0	0	0	
14h	AudioSet1	ADC_on	SUM_on	DAC_on	LOUT_on	LIN2_on	LIN1_on	MIC2_on	MIC1_on	
		0	0	0	0	0	0	0	0	
15h	AudioSet2	BIAS_off	DITH_off	AGC_off	IBR_DAC<1:0>		LSP_LP	IBR_LSP<1:0>		
		0	0	0	0	0	0	0	0	
16h	AudioSet3	-	-	-	-	-	ZCU_OFF	IBR_HPH	HPCM_off	
		0	0	0	0	0	0	0	0	
1Dh	PLL_MODE	-	-	-	-	-	PLLmode<2:0>		-	
		0	0	0	0	0	0	0	0	
20h	SYSTEM	Design_Version<3:0>				PVDDp	CVDDp	EnWDogPw dn	PwrUPHld	
		0	1	0	0	0	0	0	1	
21h	CVDD/DCDC3	CP_SW	CP_on	LREG_CPnot	DCDC3p<1:0>		LREG_off	CVDDp<1:0>		
		0	0	1	0	0	0	0	0	
22h	CHARGER	TmpSup_off	CHGI<2:0>			CHGV<2:0>		CHG_off		
		0	0	0	0	0	0	0	0	
23h	DCDC15	For testing purpose only, must be set to 0h			I_V15<4:0>					
		0	0	0	0	0	0	0	0	
24h	SUPERVISOR	BVDD_Sup<2:0>			JT_Sup<4:0>					
		0	0	0	0	0	0	0	0	
25h	IRQ_ENRD0	CHG tmphigh	CHG endofch	CHG status	CHG changed	USB status	USB changed	RVDD was low	BVDD Is low	
		0	0	0	0	0	0	0	0	
26h	IRQ_ENRD1	JTEMP high	LSP overcurr	HPH overcurr	I2S status	I2S changed	Mic2 connect	Mic1 connect	HeadPh Connect	
		0	0	0	0	0	0	0	0	
27h	IRQ_ENRD2	T_deb<1:0>		IRQ_ActHigh	IRQ_PushPull	Remote_Det2	Remote_Det1	RTC_Update	ADC_EndCon n	
		0	0	0	0	0	0	0	0	
28h	RTCV	VRTC<3:0>				For testing purpose only, must be set to 0h		RTC_ON	OSC_ON	
		0	0	1	0	0	0	1	1	
29h	RTCT	IRQ_MIN	TRTC<6:0>							
		0	1	0	0	0	0	0	0	
2Ah	RTC_0	Qrtc<7:0>								
		0	0	0	0	0	0	0	0	
2Bh	RTC_1	Qrtc<15:8>								
		0	0	0	0	0	0	0	0	
2Ch	RTC_2	Qrtc<23:16>								
		0	0	0	0	0	0	0	0	
2Dh	RTC_3	Qrtc<31:24>								
		0	0	0	0	0	0	0	0	
2Eh	ADC_0	ADC_Source<3:0>				-	-	ADC<9:8>		
		0	0	0	0	0	0	X	X	
2Fh	ADC_1	ADC<7:0>								
		X	X	X	X	X	X	X	X	
30-3F	UID_0 .. 15	ID<7:0> ... ID>127:120>								

7 Electrical Specification

Table 57 Audio Parameter

Symbol	Parameter	Notes	Min	Typ	Max	Unit
DAC Input to Line Output						
FS	Full Scale Output	1kHz FS input		0.985		V _{RMS}
SNR	Signal to Noise Ratio	A-weighted, no load, silence input		92		dB
DR	Dynamic Range	A-weighted, no load, -60dB FS 1kHz input		89		dB
THD	Total Harmonic Distortion	1kHz FS input		-90		dB
SINAD	Signal to Noise and Distortion	A-weighted, 1kHz FS input		83		dB
Line Input to Line Output						
FS	Full Scale Output	1kHz 1V _{RMS} (FS) input		0.95		V _{RMS}
SNR	Signal to Noise Ratio	A-weighted, no load, silence input		93		dB
THD	Total Harmonic Distortion	1kHz 1V _{RMS} (FS) input		-85		dB
SINAD	Signal to Noise and Distortion	A-weighted, 1kHz FS input		80		dB
CS	Channel Separation			89		dB
DAC Input to HP Output						
FS	Full Scale Output	R _L = 32Ω		0.950		V _{RMS}
		R _L = 16Ω		0.944		V _{RMS}
SNR	Signal to Noise Ratio	A-weighted, no load, silence input		94		dB
DR	Dynamic Range	A-weighted, no load, -60dB FS 1kHz input		90		dB
THD	Total Harmonic Distortion	no load, 1kHz FS input		-90		dB
		P _{out} =20mW, R _L = 32Ω, f=1kHz FS input		-73		dB
		P _{out} =40mW, R _L = 16Ω, f=1kHz FS input		-66		dB
SINAD	Signal to Noise and Distortion	A-weighted, no load, 1kHz FS input		84		dB
		A-weighted, P _{out} =20mW, R _L = 32Ω, f=1kHz FS input		73		dB
		A-weighted, P _{out} =40mW, R _L = 16Ω, f=1kHz FS input		66	-60	dB
CS	Channel Separation	R _L = 32Ω		73		dB
		R _L = 16Ω		67		dB
Line Input to HP Output						
FS	Full Scale Output	R _L = 32Ω, 1kHz 1V _{RMS} (FS) input		0.930		V _{RMS}
		R _L = 16Ω, 1kHz 1V _{RMS} (FS) input		0.929		V _{RMS}
SNR	Signal to Noise Ratio	A-weighted, no load, silence input		96		dB
DR	Dynamic Range	A-weighted, no load, -60dB FS 1kHz (FS) input		95		dB
THD	Total Harmonic Distortion	no load, 1kHz 1V _{RMS} input		-85		dB
		P _{out} =20mW, R=32Ω, 1kHz 1V _{RMS} (FS) input		-75		dB
		P _{out} =40mW, R=16Ω, 1kHz 1V _{RMS} (FS) input		-68	-60	dB
SINAD	Signal to Noise and Distortion	A-weighted, no load, 1kHz 1V _{RMS} input		84		dB
		A-weighted, P _{out} =20mW, R=32Ω, 1kHz 1V _{RMS} (FS) input		73		dB
		A-weighted, P _{out} =40mW, R=16Ω, 1kHz 1V _{RMS} (FS) input		68		dB
CS	Channel Separation	R _L = 32Ω		73		dB
		R _L = 16Ω		68		dB

DAC to SP Output						
FS	Full Scale Output	R _L = 32Ω, 1kHz 1V _{RMS} (FS) input		1.036		V _{RMS}
		R _L = 16Ω, 1kHz 1V _{RMS} (FS) input		1.023		V _{RMS}
		R _L = 4Ω, 1kHz 1V _{RMS} (FS) input		0.950		V _{RMS}
SNR	Signal to Noise Ratio	A-weighted, no load, silence input		91		dB
THD	Total Harmonic Distortion	no load, 1kHz 1V _{RMS} (FS) input		-88		dB
		R=32Ω, 1kHz 1V _{RMS} (FS) input		-78		dB
		R=16Ω, 1kHz 1V _{RMS} (FS) input		-71		dB
		R=4Ω, 1kHz 1V _{RMS} (FS) input, BVDD=5V		-60		dB
		R=4Ω, 1kHz 0.7V _{RMS} (FS) input, BVDD=4V, bias reduction on			-58	dB
SINAD	Signal to Noise and Distortion	A-weighted, no load, 1kHz 1V _{RMS} (FS) input		85		dB
		A-weighted, R=32Ω, 1kHz 1V _{RMS} (FS) input		77		dB
		A-weighted, R=16Ω, 1kHz 1V _{RMS} (FS) input		71		dB
		A-weighted, R=4Ω, 1kHz 1V _{RMS} (FS) input, BVDD=5V		60		dB
CS	Channel Separation	R _L = 32Ω		60		dB
MIC Input to ADC Output						
SNR	Signal to Noise Ratio	A-weighted, no load, silence input		81		dB
DR	Dynamic Range	A-weighted, no load, -60dB FS 1kHz input		80		dB
THD	Total Harmonic Distortion	1kHz 27mV _{RMS} (-3dB FS) input		-62		dB
SINAD	Signal to Noise and Distortion	A-weighted, 1kHz 27mV _{RMS} (-3dB FS) input		61		dB
Line Input to ADC Output						
SNR	Signal to Noise Ratio	A-weighted, no load, silence input		83		dB
DR	Dynamic Range	A-weighted, no load, -60dB FS 1kHz input		82		dB
THD	Total Harmonic Distortion	1kHz 1V _{RMS} (-3dB FS) input		-62		dB
SINAD	Signal to Noise and Distortion	A-weighted, 1kHz 1V _{RMS} (-3dB FS) input		61		dB

BVDD = 3.3V, T_A = 25°C, fs=48kHz, R_L= 10kΩ unless otherwise mentioned

8 Pinout and Packaging

8.1 Pin Description

Table 58 Pinlist CTBGA64 & LQFP64

CTBGA64 ball #	LQFP64 pin #	PinName	Type	Function
A1	1	CVDD	Aout	ChargePump Output for CPU supply progr. 0.85-1.8V
B1	2	VB1V	Supply	Battery supply input for single cell application
C3	3	CP	Ai/o	ChargePump flying cap
C2	4	CN	Ai/o	ChargePump flying cap
D2	5	VSSCP	Supply	ChargePump Neg. Supply terminal
C1	6	VSS3	Supply	DCDC3V Neg. Supply terminal
D1	7	SW3	Aout	DCDC3V Switch terminal
D4	8	SW15	Aout	DCDC15V Switch terminal
E1	9	VSS15	Supply	DCDC15V Neg. Supply terminal
D3	10	ISINK	Aout	DCDC15V Load Current Sink terminal
E2	11	DVSS	Supply	Digital Circuit Neg. Supply terminal
E3	12	BATTEMP	Ai/o	Charger Battery Temperature Sensor input (RNTC 100k)
F1	13	VTRM	Aout	USB1.1 VTRM Regulator output 3.25V
F2	14	UVDD	Ain	USB1.1 USB supply input
G1	15	CHGOUT	Aout	Charger Output prog. Ichg 50-400mA Vchg 3.9-4.25V
G2	16	CHGIN	Ain	Charger Input
H1	17	P_PVDD	Ain	5 State Prog Input of PVDD regulator
H2	18	P_CVDD	Ain	5 State Prog Input of CVDD regulatro
F3	19	PWR_UP	Din Pull_dn	Power Up input
G3	20	CSDA	Di/o pull_up	Data I/O of two wire interface
G4	21	C_SCL	Din pull_up	Clock Input of two wire interface
H3	22	LRCK	Din pull_dn	I2S Left/Right Clock
H4	23	SCLK	Din pull_dn	I2S Shift Clock
E4	24	SDI	Din pull_dn	I2S Data Input to DAC
H5	25	SDO	Dout	I2S Data output from ADC
F4	26	PWGOOD	Dout	Goes high when power up sequence is completed (XRES)
G5	27	IRQ	Dout	Interrupt Request Output
F5	28	DVDD	Supply	Digital Circuit Pos. Supply terminal to be connected to QLDO2
H6	29	XOUT	Ai/o	32kHz RTC Oscillator Crystal terminal
G6	30	RVDD	Aout	RTC Supply Regulator Output prog. to 1.0-2.5V
H7	31	XIN	Ai/o	32kHz RTC Oscillator Crystal terminal
G7	32	RTCSUP	Supply	RTC Pos. Supply terminal 5.5V max
H8	33	MIC1SUP	Ai/o	Microphone Supply 1 (2.95V) / Remote Input 1
G8	34	MIC1N	Ain	Microphone Input 1N
F6	35	MIC1P	Ain	Microphone Input 1P
F7	36	MIC2P	Ain	Microphone Input 2P
E7	37	MIC2N	Ain	Microphone Input 2N
F8	38	MIC2SUP	Ai/o	Microphone Supply 2 (2.95V) / Remote Input 2
E8	39	LIN1R	Ain	Line Input 1 Right Channel
E5	40	LIN1L	Ain	Line Input 1 Left Channel
D8	41	LIN2R	Ain	Line Input 2 Right Channel
E6	42	LIN2L	Ain	Line Input 2 Left Channel

CTBGA64 ball #	LQFP64 pin #	PinName	Type	Function
D7	43	AGND	Ai/o	Analog Reference (AVDD/2) decoupling cap terminal (10uF)
D6	44	VREF	Ai/o	Analog Reference (filtered AVDD) decoupling cap terminal (10uF)
C8	45	AVSS	Supply	Analog Circuit Neg Supply terminal
C7	46	LOUT_R	Aout	Line Output Right Channel / Ear Piece diff output N
B8	47	LOUR_L	Aout	Line Output Left Channel / Ear Piece diff output P
B7	48	AVDD	Supply	Analog Circuit Pos. Supply terminal
A8	49	HPGND	Ai/o	Headphone Amplifier Reference decoupling cap terminal (100nF)
A7	50	BVSS2	Supply	Headphone Amplifier Neg. Supply terminal
C6	51	HPH_CM	Aout	Headphone Common GND Output for DC-coupled speakers
B6	52	BVDD	Supply	Pos. Supply Terminal 5.5V max.
B5	53	HPH_R	Aout	Headphone Output Right Channel
A6	54	BVSS2	Supply	Headphone Amplifier Neg. Supply terminal
A5	55	HPH_L	Aout	Headphone Output Left Channel
D5	56	BGND	Ai/o	Loudspeaker Amplifier Reference decoupling cap terminal (100nF)
A4	57	BVDD	Supply	Pos. Supply Terminal 5.5V max.
C5	58	LSP_R	Aout	Loudspeaker Output Right Channel
B4	59	BVSS	Supply	Loudspeaker Amplifier Neg. Supply terminal
C4	60	LSP_L	Aout	Loudspeaker Output Left Channel
A3	61	BVDD	Supply	Pos. Supply Terminal 5.5V max.
B3	62	QLDO2	Aout	LDO2 Regulator Output fixed 2.9V to be connected to DVDD
A2	63	PVDD	Aout	LDO3 Regulator Output prog. to 1.7-3.3V
B2	64	CPVDD	Aout	LDO4 Regulator Output limiter to 3.56V as ChargePump Input
B2	64	CPVDD	Aout	LDO4 Regulator Output limiter to 3.56V as ChargePump Input

8.2 Ball & Pin Assignment

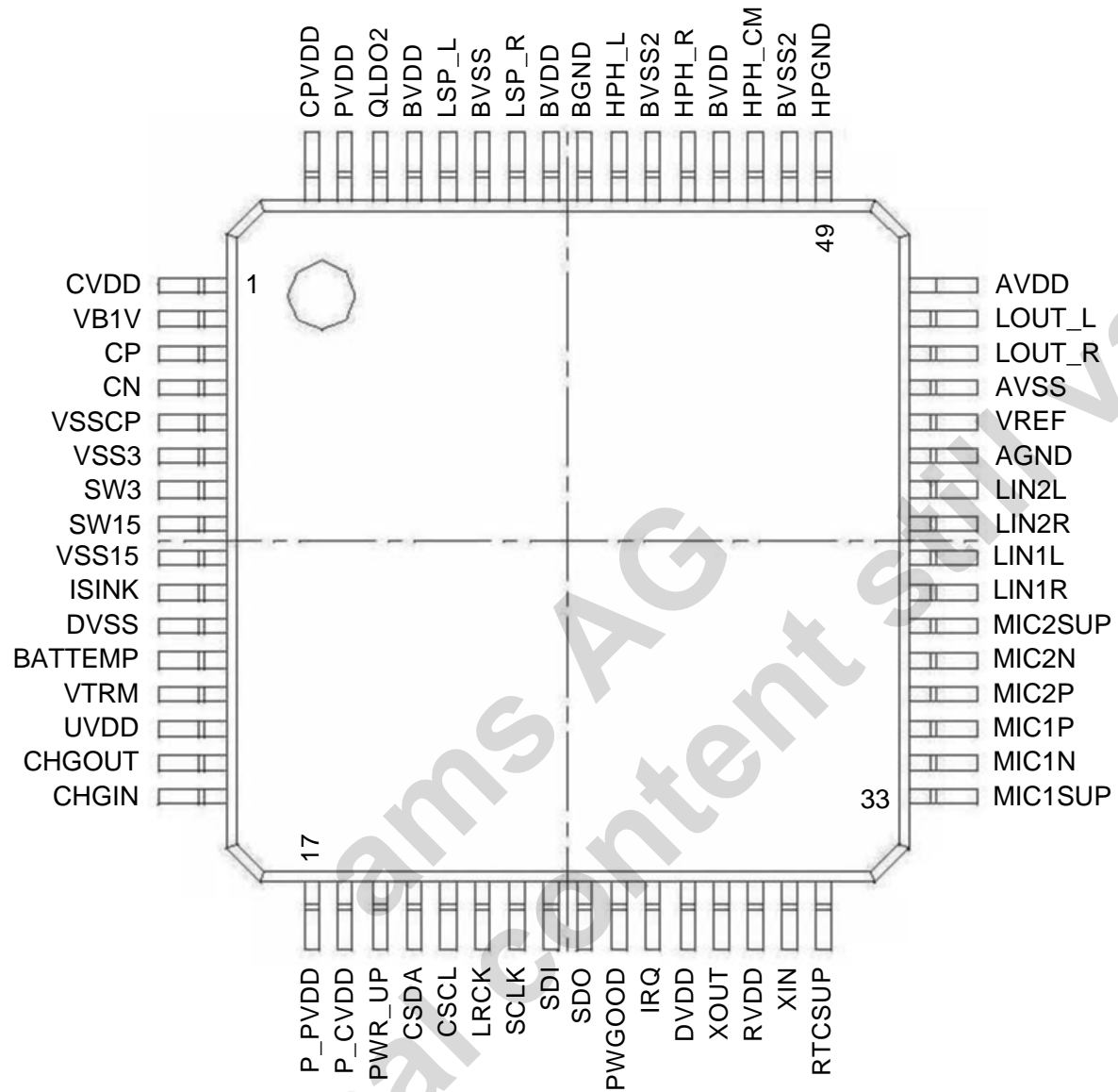
8.2.1 CTBGA64

Figure 19 Ball Assignment CTBGA64

	1	2	3	4	5	6	7	8
A	CVDD	PVDD	BVDD	BVDD	HPH_L	BVSS2	BVSS2	HPGND
B	VB1V	CPVDD	QLDO2	BVSS	HPH_R	BVDD	AVDD	LOUT_L
C	VSS3	CN	CP	LSP_L	LSP_R	HPH_CM	LOUT_R	AVSS
D	SW3	VSSCP	ISINK	SW15	BGND	VREF	AGND	LIN2R
E	VSS15	DVSS	BATTEMP	SDI	LIN1L	LIN2L	MIC2N	LIN1R
F	VTRM	UVDD	PWR_UP	PWGOOD	DVDD	MIC1P	MIC2P	MIC2SUP
G	CHGOUT	CHGIN	CSDA	C_SCL	IRQ	RVDD	RTCSUP	MIC1N
H	P_PVDD	P_CVDD	LRCK	SCLK	SDO	XOUT	XIN	MIC1SUP

8.2.2 LQFP64

Figure 20 Pin Assignment LQFP64



8.3 Package Drawings and Marking

8.3.1 CTBGA64

Figure 21 CTBGA64 Marking

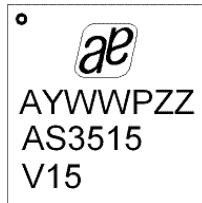
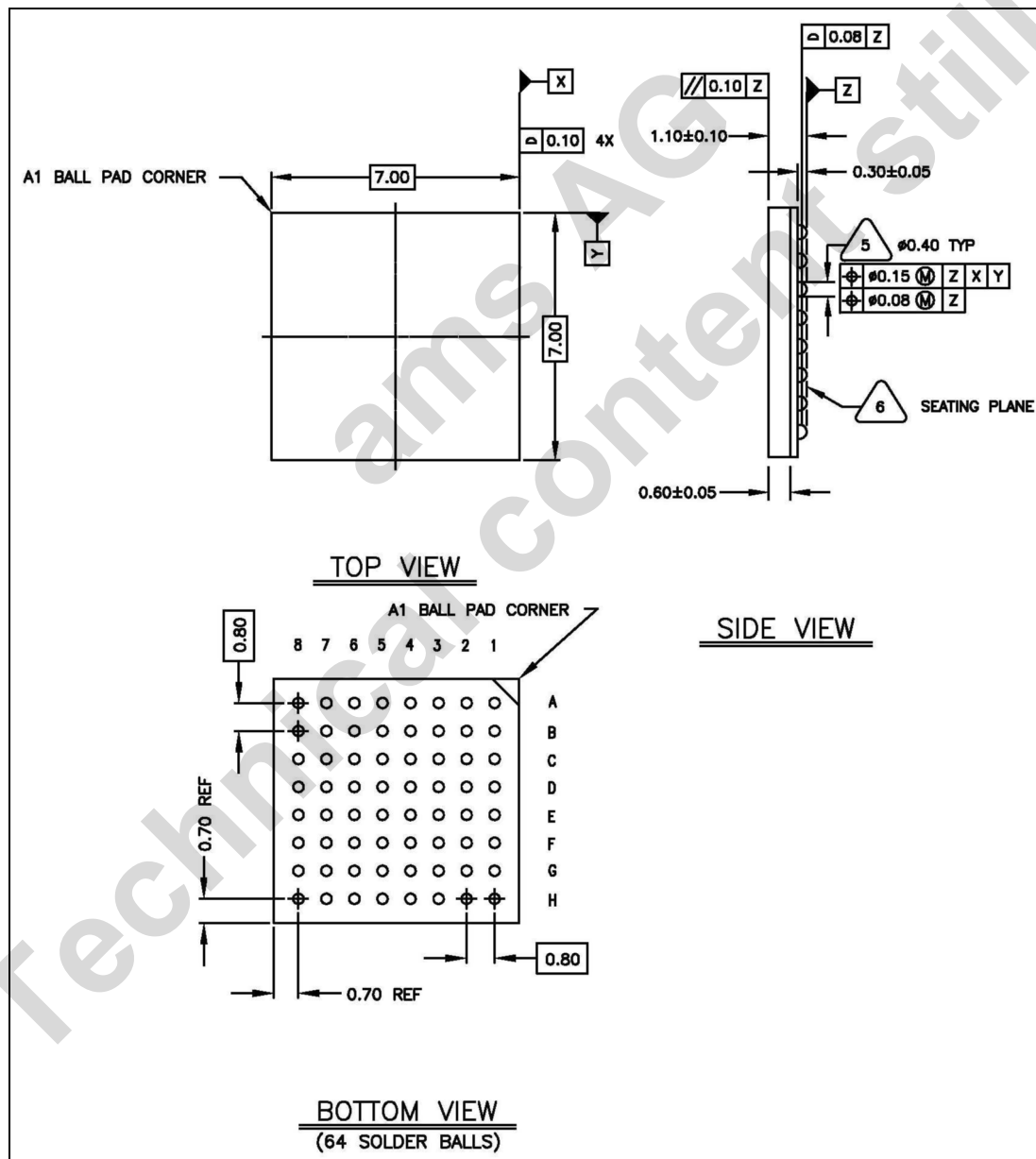


Table 59 Package Code AYWWZZZ

A	Y	WW	PZZ
A ... for PB free	Year	Working week assembly/package	Free choice

Figure 22 CTBGA64 7x7mm 0.8mm pitch



8.3.2 LQFP64

Figure 23 LQFP64 Marking

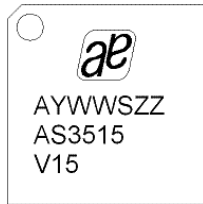


Table 60 Package Code AYWSZZ

A	Y	WW	SZZ
A ... for PB free	Year	Working week assembly/packaging	Free choice

Figure 24 LQFP 10x10mm 0.5mm pitch

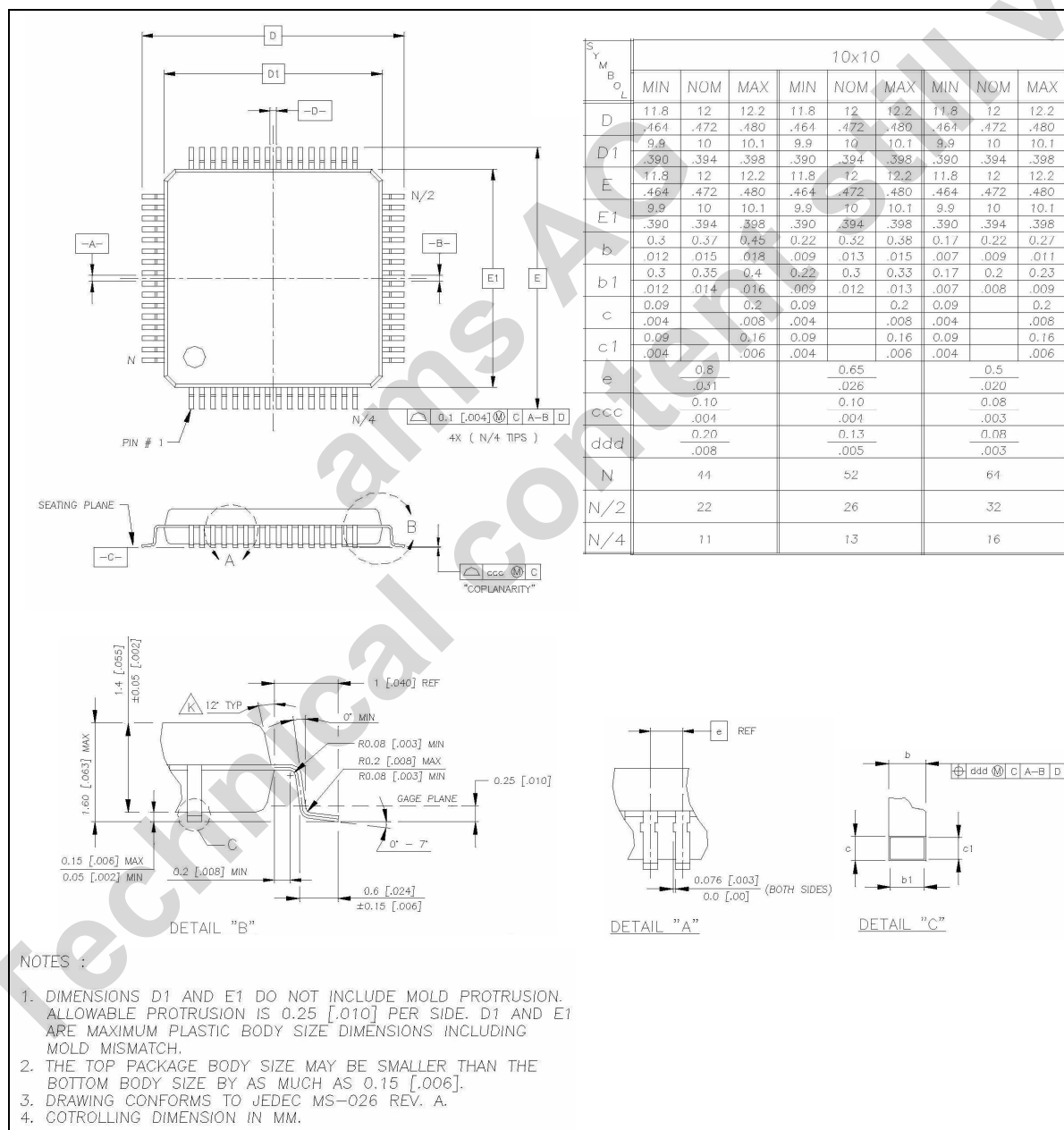


Figure 25 Reel Specification

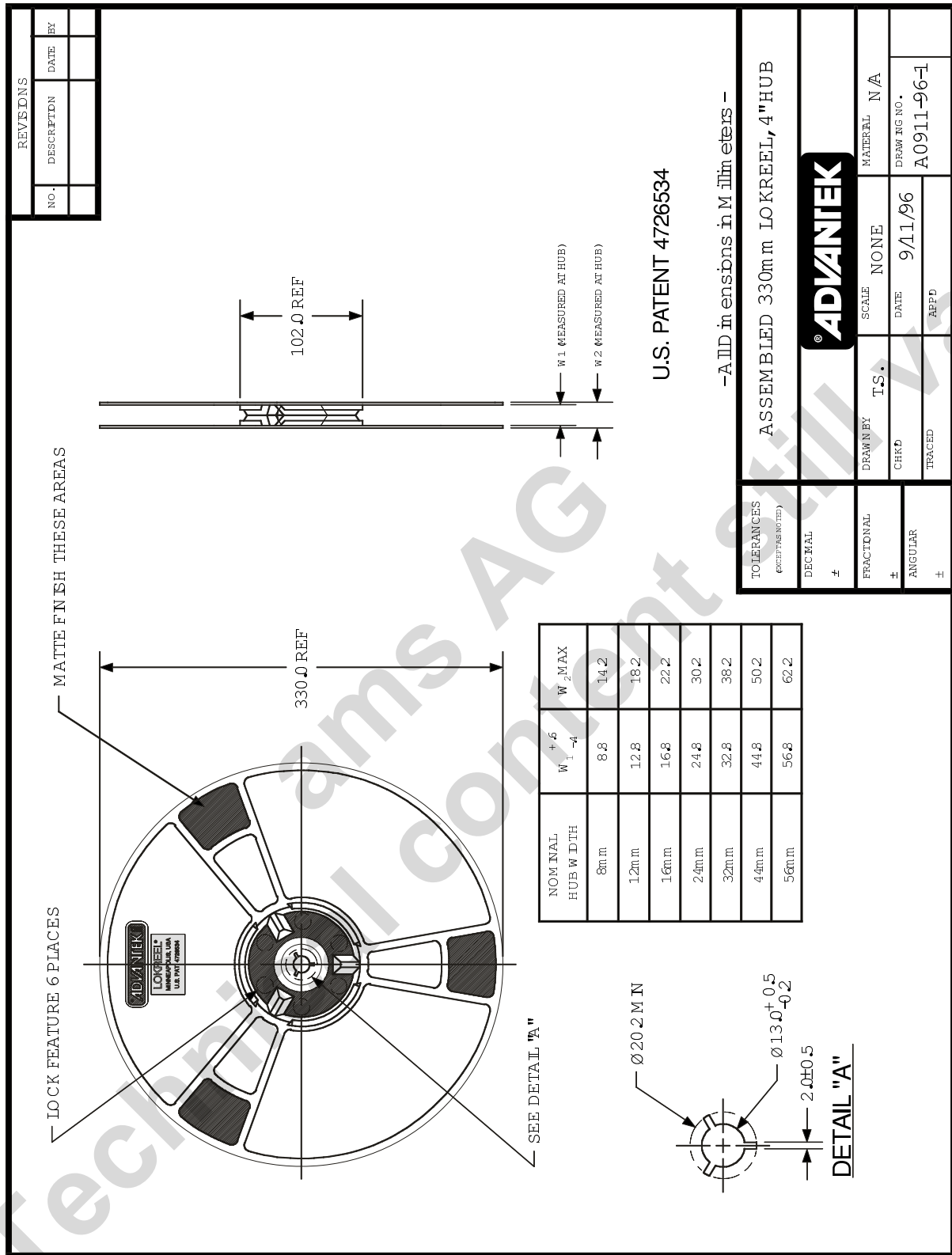
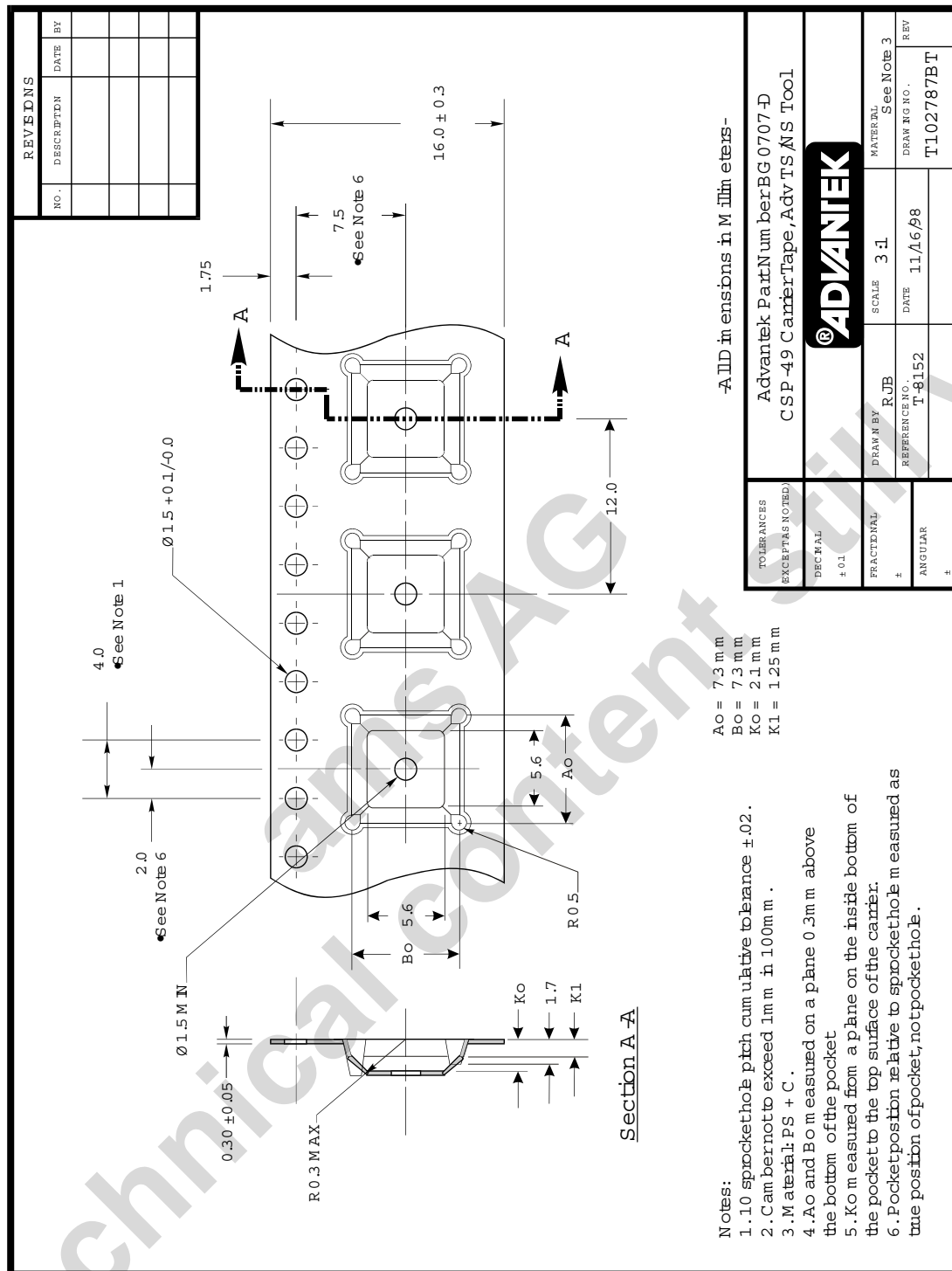


Figure 26 CTBGA64 Tape Specification



9 Ordering Information

Model	Description	Delivery Form	Package	pcs/reel
AS3515E-ECTP	AS3515 V15 CTBGA64 LF T&R	Tape&Reel dry pack	64-ball CTBGA 0.8mm pitch (7mm x 7mm)	2250
AS3515E-ELQP	AS3515 V15 LQFP64 LF T&R	Tape&Reel dry pack	64-pin LQFP 0.5mm pitch (10mm x 10mm)	1000
AS3515E-ECTS	AS3515 V15 CTBGA64 LF TRA	Tray dry pack	64-ball CTBGA 0.8mm pitch (7mm x 7mm)	

ams AG
Technical content still valid

10 Copyright

Copyright © 1997-2008, austriamicrosystems AG, Schloss Premstaetten, 8141 Unterpremstaetten, Austria-Europe. Trademarks Registered ®. All rights reserved. The material herein may not be reproduced, adapted, merged, translated, stored, or used without the prior written consent of the copyright owner.

All products and companies mentioned are trademarks of their respective companies.

11 Disclaimer

Devices sold by austriamicrosystems AG are covered by the warranty and patent identification provisions appearing in its Term of Sale. austriamicrosystems AG makes no warranty, express, statutory, implied, or by description regarding the information set forth herein or regarding the freedom of the described devices from patent infringement. austriamicrosystems AG reserves the right to change specifications and prices at any time and without notice. Therefore, prior to designing this product into a system, it is necessary to check with austriamicrosystems AG for current information. This product is intended for use in normal commercial applications. Applications requiring extended temperature range, unusual environmental requirements, or high reliability applications, such as military, medical life-support or life-sustaining equipment are specifically not recommended without additional processing by austriamicrosystems AG for each application.

The information furnished here by austriamicrosystems AG is believed to be correct and accurate. However, austriamicrosystems AG shall not be liable to recipient or any third party for any damages, including but not limited to personal injury, property damage, loss of profits, loss of use, interruption of business or indirect, special, incidental or consequential damages, of any kind, in connection with or arising out of the furnishing, performance or use of the technical data herein. No obligation or liability to recipient or any third party shall arise or flow out of austriamicrosystems AG rendering of technical or other services.

12 Contact Information

Headquarters:

austriamicrosystems AG
Business Unit Communications
A 8141 Schloss Premstätten, Austria
T. +43 (0) 3136 500 0
F. +43 (0) 3136 5692
info@austriamicrosystems.com

For Sales Offices, Distributors and Representatives, please visit:

www.austriamicrosystems.com

austriamicrosystems – a leap ahead in analog