



32K x 8 SRAM SRAM MEMORY ARRAY

AVAILABLE AS MILITARY SPECIFICATIONS

- SMD 5962-88662
- SMD 5962-88552
- MIL-STD-883

FEATURES

- Access Times: 12, 15, 20, 25, 35, 45, 55, 70, & 100ns
- Battery Backup: 2V data retention
- Low power standby
- High-performance, low-power CMOS double-metal process
- Single +5V ($\pm 10\%$) Power Supply
- Easy memory expansion with CE\
- All inputs and outputs are TTL compatible

OPTIONS

- Timing
 - 12ns access
 - 15ns access
 - 20ns access
 - 25ns access
 - 35ns access
 - 45ns access
 - 55ns access¹
 - 70ns access¹
 - 100ns access

MARKING

- 12
- 15
- 20
- 25
- 35
- 45
- 55
- 70
- 100

- Package(s)²

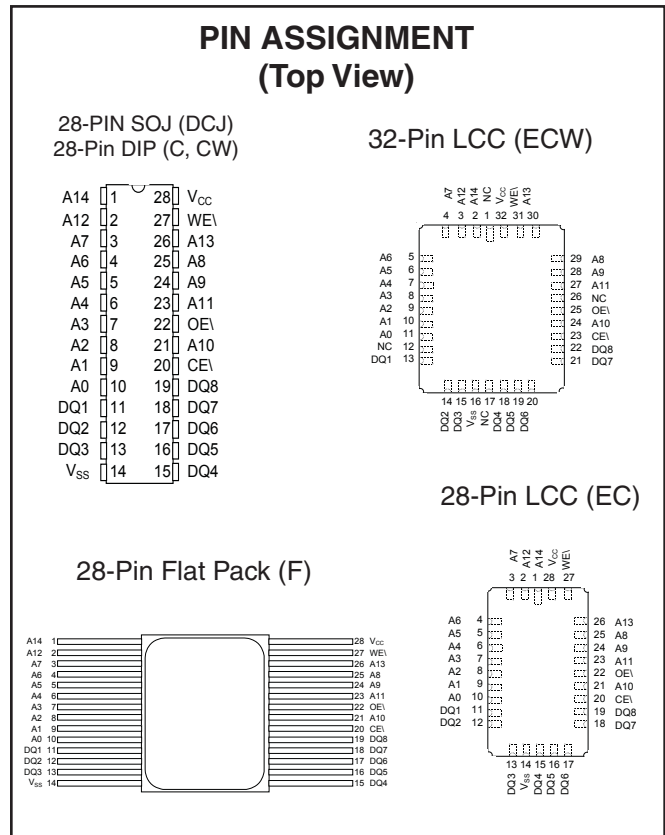
Ceramic DIP (300 mil)	C	No. 108
Ceramic DIP (600 mil)	CW	No. 110
Ceramic LCC (28 leads)	EC	No. 204
Ceramic LCC (32 leads)	ECW	No. 208
Ceramic Flat Pack	F	No. 302
Ceramic SOJ	DCJ	No. 500
- Operating Temperature Ranges

Military -55°C to +125°C	XT
Industrial -40°C to +85°C	IT
- 2V data retention/low power L

NOTES:

1. Electrical characteristics identical to those provided for the 45ns access devices.
2. Plastic SOJ (DJ Package) is available on the AS5C2568 datasheet.

For more products and information
please visit our web site at
www.microcross.com



GENERAL DESCRIPTION

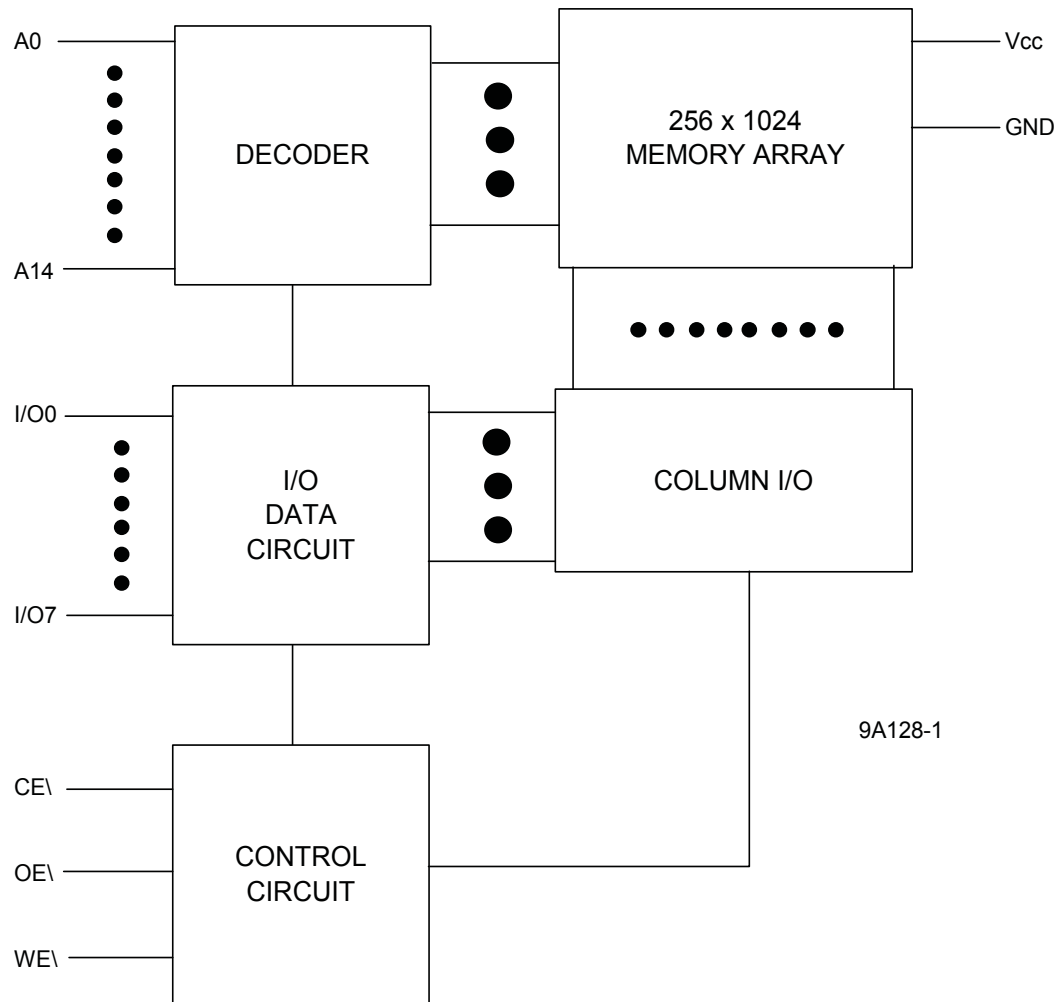
The Microcross Components SRAM family employs high-speed, low power CMOS designs using a four-transistor memory cell. These SRAMs are fabricated using double-layer metal, double-layer polysilicon technology.

For flexibility in high-speed memory applications, Microcross Components offers chip enable (CE\) and output enable (OE\) capability. These enhancements can place the outputs in High-Z for additional flexibility in system design.

Writing to these devices is accomplished when write enable (WE\) and CE\ inputs are both LOW. Reading is accomplished when WE\ remains HIGH and CE\ and OE\ go LOW. The device offers a reduced power standby mode when disabled. This allows system designs to achieve low standby power requirements.

The "L" version provides a battery backup/low voltage data retention mode, offering 2mW maximum power dissipation at 2 volts. All devices operate from a single +5V power supply and all inputs and outputs are fully TTL compatible.

FUNCTIONAL BLOCK DIAGRAM



TRUTH TABLE

MODE	OE\	CE\	WE\	DQ	POWER
STANDBY	X	H	X	HIGH-Z	STANDBY
READ	L	L	H	Q	ACTIVE
READ	H	L	H	HIGH-Z	ACTIVE
WRITE	X	L	L	D	ACTIVE

ABSOLUTE MAXIMUM RATINGS*

Voltage on Any Input or DQ Relative to V_{SS}...-0.5V to V_{CC} +0.5V
 Voltage on V_{CC} Supply Relative to V_{SS}.....-1V to +7V
 Storage Temperature.....-65°C to +150°C
 Power Dissipation.....1W
 Short Circuit Output Current.....50mA
 Lead Temperature (soldering 10 seconds).....+260°C
 Max. Junction Temperature.....+175°C

*Stresses greater than those listed under “Absolute Maximum Ratings” may cause permanent damage to the device. This is a stress rating only and functional operation of the device at these or any other conditions above those indicated in the operation section of this specification is not implied. Exposure to absolute maximum rating conditions for extended periods may affect reliability.

ELECTRICAL CHARACTERISTICS AND RECOMMENDED DC OPERATING CONDITIONS

(-55°C ≤ T_C ≤ 125°C or -40°C to +85°C; V_{CC} = 5.0V ±10%)

DESCRIPTION	CONDITIONS	SYM	MIN	MAX	UNITS	NOTES
Input High (Logic 1) Voltage		V _{IH}	2.2	V _{CC} +0.5	V	1
Input Low (Logic 0) Voltage		V _{IL}	-0.5	0.8	V	1,2
Input Leakage Current	0V ≤ V _{IN} ≤ V _{CC}	I _{LI}	-10	10	μA	
Output Leakage Current	Output(s) disabled 0V ≤ V _{OUT} ≤ V _{CC}	I _{LO}	-10	10	μA	
Output High Voltage	I _{OH} = -4.0mA	V _{OH}	2.4		V	1
Output Low Voltage	I _{OL} = 8.0mA	V _{OL}		0.4	V	1

DESCRIPTION	CONDITIONS	SYM	MAX						UNITS	NOTES
			-12	-15	-20	-25	-35	-45		
Power Supply Current: Operating	CE ≤ V _{IL} ; V _{CC} = MAX f = MAX = 1/τ _{RC} (MIN) Output Open	I _{CC}	190	180	170	160	150	150	mA	3
Power Supply Current: Standby	TTL CE ≤ V _{IH} ; Outputs Open V _{CC} = MAX	I _{SBT}	60	50	40	35	35	35	mA	
	CMOS CE ≥ V _{CC} -0.2V; V _{CC} = MAX V _{IN} ≤ +0.2V or ≥ V _{CC} -0.2V; f = 0 Hz, Outputs Open	I _{SBC}	20	20	20	20	20	20	mA	
	"L" Version Only	I _{SBC2}	4	4	4	4	4	4	mA	

CAPACITANCE

PARAMETER	CONDITIONS	SYM	MAX	UNITS	NOTES
Input Capacitance	T _A = 25°C, f = 1MHz V _{CC} = 5V	C _{IN}	11	pF	4
Output Capacitance		C _{IO}	11	pF	4

ELECTRICAL CHARACTERISTICS AND RECOMMENDED AC OPERATING CONDITIONS

 (Note 5) ($-55^{\circ}\text{C} \leq T_c \leq 125^{\circ}\text{C}$ or -40°C to $+85^{\circ}\text{C}$; $V_{CC} = 5.0\text{V} \pm 10\%$)

DESCRIPTION	SYM	-12		-15		-20		-25		-35		-45		UNITS	NOTES
		MIN	MAX	MIN	MAX	MIN	MAX	MIN	MAX	MIN	MAX	MIN	MAX		
READ CYCLE															
READ cycle time	t_{RC}	12		15		20		25		35		45		ns	
Address access time	t_{AA}		12		15		20		25		35		45	ns	
Chip enable access time	t_{ACE}		12		15		20		25		35		45	ns	
Output hold from address change	t_{OH}	2		3		3		3		3		3		ns	
Chip enable to output in Low-Z	t_{LZCE}	2		3		3		3		3		3		ns	7
Chip disable to output in High-Z	t_{HZCE}		7		10		10		15		35		20	ns	6, 7
Output enable to access time	t_{AOE}		6		8		10		15		20		20	ns	
Output enable to output in Low-Z	t_{LZOE}	0		0		0		0		2		0		ns	
Output disable to output in High-Z	t_{HZOE}		7		10		10		15		35		20	ns	6
WRITE CYCLE															
WRITE cycle time	t_{WC}	12		15		20		25		35		45		ns	
Chip enable to end of write	t_{CW}	10		12		15		20		30		40		ns	
Address valid to end of write	t_{AW}	10		12		15		20		30		40		ns	
Address setup time	t_{AS}	0		0		0		0		0		0		ns	
Address hold from end of write	t_{AH}	2		0		0		0		0		0		ns	
WRITE pulse width	t_{WP}	10		12		15		20		30		40		ns	
Data setup time	t_{DS}	8		10		10		15		20		20		ns	
Data hold time	t_{DH}	0		0		0		0		0		3		ns	
Write disable to output in Low-Z	t_{LZWE}	0		0		0		3		3		3		ns	7
Write enable to output in High-Z	t_{HZWE}		7		10		10		15		35		20	ns	6, 7

AC TEST CONDITIONS

Input pulse levels.....	V _{SS} to 3V
Input rise and fall times.....	5ns
Input timing reference level.....	1.5V
Output reference level.....	1.5V
Output load.....	See figures 1 & 2

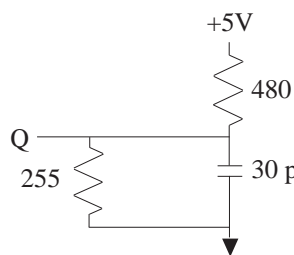


Fig. 1
OUTPUT LOAD
EQUIVALENT

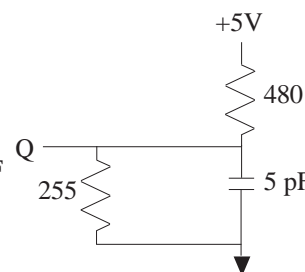


Fig. 2
OUTPUT LOAD
EQUIVALENT

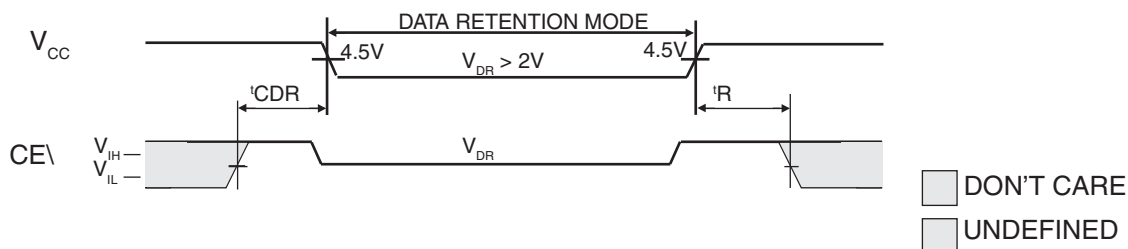
NOTES

- All voltages referenced to V_{SS} (GND).
- 3V for pulse width < 20ns
- I_{CC} is dependent on output loading and cycle rates. The specified value applies with the outputs unloaded, and $f = \frac{1}{RC} \text{ Hz}$.
- This parameter is guaranteed but not tested.
- Test conditions as specified with the output loading as shown in Fig. 1 unless otherwise noted.
- ^tHZCE, ^tHZOE and ^tHZWE are specified with CL = 5pF as in Fig. 2. Transition is measured ±500mV typical from steady state voltage, allowing for actual tester RC time constant.
- At any given temperature and voltage condition, ^tHZCE is less than ^tLZCE, and ^tHZWE is less than ^tLZWE.
- WE₀ is HIGH for READ cycle.
- Device is continuously selected. Chip enables and output enables are held in their active state.
- Address valid prior to, or coincident with, latest occurring chip enable.
- ^tRC = Read Cycle Time.
- Chip enable (CE₀) and write enable (WE₀) can initiate and terminate a WRITE cycle.

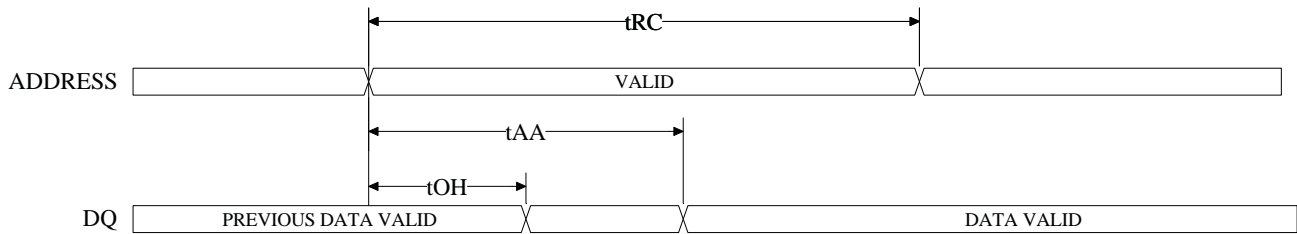
DATA RETENTION ELECTRICAL CHARACTERISTICS (L Version Only)

DESCRIPTION	CONDITIONS	SYM	MIN	MAX	UNITS	NOTES
V _{CC} for Retention Data		V _{DR}	2		V	
Data Retention Current	CE ₀ ≥ (V _{CC} -0.2V) V _{IN} ≥ (V _{CC} -0.2V) or ≤ 0.2V	I _{CCDR}		1	mA	
Chip Deselect to Data Retention Time		t _{CDR}	0	--	ns	4
Operation Recovery Time		t _R	t _{RC}		ns	4, 11

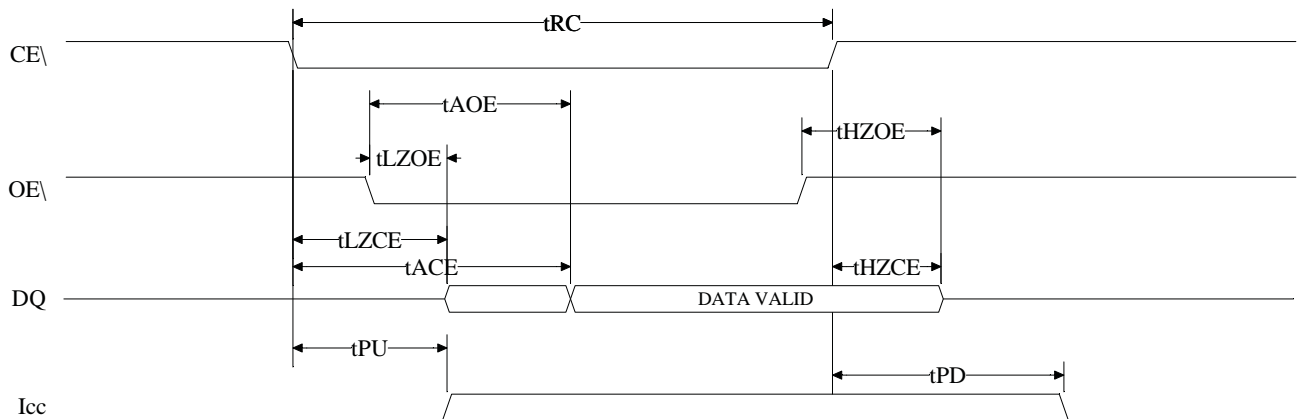
LOW V_{CC} DATA RETENTION WAVEFORM



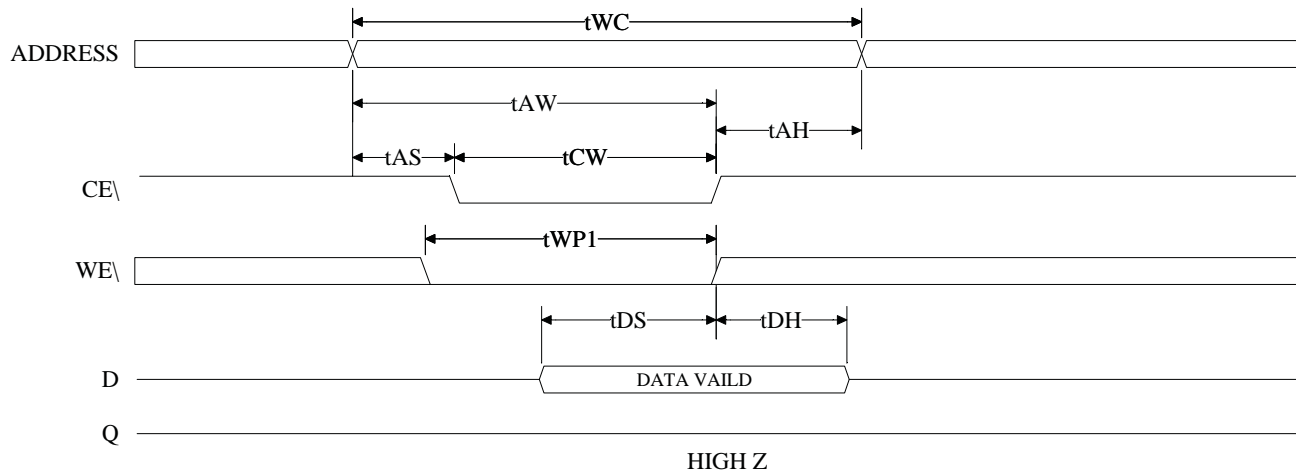
READ CYCLE NO. 1 ^{8,9}



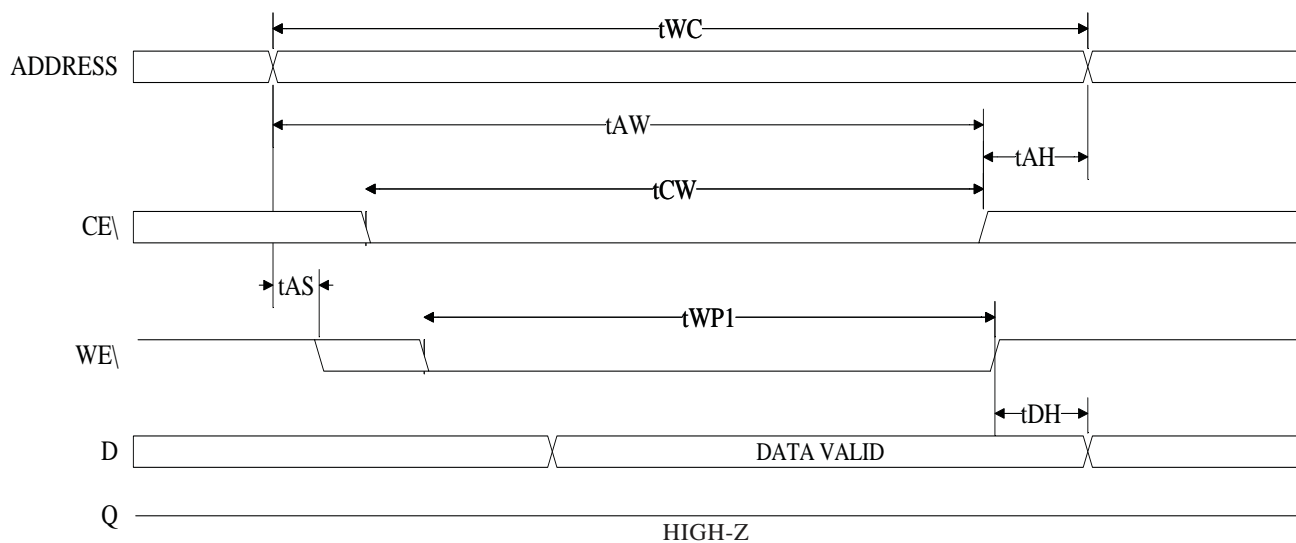
READ CYCLE NO. 2 ^{7, 8, 10, 12}



WRITE CYCLE NO. 1 ¹²
(Chip Enabled Controlled)



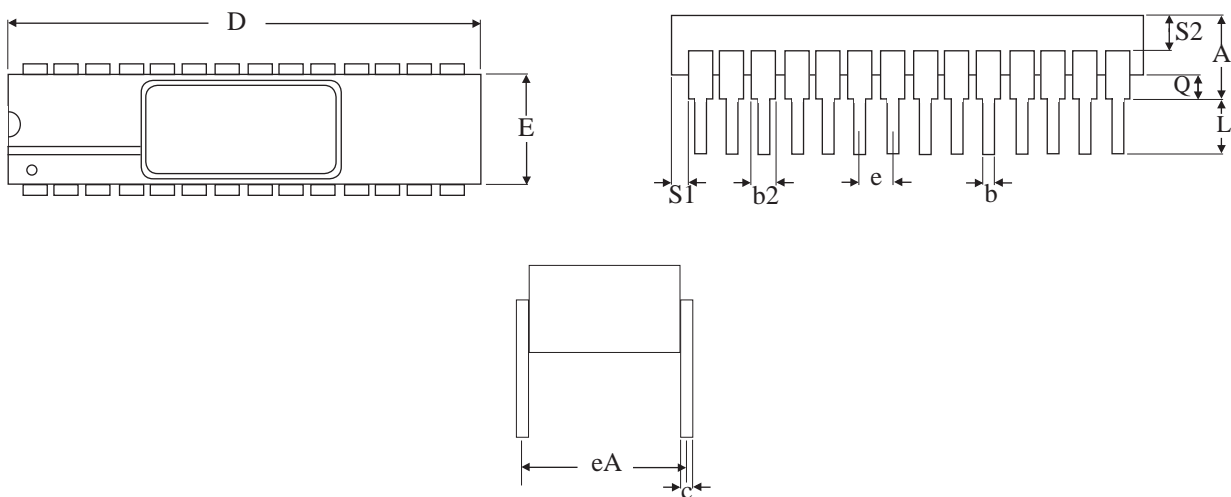
WRITE CYCLE NO. 2 ^{7, 12}
(Write Enabled Controlled)



NOTE: Output enable (OE\) is inactive (HIGH).

MECHANICAL DEFINITIONS*

Micross Case #108 (Package Designator C)
SMD 5962-88662, Case Outline N
SMD 5962-88552, Case Outline U



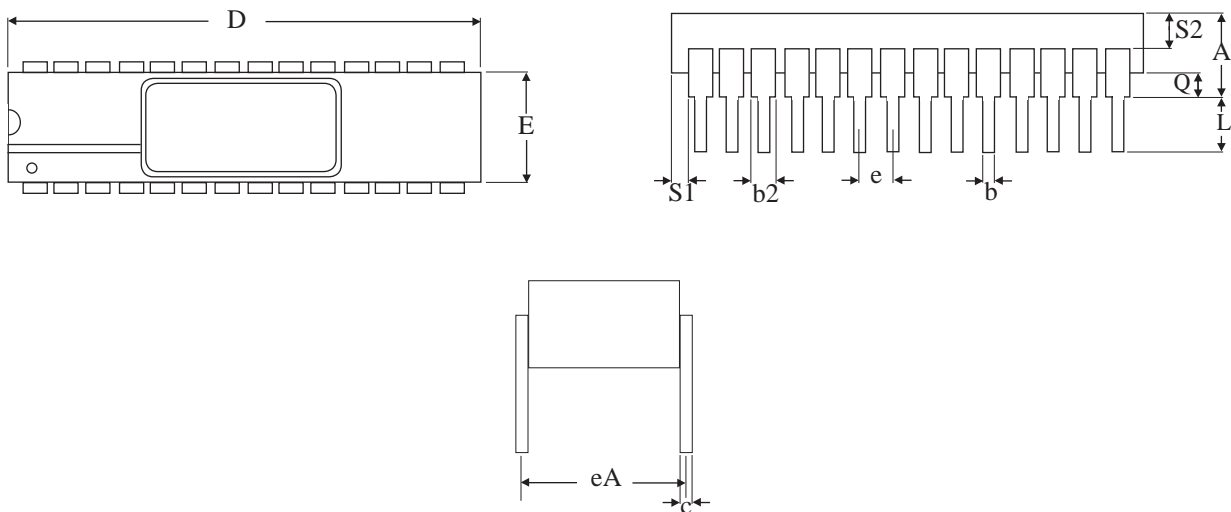
SYMBOL	SMD SPECIFICATIONS	
	MIN	MAX
A	---	0.225
b	0.014	0.026
b2	0.045	0.065
c	0.008	0.018
D	---	1.485
E	0.240	0.310
eA	0.300 BSC	
e	0.100 BSC	
L	0.125	0.200
Q	0.015	0.070
S1	0.005	---
S2	0.005	---

NOTE: These dimensions are per the SMD. Micross' package dimensional limits may differ, but they will be within the SMD limits.

* All measurements are in inches.

MECHANICAL DEFINITIONS*

Micross Case #110 (Package Designator CW)
SMD 5962-88552, Case Outline X



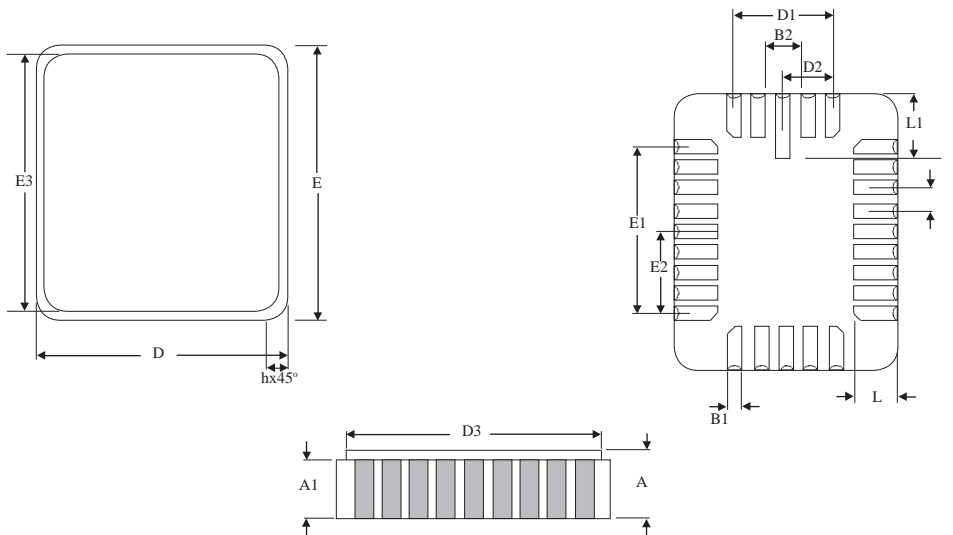
SYMBOL	SMD SPECIFICATIONS	
	MIN	MAX
A	---	0.232
b	0.014	0.026
b2	0.045	0.065
c	0.008	0.018
D	---	1.490
E	0.500	0.610
eA	0.600 BSC	
e	0.100 BSC	
L	0.125	0.200
Q	0.015	0.060
S1	0.005	---
S2	0.005	---

NOTE: These dimensions are per the SMD. Micross' package dimensional limits may differ, but they will be within the SMD limits.

* All measurements are in inches.

MECHANICAL DEFINITIONS*

Micross Case #204 (Package Designator EC)
 SMD 5962-88662, Case Outline U
 SMD 5962-88552, Case Outline M



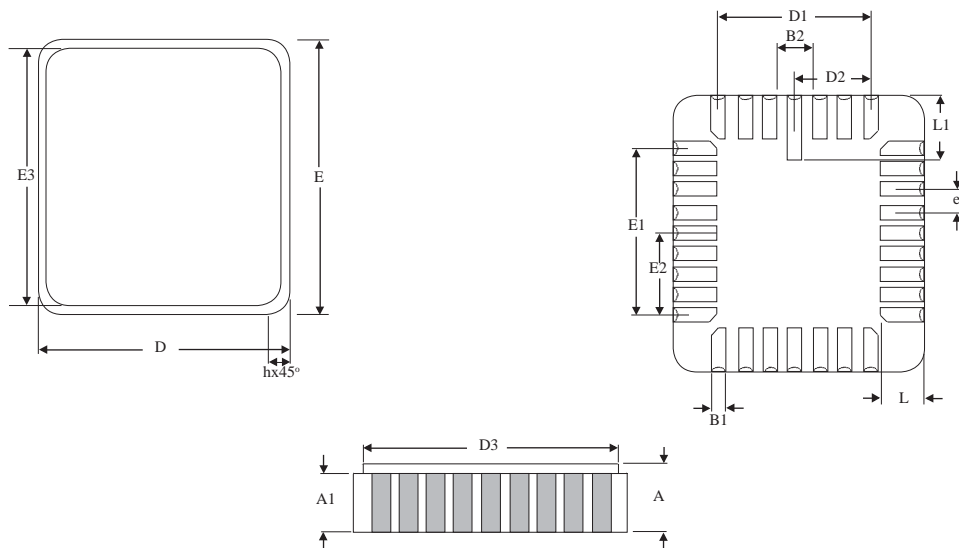
SYMBOL	SMD SPECIFICATIONS	
	MIN	MAX
A	0.060	0.120
A1	0.050	0.088
B1	0.022	0.028
B2	0.072 REF	
D	0.342	0.358
D1	0.200 BSC	
D2	0.100 BSC	
D3	---	0.358
E	0.540	0.560
E1	0.400 BSC	
E2	0.200 BSC	
E3	---	0.558
e	0.050 BSC	
h	0.040 REF	
L	0.045	0.055
L1	0.075	0.095

NOTE: These dimensions are per the SMD. Micross' package dimensional limits may differ, but they will be within the SMD limits.

* All measurements are in inches.

MECHANICAL DEFINITIONS*

Micross Case #208 (Package Designator ECW)
 SMD 5962-88662 & SMD 5962-88552, Case Outline Y



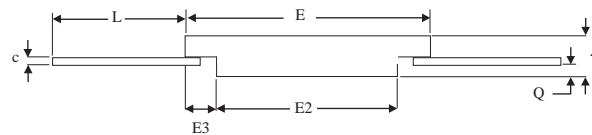
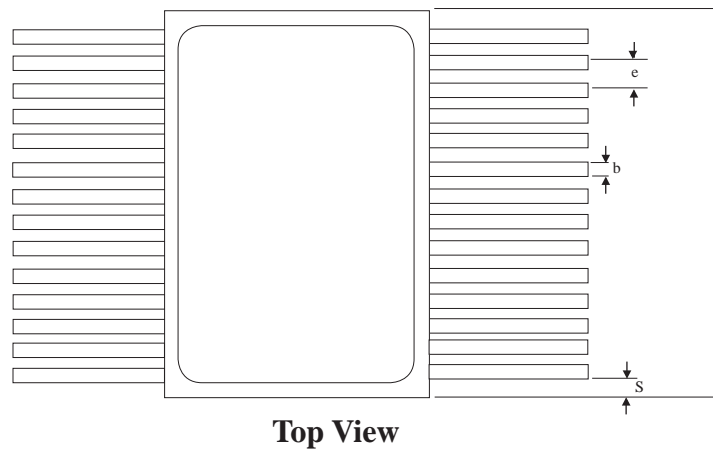
SYMBOL	SMD SPECIFICATIONS	
	MIN	MAX
A	0.060	0.120
A1	0.050	0.088
B1	0.022	0.028
B2	0.072 REF	
D	0.442	0.458
D1	0.300 BSC	
D2	0.150 BSC	
D3	---	0.458
E	0.540	0.560
E1	0.400 BSC	
E2	0.200 BSC	
E3	---	0.558
e	0.050 BSC	
h	0.040 REF	
L	0.045	0.055
L1	0.075	0.095

NOTE: These dimensions are per the SMD. Micross' package dimensional limits may differ, but they will be within the SMD limits.

* All measurements are in inches.

MECHANICAL DEFINITIONS*

Micross Case #302 (Package Designator F)
 SMD 5962-88662 & SMD 5962-88552, Case Outline T



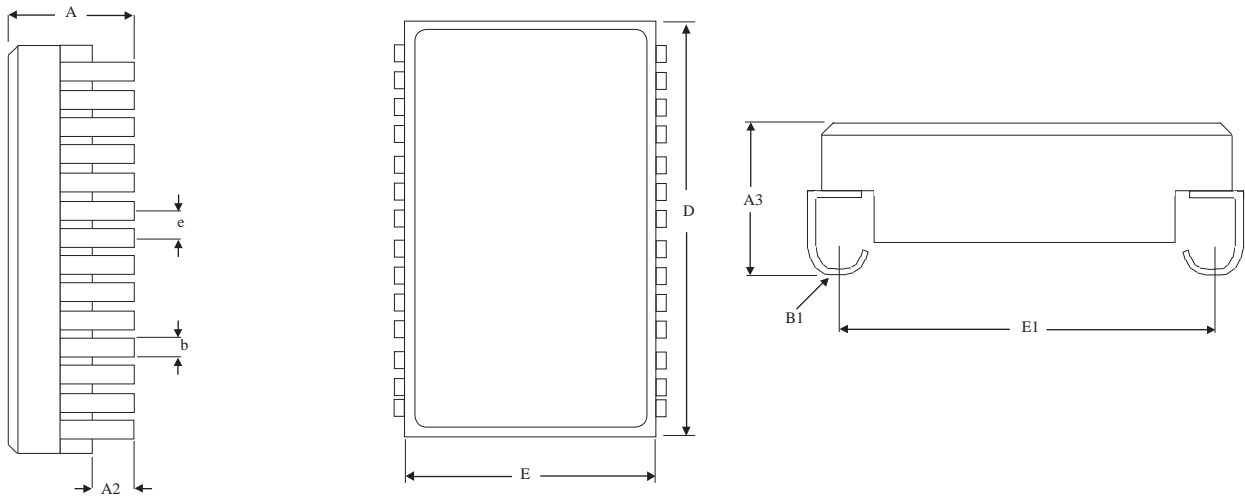
SYMBOL	SMD SPECIFICATIONS	
	MIN	MAX
A	0.090	0.130
b	0.015	0.019
c	0.004	0.009
D	---	0.740
E	0.380	0.420
E2	0.180	---
E3	0.030	---
e	0.050 BSC	
L	0.250	0.370
Q	0.026	0.045
S	0.000	0.045

NOTE: These dimensions are per the SMD. Micross' package dimensional limits may differ, but they will be within the SMD limits.

* All measurements are in inches.

MECHANICAL DEFINITIONS*

Micross Case #500 (Package Designator DCJ)



SYMBOL	MIN	MAX
A	0.116	0.166
A2	0.026	0.036
A3	---	0.166
B1	0.030	0.040
b	0.015	0.019
D	---	0.740
E	0.380	0.420
E1	0.395	0.410
e	0.050 BSC	

* All measurements are in inches.

ORDERING INFORMATION

EXAMPLE: MT5C2568CW-25L/XT

Device Number	Package Type	Speed ns	Options**	Process
MT5C2568	C	-12	L	/*
MT5C2568	CW	-12	L	/*
MT5C2568	C	-15	L	/*
MT5C2568	CW	-15	L	/*
MT5C2568	C	-20	L	/*
MT5C2568	CW	-20	L	/*
MT5C2568	C	-25	L	/*
MT5C2568	CW	-25	L	/*
MT5C2568	C	-35	L	/*
MT5C2568	CW	-35	L	/*
MT5C2568	C	-45	L	/*
MT5C2568	CW	-45	L	/*
MT5C2568	C	-55	L	/*
MT5C2568	CW	-55	L	/*
MT5C2568	C	-70	L	/*
MT5C2568	CW	-70	L	/*
MT5C2568	CW	-100	L	/*

EXAMPLE: MT5C2568ECW-15L/IT

Device Number	Package Type	Speed ns	Options**	Process
MT5C2568	EC	-12	L	/*
MT5C2568	ECW	-12	L	/*
MT5C2568	EC	-15	L	/*
MT5C2568	ECW	-15	L	/*
MT5C2568	EC	-20	L	/*
MT5C2568	ECW	-20	L	/*
MT5C2568	EC	-25	L	/*
MT5C2568	ECW	-25	L	/*
MT5C2568	EC	-35	L	/*
MT5C2568	ECW	-35	L	/*
MT5C2568	EC	-45	L	/*
MT5C2568	ECW	-45	L	/*
MT5C2568	EC	-55	L	/*
MT5C2568	ECW	-55	L	/*
MT5C2568	EC	-70	L	/*
MT5C2568	ECW	-70	L	/*
MT5C2568	ECW	-100	L	/*

EXAMPLE: MT5C2568F-55/XT

Device Number	Package Type	Speed ns	Options**	Process
MT5C2568	F	-12	L	/*
MT5C2568	F	-15	L	/*
MT5C2568	F	-20	L	/*
MT5C2568	F	-25	L	/*
MT5C2568	F	-35	L	/*
MT5C2568	F	-45	L	/*
MT5C2568	F	-55	L	/*
MT5C2568	F	-70	L	/*
MT5C2568	F	-100	L	/*

EXAMPLE: MT5C2568DCJ-70L/IT

Device Number	Package Type	Speed ns	Options**	Process
MT5C2568	DCJ	-12	L	/*
MT5C2568	DCJ	-15	L	/*
MT5C2568	DCJ	-20	L	/*
MT5C2568	DCJ	-25	L	/*
MT5C2568	DCJ	-35	L	/*
MT5C2568	DCJ	-45	L	/*
MT5C2568	DCJ	-55	L	/*
MT5C2568	DCJ	-70	L	/*

*AVAILABLE PROCESSES

IT = Industrial Temperature Range
 XT = Extended Temperature Range
 883C = Full Military Processing

-40°C to +85°C
 -55°C to +125°C
 -55°C to +125°C

**DEFINITION OF OPTIONS

2V Data Retention / Low Power

L



MICROSS TO DLA (DSCC) PART NUMBER CROSS REFERENCE*

Micross Package Designator C & CW

<u>Micross Part #</u>	<u>SMD Part #</u>
AS5C2568C-12L/883C	5962-8855213UA
AS5C2568C-15L/883C	5962-8855212UA
AS5C2568C-17L/883C	5962-8855211UA
AS5C2568C-20L/883C	5962-8855210UA
AS5C2568C-25L/883C	5962-8855206UA
AS5C2568C-35L/883C	5962-8855205UA
AS5C2568C-45L/883C	5962-8855204UA
AS5C2568C-45L/883C	5962-8855209UA
AS5C2568C-55L/883C	5962-8855203UA
AS5C2568C-55L/883C	5962-8855208UA
AS5C2568C-70L/883C	5962-8855202UA
AS5C2568C-70L/883C	5962-8855207UA
AS5C2568C-100L/883C	5962-8855201UA
MT5C2568C-12/883C	5962-8866209NA
MT5C2568C-15/883C	5962-8866208NA
MT5C2568C-20/883C	5962-8866207NA
MT5C2568C-25/883C	5962-8866206NA
MT5C2568C-35/883C	5962-8866205NA
MT5C2568C-45/883C	5962-8866204NA
MT5C2568C-55/883C	5962-8866203NA
MT5C2568C-70/883C	5962-8866202NA
MT5C2568C-100/883C	5962-8866201NA
AS5C2568CW-12L/883C	5962-8855213XA
AS5C2568CW-15L/883C	5962-8855212XA
AS5C2568CW-17L/883C	5962-8855211XA
AS5C2568CW-20L/883C	5962-8855210XA
AS5C2568CW-25L/883C	5962-8855206XA
AS5C2568CW-35L/883C	5962-8855205XA
AS5C2568CW-45L/883C	5962-8855204XA
AS5C2568CW-45L/883C	5962-8855209XA
AS5C2568CW-55L/883C	5962-8855203XA
AS5C2568CW-55L/883C	5962-8855208XA
AS5C2568CW-70L/883C	5962-8855202XA
AS5C2568CW-70L/883C	5962-8855207XA
AS5C2568CW-100L/883C	5962-8855201XA

Micross Package Designator EC & ECW

<u>Micross Part #</u>	<u>SMD Part #</u>
AS5C2568EC-12L/883C	5962-8855213MA
AS5C2568EC-15L/883C	5962-8855212MA
AS5C2568EC-17L/883C	5962-8855211MA
AS5C2568EC-20L/883C	5962-8855210MA
AS5C2568EC-25L/883C	5962-8855206MA
AS5C2568EC-35L/883C	5962-8855205MA
AS5C2568EC-45L/883C	5962-8855204MA
AS5C2568EC-45L/883C	5962-8855209MA
AS5C2568EC-55L/883C	5962-8855203MA
AS5C2568EC-55L/883C	5962-8855208MA
AS5C2568EC-70L/883C	5962-8855202MA
AS5C2568EC-70L/883C	5962-8855207MA
AS5C2568EC-100L/883C	5962-8855201MA
MT5C2568EC-12/883C	5962-8866209UA
MT5C2568EC-15/883C	5962-8866208UA
MT5C2568EC-20/883C	5962-8866207UA
MT5C2568EC-25/883C	5962-8866206UA
MT5C2568EC-35/883C	5962-8866205UA
MT5C2568EC-45/883C	5962-8866204UA
MT5C2568EC-55/883C	5962-8866203UA
MT5C2568EC-70/883C	5962-8866202UA
MT5C2568EC-100/883C	5962-8866201UA
AS5C2568ECW-12L/883C	5962-8855213YA
AS5C2568ECW-15L/883C	5962-8855212YA
AS5C2568ECW-17L/883C	5962-8855211YA
AS5C2568ECW-20L/883C	5962-8855210YA
AS5C2568ECW-25L/883C	5962-8855206YA
AS5C2568ECW-35L/883C	5962-8855205YA
AS5C2568ECW-45L/883C	5962-8855204YA
AS5C2568ECW-45L/883C	5962-8855209YA
AS5C2568ECW-55L/883C	5962-8855203YA
AS5C2568ECW-55L/883C	5962-8855208YA
AS5C2568ECW-70L/883C	5962-8855202YA
AS5C2568ECW-70L/883C	5962-8855207YA
AS5C2568ECW-100L/883C	5962-8855201YA
MT5C2568ECW-12/883C	5962-8866209YA
MT5C2568ECW-15/883C	5962-8866208YA
MT5C2568ECW-20/883C	5962-8866207YA
MT5C2568ECW-25/883C	5962-8866206YA
MT5C2568ECW-35/883C	5962-8866205YA
MT5C2568ECW-45/883C	5962-8866204YA
MT5C2568ECW-55/883C	5962-8866203YA
MT5C2568ECW-70/883C	5962-8866202YA
MT5C2568ECW-100/883C	5962-8866201YA

*Micross part number is for reference only. Orders received referencing the SMD part number will be processed per the SMD.

MICROSS TO DLA (DSCC) PART NUMBER CROSS REFERENCE*

Micross Package Designator F

<u>Micross Part #</u>	<u>SMD Part #</u>
AS5C2568F-12L/883C	5962-8855213TA
AS5C2568F-15L/883C	5962-8855212TA
AS5C2568F-17L/883C	5962-8855211TA
AS5C2568F-20L/883C	5962-8855210TA
AS5C2568F-25L/883C	5962-8855206TA
AS5C2568F-35L/883C	5962-8855205TA
AS5C2568F-45L/883C	5962-8855204TA
AS5C2568F-45L/883C	5962-8855209TA
AS5C2568F-55L/883C	5962-8855203TA
AS5C2568F-55L/883C	5962-8855208TA
AS5C2568F-70L/883C	5962-8855202TA
AS5C2568F-70L/883C	5962-8855207TA
AS5C2568F-100L/883C	5962-8855201TA
MT5C2568F-12/883C	5962-8866209TA
MT5C2568F-15/883C	5962-8866208TA
MT5C2568F-20/883C	5962-8866207TA
MT5C2568F-25/883C	5962-8866206TA
MT5C2568F-35/883C	5962-8866205TA
MT5C2568F-45/883C	5962-8866204TA
MT5C2568F-55/883C	5962-8866203TA
MT5C2568F-70/883C	5962-8866202TA
MT5C2568F-100/883C	5962-8866201TA

* Micross part number is for reference only. Orders received referencing the SMD part number will be processed per the SMD.

DOCUMENT TITLE

32K x 8 SRAM SRAM MEMORY ARRAY

<u>Rev #</u>	<u>History</u>	<u>Release Date</u>	<u>Status</u>
4.7	Updated DLA part number cross reference	October 2011	Release