



# AS8515

## Data Acquisition System with Power Management and LIN Transceiver for 12V Battery Sensor Applications

### 1 General Description

The AS8515 is designed for simultaneous measurement of shunt current sensor signal and battery voltage by two independent ADC channels. Both channels can measure small signals up to  $\pm 219$  mV versus ground through programmable gain amplifier or larger signals in the 1V range without amplifier. After analog to digital conversion and digital filtering, the resulting digital values are accessible through 4-wire serial interface. The device is powered directly from the battery through LDO and provides a 3.3V supply for an external microcontroller. For communication with the next level ECU, the device offers a LIN 2.1 transceiver. Measurement of battery voltage is supported through resistive attenuator with disable for power saving in standby.

The device is a stacked die system providing a high voltage CMOS IC for power management and transceiver functions as a *Top die* and low voltage sensor interface functions as a *Bottom die* inside a 32-pin MLF (5x5 mm) package.

### 2 Key Features

- A precision voltage attenuator with power down facility
- LIN 2.1 transceiver
- Power-On Reset with programmable reset timeout and brown-out detection through factory setting
- A window Watchdog function in the normal mode and a timeout Watchdog in the device standby mode as a factory option
- Load dump protection (42V) for all battery supplied pins and Enable pin
- Internal reverse polarity protection (up to -27V) for all battery-sensing pins, and LIN bus pin
- Over temperature warning & shutdown functions
- Two independent high resolution A/D converters with programmable over sampling ratio
- Programmable sampling rate up to 4kHz throughput
- Programmable gain, low noise amplifier for current channel with gain stages 5, 25, 40, 100

- Internal temperature sensor
- Synchronous acquisition for both ADC channels
- Reference-voltage source (high precision and high stability)
- Offset auto zero architecture on both channels
- Current monitoring comparator with interrupt signal generation and  $\mu$ C clock enable. Timer with 2 related outputs for single shot sampling of current and voltage channel in low power mode.
- Precision on chip RC oscillator or external clock. Low slew, low EMC clock output which can be used by external microcontroller which is enabled respectively disabled by mode control through SPI and interrupt from current monitor in low power mode.

The integrated circuit can execute measurements with internal and external sensors and sources for the voltage channel and with external sensor for the current channel.

#### *External Sensors:*

- Current measurement via Shunt resistor (4 ranges)
- Battery voltage (internal voltage divider to battery)
- ETR and ETS for external temperature sensor (with switchable current source)

#### *Internal Sensors:*

- On chip temperature sensor
- Internal current sources for functional test of measurement path and the connection of shunt resistor

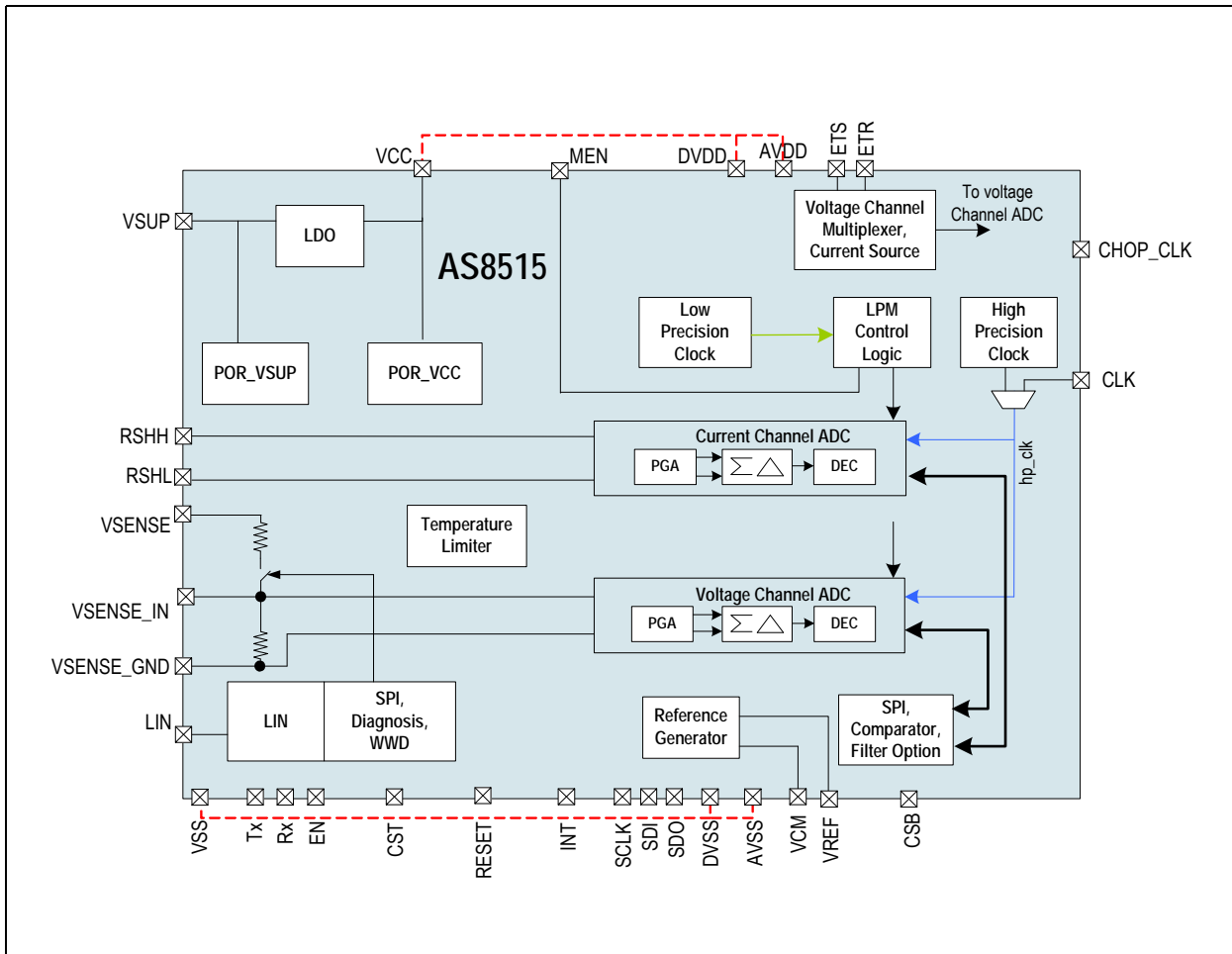
### 3 Applications

The AS8515 is suitable for battery sensors, having shunt current sensor at minus pole. For lead acid, Li-Ion batteries up to 18V nominal, 42V over voltage capability.

The device is also ideal as a general purpose sensor interface for automotive LIN slaves.



Figure 1. AS8515 Block Diagram





## Contents

1	General Description .....	1
2	Key Features.....	1
3	Applications.....	1
4	Pin Assignments .....	5
4.1	Pin Descriptions.....	5
5	Absolute Maximum Ratings .....	7
6	Electrical Characteristics.....	8
6.1	Operating Conditions.....	8
6.2	DC/AC Characteristics for Digital Inputs and Outputs .....	8
6.3	System Specifications .....	10
7	AS8515 Top Die Overview .....	11
7.1	Voltage Attenuator .....	11
7.2	Voltage Regulators (LDO) .....	11
7.3	LIN Transceiver .....	11
7.4	Temperature Monitor/Limiter.....	11
7.5	VSUP Under-voltage Reset.....	12
7.6	Reset .....	12
7.7	VCC Under-voltage Reset.....	12
7.8	Window Watchdog (WWD).....	13
7.9	Timeout Watchdog (TWD).....	13
7.10	Modes of Operation .....	14
7.10.1	Normal Mode .....	15
7.10.2	Standby Mode.....	15
7.10.3	Temporary Shutdown Mode .....	15
7.10.4	Thermal Shutdown Mode.....	15
7.11	Initialization .....	16
7.12	Wake-up .....	17
7.12.1	Remote Wake-up Event.....	17
7.13	LIN BUS Transceiver .....	18
7.13.1	Transmit Mode.....	18
7.13.2	Receive Mode.....	18
7.14	Rx and Tx Interface .....	19
7.14.1	Input Tx.....	19
7.14.2	Output Rx.....	19
7.15	MODE Input EN.....	20
7.16	Top Die Block Specifications .....	21
7.16.1	Voltage Attenuator .....	21
7.16.2	Voltage Regulator (LDO) .....	22
7.16.3	VCC Power-on-Reset .....	22
7.16.4	VSUP Power-on-Reset.....	22
7.16.5	Window Watchdog Timer.....	23
7.16.6	LIN Transceiver .....	23
7.17	Timing Diagrams .....	24

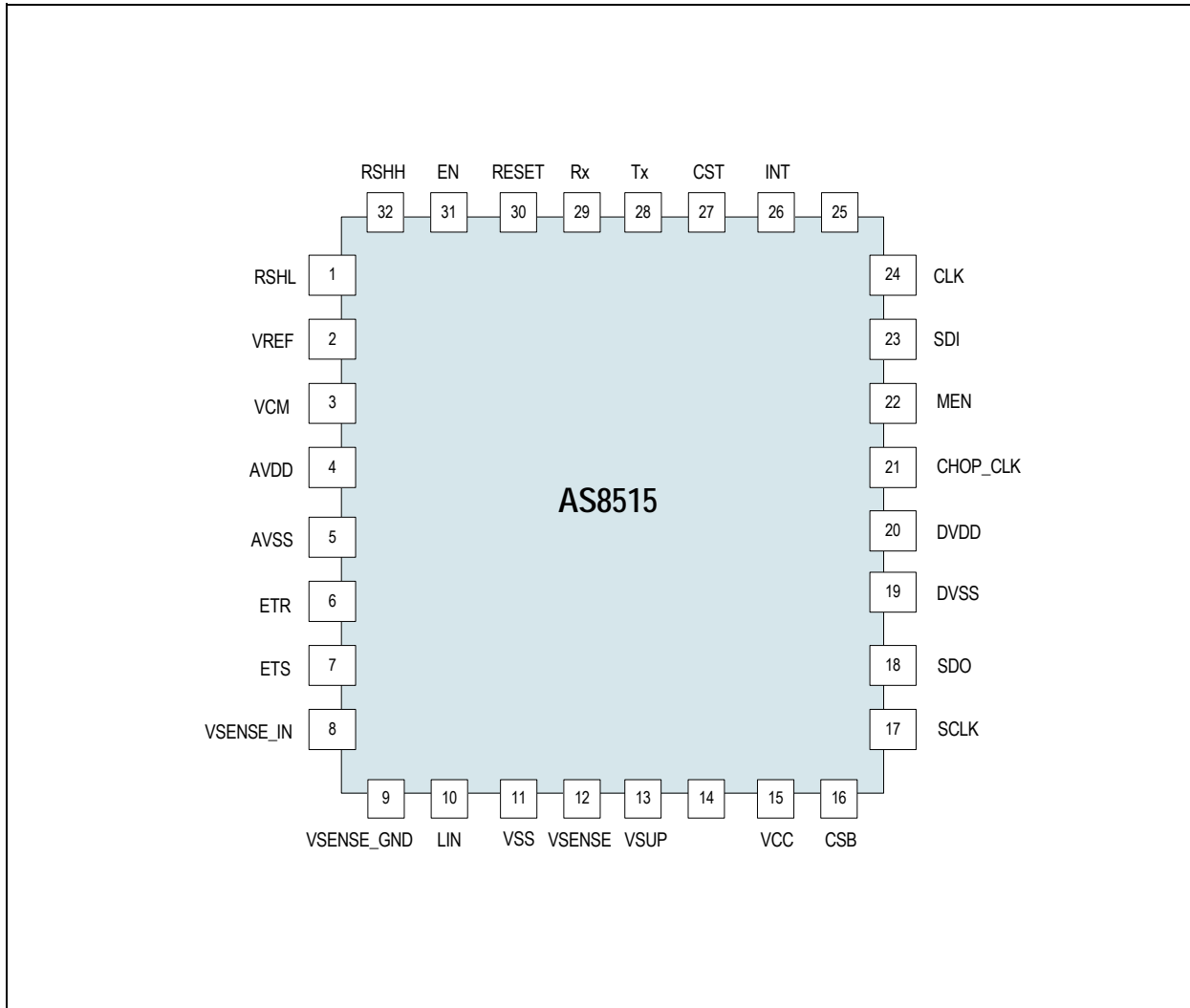


7.17.1 Tx Timeout Watchdog.....	26
7.17.2 Temperature Limiter .....	26
7.18 Top Die Registers .....	26
<b>8 AS8515 Bottom Die Overview .....</b>	<b>28</b>
8.1 Current Measurement Channel .....	28
8.2 Voltage/Temperature Measurement Channel.....	28
8.3 Digital Implementation of Measurement Path.....	29
8.4 Reference-Voltage.....	29
8.5 Oscillators.....	29
8.6 Power-On Reset.....	29
8.7 Modes of Operation .....	30
8.7.1 Normal Mode 1 (NOM1) .....	31
8.7.2 Normal Mode 2 (NOM2) .....	31
8.7.3 Standby Mode1 (SBM1) .....	32
8.7.4 Standby Mode2 (SBM2) .....	33
8.8 Initialization Sequence at Power ON .....	33
8.8.1 Soft-reset of Device Using Bit D[7] of Reset Register 0x09.....	34
8.8.2 Soft-reset of the Measurement Path Using Bit D[7] of Reset Register 0x09 .....	35
8.8.3 Reconfiguring Gain Setting of PGA .....	35
8.8.4 Configuring the Device During Normal Mode .....	35
8.8.5 Standby Mode - Power Consumption.....	36
8.9 Bottom Die Block Specifications.....	36
8.9.1 Current Measurement Ranges (across 100 $\mu\Omega$ ( $\pm 5\%$ ) shunt resistor).....	36
8.9.2 System Specifications.....	43
<b>9 4-Wire SPI Interface.....</b>	<b>44</b>
9.1 SPI Timing Parameters .....	44
9.1.1 SPI Frame.....	45
9.1.2 Write Command.....	45
9.1.3 Read Command.....	46
9.1.4 Timing .....	47
9.2 Bottom Die Registers.....	48
<b>10 Application Information .....</b>	<b>60</b>
<b>11 Package Drawings and Markings.....</b>	<b>61</b>
<b>12 Ordering Information.....</b>	<b>64</b>



## 4 Pin Assignments

Figure 2. Pin Assignments (Top View)



### 4.1 Pin Descriptions

Table 1. Pin Descriptions

Pin Name	Pin Number	Pin Type	Description
RSHL	1	Analog input	Negative differential input for current channel
VREF	2	Analog output	Internal reference voltage to Sigma Delta ADC; Connect 100nF to AVSS from this pin.
VCM	3	Analog output	Common mode voltage to the internal measurement path; Connect 100nF to AVSS from this pin.
AVDD <sup>1</sup>	4	Analog input	+3.3V Power-supply; Supplied by LDO output (VCC) in <i>Top die</i> ; Should be shorted to pin 21 (VCC) externally.
AVSS <sup>2</sup>	5	Power supply	0V Power-supply Ground analog



Table 1. Pin Descriptions

Pin Name	Pin Number	Pin Type	Description
ETR	6	Analog input	Voltage channel single ended input
ETS	7		
VSENSE_IN	8	Analog I/O	Battery voltage attenuator output and voltage channel input
VSENSE_GND	9	Analog input	Input signal for voltage channel (low)
LIN	10	Analog I/O	LIN BUS
VSS <sup>2</sup>	11	Power supply	0V Power-supply Ground analog
VSENSE	12	Analog input	Battery voltage input Connect 100nF to VSS from this pin.
VSUP	13	Power supply	Supply input from battery (through external reverse polarity protection device)
-	14	-	-
VCC <sup>1</sup>	15	Analog output	Regulated 3.3V output supply for loads up to 50mA
CSB	16	Digital input	Chip select for <i>Bottom die</i>
SCLK	17	Digital input	Clock signal SPI
SDO	18	Digital output	Data signal SDO
DVSS <sup>2</sup>	19	Power supply	0V Power-supply digital
DVDD <sup>1</sup>	20	Analog input	+3.3V Power-supply; Supplied by LDO output (VCC) in <i>Top die</i> ; Should be shorted to pin 21(VCC) externally.
CHOP_CLK	21	Digital output	Chopper clock
MEN	22	Digital I/O	Digital output for <i>Bottom die</i> in SBM mode <sup>3</sup> and input for <i>Top die</i>
SDI	23	Digital input	Data signal SDI
CLK	24	Digital I/O	Internal/External digital clock signal
-	25	-	-
INT	26	Digital output	Interrupt not: Wake-up, digital interrupt, ready flag 2
CST	27	Digital input	Chip select for <i>Top die</i>
Tx	28	Digital input	LIN transceiver transmit pin
Rx	29	Digital output	LIN transceiver receive pin
RESET	30	Digital output	Reset output (open drain)
EN	31	Digital input	Enable input
RSHH	32	Analog input	Positive differential input for current channel

1. Pin #4, pin #20 and pin #15 needs to be shorted externally on the board. Pin #21 is the LDO output that supplies pin #4 and pin #20.
2. Pin #5, pin #11 and pin #19 needs to be shorted externally on the board as they are the grounds.
3. Use as output port only.



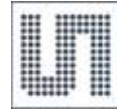
## 5 Absolute Maximum Ratings

Stresses beyond those listed in [Table 2](#) may cause permanent damage to the device. These are stress ratings only, and functional operation of the device at these or any other conditions beyond those indicated in [Electrical Characteristics on page 8](#) is not implied. Exposure to absolute maximum rating conditions for extended periods may affect device reliability.

Table 2. Absolute Maximum Ratings

Symbol	Parameter	Min	Typ	Max	Units	Comments
<b>Electrical Parameters</b>						
VSUP	Supply voltages	-0.3		42	V	
VSENSE	Battery voltage inputs	-27		42	V	
AVDD, DVDD	DC supply voltage	-0.3		5	V	
EN	Enable input	-0.3		42	V	
VCC	Regulated output supplies	-0.3		5	V	VCC generated by <i>Top die</i> must not be larger than 5V on board level as it has to be connected with <i>Bottom die</i> AVDD and AVCC
LIN	LIN bus	-27		40	V	
	Analog & digital inputs and outputs	-0.3		5	V	
	Input current (latch-up immunity)	-100		100	mA	Norm: AEC-Q100-004
<b>Electrostatic Discharge</b>						
ESD	Electrostatic discharge Norm: AEC-Q100-002	±6			kV	LIN, VSS
		±4			kV	VSUP, VSENSE
		±2			kV	All other pins
<b>Continuous Power Dissipation</b>						
$P_{tot}^1$	Total operating power dissipation (all supplies and outputs)			0.375	W	MLF-32 in still air, soldered on JEDEC standard board @125° ambient, static operation = no time limit
<b>Temperature Ranges and Storage Conditions</b>						
$R_{\theta}$	Package thermal resistance		34	40	°C/W	
$T_{stg}$	Storage temperature	-55		150	°C	
$T_J$	Junction temperature			130	°C	
$T_{BODY}$	Package body temperature			260	°C	<i>The reflow peak soldering temperature (body temperature) specified is in accordance with IPC/JEDEC J-STD-020 "Moisture/Reflow Sensitivity Classification for Non-Hermetic Solid State Surface Mount Devices". The lead finish for Pb-free leaded packages is matte tin (100% Sn).</i>
	Humidity non-condensing	5		85	%	
MSL	Moisture Sensitive Level	3				Represents a maximum floor time of 168h

1. Total power dissipation cannot exceed 0.375W to avoid increase in junction temperature, i.e. greater than 130°C. VCC LDO can supply current externally, which is not greater than 17mA at 18V VSUP and 20mA at 16V VSUP.



## 6 Electrical Characteristics

Unless otherwise noted in this specification, all defined tolerances of parameters are assured over the whole operation conditions range and also over lifetime.

### 6.1 Operating Conditions

Table 3. Operating Conditions

Symbol	Parameter	Min	Typ	Max	Unit	Note
V <sub>SUP</sub>	Supply voltages	4.3		18	V	
V <sub>SENSE</sub>	Battery voltage input	4.5		18	V	
AVDD	Positive supply voltage	3.15		3.45	V	
AVSS	Negative supply voltage	0		V		
DVDD	Positive digital supply voltage	3.15		3.45	V	Referring to DVSS, Typical $\pm 10\%$
DVSS	Negative digital supply voltage	0			V	
LIN	LIN bus	0		18	V	
EN	Enable input	0		18	V	
VCC	Regulated output supply	3.15		3.45	V	
T <sub>AMB</sub>	Ambient temperature	-40		115	°C	Maximum junction temperature (T <sub>J</sub> ) is 130°C
I <sub>SUP</sub> <sup>1</sup>	Supply current			27	mA	
f <sub>CLK</sub>	System clock frequency		8.192		MHz	When external clock is selected, internal clock will be 4.096 MHz

1. Total power dissipation cannot exceed 0.375W to avoid increase in junction temperature, i.e. greater than 130°C. VCC LDO can supply current externally, which is not greater than 17mA at 18V V<sub>SUP</sub> and 20mA at 16V V<sub>SUP</sub>.

### 6.2 DC/AC Characteristics for Digital Inputs and Outputs

All pull-up, pull-downs have been implemented with active devices. SDO have been measured with 10pF load.

#### INT Output.

Table 4. INT

Symbol	Parameter	Condition	Min	Typ	Max	Unit
V <sub>OH</sub>	High level output voltage		2.5			V
V <sub>OL</sub>	Low level output voltage				0.4	V
I <sub>O</sub>	Output current				4	mA

#### CST, CSB, TxD.

Table 5. CST, CSB

Symbol	Parameter	Condition	Min	Typ	Max	Unit
V <sub>IH</sub>	High level input voltage		0.8*VCC			V
V <sub>IL</sub>	Low level input voltage				0.2*VCC	V
I <sub>LEAK</sub>	Input leakage current		-1		+1	μA
I <sub>PU</sub>	Pull-up current	Pulled to GND	-150		-10	μA



**SDI, SCLK.**

Table 6. SDI, SCLK

Symbol	Parameter	Condition	Min	Typ	Max	Unit
V <sub>IH</sub>	High level input voltage		0.8*VCC			V
V <sub>IL</sub>	Low level input voltage				0.2*VCC	V
I <sub>LEAK</sub>	Input leakage current		-1		+1	μA

**SDO Output.**

Table 7. SDO

Symbol	Parameter	Condition	Min	Typ	Max	Unit
V <sub>OH</sub>	High level output voltage		2.5			V
V <sub>OL</sub>	Low level output voltage				0.4	V
I <sub>O</sub>	Output current				4	mA

**CHOP\_CLK Output.**

Table 8. CHOP\_CLK

Symbol	Parameter	Conditions	Min	Typ	Max	Units
V <sub>OH</sub>	High level output voltage		2.5			V
V <sub>OL</sub>	Low level output voltage				0.4	V
I <sub>O</sub>	Output current				4	mA

**EN Input.**

Table 9. EN

Symbol	Parameter	Conditions	Min	Typ	Max	Units
V <sub>IH</sub>	High level input voltage		0.8*VCC			V
V <sub>IL</sub>	Low level input voltage				0.2*VCC	V
I <sub>LEAK</sub>	Input leakage current	EN = VSS	-1		+1	μA
I <sub>pd_en</sub>	Pull-down current	Pulled up to VCC	30		100	μA

**CLK I/O.**

Table 10. CLK I/O

Symbol	Parameter	Condition	Min	Typ	Max	Unit
V <sub>IH</sub>	High level input voltage		2.4			V
V <sub>IL</sub>	Low level input voltage				1	V
I <sub>LEAK</sub>	Input leakage current		-1		+1	μA
I <sub>PD_EN</sub>	Pull-down current		10		100	μA
I <sub>O</sub>	Output current				4	mA
V <sub>OH</sub>	High level output voltage		2.5			V
V <sub>OL</sub>	Low level output voltage				0.4	V

**MEN Output.**

Table 11. MEN

Symbol	Parameter	Conditions	Min	Typ	Max	Units
V <sub>OH</sub>	High level output voltage		2.5			V
V <sub>OL</sub>	Low level output voltage				0.4	V
I <sub>O</sub>	Output current				2	mA

**Rx Output.**

Table 12. Rx

Symbol	Parameter	Conditions	Min	Typ	Max	Units
V <sub>OH</sub>	High level output voltage		VCC-0.5			V
V <sub>OL</sub>	Low level output voltage				VSS+0.4	V
I <sub>O</sub>	Output Current				1	mA
I <sub>pu_reset</sub>	Pull-up current	Pulled down to VSS	-30		-100	μA

**RESET Output.**

Table 13. RESET

Symbol	Parameter	Conditions	Min	Typ	Max	Units
V <sub>OH</sub>	High level output voltage		2.5			V
V <sub>OL</sub>	Low level output voltage				0.4	V
I <sub>O</sub>	Output current	Open Drain Pull-down			8	mA

**6.3 System Specifications**

Table 14. System Specifications

Symbol	Parameter	Condition	Min	Typ	Max	Unit
I <sub>vsupnom</sub>	Current consumption in normal mode	No load on VCC, LIN bus in dominant state			7	mA
I <sub>vsupstdby</sub>	Current consumption standby	No load on VCC, LIN bus in recessive state		80		μA

**Note:** Stand by mode power consumption is sum of stop mode power consumption and average of normal mode power consumption over a period of 2s (NOM1 time of device is low in Standby mode).



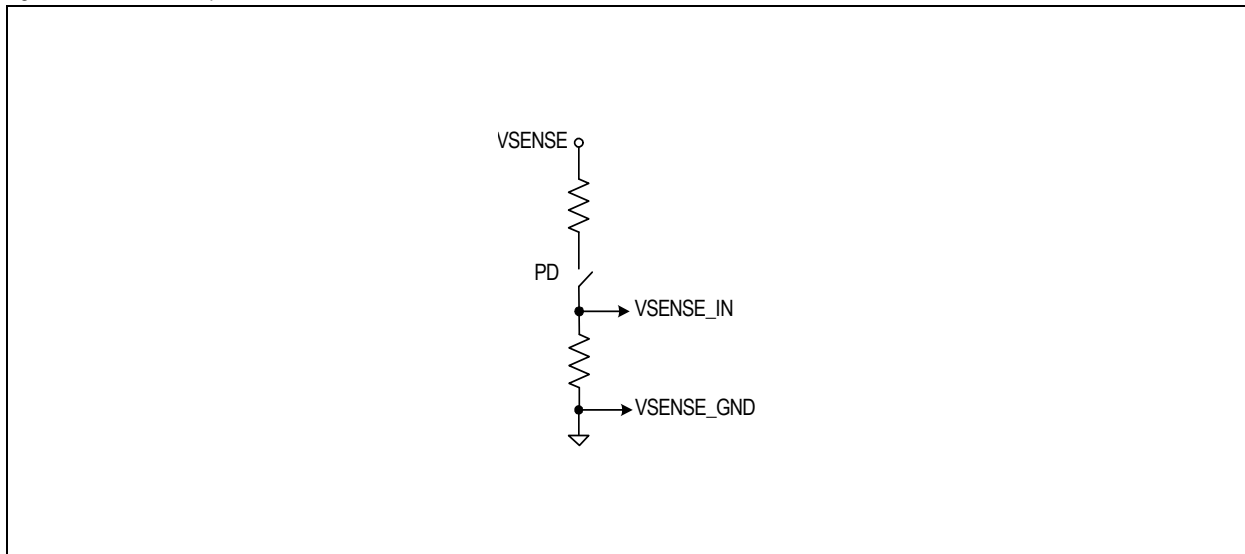
## 7 AS8515 Top Die Overview

The AS8515 *Top die* consists of a resistive divider, a low dropout regulator, and a LIN bus transceiver. Additionally integrated are a RESET unit with a power-on-reset delay, programmable window watchdog and timeout watchdog timers as a factory programming option. It also includes a watchdog timeout on LIN Tx node to indicate if the Microcontroller is stuck in a loop and the LIN bus remains in dominant time for more than the necessary time.

### 7.1 Voltage Attenuator

A resistive divider is used as a battery voltage attenuator. Like the amplifier, the attenuator can be enabled or disabled through SPI, and in the device standby mode, we additionally need logic high on MEN pin for enabling. Internal reverse polarity protection is provided for VSENSE pin.

Figure 3. Attenuator Implementation



### 7.2 Voltage Regulators (LDO)

The device has a low-dropout voltage regulator named LDO, 3.3V voltage outputs. The output of the LDO is VCC. The regulator is always ON except when the device enters the over-temperature shutdown.

The regulator has in-built short-circuit current limitation feature. The regulator can be temporarily shut down for hard reset of the external circuitry by configuring the device to temporary shutdown mode through SPI.

The LDO power-up happens when the POR-VSUP event occurs (RESET\_VSUP\_N switching from low to high). The LDO will be switched off if there is an under voltage on VCC, that is, when RESET\_VCC\_N switches back to low.

### 7.3 LIN Transceiver

The device has a LIN transceiver with slew-controlled bus driver for controlling the electromagnetic emissions from the LIN bus. Further, the slew rate is independent of the bus load. The transmitter relays the data from the LIN controller (Tx pin) to the bus (LIN pin), and the receiver provides the data on the bus to the controller (Rx pin). The transceiver conforms to the LIN 2.1 standard.

The LIN transceiver has a timeout watchdog for Tx. After the timeout, the LIN bus will be released to the recessive state from the dominant state.

The bus driver has an in-built short-circuit current limitation facility to protect the device from damage when there is a short between the bus and the supply. In addition to the data receiver, there is a low-power receiver active in the device standby mode which received a wake-up event from the LIN bus to bring the device to normal mode.

### 7.4 Temperature Monitor/Limiter

The temperature limiter circuit powers down the device when the junction temperature exceeds 170°C (nominal). It also issues an over-temperature warning at 160°C (nominal). The device is powered up again when the junction temperature falls below 140°C (nominal). The over-temperature warning flag is also cleared at this temperature.

The temperature limiter circuit can be optionally disabled through SPI.



### 7.5 VSUP Under-voltage Reset

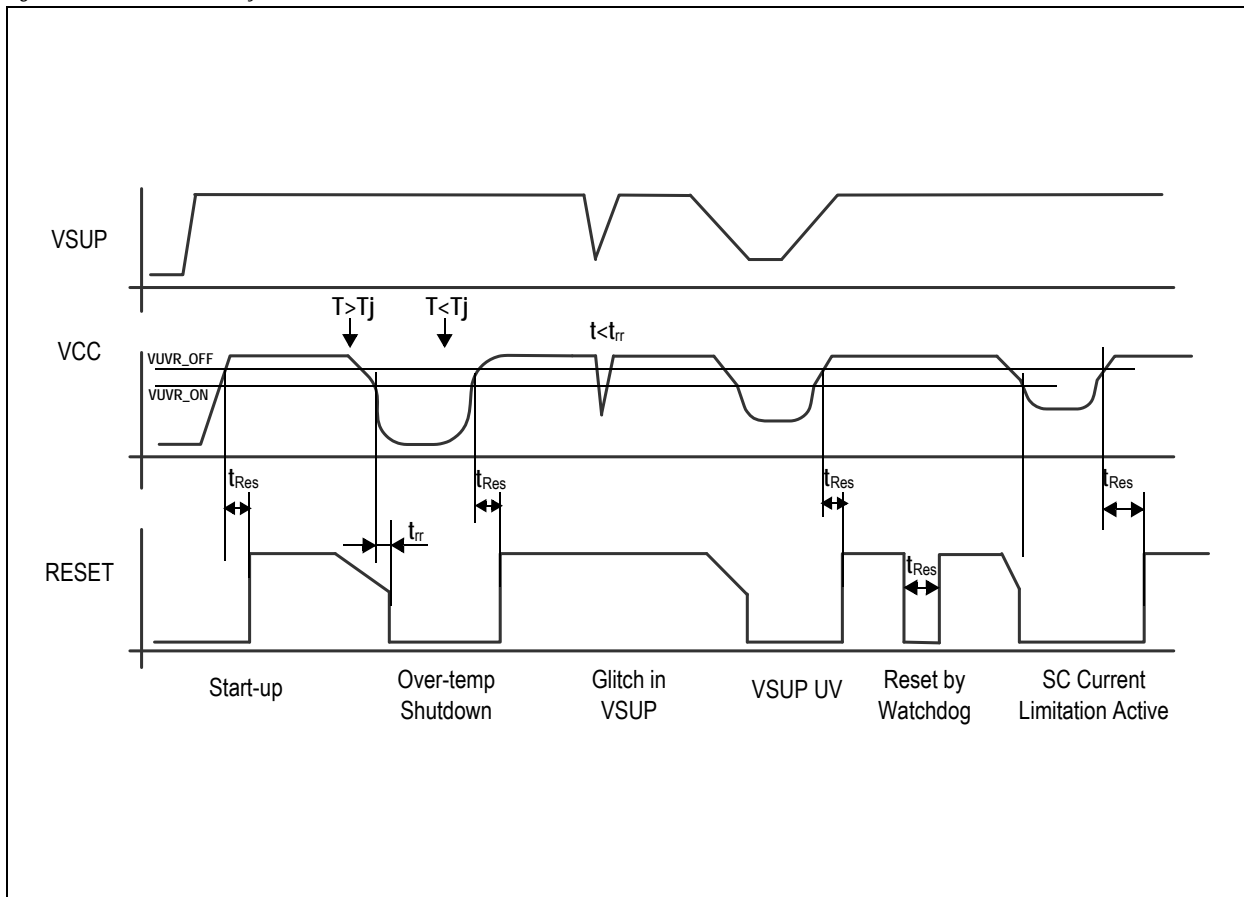
When VSUP drops below VSUVR\_ON, the RESET\_VSUP\_N switches back to low level. This is treated as a master reset and will have the highest priority over all other signals. In this case, the regulators, LIN transceiver, and all other blocks are shut off, and the device comes to a complete stop. The device returns to the normal mode when VSUP rises over VSUVR\_OFF again irrespective of the mode it was in prior to this under-voltage condition.

### 7.6 Reset

RESET module generates an active-low reset signal for the external circuitry supplied by VCC. The behavior of the reset output is depicted in Figure 4 in different cases. As shown, RESET signal is affected by an under-voltage condition on VCC and Watchdogs which are described in detail in the subsequent sections.

The reset period can be one-time programmed to 4, 16 and 32 ms with a default value of 8 ms.

Figure 4. Reset Functionality



### 7.7 VCC Under-voltage Reset

When VCC drops below VUVR\_ON, the RESET\_VCC\_N switches back to low level. This event generates a reset output. The reset output is released again only a reset period ( $t_{Res}$ ) later after VCC rises above VUVR\_OFF. If the time difference between the VCC falling below VUVR\_ON and rising above VUVR\_OFF is less than  $t_{rr}$ , there will be no reset output. The reset output is affected in the conditions like over-temperature shutdown and temporary shutdown only through VCC under voltage.

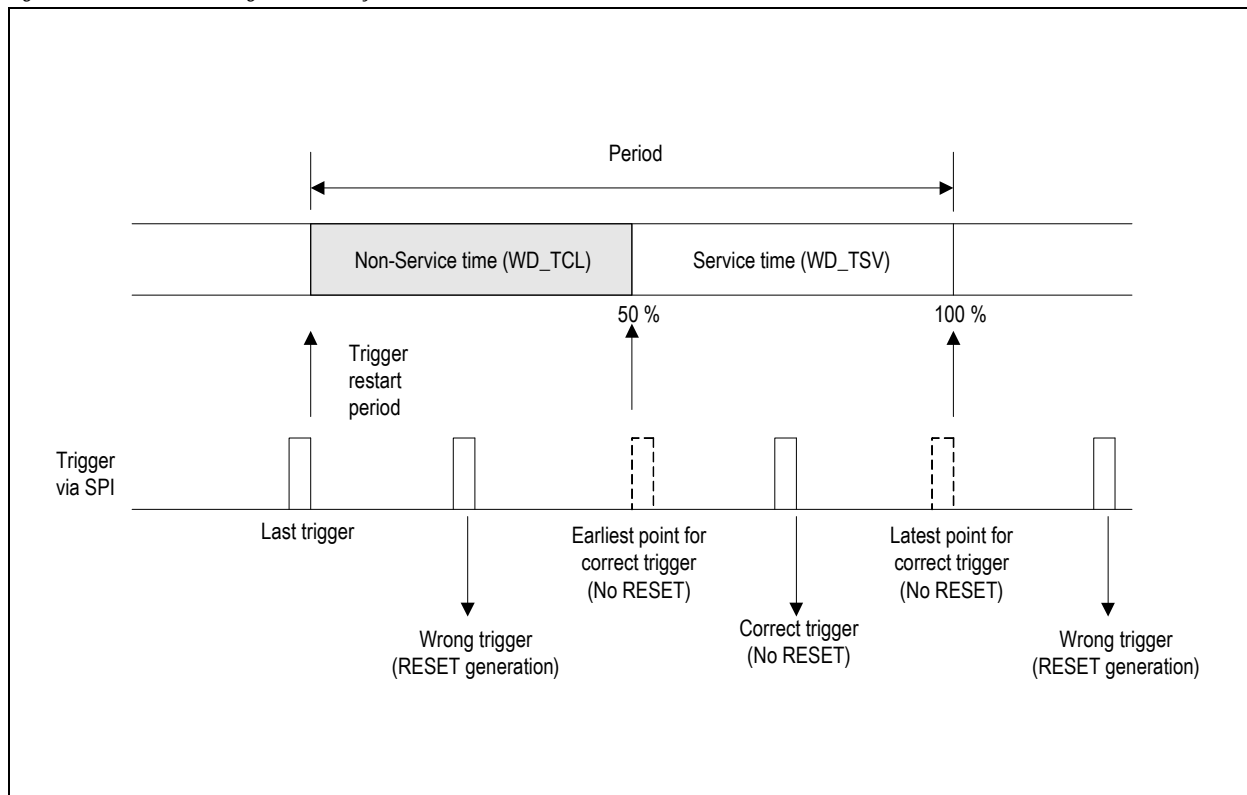


## 7.8 Window Watchdog (WWD)

The Window Watchdog ensures that the Microcontroller is properly functioning in the normal mode of the device. The Watchdog is started after a reset and the Microcontroller needs to send a trigger in the window of WD\_TSV (service time). If the trigger occurs early, in the period WD\_TCL, or after WD\_TSV, a reset output is generated.

The Microcontroller can access the trigger bit for the watchdog through SPI. The WWD can be enabled and the window times can be programmed through factory setting and enabled as a factory option.

Figure 5. Window Watchdog Functionality



## 7.9 Timeout Watchdog (TWD)

The Timeout Watchdog ensures that the Microcontroller is in proper functional state in the device standby mode. The Watchdog timer will be started upon a rising edge on INT and will generate a reset output if the Microcontroller doesn't send a trigger before the timeout.

The Microcontroller can access the trigger bit for the watchdog through SPI. The TWD can be enabled by factory setting and the timeout interval can be programmed through SPI.



### 7.10 Modes of Operation

The AS8515 *Top die* provides the following four main operating modes:

- Normal Mode
- Standby Mode
- Temporary Shutdown Mode
- Thermal Shutdown Mode

The LIN transceiver can be programmed to operate with lower slew in the normal mode. See Figure 6 for a detailed state transition diagram. Soft states like “TxWD Wait”, “Standby Wait”, and other wait states have also been included in the state diagram for completeness.

Figure 6. Finite State Machine Model of AS8515 Top Die

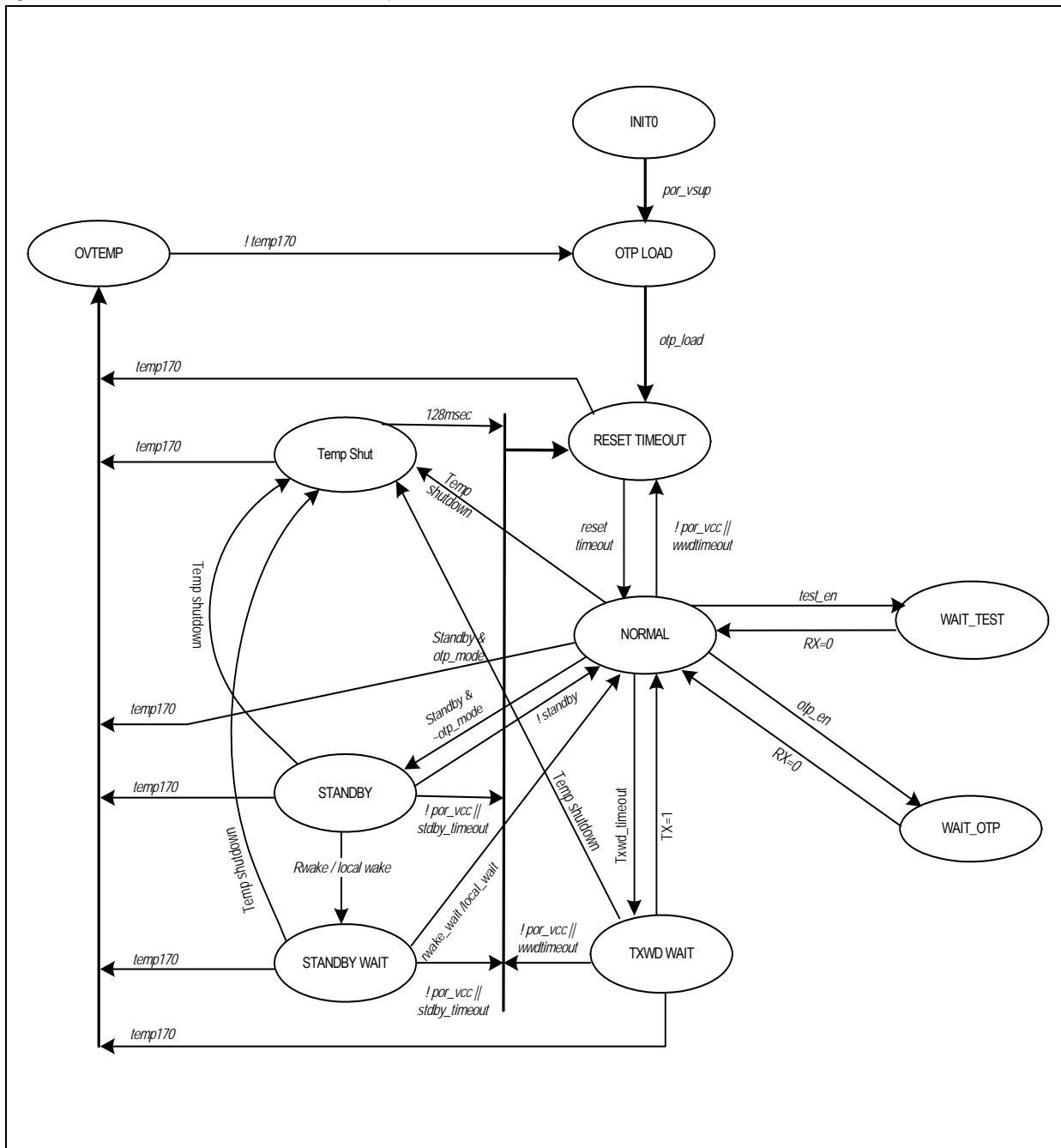




Table 15. Transition Table

Transition		Interface				Reg. 0x05 D0	Flags				Comments
From Mode	To Mode	LIN	Rx	Tx	EN		Rwake	UVSENSE	OT	UVCC	
Normal Mode	Stand-By	X-RS	X-H <sup>1</sup>	H <sup>2</sup>	H-L <sup>2</sup>	L	X	X	inactive	inactive	Tx is high for T <sub>STNDY_trigger</sub>
	Temporary Shutdown	X-RS	X-H <sup>1</sup>	X	H	H <sup>2</sup>	X	X	inactive	set	The Control Bit is set through the 4-Wire SPI interface
	Over-Temperature	X-RS	X-H <sup>1</sup>	X	X	L	X	X	set	set	Temperature monitor output asserted (covered by scan)
Standby Mode	Normal (LW)	X	H-X <sup>1</sup>	X	L-H <sup>2</sup>	L	X	X	inactive	inactive	
	Normal (RW)	X	H-X <sup>1</sup>	H	X	L	set	X	inactive	inactive	Remote Wake up Event occurred on LIN
	Temporary Shutdown	RS	H <sup>1</sup>	H	L	H <sup>2</sup>	X	X	inactive	set	The Control bit is set through the 4-Wire SPI interface
	Over-Temperature	RS	H <sup>1</sup>	H	L	L	X	X	set	set	Temperature monitor output asserted (covered by scan)
Temporary Shutdown Mode	Normal	RS-X	H-X <sup>1</sup>	X	X	L	X	X	inactive	clear	Internal 128ms timer expired
Over-temperature Mode	Normal	RS-X	H-X <sup>1</sup>	X	X	L	X	X	clear	clear	Temperature monitor output de-asserted (covered by scan)
All States	Power Off	X	X	X	X	X	X	L-H <sup>2</sup>	X	X	

1. Effect of transition
2. Cause for transition

**Note:** L = Low state, H = High state, OT = Over temperature Reset, UVCC = Under-voltage VCC, UVSENSE = Under-voltage VSENSE, Rwake = Remote wake, X = don't care.

### 7.10.1 Normal Mode

This is the mode after the power-up. In this mode, voltage regulator, LIN transceiver, window Watchdog is all active. The resistive divider can be enabled through SPI. LIN transceiver is capable of sending the Tx data from microcontroller to the LIN bus at a maximum rate of 20Kbps.

### 7.10.2 Standby Mode

Standby Mode is a functional low power mode and is entered by pulling EN to ground. The LIN transceiver, resistive divider, window watchdog, and Tx timeout watchdog circuits are disabled. But, it is possible to selectively enable the voltage and current measurement paths in this mode using an externally generated measurement enable (MEN) signal on the MEN pin. The timeout Watchdog can be enabled in this mode to make sure that the Microcontroller is active.

### 7.10.3 Temporary Shutdown Mode

In this mode, the regulator is powered down and the VCC is pulled down. This provides an alternative way to reset those components powered by AS8515. The feature has to be enabled by the factory programming option and can be invoked through SPI. The LIN transceiver along with the LIN wake-up circuits are powered down. No remote wake functionality possible. LIN bus enters into recessive state. The system goes out of this mode to normal mode after the timeout of an internal timer.

### 7.10.4 Thermal Shutdown Mode

If the junction temperature T<sub>J</sub> is higher than T<sub>sd</sub>, the device will be switched into the thermal shutdown mode. The regulator and the transceiver are completely disabled. Only the over-temperature monitor is active. As soon as the temperature returns back to T<sub>RET</sub>, the system enters normal mode.



### 7.11 Initialization

When the power supply is switched on, when  $VSUP > VSUVR\_OFF$ ,  $RESET\_VSUP\_N$  becomes high. This starts the regulator LDO with 3.3V and  $Vuvr\_off$  option of 2.75V. When  $VCC > Vuvr\_off$  (2.75V), active-low  $PORN\_2\_OTP$  is generated. The rising edge of  $PORN\_2\_OTP$  loads contents of fuse onto the factory setting latch after load access time  $T_{Load}$ .  $LOAD\_OTP\_IN\_PREREG$  signal loads contents of factory setting latch onto a register. This register provides the actual settings of LDO,  $Vuvr\_off$  and Reset Timeout period  $T_{Res}$ . This is done as the factory setting block is powered by the VCC. If  $VCC > Vuvr\_off$  (phase 2), Reset timeout is restarted.  $RESET$  signal is de-asserted after Reset Timeout period  $T_{Res}$  (phase 2) and then device enters into normal mode. The circuit also needs to initialize correctly for very slow ramp rates on  $VSUP$  (of the order of 0.5V/min).

Figure 7. Initialization Sequence

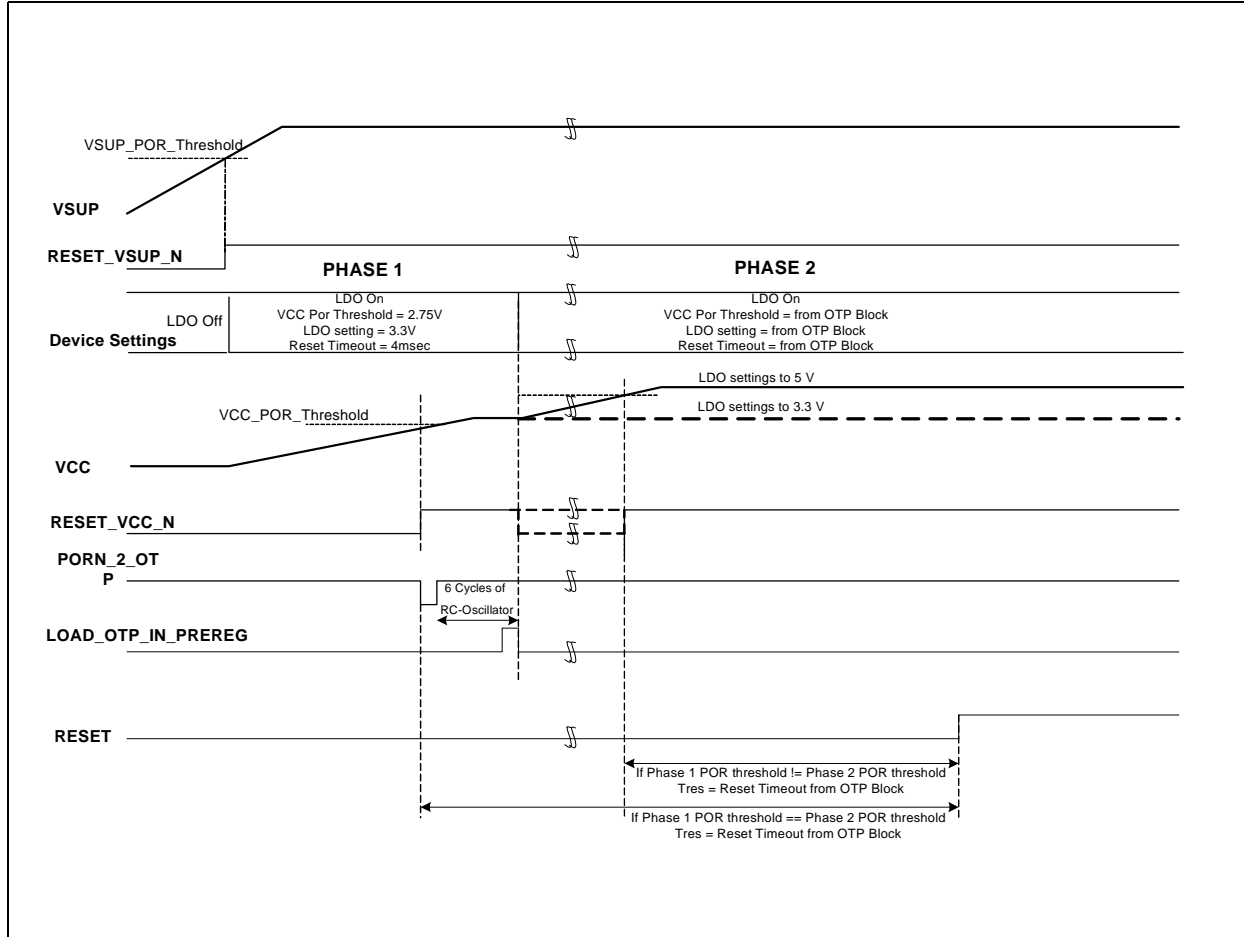


Table 16.  $VSUP > Vsuvr\_on$  and  $VCC < Vuvr\_on$

Block	Output Signal
TRANSCEIVER=Enabled (disabled only during initial VSUP ramp-up)	LIN=high-z, Rx=follows VCC...
LDO=Enabled (disabled only during initial ramp-up)	VCC=low...
RESET BLOCK=Enabled	RESET=high-z...
RESISTIVE DIVIDER=Enabled	VSENSE=high..., VSENSE_DIV=enabled



Table 17.  $V_{SUP} < V_{svr\_on}$ 

Block	Output Signal
TRANSCEIVER=Disabled	LIN=high-z, Rx=high-z...
LDO=Disabled	VCC=low
RESET BLOCK=Disabled	RESET=high-z
RESISTIVE DIVIDER=Disabled	VSENSE=high, VSENSE_DIV=low

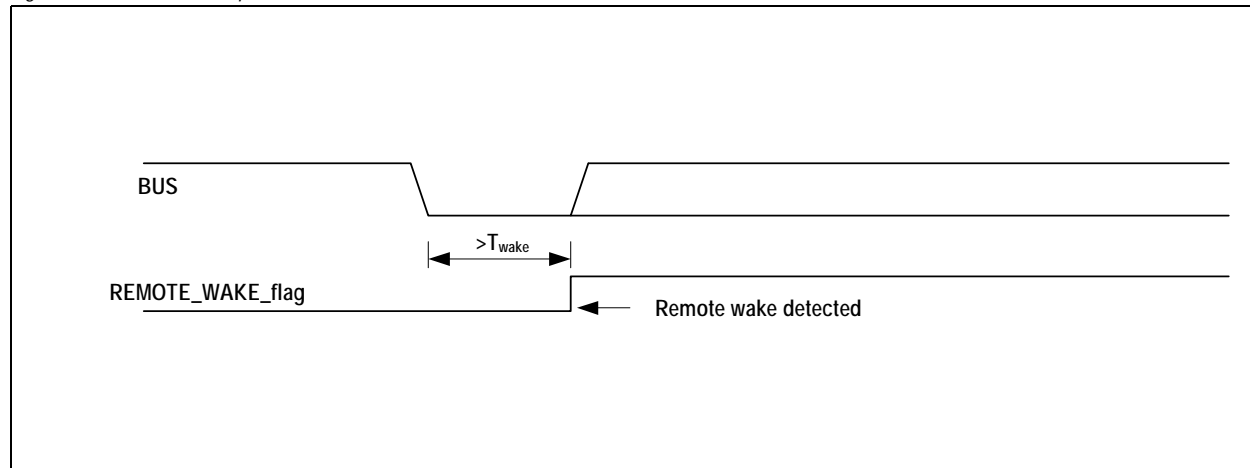
## 7.12 Wake-up

When the device enters standby mode, it can be brought back to the normal mode. A dominant state on the BUS for duration of  $t_{WAKE}$  (see Table 25) will result in the device wake-up which is termed as remote wake.

### 7.12.1 Remote Wake-up Event

In all low power modes of *Top die*, low power BUS receiver is ON. If BUS is in dominant state for longer than  $t_{WAKE}$  then, remote wake is sensed on the BUS and REMOTE\_WAKE\_flag is set. Indication of wake-up is given to  $\mu C$  by setting a bit in interrupt register and giving interrupt on INTN pin.

Figure 8. Remote Wake-up Event





## 7.13 LIN BUS Transceiver

The AS8515 has an integrated bi-directional bus interface device for data transfer between LIN bus and the LIN protocol controller. The transceiver consists of a driver with slew rate control, wave shaping and current limitation and a receiver with high voltage comparator followed by a de-bouncing unit.

### 7.13.1 Transmit Mode

During transmission the data at the pin Tx will be transferred to the BUS driver to generate a bus signal. To minimize the electromagnetic emission of the bus line, the BUS driver has an integrated slew rate control and wave shaping unit.

Transmitting will be interrupted in the following cases:

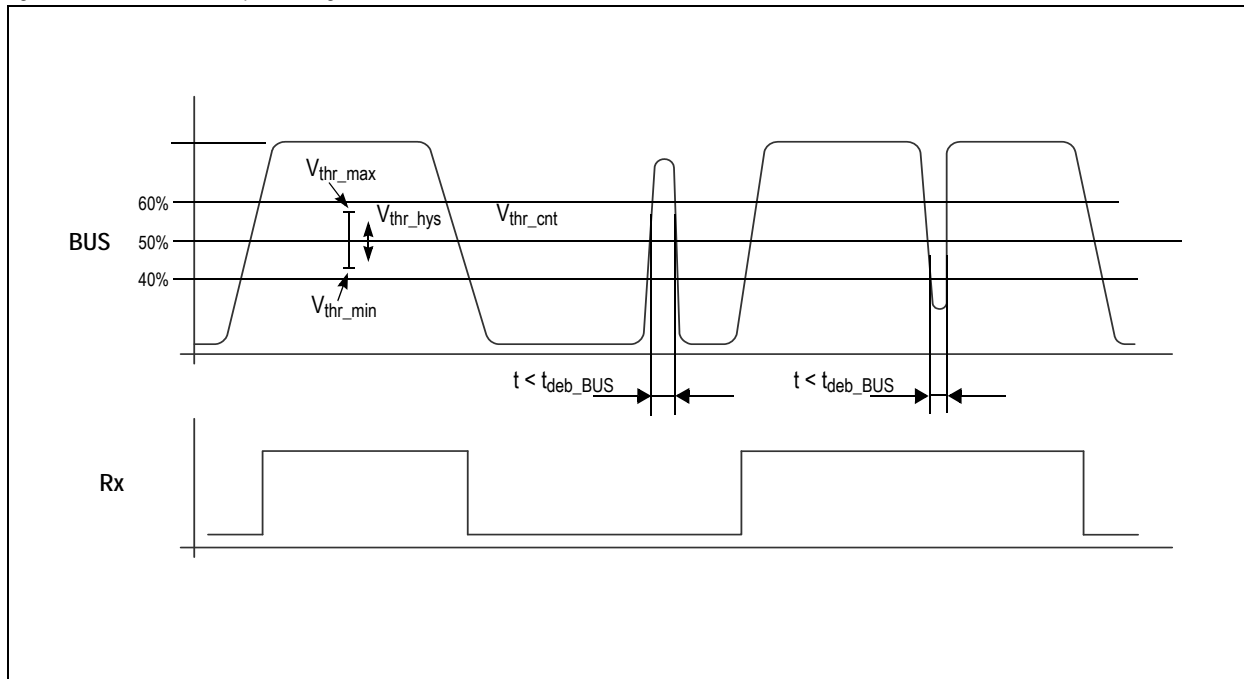
- Thermal Shutdown active
- Master Reset ( $V_{SUP} < V_{svvr\_on}$ )

The recessive BUS level is generated from the integrated 30k pull up resistor in serial with an active diode. This diode prevents the reverse current of VBUS during differential voltage between VSUP and BUS ( $V_{BUS} > V_{SUP}$ ). No additional termination resistor is necessary to use the AS8515 in LIN slave nodes. If this IC is used for LIN master nodes it is necessary that the BUS pin is terminated via an external 1kΩ resistor in series with a diode to VSENSE.

### 7.13.2 Receive Mode

The data signals from the BUS pin will be transferred continuously to the pin Rx. Short spikes on the bus signal are suppressed by the implemented debouncing circuit. Including all tolerances the LIN specific receive threshold values of  $0.4 \cdot V_{SUP}$  and  $0.6 \cdot V_{SUP}$  will be securely observed.

Figure 9. Receive Mode Impulse Diagram



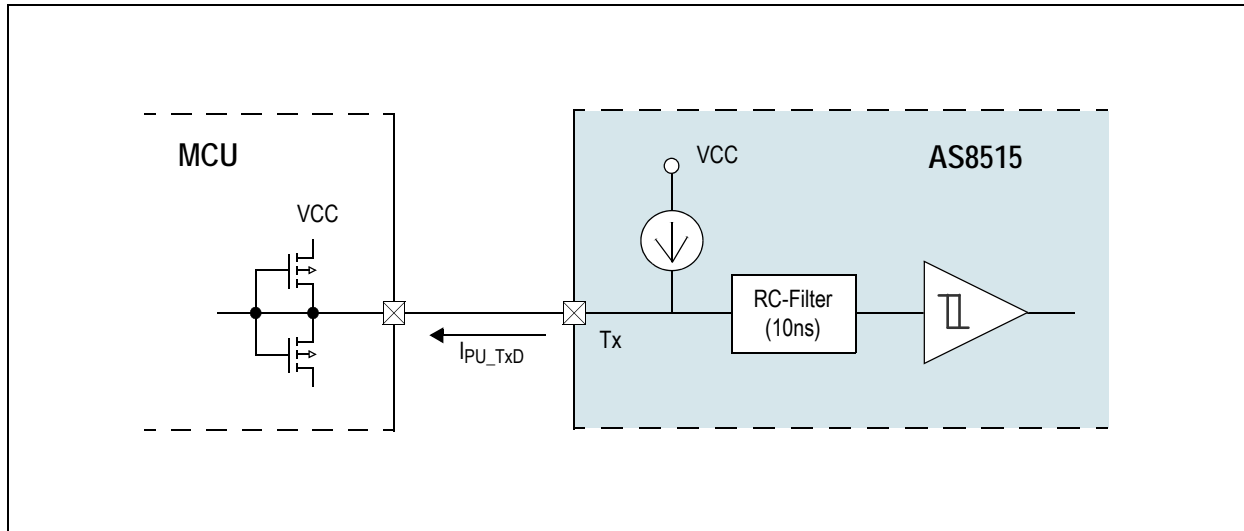


## 7.14 Rx and Tx Interface

### 7.14.1 Input Tx

The 3.3V input Tx controls directly the BUS level. LIN Transmitter acts like a slew-controlled level shifter. A dominant state (low) on Tx leads to the LIN bus being pulled low (dominant state) too. The Tx pin has an internal active pull up connected to VCC. This guarantees that an open Tx pin generates a recessive BUS level.

Figure 10. Tx Interface



### 7.14.2 Output Rx

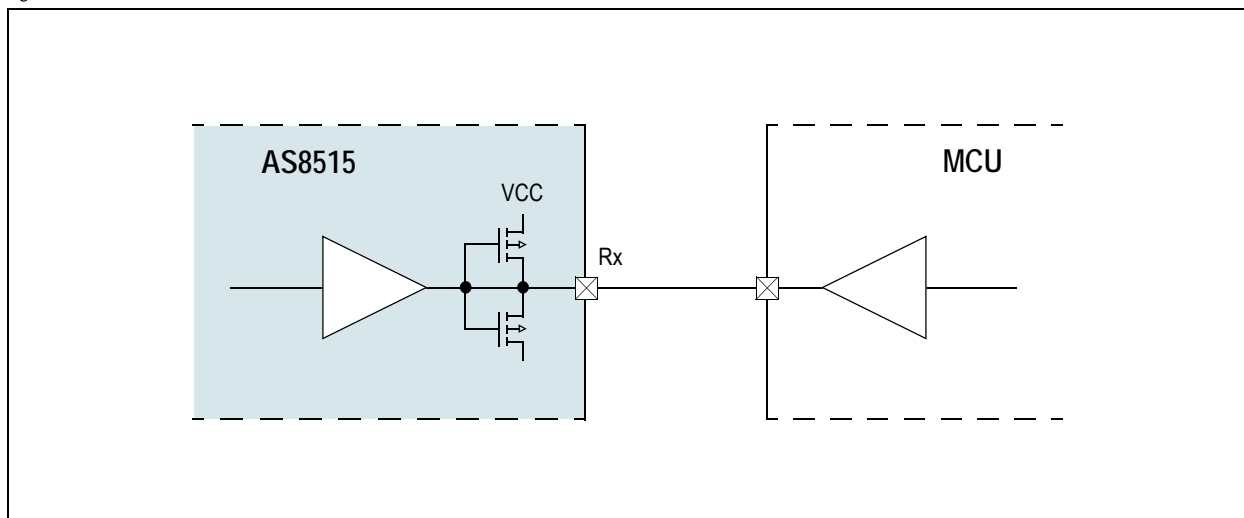
The received BUS signal will be output to the Rx pin:

$BUS < V_{thr\_cnt} - 0.5 * V_{thr\_hys} \rightarrow Rx = low$

$BUS > V_{thr\_cnt} + 0.5 * V_{thr\_hys} \rightarrow Rx = high$

This output is a push-pull driver between VCC and GND with an output current of 1mA

Figure 11. Rx Interface

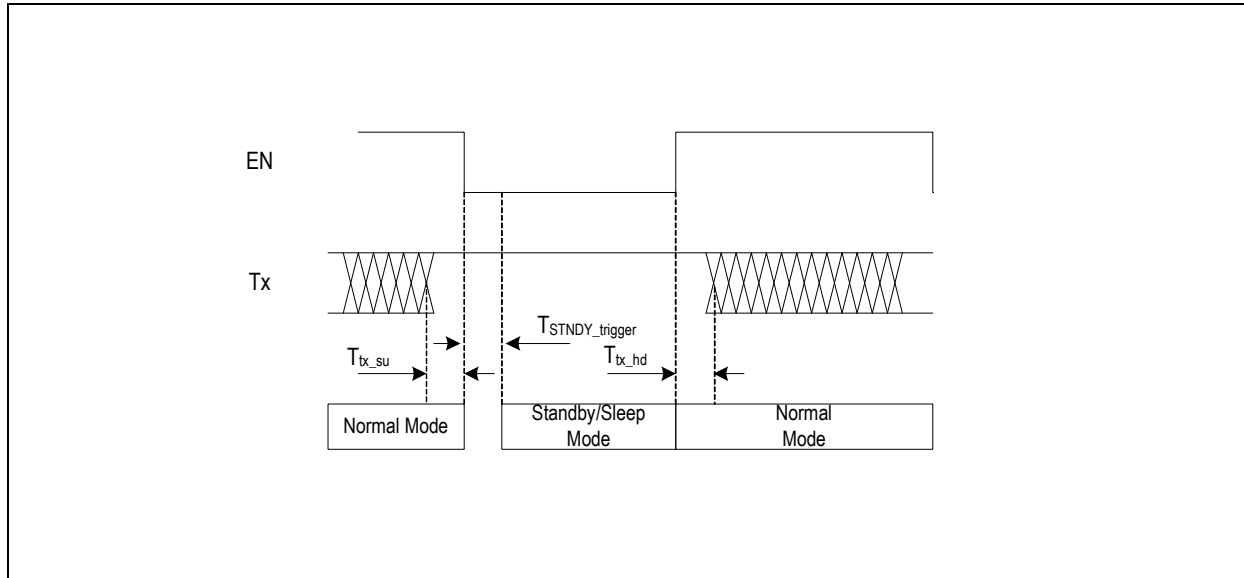




## 7.15 MODE Input EN

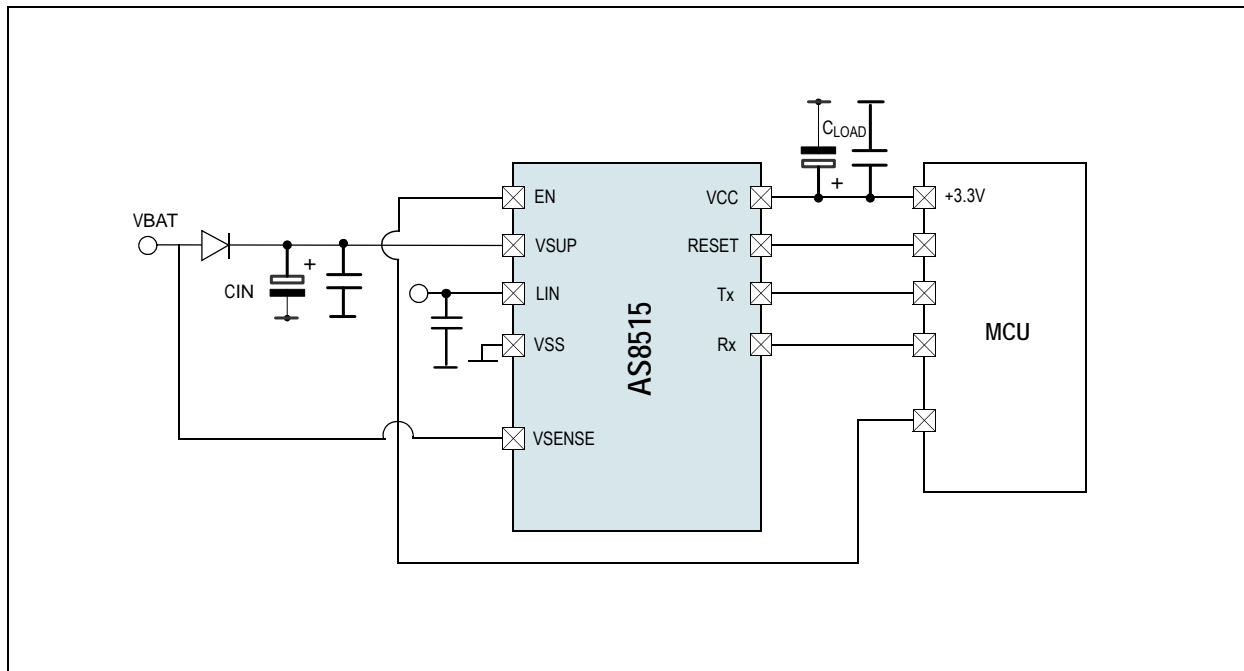
The AS8515 *Top die* is switched from normal mode to the standby mode with a falling edge on EN and keeping Tx high for  $T_{STNDY\_trigger}$  time. Device is switched from standby mode to normal mode with a rising edge at the EN pin. The mode change for *Top die* with a falling edge on EN can be done independently from the state of the transceiver bus. This ensures the direct control of device to enter into standby mode by microcontroller using EN pin.

Figure 12. EN Pin Functionality



The EN input has an internal active pull down to secure that if this pin is not connected, a low level will be generated.

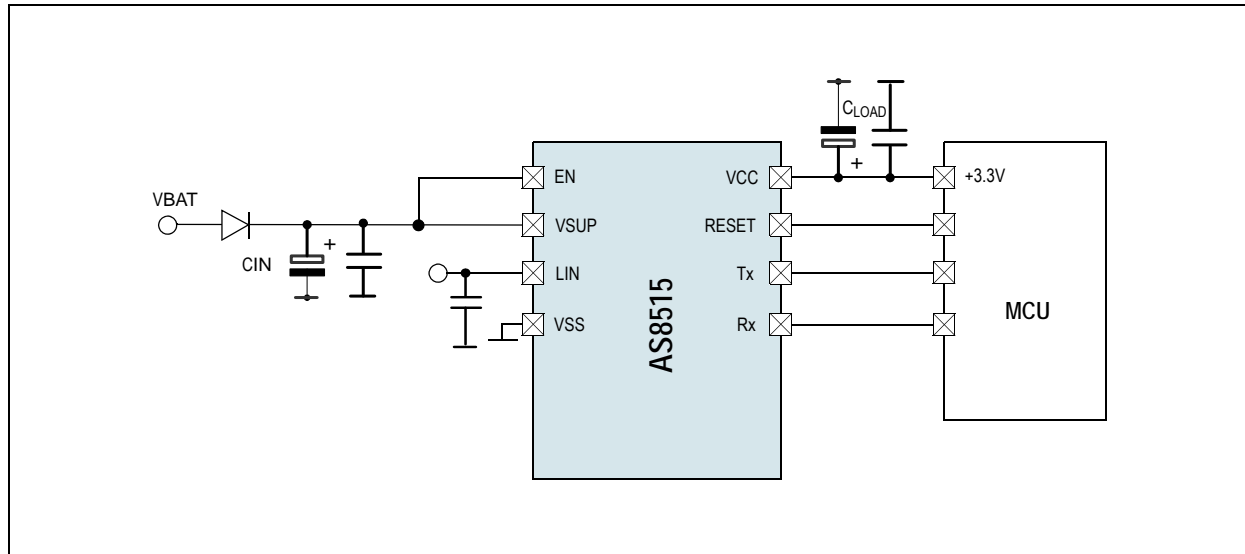
Figure 13. Enable Interface



If the application doesn't need the low-power modes of the device, a direct connection of EN to VCC is possible. In this case the *Top die* operates in permanent normal mode. Also possible is the external (outside of the module) control of the EN line via VSUP signal as shown below.



Figure 14. EN Connection for Permanent Normal Mode



## 7.16 Top Die Block Specifications

This section provides specification of design related key parameters.

### 7.16.1 Voltage Attenuator

Table 18. Voltage Attenuator

Symbol	Parameter	Condition	Min	Typ	Max	Unit
RDIV	Division ratio			21		V/V
VSENSE	Input voltage range/ Battery voltage range		4.5	12	18	V
$\epsilon_{p,RDIV}$	Ratio error	At room temperature, VSENSE=12V			$\pm 1$	%
$\epsilon_{dt1,RDIV}$	Ratio drift (with reference to Temperature)	Temperature: -25 to +65° @VSENSE=12V Maximum values will be added after device evaluation (to be guaranteed by evaluation)		$\pm 0.05$		%
$\epsilon_{dt2,RDIV}$		Temperature: -40 to +125° @VSENSE=12V Maximum values will be added after device evaluation (to be guaranteed by evaluation)		$\pm 0.2$		
$\epsilon_{dv1,RDIV}$	Ratio drift (with reference to VSENSE)	VSENSE: 11V to 13V @Temperature=27° Maximum values will be added after device evaluation (to be guaranteed by evaluation)		$\pm 0.05$		%
$\epsilon_{dv2,RDIV}$		VSENSE: 6V to 18V @Temperature=27° Maximum values will be added after device evaluation (to be guaranteed by evaluation)		$\pm 0.2$		



### 7.16.2 Voltage Regulator (LDO)

Table 19. Voltage Regulator

Symbol	Parameter	Condition	Min	Typ	Max	Unit
V <sub>SUP</sub>	Input Supply Voltage		4.3	12	18	V
VCC	Output Voltage Range		3.15	3.3	3.45	V
I <sub>LOAD</sub>	LDO Load Current				45	mA
ICC_SH	Output Short Circuit Current	Normal mode			250	mA
dVCC1	Line Regulation	$\Delta VCC / \Delta VSUP$ for VSUP range			8	mV/V
LOREG	Load Regulation	$\Delta VCC / \Delta ICC_n$ (0.5mA < I <sub>LOAD</sub> < 50mA)			1	mV/mA
CL1	Output Capacitor 1 LDO	Electrolytic	2.2		10	$\mu$ F
ESR1			1		10	$\Omega$
CL2	Output Capacitor 2 LDO	Ceramic	100		220	nF
ESR2			0.02		1	W
CSUP1E	Input capacitor (Electrolytic)	For EMC suppression	22		100	$\mu$ F
ESR1_CSUP			1		10	$\Omega$
CSUP2C	Input capacitor (Ceramic)		100		220	nF
ESR2_CSUP			0.02		1	$\Omega$

### 7.16.3 VCC Power-on-Reset

Table 20. VCC

Symbol	Parameter	Condition	Min	Typ	Max	Unit
V <sub>uvr_off</sub>	VCC under-voltage threshold OFF	Rising edge of VCC	2.55		2.95	V
V <sub>uvr_on</sub>	VCC under voltage threshold ON	Falling edge of VCC	2.3		2.7	V
V <sub>hyst_vcc</sub>	Hysteresis of under-voltage threshold on/off VCC		0.1	0.25	0.4	V

### 7.16.4 VSUP Power-on-Reset

Table 21. VSUP

Symbol	Parameter	Condition	Min	Typ	Max	Unit
V <sub>svr_off</sub>	VSUP under-voltage threshold OFF	Rising edge of VSUP	4.8	5.1	5.4	V
V <sub>svr_on</sub>	VSUP under-voltage threshold ON	Falling edge of VSUP	3.5	3.8	4.1	V
V <sub>hyst_VSUP</sub>	Hysteresis of VSUP under-voltage		1.1		1.5	V



### 7.16.5 Window Watchdog Timer

Table 22. WWD

Symbol	Parameter	Condition	Min	Typ	Max	Unit
WD_TCL	Factory setting 1	WWD non-service time		0-100		ms
WD_TSV		WWD Service time	RESET will not be generated	100-200		ms
WD_TCL1	Factory setting 2	WWD non-service time		0-80		ms
WD_TSV1		WWD Service time	RESET will not be generated	80-160		ms
WD_TCL2	Factory setting 3	WWD non-service time		0-60		ms
WD_TSV2		WWD Service time	RESET will not be generated	60-120		ms
WD_TCL3	Factory setting 4	WWD non-service time		0-200		ms
WD_TSV3		WWD Service time	RESET will not be generated	200-400		ms
WD_TCL4	Factory setting 5	WWD non-service time		0-160		ms
WD_TSV4		WWD Service time	RESET will not be generated	160-320		ms
WD_TCL5	Factory setting 6	WWD non-service time		0-120		ms
WD_TSV5		WWD Service time	RESET will not be generated	120-240		ms

### 7.16.6 LIN Transceiver

#### DC Electrical Characteristics.

Table 23. Driver

Symbol	Parameter	Condition	Min	Typ	Max	Unit
$I_{bus\_lim}$		Current limitation in dominant state $I_{LIN} = VSUP\_max$	40	120	200	mA
LIN_V <sub>OL</sub>		Output Voltage BUS (dominant state), $I_{LIN} = 40mA$ (short-circuit condition tested at $V_{OL} = 2.5V$ )			2	V
Pull-up resistor		Normal mode (recessive BUS level on Tx pin)	20	40	60	K $\Omega$
$I_{bus\_leak\_rec}$		Driver OFF; $7.3V < VSUP < 18$ ; $8V < V_{BAT} < 18$ ; $VSUP < V_{BUS} < 1.08 * VSUP$ (to be tested at $V_{BUS} = 18V$ )			20	$\mu A$

Table 24. Receiver

Symbol	Parameter	Condition	Min	Typ	Max	Unit
$I_{bus\_leak\_dom}$		Input Leakage current at receiver Driver OFF; $V_{BUS} = 0V$ ; $VSUP = 12V$ ; $VCC = 3.3V$	-1			mA
$I_{bus\_no\_GND}$		$VSS = VSUP$ ; $VSUP = 12V$ ; $0V < V_{BUS} < 18V$ , $VCC = 3.3V$ (to be tested at $V_{BUS} = 18V$ )	-1		1	mA
$I_{bus\_no\_bat}$		$VSUP = VSS$ ; $0V < V_{BUS} < 18V$ , $VCC = VSS$ (to be tested at $V_{BUS} = 18V$ )			100	$\mu A$
$V_{bus\_dom}$					0.4	VSUP
$V_{bus\_rec}$			0.6			VSUP
$V_{bus\_cnt}$		$V_{bus\_cnt} = (V_{th\_dom} + V_{th\_rec})/2$ <sup>1</sup>	0.475		0.525	VSUP
$V_{hys}$		$V_{hys} = (V_{th\_dom} - V_{th\_rec})$ <sup>1</sup>	0.05		0.175	VSUP

1.  $V_{th\_dom}$  : Receiver threshold of the recessive to dominant LIN bus edge $V_{th\_rec}$  : Receiver threshold of the dominant to recessive LIN bus edge



**AC Electrical Characteristics.**

LIN Driver, Bus load conditions (CBUS ; RBUS): 1nF; 1kΩ / 6, 8nF; 660Ω / 10nF; 500Ω

Table 25. LIN Driver

Symbol	Parameter	Condition	Min	Typ	Max	Unit
D1	(worst case 20Kbps transmission)	$V_{th\_rec(max)} = 0.744 \times VSUP$ ; $V_{th\_dom(max)} = 0.581 \times VSUP$ ; $VSUP = 6.0V...18V$ ; $t_{bit} = 50\mu s$ ; $D1 = t_{bus\_rec(min)} / (2 \times t_{bit})$	0.396			
D2	(worst case 20Kbps transmission)	$V_{th\_rec(min)} = 0.422 \times VSUP$ ; $V_{th\_dom(min)} = 0.284 \times VSUP$ ; $VSUP = 6V...18V$ ; $t_{bit} = 50\mu s$ ; $D2 = t_{bus\_rec(max)} / (2 \times t_{bit})$			0.581	
D3	(worst case 10.4Kbps transmission)	$V_{th\_rec(max)} = 0.778 \times VSUP$ ; $V_{th\_dom(max)} = 0.616 \times VSUP$ ; $VSUP = 6.0V...18V$ ; $t_{bit} = 96\mu s$ ; $D3 = t_{bus\_rec(min)} / (2 \times t_{bit})$	0.417			
D4	(worst case 10.4Kbps transmission)	$V_{th\_rec(min)} = 0.389 \times VSUP$ ; $V_{th\_dom(min)} = 0.251 \times VSUP$ ; $VSUP = 6V...18V$ ; $t_{bit} = 96\mu s$ ; $D4 = t_{bus\_rec(max)} / (2 \times t_{bit})$			0.59	
$t_{dLR}$		VCC = 3.3V; Propagation delay bus dominant to Rx LOW			6	$\mu s$
$t_{dHR}$		VCC = 3.3V; Propagation delay bus dominant to Rx HIGH			6	$\mu s$
$t_{RS}$		Receiver delay symmetry	-2		2	$\mu s$
$t_{WAKE}$		Dominant time for wake-up via LIN bus	30		150	$\mu s$
$t_{sln}$		Transition from standby mode to normal mode (clock frequency is 128KHz $\pm 25\%$ )		4		Clock cycles
$t_{nsI}$		Transition from normal mode to standby mode (clock frequency is 128KHz $\pm 25\%$ )		6		Clock cycles
$t_{rec\_deb}$		Receiver de-bounce time	0.6		3	$\mu s$
$C_{int}$		Internal capacitance of the LIN node configured as a slave with a 180pF cap on the LIN bus		220	250	pF

**7.17 Timing Diagrams**

Figure 15. Timing Diagram for Propagation Delays

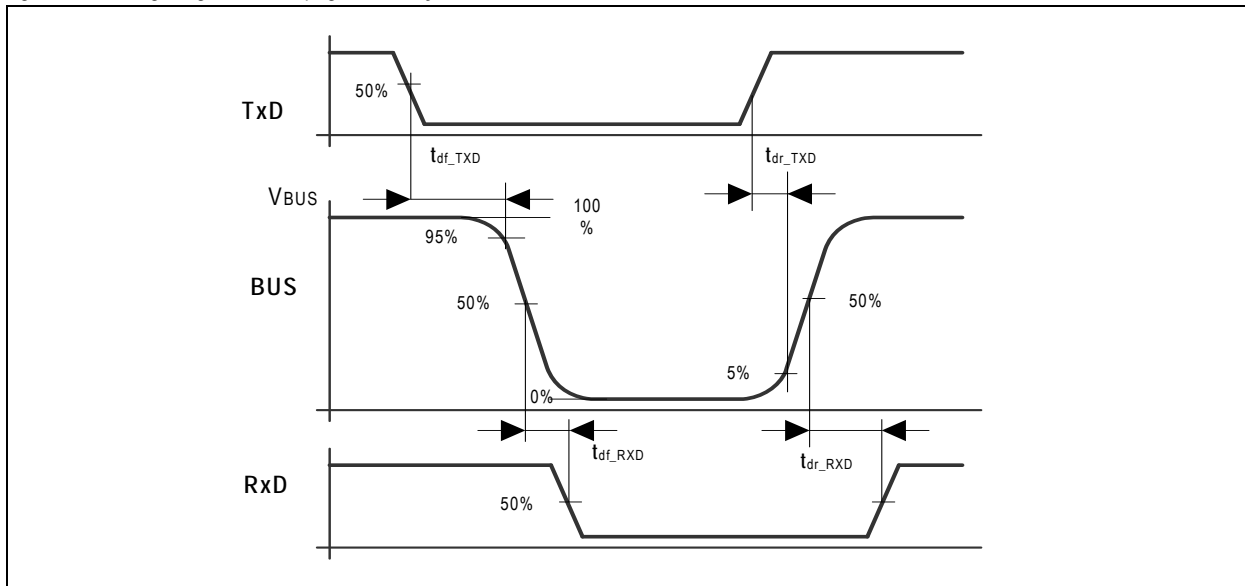
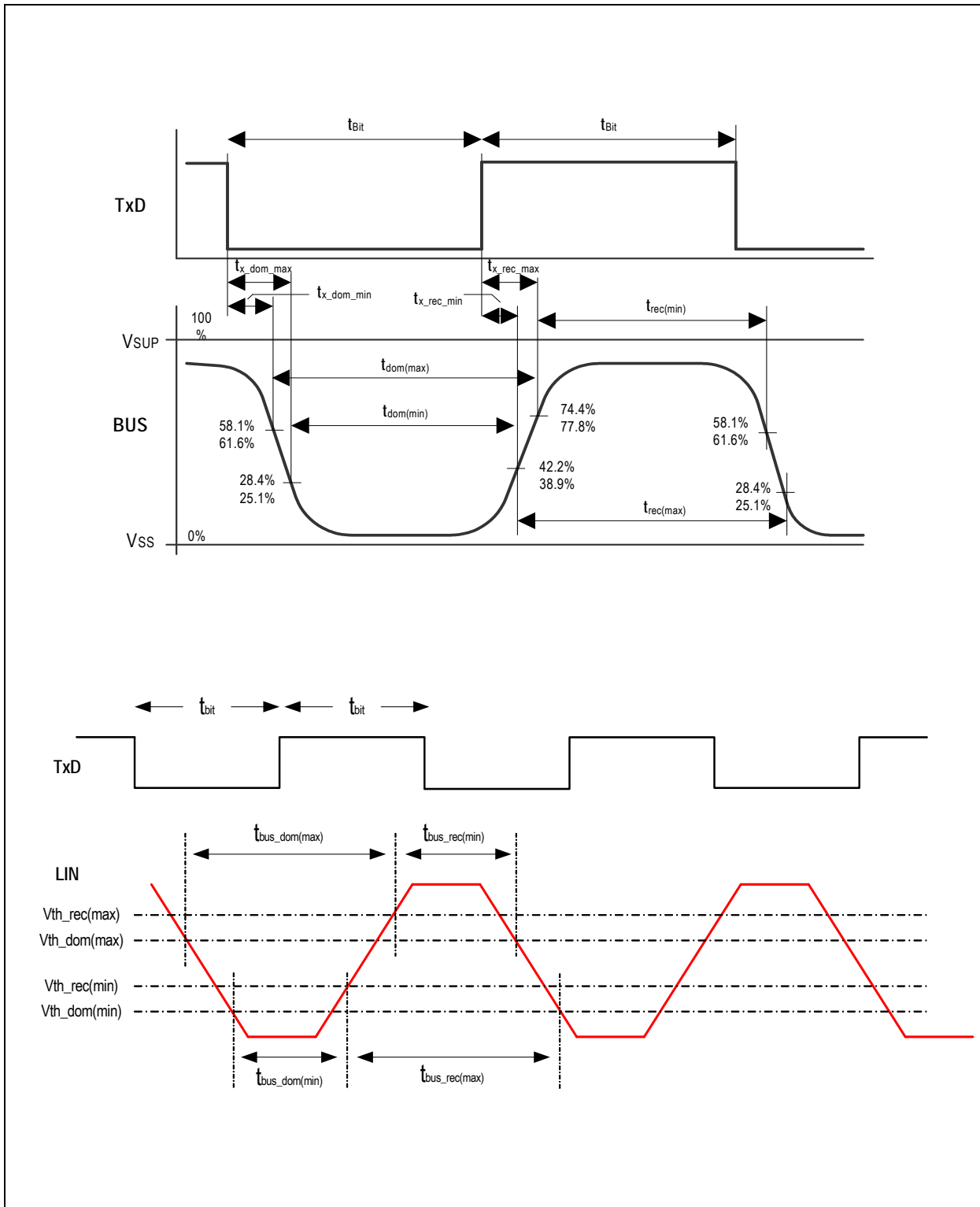






Figure 16. Timing Diagram for Duty Cycle According to LIN 2.1 and J2602





### 7.17.1 Tx Timeout Watchdog

Table 26. Tx Timeout Watchdog

Symbol	Parameter	Conditions	Min	Typ	Max	Units
$t_{lin\_wdog}$	Timeout period for the dominant state		0.5	1	2	s

### 7.17.2 Temperature Limiter

Table 27. Temperature Limiter

Symbol	Parameter	Conditions	Min	Typ	Max	Units
$T_{sd}$	Shut down temperature	Junction temperature	155	170	185	°C
$T_{otset}$	Over-temperature warning		142	157	172	°C
$T_{ret}$	Return temperature		125	140	155	°C

## 7.18 Top Die Registers

The serial interface can be used for communication between AS8515 and an external microcontroller. The device is only a slave and the microcontroller has to initiate the communication. The device can be configured by writing into the control registers and the diagnostic information can be read out from the diagnostic registers. Pin CST is used as chip select for SPI communication.

A total of 32 registers, each of 8-bits which include configuration, diagnostic, and backup are available. The registers can be accessed using the 4-wire serial interface. Table 28 provides a description of all AS8515 *Top die* registers.

Table 28. AS8515 Top Die Registers

Address	Register Name	Default Value	R/W	Description
<b>Configuration and Control Registers</b>				
0x00	Reserved			
0x01	Reserved			
0x02	Reserved			
0x03	Device Configuration Register	On POR_VCC 0000_1100	R/W	D0 Reserved D1 Voltage Attenuator Enable Bit. 0 Disabled, 1 Enabled D2 Enable/Disable Over Temperature Monitor 0 Disabled, 1 Enabled D3 Enable/Disable LIN Transceiver 0 Disabled, 1 Enabled D4 Reserved D5-D7 Reserved
0x04	Device Control Register	On POR_VSUP 0000_0001	R/W	D0 High-slew / Low-slew control 1 High-slew, 0 Low-slew D1-D7 Reserved
0x05	Temporary Shutdown Register	On POR_VCC 0000_0000	R/W	D0 Temporary shutdown control bit 1 Enter temporary shutdown D1-D7 Reserved
0x06	Window Watch Dog Trigger Register	On POR_VCC 0000_0000	W	D0 Window Watchdog trigger bit D1 Timeout Watchdog trigger bit Upon a trigger, the bit will be cleared within 2 internal clock cycles. D2-D7 Reserved
0x07	Reserved			
0x0A	Reserved			
0x0B	Reserved			



Table 28. AS8515 Top Die Registers

Address	Register Name	Default Value	R/W	Description
0x0C	Reserved			
0x0D	Reserved			
0x0E	Watchdog Timer Control Register	On POR_VCC 0000_0000	R/W	D0 Timer resolution 0 1 second, 1 32 seconds D1-D7 Timeout period. If D0=1, then timeout period = D[7:1]*64*0.512 seconds, else timeout period = D[7:1]*0.512 seconds
0x0F	Reserved			
<b>Diagnostic Registers</b>				
0x08	Diagnostic Register-1	On POR_VSUP 0000_0011	R	D7-D0 = DR[7:0], 8-LSB bits of the 24-bit Diagnostic Register. D0 POR-VSUP Set when VSUP < Vsuvr_on, cleared after $\mu$ C read D1 Under voltage VCC (UVVCC) Set when VCC < Vuvr_on, cleared after $\mu$ C read D2 Over-temperature Reset (OTEMP170) Set when temp > T <sub>sd</sub> , cleared after $\mu$ C read D3 Over-temperature warning (OTEMP160) Set when temp > T <sub>otset</sub> , cleared after $\mu$ C read D4 Overvoltage VSENSE (OVVSENSE) Set when VSUP > Vovthh, cleared after $\mu$ C read D5 Reserved D6 Remote wakeup (RWAKE) Set on remote wakeup event on LIN Bus, cleared after $\mu$ C read D7 Set on failure of window Watchdog trigger, cleared after $\mu$ C read
0x09	Diagnostic Register-2	On POR_VSUP 0000_0000	R	D7-D0 = DR[15:8], Next 8-LSB bits of the 24-bit Diagnostic Register. D0 Tx timeout of 1sec (TXTIMEOUT) Set on Tx low > 1sec, cleared after $\mu$ C read D1 TEMPSHUT This bit is set on entering temporary shutdown state and cleared after $\mu$ C read. D2 Set on failure of timeout Watchdog trigger, cleared after $\mu$ C read D3 Load Dump Flag D7-D4 Reserved



## 8 AS8515 Bottom Die Overview

The AS8515 *Bottom die* consists of two independent high resolution 16-bit SD analog to digital conversion channels. The measurement path of these two channels integrates a programmable gain amplifier, chopper and de-chopper, sigma-delta modulator, decimator and a digital filter for simultaneous measurement of Current and Voltage/Temperature.

The two measurement channels, namely the Current and Voltage/Temperature measurement channels have identical data path.

The input signal is amplified in the Programmable Gain Amplifier (PGA) with any of the selected gains of 1, 5, 25, 40 and 100 facilitating measurement of a wide range of Current, voltage and temperature levels. Gain Settings for different input ranges and any associated restrictions are explained in the [Table 30](#).

Offset in the measurement path is minimized with the use of a chopper and a de-chopper at appropriate stages in the data path. By default the chopper/de-chopper is ON in the measurement path. It may be disabled by programming the appropriate register.

The amplified input signal is converted into a single-bit pulse-density modulated stream by the  $\Sigma$ - $\Delta$  Modulator. A decimator acting as a low-pass filter filters out the quantization noise and generates 16-bit data corresponding to the input signal. The decimation ratios of 64, 128 may be selected in the first filter stage. For reducing data rate further, the second stage decimation can be used.

An optional FIR Filter is provided to offer matched low pass filter response typically required in lead acid battery sensor systems.

### 8.1 Current Measurement Channel

The voltage across a Shunt Resistor, connected in series with the Battery negative terminal, forms the input signal to the Current Measurement channel. RSHH and RSHL are the Current measurement input pins. Offset in the input signal is nullified with the use of a chopper and a de-chopper at appropriate stages in the data path. The programmable gain amplifier in the data path with programmable settings of 1, 5, 25, 40 and 100 enables measurement of current ranges from  $\pm 1\text{A}$  to  $\pm 1500\text{A}$  on a  $100\mu\Omega$  shunt. The sampled input signal is converted into a single-bit pulse-density modulated stream by the  $\Sigma$ - $\Delta$  Modulator. A decimator acting as a low-pass filter filters out the quantization noise and generates 16-bit data equivalent to the input current signal. The programmable input sampling rate and the decimation ratio determine the output data rates. The data path can be programmed to provide sub 1Hz to 4kHz rates in the various modes available. An optional FIR filter specifically designed for 1KHz sample rate is provided to offer matched low pass filter response typically required in lead acid battery sensor systems.

After enabling the current measurement channel, the delay for the availability of the first sample is two conversion cycles.

### 8.2 Voltage/Temperature Measurement Channel

The other two parameters of the Battery for measurement are Voltage and its Temperature. The second channel accepts signals from four independent sources through a Multiplexer as listed below:

- An attenuator battery voltage obtained through internal resistor divider from [Top die](#), (or)
- A signal from the external temperature sensor, (or)
- A signal from external reference, (or)
- A signal from the internal temperature sensor.

Apart from this difference in the multiplexing of four input signals, the rest of the data path is identical to the Current measurement channel. RSHH and RSHL are the Current measurement input pins.

The Battery Voltage which can go up to 18V is attenuated through a Resistor Divider externally and is applied to the Voltage Channel. For Automotive Battery measurement, the PGA is to be bypassed to connect battery voltage attenuated by a factor of 21 directly to the ADC input. The latency for the first result from the voltage measurement channel is two conversion cycles.

A second option on this measurement channel is to measure Temperature. Internally generated constant current is pumped through the Temperature Sensor with positive temperature coefficient, and, a high-precision resistor. The voltages across the sensor and the resistor form the inputs to the measurement channel one at a time. The difference between the two voltages which is independent of the magnitude of the current is used to determine the temperature accurately. The voltage across the sensor is applied between the ETS and VSS pins and, the voltage across the high-precision resistor is applied between ETR and VSS. External temperature measurement involves the acquisition of two signals one after the other using the same constant current source. The latency for the first result from the temperature measurement channel is two conversion cycles.

A third option on the measurement channel is to measure the internal temperature. Hence, one of the three options for measurement of Battery Voltage, External Temperature and, internal temperature may be carried out by selection of appropriate inputs through the internal multiplexer selection.

ETR and ETS inputs can optionally be used to measure other signal sources like external resistive attenuators for battery voltages different to 12V nominal.

ETR and ETS are single ended inputs and referenced to AVSS. Voltage drop on internal bond wire causes  $\sim 100$  digits of offset with systematic temperature dependency of another 50 LSB's over temperature.



### 8.3 Digital Implementation of Measurement Path

Figure 17. Block Diagram of Digital Implementation

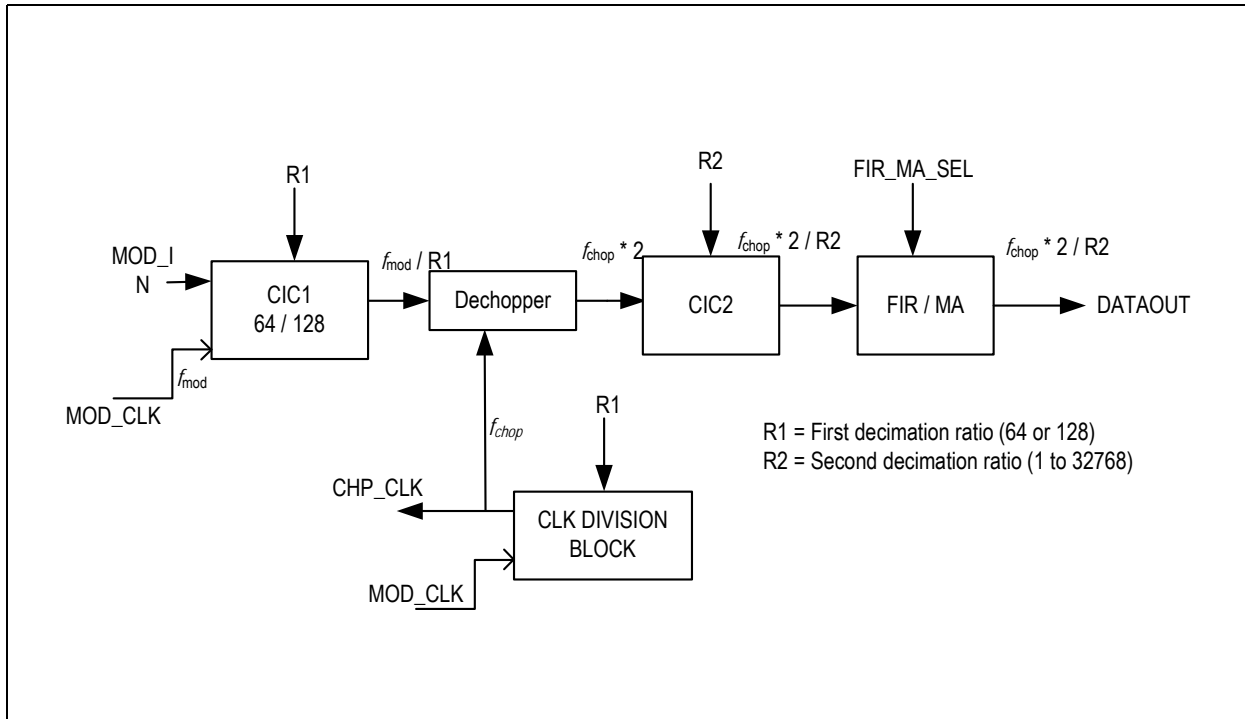


Figure 17 shows the digital implementation of the decimator and filter to process the 1-bit output of the Modulator. This block receives a 1-bit pulse density modulated output (MOD\_IN) from the second order sigma delta modulator along with the oversampling frequency clock (MOD\_CLK). The MOD\_CLK directly goes to a clock division block, which generates chopper clock (CHOP\_CLK). The CHOP\_CLK can be one of 2kHz or 4kHz selected by Register CLK\_REG in Table 49. The MOD\_CLK can be either 1MHz or 2MHz. The Decimation is a two phase process. In the first phase, the R1 down sampling rate can be obtained by selecting either 64 or 128 in Registers DECREG\_R1\_I, DECREG\_R1\_V in Table 49. The 16-bit CIC1 output is dechopped with respect to CHOP\_CLK. The output of Dechopper is passed through the CIC2 filter with a decimation ratio of 1 to 32768 in steps of power of 2. This output is then processed through a FIR or Moving Average (MA) filter. FIR Filter is provided to offer matched low pass filter response typically required in lead acid battery sensor systems. MA filter is used to provide averaged output and the number of samples for averaging can be any integer value from 1 to 15.

### 8.4 Reference-Voltage

Band gap-reference voltage is used for the ADC as a reference and for the generation of the current for external temperature measurement.

### 8.5 Oscillators

A High-speed oscillator (HS) generates the oversampling clock. For internal state machine and Interrupt generation, a low-speed Oscillator (LS) is also available.

### 8.6 Power-On Reset

The AS8515 has PORs, APOR and DPOR on analog and digital power supplies respectively. On PORs of both supplies, initialization sequence happens and the system status is shown in state diagram (see Figure 18).

As shown in the state diagram, the system is in RESET state until DPOR output goes to logic HIGH and subsequently until APOR output goes to logic HIGH. Once analog power supply is available, the system goes into OTP\_INT state and loads the default values into the control and data registers and goes into STOP state. If analog POR, APOR goes low at any time, the system goes into RESET state. In the STOP state, the AS8515 can be programmed and by giving start command it starts working following the state machine.



### 8.7 Modes of Operation

The device operates in four different modes, namely,

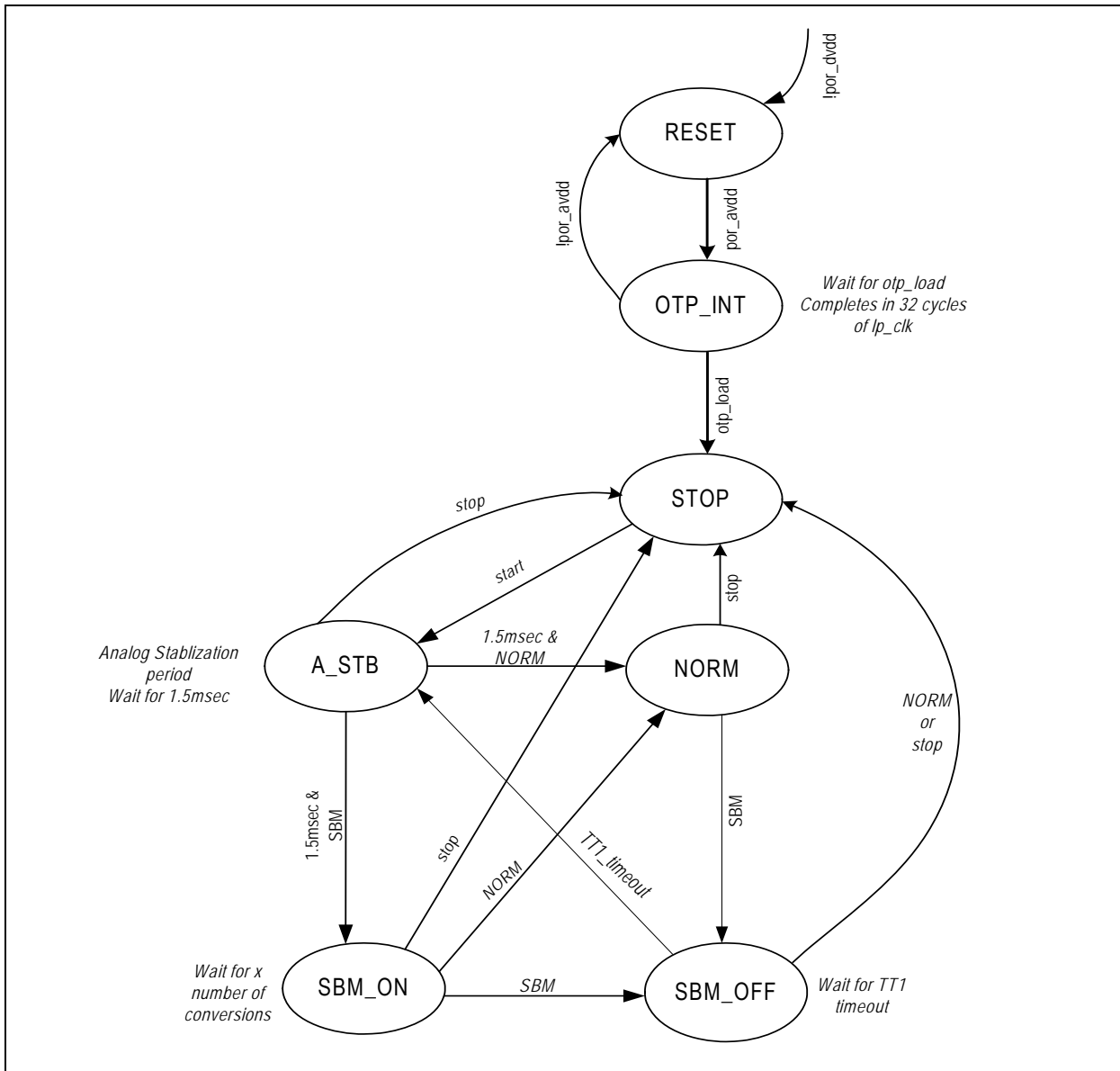
- Normal Mode 1 (NOM1)
- Normal Mode 2 (NOM2)
- Standby Mode 1 (SBM1)
- Standby Mode 2 (SBM2)

The Normal Modes are full-power modes with the exception that in Normal Mode 2, sampling is normally at a programmed lower frequency and is increased to a higher rate only when a measured input signal level crosses the programmed threshold in the current measurement channel.

The Standby Modes are lower power modes. Sampling is normally at a very low frequency interval. In Standby Mode 2, data sampling can be carried out only when the internal comparator detects the input current to be greater than the programmed threshold and it generates interrupt on the INT pin.

The device enters into the “Stop” state on Power On. This is a state where in the data path is inactive and can be entered into from any of the four Modes. The State transition Diagram involving the state of Stop and the four Modes is illustrated in the Figure 18.

Figure 18. Finite State Machine Model of AS8515 Bottom Die





### Figure Notes:

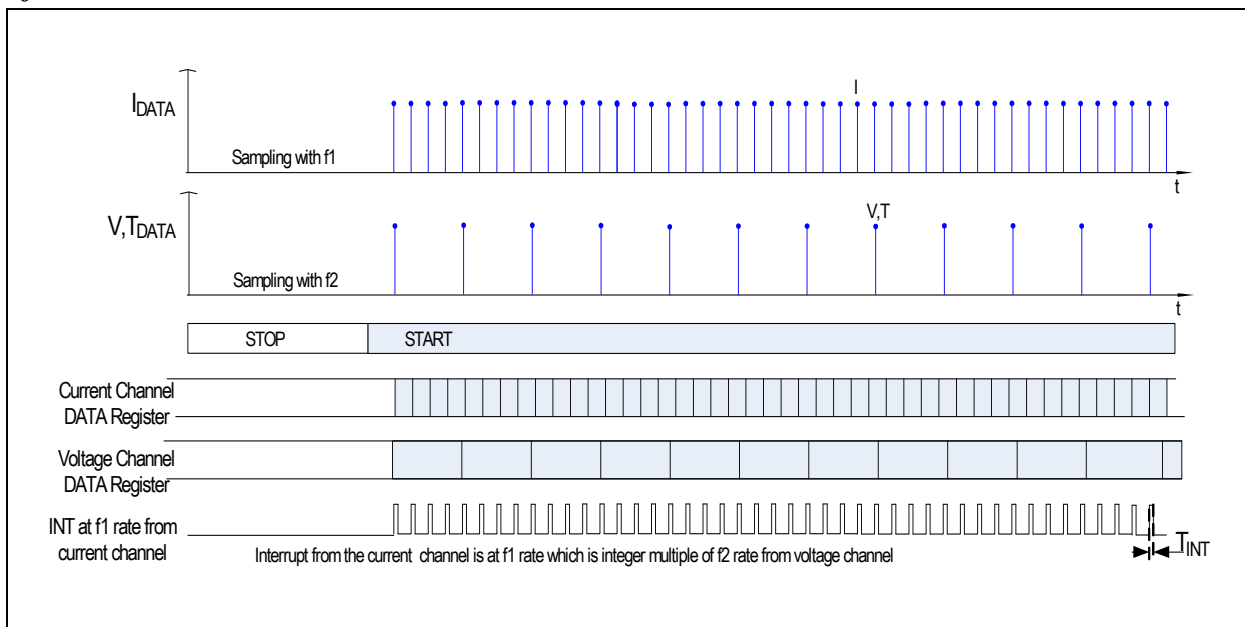
1. Device soft reset can be written in any of the following states STOP, A\_STB, SBM\_ON, SBM\_OFF by writing "0" into D[7] of the RESET\_REG (Address 0X09).
2. Measurement path of soft reset should be written in any the states, STOP, SBM\_OFF by writing "0" into D[6] of the RESET\_REG (Address 0X09).
3. When soft reset is used for the measurement path or for the device, external clock needs to be disabled if the system clock is external clock in the application.

### 8.7.1 Normal Mode 1 (NOM1)

On Power-on-reset of the device, AS8515 goes into STOP State.

Transition to Normal mode1 (NOM1) occurs when the "START BIT" D0 of Mode Control Register MOD\_CTL\_REG in Table 49 is set to "1" through the serial port SPI. Data Rate of voltage and current channels can be independently programmed and both the channels generate interrupts for every output available from ADC. The interrupt signal is generated on the INT pin. The width of the interrupt pulse is eight cycles of  $I_{p\_clk}$ . The data is stable up to the next interrupt. If the data rate is different for the two channels, the interrupt rate would follow the higher rate among the two channels. Data update can be known by reading the status register. The functionality is explained in the waveform shown in Figure 19. When the device is configured to NORMAL Mode1 from any mode the configuration should be through the STOP state only.

Figure 19. Normal Mode 1



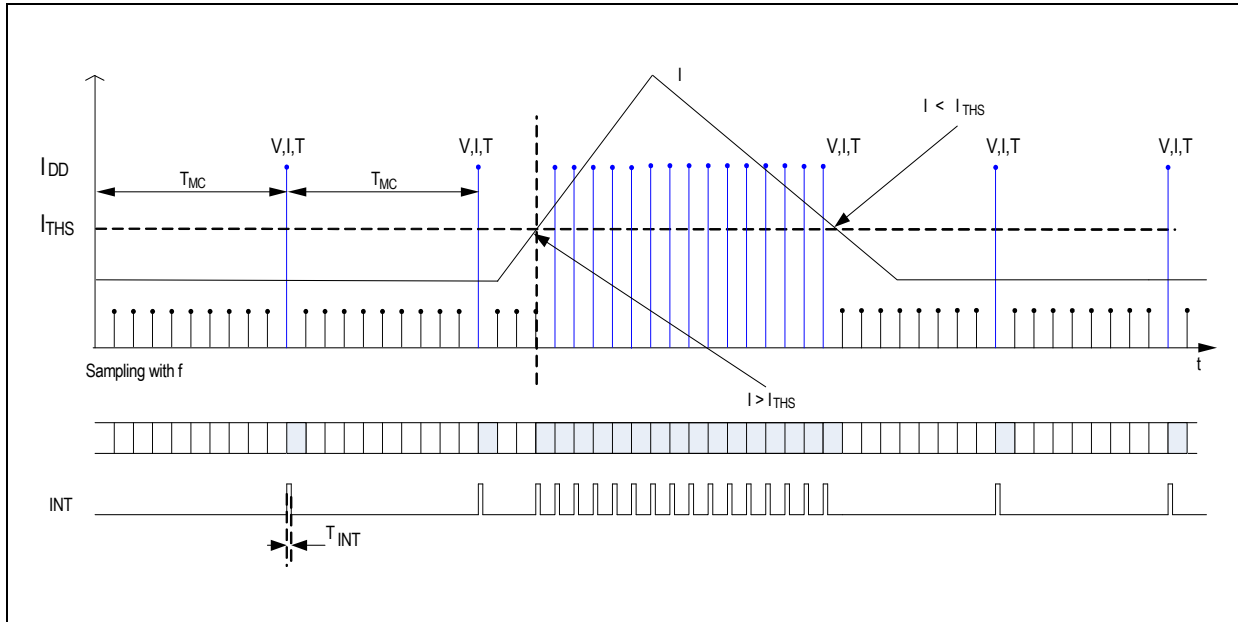
### 8.7.2 Normal Mode 2 (NOM2)

NOM2 differs from NOM1 in such a way that it allows for a relaxed data rate at a period of  $T_{MC}$  by programming the corresponding register as long as the amplitude of current is less than a programmed threshold  $I_{THC}$ . However, when the measured input signal exceeds the programmed threshold, the data rate is changed to the rate of NOM1 mode.

Transition to NOM2 occurs when the "START BIT" D0 of Mode Control register MOD\_CTL\_REG in Table 49 is set to 1 and mode control bits to 01 through SPI. In this mode the data rate should be programmed with the time of  $T_{MC}$ . An interrupt signal is generated on INT at the rate of  $T_{MC}$  secs with a pulse width of eight cycles of  $I_{p\_clk}$ . The data is stable up to the next interrupt. The data sample is compared against the programmed threshold and when it is exceeded, the data sampling rate is changed to provide data at the data rate of NOM1 mode. However, as soon as the data sample amplitude falls below the programmed threshold, the sampling rate is restored to provide data at the rate of  $T_{MC}$ . The functionality is illustrated in the waveform Figure 20.



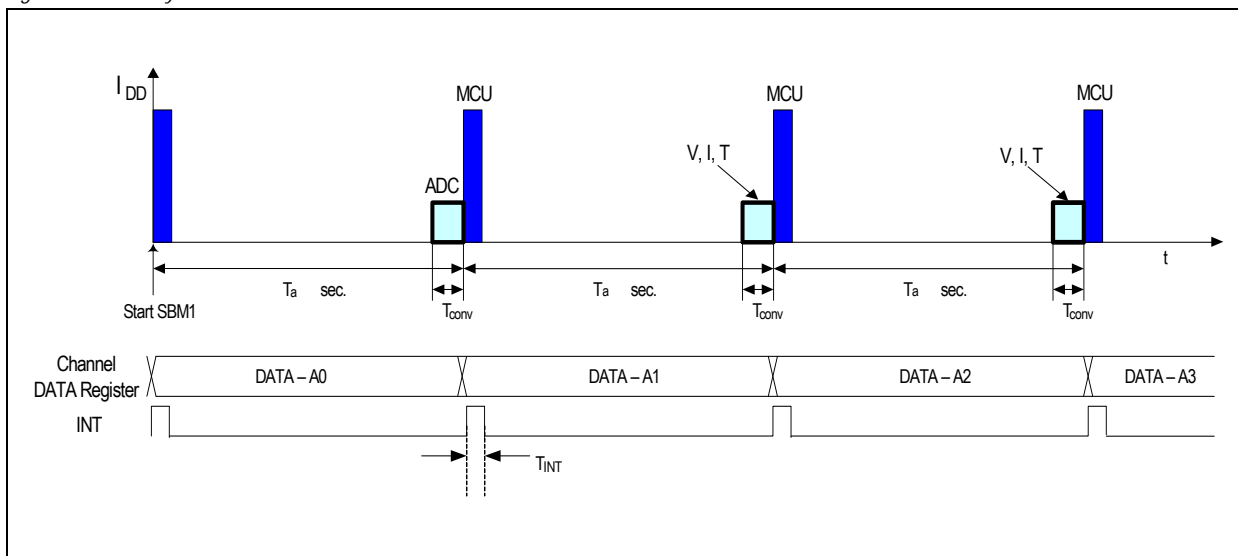
Figure 20. Normal Mode 2



### 8.7.3 Standby Mode1 (SBM1)

The low-power Standby Mode can be entered only through the STOP state. Transition to SBM1 mode occurs when the “START BIT” D0 of Mode Control register MOD\_CTL\_REG in Table 49 is set to “1” and Mode Control Bits to “10” through SPI. In this mode the date rate is programmable with the time of  $T_a$ . An interrupt signal is generated on INT at the rate of  $T_a$  seconds, and with a pulse width of eight cycles of  $I_{p\_clk}$ . The data is stable up to the next interrupt. The functionality is illustrated in Figure. During the period of  $T_a$ , only one data sample is made available and, during the rest of the period, the device is maintained in STOP state to reduce power consumption. The microcontroller which receives the data on the Interrupt, is also expected to be processing the data for a short time as shown clearly in the Figure 21 to ensure the overall low-power consumption of the data acquisition and processing system.

Figure 21. Standby Mode 1



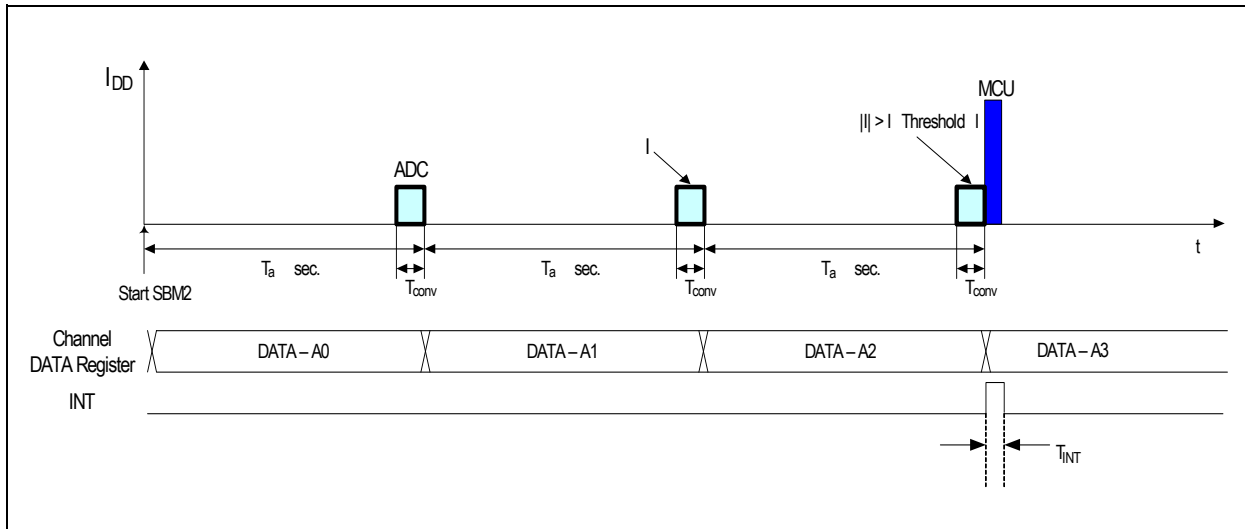




### 8.7.4 Standby Mode2 (SBM2)

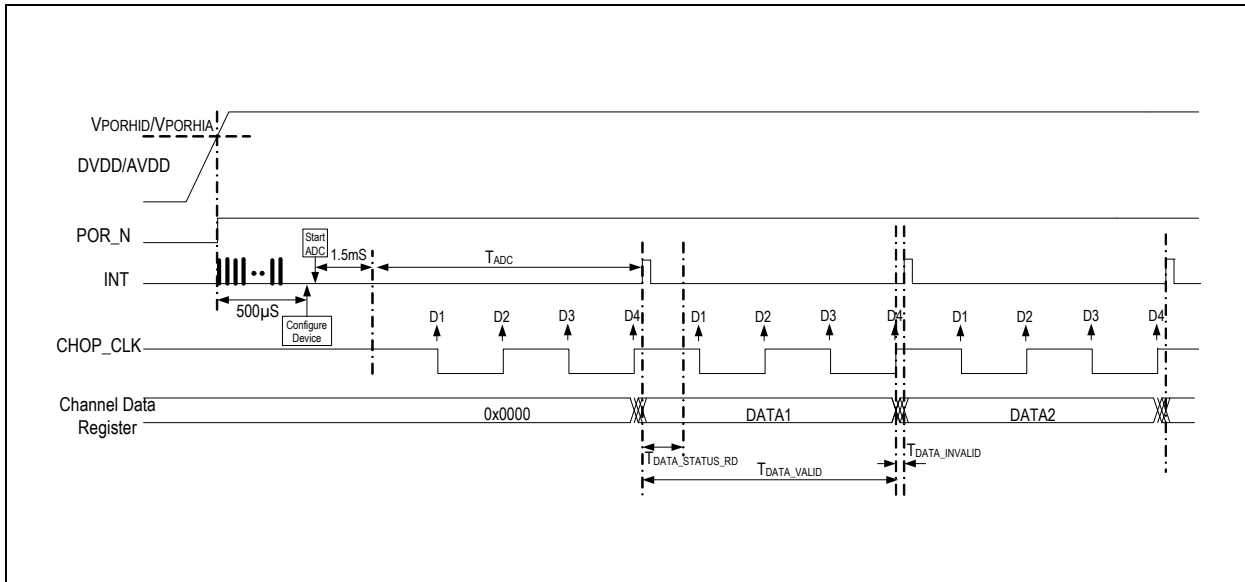
Standby Mode 2 is an extension of the Standby Mode1 to achieve even a lower power in the data acquisition system by providing interrupt to the microcontroller only when the data sample exceeds the set current threshold. The Standby Mode can be entered only through the STOP state. Transition to SBM2 mode occurs when the “START BIT” D0 of Mode Control register MOD\_CTL\_REG in Table 49 is set to “1” and Mode Control Bits D7,D6 to “1,1” through SPI. In this mode the data rate is programmable with the time of  $T_a$  in the  $T_a$  control registers B, C. The data sample is made available and an interrupt signal is generated on INT pin only when the input signal exceeds the threshold set in Current Threshold Registers D,E. It should be noted here that the data is stable for  $T_a$  seconds. The functionality is illustrated in Figure 22.

Figure 22. Standby Mode 2



### 8.8 Initialization Sequence at Power ON

Figure 23. Bottom Die Device Initialization Sequence at Power ON



Device initialization starts if the DVDD and AVDD supplies are switched ON and  $DVDD > V_{PORHID}$ . The duration period of Initialization is 500  $\mu$ sec and during this period, INT pin toggles at the rate of internal low power oscillator. Toggling on INT during the period of initialization should be ignored in the system. Device configuration and activation should be carried out only after the initialization period.

On ADC start, device enters into analog stabilization state and takes 1.5msec for oscillator and Reference to settle. After this 1.5msec period, the first interrupt will occur after a time period of  $T_{ADC}$ .



$T_{DATA\_STATUS\_RD}$  is the time period during which the micro-controller should complete reading of data and status from the device. If reading is carried out beyond this time period, then, ADC performance will degrade for next sample generation. Status register gets cleared automatically only when micro-controller reads this register. Data in the channel registers is changed after  $T_{DATA\_VALID}$  duration. Ensure that data channel registers and status registers are not read during the  $T_{DATA\_INVALID}$  duration.

**Example:**

Configuration registers are set as follows:

CLK\_REG = 8'b0010\_0000

DEC\_REG\_R1\_I = 0100\_0101

DEC\_REG\_R2\_I = 1100\_0101

FIR\_CTL\_REG\_I = 0000\_0100

ADC is configured to a data rate of 1KHz, CHOP\_CLK to 2KHz, and Modulator clock to 1MHz, Decimation ratio of CIC1 = 64, and Decimation ratio of CIC2 = 4. With these settings the various time periods as shown in the [Figure 23](#) are as follows:

$T_{DATA\_STATUS\_RD} = 100 \mu\text{sec}$

$(T_{DATA\_STATUS\_RD} = (1/\text{mod\_clk}) * R1 * [((\text{mod\_clk}/(2*\text{chop\_clk}))*(1/R1)) - 2.5])$

$T_{DATA\_INVALID} = 8 \mu\text{sec}$

$T_{ADC} = 1\text{msec}$

$T_{DATA\_VALID} = T_{ADC} - T_{DATA\_INVALID} = 1\text{msec} - 8 \mu\text{sec}$

CHOP\_CLK and POR\_N are internal signals of the device.

[Table 29](#) provides valid combinations of Modulator clock, Chopper clock and Decimation R1 and the corresponding values of  $T_{DATA\_STATUS\_RD}$  and  $T_{ADC}$ .

*Table 29. Valid Combinations of Modulator Clock, Chopper Clock and Decimation Ratio R1*

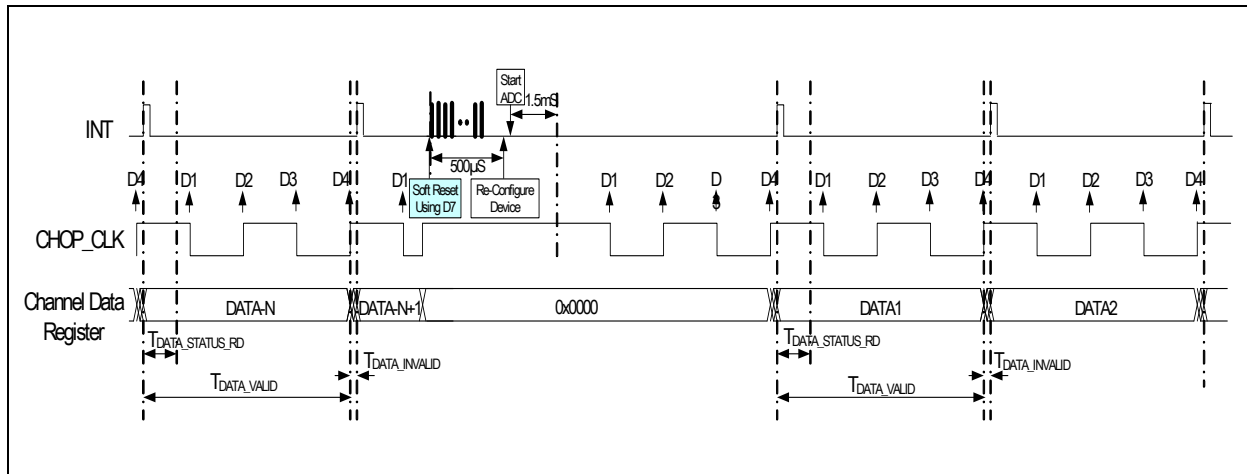
Modulator Clock	Chopper Frequency CHOP_CLK	Decimation Ratio R1	$T_{DATA\_STATUS\_RD}$	$T_{ADC}$ R2/(2*CHOP_CLK) for R2=4
1.024MHz	2KHz	64	$1\mu\text{sec} * 64 * [4 - 2.5] = 96\mu\text{sec}$	1mSec
2.048MHz	2KHz	64	$0.5\mu\text{sec} * 64 * [8 - 2.5] = 176\mu\text{sec}$	1mSec
2.048MHz	2KHz	128	$0.5\mu\text{sec} * 128 * [4 - 2.5] = 96\mu\text{sec}$	1mSec
2.048MHz	4KHz	64	$0.5\mu\text{sec} * 64 * [4 - 2.5] = 48\mu\text{sec}$	0.5mSec

### 8.8.1 Soft-reset of Device Using Bit D[7] of Reset Register 0x09

It is possible to soft-reset the device by writing "0" into D[7] bit of Reset Register at 0x09. On applying soft-reset, the device enters into initialization state and D[6] bit changes back to "1". The duration period of Initialization is 500 $\mu\text{sec}$ , and, during this period, INT pin toggles at the rate of internal low power oscillator. Toggling on INT during the period of initialization should be ignored in the system. Device configuration and activation should be carried out only after the initialization period. See [Figure 24](#) for the timing details of the sequence of device initialization on soft-reset.



Figure 24. Bottom Die Device Initialization Sequence at Soft-reset



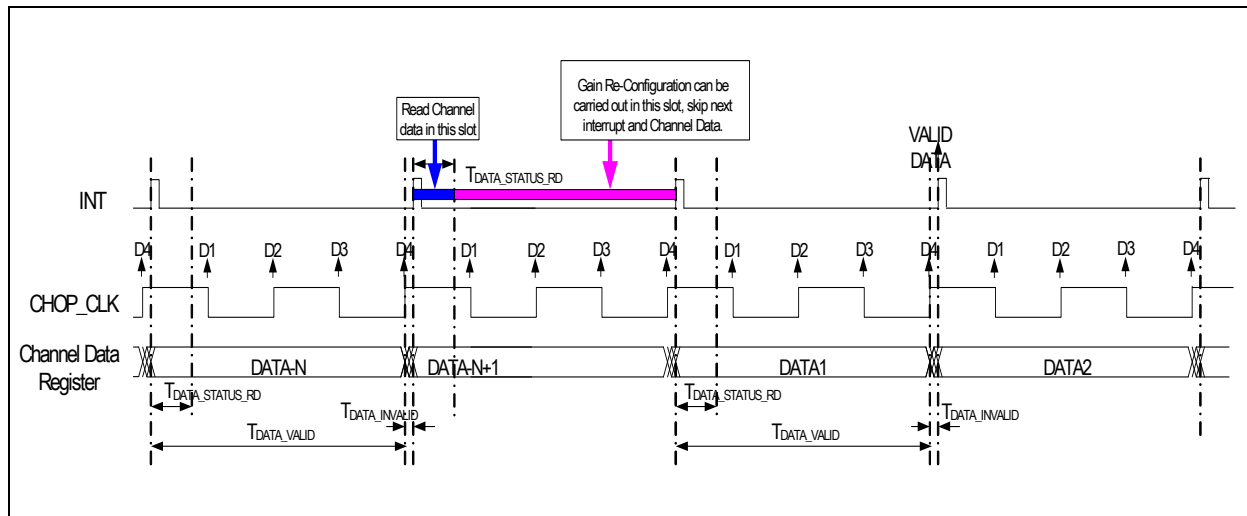
### 8.8.2 Soft-reset of the Measurement Path Using Bit D[7] of Reset Register 0x09

Measurement path also can be reset by using D[6] bit of Reset Register at 0x09. On applying soft-reset only signal measurement path registers will be reset. For applying this reset, device should be in STOP state. If the device is working with external clock, at the time of soft-reset the clock needs to be disabled.

### 8.8.3 Reconfiguring Gain Setting of PGA

Only PGA gain settings can be changed dynamically while ADC conversions are in progress. When PGA gain settings are changed, the first sample from the ADC is invalid. Ignore the first interrupt after the gain re-configuration. Valid data starts from the second interrupt onwards.

Figure 25. Bottom Die - Re-configuration of Gain Setting of PGA



### 8.8.4 Configuring the Device During Normal Mode

Following registers can be programmed dynamically when the device is in operational mode (Normal mode).

- ACH\_CTL\_REG address is 0x17 for channel selection on the voltage measurement path
- PGA\_CTL\_REG address is 0x13 for gain setting
- PD\_CTL\_REG2 address is 0x15 for PGA Bypass
- ISC\_CTL\_REG address is 0x18 for current source programmability

During the operation (Normal mode) of the device, if any of the registers need to be programmed or changed other than the above mentioned registers, then it is required to STOP the device by writing into MOD\_CTL\_REG "STOP" bit and configure the device as per the requirements and start the device.



### 8.8.5 Standby Mode - Power Consumption

In Standby Mode 1 there is a timer based accurate measurement every  $T_a$  seconds. The device itself stays in idle-mode as long as it does not get a different command from the SPI interface. Internal oscillator frequency is typically  $f_{oscint}=262$  kHz to reduce power consumption as long as the timer runs. After every time out of  $T_a$  seconds, it performs accurate measurement of current, voltage/ temperature. Data ready is signaled to microcontroller through an interrupt signal on INT and goes into STOP state.

In the SBM the following equations hold:

- $T_{sbm1} = T_a = 10s$  (default value is 10secs); the power consumption is valid for this setting. This is the period of the repetition rate in SBM 1 and SBM2.
- $T_{sett} \approx 2ms$  (depending on external capacitors). This is the time required by the analog part to settle when the new measuring period is started. Any measurements performed during  $T_{sett}$  produce invalid results.
- $T1 = 3ms$  (by default setting, every third measurement is sent to microcontroller in the SBM mode 1) is the time needed to perform the first measurement.
- $T_{meas} = T_{sett} + T1$  is the total active time needed to get a valid result.
- $DR_{SBM} = T_{meas}/T_{sbm} \approx 5ms/10s$ . This is the ratio of repetition time versus the active time (Device in NOM mode).

Power consumption = (DRSBM\*NOM mode power consumption) + ((10s-5ms)/10s)\*Stop mode power consumption)

## 8.9 Bottom Die Block Specifications

This section provides specification of design related key parameters.

### 8.9.1 Current Measurement Ranges (across $100\mu\Omega$ ( $\pm 5\%$ ) shunt resistor)

Table 30. Current Measurement Ranges

Symbol	Parameter	$I_{max}$ [A]	$V_{sh}$ [mV]	PGA Gain Nominal	Data Rate ( $f_{out}$ )	$V_{INADC}$ <sup>1</sup> [mV]	PSR <sup>2</sup> [dB]
I70	Input current range of 70A in NOM	$\pm 77$	$\pm 8.1$	100	@ 1 kHz	890	60
I200	Input current range of 200A in NOM	$\pm 235$	$\pm 24.7$	40	@ 1 kHz	1088	60
I400	Input current range of 400A in NOM	$\pm 400$	$\pm 42$	25	@ 1 kHz	1137	60
I1500	Input current range of 1500A in NOM	+2076/-1523	+218/-160	5	@ 1 kHz	1204	60

1.  $V_{INADC} = V_{sh} * Gain$ , gain deviations to be considered according to [Table 32](#) and [Table 33](#).

2. AVDD, DVDD of 3.3V with  $\pm 5\%$  variation.

**Note:** The Data Rate at the output can be calculated according to the formula:

$$f_{out} = 2 * f_{chop} / R2 \quad (R2 \text{ is down sampling ratio taking values } 1, 2, 4 \text{ up to } 32768 \text{ as powers of } 2)$$

Table 31. Valid Combinations of the Chopper Clock, Oversampling Clock and Decimation Ratios

Over Sampling Frequency	Chopper Frequency	Decimation Ratio
1.024MHz	2kHz	64
2.048MHz	2kHz	64
2.048MHz	2kHz	128
2.048MHz	4kHz	64



### Differential Input Amplifier for Current Channel.

Table 32. Differential Input Amplifier for Current Channel

Symbol	Parameter	Conditions	Min	Typ	Max	Units
V <sub>IN_AMP</sub>	Input voltage range	RSHH and RSHL	-160		+160	mV
I <sub>IN_AMP</sub>	Input current <sup>1, 11</sup>	RSHH and RSHL @ +160mV input voltage at 125°C with PGA	-50	2	50	nA
ICM	Absolute input voltage range <sup>2</sup>			-160 +300		mV
G = G1	Gain1 <sup>3, 4, 9</sup>	I10		100		
G = G2	Gain2 <sup>3, 4, 9</sup>	I200		40		
G = G3	Gain3 <sup>3, 4, 9</sup>	I400		25		
G = G4	Gain4 <sup>3, 4, 9</sup>	I1500		5		
e	Gain deviation	i = 1, 2, 3, 4	0.9 * Gi		1.1 * Gi	
f <sub>P_AMP</sub>	Pole frequency <sup>4, 5</sup>		15			kHz
εT1	Gain drift with temperature <sup>6</sup>	-20°C to +65°C Gain 5, 25, referenced to room temperature			±0.5	%
V <sub>OSDRIFT</sub>	Offset drift with temperature <sup>7, 10</sup>			350		μV
V <sub>OS</sub>	Input referred offset <sup>7, 10</sup>	After trim at -20deg			350	μV
V <sub>OS_ch</sub>		Chopping enabled		0		LSB
V <sub>Ndin</sub>	Noise density <sup>4, 8</sup>			25		nV/√Hz
THD	Total harmonic distortion	For 150 Hz input signal		70		dB

#### Notes:

1. Leakage test accuracy is limited by tester resource accuracy and tester hardware.
2. For gain 100 PGA input common mode is 0V and the minimum supply is 3.15V.
3. The measurement ranges are referred only by the gain of input amplifier, while other parameters such as bandwidth etc. are programmed independently.
4. This parameter is not measured directly in production. It is measured indirectly via gain measurements of the whole path. It is guaranteed by design.
5. Pole frequency of input amplifier changes with GAIN. The number is valid for the gain at G1, while the bandwidth will be higher for other ranges. This parameter is not measured in production.
6. Based on device evaluation. Not tested.
7. These offsets are cancelled if chopping enabled (default).
8. Noise density calculated by taking system bandwidth as 150Hz.
9. Refer to Measurement Ranges shown in [Table 30](#).
10. No impact on the measurement path. If the chopping is enabled, both the offset and offset drift will be eliminated.
11. For negative input voltages up to -160mV below ground, Input leakage is typically -20nA @ 65°C due to forward conductance of protection diode.



### Differential Input Amplifier for Voltage Channel.

Table 33. Differential Input Amplifier for Voltage Channel

Symbol	Parameter	Conditions	Min	Typ	Max	Units
$V_{IN\_AMP}$	Input voltage range <sup>1, 10</sup>		-160		+160	mV
$I_{IN\_RES}$	Input resistance <sup>2, 10</sup>	VBAT_IN, ETR, ETS @ +160mV input voltage at 125°C with PGA		12.5		kΩ
ICM	Absolute input voltage range <sup>3</sup>			-160 +300		mV
G = G1	Gain1 <sup>4, 5</sup>			100		
G = G2	Gain2 <sup>4, 5</sup>			40		
G = G3	Gain3 <sup>4, 5</sup>			25		
G = G4	Gain4 <sup>4, 5</sup>			5		
e	Gain deviation	i = 1, 2, 3, 4	0.9 * Gi		1.1 * Gi	
$f_{P\_AMP}$	Pole frequency <sup>5, 6</sup>		15			kHz
$V_{NDIN}$	Noise density <sup>5, 7</sup>			25		nV/√Hz
THD	Total harmonic distortion	For 150Hz input signal		70		dB
$\epsilon_{T1}$	Gain drift with temperature <sup>8</sup>	-20°C to +65°C Gain 5, 25, referenced to room temperature			±0.5	%
$V_{OS}$	Input referred offset <sup>9</sup>	After trim at -20°C			350	μV
$V_{OS\_ch}$		Chopping enabled		0		LSB
$V_{OSDRIFT}$	Offset drift with temperature <sup>9</sup>			350		μV

#### Notes:

1. Input for the voltage channel can be as high as 1220mV, in this high input case PGA will be bypassed.
2. Leakage test accuracy is limited by tester resource accuracy and tester hardware, especially at low temperatures due to condensing moisture.
3. For gain 100 PGA input common mode is 0V and the minimum supply is 3.15V.
4. The measurement ranges are referred only by the gain of input amplifier, while other parameters such as bandwidth etc. are programmed independently.
5. This parameter is not measured directly in production. It is measured indirectly via gain measurements of the whole path. It is guaranteed by design.
6. Pole frequency of input amplifier changes with changing the GAIN. The number is valid for the gain at G1, while the bandwidth will be higher for other ranges. This parameter is not measured in production.
7. Noise density calculated by taking system bandwidth as 150Hz.
8. Based on device evaluation. Not tested.
9. No impact on the measurement path. If the chopping is enabled, both the offset and offset drift will be eliminated.
10. For negative input voltages up to -160mV below ground, Input leakage is typically -20nA @ 65°C due to forward conductance of protection diode.



### Sigma Delta Analog to Digital Converter.

Table 34. Sigma Delta Analog to Digital Converter

Symbol	Parameter	Conditions	Min	Typ	Max	Units
V <sub>REF</sub>	Reference voltage <sup>6</sup>			1.225		V
V <sub>INADC</sub>	Input range <sup>1</sup>	At V <sub>REF</sub> = 1.22V	0		±1.22	V
R1	Oversampling ratio/Decimation Ratio <sup>2</sup>		64	128	128	
f <sub>ovs</sub>	Oversampling frequency <sup>3</sup>			1024/ 2048		kHz
RES	Number of bits				16	bits
BW	Bandwidth <sup>4</sup>		1		500	Hz
S/N	Signal to noise ratio <sup>5</sup>			90		dB

#### Notes:

1. Production test at ±800mV. Maximum V<sub>IN</sub> can be 1.22V with V<sub>REF</sub>=1.225V.
2. Programmable. It is defined with respect to the first decimator in the ΣΔ ADC.
3. Programmable: Internal clock is 1024/2048 kHz; external clock max is 8192 kHz.
4. Dependent on f<sub>ovs</sub>, R1 and R2. The bandwidth is calculated according to the formula: BW=f<sub>ovs</sub>/(2\*R1\*R2); the sampling frequency at the output of the A/D converter is 2\*BW.
5. Defined at maximum input signal, BW=500 Hz (1Hz to 500 Hz), f<sub>ovs</sub>=1024 kHz, R1=64, f<sub>chop</sub>=2 kHz and R2=2.
6. Reference voltage might be forced from external.

### Bandgap Reference Voltage.

Table 35. Bandgap Reference Voltage

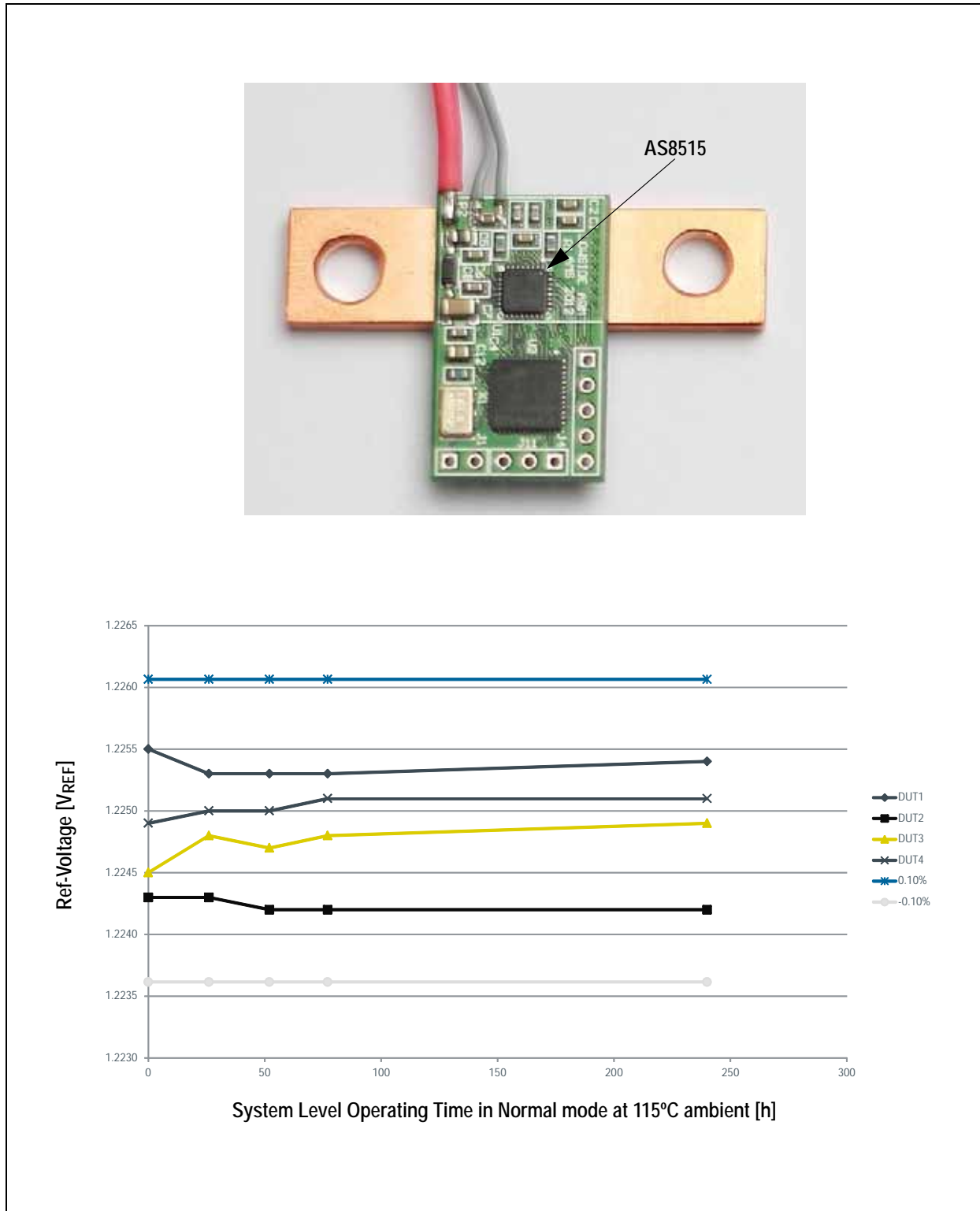
Symbol	Parameter	Conditions	Min	Typ	Max	Units
V <sub>REFTRIM</sub>	Reference Voltage after trim <sup>1, 2, 3</sup>	Trim at 65°C		1.225		V
V <sub>REFACC</sub>	Reference Voltage Initial Accuracy <sup>1, 2, 3</sup>	At 65°C (0 Hour data)			±3.5	mV
V <sub>REFDRIFT</sub>	Reference Voltage Temperature drift	Temperature range -20°C to 65°C			±0.4	%
		Temperature range -40°C to 125°C		+0.4/ -0.6		%
PSRR <sub>REF</sub>	PSR @ dc			80		dB
SUT <sub>AVDD</sub>	Start Up Time with supply ramp <sup>4</sup>			5		ms
SUT <sub>PD</sub>	Start Up Time from power down <sup>4</sup>				1	ms
R <sub>NDVREF</sub>	Output resistance of band gap			500	1000	Ω
V <sub>NDVREF</sub>	Bandgap reference thermal noise density <sup>4</sup>				300	nV/√Hz
CL <sub>VREF</sub>	Output Capacitor (Ceramic)			100		nF
ESR <sub>VREF</sub>			0.02		1	Ω

#### Notes:

1. Accuracy at 65°C. No DC current is allowed from this pin.
2. Specification does not include solder shift and life time drift.
3. Please refer [Figure 26](#) for typical life time drift based on system level measurements.
4. This is a design parameter and not production tested.



Figure 26. Typical System-level  $V_{REF}$  Drift







### Internal (Programmable) Current Source for External Temperature Measurement.

Table 36. External Temperature Measurement

Symbol	Parameter	Conditions	Min	Typ	Max	Units
$I_{CURON}$	5-bit current source enabled <sup>1</sup>	5-bit programmable current source	0	270	320	$\mu A$
$I_{CUROFF}$	5-bit current source disabled	Limited by leakage		10		nA
$T_{K\_CS}$	Temperature coefficient of current source <sup>2</sup>			1000		ppm / °K
$V_{MAXETR}$	Voltage on pin ETR <sup>3</sup>				1000/G	mV
$V_{MAXETRMOD}$	Max voltage on pin ETR when PGA is bypassed <sup>4</sup>				1.22	V
$V_{MAXETS}$	Voltage on pin ETS for resistor sensor <sup>3</sup>				1000/G	V
$V_{MAXETSMOD}$	Max. Voltage on pin ETS when PGA is bypassed <sup>5</sup>				1.22	V

#### Notes:

1. Current value can be programmed through stop mode in steps of  $8\mu A$  from 0 to  $256\mu A$  with a process error of 30%.
2. Temperature coefficient is not important since external temperature measurement is a 2 step measurement. The value specified is guaranteed by design and will not be tested in production.
3. Maximum voltage on pin ETR (reference) can be calculated by given formula, where G is the gain of PGA ( $G=100$ ).
4. Maximum voltage on pin ETR, if PGA is bypassed.
5. Maximum voltage on pin ETS, if PGA is bypassed.

### CMREF Circuit (VCM).

Table 37. CMREF Circuit

Symbol	Parameter	Min	Typ	Max	Units
$V_{VCM}$	Output voltage	1.6	1.7	1.8	V
CL	Load capacitance		100		nF

### Internal AVDD Power-on Reset.

Table 38. Internal AVDD Power-on Reset

Symbol	Parameter	Min	Typ	Max	Units
$V_{PORHIA}$	Power On Reset Threshold	2.2	2.4	2.6	V
$t_{PORA}$	POR time - The duration from Power ON till the time, internal Power On Reset signal goes HIGH <sup>1</sup>	1			$\mu s$
$I_{PORA}$	Current consumption in POR block <sup>2</sup>		1.5		$\mu A$

1. POR pulse is always longer than  $t_{PORA}$  whatever the slope of the supply.
2.  $I_{PORA}$  can not be switched off.



### Internal DVDD Power-on Reset.

Table 39. Internal DVDD Power-on Reset

Symbol	Parameter	Min	Typ	Max	Units
$V_{PORHID}$	Power On Reset Threshold	2.2	2.4	2.7	V
$V_{HYST}$	Hysteresis <sup>1</sup>	0.2	0.25	0.4	V
$t_{PORD}$	POR time - The duration from Power ON till the time, internal Power On Reset signal goes HIGH <sup>2</sup>	1			$\mu$ s
$I_{PORD}$	Current <sup>3</sup>		1.5		$\mu$ A

- $V_{PORLO} = V_{PORHI} - V_{HYST}$  where  $V_{PORLO}$  is the lower threshold of POR.
- $V_{PORLO} = V_{PORHI} - V_{HYST}$  where  $V_{PORLO}$  is the lower threshold of POR.
- $I_{PORD}$  can not be switched off.

### Low Speed Oscillator.

Table 40. Low Speed Oscillator

Symbol	Parameter	Min	Typ	Max	Units
$f_{LS}$	Frequency		262.144		kHz
$f_{LS\_ACC}$	Accuracy		$\pm 7$		%
$I_{LS}$	Supply current		5		$\mu$ A

### High Speed Oscillator.

Table 41. High Speed Oscillator

Symbol	Parameter	Min	Typ	Max	Units
$f_{HS}$	Frequency		4.096		MHz
$f_{HSACC}$	Accuracy <sup>1</sup>		$\pm 4$		%
$I_{HS}$	Supply current		300		$\mu$ A

#### Notes:

- Accuracy after trimming.

### External Clock.

Table 42. External Clock

Symbol	Parameter	Conditions	Min	Typ	Max	Units
$f_{CLKEXT}$	Clock frequency			2048/ 4096/ 8192		kHz
$DIV_{CLKEXT}$	Clock division factor	to be programmed in Register 08 CLK_REG through the serial bus SPI.		2/4/8		
$DC_{CLKEXT}$	Duty Cycle of external clock		40		60	%



### Internal Temperature Sensor.

Table 43. Internal Temperature Sensor

Symbol	Parameter	Conditions	Min	Typ	Max	Units
$T_{INTRNG}$	Temperature sensor range		-40		125	°C
$\Delta T_{IN}$	Temperature measurement accuracy			3		°C
$T_{INTSLP}$	Temperature sensor slope	Guaranteed by design; at PGA gain 5 which is the recommended Gain for internal temperature measurement.		27		Digits/C
$T_{INT65G5}$	Temperature sensor output at gain 5		40660	41807	43012	Digits

### 8.9.2 System Specifications

Table 44. System Specifications

Symbol	Parameter	Min	Typ	Max	Units
$I_s$	Channel to channel isolation <sup>1</sup>			-90	dB
$A_t$	Difference in channel to channel attenuation @600Hz <sup>1,2</sup>			3	dB
$Ph$	Difference in phase shift between the two channels @600Hz <sup>1,2</sup>			5	Deg

#### System Measurement Error Budget for Voltage and Current Channel.

Temperature Range: -20°C to +65°C; Output data rate is 1kHz, VCC = 3.3V, chopping enabled.

Table 45. System Measurement Error Budget for Gains 5 and 25

Symbol	Parameter	Conditions	Min	Typ	Max	Units
Err	System measurement error <sup>3,4</sup>			±0.6	1	%
	Measurement error due to PGA gain drift	From device evaluation			±0.5	%
	Measurement error due to VREF drift				±0.4	%
	Measurement error due to non-linearity of PG	Tested by distortion measurements			±0.025	%

#### Notes:

1. These specifications are defined by taking one channel as reference and measured on the other channel.
2. Guaranteed by design.
3. System measurement error due to noise, individual block parameter drifts and non linearity. Based on evaluation, not tested.
4. System error due to offset is neglected because of chopper architecture.



## 9 4-Wire SPI Interface

The SPI interface can also be used as interface between the AS8515 and an external micro-controller to configure the device and access the status information. Micro-controller begins communication with the SPI configured as a slave. The SPI protocol is very simple and the length of each frame is an integer multiple of byte except when a transmission is started. Basically each frame has 1 command bits, 5 address/ configuration bits, 1 or more data bytes. SPI clock polarity settings depend on the value of the SCLK on the CS falling edge. This setting is done on each start of the SPI transaction. During the transaction SPI clock polarity will be fixed to the settings done. On the CS falling edge the values on SCLK signal decide setting of the active SPI clock edge for data transfer (see Table 46).

Table 46. CS and SCLK

CS <sup>1</sup>	SCLK	Description
FALL	LOW	Serial data transferred on rising edge of SPI clock. Sampled at falling edge of SPI clock.
FALL	HIGH	Serial data transferred on falling edge of SPI clock. Sampled at rising edge of SPI clock.
ANY	ANY	Serial data transfer edge is unchanged.

1. Pin CST is used to program top device and pin CSB is used to program bottom device.

### 9.1 SPI Timing Parameters

Table 47. 4-Wire Serial Port Interface

Symbol	Parameter	Conditions	Min	Typ	Max	Units
<b>General</b>						
BR <sub>SPI</sub>	Bit rate				250	Kbps
T <sub>SCLKH</sub>	Clock high time		2			μs
T <sub>SCLKL</sub>	Clock low time		2			μs
<b>Write Timing</b>						
t <sub>DIS</sub>	Data in setup time		20			ns
t <sub>DIH</sub>	Data in hold time		10			ns
T <sub>CSH</sub>	CS hold time		20			ns
<b>Read Timing</b>						
t <sub>DOD</sub>	Data out delay				80	ns
t <sub>DOHZ</sub>	Data out to high impedance delay	Time for the SPI to release the SDO bus			80	ns
<b>Timing parameters when entering 4-Wire SPI mode (for determination of CLK polarity)</b>						
t <sub>CPS</sub>	Clock setup time (CLK polarity)	Setup time of SCLK with respect to CS falling edge	20			ns
t <sub>CPHD</sub>	Clock hold time (CLK polarity)	Hold time of SCLK with respect to CS falling edge	20			ns



### 9.1.1 SPI Frame

A frame is formed by a first byte for command and address/configuration and a following bit stream that can be formed by an integer number of bytes. Command is coded on the 1 first bit, while address is given on LSB 5 bits (see Table 48).

Table 48. Command Bits

Command Bits			Register Address or Transmission Configuration				
C0	Reserved	Reserved	A4	A3	A2	A1	A0

C0	Command	<A4:A0>	Description
0	WRITE	ADDRESS	Writes data byte on the given starting address
1	READ	ADDRESS	Reads data byte from the given starting address

If the command is read or write, one or more bytes follow. When the micro-controller sends more bytes (keeping CS LOW and SCLK toggling), the SPI interface increments the address of the previous data byte and writes/reads data to/from consecutive addresses.

### 9.1.2 Write Command

For Write command C0 = 0.

After the command code C0 and two reserved bits, the address of register to be written has to be provided from the MSB to the LSB. Then one or more data bytes can be transferred, always from the MSB to the LSB. For each data byte following the first one, used address is the incremented value of the previously written address. Each bit of the frame has to be driven by the SPI master on the SPI clock transfer edge and the SPI slave on the next SPI clock edge samples it. These edges are selected as per clock polarity settings. In the following figures two examples of write command (without and with address self-increment).

Figure 27. Protocol for Serial Data Write with Length = 1

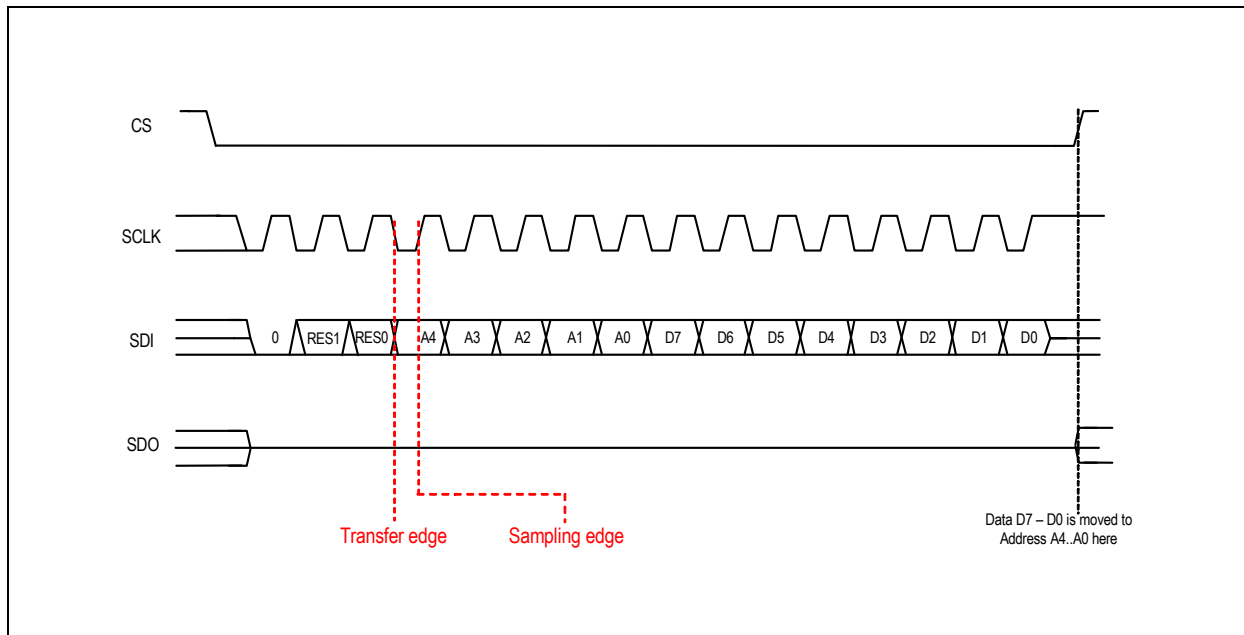
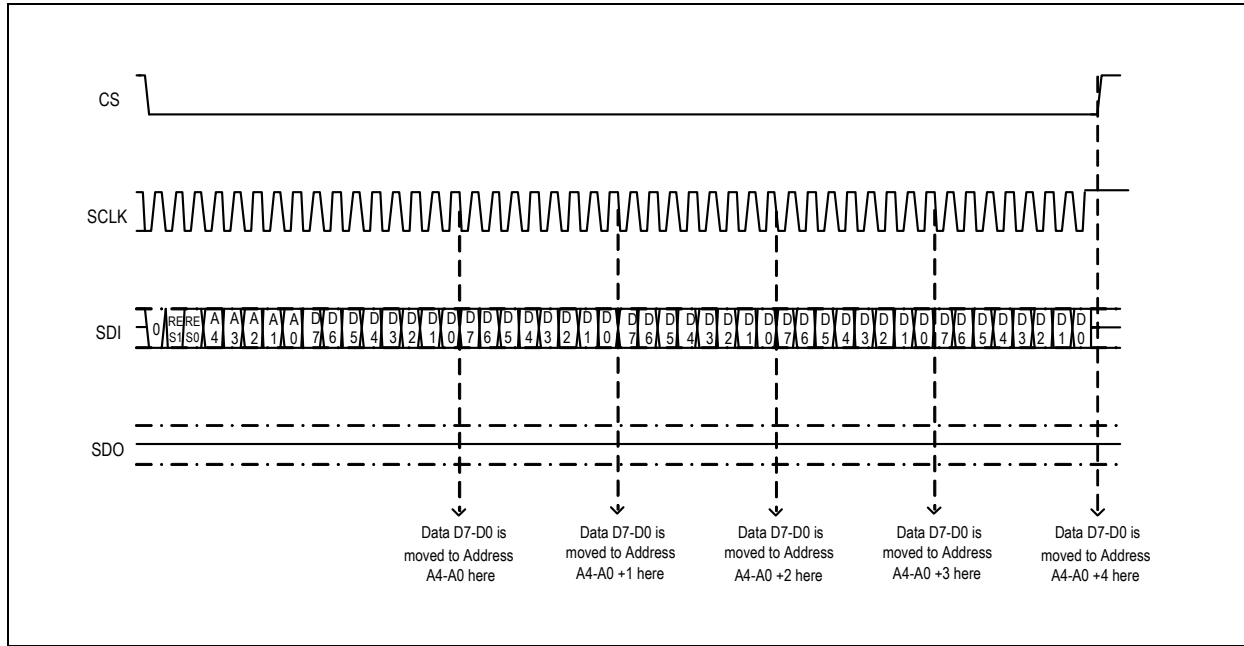




Figure 28. Protocol for Serial Data Write with Length = 4



### 9.1.3 Read Command

For Read command C0=1.

After the command code C0 and two reserved bits, the address of register to be read has to be provided from the MSB to the LSB. Then one or more data bytes can be transferred from the SPI slave to the master, always from the MSB to the LSB. To transfer more bytes from consecutive addresses, SPI master has to keep active the SPI CS signal and the SPI clock as long as it desires to read data from the slave. Each bit of the command and address sections of the frame have to be driven by the SPI master on the SPI clock transfer edge and the SPI slave on the next SPI clock edge samples it. Each bit of the data section of the frame has to be driven by the SPI slave on the SPI clock transfer edge and the SPI master on the next SPI clock edge samples it. These edges are selected as per clock polarity settings. In the following figures, two examples of read command (without and with address self-increment) have been shown.

Figure 29. Protocol for Serial Data Read with Length = 1

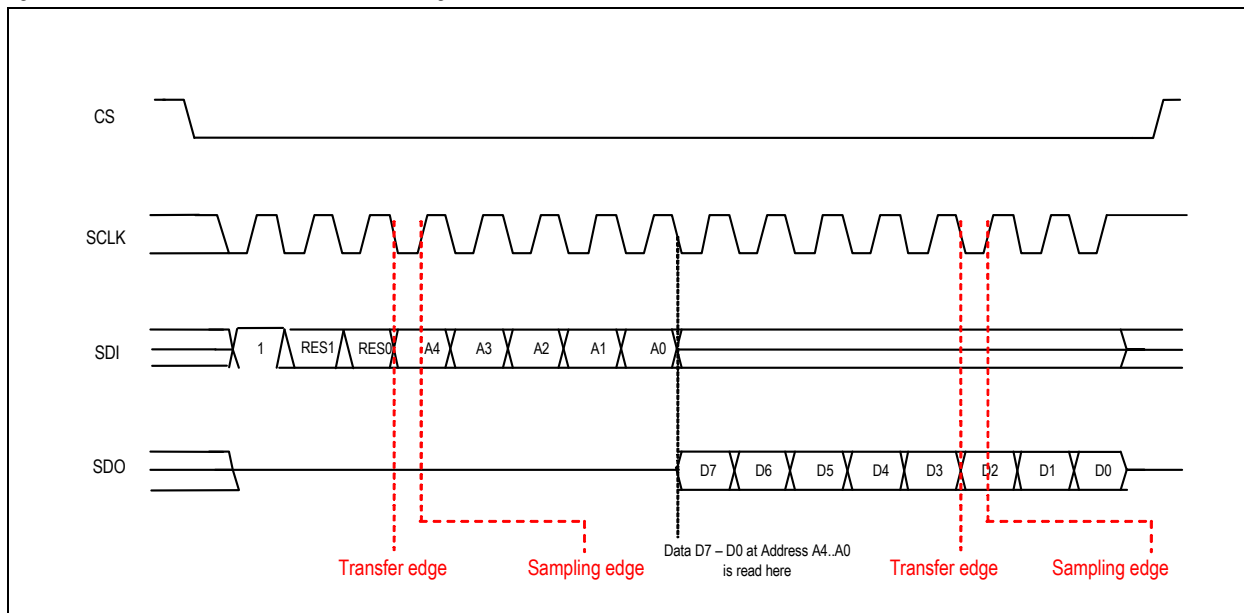
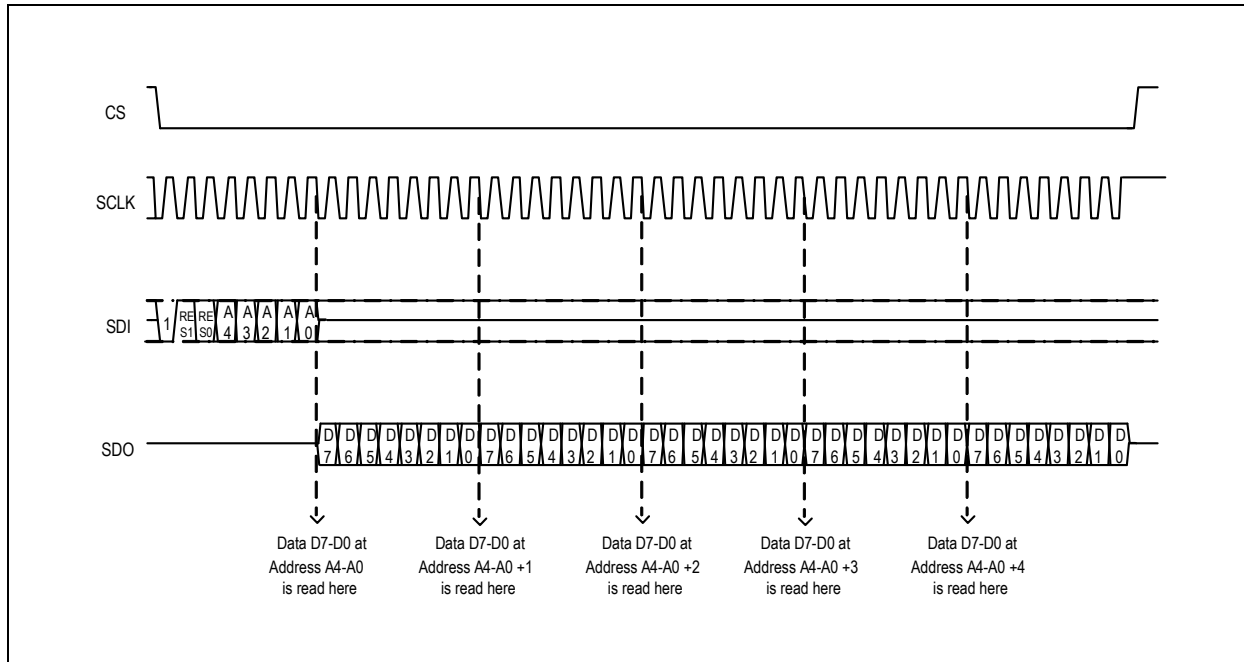




Figure 30. Protocol for Serial Data Read with Length = 4



### 9.1.4 Timing

In the following figures timing waveforms and parameters are exposed.

Figure 31. Timing for Writing

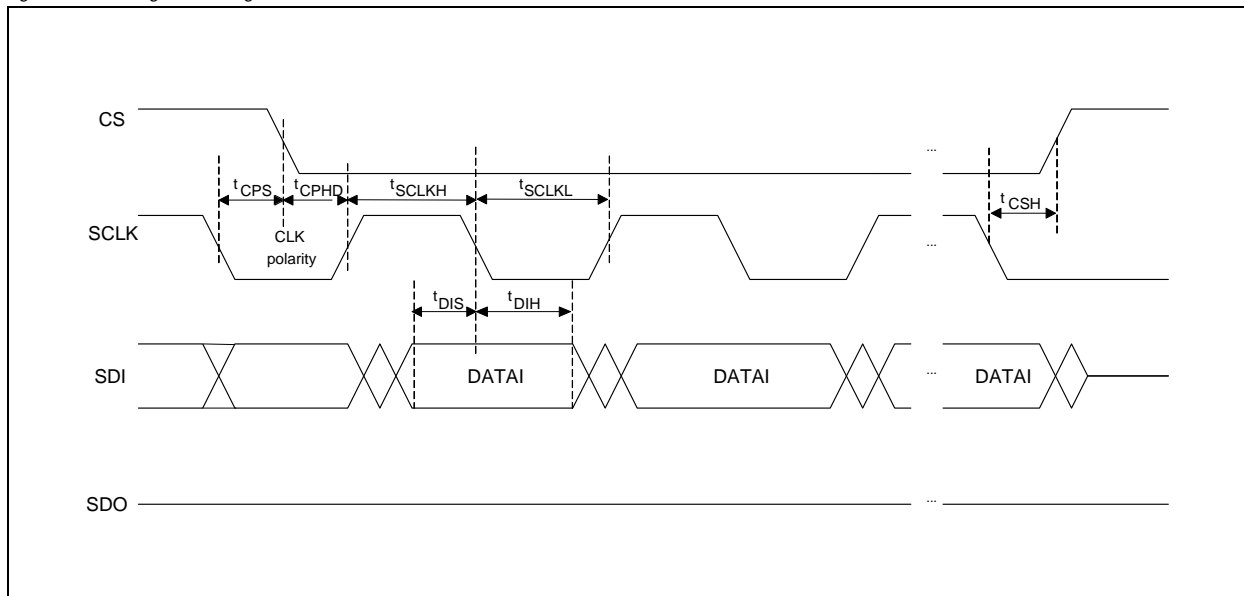
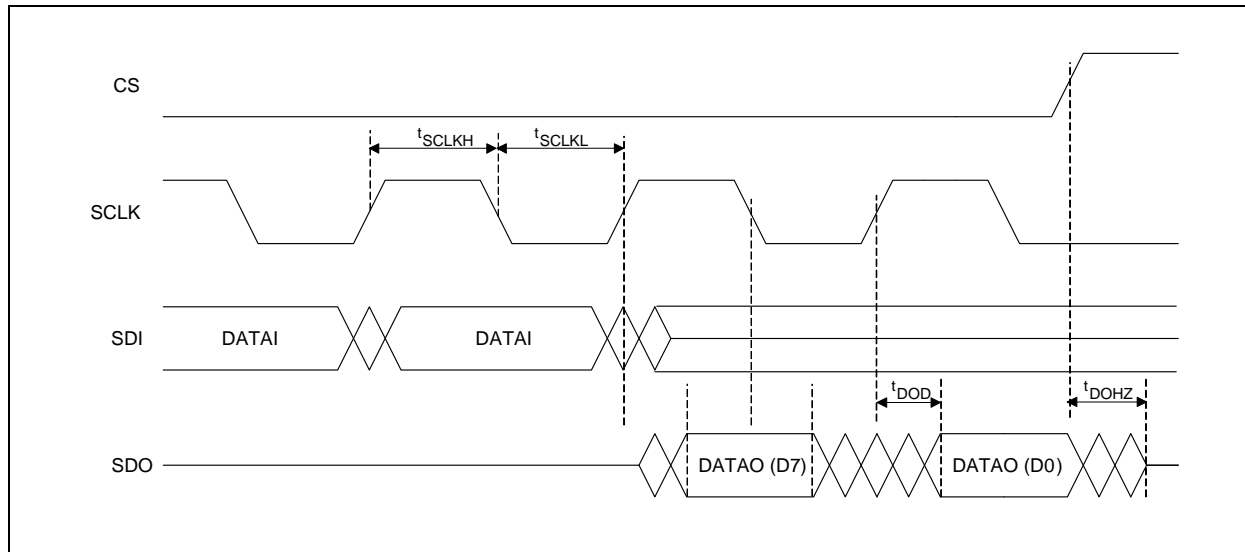




Figure 32. Timing for Reading



## 9.2 Bottom Die Registers

This section describes the control registers used in AS8515 *Bottom die*. Registers can be broadly classified into the following categories.

- Data access registers
- Status Registers
- Digital signal path control registers
- Digital Control registers
- Analog Control Registers

Table 49. Control Registers

Addr in HEX	Register Name	POR Value	R/W	8-bit Control / Status Data	
<b>Data Access Registers</b>					
00	DREG_I1 (ADC Data Register for Current)	0000_0000	R	D[7:0]	Denotes the Current ADC MSB Byte (ADC_I[15:8])
01	DREG_I2 (ADC Data Register for Current)	0000_0000	R	D[7:0]	Denotes the Current ADC LSB Byte (ADC_I[7:0])
02	DREG_V1 (ADC Data Register for Voltage)	0000_0000	R	D[7:0]	Denotes the Voltage ADC MSB Byte (ADC_V[15:8])
03	DREG_V2 (ADC Data Register for Voltage)	0000_0000	R	D[7:0]	Denotes the Voltage ADC LSB Byte (ADC_V[7:0])





Table 49. Control Registers

Addr in HEX	Register Name	POR Value	R/W	8-bit Control / Status Data	
Status Registers					
04	STATUS_REG	0000_0000	R	D[7]	NOM1/NOM2 Data Ready
				D[6]	NOM2 Threshold Crossover
				D[5]	SBM1 Data Ready
				D[4]	SBM2 Threshold Crossover
				D[3]	APOR status
				D[2]	Data from current channel updated
				D[1]	Data from voltage channel updated
				D[0]	Reserved



Table 49. Control Registers

Addr in HEX	Register Name	POR Value	R/W	8-bit Control / Status Data		
<b>Digital Signal Path Control Registers for Current Channel</b>						
05	DEC_REG_R1_I	0100_0101	R/W	D[7]	This bit selects decimation rate is used for current channel. Default is 0 (Down Sampling Rate is 64)	
					0	Down Sampling Rate is 64
					1	Down Sampling Rate is 128
				D[6:5]	These two bits select division ratio of oversampling frequency clock MOD_CLK to be used as chopper clock, CHOP_CLK. Default is "10" (divide by 512)	
					00	Chopper Clock Always High
					01	Divide by 256
					10	Divide by 512
				D[4:1]	These four bits select the decimation ratio of second CIC stage. Default is "0010" (equal to 4)	
					0000	1
					0001	2
					0010	4
					0011	8
					0100	16
					0101	32
					0110	64
					0111	128
					1000	256
					1001	512
					1010	1024
					1011	2048
D[0]	CIC1 Saturation Interrupt Mask Control. Default is 1					
	0	Unmask				
	1	Mask				



Table 49. Control Registers

Addr in HEX	Register Name	POR Value	R/W	8-bit Control / Status Data		
06	DEC_REG_R2_I	1100_0101	R/W	D[7]	I-Channel Enable, Default 1=enable	
				D[6]	V-Channel Enable, Default 1=enable	
				D[5]	Interrupt polarity	
					0	Active high
				1	Active low	
				D[4]	. Interrupt Mask Control for Current Channel Data Ready Interrupt on INT pin (Default is 0)	
					0	Unmasked
				1	Masked	
				D[3:2]	These two bits select the source of output 16-bit data in Normal mode from Current channel. Default is 01	
					00	FIR / MA Output
					01	CIC2 Output
					10	Dechop/Demod Output
				D[1:0]	These two bits select the source of output 16-bit data in SBM mode from Current channel. Default is 01	
					00	FIR / MA Output
					01	CIC2 Output
					10	Dechop/Demod Output
11	CIC1 Output					



Table 49. Control Registers

Addr in HEX	Register Name	POR Value	R/W	8-bit Control / Status Data		
07	FIR CTL_REG_I	0000_0100	R/W	D[7]	This bit selects FIR / MA Filter in Current channel. Default is 0 (FIR)	
					0	FIR
					1	MA Filter
				D[6:3]	These bits select the number of data samples for averaging in MA filter in Current channel. Default is 0000 (bypass)	
					0000	bypass
					0001	1
					0011	3
					0111	7
				D[2:1]	These two bits select the Measurement Path architecture in both Current and Voltage channels. Default is 10 (Dechopper after CIC)	
					00	Demodulator after CIC1
					01	Demodulator before CIC1
10	Dechopper after CIC1 (preferred and suggested)					
D[0]	11	Demodulator before CIC1 with settled sample				
	Reserved. Default 0. Do not change					



Table 49. Control Registers

Addr in HEX	Register Name	POR Value	R/W	8-bit Control / Status Data					
<b>Digital Control Registers</b>									
08	CLK_REG (Clock Control Register)	0010_0000	R/W	D[7:6]	Oversampling frequency clock selection. Default is 00 (high speed (HS) internal Clock)				
					00	Internal HS Clock with No Clock Output			
					01	Internal HS Clock with Clock Output			
								10	External Clock
				D[5:4]	These two bits select the division ratio for HS clock/ external clock. Default is 10 (division by 4)				
					00	No division			
					01	Divide by 2			
					10	Divide by 4			
				D[3:2]	These two bits select the division ratio of HS clock, by which it should be divided before providing it on CLK pin. Default is 00 (No Division)				
					00	No Division			
					01	Divide by 2			
					10	Divide by 4			
				D[1]	This bit selects the division ratio of LS clock				
					0	LS_CLK undivided (Low Speed clock)			
				1	LS_CLK divide by 2				
D[0]	Reserved								
09	RESET_REG (Reset Control Register)	1100_0000	R/W	D[7]	Entire device can be soft reset by writing "0" into this register bit. This bit will take a default 1 value on coming out of Reset				
				D[6]	Measurement Path can be soft reset by writing "0" into this register bit. This bit will take a default 1 value after Measurement Path is reset.				
				D[5:0]	Reserved				



Table 49. Control Registers

Addr in HEX	Register Name	POR Value	R/W	8-bit Control / Status Data		
0A	MOD_CTL_REG (Mode Control Registers)	0000_0000	R/W	D[7:6]	These two bits select the operating mode of the Device. Default is 00 (Normal Mode 1)	
					00	Normal Mode 1
					01	Normal Mode 2
					10	Standby Mode 1
				D[5:3]	11	Standby Mode 2
					These three bits select the number of cycles to be ignored before comparison with the set threshold in Standby Mode. Default is 000 (3 cycles of data)	
					000	3 cycles of data
					001	4 cycles of data
					010	5 cycles of data
					011	6cycles of data
					100	7 cycles of data
					101	8 cycles of data
				D[2]	110	9 cycles of data
					111	10 cycles of data
					This bit controls the CHOP_CLK availability on CHOP_CLK pin. Default is 0	
				0	0	Disabled
1	Enabled					
D[1]	Enabling the MEN pin to indicate transition from Standby to Normal Mode.					
	0	Disabled				
D[0]	1	Enabled				
	This bit is used to take the device from STOP state to any of the Modes based on D[7:6] selection of this register.					
	0	Retain in STOP state				
0B	MOD_Ta_REG1 (Ta Control Register)	1000_0000		D[7]	Unit of Ta in SBM1/SBM2. Default is 1	
					0	Unit is in milliseconds
				1	Unit is in seconds	
D[6:0]	MSB value of Ta					
0C	MOD_Ta_REG2 (Ta Control Register)	0000_0000	R/W	D[7:0]	Unit of Ta in SBM1/SBM2 LSB value of Ta	
0D	MOD_ITH_REG1 (Current Threshold Register)	0000_0000	R/W	D[7:0]	MSB bits of 16 bits SBM2 threshold register	
0E	MOD_ITH_REG2 (Current Threshold Register)	0000_0000	R/W	D[7:0]	LSB bits of 16 bits SBM2 threshold register	



Table 49. Control Registers

Addr in HEX	Register Name	POR Value	R/W	8-bit Control / Status Data			
0F	MOD_TMC_REG1 (T <sub>MC</sub> Control Registers)	0000_0000	R/W	D[7:0]	MSB value of number of data samples to be dropped from ADC before sending Interrupt in NOM2		
10	MOD_TMC_REG2 (T <sub>MC</sub> Control Register)	0000_0000	R/W	D[7:0]	LSB value of number of data samples to be dropped from ADC before sending Interrupt in NOM2		
11	NOM_ITH_REG1	0000_0000	R/W	D[7:0]	Eight MSB bits of NOM2 current threshold register		
12	NOM_ITH_REG2	0000_0000	R/W	D[7:0]	Eight LSB bits of NOM2 current threshold register		
<b>Analog Control Registers</b>							
13	PGA_CTL_REG (PGA Control Registers)	0101_0000	R/W	D[7:6]	Setting of Gain G of Current Channel PGA. Default is 01 (G = 25)		
					00	5	
					01	25	
					10	40	
				D[5:4]	11	100	
					Setting of Gain G in Voltage channel. Default is 01 (G = 25)		
					00	5	
					01	25	
D[3:0]	10	40					
	11	100					
Reserved							
14	PD_CTL_REG_1 (Power Down Control Register)	1100_1111	R/W	D[7]	0	Disable Chopper clock to Current channel	
					1	Enable Chopper clock to Current channel	
				D[6]	0	Disable Chopper clock to Voltage channel	
					1	Enable Chopper clock to Voltage channel	
				D[5]		Reserved	
				D[4]		Reserved	
				D[3]	0	Disable Current channel PGA	
					1	Enable Current channel PGA	
				D[2]	0	Disable Current channel $\Sigma\Delta$ Modulator	
					1	Enable Current channel $\Sigma\Delta$ Modulator	
				D[1]	0	Disable Voltage channel PGA	
					1	Enable Voltage channel PGA	
D[0]	0	Disable Voltage channel $\Sigma\Delta$ Modulator					
	1	Enable Voltage channel $\Sigma\Delta$ Modulator					



Table 49. Control Registers

Addr in HEX	Register Name	POR Value	R/W	8-bit Control / Status Data		
15	PD_CTL_REG_2 (Power Down Control Register)	1111_0011	R/W	D[7]	0	Disable CIC1 of both channels
					1	Enable CIC1 of both channels
				D[6]	0	Disable CIC2 of both channels
					1	Enable CIC2 of both channels
				D[5]	0	Disable Dechopper in both channels
					1	Enable Dechopper in both channels
				D[4]	0	Disable FIR in both channels
					1	Enable FIR in both channels
				D[3]	0	Do not bypass PGA in Current Channel Default 0
					1	Bypass PGA in Current Channel
				D[2]	0	Do not bypass PGA in Voltage Channel Default 0
					1	Bypass PGA in Voltage Channel <b>Note:</b> For Automotive Battery measurement, ensure that the PGA is bypassed to connect battery voltage (attenuated by factor of 21) directly to the ADC input.
				D[1]	0	Disable Current Channel Chopper
					1	Enable Current Channel Chopper
D[0]	0	Disable Voltage Channel Chopper				
	1	Enable Voltage Channel Chopper				
16	PD_CTL_REG_3 (Power Down Control Register)	1111_1000		D[7]	0	Disable Common Mode Reference
					1	Enable Common Mode Reference
				D[6]	0	Disable Internal Current Source
					1	Enable Internal Current Source
				D[5]	0	Disable Internal temperature sensor
					1	Enable Internal temperature sensor
				D[4]	Reserved. (Default 1) Do not change	
				D[3]	Reserved. (Default 1) Do not change	
				D[2]	0	Data Output in binary numbering system
					1	Data Output in 2's complement numbering system
				D[1]	Reserved. (Default 0) Do not change	
D[0]	Reserved					





Table 49. Control Registers

Addr in HEX	Register Name	POR Value	R/W	8-bit Control / Status Data		
17	ACH_CTL_REG (Analog Channel Selection Register)	0000_0000	R/W	D[7:6]	These bits specify the selection of voltage/temperature in Voltage Channel Default is 00 (Voltage Channel)	
					00	Voltage Channel
					01	External Temperature Channel ETR
					10	External Temperature Channel ETS
					11	Internal Temperature Channel
				D[5]	Reserved. (Default 0) Do not change	
				D[4]	Internal current source switch enable. Default is 0 <b>Note:</b> D4 bit is used for Enabling current source to the channel selected by bits D[7,6] of this register.	
					0	Disabled
					1	Enabled
				D[3]	Enable/disable Internal current source to RSHH pin of Current channel	
					0	Disabled
				D[2]	Enable/disable current source switch to RSHL pin of Current channel	
0	Disabled					
D[1:0]	1	Enabled				
	Reserved					
18	ISC_CTL_REG (Current Source Setting Register)	0000_0000	R/W	D[7:3]	These three bits specify the selection of magnitude of current from the Internal current source. Default is 00000 (0μA).	
					00000	0μA
					00001	8.5μA
					00010	17μA
					00100	34.5μA
					01000	68μA
					10000	135μA
					11111	270μA
D[2:0]	Reserved					
19	OTP_EN_REG	0000_0000	R/W	D[7]	1	Reserved (default = 1) Do not change
				D[6:0]	Reserved	
44	STATUS_REG_2	0000_0000	R	D[7]	Status indicating data saturation in Current channel	
				D[6]	Status indicating data saturation in Voltage channel	
				D[5:0]	Reserved	



Table 49. Control Registers

Addr in HEX	Register Name	POR Value	R/W	8-bit Control / Status Data		
Digital Signal path control registers for Voltage Channel						
45	DEC_REG_R1_V	0100_0101	R/W	D[7]	Selection of Decimation ratio for Voltage/Temperature channel. Default is 0 (Down Sampling Rate is 64)	
					0	Down Sampling Rate is 64
					1	Down Sampling Rate is 128
				D[6:5]	Division of oversampling clock, which is used as Chopper Clock. Default is 10 (divide by 512)	
					00	Chopper Clock Always High
					01	Divide by 256
					10	Divide by 512
					11	Divide by 1024
				D[4:1]	Decimation ratio of CIC2. Default is 0010 (4)	
					0000	1
					0001	2
					0010	4
					0011	8
					0100	16
					0101	32
					0110	64
					0111	128
					1000	256
					1001	512
					1010	1024
D[0]	CIC1 Saturation Interrupt Mask Control. Default is 1					
	0	Unmasked				
	1	Masked				



Table 49. Control Registers

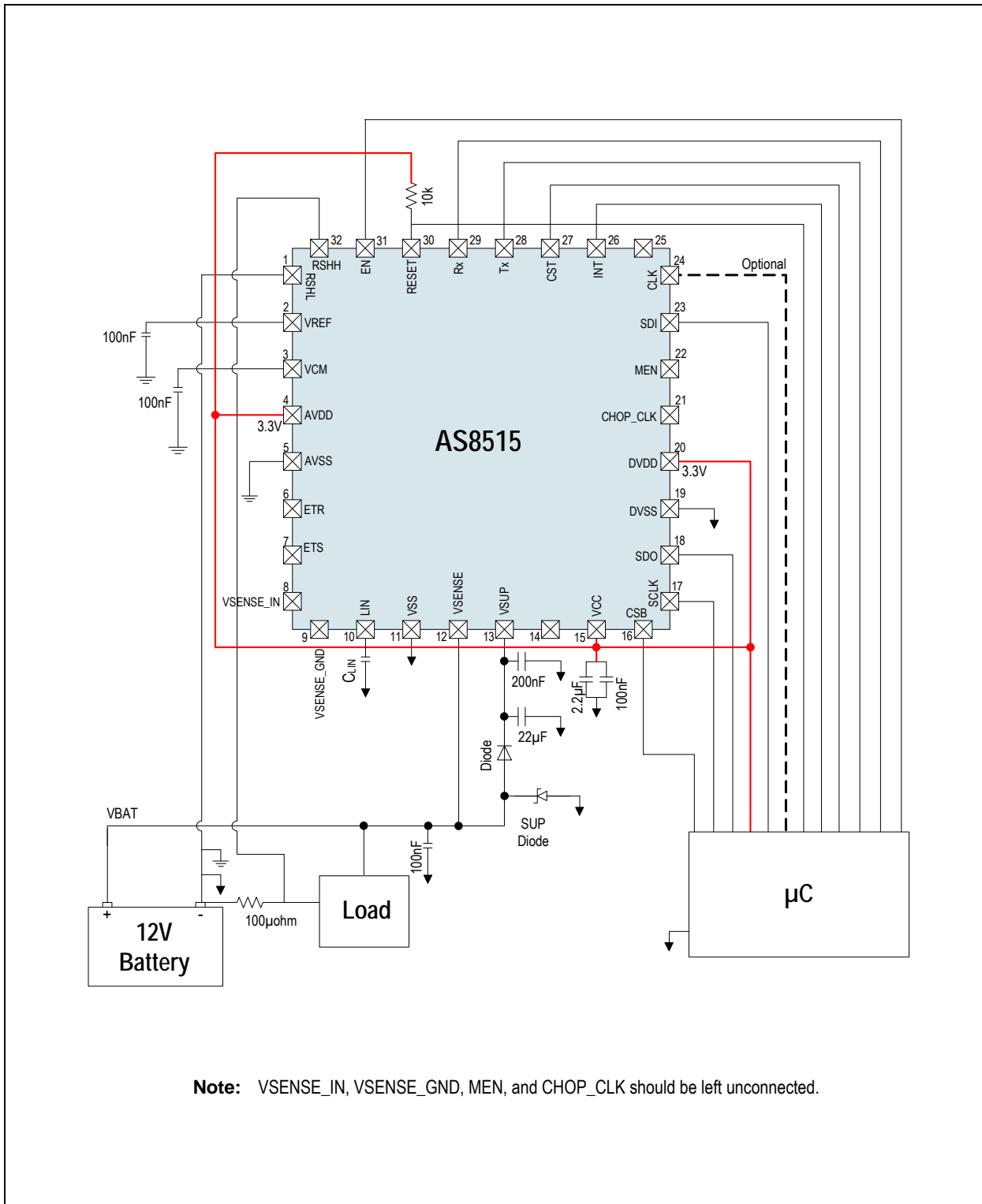
Addr in HEX	Register Name	POR Value	R/W	8-bit Control / Status Data		
46	DEC_REG_R2_V	0000_0100	R/W	D[7:5]	Reserved	
				D[4]	Interrupt Mask Control for Voltage channel data Ready Interrupt on INT pin (Default is 0)	
					0	Unmasked
					1	Masked
				D[3:2]	These two bits select the source of output 16-bit data in Normal mode from Voltage channel. Default is 01	
					00	FIR / MA Output
					01	CIC2 Output
10	Dechop/Demod Output					
	11	CIC Output				
D[1:0]	Reserved					
47	FIR_CTL_REG_V	0000_0000	R/W	D[7]	This bit selects FIR / MA Filter in Voltage channel. Default is 0 (FIR)	
					0	FIR
					1	MA Filter
				D[6:3]	These bits select the number of data samples for averaging in MA filter in Voltage channel. Default is 0000 (bypass)	
					0000	bypass
					0001	1
					0011	3
0111	7					
	1111	15				
D[2:0]	Reserved					

**Note:** All the registers from address 0x19 to 0x2C are read-only.



## 10 Application Information

Figure 33. Application Diagram



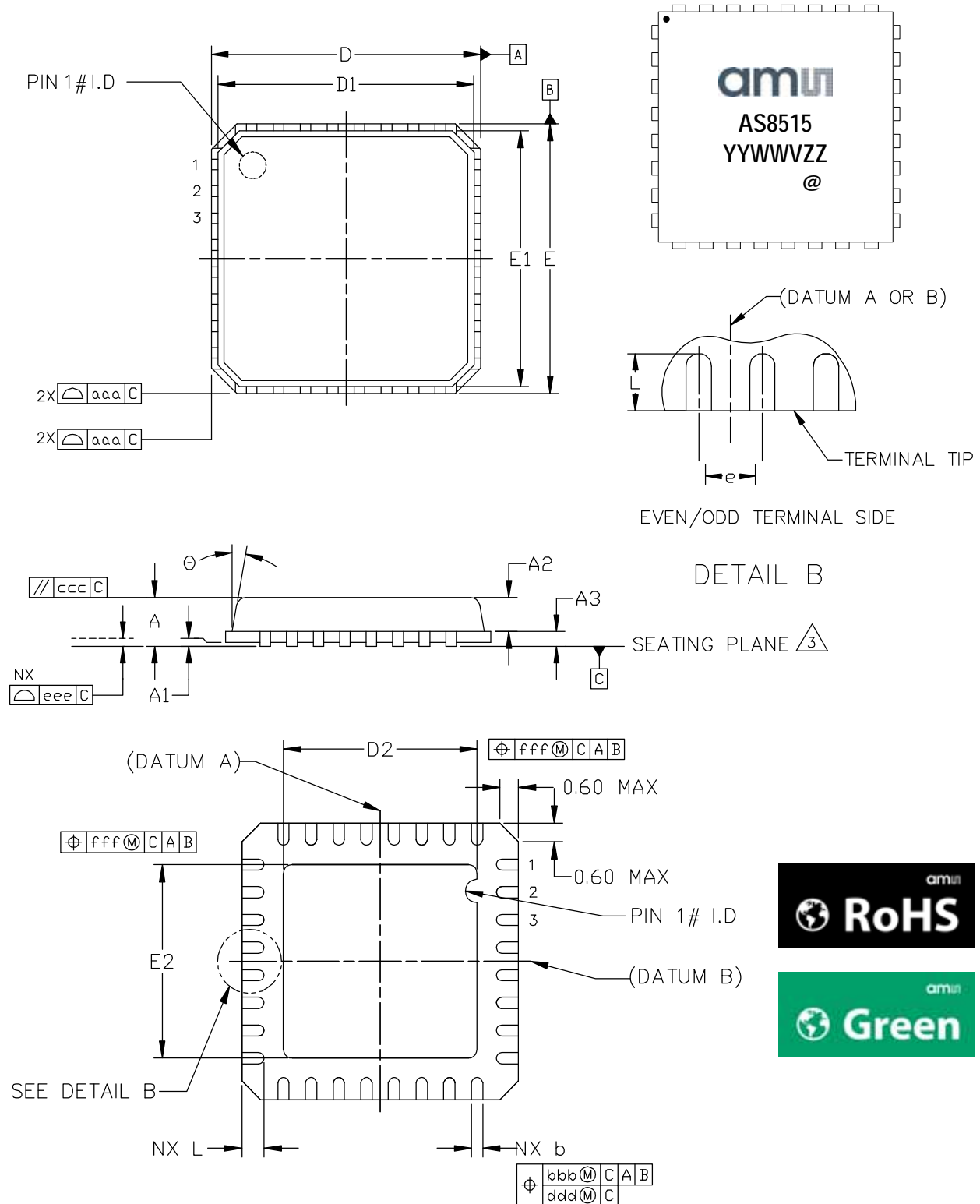
**Note:** Keep the differential input signal lines short, symmetric, and as close as possible. Use of PCB shielding layers is recommended, but consider Eddy currents for fast changes in shunt current and related parasitic signal / ground shift generation.



# 11 Package Drawings and Markings

The devices are available in a 32-pin MLF (5x5 mm) package.

Figure 34. Package Drawings and Dimensions





Symbol	Min	Nom	Max
A	0.80	0.90	1.00
A1	0	0.02	0.05
A2	-	0.65	1.00
A3	0.20 REF		
L	0.30	0.40	0.50
$\theta$	0°	-	14°
b	0.18	0.25	0.30
D	5.00 BSC		
E	5.00 BSC		
e	0.50 BSC		
D1	4.75 BSC		
E1	4.75 BSC		

Symbol	Min	Nom	Max
D2	3.40	3.50	3.60
E2	3.40	3.50	3.60
aaa	-	0.15	-
bbb	-	0.10	-
ccc	-	0.10	-
ddd	-	0.05	-
eee	-	0.08	-
fff	-	0.10	-
N	32		

**Notes:**

1. Dimensions and tolerancing conform to *ASME Y14.5M -1994*.
2. All dimensions are in millimeters. Angles are in degrees.
3. Bilateral coplanarity zone applies to the exposed pad as well as the terminal.
4. Radius on terminal is optional.
5. N is the total number of terminals.

**Marking:** YYWWVZZ.

YY	WW	V	ZZ	@
Last two digits of the manufacturing year	Manufacturing Week	Plant Identifier	Traceability Code	Sublot identifier



## Revision History

Revision	Date	Owner	Description
0.1	Dec 16, 2011	zmo/mbr	Initial draft
0.2	Jan 25, 2012	zmo	Updated table information on <a href="#">LIN Driver (page 24)</a> Pins 10, 11 updated in the file (Pin Assignments, <a href="#">Figure 33</a> )
0.3	Mar 07, 2012		Updated power dissipation info in <a href="#">Absolute Maximum Ratings (page 7)</a>
0.4	Aug 14, 2012		Updated <a href="#">Table 14</a> , <a href="#">Figure 33</a> .
0.5	Nov 22, 2012	zmo/mbr	Updated Operating Conditions, Electrical Characteristics, Ordering Information, <a href="#">Figure 12</a> , <a href="#">Table 30</a> , <a href="#">Table 32</a> , <a href="#">Table 33</a> , <a href="#">Table 45</a> .
0.6	Mar 22, 2013	zmo	<a href="#">Table 1</a> and <a href="#">Table 6</a> updated.
0.7	Jul 26, 2013		Updated <a href="#">Table 30</a> , added <a href="#">Figure 26</a> and notes to <a href="#">Table 35</a> , modified <a href="#">Table 30</a> , updated information in <a href="#">Figure 26</a> .
	Jul 31, 2013	mbr	Updated AS8515 Block Diagram <a href="#">Figure 1</a> .

**Note:** Typos may not be explicitly mentioned under revision history.



## 12 Ordering Information

The devices are available as the standard products shown in [Table 50](#).

*Table 50. Ordering Information*

Ordering Code	Description	Delivery Form	Package
AS8515-ZMFP	Data acquisition system with power management and LIN transceiver	Tape & Reel (5000 pcs)	32-pin MLF (5x5 mm)
AS8515-ZMFM		Tape & Reel (500 pcs)	

**Note:** All products are RoHS compliant and ams green.  
Buy our products or get free samples online at ICdirect: <http://www.ams.com/ICdirect>

Technical Support is available at <http://www.ams.com/Technical-Support>

For further information and requests, please contact us [mailto: sales@ams.com](mailto:sales@ams.com)  
or find your local distributor at <http://www.ams.com/distributor>





## Copyrights

Copyright © 1997-2013, ams AG, Tobelbaderstrasse 30, 8141 Unterpremstaetten, Austria-Europe. Trademarks Registered ®. All rights reserved. The material herein may not be reproduced, adapted, merged, translated, stored, or used without the prior written consent of the copyright owner.

All products and companies mentioned are trademarks or registered trademarks of their respective companies.

## Disclaimer

Devices sold by ams AG are covered by the warranty and patent indemnification provisions appearing in its Term of Sale. ams AG makes no warranty, express, statutory, implied, or by description regarding the information set forth herein or regarding the freedom of the described devices from patent infringement. ams AG reserves the right to change specifications and prices at any time and without notice. Therefore, prior to designing this product into a system, it is necessary to check with ams AG for current information. This product is intended for use in normal commercial applications. Applications requiring extended temperature range, unusual environmental requirements, or high reliability applications, such as military, medical life-support or life-sustaining equipment are specifically not recommended without additional processing by ams AG for each application. For shipments of less than 100 parts the manufacturing flow might show deviations from the standard production flow, such as test flow or test location.

The information furnished here by ams AG is believed to be correct and accurate. However, ams AG shall not be liable to recipient or any third party for any damages, including but not limited to personal injury, property damage, loss of profits, loss of use, interruption of business or indirect, special, incidental or consequential damages, of any kind, in connection with or arising out of the furnishing, performance or use of the technical data herein. No obligation or liability to recipient or any third party shall arise or flow out of ams AG rendering of technical or other services.



## Contact Information

### Headquarters

ams AG  
Tobelbaderstrasse 30  
A-8141 Unterpremstaetten, Austria  
Tel: +43 (0) 3136 500 0  
Fax: +43 (0) 3136 525 01

For Sales Offices, Distributors and Representatives, please visit:

<http://www.ams.com/contact>