

# *ASM2006C*

## **DATA SHEET**

### **APLUS INTEGRATED CIRCUITS INC.**

**Address:**

3 F-10, No. 32, Sec. 1, Chenggung Rd., Taipei,  
Taiwan 115, R.O.C.  
(115)台北市南港區成功路一段 32 號 3 樓之 10.

**TEL:** 886-2-2782-9266

**FAX:** 886-2-2782-9255

**WEBSITE :** <http://www.aplusinc.com.tw>

**Sales E-mail:**

[sales@aplusinc.com.tw](mailto:sales@aplusinc.com.tw)

**Technology E-mail:**

[service@aplusinc.com.tw](mailto:service@aplusinc.com.tw)

---

---

**ASM2006C** — *VERY LOW-COST VOICE SYNTHESIZER WITH 4-BIT MICROPROCESSOR***1.0 General Description**

The ASM2006C is very low cost voice synthesizer with 4-bit microprocessor. It has various features including 4-bit ALU, ROM, RAM, I/O ports, timers, clock generator, watchdog timer(WDT), voice synthesizer, etc. It consists of 22 instructions in the device. With CMOS technology and halt function can minimize power dissipation. Its architecture is similar to RISC, with two stages of instruction pipeline. It allows all instructions to be executed in a single cycle, except for program branches and data table read instructions (which need two instruction cycles).

**1.1 Feature**

- ◆ Single power supply can operate from 2.4V through 5V
- ◆ Internal Program ROM: 4K x 10-bit
- ◆ 1 sets of 16-bit DPR can access up to 64K x 10 bits data memory space
- ◆ Data Registers:
  - 64 x 4-bit data RAM (00-1Fh plus 40h-5Fh)
  - Unbanked special function registers (SFR) range: 20h-3Fh
- ◆ I/O Ports:
  - PRA: 4-bit I/O Port A (2Bh)
  - PRB: 2-bit Output Port B (2Dh)
- ◆ On-chip clock generator: Resistive Clock Drive(*RM*)
- ◆ Timer: 1
  - Timer0: a 9-bit auto-reload timer/counter
- ◆ Stack: 2-level subroutine nesting
- ◆ HALT and Release from HALT function to reduce power consumption
- ◆ Watch Dog Timer (*WDT*)
- ◆ Instruction: 1-cycle instruction except for table read and program branches which are 2-cycles
- ◆ Number of instruction: 22
- ◆ The Voice function can be implemented by microprocessor instruction
  - One 8-bit COUT output for ASM2006C

FIGURE 1.1 : Block Diagram of ASM2006C

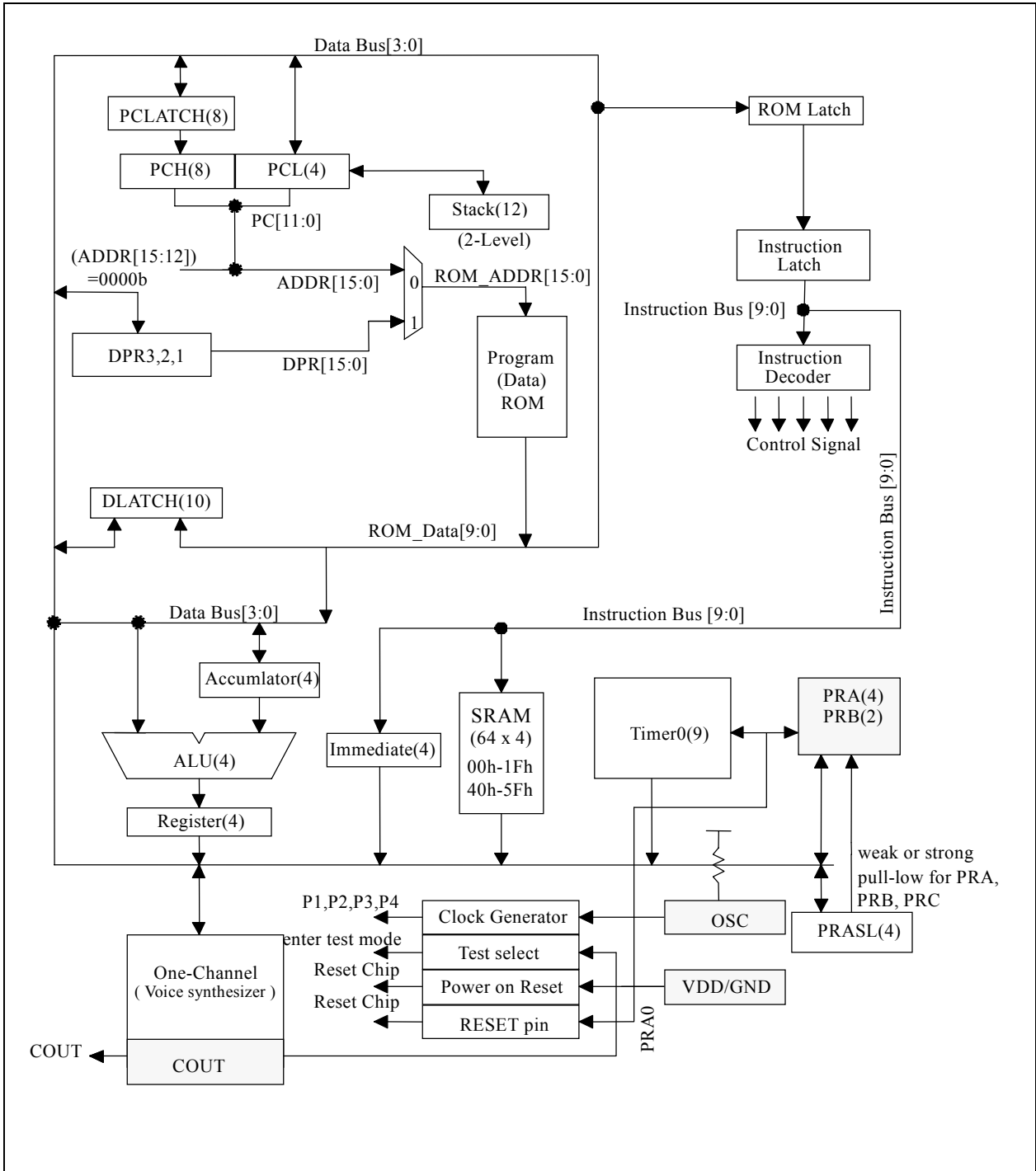
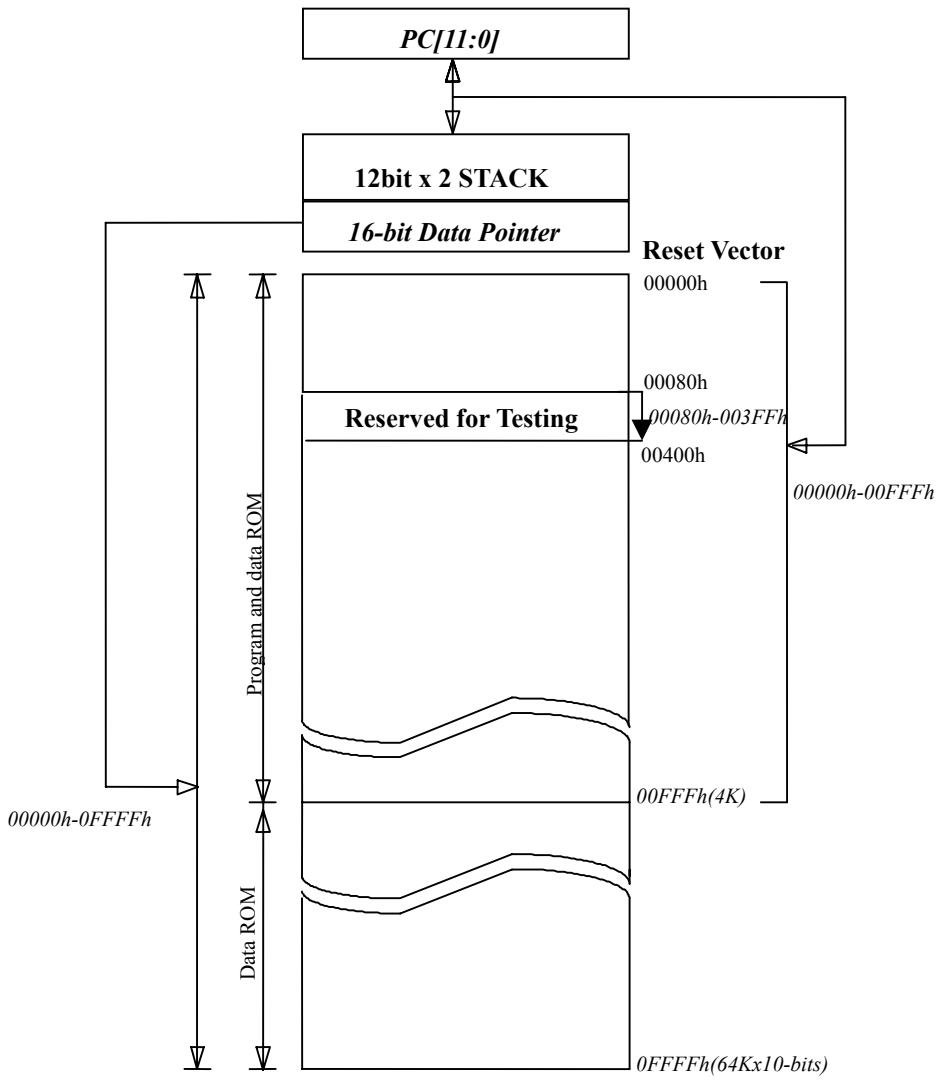


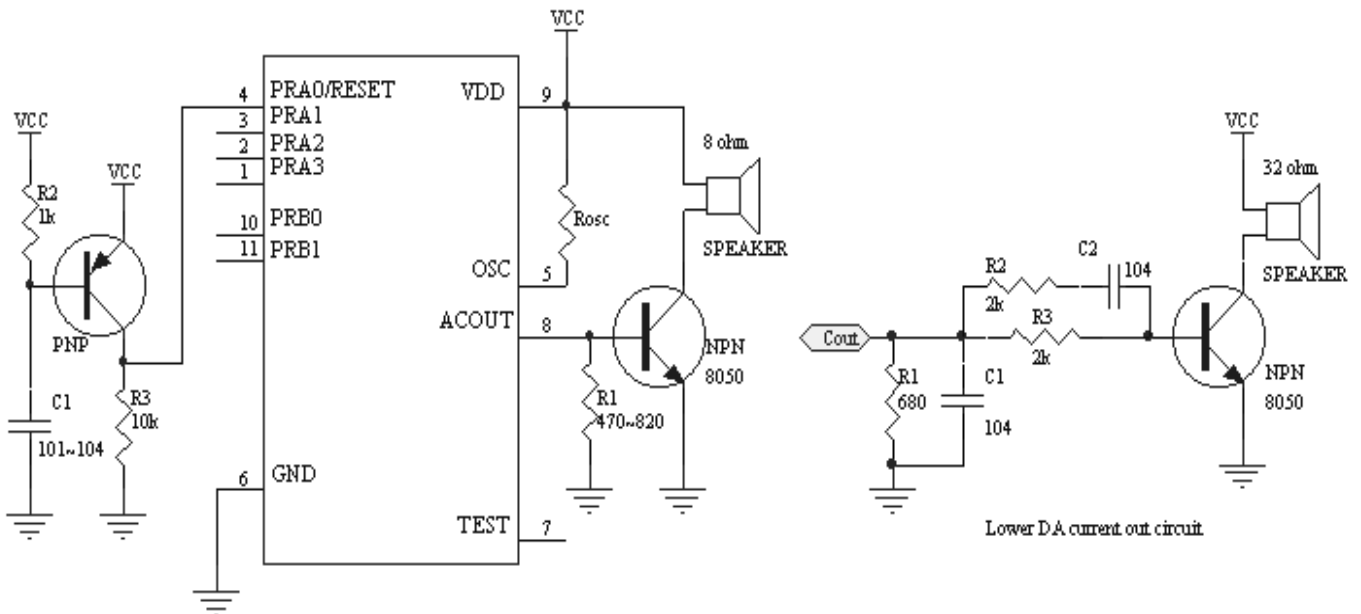
FIGURE 1.2 : External ROM Map of ASM2006C

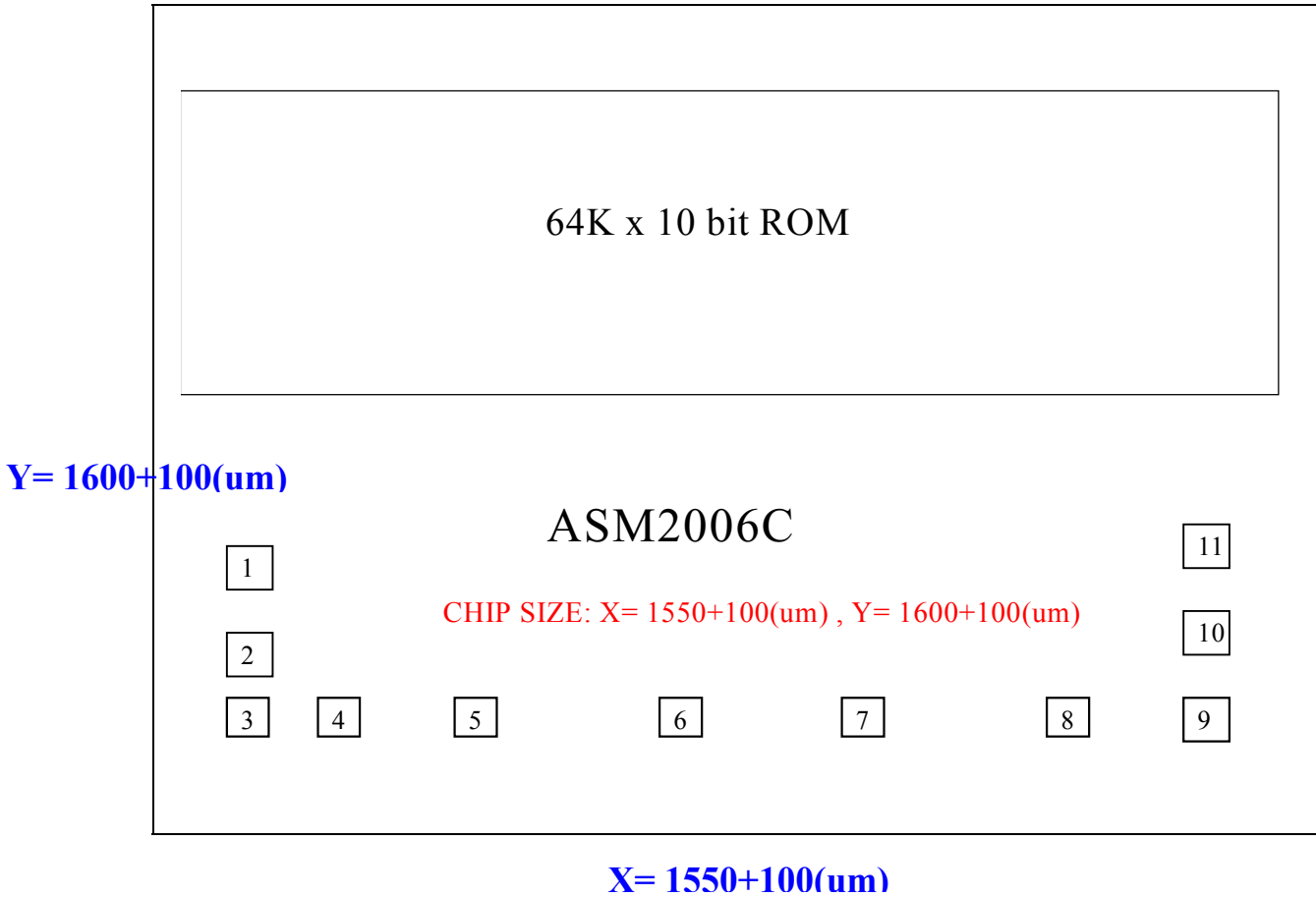


## 1.2 Pin-Out

ASM2006C Pin-Out			
VDD	I	-	Power supply during operation
PRA3-1	I/O	STI Std./O.D.	I/O port with programmable strong pull-low or weak pull-low or fix-input-floating capability Output type with standard or Open-Drain output
PRA0/RESET	I/O	STI Std./O.D.	I/O port with programmable strong pull-low or weak pull-low or fix-input-floating capability Output type with standard or Open-Drain output <i>Mask option selected as an external RESET pin with weak pull-low capability</i>
OSC	I	-	RM mode Oscillator input
COUT	O	-	Current Output of Audio
GND	I	-	Circuit Ground Potential
TEST	O	-	Enter Test Mode. ( TEST = High )
PRB0-1	O	Std./O.D.	Output type with standard or Open-Drain output

## 1.3 Application circuit



**1.4 Bonding Diagram**


ASM2006C Pad Location				Chip Size: X=1550+100 (um), Y=1600+100 (um)			
PAD #	PAD Name	X	Y	PAD #	PAD Name	X	Y
1	RA_PAD[3]	-664.92	-399.92	7	TEST_PAD	105.44	-717.16
2	RA_PAD[2]	-664.92	-528.04	8	ACOUT	303.96	-717.16
3	RA_PAD[1]	-662.64	-717.16	9	VDD	683.04	-717.16
4	RA_PAD[0]	-468.24	-717.16	10	RB_PAD[0]	664.92	-523.6
5	AOSC	-281.04	-717.16	11	RB_PAD[1]	664.92	-405.2
6	GND	-111.72	-717.16				

**1.5 DC Characteristics for ASM2006C**

SYMBOL	PARAMETER		VDD	MIN.	TYP.	MAX.	UNIT	CONDITION
VDD	OPERATING VOLTAGE			2.4	3	5	V	depending on Freq.
Isb	SUPPLY CURRENT	STANDBY	3			1	uA	4MHz, RM in HALT Mode
			5			1		
Iop	T	OPERATING	3		2		mA	4MHz, RM IO Floating
			5		7			
Iih	INPUT CURRENT /Internal pull low		3		3		uA	4MHz, RM in HALT Mode (IO Ports with weak pull-high pull-low)
			5		9			
			5		-5.2			
Ioh	OUTPUT HIGH CURRENT		3		-3		mA	4MHz, RM (IO ports)
			5		-8			
Iol	OUTPUT LOW CURRENT		3		7		mA	4MHz, RM (IO ports)
			5		20			
dF/F	FREQUENCY STABILITY			-10		10	%	$\frac{F_{osc}(3v)-F_{osc}(2.4v)}{F_{osc}(3v)}$
dF/F	Fosc VARIATION			-20		20	%	VDD=3V, <b>Rosc=980k, 4MHz</b>

**FIGURE 1.3 : Frequency Range for Rosc in RM mode**

Resistor(k ohm)	1200	1000	820	470
<b>3v Freq.(MHz)</b>	3.23	3.89	4.55	7.49

