



## EMI Reduction IC

### Features

- FCC approved method of EMI attenuation.
- Provides up to 15dB EMI reduction.
- Generates a 1X low EMI spread spectrum clock of the input frequency.
- Input frequency range: 6MHz to 103MHz.
- Internal loop filter minimizes external components and board space.
- Selectable spread options: Down and Center Spread
- 2 spread frequency deviation selections:
  - -1.25% or  $\pm 0.42\%$
- Low inherent cycle-to-cycle jitter.
- 3.3V operating voltage range.
- Low power CMOS design.
- Supports notebook VGA and other LCD timing controller applications.
- Products are available for industrial temperature range.
- Available in 8-pin SOIC and TSSOP.

### Product Description

The ASM3P2183 is a versatile spread spectrum frequency modulators designed specifically for a wide range of input clock frequencies from 6MHz to 103MHz. (*Refer Input Frequency and Modulation Rate Table*). The ASM3P2183A can generate an EMI reduced clock from an OSC or a system generated clock. The ASM3P2183A offers a Down Spread clock with a percentage deviation of -1.25% and a Center Spread clock with a percentage deviation of  $\pm 0.42\%$ .

The ASM3P2183A reduces electromagnetic interference (EMI) at the clock source, allowing system wide reduction of EMI of down stream clock and data dependent signals. The ASM3P2183A allows significant system cost savings by reducing the number of circuit board layers ferrite beads, shielding and other passive components that are traditionally required to pass EMI regulations.

The ASM3P2183A uses the most efficient and optimized modulation profile approved by the FCC and is implemented in a proprietary all digital method.

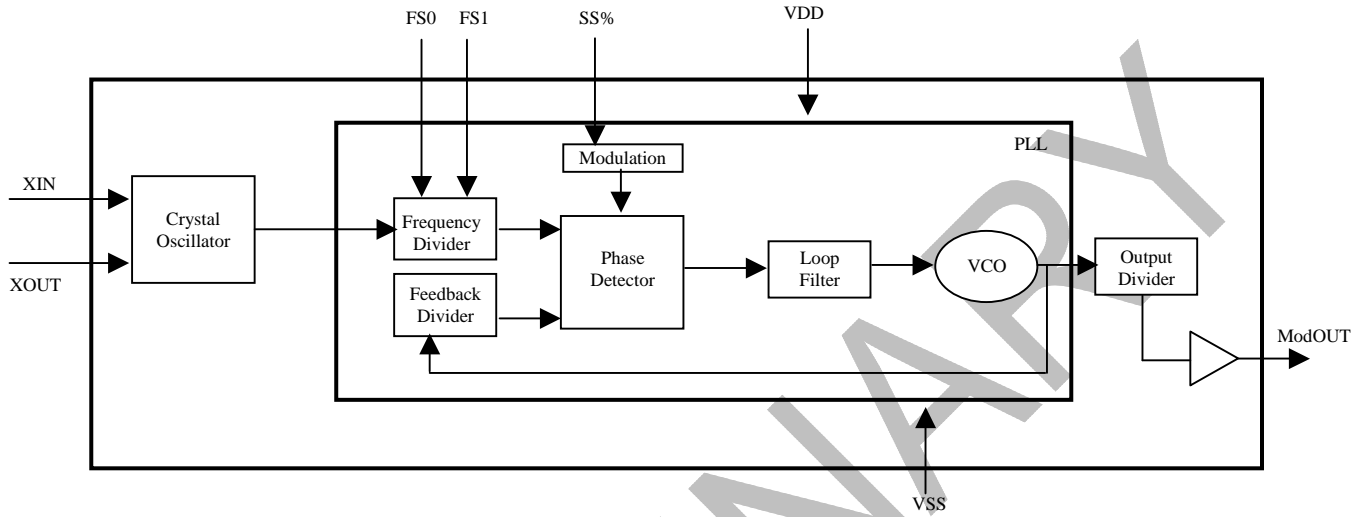
The ASM3P2183A modulates the output of a single PLL in order to “spread” the bandwidth of a synthesized clock, and more importantly, decreases the peak amplitudes of its harmonics. This results in significantly lower system EMI compared to the typical narrow band signal produced by oscillators and most frequency generators. Lowering EMI by increasing a signal’s bandwidth is called ‘spread spectrum clock generation’.

### Applications

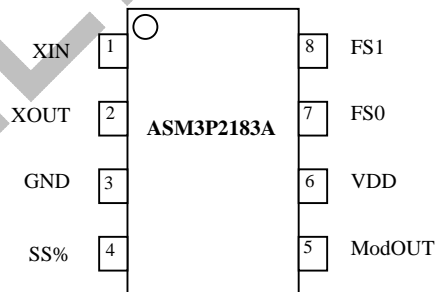
The ASM3P2183A is targeted towards EMI management for memory and LVDS interfaces in mobile graphic chipsets and high-speed digital applications such as PC peripheral devices, consumer electronics, and embedded controller systems.



**Block Diagram**



**Pin Configuration**





rev 1.0

www.DataSheet4U.com

## Pin Description

Pin#	Pin Name	Type	Description
1	XIN	I	Crystal connection or external frequency input. This pin has dual functions. It can be connected to either an external crystal or an external reference clock.
2	XOUT	I	Crystal connection. Input connection for an external crystal. If using an external reference, this pin must be left unconnected.
3	GND	P	Ground to entire chip.
4	SS%	I	Spread range select. Digital logic input used to select frequency deviation (Refer <i>Spread Deviation Selection Table</i> ). This pin has an internal pull-up resistor.
5	ModOUT	O	Spread spectrum low EMI output.
6	VDD	P	Power supply for the entire chip (3.3V).
7	FS0	I	Frequency range select. Digital logic input used to select frequency range (Refer <i>Input Frequency and Modulation Rate Table</i> ). This pin has an internal pull-up resistor.
8	FS1	I	Frequency range select. Digital logic input used to select frequency range (Refer <i>Input Frequency and Modulation Rate Table</i> ). This pin has an internal pull-up resistor.

## Input Frequency and Modulation Rate Table

FS1 (pin 8)	FS0 (pin 7)	Frequency Range
0	0	6 MHz to 13 MHz
0	1	12 MHz to 25 MHz
1	0	25 MHz to 50 MHz
1	1	50 MHz to 103 MHz

## Spread Deviation Selection Table

SS% (pin 4)	Spread Deviation (%)
0	- 1.25
1	± 0.42



rev 1.0

www.DataSheet4U.com

### Absolute Maximum Ratings

Symbol	Parameter	Rating	Unit
$V_{DD}, V_{IN}$	Voltage on any pin with respect to GND	-0.5 to + 7.0	V
$T_{STG}$	Storage temperature	-65 to +125	°C
$T_A$	Operating temperature	0 to 70	°C

Note: These are stress ratings only and functional operation is not implied. Exposure to absolute maximum ratings for extended periods may affect device reliability.

### DC Electrical Characteristics

Symbol	Parameter	Min	Typ	Max	Unit
$V_{IL}$	Input low voltage	GND – 0.3	-	0.8	V
$V_{IH}$	Input high voltage	2.0	-	$V_{DD} + 0.3$	V
$I_{IL}$	Input low current	-	-	-35	μA
$I_{IH}$	Input high current	-	-	35	μA
$I_{XOL}$	XOUT Output low current (@ 0.4V, $V_{DD} = 3.3V$ )	-	TBD	-	mA
$I_{XOH}$	XOUT Output high current (@ 2.5V, $V_{DD} = 3.3V$ )	-	TBD	-	mA
$V_{OL}$	Output low voltage ( $V_{DD} = 3.3V$ , $I_{OL} = 20mA$ )	-	-	0.4	V
$V_{OH}$	Output high voltage ( $V_{DD} = 3.3V$ , $I_{OH} = 20mA$ )	2.5	-	-	V
$I_{CC}$	Dynamic supply current Normal mode (3.3V and 10pF loading)	8.46	12	17.78	mA
$I_{DD}$	Static supply current Standby mode		0.6		mA
$V_{DD}$	Operating voltage	2.7	3.3	3.7	V
$t_{ON}$	Power up time (first locked clock cycle after power up)	-	0.18	-	mS
$Z_{OUT}$	Clock out impedance	-	50	-	Ω



## AC Electrical Characteristics

Symbol	Parameter	Min	Typ	Max	Unit
$f_{IN}$	Input frequency	6	-	103	MHz
ModOUT	Output frequency	6	-	103	MHz
$t_{LH}^*$	Output rise time (measured at 0.8V to 2.0V)	1.2	1.32	1.4	ns
$t_{HL}^*$	Output fall time (measured at 2.0V to 0.8V)	0.8	0.9	1.0	ns
$t_{JC}$	Jitter (cycle to cycle)	-	-	200	ps
$T_D$	Output duty cycle	45	50	55	%
* $t_{LH}$ and $t_{HL}$ are measured into a capacitive load of 15pF					

PRELIMINARY

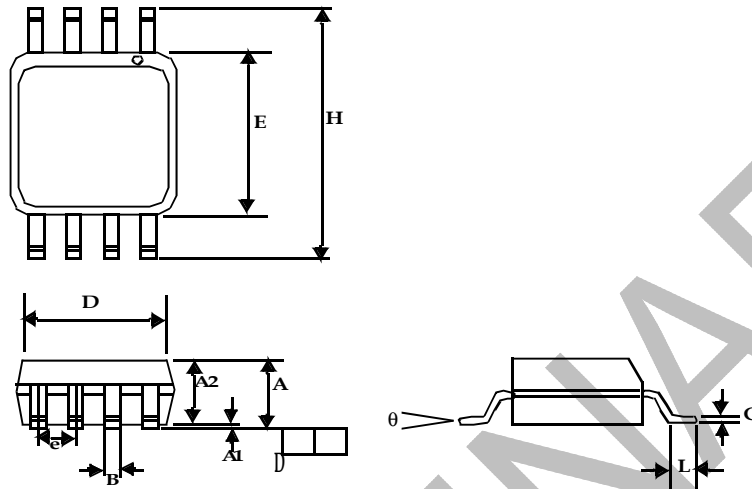


rev 1.0

www.DataSheet4U.com

## Package Information

## 8-Pin SOIC



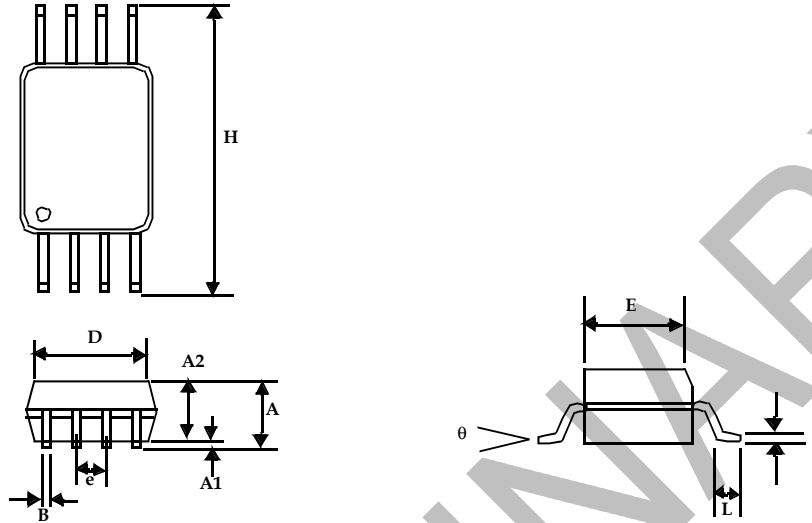
Symbol	Dimensions in inches		Dimensions in millimeters	
	Min	Max	Min	Max
A	0.057	0.071	1.45	1.80
A1	0.004	0.010	0.10	0.25
A2	0.053	0.069	1.35	1.75
B	0.012	0.020	0.31	0.51
C	0.004	0.01	0.10	0.25
D	0.186	0.202	4.72	5.12
E	0.148	0.164	3.75	4.15
e	0.050 BSC		1.27 BSC	
H	0.224	0.248	5.70	6.30
L	0.012	0.028	0.30	0.70
θ	0°	8°	0°	8°



rev 1.0

www.DataSheet4U.com

## 8-Pin TSSOP



Symbol	Dimensions in inches		Dimensions in millimeters	
	Min	Max	Min	Max
A	0.047			1.10
A1	0.002	0.006	0.05	0.15
A2	0.031	0.041	0.80	1.05
B	0.007	0.012	0.19	0.30
C	0.004	0.008	0.09	0.20
D	0.114	0.122	2.90	3.10
E	0.169	0.177	4.30	4.50
e	0.026 BSC		0.65 BSC	
H	0.244	0.260	6.20	6.60
L	0.018	0.030	0.45	0.75
$\theta$	0°	8°	0°	8°



Alliance Semiconductor Corporation  
2595, Augustine Drive,  
Santa Clara, CA 95054  
Tel# 408-855-4900  
Fax: 408-855-4999  
www.alsc.com

Copyright © Alliance Semiconductor  
All Rights Reserved  
Preliminary Information  
Part Number: ASM3P2183A  
Document Version: v1.0

© Copyright 2003 Alliance Semiconductor Corporation. All rights reserved. Our three-point logo, our name and Intelliwatt are trademarks or registered trademarks of Alliance. All other brand and product names may be the trademarks of their respective companies. Alliance reserves the right to make changes to this document and its products at any time without notice. Alliance assumes no responsibility for any errors that may appear in this document. The data contained herein represents Alliance's best data and/or estimates at the time of issuance. Alliance reserves the right to change or correct this data at any time, without notice. If the product described herein is under development, significant changes to these specifications are possible. The information in this product data sheet is intended to be general descriptive information for potential customers and users, and is not intended to operate as, or provide, any guarantee or warranty to any user or customer. Alliance does not assume any responsibility or liability arising out of the application or use of any product described herein, and disclaims any express or implied warranties related to the sale and/or use of Alliance products including liability or warranties related to fitness for a particular purpose, merchantability, or infringement of any intellectual property rights, except as express agreed to in Alliance's Terms and Conditions of Sale (which are available from Alliance). All sales of Alliance products are made exclusively according to Alliance's Terms and Conditions of Sale. The purchase of products from Alliance does not convey a license under any patent rights, copyrights; mask works rights, trademarks, or any other intellectual property rights of Alliance or third parties. Alliance does not authorize its products for use as critical components in life-supporting systems where a malfunction or failure may reasonably be expected to result in significant injury to the user, and the inclusion of Alliance products in such life-supporting systems implies that the manufacturer assumes all risk of such use and agrees to indemnify Alliance against all claims arising from such use.