



Low Power EMI Reduction IC

Features

- FCC approved method of EMI attenuation.
- Provides up to 15dB EMI reduction.
- Generates a 1X, 2X and 4X low EMI spread spectrum clock of the input frequency.
 - 1X: ASM3P2811A/B
 - 2X: ASM3P2812A/B
 - 4X: ASM3P2814A/B
- Optimized for input frequency range from 10MHz to 40 MHz.
 - ASM3P2811A/B: 10 to 40MHz
 - ASM3P2812A/B: 10 to 40MHz
 - ASM3P2814A/B: 10 to 40MHz
- Internal loop filter minimizes external components and board space.
- Selectable spread options: Down Spread and Center Spread.
- 8 spread frequency deviation selections:
 - $\pm 0.625\%$ to -3.5%
- Low inherent cycle-to-cycle jitter.
- 3.3V operating voltage range.
- CMOS/TTL compatible inputs and outputs.
- Pinout compatible with Cypress CY25811, CY25812 and CY25814.
- Products are available for industrial temperature range.
- Available in 8-pin SOIC and TSSOP.

Product Description

The ASM3P28XX devices are versatile spread spectrum frequency modulators designed specifically for a wide range of input clock frequencies from 10MHz to 40MHz. (Refer *Input/Output Frequency Range Selection Table*). The ASM3P28XX can generate an EMI reduced clock from crystal, ceramic resonator, or system clock. The ASM3P28XX-A and the ASM3P28XX-B offer various combinations of spread options and percentage deviations (Refer *Output Frequency Deviation and Spread Option Selection Table*). These combinations include Down and Center Spread and percentage

deviation range from $\pm 0.625\%$ to -3.50% .

The ASM3P28XX reduces electromagnetic interference (EMI) at the clock source, allowing system wide reduction of EMI of down stream clock and data dependent signals. The ASM3P28XX allows significant system cost savings by reducing the number of circuit board layers, ferrite beads, shielding, and other passive components that are traditionally required to pass EMI regulations.

The ASM3P28XX modulates the output of a single PLL in order to “spread” the bandwidth of a synthesized clock, and more importantly, decreases the peak amplitudes of its harmonics. This results in significantly lower system EMI compared to the typical narrow band signal produced by oscillators and most frequency generators. Lowering EMI by increasing a signal’s bandwidth is called ‘spread spectrum clock generation’.

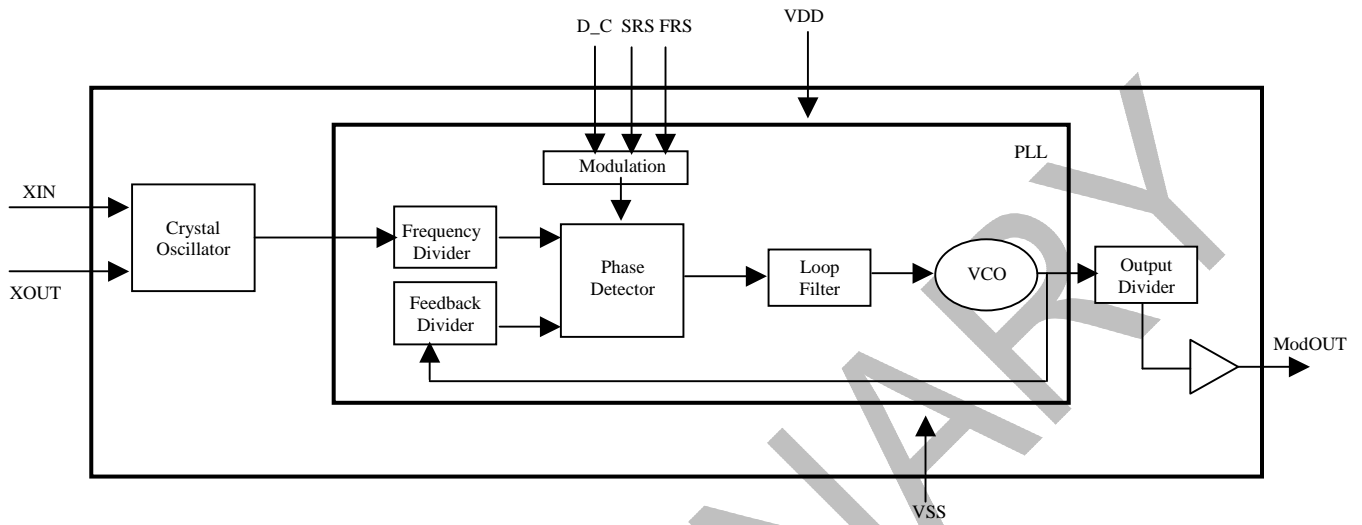
The ASM3P28XX uses the most efficient and optimized modulation profile approved by the FCC and is implemented in a proprietary all-digital method.

Applications

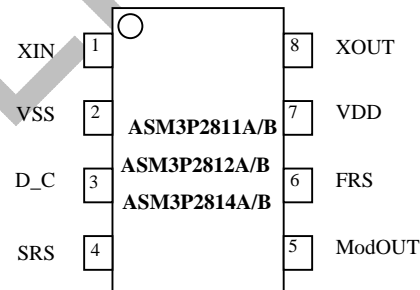
The ASM3P28XX is targeted towards EMI management for memory and LVDS interfaces in mobile graphic chipsets and high-speed digital applications such as PC peripheral devices, consumer electronics, and embedded controller systems.



Block Diagram



Pin Configuration





Pin Description

Pin#	Pin Name	Type	Description
1	XIN	I	Crystal connection or external frequency input. This pin has dual functions. It can be connected to either an external crystal or an external reference clock.
2	VSS	P	Ground to entire chip.
3	D_C	I	Digital logic input used to select Down (LOW) or Center (HIGH) spread options. (Refer <i>Output Frequency Deviation and Spread Option Selection Table</i>). This pin has an internal pull-up resistor.
4	SRS	I	Spread range select. Digital logic input used to select frequency deviation (Refer <i>Output Frequency Deviation and Spread Option Selection Table</i>). This pin has an internal pull-up resistor.
5	ModOUT	O	Spread spectrum clock output (Refer <i>Input/Output Frequency Range Selection Table and Output Frequency Deviation and Spread Option Selection Table</i>).
6	FRS	I	Frequency range select. Digital logic input used to select input frequency range (Refer <i>Input/Output Frequency Deviation and Spread Option Selection Table</i>). This pin has an internal pull-up resistor.
7	VDD	P	Power supply for the entire chip (3.3V).
8	XOUT	I	Crystal connection. Input connection for an external crystal. If using an external reference, this pin must be left unconnected.

Input/Output Frequency Range Selection Table

FRS (pin 6)	Part Number						Modulation Rate
	ASM3P2811 (1X)		ASM3P2812 (2X)		ASM3P2814 (4X)		
	Input (MHz)	Output (MHz)	Input (MHz)	Output (MHz)	Input (MHz)	Output (MHz)	
0	10-20	10-20	10-20	20-40	10-20	40-80	Input Frequency / 448
1	20-40	20-40	20-40	40-80	20-40	80-160	Input Frequency / 896



Output Frequency Deviation and Spread Option Selection Table

Part Number	D_C (pin 3)	SRS (pin 4)	Output frequency deviation and spread option
ASM3P28XXA	0	0	-2.50% (Down)
	0	1	-3.50% (Down)
	1	0	$\pm 1.25\%$ (Center)
	1	1	$\pm 1.75\%$ (Center)
ASM3P28XXB	0	0	-1.25% (Down)
	0	1	-1.75% (Down)
	1	0	$\pm 0.625\%$ (Center)
	1	1	$\pm 0.875\%$ (Center)

Absolute Maximum Ratings

Symbol	Parameter	Rating	Unit
V_{DD}, V_{IN}	Voltage on any pin with respect to GND	-0.5 to + 7.0	V
T_{STG}	Storage temperature	-65 to +125	$^{\circ}\text{C}$
T_A	Operating temperature	0 to 70	$^{\circ}\text{C}$

Note: These are stress ratings only and functional operation is not implied. Exposure to absolute maximum ratings for extended periods may affect device reliability.


DC Electrical Characteristics (3.3V, 25°C)

Symbol	Parameter	Min	Typ	Max	Unit
V _{IL}	Input low voltage	GND – 0.3	-	0.8	V
V _{IH}	Input high voltage	-	-	V _{DD} + 0.3	V
I _{IL}	Input low current (inputs D_C, SRS and FRS)	-60.00	-	-20.00	μA
I _{IH}	Input high current	-	-	1.00	μA
I _{XOL}	XOUT Output low current (@ 0.4V, V _{DD} = 3.3V)	2.00	-	12.00	mA
I _{XOH}	XOUT Output high current (@ 2.5V, V _{DD} = 3.3V)	-	-	12.00	mA
V _{OL}	Output low voltage (V _{DD} = 3.3V, I _{OL} = 20mA)	-	-	0.4	V
V _{OH}	Output high voltage (V _{DD} = 3.3V, I _{OH} = 20mA)	2.8	-	-	V
I _{CC}	Dynamic supply current Normal mode (3.3V and 25pF loading)	7.1 f _{IN} - min	-	13.9 f _{IN} - max	mA
I _{DD}	Static supply current Standby mode	-	4.5	-	mA
V _{DD}	Operating voltage	-	3.3	-	V
t _{ON}	Power up time (first locked clock cycle after power up)	-	0.18	-	mS
Z _{OUT}	Clock out impedance	-	50	-	Ω

AC Electrical Characteristics

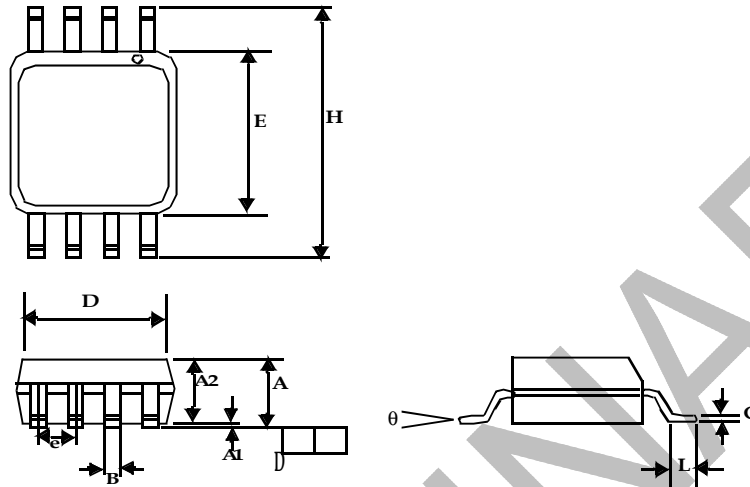
Symbol	Parameter	Min	Typ	Max	Unit
f _{IN}	Input frequency ASM3P2811/12/13/14 A/B	10	-	40	MHz
f _{OUT}	Output frequency for ASM3P211A/B	10	-	40	MHz
	Output frequency for AS3P2812A/B	20	-	80	MHz
	Output frequency for AS3P2814A/B	40	-	160	MHz
t _{LH} *	Output rise time (measured at 0.8V to 2.0V)	-	0.69	-	ns
t _{HL} *	Output fall time (measured at 2.0V to 0.8V)	-	0.66	-	ns
t _{JC}	Jitter (cycle to cycle)	-200	-	200	ps
T _D	Output duty cycle	45	50	55	%

* t_{LH} and t_{HL} are measured into a capacitive load of 15pF



Package Information

8-Pin SOIC

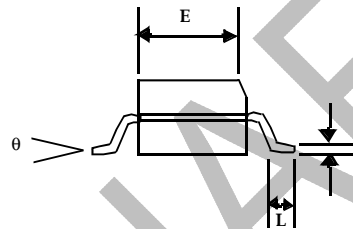
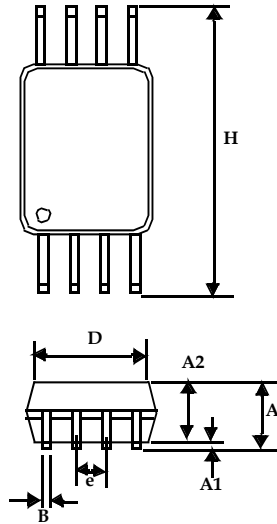


Symbol	Dimensions in inches		Dimensions in millimeters	
	Min	Max	Min	Max
A	0.057	0.071	1.45	1.80
A1	0.004	0.010	0.10	0.25
A2	0.053	0.069	1.35	1.75
B	0.012	0.020	0.31	0.51
C	0.004	0.01	0.10	0.25
D	0.186	0.202	4.72	5.12
E	0.148	0.164	3.75	4.15
E	0.050 BSC		1.27 BSC	
H	0.224	0.248	5.70	6.30
L	0.012	0.028	0.30	0.70
θ	0°	8°	0°	8°

Note: Controlling dimensions are millimeters.
SOIC: 0.074 grams unit weight.



8-Pin TSSOP



Symbol	Dimensions in inches		Dimensions in millimeters	
	Min	Max	Min	Max
A	0.047			1.10
A1	0.002	0.006	0.05	0.15
A2	0.031	0.041	0.80	1.05
B	0.007	0.012	0.19	0.30
C	0.004	0.008	0.09	0.20
D	0.114	0.122	2.90	3.10
E	0.169	0.177	4.30	4.50
E	0.026 BSC		0.65 BSC	
H	0.244	0.260	6.20	6.60
L	0.018	0.030	0.45	0.75
θ	0°	8°	0°	8°

Note: Controlling dimensions are millimeters.
 TSSOP: 0.034 grams unit weight.



Alliance Semiconductor Corporation
2595, Augustine Drive,
Santa Clara, CA 95054
Tel# 408-855-4900
Fax: 408-855-4999
www.alsc.com

Copyright © Alliance Semiconductor
All Rights Reserved
Preliminary Information
Part Numbers: ASM3P2811A/B
ASM3P2812A/B
ASM3P2814A/B
Document Version: v1.0

© Copyright 2003 Alliance Semiconductor Corporation. All rights reserved. Our three-point logo, our name and Intelliwatt are trademarks or registered trademarks of Alliance. All other brand and product names may be the trademarks of their respective companies. Alliance reserves the right to make changes to this document and its products at any time without notice. Alliance assumes no responsibility for any errors that may appear in this document. The data contained herein represents Alliance's best data and/or estimates at the time of issuance. Alliance reserves the right to change or correct this data at any time, without notice. If the product described herein is under development, significant changes to these specifications are possible. The information in this product data sheet is intended to be general descriptive information for potential customers and users, and is not intended to operate as, or provide, any guarantee or warranty to any user or customer. Alliance does not assume any responsibility or liability arising out of the application or use of any product described herein, and disclaims any express or implied warranties related to the sale and/or use of Alliance products including liability or warranties related to fitness for a particular purpose, merchantability, or infringement of any intellectual property rights, except as express agreed to in Alliance's Terms and Conditions of Sale (which are available from Alliance). All sales of Alliance products are made exclusively according to Alliance's Terms and Conditions of Sale. The purchase of products from Alliance does not convey a license under any patent rights, copyrights; mask works rights, trademarks, or any other intellectual property rights of Alliance or third parties. Alliance does not authorize its products for use as critical components in life-supporting systems where a malfunction or failure may reasonably be expected to result in significant injury to the user, and the inclusion of Alliance products in such life-supporting systems implies that the manufacturer assumes all risk of such use and agrees to indemnify Alliance against all claims arising from such use.