



3.3V 'SpreadTrak' Zero Delay Buffer

General Features

- Zero input - output propagation delay, adjustable by capacitive load on FBK input.
- Multiple configurations - Refer "ASM5P23S08A Configurations" Table.
- Input frequency range: 15MHz to 133MHz
- Multiple low-skew outputs.
 - Output-output skew less than 200pS.
 - Device-device skew less than 700pS.
- Two banks of four outputs, three-stateable by two select inputs.
- Less than 200pS Cycle-to-cycle jitter (-1, -1H, -2, -3, -4, -5H).
- Available in 16 pin SOIC and TSSOP Packages.
- 3.3V operation.
- Advanced 0.35 μ CMOS technology.
- Industrial temperature available.
- 'SpreadTrak'.

Functional Description

ASM5P23S08A is a versatile, 3.3V zero-delay buffer designed to distribute high-speed clocks. It is available in a 16 pin package. The part has an on-chip PLL, which locks to an input clock, presented on the REF pin. The PLL feedback is required to be driven to FBK pin, and can be obtained from one of the outputs. The input-to-output propagation delay is guaranteed to be less than 250pS, and the output-to-output skew is guaranteed to be less than 200pS.

The ASM5P23S08A has two banks of four outputs each, which can be controlled by the select inputs as shown in the *Select Input Decoding Table*. The select input also allows the input clock to be directly applied to the outputs for chip and system testing purposes.

Multiple ASM5P23S08A devices can accept the same input clock and distribute it. In this case the skew between the outputs of the two devices is guaranteed to be less than 700pS.

The ASM5P23S08A is available in five different configurations (Refer "ASM5P23S08A Configurations Table"). The ASM5P23S08A-1 is the base part, where the output frequencies equal the reference if there is no counter in the feedback path. The ASM5P23S08A-1H is the high-drive version of the -1 and the rise and fall times on this device are faster.

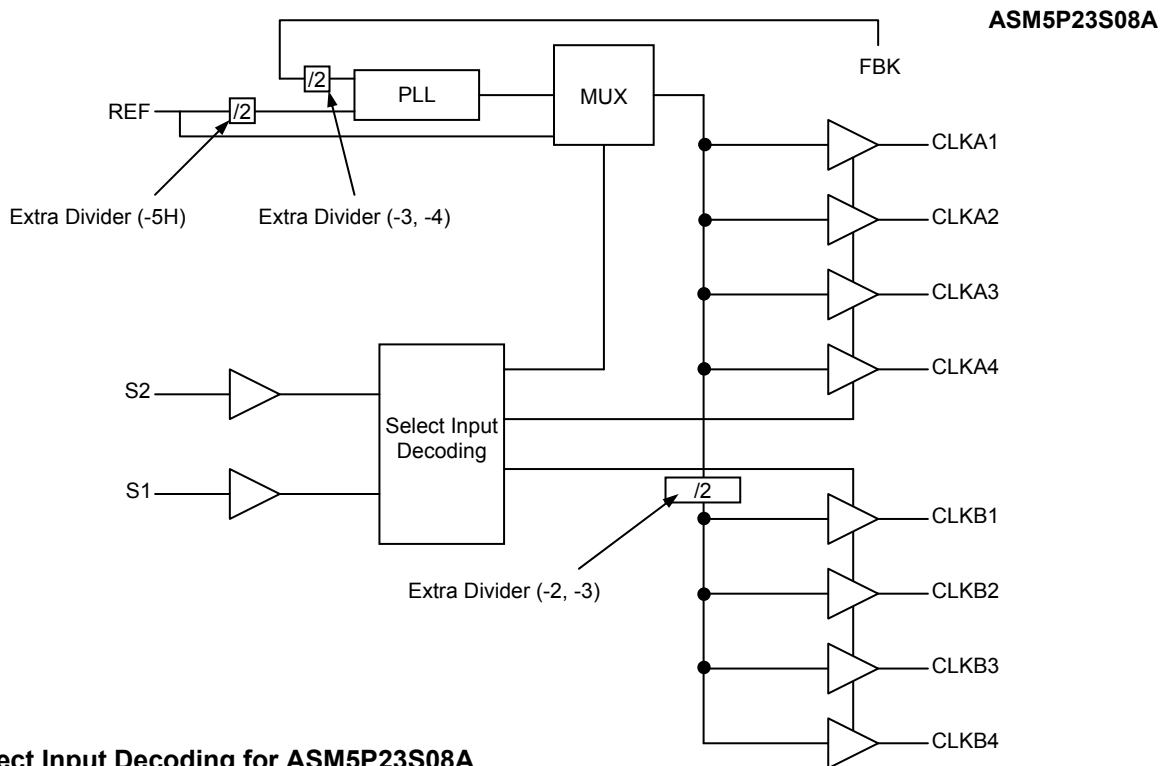
The ASM5P23S08A-2 allows the user to obtain 2X and 1X frequencies on each output bank. The exact configuration and output frequencies depends on which output drives the feedback pin. The ASM5P23S08A-3 allows the user to obtain 4X and 2X frequencies on the outputs.

The ASM5P23S08A-4 enables the user to obtain 2X clocks on all outputs. Thus, the part is extremely versatile, and can be used in a variety of applications.

The ASM5P23S08A-5H is a high-drive version with REF/2 on both banks



Block Diagram



Select Input Decoding for ASM5P23S08A

S2	S1	Clock A1 - A4	Clock B1 - B4	Output Source	PLL Shut-Down
0	0	Three-state	Three-state	PLL	Y
0	1	Driven	Three-state	PLL	N
1	0	Driven ¹	Driven	Reference	Y
1	1	Driven	Driven	PLL	N

ASM5P23S08A Configurations

Device	Feedback From	Bank A Frequency	Bank B Frequency
ASM5P23S08A-1	Bank A or Bank B	Reference	Reference
ASM5P23S08A-1H	Bank A or Bank B	Reference	Reference
ASM5P23S08A-2	Bank A	Reference	Reference /2
ASM5P23S08A-2	Bank B	2 X Reference	Reference
ASM5P23S08A-3	Bank A	2 X Reference	Reference or Reference ²
ASM5P23S08A-3	Bank B	4 X Reference	2 X Reference
ASM5P23S08A-4	Bank A or Bank B	2 X Reference	2 X Reference
ASM5P23S08A-5H	Bank A or Bank B	Reference /2	Reference /2

Note: www.DataSheet4U.com

1. Outputs are non-inverted on ASM5P23S08A-2 and ASM5P23S08A-3 in bypass mode, S2 = 1 and S1 = 0.
2. Output phase is indeterminate (0° or 180° from input clock). If phase integrity is required, use the ASM5P23S08A-2.



rev 1.4

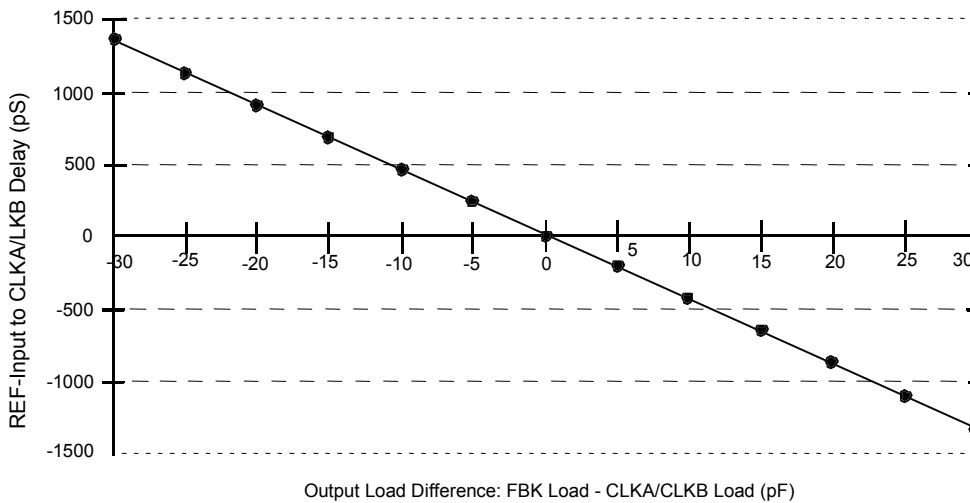
‘SpreadTrak’

Many systems being designed now utilize a technology called Spread Spectrum Frequency Timing Generation. ASM5P23S08A is designed so as not to filter off the Spread Spectrum feature of the Reference input, assuming it exists. When a zero delay buffer is not designed to pass the Spread Spectrum feature through, the result is a

significant amount of tracking skew which may cause problems in the systems requiring synchronization.

Zero Delay and Skew Control

All outputs should be uniformly loaded to achieve Zero Delay between input and output.



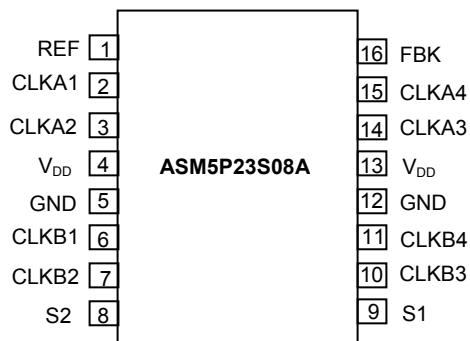
To close the feedback loop of the ASM5P23S08A, the FBK pin can be driven from any of the eight available output pins. The output driving the FBK pin will be driving a total load of 7pF plus any additional load that it drives. The relative loading of this output (with respect to the remaining outputs) can adjust the input output delay. This is shown in the above graph.

For applications requiring zero input-output delay, all outputs including the one providing feedback should be equally loaded. If input-output delay adjustments are required, use the above graph to calculate loading differences between the feedback output and remaining outputs. For zero output-output skew, make sure to load outputs equally.



rev 1.4

Pin Configuration



Pin Description for ASM5P23S08A

Pin #	Pin Name	Description
1	REF ³	Input reference frequency, 5V tolerant input
2	CLKA1 ⁴	Buffered clock output, bank A
3	CLKA2 ⁴	Buffered clock output, bank A
4	V _{DD}	3.3V supply
5	GND	Ground
6	CLKB1 ⁴	Buffered clock output, bank B
7	CLKB2 ⁴	Buffered clock output, bank B
8	S2 ⁵	Select input, bit 2
9	S1 ⁵	Select input, bit 1
10	CLKB3 ⁴	Buffered clock output, bank B
11	CLKB4 ⁴	Buffered clock output, bank B
12	GND	Ground
13	V _{DD}	3.3V supply
14	CLKA3 ⁴	Buffered clock output, bank A
15	CLKA4 ⁴	Buffered clock output, bank A
16	FBK	PLL feedback input

Notes:

3. Weak pull-down.

4. Weak pull-down on all outputs.

5. Weak pull-up on these inputs.



rev 1.4

Absolute Maximum Ratings

Parameter	Min	Max	Unit
Supply Voltage to Ground Potential	-0.5	+7.0	V
DC Input Voltage (Except REF)	-0.5	$V_{DD} + 0.5$	V
DC Input Voltage (REF)	-0.5	7	V
Storage Temperature	-65	+150	°C
Max. Soldering Temperature (10 sec)		260	°C
Junction Temperature		150	°C
Static Discharge Voltage (As per JEDEC STD22- A114-B)		2000	V

Note: These are stress ratings only and functional usage is not implied. Exposure to absolute maximum ratings for prolonged periods can affect device reliability.

Operating Conditions for ASM5P23S08A Commercial Temperature Devices

Parameter	Description	Min	Max	Unit
V_{DD}	Supply Voltage	3.0	3.6	V
T_A	Operating Temperature (Ambient Temperature)	0	70	°C
C_L	Load Capacitance, below 100MHz		30	pF
C_L	Load Capacitance, from 100MHz to 133MHz		15	pF
C_{IN}	Input Capacitance ⁶		7	pF

Note:

6. Applies to both Ref Clock and FBK.



rev 1.4

Electrical Characteristics for ASM5P23S08A Commercial Temperature Devices

Parameter	Description	Test Conditions		Min	Max	Unit
V_{IL}	Input LOW Voltage				0.8	V
V_{IH}	Input HIGH Voltage			2.0		V
I_{IL}	Input LOW Current	$V_{IN} = 0V$			50.0	μA
I_{IH}	Input HIGH Current	$V_{IN} = V_{DD}$			100.0	μA
V_{OL}	Output LOW Voltage ⁷	$I_{OL} = 8\text{ mA} (-1, -2, -3, -4)$ $I_{OH} = 12\text{ mA} (-1H, -5H)$			0.4	V
V_{OH}	Output HIGH Voltage ⁷	$I_{OL} = -8\text{ mA} (-1, -2, -3, -4)$ $I_{OH} = -12\text{ mA} (-1H, -5H)$		2.4		V
I_{DD}	Supply Current ⁸	Unloaded outputs 100MHz REF, Select inputs at V_{DD} or GND	(-2,-3,-4)		49	mA
			(-1H,-5H)		60	
		Unloaded outputs, 66MHz REF	(-1, -2, -3, -4)		34	
		Unloaded outputs, 33MHz REF	(-1, -2, -3, -4)		18	

Note:

7. Parameter is guaranteed by design and characterization. Not 100% tested in production.

8. Supply Currents are measured for PLL-Bypass Mode (S2=1, S1=0)



Switching Characteristics for ASM5P23S08A Commercial Temperature Devices

Parameter	Description	Test Conditions	Min	Typ	Max	Unit
1/t ₁	Output Frequency	30pF load, All devices	15		100	MHz
1/t ₁	Output Frequency	15pF load, -5H devices ⁹	15		133	MHz
1/t ₁	Output Frequency	15pF load, -2, -3, -4 devices	15		133	MHz
	Duty Cycle ⁹ = (t ₂ / t ₁) * 100 (-1, -2, -3, -4, -1H, -5H)	Measured at 1.4V, F _{OUT} = <66.66MHz 30pF load	40.0	50.0	60.0	%
	Duty Cycle ⁹ = (t ₂ / t ₁) * 100 (-1, -2, -3, -4, -1H, -5H)	Measured at 1.4V, F _{OUT} = <50MHz 15pF load	45.0	50.0	55.0	%
t ₃	Output Rise Time ⁹ (-2, -3, -4)	Measured between 0.8V and 2.0V 30pF load			2.20	nS
t ₃	Output Rise Time ⁹ (-2, -3, -4)	Measured between 0.8V and 2.0V 15pF load			1.50	nS
t ₃	Output Rise Time ⁹ (-5H)	Measured between 0.8V and 2.0V 30pF load			1.50	nS
t ₄	Output Fall Time ⁹ (-2, -3, -4)	Measured between 2.0V and 0.8V 30pF load			2.20	nS
t ₄	Output Fall Time ⁹ (-2, -3, -4)	Measured between 0.8V and 2.0V 15pF load			1.50	nS
t ₄	Output Fall Time ⁹ (-5H)	Measured between 2.0V and 0.8V 30pF load			1.25	nS
t ₅	Output-to-output skew on same bank (-2, -3, -4) ⁹	All outputs equally loaded			200	pS
	Output-to-output skew (-5H)	All outputs equally loaded			200	
	Output bank A -to- output bank B skew (-4, -5H)	All outputs equally loaded			200	
	Output bank A -to- output bank B skew (-2, -3)	All outputs equally loaded			400	
t ₆	Delay, REF Rising Edge to FBK Rising Edge ⁹	Measured at V _{DD} /2		0	±250	pS
t ₇	Device-to-Device Skew ⁹	Measured at V _{DD} /2 on the FBK pins of the device		0	700	pS
t _J	Cycle-to-cycle jitter ⁹ (-4, -5H)	Measured at 66.67MHz, loaded outputs, 15pF load			200	pS
		Measured at 66.67MHz, loaded outputs, 30pF load			200	
		Measured at 133MHz, loaded outputs, 15pF load			100	
t _J	Cycle-to-cycle jitter ⁹ (-2, -3)	Measured at 66.67MHz, loaded outputs, 30pF load			400	pS
		Measured at 66.67MHz, loaded outputs, 15pF load			400	
t _{LOCK}	PLL Lock Time ⁹	Stable power supply, valid clock presented on REF & FBK pins			1.0	mS

Note: 9. Parameter is guaranteed by design and characterization. Not 100% tested in production.



rev 1.4

Operating Conditions for ASM5I23S08A Industrial Temperature Devices

Parameter	Description	Min	Max	Unit
V _{DD}	Supply Voltage	3.0	3.6	V
T _A	Operating Temperature (Ambient Temperature)	-40	85	°C
C _L	Load Capacitance, below 100MHz		30	pF
C _L	Load Capacitance, from 100MHz to 133MHz		15	pF
C _{IN}	Input Capacitance		7	pF

Electrical Characteristics for ASM5I23S08A Industrial Temperature Devices

Parameter	Description	Test Conditions	Min	Max	Unit
V _{IL}	Input LOW Voltage			0.8	V
V _{IH}	Input HIGH Voltage		2.0		V
I _{IL}	Input LOW Current	V _{IN} = 0V		50.0	μA
I _{IH}	Input HIGH Current	V _{IN} = V _{DD}		100.0	μA
V _{OL}	Output LOW Voltage	I _{OL} = 8mA (-2) I _{OH} = 12mA (-5H)		0.4	V
V _{OH}	Output HIGH Voltage	I _{OL} = -8mA (-2) I _{OH} = -12mA (-5H)	2.4		V
I _{DD}	Supply Current ¹⁰	Unloaded outputs 100MHz REF, Select inputs at V _{DD} or GND	(-2,-3,-4)	49	mA
			(-1H,-5H)	60	
		Unloaded outputs, 66MHz REF	(-1, -2, -3, -4)	34	
		Unloaded outputs, 33MHz REF	(-1, -2, -3, -4)	18	

Note

10. Supply Currents are measured for PLL-Bypass Mode (S2=1, S1=0)



Switching Characteristics for ASM5I23S08 Industrial Temperature Devices

Parameter	Description	Test Conditions	Min	Typ	Max	Unit
1/t ₁	Output Frequency	30pF load, All devices	15		100	MHz
1/t ₁	Output Frequency	15pF load, -5H devices ⁸	15		133	MHz
1/t ₁	Output Frequency	15pF load, -2, -3, -4 devices	15		133	MHz
	Duty Cycle ¹¹ = (t ₂ / t ₁) * 100 (-2, -3, -4, -1H, -5H)	Measured at 1.4V, F _{OUT} = <66.66MHz 30pF load	40.0	50.0	60.0	%
	Duty Cycle ¹¹ = (t ₂ / t ₁) * 100 (-2, -3, -4, -1H, -5H)	Measured at 1.4V, F _{OUT} = <50MHz 15pF load	45.0	50.0	55.0	%
t ₃	Output Rise Time ¹¹ (-2, -3, -4)	Measured between 0.8V and 2.0V 30pF load			2.50	nS
t ₃	Output Rise Time ¹¹ (-2, -3, -4)	Measured between 0.8V and 2.0V 15pF load			1.50	nS
t ₃	Output Rise Time ¹¹ (-5H)	Measured between 0.8V and 2.0V 30pF load			1.50	nS
t ₄	Output Fall Time ¹¹ (-2, -3, -4)	Measured between 2.0V and 0.8V 30pF load			2.50	nS
t ₄	Output Fall Time ¹¹ (-2, -3, -4)	Measured between 0.8V and 2.0V 15pF load			1.50	nS
t ₄	Output Fall Time ¹¹ (-5H)	Measured between 2.0V and 0.8V 30pF load			1.25	nS
t ₅	Output-to-output skew on same bank (-2, -3, -4) ¹¹	All outputs equally loaded			200	pS
	Output-to-output skew (-5H)	All outputs equally loaded			200	
	Output bank A -to- output bank B skew (-4, -5H)	All outputs equally loaded			200	
	Output bank A -to- output bank B skew (-2, -3)	All outputs equally loaded			400	
t ₆	Delay, REF Rising Edge to FBK Rising Edge ¹¹	Measured at V _{DD} /2		0	±250	pS
t ₇	Device-to-Device Skew ¹¹	Measured at V _{DD} /2 on the FBK pins of the device		0	700	pS
t _J	Cycle-to-cycle jitter ¹¹ (-4, -5H)	Measured at 66.67MHz, loaded outputs, 15 pF load			200	pS
		Measured at 66.67MHz, loaded outputs, 30 pF load			200	
		Measured at 133MHz, loaded outputs, 15 pF load			100	
t _J	Cycle-to-cycle jitter ¹¹ (-2, -3)	Measured at 66.67MHz, loaded outputs, 30pF load			400	pS
		Measured at 66.67MHz, loaded outputs, 15pF load			400	
t _{LOCK}	PLL Lock Time ¹¹	Stable power supply, valid clock presented on REF and FBK pins			1.0	mS

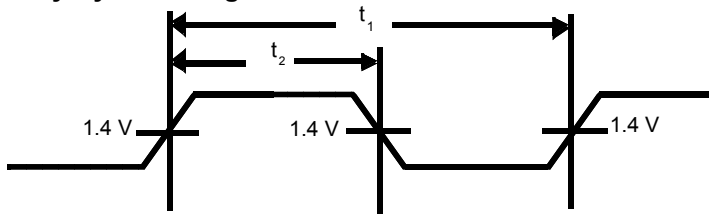
Note: 11. Parameter is guaranteed by design and characterization. Not 100% tested in production.



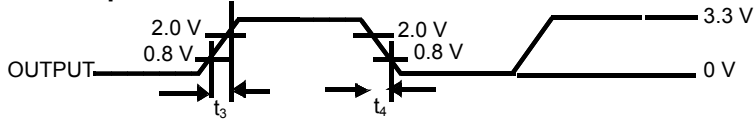
rev 1.4

Switching Waveforms

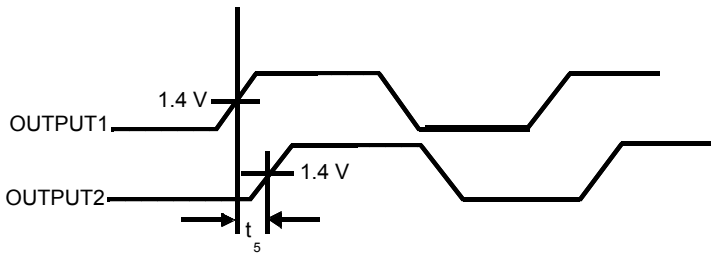
Duty Cycle Timing



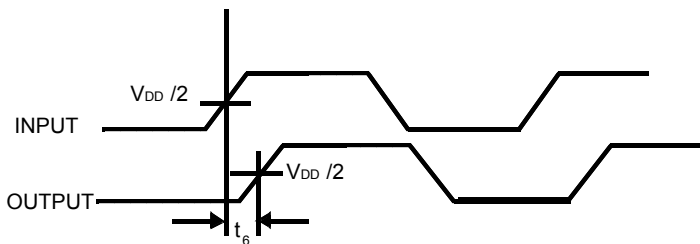
All Outputs Rise/Fall Time



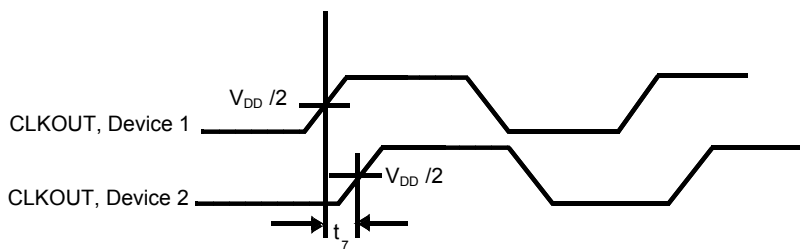
Output - Output Skew



Input - Output Propagation Delay



Device - Device Skew

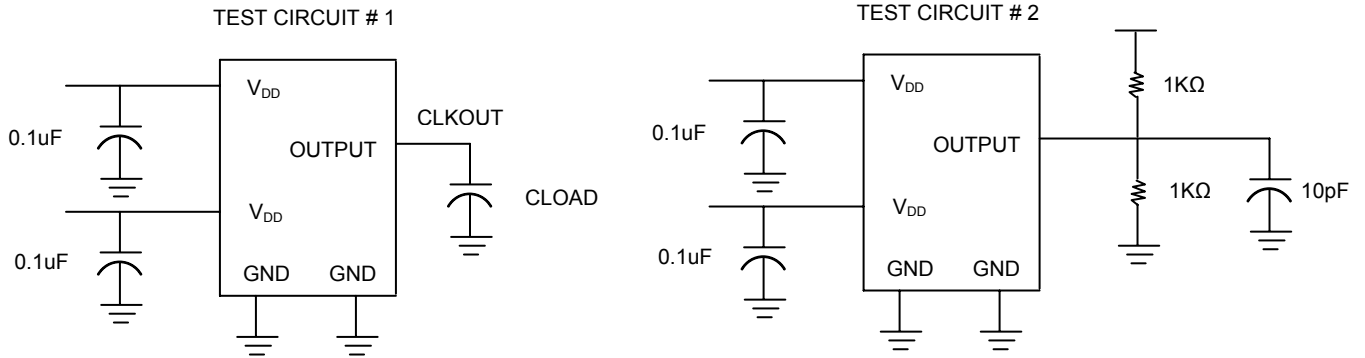


www.DataSheet4U.com



rev 1.4

Test Circuits



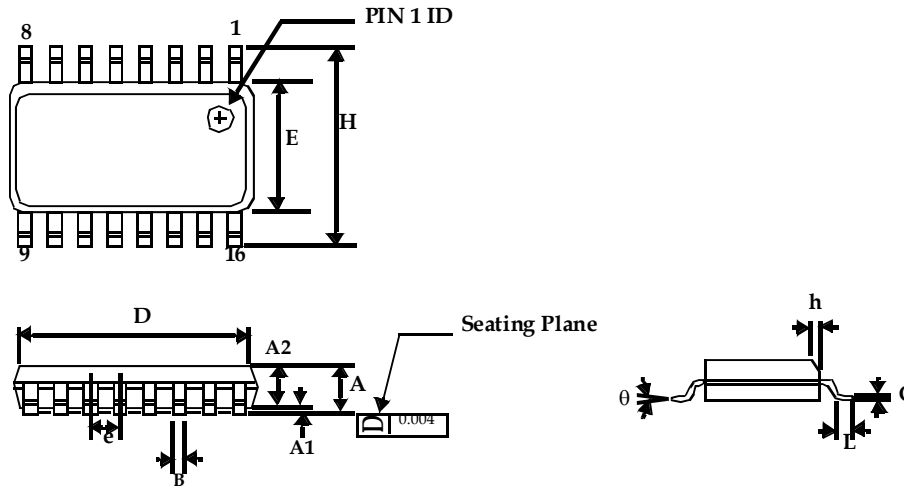
For parameter t_s (output skew rate) on -1H devices



rev 1.4

Package Information

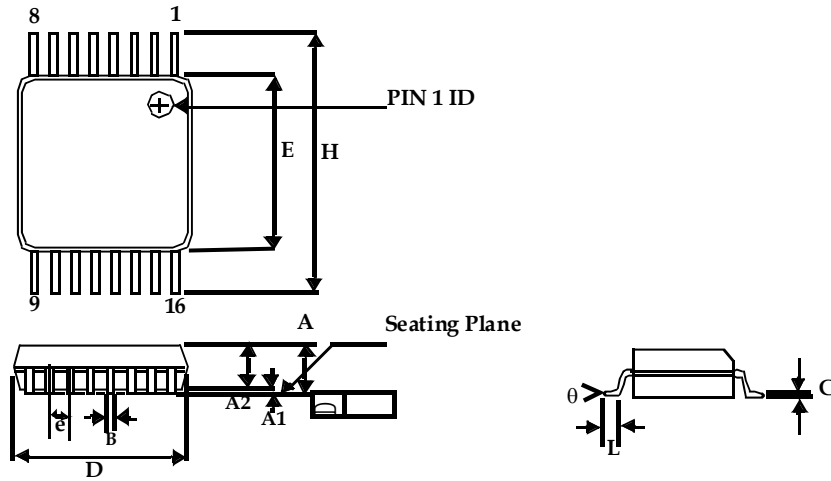
16-lead (150 Mil) Molded SOIC Package



Symbol	Dimensions			
	Inches		Millimeters	
	Min	Max	Min	Max
A	0.053	0.069	1.35	1.75
A1	0.004	0.010	0.10	0.25
A2	0.049	0.059	1.25	1.50
B	0.013	0.022	0.33	0.53
C	0.008	0.012	0.19	0.27
D	0.386	0.394	9.80	10.01
E	0.150	0.157	3.80	4.00
e	0.050 BSC		1.27 BSC	
H	0.228	0.244	5.80	6.20
h	0.010	0.016	0.25	0.41
L	0.016	0.035	0.40	0.89
θ	0°	8°	0°	8°



16-lead Thin Shrunken Small Outline Package (4.40-MM Body)



Symbol	Dimensions			
	Inches		Millimeters	
	Min	Max	Min	Max
A		0.043		1.20
A1	0.002	0.006	0.05	0.15
A2	0.031	0.041	0.80	1.05
B	0.007	0.012	0.19	0.30
C	0.004	0.008	0.09	0.20
D	0.193	0.201	4.90	5.10
E	0.169	0.177	4.30	4.50
e	0.026 BSC		0.65 BSC	
H	0.252 BSC		6.40 BSC	
L	0.020	0.030	0.50	0.75
θ	0°	8°	0°	8°



rev 1.4

Ordering Codes

Ordering Code	Marking	Package Type	Operating Range
ASM5P23S08A-1-16-ST	5P23S08A-1	16-pin 150-mil SOIC-TUBE	Commercial
ASM5I23S08A-1-16-ST	5I23S08A-1	16-pin 150-mil SOIC- TUBE	Industrial
ASM5P23S08A-1-16-SR	5P23S08A-1	16-pin 150-mil SOIC-TAPE & REEL	Commercial
ASM5I23S08A-1-16-SR	5I23S08A-1	16-pin 150-mil SOIC-TAPE & REEL	Industrial
ASM5P23S08A-1-16-TT	5P23S08A-1	16-pin 4.4-mm TSSOP - TUBE	Commercial
ASM5I23S08A-1-16-TT	5I23S08A-1	16-pin 4.4-mm TSSOP - TUBE	Industrial
ASM5P23S08A-1-16-TR	5P23S08A-1	16-pin 4.4-mm TSSOP - TAPE & REEL	Commercial
ASM5I23S08A-1-16-TR	5I23S08A-1	16-pin 4.4-mm TSSOP - TAPE & REEL	Industrial
ASM5P23S08A-1H-16-ST	5P23S08A-1H	16-pin 150-mil SOIC-TUBE	Commercial
ASM5I23S08A-1H-16-ST	5I23S08A-1H	16-pin 150-mil SOIC- TUBE	Industrial
ASM5P23S08A-1H-16-SR	5P23S08A-1H	16-pin 150-mil SOIC-TAPE & REEL	Commercial
ASM5I23S08A-1H-16-SR	5I23S08A-1H	16-pin 150-mil SOIC-TAPE & REEL	Industrial
ASM5P23S08A-1H-16-TT	5P23S08A-1H	16-pin 4.4-mm TSSOP - TUBE	Commercial
ASM5I23S08A-1H-16-TT	5I23S08A-1H	16-pin 4.4-mm TSSOP - TUBE	Industrial
ASM5P23S08A-1H-16-TR	5P23S08A-1H	16-pin 4.4-mm TSSOP - TAPE & REEL	Commercial
ASM5I23S08A-1H-16-TR	5I23S08A-1H	16-pin 4.4-mm TSSOP - TAPE & REEL	Industrial
ASM5P23S08A-2-16-ST	5P23S08A-2	16-pin 150-mil SOIC-TUBE	Commercial
ASM5I23S08A-2-16-ST	5I23S08A-2	16-pin 150-mil SOIC- TUBE	Industrial
ASM5P23S08A-2-16-SR	5P23S08A-2	16-pin 150-mil SOIC-TAPE & REEL	Commercial
ASM5I23S08A-2-16-SR	5I23S08A-2	16-pin 150-mil SOIC-TAPE & REEL	Industrial
ASM5P23S08A-2-16-TT	5P23S08A-2	16-pin 4.4-mm TSSOP - TUBE	Commercial
ASM5I23S08A-2-16-TT	5I23S08A-2	16-pin 4.4-mm TSSOP - TUBE	Industrial
ASM5P23S08A-2-16-TR	5P23S08A-2	16-pin 4.4-mm TSSOP - TAPE & REEL	Commercial
ASM5I23S08A-2-16-TR	5I23S08A-2	16-pin 4.4-mm TSSOP - TAPE & REEL	Industrial
ASM5P23S08A-3-16-ST	5P23S08A-3	16-pin 150-mil SOIC-TUBE	Commercial
ASM5I23S08A-3-16-ST	5I23S08A-3	16-pin 150-mil SOIC- TUBE	Industrial
ASM5P23S08A-3-16-SR	5P23S08A-3	16-pin 150-mil SOIC-TAPE & REEL	Commercial
ASM5I23S08A-3-16-SR	5I23S08A-3	16-pin 150-mil SOIC-TAPE & REEL	Industrial
ASM5P23S08A-3-16-TT	5P23S08A-3	16-pin 4.4-mm TSSOP - TUBE	Commercial
ASM5I23S08A-3-16-TT	5I23S08A-3	16-pin 4.4-mm TSSOP - TUBE	Industrial
ASM5P23S08A-3-16-TR	5P23S08A-3	16-pin 4.4-mm TSSOP - TAPE & REEL	Commercial
ASM5I23S08A-3-16-TR	5I23S08A-3	16-pin 4.4-mm TSSOP - TAPE & REEL	Industrial
ASM5P23S08A-4-16-ST	5P23S08A-4	16-pin 150-mil SOIC-TUBE	Commercial
ASM5I23S08A-4-16-ST	5I23S08A-4	16-pin 150-mil SOIC- TUBE	Industrial
ASM5P23S08A-4-16-SR	5P23S08A-4	16-pin 150-mil SOIC-TAPE & REEL	Commercial
ASM5I23S08A-4-16-SR	5I23S08A-4	16-pin 150-mil SOIC-TAPE & REEL	Industrial
ASM5P23S08A-4-16-TT	5P23S08A-4	16-pin 4.4-mm TSSOP - TUBE	Commercial
ASM5I23S08A-4-16-TT	5I23S08A-4	16-pin 4.4-mm TSSOP - TUBE	Industrial
ASM5P23S08A-4-16-TR	5P23S08A-4	16-pin 4.4-mm TSSOP - TAPE & REEL	Commercial
ASM5I23S08A-4-16-TR	5I23S08A-4	16-pin 4.4-mm TSSOP - TAPE & REEL	Industrial
ASM5P23S08A-5H-16-ST	5P23S08A-5H	16-pin 150-mil SOIC-TUBE	Commercial
ASM5I23S08A-5H-16-ST	5I23S08A-5H	16-pin 150-mil SOIC- TUBE	Industrial
ASM5P23S08A-5H-16-SR	5P23S08A-5H	16-pin 150-mil SOIC-TAPE & REEL	Commercial
ASM5I23S08A-5H-16-SR	5I23S08A-5H	16-pin 150-mil SOIC-TAPE & REEL	Industrial
ASM5P23S08A-5H-16-TT	5P23S08A-5H	16-pin 4.4-mm TSSOP - TUBE	Commercial
ASM5I23S08A-5H-16-TT	5I23S08A-5H	16-pin 4.4-mm TSSOP - TUBE	Industrial



rev 1.4

Ordering Codes (Contd...)

Ordering Code	Marking	Package Type	Operating Range
ASM5P23S08A-5H-16-TR	5P23S08A-5H	16-pin 4.4-mm TSSOP - TAPE & REEL	Commercial
ASM5I23S08A-5H-16-TR	5I23S08A-5H	16-pin 4.4-mm TSSOP - TAPE & REEL	Industrial
ASM5P23S08AF-1-16-ST	5P23S08AF-1	16-pin 150-mil SOIC-TUBE, Pb free	Commercial
ASM5I23S08AF-1-16-ST	5I23S08AF-1	16-pin 150-mil SOIC- TUBE, Pb free	Industrial
ASM5P23S08AF-1-16-SR	5P23S08AF-1	16-pin 150-mil SOIC-TAPE & REEL, Pb free	Commercial
ASM5I23S08AF-1-16-SR	5I23S08AF-1	16-pin 150-mil SOIC-TAPE & REEL, Pb free	Industrial
ASM5P23S08AF-1-16-TT	5P23S08AF-1	16-pin 4.4-mm TSSOP - TUBE, Pb free	Commercial
ASM5I23S08AF-1-16-TT	5I23S08AF-1	16-pin 4.4-mm TSSOP - TUBE, Pb free	Industrial
ASM5P23S08AF-1-16-TR	5P23S08AF-1	16-pin 4.4-mm TSSOP - TAPE & REEL, Pb free	Commercial
ASM5I23S08AF-1-16-TR	5I23S08AF-1	16-pin 4.4-mm TSSOP - TAPE & REEL, Pb free	Industrial
ASM5P23S08AF-1H-16-ST	5P23S08AF-1H	16-pin 150-mil SOIC-TUBE, Pb free	Commercial
ASM5I23S08AF-1H-16-ST	5I23S08AF-1H	16-pin 150-mil SOIC- TUBE, Pb free	Industrial
ASM5P23S08AF-1H-16-SR	5P23S08AF-1H	16-pin 150-mil SOIC-TAPE & REEL, Pb free	Commercial
ASM5I23S08AF-1H-16-SR	5I23S08AF-1H	16-pin 150-mil SOIC-TAPE & REEL, Pb free	Industrial
ASM5P23S08AF-1H-16-TT	5P23S08AF-1H	16-pin 4.4-mm TSSOP - TUBE, Pb free	Commercial
ASM5I23S08AF-1H-16-TT	5I23S08AF-1H	16-pin 4.4-mm TSSOP - TUBE, Pb free	Industrial
ASM5P23S08AF-1H-16-TR	5P23S08AF-1H	16-pin 4.4-mm TSSOP - TAPE & REEL, Pb free	Commercial
ASM5I23S08AF-1H-16-TR	5I23S08AF-1H	16-pin 4.4-mm TSSOP - TAPE & REEL, Pb free	Industrial
ASM5P23S08AF-2-16-ST	5P23S08AF-2	16-pin 150-mil SOIC-TUBE, Pb free	Commercial
ASM5I23S08AF-2-16-ST	5I23S08AF-2	16-pin 150-mil SOIC- TUBE, Pb free	Industrial
ASM5P23S08AF-2-16-SR	5P23S08AF-2	16-pin 150-mil SOIC-TAPE & REEL, Pb free	Commercial
ASM5I23S08AF-2-16-SR	5I23S08AF-2	16-pin 150-mil SOIC-TAPE & REEL, Pb free	Industrial
ASM5P23S08AF-2-16-TT	5P23S08AF-2	16-pin 4.4-mm TSSOP - TUBE, Pb free	Commercial
ASM5I23S08AF-2-16-TT	5I23S08AF-2	16-pin 4.4-mm TSSOP - TUBE, Pb free	Industrial
ASM5P23S08AF-2-16-TR	5P23S08AF-2	16-pin 4.4-mm TSSOP - TAPE & REEL, Pb free	Commercial
ASM5I23S08AF-2-16-TR	5I23S08AF-2	16-pin 4.4-mm TSSOP - TAPE & REEL, Pb free	Industrial
ASM5P23S08AF-3-16-ST	5P23S08AF-3	16-pin 150-mil SOIC-TUBE, Pb free	Commercial
ASM5I23S08AF-3-16-ST	5I23S08AF-3	16-pin 150-mil SOIC- TUBE, Pb free	Industrial
ASM5P23S08AF-3-16-SR	5P23S08AF-3	16-pin 150-mil SOIC-TAPE & REEL, Pb free	Commercial
ASM5I23S08AF-3-16-SR	5I23S08AF-3	16-pin 150-mil SOIC-TAPE & REEL, Pb free	Industrial
ASM5P23S08AF-3-16-TT	5P23S08AF-3	16-pin 4.4-mm TSSOP - TUBE, Pb free	Commercial
ASM5I23S08AF-3-16-TT	5I23S08AF-3	16-pin 4.4-mm TSSOP - TUBE, Pb free	Industrial
ASM5P23S08AF-3-16-TR	5P23S08AF-3	16-pin 4.4-mm TSSOP - TAPE & REEL, Pb free	Commercial
ASM5I23S08AF-3-16-TR	5I23S08AF-3	16-pin 4.4-mm TSSOP - TAPE & REEL, Pb free	Industrial
ASM5P23S08AF-4-16-ST	5P23S08AF-4	16-pin 150-mil SOIC-TUBE, Pb free	Commercial
ASM5I23S08AF-4-16-ST	5I23S08AF-4	16-pin 150-mil SOIC- TUBE, Pb free	Industrial
ASM5P23S08AF-4-16-SR	5P23S08AF-4	16-pin 150-mil SOIC-TAPE & REEL, Pb free	Commercial
ASM5I23S08AF-4-16-SR	5I23S08AF-4	16-pin 150-mil SOIC-TAPE & REEL, Pb free	Industrial
ASM5P23S08AF-4-16-TT	5P23S08AF-4	16-pin 4.4-mm TSSOP - TUBE, Pb free	Commercial
ASM5I23S08AF-4-16-TT	5I23S08AF-4	16-pin 4.4-mm TSSOP - TUBE, Pb free	Industrial
ASM5P23S08AF-4-16-TR	5P23S08AF-4	16-pin 4.4-mm TSSOP - TAPE & REEL, Pb free	Commercial
ASM5I23S08AF-4-16-TR	5I23S08AF-4	16-pin 4.4-mm TSSOP - TAPE & REEL, Pb free	Industrial
ASM5P23S08AF-5H-16-ST	5P23S08AF-5H	16-pin 150-mil SOIC-TUBE, Pb free	Commercial
ASM5I23S08AF-5H-16-ST	5I23S08AF-5H	16-pin 150-mil SOIC- TUBE, Pb free	Industrial
ASM5P23S08AF-5H-16-SR	5P23S08AF-5H	16-pin 150-mil SOIC-TAPE & REEL, Pb free	Commercial



rev 1.4

Ordering Codes (Contd...)

Ordering Code	Marking	Package Type	Operating Range
ASM5I23S08AF-5H-16-SR	5I23S08AF-5H	16-pin 150-mil SOIC-TAPE & REEL, Pb free	Industrial
ASM5P23S08AF-5H-16-TT	5P23S08AF-5H	16-pin 4.4-mm TSSOP - TUBE, Pb free	Commercial
ASM5I23S08AF-5H-16-TT	5I23S08AF-5H	16-pin 4.4-mm TSSOP - TUBE, Pb free	Industrial
ASM5P23S08AF-5H-16-TR	5P23S08AF-5H	16-pin 4.4-mm TSSOP - TAPE & REEL, Pb free	Commercial
ASM5I23S08AF-5H-16-TR	5I23S08AF-5H	16-pin 4.4-mm TSSOP - TAPE & REEL, Pb free	Industrial
ASM5P23S08AG-1-16-ST	5P23S08AG-1	16-pin 150-mil SOIC-TUBE, Green	Commercial
ASM5I23S08AG-1-16-ST	5I23S08AG-1	16-pin 150-mil SOIC- TUBE, Green	Industrial
ASM5P23S08AG-1-16-SR	5P23S08AG-1	16-pin 150-mil SOIC-TAPE & REEL, Green	Commercial
ASM5I23S08AG-1-16-SR	5I23S08AG-1	16-pin 150-mil SOIC-TAPE & REEL, Green	Industrial
ASM5P23S08AG-1-16-TT	5P23S08AG-1	16-pin 4.4-mm TSSOP - TUBE, Green	Commercial
ASM5I23S08AG-1-16-TT	5I23S08AG-1	16-pin 4.4-mm TSSOP - TUBE, Green	Industrial
ASM5P23S08AG-1-16-TR	5P23S08AG-1	16-pin 4.4-mm TSSOP - TAPE & REEL, Green	Commercial
ASM5I23S08AG-1-16-TR	5I23S08AG-1	16-pin 4.4-mm TSSOP - TAPE & REEL, Green	Industrial
ASM5P23S08AG-1H-16-ST	5P23S08AG-1H	16-pin 150-mil SOIC-TUBE, Green	Commercial
ASM5I23S08AG-1H-16-ST	5I23S08AG-1H	16-pin 150-mil SOIC- TUBE, Green	Industrial
ASM5P23S08AG-1H-16-SR	5P23S08AG-1H	16-pin 150-mil SOIC-TAPE & REEL, Green	Commercial
ASM5I23S08AG-1H-16-SR	5I23S08AG-1H	16-pin 150-mil SOIC-TAPE & REEL, Green	Industrial
ASM5P23S08AG-1H-16-TT	5P23S08AG-1H	16-pin 4.4-mm TSSOP - TUBE, Green	Commercial
ASM5I23S08AG-1H-16-TT	5I23S08AG-1H	16-pin 4.4-mm TSSOP - TUBE, Green	Industrial
ASM5P23S08AG-1H-16-TR	5P23S08AG-1H	16-pin 4.4-mm TSSOP - TAPE & REEL, Green	Commercial
ASM5I23S08AG-1H-16-TR	5I23S08AG-1H	16-pin 4.4-mm TSSOP - TAPE & REEL, Green	Industrial
ASM5P23S08AG-2-16-ST	5P23S08AG-2	16-pin 150-mil SOIC-TUBE, Green	Commercial
ASM5I23S08AG-2-16-ST	5I23S08AG-2	16-pin 150-mil SOIC- TUBE, Green	Industrial
ASM5P23S08AG-2-16-SR	5P23S08AG-2	16-pin 150-mil SOIC-TAPE & REEL, Green	Commercial
ASM5I23S08AG-2-16-SR	5I23S08AG-2	16-pin 150-mil SOIC-TAPE & REEL, Green	Industrial
ASM5P23S08AG-2-16-TT	5P23S08AG-2	16-pin 4.4-mm TSSOP - TUBE, Green	Commercial
ASM5I23S08AG-2-16-TT	5I23S08AG-2	16-pin 4.4-mm TSSOP - TUBE, Green	Industrial
ASM5P23S08AG-2-16-TR	5P23S08AG-2	16-pin 4.4-mm TSSOP - TAPE & REEL, Green	Commercial
ASM5I23S08AG-2-16-TR	5I23S08AG-2	16-pin 4.4-mm TSSOP - TAPE & REEL, Green	Industrial
ASM5P23S08AG-3-16-ST	5P23S08AG-3	16-pin 150-mil SOIC-TUBE, Green	Commercial
ASM5I23S08AG-3-16-ST	5I23S08AG-3	16-pin 150-mil SOIC- TUBE, Green	Industrial
ASM5P23S08AG-3-16-SR	5P23S08AG-3	16-pin 150-mil SOIC-TAPE & REEL, Green	Commercial
ASM5I23S08AG-3-16-SR	5I23S08AG-3	16-pin 150-mil SOIC-TAPE & REEL, Green	Industrial
ASM5P23S08AG-3-16-TT	5P23S08AG-3	16-pin 4.4-mm TSSOP - TUBE, Green	Commercial
ASM5I23S08AG-3-16-TT	5I23S08AG-3	16-pin 4.4-mm TSSOP - TUBE, Green	Industrial
ASM5P23S08AG-3-16-TR	5P23S08AG-3	16-pin 4.4-mm TSSOP - TAPE & REEL, Green	Commercial
ASM5I23S08AG-3-16-TR	5I23S08AG-3	16-pin 4.4-mm TSSOP - TAPE & REEL, Green	Industrial
ASM5P23S08AG-4-16-ST	5P23S08AG-4	16-pin 150-mil SOIC-TUBE, Green	Commercial
ASM5I23S08AG-4-16-ST	5I23S08AG-4	16-pin 150-mil SOIC- TUBE, Green	Industrial
ASM5P23S08AG-4-16-SR	5P23S08AG-4	16-pin 150-mil SOIC-TAPE & REEL, Green	Commercial
ASM5I23S08AG-4-16-SR	5I23S08AG-4	16-pin 150-mil SOIC-TAPE & REEL, Green	Industrial
ASM5P23S08AG-4-16-TT	5P23S08AG-4	16-pin 4.4-mm TSSOP - TUBE, Green	Commercial
ASM5I23S08AG-4-16-TT	5I23S08AG-4	16-pin 4.4-mm TSSOP - TUBE, Green	Industrial
ASM5P23S08AG-4-16-TR	5P23S08AG-4	16-pin 4.4-mm TSSOP - TAPE & REEL, Green	Commercial
ASM5I23S08AG-4-16-TR	5I23S08AG-4	16-pin 4.4-mm TSSOP - TAPE & REEL, Green	Industrial
ASM5P23S08AG-5H-16-ST	5P23S08AG-5H	16-pin 150-mil SOIC-TUBE, Green	Commercial

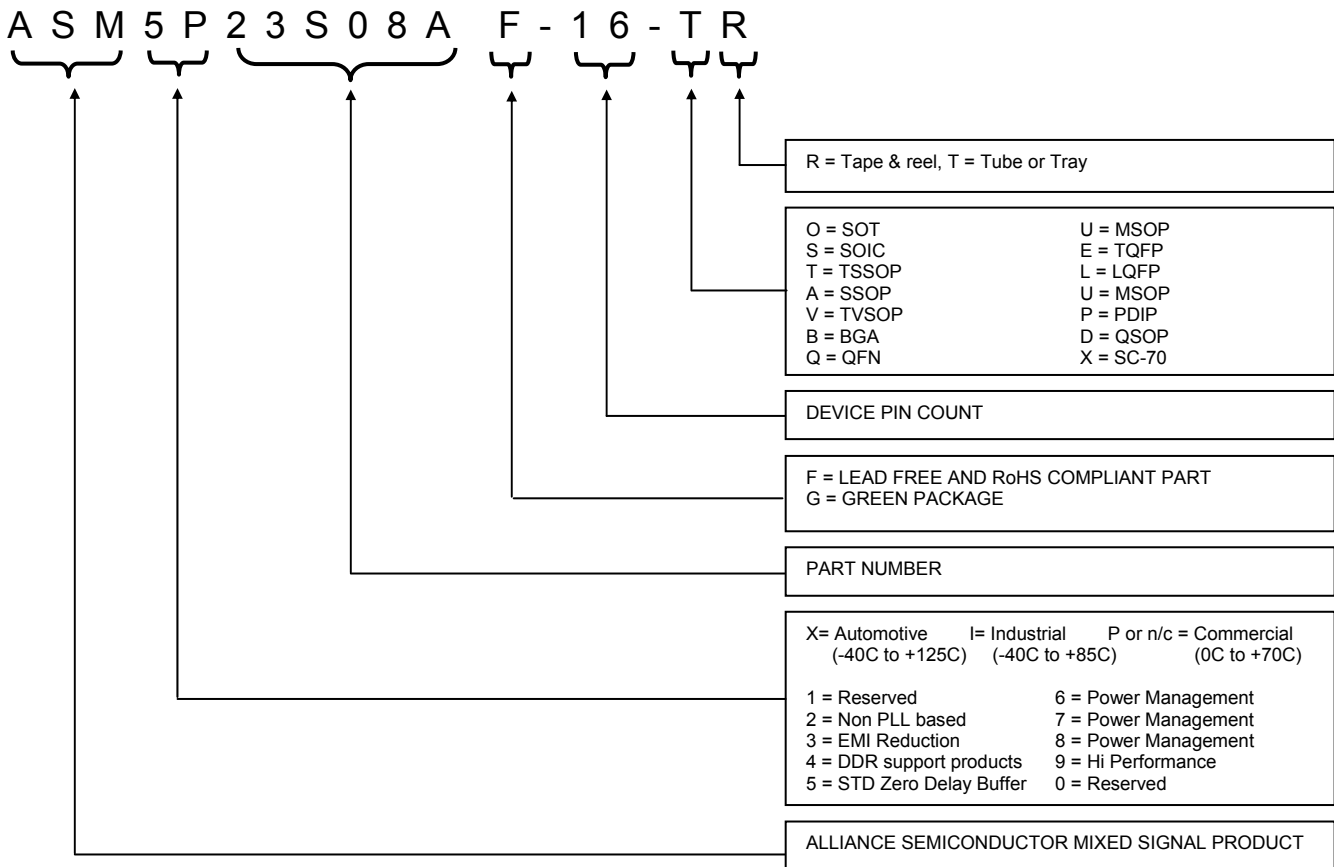


rev 1.4

Ordering Codes (Contd...)

Ordering Code	Marking	Package Type	Operating Range
ASM5I23S08AG-5H-16-ST	5I23S08AG-5H	16-pin 150-mil SOIC- TUBE, Green	Industrial
ASM5P23S08AG-5H-16-SR	5P23S08AG-5H	16-pin 150-mil SOIC-TAPE & REEL, Green	Commercial
ASM5I23S08AG-5H-16-SR	5I23S08AG-5H	16-pin 150-mil SOIC-TAPE & REEL, Green	Industrial
ASM5P23S08AG-5H-16-TT	5P23S08AG-5H	16-pin 4.4-mm TSSOP - TUBE, Green	Commercial
ASM5I23S08AG-5H-16-TT	5I23S08AG-5H	16-pin 4.4-mm TSSOP - TUBE, Green	Industrial
ASM5P23S08AG-5H-16-TR	5P23S08AG-5H	16-pin 4.4-mm TSSOP - TAPE & REEL, Green	Commercial
ASM5I23S08AG-5H-16-TR	5I23S08AG-5H	16-pin 4.4-mm TSSOP - TAPE & REEL, Green	Industrial

Device Ordering Information





Alliance Semiconductor Corporation
2575 Augustine Drive,
Santa Clara, CA 95054
Tel# 408-855-4900
Fax: 408-855-4999
www.alsc.com

Copyright © Alliance Semiconductor
All Rights Reserved
Preliminary Information
Part Number: ASM5P23S08A
Document Version: v1.4

Note: This product utilizes US Patent # 6,646,463 Impedance Emulator Patent issued to Alliance Semiconductor, dated 11-11-2003

© Copyright 2003 Alliance Semiconductor Corporation. All rights reserved. Our three-point logo, our name and Intelliwatt are trademarks or registered trademarks of Alliance. All other brand and product names may be the trademarks of their respective companies. Alliance reserves the right to make changes to this document and its products at any time without notice. Alliance assumes no responsibility for any errors that may appear in this document. The data contained herein represents Alliance's best data and/or estimates at the time of issuance. Alliance reserves the right to change or correct this data at any time, without notice. If the product described herein is under development, significant changes to these specifications are possible. The information in this product data sheet is intended to be general descriptive information for potential customers and users, and is not intended to operate as, or provide, any guarantee or warranty to any user or customer. Alliance does not assume any responsibility or liability arising out of the application or use of any product described herein, and disclaims any express or implied warranties related to the sale and/or use of Alliance products including liability or warranties related to fitness for a particular purpose, merchantability, or infringement of any intellectual property rights, except as express agreed to in Alliance's Terms and Conditions of Sale (which are available from Alliance). All sales of Alliance products are made exclusively according to Alliance's Terms and Conditions of Sale. The purchase of products from Alliance does not convey a license under any patent rights, copyrights; mask works rights, trademarks, or any other intellectual property rights of Alliance or third parties. Alliance does not authorize its products for use as critical components in life-supporting systems where a malfunction or failure may reasonably be expected to result in significant injury to the user, and the inclusion of Alliance products in such life-supporting systems implies that the manufacturer assumes all risk of such use and agrees to indemnify Alliance against all claims arising from such use.