



### 3.3V Zero Delay Buffer

#### General Features

- 15MHz to 133MHz operating range, compatible with CPU and PCI bus frequencies.
- Zero input - output propagation delay.
- Multiple low-skew outputs.
  - Output-output skew less than 250pS.
  - Device-device skew less than 700pS.
  - One input drives 9 outputs, grouped as 4 + 4 + 1(ASM5P2309A).
  - One input drives 5 outputs (ASM5P2305A).
- Less than 200 pS cycle-to-cycle jitter is compatible with Pentium® based systems.
- Test Mode to bypass PLL (ASM5P2309A only, Refer Select Input Decoding Table).
- Available in 16pin 150-mil SOIC, 4.4 mm TSSOP (ASM5P2309A), and in 8pin 150-mil SOIC package (ASM5P2305A).
- 3.3V operation, advanced 0.35µ CMOS technology.

133MHz frequencies, and has higher drive than the -1 devices. All parts have on-chip PLLs that lock to an input clock on the REF pin. The PLL feedback is on-chip and is obtained from the CLKOUT pad.

The ASM5P2309A has two banks of four outputs each, which can be controlled by the Select inputs as shown in the Select Input Decoding Table. The select input also allows the input clock to be directly applied to the outputs for chip and system testing purposes.

Multiple ASM5P2309A and ASM5P2305A devices can accept the same input clock and distribute it. In this case the skew between the outputs of the two devices is guaranteed to be less than 700pS.

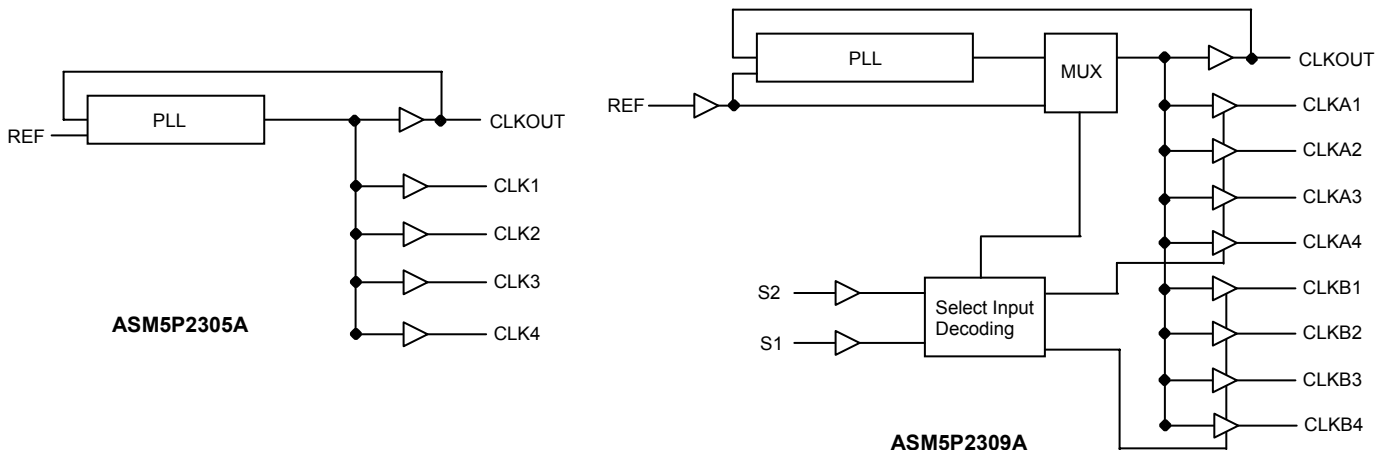
All outputs have less than 200pS of cycle-to-cycle jitter. The input and output propagation delay is guaranteed to be less than 350pS, and the output to output skew is guaranteed to be less than 250pS.

#### Functional Description

ASM5P2309A is a versatile, 3.3V zero-delay buffer designed to distribute high-speed clocks. It accepts one reference input and drives out nine low-skew clocks. It is available in a 16-pin package. The ASM5P2305A is the eight-pin version of the ASM5P2309A. It accepts one reference input and drives out five low-skew clocks. The -1H version of the ASM5P23XXA operates at up to

The ASM5P2309A and the ASM5P2305A are available in two different configurations, as shown in the ordering information table. The ASM5P2305A-1/ ASM5P2309A-1 is the base part. The ASM5P2305A-1H/ ASM5P2309A-1H is the high drive version of the -1 and its rise and fall times are much faster than -1 part.

#### Block Diagram





Select Input Decoding for ASM5P2309A

S2	S1	Clock A1 - A4	Clock B1 - B4	CLKOUT <sup>1</sup>	Output Source	PLL Shut-Down
0	0	Three-state	Three-state	Driven	PLL	N
0	1	Driven	Three-state	Driven	PLL	N
1	0	Driven	Driven	Driven	Reference	Y
1	1	Driven	Driven	Driven	PLL	N

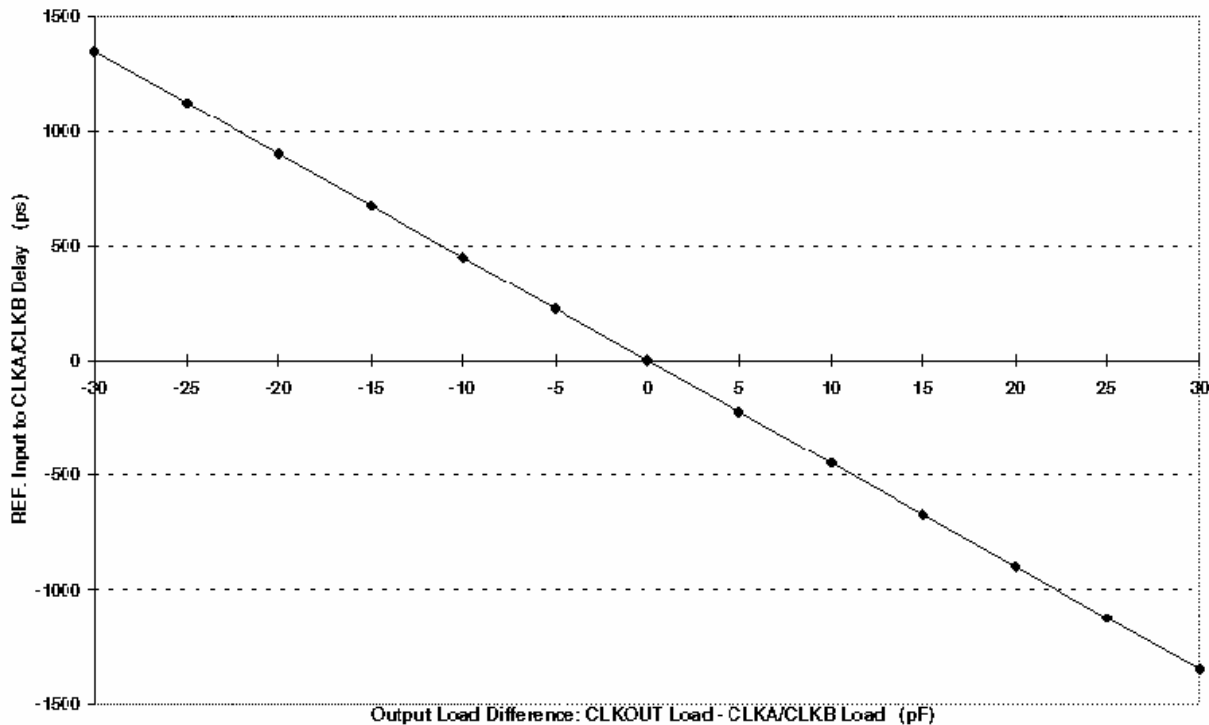
Notes:

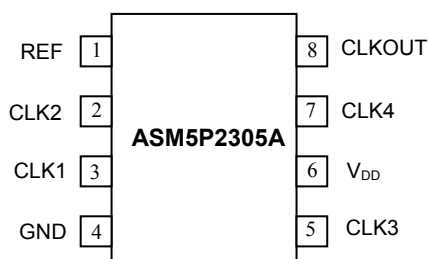
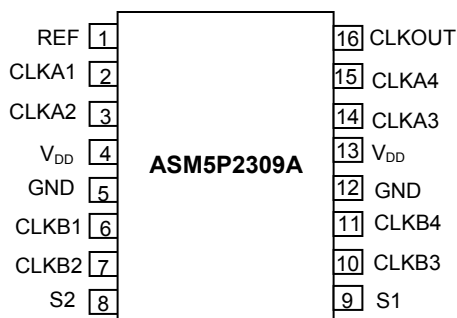
1. This output is driven and has an internal feedback for the PLL. The load on this output can be adjusted to change the skew between the reference and the output.

Zero Delay and Skew Control

All outputs should be uniformly loaded to achieve Zero Delay between input and output. Since the CLKOUT pin is the internal feedback to the PLL, its relative loading can adjust the input-output delay.

For applications requiring zero input-output delay, all outputs, including CLKOUT, must be equally loaded. Even if CLKOUT is not used, it must have a capacitive load equal to that on other outputs, for obtaining zero-input-output delay.





### Pin Description for ASM5P2309A

Pin #	Pin Name	Description
1	REF <sup>2</sup>	Input reference frequency, 5V tolerant input
2	CLKA1 <sup>3</sup>	Buffered clock output, bank A
3	CLKA2 <sup>3</sup>	Buffered clock output, bank A
4	V <sub>DD</sub>	3.3V supply
5	GND	Ground
6	CLKB1 <sup>3</sup>	Buffered clock output, bank B
7	CLKB2 <sup>3</sup>	Buffered clock output, bank B
8	S2 <sup>4</sup>	Select input, bit 2
9	S1 <sup>4</sup>	Select input, bit 1
10	CLKB3 <sup>3</sup>	Buffered clock output, bank B
11	CLKB4 <sup>3</sup>	Buffered clock output, bank B
12	GND	Ground
13	V <sub>DD</sub>	3.3V supply
14	CLKA3 <sup>3</sup>	Buffered clock output, bank A
15	CLKA4 <sup>3</sup>	Buffered clock output, bank A
16	CLKOUT <sup>3</sup>	Buffered output, internal feedback on this pin



## Pin Description for ASM5P2305A

Pin #	Pin Name	Description
1	REF <sup>2</sup>	Input reference frequency, 5V-tolerant input
2	CLK2 <sup>3</sup>	Buffered clock output
3	CLK1 <sup>3</sup>	Buffered clock output
4	GND	Ground
5	CLK3 <sup>3</sup>	Buffered clock output
6	V <sub>DD</sub>	3.3V supply
7	CLK4 <sup>3</sup>	Buffered clock output
8	CLKOUT <sup>3</sup>	Buffered clock output, internal feedback on this pin

## Notes:

2. Weak pull-down.
3. Weak pull-down on all outputs.
4. Weak pull-up on these inputs.


**Absolute Maximum Ratings**

Parameter	Min	Max	Unit
Supply Voltage to Ground Potential	-0.5	+7.0	V
DC Input Voltage (Except REF)	-0.5	$V_{DD} + 0.5$	V
DC Input Voltage (REF)	-0.5	7	V
Storage Temperature	-65	+150	°C
Max. Soldering Temperature (10 sec)		260	°C
Junction Temperature		150	°C
Static Discharge Voltage (As per JEDEC STD22- A114-B)		2000	V

Note: These are stress ratings only and functional usage is not implied. Exposure to absolute maximum ratings for prolonged periods can affect device reliability.

**Operating Conditions for ASM5P2305A and ASM5P2309A - Commercial Temperature Devices**

Parameter	Description	Min	Max	Unit
$V_{DD}$	Supply Voltage	3.0	3.6	V
$T_A$	Operating Temperature (Ambient Temperature)	0	70	°C
$C_L$	Load Capacitance, below 100MHz		30	pF
$C_L$	Load Capacitance, from 100MHz to 133MHz		10	pF
$C_{IN}$	Input Capacitance		7	pF


**Electrical Characteristics for ASM5P2305A and ASM5P2309A - Commercial Temperature Devices**

Parameter	Description	Test Conditions	Min	Typ	Max	Unit
V <sub>IL</sub>	Input LOW Voltage <sup>5</sup>				0.8	V
V <sub>IH</sub>	Input HIGH Voltage <sup>5</sup>		2.0			V
I <sub>IL</sub>	Input LOW Current	V <sub>IN</sub> = 0V			50	μA
I <sub>IH</sub>	Input HIGH Current	V <sub>IN</sub> = V <sub>DD</sub>			100	μA
V <sub>OL</sub>	Output LOW Voltage <sup>6</sup>	I <sub>OL</sub> = 8mA (-1) I <sub>OH</sub> = 12mA (-1H)			0.4	V
V <sub>OH</sub>	Output HIGH Voltage <sup>6</sup>	I <sub>OL</sub> = -8mA (-1) I <sub>OH</sub> = -12mA (-1H)	2.4			V
I <sub>DD</sub>	Supply Current	Unloaded outputs at 66.67MHz, SEL inputs at V <sub>DD</sub>			34	mA
Z <sub>o</sub>	Output Impedance			23		Ω

**Switching Characteristics for ASM5P2305A-1 and ASM5P2309A-1 -- Commercial Temperature Devices<sup>7</sup>**

Parameter	Description	Test Conditions	Min	Typ	Max	Unit
1/t <sub>1</sub>	Output Frequency	30pF load 10pF load	15 15		100 133	MHz
	Duty Cycle <sup>6</sup> = (t <sub>2</sub> / t <sub>1</sub> ) * 100	Measured at 1.4V, F <sub>OUT</sub> = 66.67MHz	40	50	60	%
t <sub>3</sub>	Output Rise Time <sup>6</sup>	Measured between 0.8V and 2.0V			2.50	nS
t <sub>4</sub>	Output Fall Time <sup>6</sup>	Measured between 2.0V and 0.8V			2.50	nS
t <sub>5</sub>	Output-to-output skew <sup>6</sup>	All outputs equally loaded			250	pS
t <sub>6</sub>	Delay, REF Rising Edge to CLKOUT Rising Edge <sup>6</sup>	Measured at V <sub>DD</sub> /2		0	±350	pS
t <sub>7</sub>	Device-to-Device Skew <sup>6</sup>	Measured at V <sub>DD</sub> /2 on the CLKOUT pins of the device		0	700	pS
t <sub>J</sub>	Cycle-to-cycle jitter <sup>6</sup>	Measured at 66.67MHz, loaded outputs			200	pS
t <sub>LOCK</sub>	PLL Lock Time <sup>6</sup>	Stable power supply, valid clock presented on REF pin			1.0	mS

Notes:

5. REF input has a threshold voltage of V<sub>DD</sub> /2
6. Parameter is guaranteed by design and characterization. Not 100% tested in production
7. All parameters specified with loaded outputs.


**Switching Characteristics for ASM5P2305A-1H and ASM5P2309A-1H Commercial Temperature Devices<sup>9</sup>**

Parameter	Description	Test Conditions	Min	Typ	Max	Unit
1/t <sub>1</sub>	Output Frequency	30pF load	15		100	MHz
		10pF load	15		133	
	Duty Cycle <sup>8</sup> = (t <sub>2</sub> / t <sub>1</sub> ) * 100	Measured at 1.4 V, F <sub>OUT</sub> = 66.67MHz	40	50	60	%
	Duty Cycle <sup>8</sup> = (t <sub>2</sub> / t <sub>1</sub> ) * 100	Measured at 1.4 V, F <sub>OUT</sub> < 50.0MHz	45	50	55	
t <sub>3</sub>	Output Rise Time <sup>8</sup>	Measured between 0.8V and 2.0V			1.5	nS
t <sub>4</sub>	Output Fall Time <sup>8</sup>	Measured between 2.0V and 0.8V			1.5	nS
t <sub>5</sub>	Output-to-output skew <sup>8</sup>	All outputs equally loaded			250	pS
t <sub>6</sub>	Delay, REF Rising Edge to CLKOUT Rising Edge <sup>8</sup>	Measured at V <sub>DD</sub> /2		0	± 350	pS
t <sub>7</sub>	Device-to-Device Skew <sup>8</sup>	Measured at V <sub>DD</sub> /2 on the CLKOUT pins of the device		0	700	pS
t <sub>8</sub>	Output Slew Rate <sup>8</sup>	Measured between 0.8V and 2.0V using Test Circuit #2	1			V/nS
t <sub>J</sub>	Cycle-to-cycle jitter <sup>8</sup>	Measured at 66.67 MHz, loaded outputs			200	pS
t <sub>LOCK</sub>	PLL Lock Time <sup>8</sup>	Stable power supply, valid clock presented on REF pin			1.0	mS

Notes:

8. Parameter is guaranteed by design and characterization. Not 100% tested in production

9. All parameters specified with loaded outputs.

**Operating Conditions for ASM5I2305A and ASM5I2309A Industrial Temperature Devices**

Parameter	Description	Min	Max	Unit
V <sub>DD</sub>	Supply Voltage	3.0	3.6	V
T <sub>A</sub>	Operating Temperature (Ambient Temperature)	-40	85	°C
C <sub>L</sub>	Load Capacitance, below 100MHz		30	pF
C <sub>L</sub>	Load Capacitance, from 100MHz to 133MHz		15	pF
C <sub>IN</sub>	Input Capacitance		7	pF


**Electrical Characteristics for ASM5I2305A and ASM5I2309A Industrial Temperature Devices**

Parameter	Description	Test Conditions	Min	Typ	Max	Unit
V <sub>IL</sub>	Input LOW Voltage <sup>10</sup>				0.8	V
V <sub>IH</sub>	Input HIGH Voltage <sup>10</sup>		2.0			V
I <sub>IL</sub>	Input LOW Current	V <sub>IN</sub> = 0V			50	μA
I <sub>IH</sub>	Input HIGH Current	V <sub>IN</sub> = V <sub>DD</sub>			100	μA
V <sub>OL</sub>	Output LOW Voltage <sup>11</sup>	I <sub>OL</sub> = 8mA (-1) I <sub>OH</sub> = 12mA (-1H)			0.4	V
V <sub>OH</sub>	Output HIGH Voltage <sup>11</sup>	I <sub>OL</sub> = -8mA (-1) I <sub>OH</sub> = -12mA (-1H)	2.4			V
I <sub>DD</sub>	Supply Current	Unloaded outputs at 100MHz, SEL inputs at V <sub>DD</sub> or GND, at room temp.			50	mA
		Unloaded outputs at 66.67MHz, SEL inputs at V <sub>DD</sub> or GND, at room temp.			34	
		Unloaded outputs at 33MHz, SEL inputs at V <sub>DD</sub> or GND, at room temp.			19	
Z <sub>o</sub>	Output Impedance			23		Ω

## Notes:

10. REF input has a threshold voltage of V<sub>DD</sub> /2

11. Parameter is guaranteed by design and characterization. Not 100% tested in production




**Switching Characteristics for ASM5I2305A-1H and ASM5I2309A-1H - Industrial Temperature Devices<sup>13</sup>**

Parameter	Description	Test Conditions	Min	Typ	Max	Unit
1/t <sub>1</sub>	Output Frequency	30pF load	15		100	MHz
		10pF load	15		133	
	Duty Cycle <sup>12</sup> = (t <sub>2</sub> / t <sub>1</sub> ) * 100	Measured at 1.4V, F <sub>OUT</sub> = 66.67MHz	40	50	60	%
	Duty Cycle <sup>12</sup> = (t <sub>2</sub> / t <sub>1</sub> ) * 100	Measured at 1.4V, F <sub>OUT</sub> < 50.0MHz	45	50	55	
t <sub>3</sub>	Output Rise Time <sup>12</sup>	Measured between 0.8V and 2.0V			1.5	nS
t <sub>4</sub>	Output Fall Time <sup>12</sup>	Measured between 2.0V and 0.8V			1.5	nS
t <sub>5</sub>	Output-to-output skew <sup>12</sup>	All outputs equally loaded			250	pS
t <sub>6</sub>	Delay, REF Rising Edge to CLKOUT Rising Edge <sup>12</sup>	Measured at V <sub>DD</sub> /2		0	± 350	pS
t <sub>7</sub>	Device-to-Device Skew <sup>12</sup>	Measured at V <sub>DD</sub> /2 on the CLKOUT pins of the device		0	700	pS
t <sub>8</sub>	Output Slew Rate <sup>12</sup>	Measured between 0.8V and 2.0V using Test Circuit #2	1			V/nS
t <sub>J</sub>	Cycle-to-cycle jitter <sup>12</sup>	Measured at 66.67MHz, loaded outputs			200	pS
t <sub>LOCK</sub>	PLL Lock Time <sup>12</sup>	Stable power supply, valid clock presented on REF pin			1.0	mS

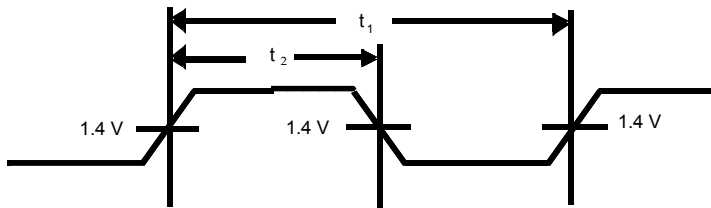
## Notes:

12. Parameter is guaranteed by design and characterization. Not 100% tested in production  
 13. All parameters specified with loaded outputs.

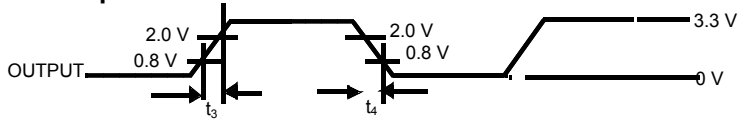


### Switching Waveforms

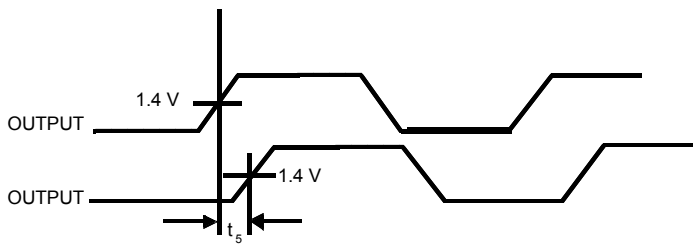
#### Duty Cycle Timing



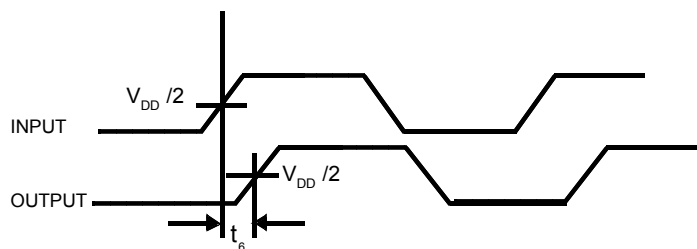
#### All Outputs Rise/Fall Time



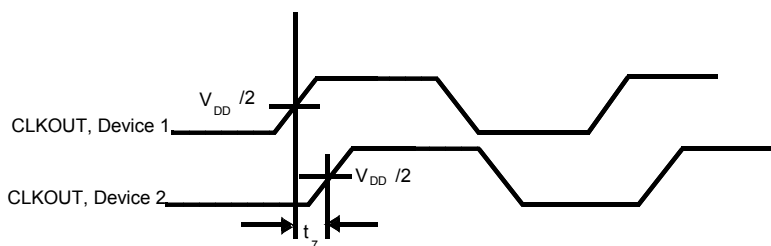
#### Output - Output Skew



#### Input - Output Propagation Delay

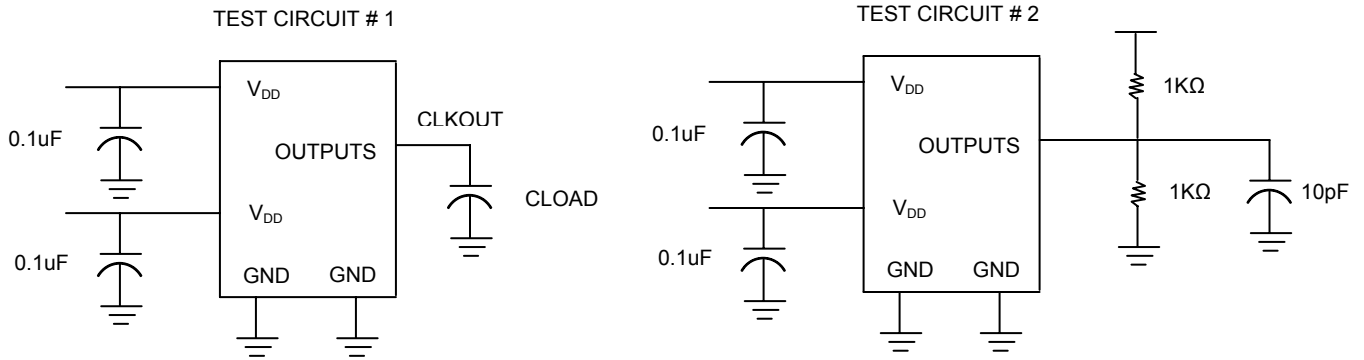


#### Device - Device Skew





Test Circuits

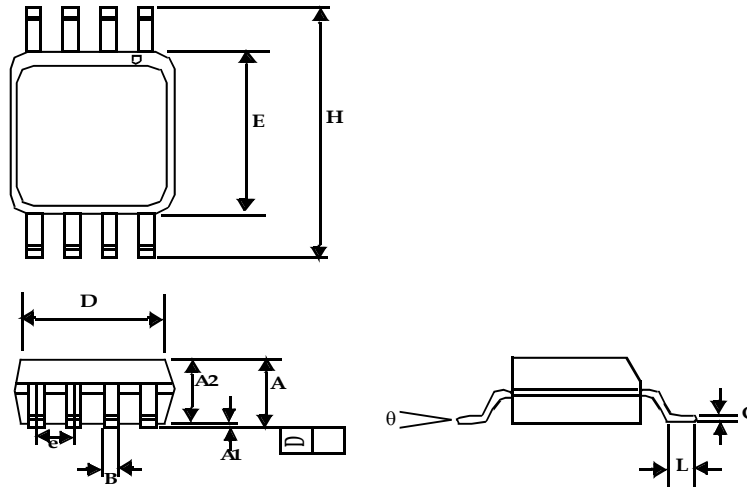


For parameter  $t_8$  (output skew rate) on -1H devices



Package Information

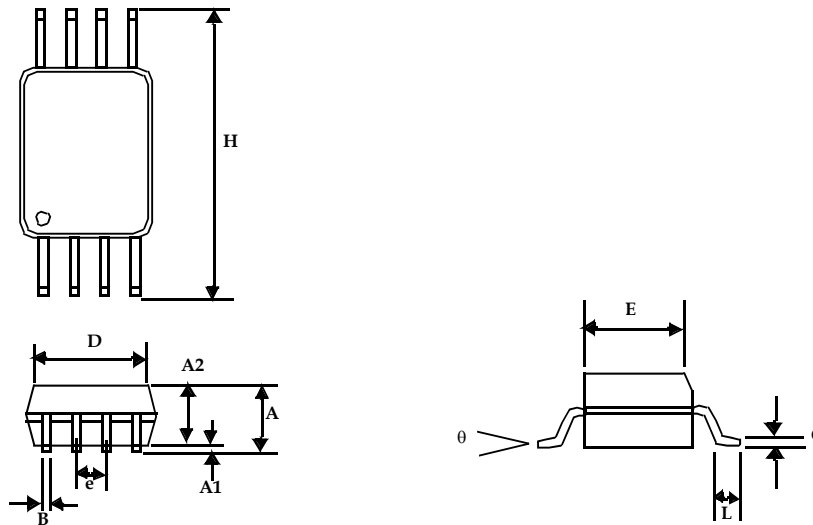
8-lead (150-mil) SOIC Package



Symbol	Dimensions			
	Inches		Millimeters	
	Min	Max	Min	Max
A1	0.004	0.010	0.10	0.25
A	0.053	0.069	1.35	1.75
A2	0.049	0.059	1.25	1.50
B	0.012	0.020	0.31	0.51
C	0.007	0.010	0.18	0.25
D	0.193 BSC		4.90 BSC	
E	0.154 BSC		3.91 BSC	
e	0.050 BSC		1.27 BSC	
H	0.236 BSC		6.00 BSC	
L	0.016	0.050	0.41	1.27
θ	0°	8°	0°	8°



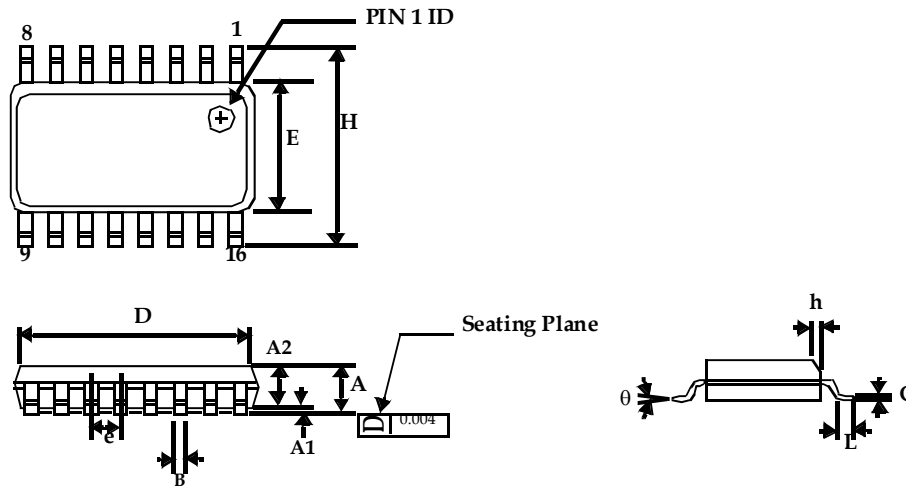
8-lead Thin Shrunken Small Outline Package (4.40-MM Body)



Symbol	Dimensions			
	Inches		Millimeters	
	Min	Max	Min	Max
A		0.043		1.10
A1	0.002	0.006	0.05	0.15
A2	0.033	0.037	0.85	0.95
B	0.008	0.012	0.19	0.30
c	0.004	0.008	0.09	0.20
D	0.114	0.122	2.90	3.10
E	0.169	0.177	4.30	4.50
e	0.026 BSC		0.65 BSC	
H	0.252 BSC		6.40 BSC	
L	0.020	0.028	0.50	0.70
θ	0°	8°	0°	8°



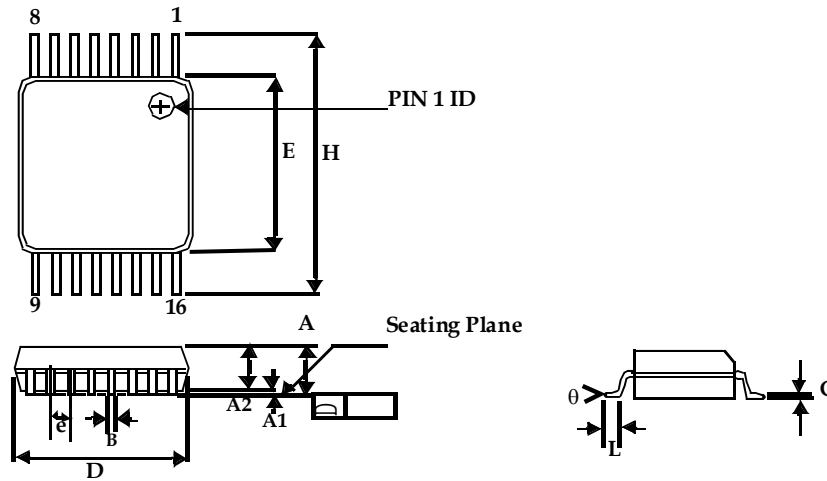
16-lead (150 Mil) Molded SOIC



Symbol	Dimensions			
	Inches		Millimeters	
	Min	Max	Min	Max
A	0.053	0.069	1.35	1.75
A1	0.004	0.010	0.10	0.25
A2	0.049	0.059	1.25	1.50
B	0.013	0.022	0.33	0.53
C	0.008	0.012	0.19	0.27
D	0.386	0.394	9.80	10.01
E	0.150	0.157	3.80	4.00
e	0.050 BSC		1.27 BSC	
H	0.228	0.244	5.80	6.20
h	0.010	0.016	0.25	0.41
L	0.016	0.035	0.40	0.89
$\theta$	0°	8°	0°	8°



16-lead Thin Shrunk Small Outline Package (4.40-MM Body)



Symbol	Dimensions			
	Inches		Millimeters	
	Min	Max	Min	Max
A		0.043		1.20
A1	0.002	0.006	0.05	0.15
A2	0.031	0.041	0.80	1.05
B	0.007	0.012	0.19	0.30
C	0.004	0.008	0.09	0.20
D	0.193	0.201	4.90	5.10
E	0.169	0.177	4.30	4.50
e	0.026 BSC		0.65 BSC	
H	0.252 BSC		6.40 BSC	
L	0.020	0.030	0.50	0.75
$\theta$	0°	8°	0°	8°


**Ordering Codes**

Ordering Code	Marking	Package Type	Operating Range
ASM5P2309A-1-16-ST	5P2309A-1	16-pin 150-mil SOIC-TUBE	Commercial
ASM5I2309A-1-16-ST	5I2309A-1	16-pin 150-mil SOIC- TUBE	Industrial
ASM5P2309A-1-16-SR	5P2309A-1	16-pin 150-mil SOIC-TAPE & REEL	Commercial
ASM5I2309A-1-16-SR	5I2309A-1	16-pin 150-mil SOIC-TAPE & REEL	Industrial
ASM5P2309A-1-16-TT	5P2309A-1	16-pin 4.4-mm TSSOP - TUBE	Commercial
ASM5I2309A-1-16-TT	5I2309A-1	16-pin 4.4-mm TSSOP - TUBE	Industrial
ASM5P2309A-1-16-TR	5P2309A-1	16-pin 4.4-mm TSSOP - TAPE & REEL	Commercial
ASM5I2309A-1-16-TR	5I2309A-1	16-pin 4.4-mm TSSOP - TAPE & REEL	Industrial
ASM5P2309A-1H-16-ST	5P2309A-1H	16-pin 150-mil SOIC-TUBE	Commercial
ASM5I2309A-1H-16-ST	5I2309A-1H	16-pin 150-mil SOIC- TUBE	Industrial
ASM5P2309A-1H-16-SR	5P2309A-1H	16-pin 150-mil SOIC-TAPE & REEL	Commercial
ASM5I2309A-1H-16-SR	5I2309A-1H	16-pin 150-mil SOIC-TAPE & REEL	Industrial
ASM5P2309A-1H-16-TT	5P2309A-1H	16-pin 4.4-mm TSSOP - TUBE	Commercial
ASM5I2309A-1H-16-TT	5I2309A-1H	16-pin 4.4-mm TSSOP - TUBE	Industrial
ASM5P2309A-1H-16-TR	5P2309A-1H	16-pin 4.4-mm TSSOP - TAPE & REEL	Commercial
ASM5I2309A-1H-16-TR	5I2309A-1H	16-pin 4.4-mm TSSOP - TAPE & REEL	Industrial
ASM5P2305A-1-08-ST	5P2305A-1	8-pin 150-mil SOIC-TUBE	Commercial
ASM5I2305A-1-08-ST	5I2305A-1	8-pin 150-mil SOIC- TUBE	Industrial
ASM5P2305A-1-08-SR	5P2305A-1	8-pin 150-mil SOIC-TAPE & REEL	Commercial
ASM5I2305A-1-08-SR	5I2305A-1	8-pin 150-mil SOIC-TAPE & REEL	Industrial
ASM5P2305A-1-08-TT	5P2305A-1	8-pin 4.4-mm TSSOP - TUBE	Commercial
ASM5I2305A-1-08-TT	5I2305A-1	8-pin 4.4-mm TSSOP - TUBE	Industrial
ASM5P2305A-1-08-TR	5P2305A-1	8-pin 4.4-mm TSSOP - TAPE & REEL	Commercial
ASM5I2305A-1-08-TR	5I2305A-1	8-pin 4.4-mm TSSOP - TAPE & REEL	Industrial
ASM5P2305A-1H-08-ST	5P2305A-1H	8-pin 150-mil SOIC-TUBE	Commercial
ASM5I2305A-1H-08-ST	5I2305A-1H	8-pin 150-mil SOIC- TUBE	Industrial
ASM5P2305A-1H-08-SR	5P2305A-1H	8-pin 150-mil SOIC-TAPE & REEL	Commercial
ASM5I2305A-1H-08-SR	5I2305A-1H	8-pin 150-mil SOIC-TAPE & REEL	Industrial
ASM5P2305A-1H-08-TT	5P2305A-1H	8-pin 4.4-mm TSSOP - TUBE	Commercial
ASM5I2305A-1H-08-TT	5I2305A-1H	8-pin 4.4-mm TSSOP - TUBE	Industrial
ASM5P2305A-1H-08-TR	5P2305A-1H	8-pin 4.4-mm TSSOP - TAPE & REEL	Commercial
ASM5I2305A-1H-08-TR	5I2305A-1H	8-pin 4.4-mm TSSOP - TAPE & REEL	Industrial




**Ordering Codes (cont'd)**

Ordering Code	Marking	Package Type	Operating Range
ASM5P2309AF-1-16-ST	5P2309AF-1	16-pin 150-mil SOIC-TUBE,Pb Free	Commercial
ASM5I2309AF-1-16-ST	5I2309AF-1	16-pin 150-mil SOIC- TUBE,Pb Free	Industrial
ASM5P2309AF-1-16-SR	5P2309AF-1	16-pin 150-mil SOIC-TAPE & REEL,Pb Free	Commercial
ASM5I2309AF-1-16-SR	5I2309AF-1	16-pin 150-mil SOIC-TAPE & REEL,Pb Free	Industrial
ASM5P2309AF-1-16-TT	5P2309AF-1	16-pin 4.4-mm TSSOP - TUBE,Pb Free	Commercial
ASM5I2309AF-1-16-TT	5I2309AF-1	16-pin 4.4-mm TSSOP - TUBE,Pb Free	Industrial
ASM5P2309AF-1-16-TR	5P2309AF-1	16-pin 4.4-mm TSSOP - TAPE & REEL,Pb Free	Commercial
ASM5I2309AF-1-16-TR	5I2309AF-1	16-pin 4.4-mm TSSOP - TAPE & REEL,Pb Free	Industrial
ASM5P2309AF-1H-16-ST	5P2309AF-1H	16-pin 150-mil SOIC-TUBE,Pb Free	Commercial
ASM5I2309AF-1H-16-ST	5I2309AF-1H	16-pin 150-mil SOIC- TUBE,Pb Free	Industrial
ASM5P2309AF-1H-16-SR	5P2309AF-1H	16-pin 150-mil SOIC-TAPE & REEL,Pb Free	Commercial
ASM5I2309AF-1H-16-SR	5I2309AF-1H	16-pin 150-mil SOIC-TAPE & REEL,Pb Free	Industrial
ASM5P2309AF-1H-16-TT	5P2309AF-1H	16-pin 4.4-mm TSSOP - TUBE,Pb Free	Commercial
ASM5I2309AF-1H-16-TT	5I2309AF-1H	16-pin 4.4-mm TSSOP - TUBE,Pb Free	Industrial
ASM5P2309AF-1H-16-TR	5P2309AF-1H	16-pin 4.4-mm TSSOP - TAPE & REEL,Pb Free	Commercial
ASM5I2309AF-1H-16-TR	5I2309AF-1H	16-pin 4.4-mm TSSOP - TAPE & REEL,Pb Free	Industrial
ASM5P2305AF-1-08-ST	5P2305AF-1	8-pin 150-mil SOIC-TUBE,Pb Free	Commercial
ASM5I2305AF-1-08-ST	5I2305AF-1	8-pin 150-mil SOIC- TUBE,Pb Free	Industrial
ASM5P2305AF-1-08-SR	5P2305AF-1	8-pin 150-mil SOIC-TAPE & REEL,Pb Free	Commercial
ASM5I2305AF-1-08-SR	5I2305AF-1	8-pin 150-mil SOIC-TAPE & REEL,Pb Free	Industrial
ASM5P2305AF-1-08-TT	5P2305AF-1	8-pin 4.4-mm TSSOP - TUBE,Pb Free	Commercial
ASM5I2305AF-1-08-TT	5I2305AF-1	8-pin 4.4-mm TSSOP - TUBE,Pb Free	Industrial
ASM5P2305AF-1-08-TR	5P2305AF-1	8-pin 4.4-mm TSSOP - TAPE & REEL,Pb Free	Commercial
ASM5I2305AF-1-08-TR	5I2305AF-1	8-pin 4.4-mm TSSOP - TAPE & REEL,Pb Free	Industrial
ASM5P2305AF-1H-08-ST	5P2305AF-1H	8-pin 150-mil SOIC-TUBE,Pb Free	Commercial
ASM5I2305AF-1H-08-ST	5I2305AF-1H	8-pin 150-mil SOIC- TUBE,Pb Free	Industrial
ASM5P2305AF-1H-08-SR	5P2305AF-1H	8-pin 150-mil SOIC-TAPE & REEL,Pb Free	Commercial
ASM5I2305AF-1H-08-SR	5I2305AF-1H	8-pin 150-mil SOIC-TAPE & REEL,Pb Free	Industrial
ASM5P2305AF-1H-08-TT	5P2305AF-1H	8-pin 4.4-mm TSSOP - TUBE,Pb Free	Commercial
ASM5I2305AF-1H-08-TT	5I2305AF-1H	8-pin 4.4-mm TSSOP - TUBE,Pb Free	Industrial
ASM5P2305AF-1H-08-TR	5P2305AF-1H	8-pin 4.4-mm TSSOP - TAPE & REEL,Pb Free	Commercial
ASM5I2305AF-1H-08-TR	5I2305AF-1H	8-pin 4.4-mm TSSOP - TAPE & REEL,Pb Free	Industrial



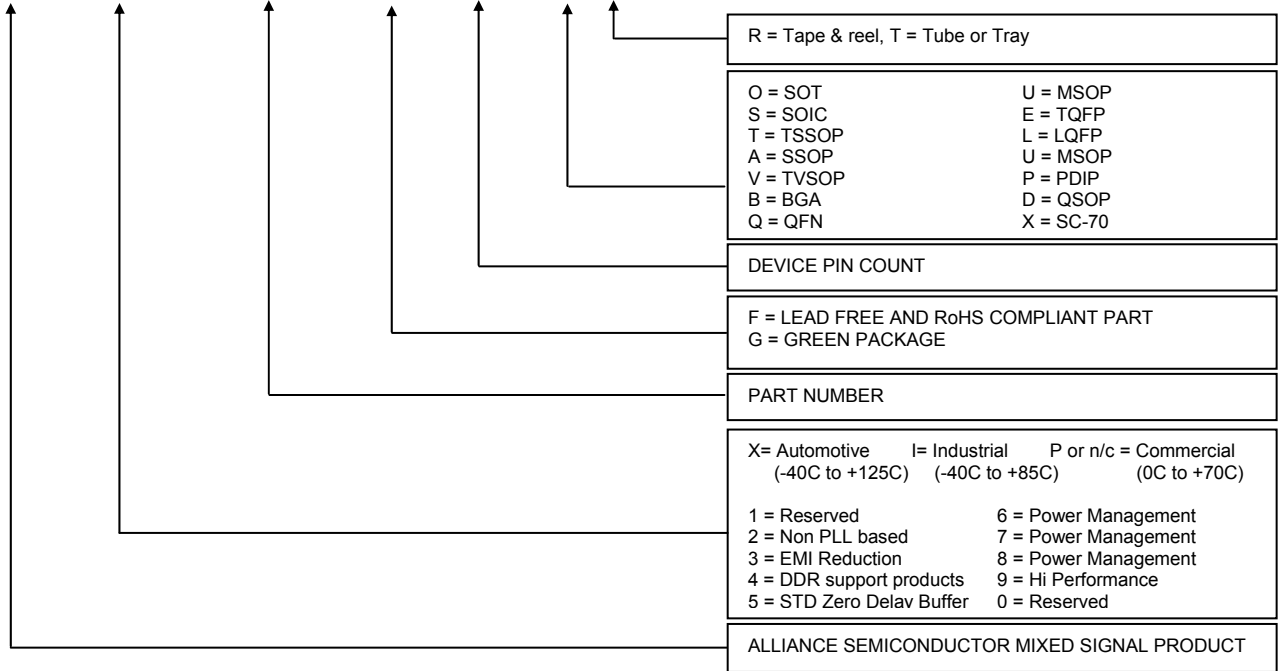
## Ordering Codes (cont'd)

Ordering Code	Marking	Package Type	Operating Range
ASM5P2309AG-1-16-ST	5P2309AG-1	16-pin 150-mil SOIC-TUBE, Green	Commercial
ASM5I2309AG-1-16-ST	5I2309AG-1	16-pin 150-mil SOIC- TUBE, Green	Industrial
ASM5P2309AG-1-16-SR	5P2309AG-1	16-pin 150-mil SOIC-TAPE & REEL, Green	Commercial
ASM5I2309AG-1-16-SR	5I2309AG-1	16-pin 150-mil SOIC-TAPE & REEL, Green	Industrial
ASM5P2309AG-1-16-TT	5P2309AG-1	16-pin 4.4-mm TSSOP - TUBE, Green	Commercial
ASM5I2309AG-1-16-TT	5I2309AG-1	16-pin 4.4-mm TSSOP - TUBE, Green	Industrial
ASM5P2309AG-1-16-TR	5P2309AG-1	16-pin 4.4-mm TSSOP - TAPE & REEL, Green	Commercial
ASM5I2309AG-1-16-TR	5I2309AG-1	16-pin 4.4-mm TSSOP - TAPE & REEL, Green	Industrial
ASM5P2309AG-1H-16-ST	5P2309AG-1H	16-pin 150-mil SOIC-TUBE, Green	Commercial
ASM5I2309AG-1H-16-ST	5I2309AG-1H	16-pin 150-mil SOIC- TUBE, Green	Industrial
ASM5P2309AG-1H-16-SR	5P2309AG-1H	16-pin 150-mil SOIC-TAPE & REEL, Green	Commercial
ASM5I2309AG-1H-16-SR	5I2309AG-1H	16-pin 150-mil SOIC-TAPE & REEL, Green	Industrial
ASM5P2309AG-1H-16-TT	5P2309AG-1H	16-pin 4.4-mm TSSOP - TUBE, Green	Commercial
ASM5I2309AG-1H-16-TT	5I2309AG-1H	16-pin 4.4-mm TSSOP - TUBE, Green	Industrial
ASM5P2309AG-1H-16-TR	5P2309AG-1H	16-pin 4.4-mm TSSOP - TAPE & REEL, Green	Commercial
ASM5I2309AG-1H-16-TR	5I2309AG-1H	16-pin 4.4-mm TSSOP - TAPE & REEL, Green	Industrial
ASM5P2305AG-1-08-ST	5P2305AG-1	8-pin 150-mil SOIC-TUBE, Green	Commercial
ASM5I2305AG-1-08-ST	5I2305AG-1	8-pin 150-mil SOIC- TUBE, Green	Industrial
ASM5P2305AG-1-08-SR	5P2305AG-1	8-pin 150-mil SOIC-TAPE & REEL, Green	Commercial
ASM5I2305AG-1-08-SR	5I2305AG-1	8-pin 150-mil SOIC-TAPE & REEL, Green	Industrial
ASM5P2305AG-1-08-TT	5P2305AG-1	8-pin 4.4-mm TSSOP - TUBE, Green	Commercial
ASM5I2305AG-1-08-TT	5I2305AG-1	8-pin 4.4-mm TSSOP - TUBE, Green	Industrial
ASM5P2305AG-1-08-TR	5P2305AG-1	8-pin 4.4-mm TSSOP - TAPE & REEL, Green	Commercial
ASM5I2305AG-1-08-TR	5I2305AG-1	8-pin 4.4-mm TSSOP - TAPE & REEL, Green	Industrial
ASM5P2305AG-1H-08-ST	5P2305AG-1H	8-pin 150-mil SOIC-TUBE, Green	Commercial
ASM5I2305AG-1H-08-ST	5I2305AG-1H	8-pin 150-mil SOIC- TUBE, Green	Industrial
ASM5P2305AG-1H-08-SR	5P2305AG-1H	8-pin 150-mil SOIC-TAPE & REEL, Green	Commercial
ASM5I2305AG-1H-08-SR	5I2305AG-1H	8-pin 150-mil SOIC-TAPE & REEL, Green	Industrial
ASM5P2305AG-1H-08-TT	5P2305AG-1H	8-pin 4.4-mm TSSOP - TUBE, Green	Commercial
ASM5I2305AG-1H-08-TT	5I2305AG-1H	8-pin 4.4-mm TSSOP - TUBE, Green	Industrial
ASM5P2305AG-1H-08-TR	5P2305AG-1H	8-pin 4.4-mm TSSOP - TAPE & REEL, Green	Commercial
ASM5I2305AG-1H-08-TR	5I2305AG-1H	8-pin 4.4-mm TSSOP - TAPE & REEL, Green	Industrial



**Device Ordering Information**

**A S M 5 P 2 3 0 5 A F - 0 8 - T R**



Licensed under US patent #5,488,627, #6,646,463 and #5,631,920.

September 2005



**ASM5P2309A**  
**ASM5P2305A**

www.DataSheet4U.com  
rev 1.6



Alliance Semiconductor Corporation  
2575 Augustine Drive,  
Santa Clara, CA 95054  
Tel# 408-855-4900  
Fax: 408-855-4999  
www.alsc.com

Copyright © Alliance Semiconductor  
All Rights Reserved  
Part Number: ASM5P2309A  
ASM5P2305A  
Document Version: 1.6

Note: This product utilizes US Patent # 6,646,463 Impedance Emulator Patent issued to Alliance Semiconductor, dated 11-11-2003

© Copyright 2003 Alliance Semiconductor Corporation. All rights reserved. Our three-point logo, our name and Intelliwatt are trademarks or registered trademarks of Alliance. All other brand and product names may be the trademarks of their respective companies. Alliance reserves the right to make changes to this document and its products at any time without notice. Alliance assumes no responsibility for any errors that may appear in this document. The data contained herein represents Alliance's best data and/or estimates at the time of issuance. Alliance reserves the right to change or correct this data at any time, without notice. If the product described herein is under development, significant changes to these specifications are possible. The information in this product data sheet is intended to be general descriptive information for potential customers and users, and is not intended to operate as, or provide, any guarantee or warranty to any user or customer. Alliance does not assume any responsibility or liability arising out of the application or use of any product described herein, and disclaims any express or implied warranties related to the sale and/or use of Alliance products including liability or warranties related to fitness for a particular purpose, merchantability, or infringement of any intellectual property rights, except as express agreed to in Alliance's Terms and Conditions of Sale (which are available from Alliance). All sales of Alliance products are made exclusively according to Alliance's Terms and Conditions of Sale. The purchase of products from Alliance does not convey a license under any patent rights, copyrights; mask works rights, trademarks, or any other intellectual property rights of Alliance or third parties. Alliance does not authorize its products for use as critical components in life-supporting systems where a malfunction or failure may reasonably be expected to result in significant injury to the user, and the inclusion of Alliance products in such life-supporting systems implies that the manufacturer assumes all risk of such use and agrees to indemnify Alliance against all claims arising from such use.