



ASM6312C □
DATA SHEET

6F-3 NO.7, LANE 75, TA-AN ROAD, SEC.1, TAIPEI, TAIWAN, R.O.C.
台北市大安路一段75巷7號6F-3 TEL:886-2-27818277 FAX:886-2-27815779

<http://www.aplusinc.com.tw>

ASM6312C – VERY LOW-COST VOICE SYNTHESIZER WITH 4-BIT MICROPROCESSOR**1.0 General Description**

The ASM6312C is very low cost voice synthesizer with 4-bit microprocessor. It has various features including 4-bit ALU, ROM, RAM, I/O ports, timers, clock generator, watchdog timer(WDT), voice synthesizer, etc. It consists of 22 instructions in the device. With CMOS technology and halt function can minimize power dissipation. Its architecture is similar to RISC, with two stages of instruction pipeline. It allows all instructions to be executed in a single cycle, except for program branches and data table read instructions (which need two instruction cycles).

1.1 Feature

- ◆ Single power supply can operate from 2.4V through 5V
- ◆ Internal Program ROM: 4K x 10-bit
- ◆ 1 sets of 18-bit DPR can access up to 192K x 10 bits data memory space
- ◆ Data Registers:
 - 96 x 4-bit data RAM (00-1Fh plus 40h-7Fh)
 - Unbanked special function registers (SFR) range: 20h-3Fh
- ◆ I/O Ports:
 - PRA: 4-bit I/O Port A (2Bh)
 - PRB: 4-bit Output Port B (2Dh)
 - PRC: 4-bit Input Port C (2Fh)
- ◆ On-chip clock generator: Resistive Clock Drive(**RM**)
- ◆ Timer: 1
 - Timer0: a 9-bit auto-reload timer/counter
- ◆ Stack: 2-level subroutine nesting
- ◆ HALT and Release from HALT function to reduce power consumption
- ◆ Watch Dog Timer (**WDT**)
- ◆ Instruction: 1-cycle instruction except for table read and program branches which are 2-cycles
- ◆ Number of instruction: 22

FIGURE 1.1 : Block Diagram of ASM6312C

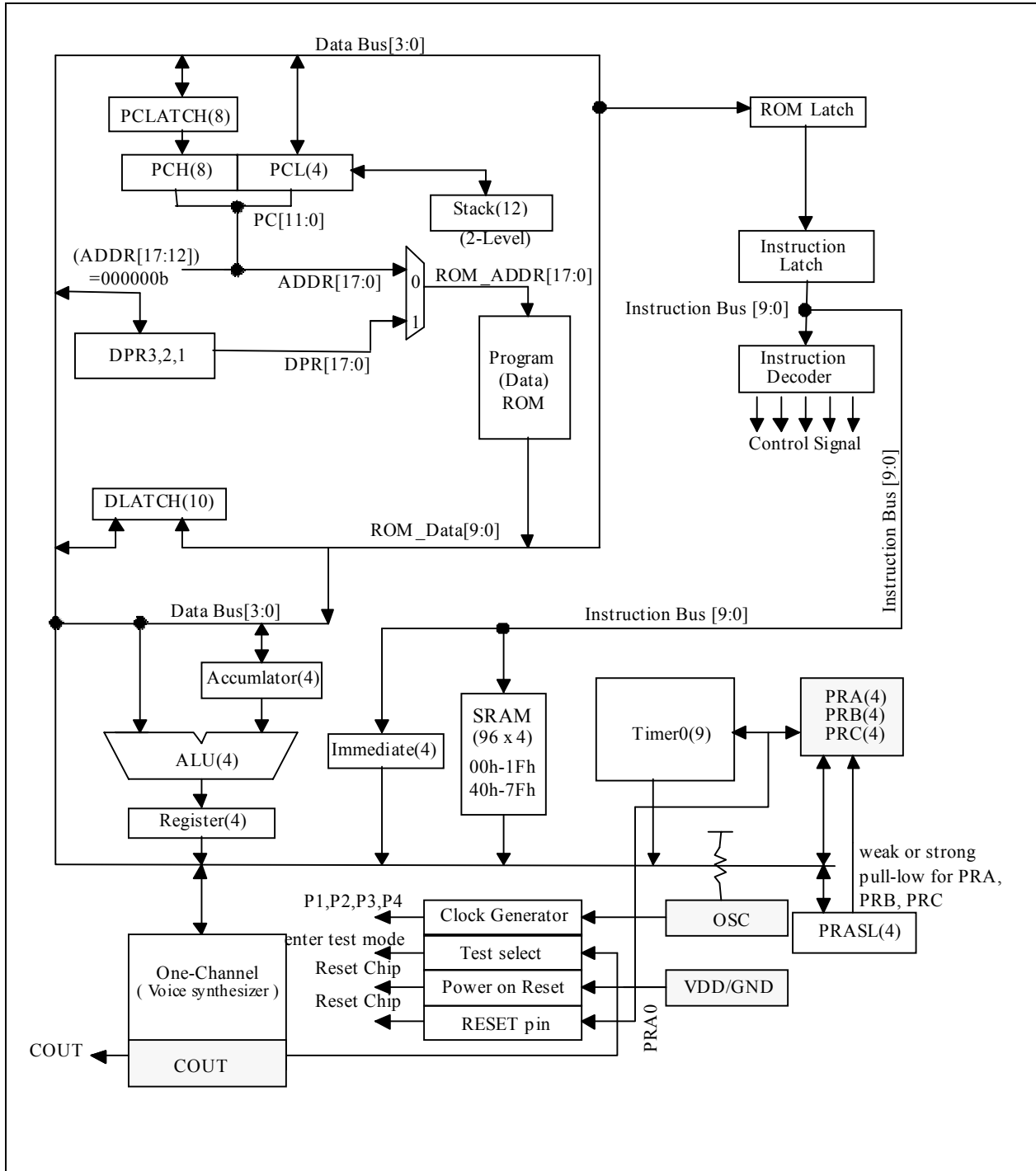
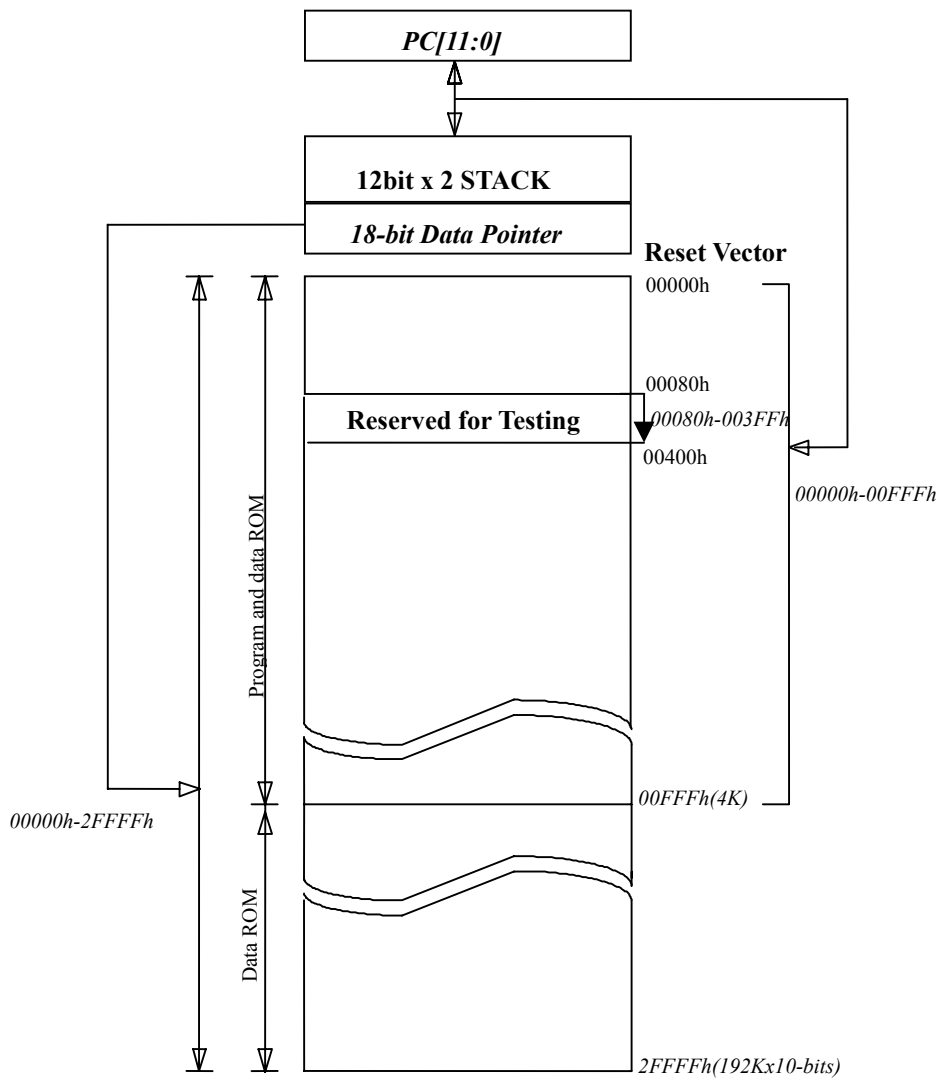


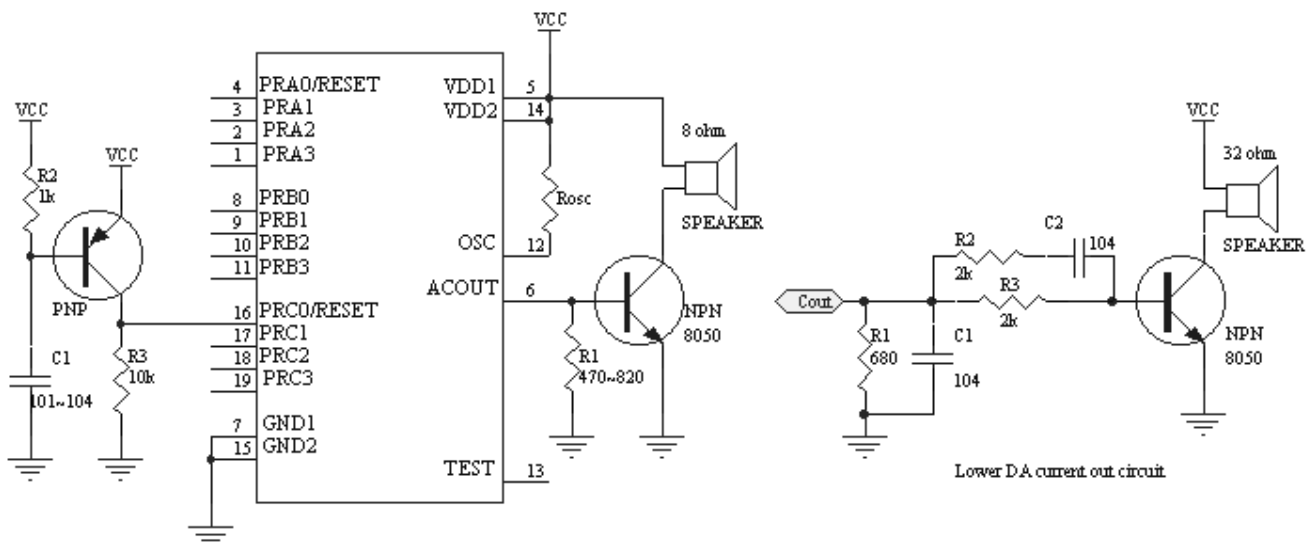
FIGURE 1.2 : External ROM Map of ASM6312C



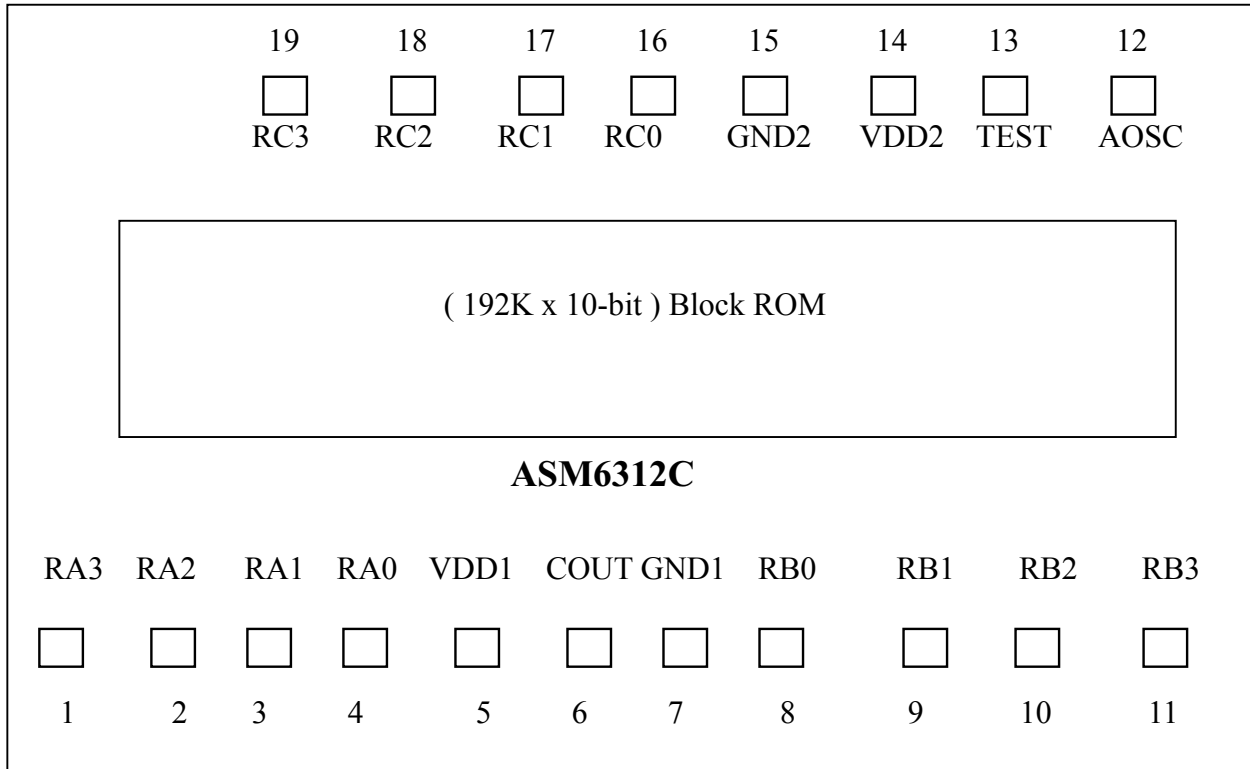
1.2 Pin-Out

| ASM6312C Pin-Out | | | |
|-------------------|-----|---------------|--|
| PRC1 | I | STI Std./O.D. | Input port with programmable strong pull-low or weak pull-low or fix-input-floating capability |
| PRC0/RESET | I | STI Std./O.D. | Input port with programmable strong pull-low or weak pull-low or fix-input-floating capability <i>Mask option selected as an external RESET pin with weak pull-low capability</i> |
| PRA3-1 | I/O | STI Std./O.D. | I/O port with programmable strong pull-low or weak pull-low or fix-input-floating capability Output type with standard or Open-Drain output |
| PRA0/RESET | I/O | STI Std./O.D. | I/O port with programmable strong pull-low or weak pull-low or fix-input-floating capability Output type with standard or Open-Drain output <i>Mask option selected as an external RESET pin with weak pull-low capability</i> |
| OSC | I | - | RM mode Oscillator input |
| VDD1 | I | - | First Power supply during operation |
| COUT | O | - | Current Output of Audio |
| GND1 | I | - | First Circuit Ground Potential |
| GND2 | I | - | Second Circuit Ground Potential |
| TEST | O | - | Enter Test Mode. (TEST = High) |
| VDD2 | I | - | Second Power supply during operation |
| PRB0-3 | O | Std./O.D. | Output type with standard or Open-Drain output |
| PRC2-3 | I | STI Std./O.D. | Input port with programmable strong pull-low or weak pull-low or fix-input-floating capability |

1.3 Application circuit



1.4 Bonding Diagram



| ASM6312C Pad Location | | | | Chip Size: X=1540+100 (um), Y=2850+100 (um) | | | |
|-----------------------|----------|---------|----------|---|----------|---------|----------|
| PAD # | PAD Name | X | Y | PAD # | PAD Name | X | Y |
| 1 | RA3 | -682.16 | -1307.72 | 11 | RB3 | 667.68 | -1307.72 |
| 2 | RA2 | -559.84 | -1307.72 | 12 | AOSC | 633.56 | 1339.04 |
| 3 | RA1 | -437.52 | -1307.72 | 13 | TEST | 432.48 | 1339.04 |
| 4 | RA0 | -315.2 | -1307.72 | 14 | VDD2 | 273.16 | 1339.04 |
| 5 | VDD1 | -191.28 | -1307.72 | 15 | GND2 | 134.68 | 1339.04 |
| 6 | COUT | 71.12 | -1307.72 | 16 | RC0 | -51.76 | 1339.04 |
| 7 | GND1 | 189.52 | -1307.72 | 17 | RC1 | -248.4 | 1339.04 |
| 8 | RB0 | 307.92 | -1307.72 | 18 | RC2 | -454.24 | 1339.04 |
| 9 | RB1 | 430.32 | -1307.72 | 19 | RC3 | -650.88 | 1339.04 |
| 10 | RB2 | 552.56 | -1307.72 | | | | |

1.5 DC Characteristics for ASM6312C

| SYMBOL | PARAMETER | | VDD | MIN. | TYP. | MAX. | UNIT | CONDITION |
|--------|----------------------------------|-----------|-----|------|------|------|------|---|
| VDD | OPERATING VOLTAGE | | | 2.4 | 3 | 5 | V | depending on Freq. |
| Isb | SUPPLY CURRENT | STANDBY | 3 | | | 1 | uA | 4MHz, RM in HALT Mode |
| | | | 5 | | | 1 | | |
| Iop | T | OPERATING | 3 | | 2 | | mA | 4MHz, RM IO Floating |
| | | | 5 | | 7 | | | |
| Iih | INPUT CURRENT /Internal pull low | | 3 | | 3 | | uA | 4MHz, RM in HALT Mode (IO Ports with weak pull-high pull-low) |
| | | | 5 | | 9 | | | |
| | | | 5 | | -5.2 | | | |
| Ioh | OUTPUT HIGH CURRENT | | 3 | | -3 | | mA | 4MHz, RM (IO ports) |
| | | | 5 | | -8 | | | |
| Iol | OUTPUT LOW CURRENT | | 3 | | 7 | | mA | 4MHz, RM (IO ports) |
| | | | 5 | | 20 | | | |
| dF/F | FREQUENCY STABILITY | | | -10 | | 10 | % | $\frac{F_{osc}(3v)-F_{osc}(2.4v)}{F_{osc}(3v)}$ |
| dF/F | Fosc VARIATION | | | -20 | | 20 | % | VDD=3V, Rosc=220k, 4MHz |

FIGURE 1.3 : Frequency Range for Rosc in RM mode

| | | | | |
|----------------------|------|------|------|------|
| Resistor(k ohm) | 330 | 220 | 200 | 150 |
| 3v Freq.(MHz) | 2.63 | 3.91 | 4.43 | 5.93 |

