



Process Sealed

UL US - E222871

SPECIFICATIONS

| | |
|-----------------------|-------------------------------------|
| Electrical Ratings | 5A @ 120 VAC, 28VDC 2A @ 250VAC |
| Electrical Life | 30,000 cycles typical |
| Contact Resistance | < 20 mΩ max initial @ 2-4VDC, 100mA |
| Dielectric Strength | 1500Vrms min |
| Insulation Resistance | > 100MΩ min |
| Operating Temperature | -40°C to 85°C |
| Storage Temperature | -40°C to 85°C |


MATERIALS ←RoHS COMPLIANT

| | |
|-----------------|---|
| Actuator | 6/6 Nylon, Glass Filled, Flame Retardant Heat Stabilized, UL94V-0 |
| Housing | 6/6 Nylon, Glass Filled, Flame Retardant Heat Stabilized, UL94V-0 |
| Support Bracket | Brass, Tin Plated |
| Contacts | Copper Alloy, Silver or Gold Plated |
| Terminals | Copper Alloy, Silver or Gold Plated |

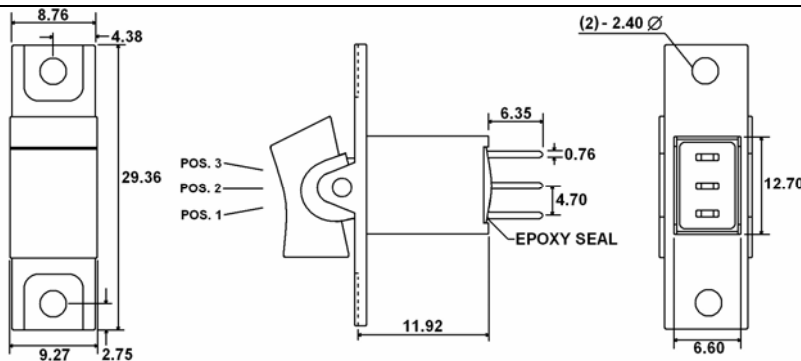
ORDERING INFORMATION

| | | | | | | | | |
|---|------------|----------|----------|------------|----------|--|----------|----------|
| 1. Series: ASR | ASR | 1 | 3 | R11 | 2 | | C | Q |
| 2. Number of Poles: 1 = SPDT 2 = DPDT 3 = 3PDT | | | | | | | | |
| 3. Switch Function: 1 = ON-NONE-ON 2 = ON-NONE-(ON) 3 = ON-OFF-ON 4 = (ON)-OFF-(ON) 5 = ON-OFF-(ON) 6 = ON-ON-ON ** See Three Way Wiring Section for Details | | | | | | | | |
| 4. Actuator: R11P / R11 = Rocker, PC Mount / Panel Mount R21P / R21 = Rocker, PC Mount / Panel Mount P13P / P13 = Paddle, PC Mount / Panel Mount P23P / P23 = Paddle, PC Mount / Panel Mount R15P = Rocker, PC Mount P43P = Paddle, PC Mount P47P = Paddle, PC Mount P48P = Paddle, PC Mount | | | | | | | | |
| 5. Actuator Color: 1 = White 4 = Orange 7 = Blue 2 = Black 5 = Yellow 8 = Brown 3 = Red 6 = Green 9 = Gray | | | | | | | | |
| 6. Actuator Marking Style: Blank = No Marking A, B, C, D, E, F, G | | | | | | | | |
| 7. Actuator Marking Color: Blank = No Marking, W = White (Standard), B = Black | | | | | | | | |
| 8. Terminals: B = Solder Lug, C = PC Pin, D = Quick Connect H = Horizontal Mount, Right Angle PC Pin; HS = Snap-in V = Vertical Mount, Right Angle PC Pin S20 = PC Pin with Support Bracket; V20 = Snap-in Support Bracket S25 = PC Pin with Support Bracket; V25 = Snap-in Support Bracket | | | | | | | | |
| 9. Contacts: Q = Silver Plated R = Gold Plated G = Gold over Silver Plated | | | | | | | | |

SWITCH FUNCTION

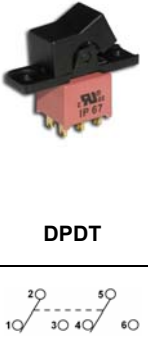


| Function | Toggle Position | | |
|------------------|-----------------|------|------|
| | | | |
| 1 | ON | NONE | ON |
| 2 | ON | NONE | (ON) |
| 3 | ON | OFF | ON |
| 4 | (ON) | OFF | (ON) |
| 5 | ON | OFF | (ON) |
| Terminals | 2-3 | --- | 2-1 |

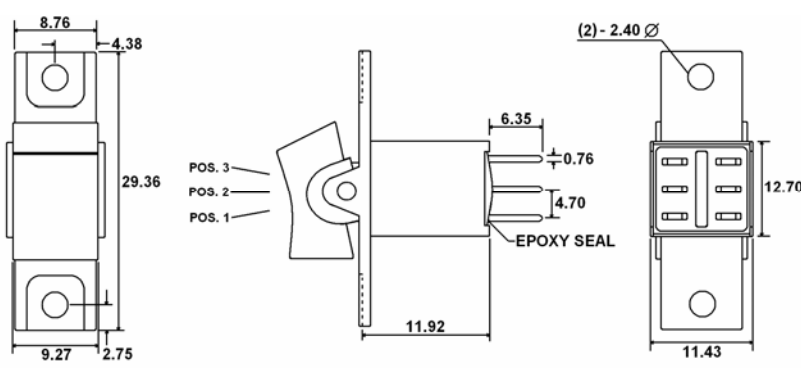


Dimensions: 8.76, 4.38, 29.36, 9.27, 2.75, 11.92, 6.35, 0.76, 4.70, 12.70, 6.60, (2) - 2.40 Ø.

Labels: POS. 3, POS. 2, POS. 1, EPOXY SEAL.

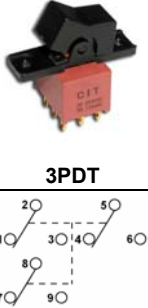


| Function | Toggle Position | | |
|------------------|-----------------|------------|------------|
| | | | |
| 1 | ON | NONE | ON |
| 2 | ON | NONE | (ON) |
| 3 | ON | OFF | ON |
| 4 | (ON) | OFF | (ON) |
| 5 | ON | OFF | (ON) |
| Terminals | 2-3 | --- | 2-1 |
| 6 | ON | ON | ON |
| Terminals | 2-3 5-6 | 2-3 5-4 | 2-1 5-4 |

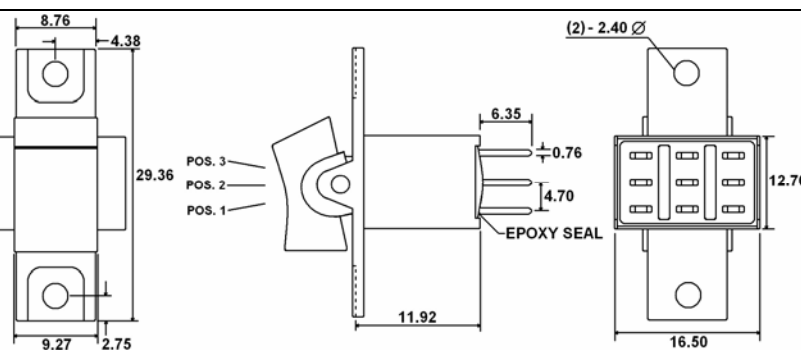


Dimensions: 8.76, 4.38, 29.36, 9.27, 2.75, 11.92, 6.35, 0.76, 4.70, 12.70, 11.43, (2) - 2.40 Ø.

Labels: POS. 3, POS. 2, POS. 1, EPOXY SEAL.



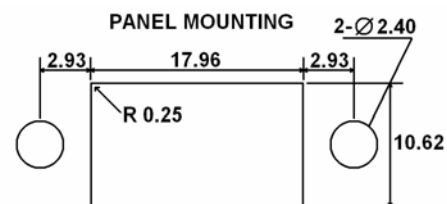
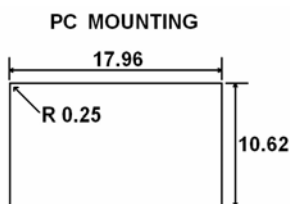
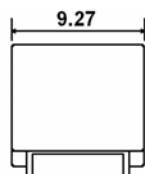
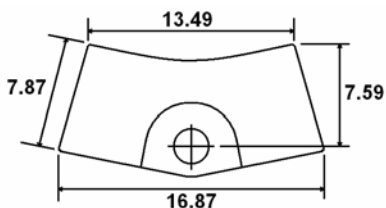
| Function | Toggle Position | | |
|------------------|-------------------|------|-------------------|
| | | | |
| 1 | ON | NONE | ON |
| 2 | ON | NONE | (ON) |
| 3 | ON | OFF | ON |
| 4 | (ON) | OFF | (ON) |
| 5 | ON | OFF | (ON) |
| Terminals | 2-3 5-6 8-9 | --- | 2-1 5-4 8-7 |



Dimensions: 8.76, 4.38, 29.36, 9.27, 2.75, 11.92, 6.35, 0.76, 4.70, 12.70, 16.50, (2) - 2.40 Ø.

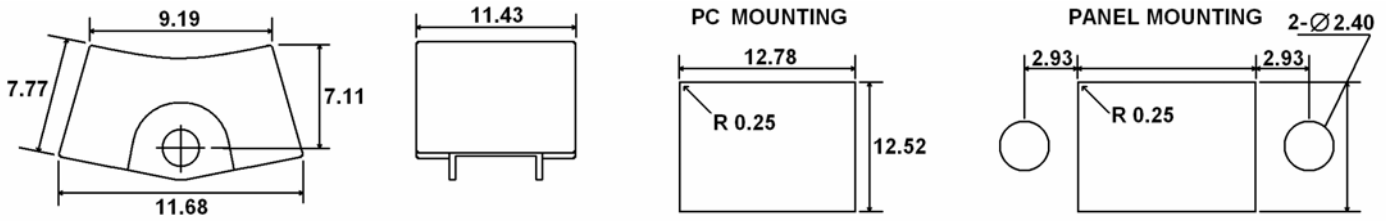
Labels: POS. 3, POS. 2, POS. 1, EPOXY SEAL.

**ACTUATOR OPTIONS (PC MOUNT / PANEL MOUNT)
 R11P / R11**

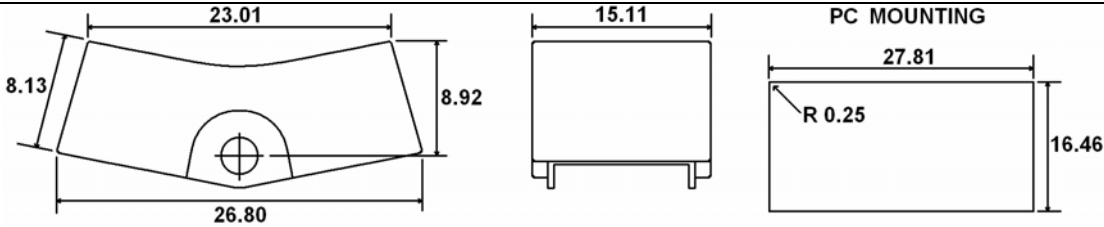


ACTUATOR OPTIONS (PC MOUNT / PANEL MOUNT)

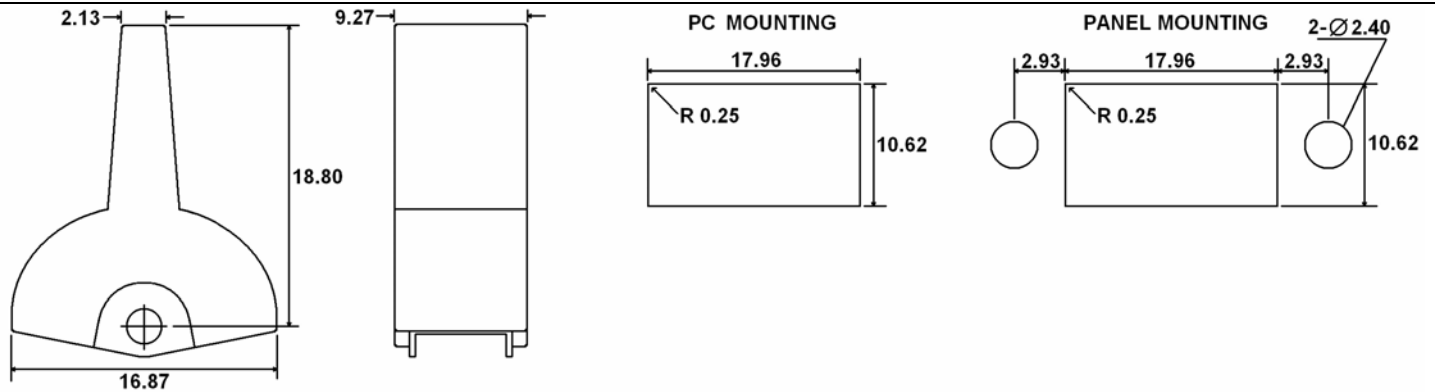
R21P / R21



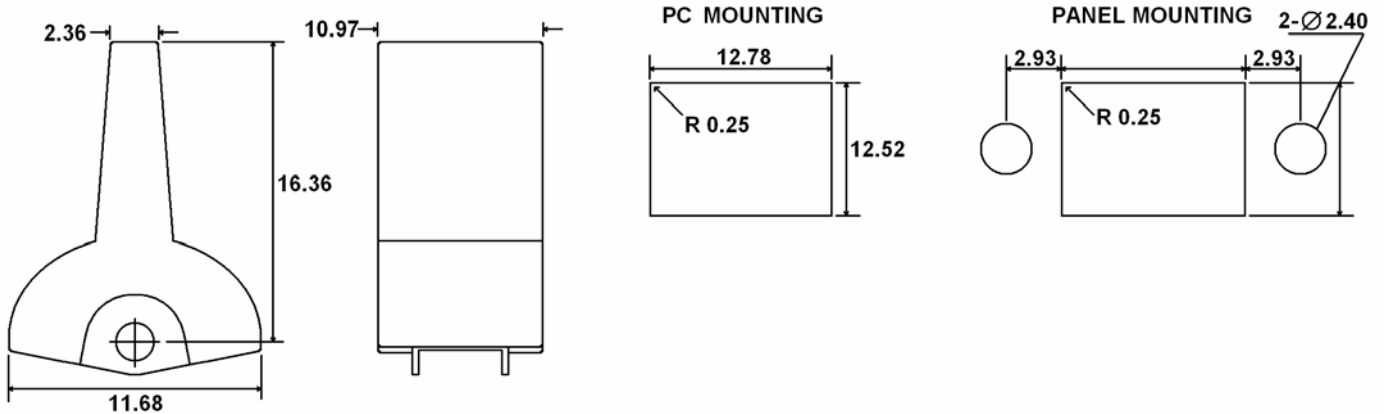
R15P



P13P / P13

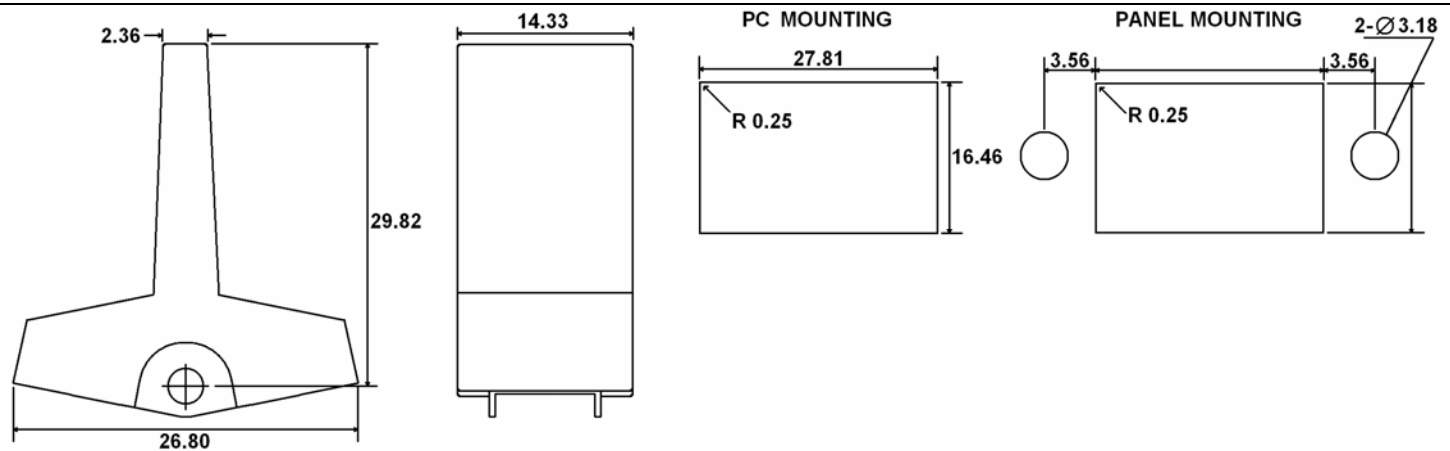


P23P / P23

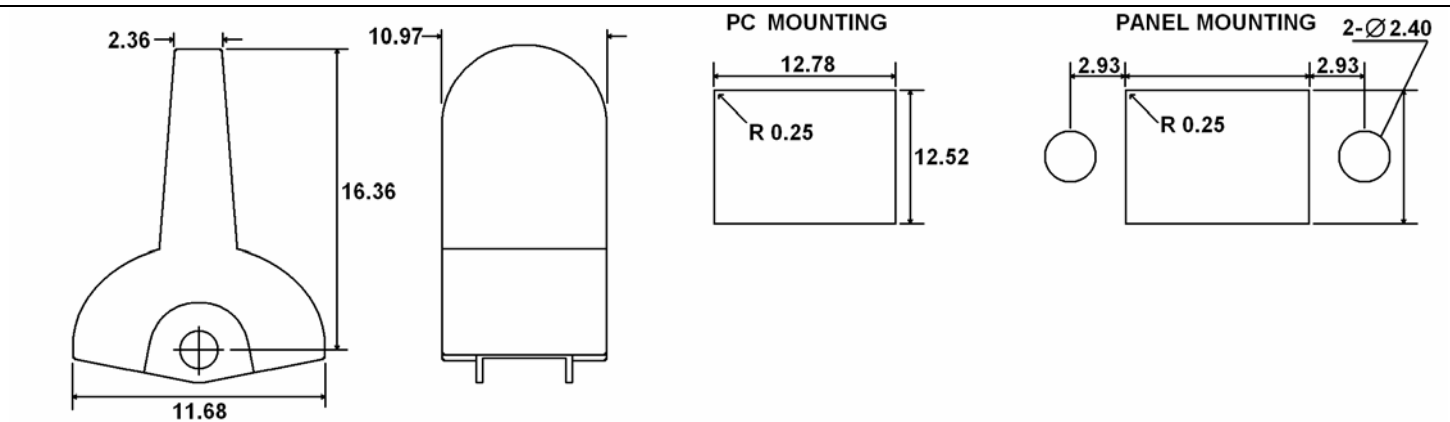


ACTUATOR OPTIONS (PANEL MOUNT / PC MOUNT)

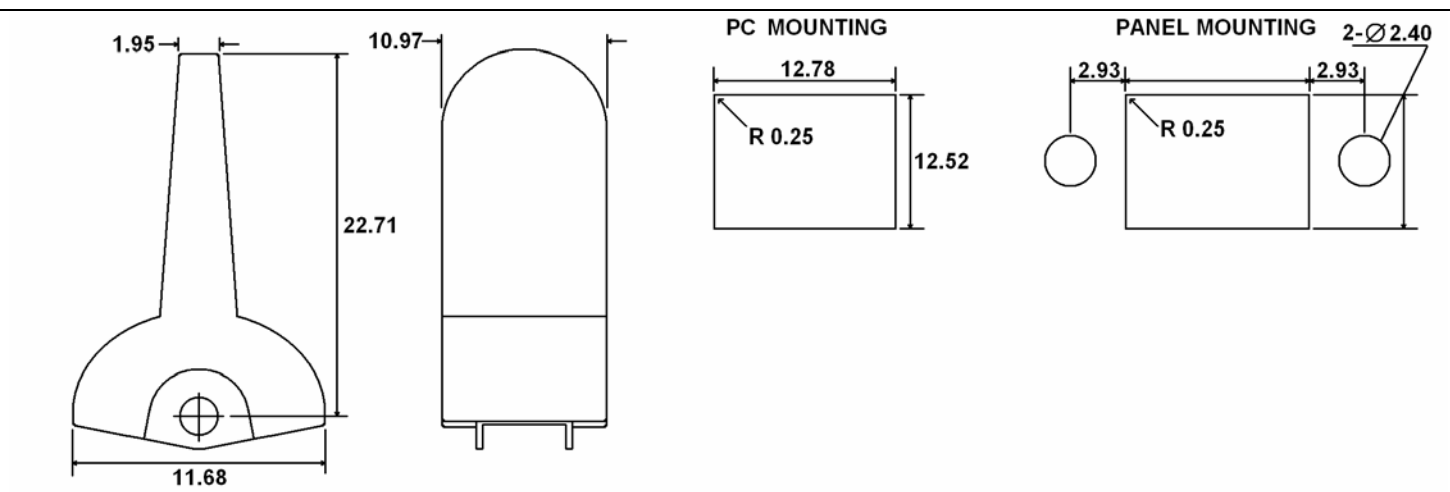
P43P



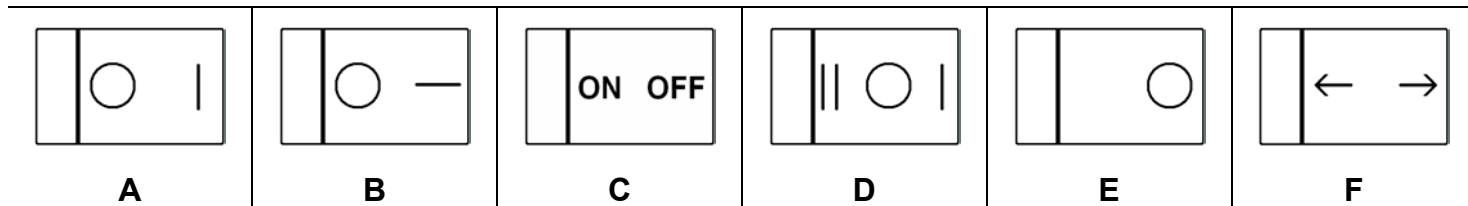
P47P



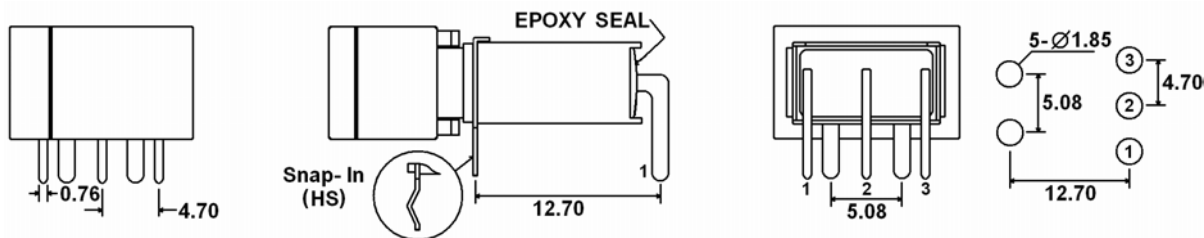
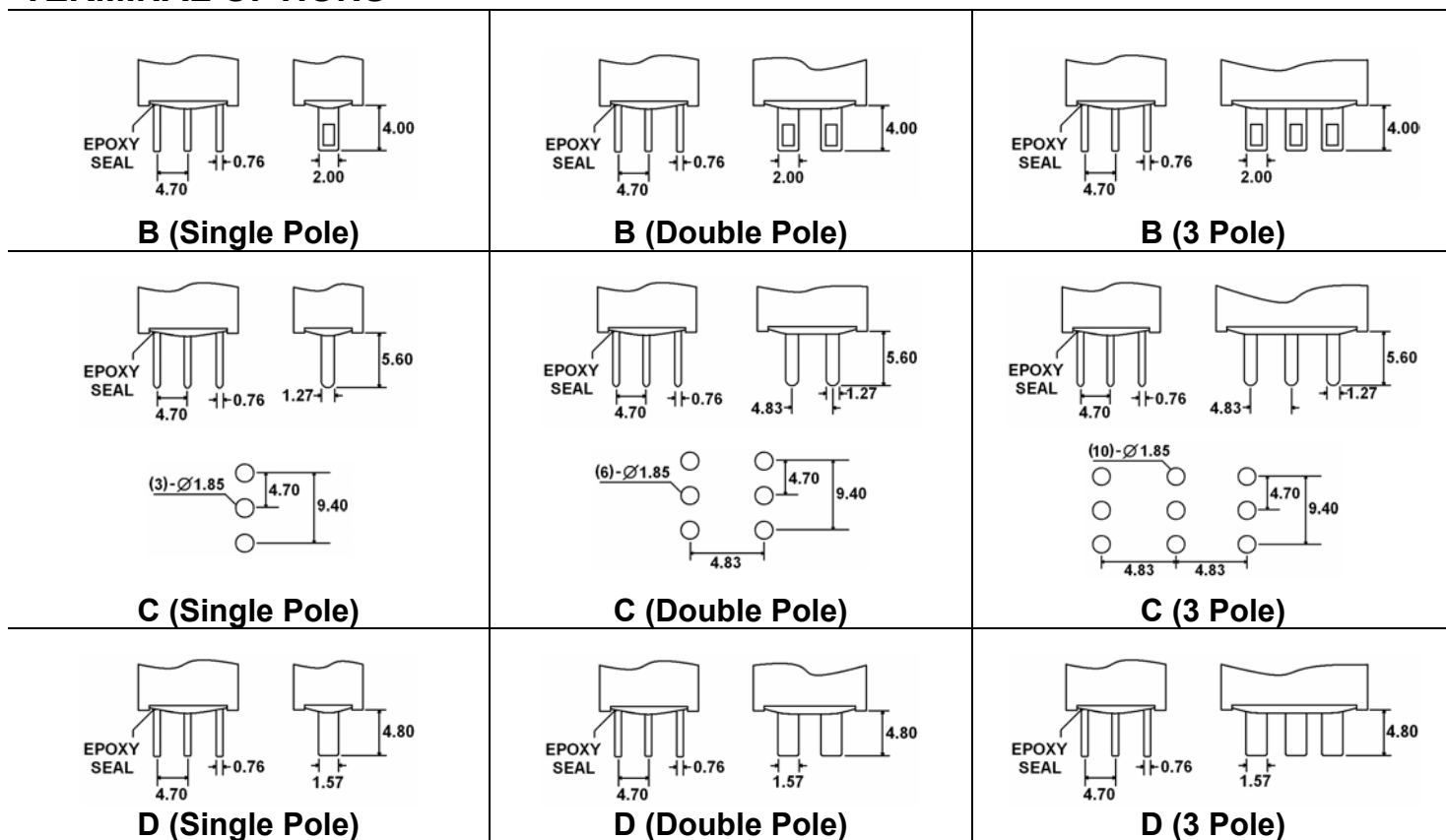
P48P



ACTUATOR MARKINGS

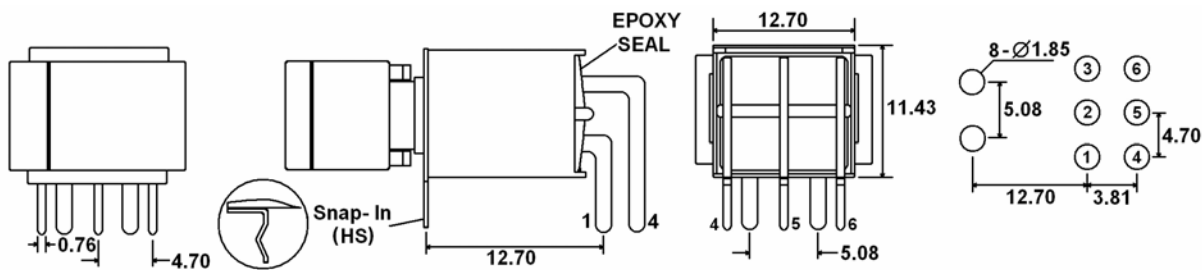


TERMINAL OPTIONS

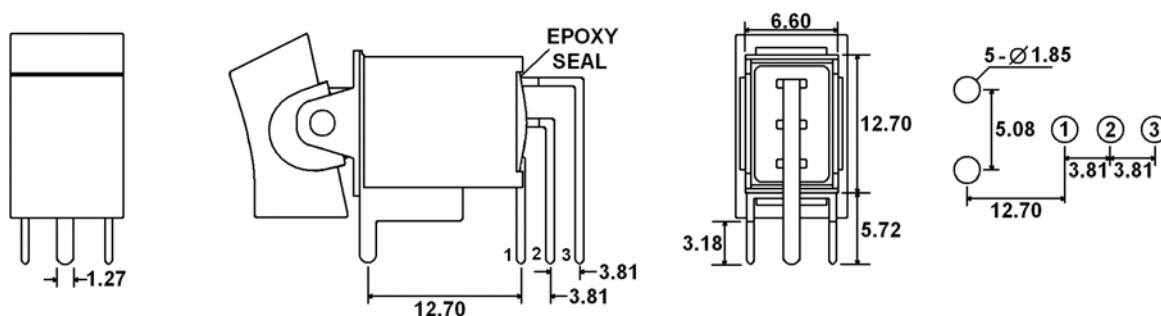


H (HS – Snap-in) = Horizontal Mount, Right Angle PC Pins (Single Pole)

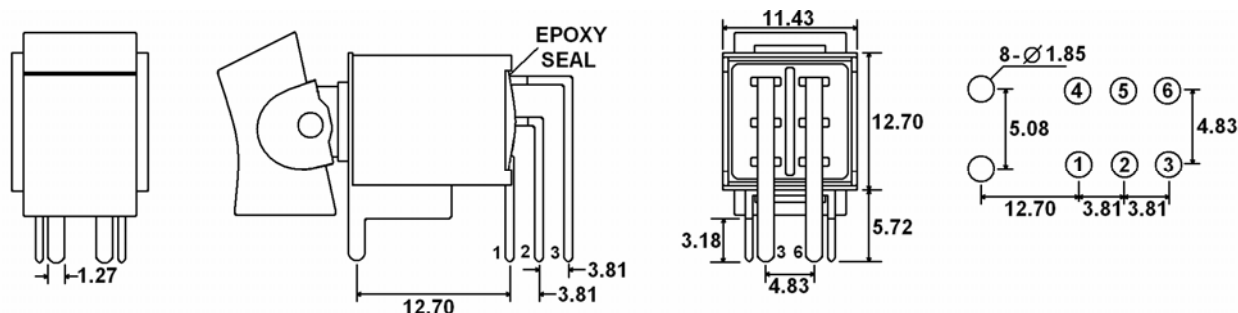
TERMINAL OPTIONS



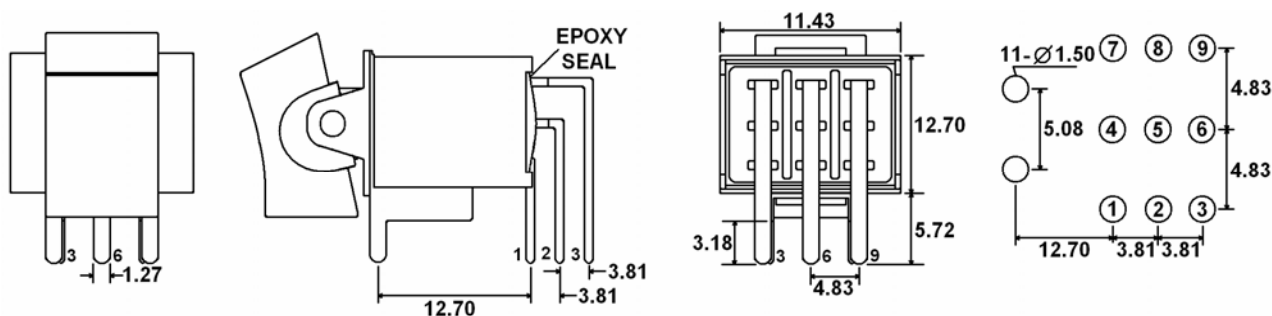
H (HS – Snap-in) = Horizontal Mount, Right Angle PC Pins (Double Pole)



V = Vertical Mount, Right Angle PC Pins (Single Pole)

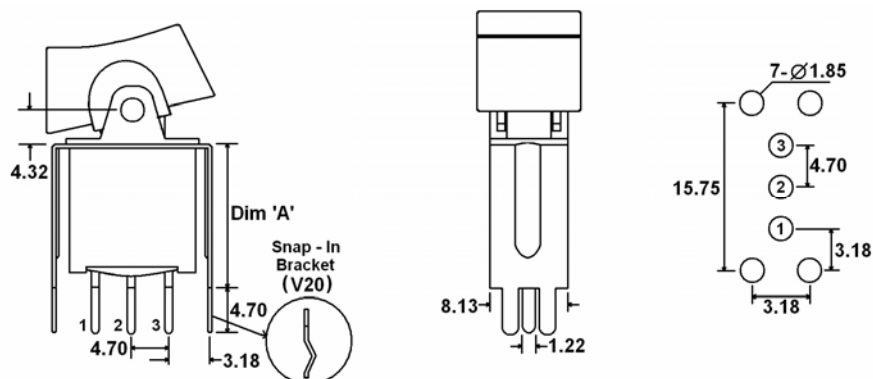


V = Vertical Mount, Right Angle PC Pins (Double Pole)



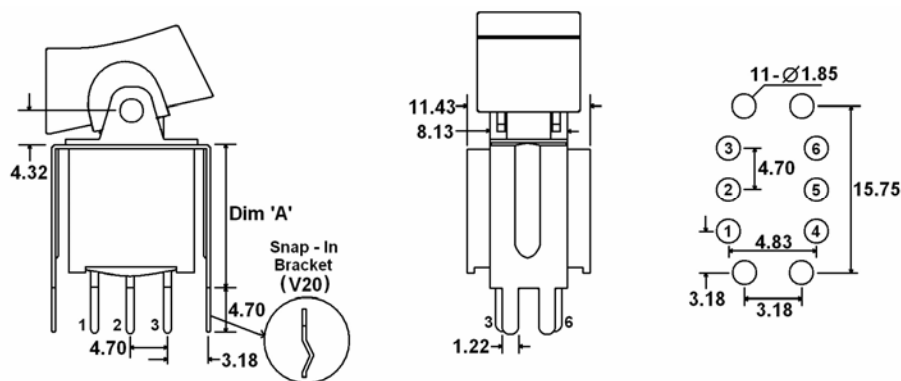
V = Vertical Mount, Right Angle PC Pins (Three Pole)

TERMINAL OPTIONS



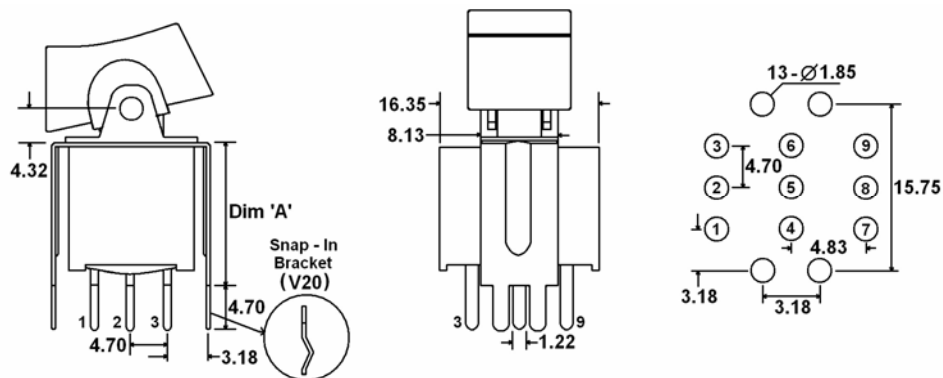
| Terminal Option | "A" Dimension |
|-----------------|---------------|
| S20-V20 | 11.68 |
| S25-V25 | 16.00 |

S20/S25 (V20/V25 – Snap-in Bracket) = PC Pins with Support Bracket (Single Pole)



| Terminal Option | "A" Dimension |
|-----------------|---------------|
| S20-V20 | 11.68 |
| S25-V25 | 16.00 |

S20/S25 (V20/V25 – Snap-in Bracket) = PC Pins with Support Bracket (Double Pole)



| Terminal Option | "A" Dimension |
|-----------------|---------------|
| S20-V20 | 11.68 |
| S25-V25 | 16.00 |

S20/S25 (V20/V25 – Snap-in Bracket) = PC Pins with Support Bracket (Three Pole)

CONTACT OPTIONS

| Designator | Contact Material | Terminal Material | Electrical Ratings |
|------------|--------------------------|--------------------------|--|
| Q | Silver Plating | Silver Plating | 5A @ 120VAC, 28VDC; 2A @ 250VAC |
| R | Gold over Nickel Plating | Gold over Nickel Plating | .4 VA max @ 20VAC or VDC max |
| G | Gold over Silver Plating | Gold over Silver Plating | .4 VA max @ 20VAC or VDC max or 5A @ 120VAC, 28VDC; 2A @ 250VAC |

THREE WAY WIRING DIAGRAM

