

TEMPERATURE COMPENSATED CRYSTAL OSCILLATOR



ASTX11
ASVTX11

3.2 X 2.5 X 1.0mm



RoHS
Compliant

ASTX-11, ASVTX-11

FEATURES:

- Compact and low in height.
- Low current consumption.
- Suitable for high-density SMT.
- Vc function corresponds to PLL circuits.
- IR reflow possible.

APPLICATIONS:

- Cellular and cordless phones.
- Standard OSC for exact equipment.
- Mobile communication equipment.
- Portable radio equipment and music player.

STANDARD SPECIFICATIONS:

PARAMETERS

| | |
|------------------------------------|-----------------------------------------------------------------------|
| ABRACON P/N | ASTX-11 Series or ASVTX-11 Series |
| Frequency Range | 13.000 MHz to 38.400 MHz |
| Standard Frequencies | 13.0 MHz, 14.4 MHz, 19.2 MHz, 19.68 MHz, 26.0 MHz, 33.6 MHz, 38.4 MHz |
| Frequency Stability $\Delta f/f_0$ | ± 2.5 ppm (- 30° C ~ + 75° C) |
| Operating Temperature | - 30° C to + 75° C |
| Storage Temperature | - 40° C to + 85° C |
| Supply Voltage (Vdd) | 2.4V ~ 3.0V (see option) |
| Frequency Adjustment Range | ± 8 ppm Min. |
| Supply Current (Icc) | 1.5mA Max/(13MHz~19.68MHz), 2.0mA Max/(>26MHz) |
| Output Voltage | 0.8 V p-p min. Clipped Sine Wave |
| Output Load | 10 k Ω // 10 pF |
| Start-up Time | 5.0msec Max. <14.400MHz, 3.5msec Max. >15.000MHz |
| Aging (first year) | ± 1.0 ppm / year max. |

OPTIONS & PART IDENTIFICATION:

ASTX or ASVTX - 11 - - Frequency -

| Vdd (V) | | Packaging | |
|---------|----------------|-----------|------------------------------------|
| A | 3.0 \pm 10% | Blank | Bulk |
| B | 2.8 \pm 10% | T | Tape and Reel 1,000 or 2,000pcs |
| C | 2.75 \pm 10% | | |
| D | 2.4 \pm 10% | | |



TEMPERATURE COMPENSATED CRYSTAL OSCILLATOR

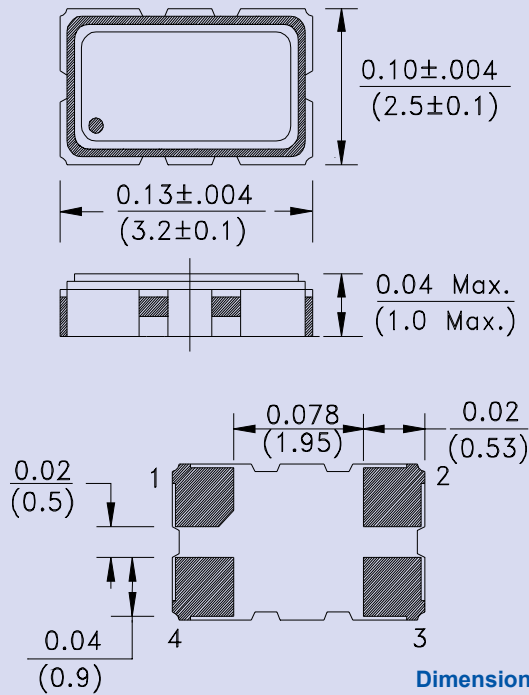


3.2 X 2.5 X 1.0mm

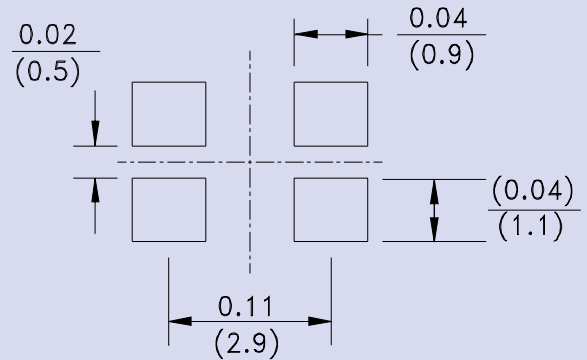
ASTX-11, ASVTX-11



OUTLINE DRAWING:



Recommended land pattern



Note: It is recommended to use an approximately 0.01uF bypass capacitor between PIN 2 and 4.

| PIN | ASVTX-11 | FUNCTION |
|-----|----------|----------|
| 1 | | Vcc |
| 2 | | GND |
| 3 | | Output |
| 4 | | Vdd |

| PIN | ASTX-11 | FUNCTION |
|-----|---------|----------|
| 1 | | GND |
| 2 | | GND |
| 3 | | Output |
| 4 | | Vdd |

TAPE & REEL:

