

# INVERTER SPEC

■ PRODUCT : CCFL BACKLIGHT INVERTER

■ MODEL NAME : AT-0104LG Rev.C

WRITTEN	CHECKED	APPROVAL

## 1. APPLICATION

This Document Specified The Detailed Product Requirements of  
Inverter AT-0104LG

## 2. SUITABLE LOAD

LCD MODULE : 10.4 ~ 14".1, 1CCFL LCD module .

(Applicable panel : HD - HT12X11, SAMSUNG 10.4~14.1"

UNIPAC 8.4~10.4", PVI 10.4" LCD MODULE etc.)

## 3. ELECTRICAL CHARACTERISTICS

### 1)Absolute Maximum Ratings

ITEM	SYMBOL	SPEC	UNIT	REMARKS
INPUT VOLTAGE1	Vin 1	10.8 ~ 13.2	V	
INPUT VOLTAGE2	Vin 2	4.8 ~ 5.2	V	
OPERATING TEMPERATURE	Top	0 ~ 50	℃	
STORAGE TEMPERATURE	Tstg	-30 ~ 80	℃	
RELATIVE HUMIDITY	RH	90	%	

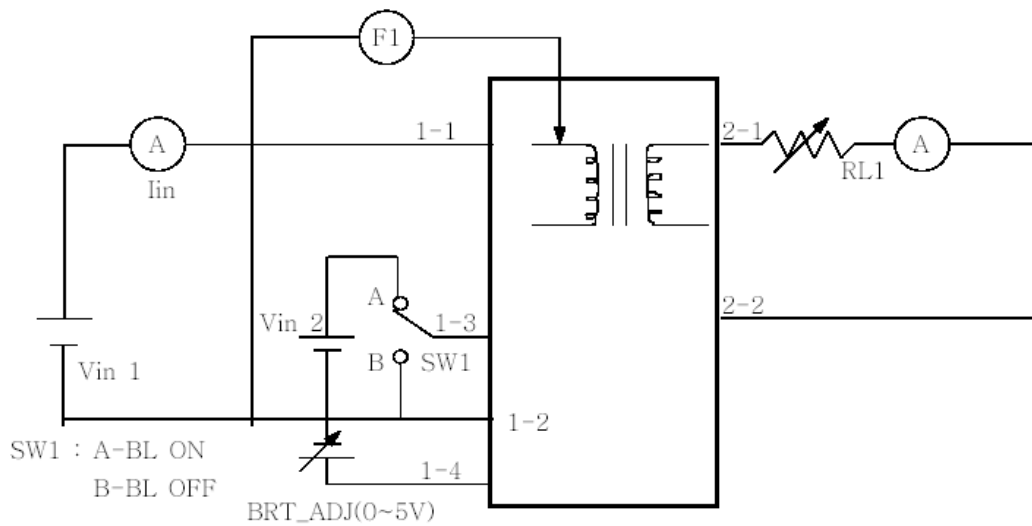
### 2)Control Signal

PIN NO	SYMBOL	STATUS	ACTION	REMARKS
CN1 #3	BKLT_ON	HIGH	LAMP(CCFL)-ON	2.0V~5.0V
		LOW	LAMP(CCFL)-OFF	0 ~ 0.3V

### 3)Output Characteristics

ITEM	SYM-BOL	CONDITION			SPECIFICATION			UNIT
		Vin1(V) (DC-IN)	BRT- ADJ	RL(k $\Omega$ ) (Ref)	MIN	TYP	MAX	
OUTPUT CURRENT	Io1 (max)	10.8~13.2	0V	90 $\pm$ 0.5	5.5	6.0	6.5	mArms
	Io1 (min)	10.8~13.2	5V	90 $\pm$ 0.5	3.0	3.5	4.0	
INPUT CURRENT	Iin	12	0V	90 $\pm$ 0.5	-	0.47	0.50	ADC
FREQUENCY	F1	12	0V	90 $\pm$ 0.5	45	55	65	KHz
DIMMING FREQUENCY	F_D	12	5V	90 $\pm$ 0.5	200	350	500	Hz

### 4)Test Circuit



## 4. INTERFACE

- 1) CN1 CONNECTOR : 53261-0590 (MOLEX)  
12505WR-05 (YEONHO)

PIN NO	SYMBOL	REMARK
1	DC-IN(V <sub>in</sub> )	DC INPUT POWER(10.8~13.2V)
3	BL ON/OFF	CCFL DRIVE SIGNAL
4	BRT_ADJ	0 ~ 5V
2	GND	GND
5	NC	No Connection

- 2) CN2 CONNECTOR : 20015WR-05A00(YEONHO)  
or 68174-0217(MOLEX)  
or SM02B-BHSS-1-TB(JST)

PIN NO	SYMBOL	REMARK
1	HOT	HIGH
2	COLD	LOW

## 5. APPEARANCE (UNIT:mm)

