

INVERTER SPEC

PRODUCT : CCFL BACKLIGHT INVERTER

MODEL NAME : AT-0150LG

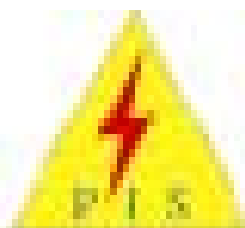
WRITTEN	CHECKED	APPROVAL

P.I.S Corporation

Head Office : Suite 402, Hwail Bldg, 802-5 Hoky e-3Dong,
Dongan-Gu, Anyang-City, Kyonggi-Do, 431-083, Korea

TEL : +82-31-459-6660

FAX : +82-31-459-6671



PIS Corp.
Power Inverter Solution

1. APPLICATION

This Document Specified The Detailed Product Requirements of Inverter AT-0150LG

2. SUITABLE LOAD

LCD MODULE : LG 15" 2LAMP TFT LCD

3. ELECTRICAL CHARACTERISTICS

1) Absolute Maximum Ratings

ITEM	SYMBOL	SPEC	UNIT	REMARKS
INPUT VOLTAGE1	Vin 1	11.0 ~ 13.0	V	
INPUT VOLTAGE2	Vin 2	4.8 ~ 5.2	V	
OPERATING TEMPERATURE	Top	0 ~ 50		
STORAGE TEMPERATURE	Tstg	-30 ~ 80		
RELATIVE HUMIDITY	RH	90	%	

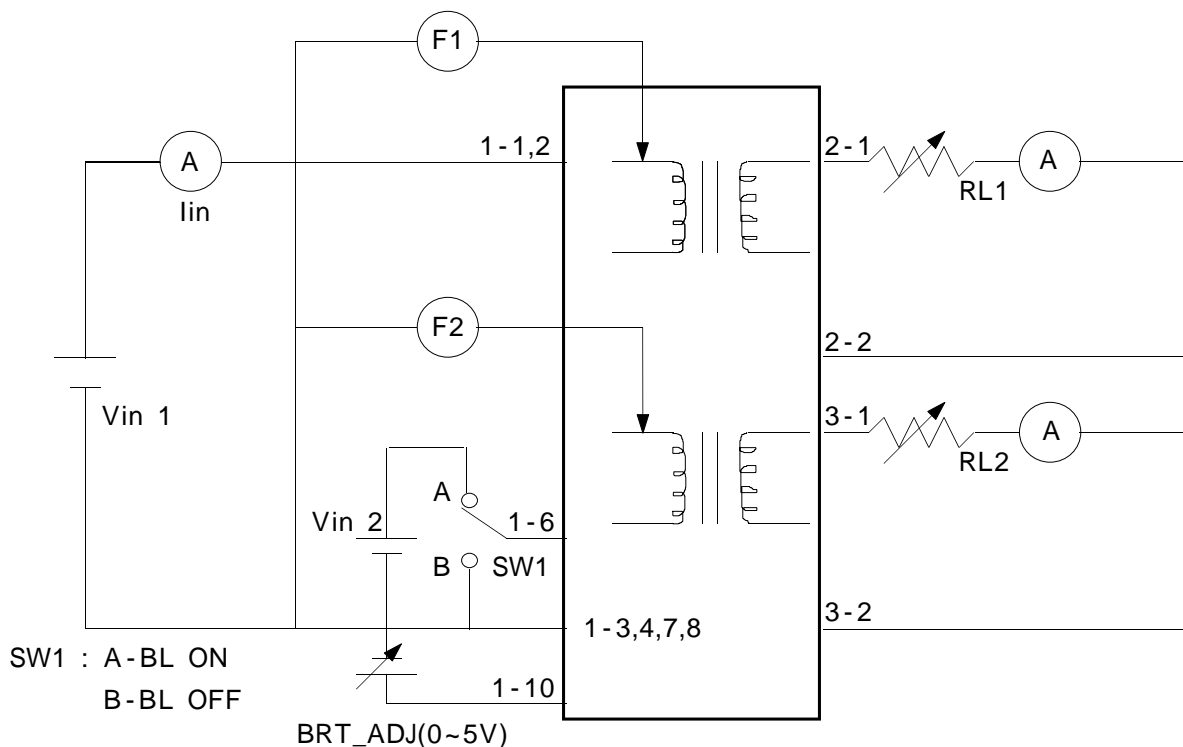
2) Control Signal

PIN NO	SYMBOL	STATUS	ACTION	REMARKS
CN1 #6	BKLT_ON	HIGH	LAMP(CCFL)-ON	2.0V~5.0V
		LOW	LAMP(CCFL)-OFF	0 ~ 0.3V

3) Output Characteristics

ITEM	SYMB OL	CONDITION			SPECIFICATION			UNIT
		Vin1(V) (DC-IN)	BRT- ADJ	RL(kΩ) (Ref)	MIN	TYP	MAX	
OUTPUT CURRENT	Io1 (max)	11~13	0V	80±0.5	7.0	8.0	9.0	mArms
	Io1 (min)	11~13	5V	80±0.5	2.0	3.0	4.0	
	Io2 (max)	11~13	0V	80±0.5	7.0	8.0	9.0	
	Io2 (min)	11~13	5V	80±0.5	2.0	3.0	4.0	
INPUT CURRENT	Iin	12	0V	80±0.5	0.8	1.0	1.2	ADC
FREQUENCY	F1	12	0V	80±0.5	40	50	60	KHz
FREQUENCY	F2	12	0V	80±0.5	40	50	60	KHz
DIMMING FREQUENCY	F_D	12	5V	80±0.5	100	150	200	Hz

4) Test Circuit



4. INTERFACE

- 1) CN1 CONNECTOR : 12505WR-10(YEONHO)
or 53261-1090(MOLEX)

PIN NO	SYMBOL	REMARK
1,2	DC-IN(Vin)	DC INPUT POWER(12V)
5,9	N.C	NO CONNECTION
6	BL ON/OFF	CCFL DRIVE SIGNAL
10	BRT_ADJ	0 ~ 5V
3,4,7,8	GND	GND

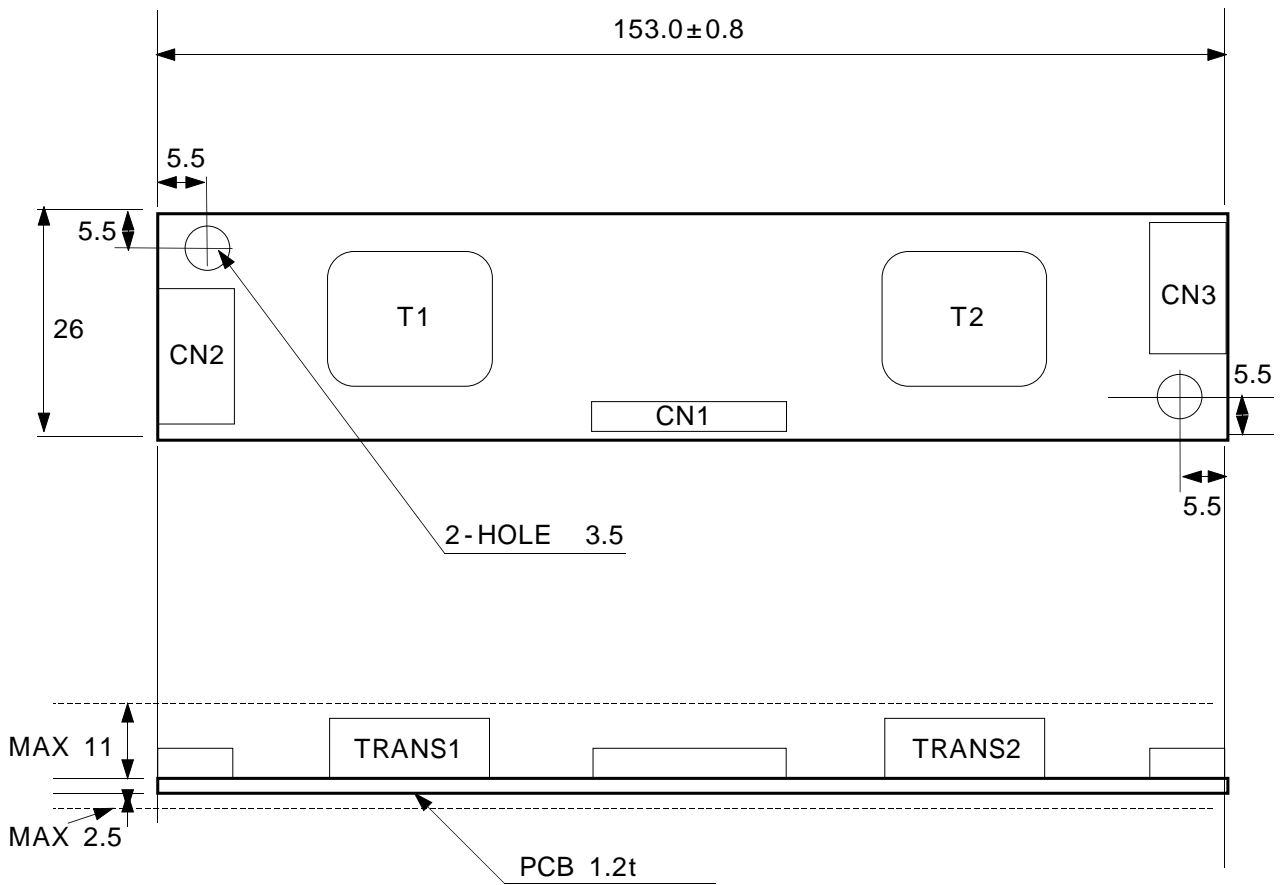
- 2) CN2 CONNECTOR : 20015WR-05A00(YEONHO)
or 68174-0217(MOLEX)

PIN NO	SYMBOL	REMARK
1	HOT	HIGH
2	COLD	LOW

- 3) CN3 CONNECTOR : 20015WR-05A00(YEONHO)
or 68174-0217(MOLEX)

PIN NO	SYMBOL	REMARK
1	HOT	HIGH
2	COLD	LOW

5. APPEARANCE (UNIT:mm)



TOLERANCE : ± 0.3m