

# AT-240160D

•240 x 160 dots

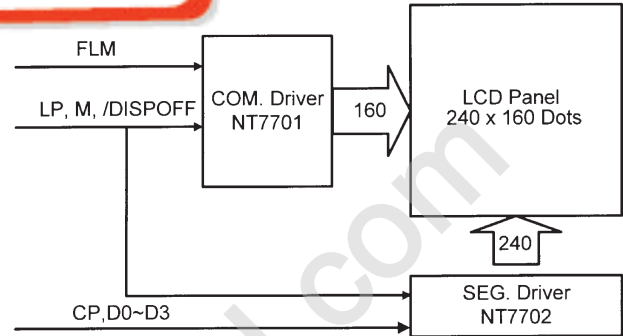
1/160 Duty

## FEATURE

- 1.Construction : FSTN LCD, TAB IC and FPC
- 2.Option : EL backlight, Touch Panel.
- 3.Common Driver is NT7701 and Segment is NT7702.
- 4.5V or 3.3V for driver . LCD bias voltage is supplied by end user.
- 5.Normal / Extended temperature type

液晶之父 电话: 020-33819057  
[Http://www.lcdfriends.com](http://www.lcdfriends.com)

## BLOCK DIAGRAM

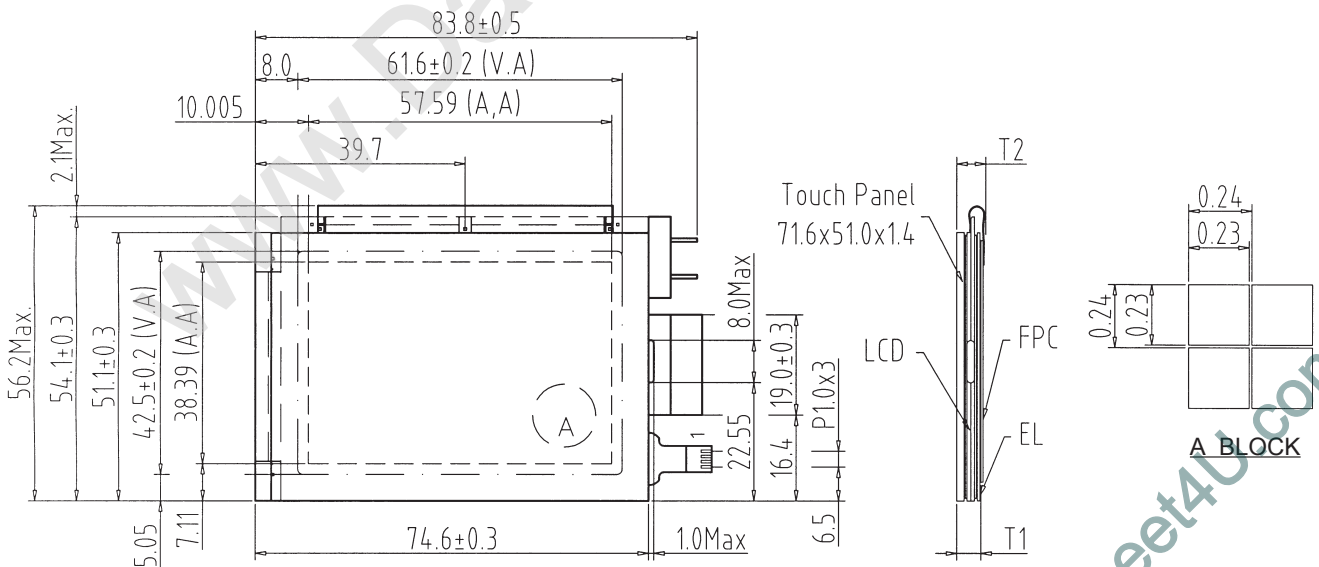


## ELECTRICAL CHARACTERISTICS

Parameter	Symbol	Condition	Typ.Value	Unit.
LCD Driving Voltage	VD-V5	25°C	19.5	V
Supply Current	IDD	VDD=5V	1	mA

## INTERFACE

1	2	3	4	5	6	7	8	9
NC	D0	D1	D2	D3	V2	V3	CP	/DISPOFF
10	11	12	13	14	15	16	17	18
M	VSS	LP	VSS	FLM	VDD	V0	V1	V4



### THICKNESS:

VERSION	T1	T2
NO BACKLIGHT	1.9 ± 0.3	2.5Max
EL BACKLIGHT	2.5 ± 0.3	3.6Max
Touch Panel	4.0 ± 0.3	4.7Max

### Connector

CN1: Molex: 52207-1890  
 AMP: 1-487952-8