

Low Noise, 300mA CMOS LDO Regulator

Features

- SOT-23-5, SOT-23-3 and SOT89 Packages.
- Low Dropout Voltage : 350mV.
- Low Output Noise.
- Low Quiescent Current : 90 μ A.
- Guaranteed 300mA Output Current.
- Fixed Output Voltage : 1.5V, 1.8V, 1.9V, 2.5V, 2.8V, 3.0V, 3.1V, 3.3V, 4.2V and 5.0V.
- Built-In Current Limit.
- Built-In Thermal Shutdown.
- Built-In LDO ON/OFF Control.

Applications

- Cellular Phones
- Wireless Devices
- Portable Electronics
- Battery Powered Systems

General Description

The AT1203 is an ultra-low noise, low dropout voltage, low quiescent current CMOS LDO, capable of delivering up to 300mA.

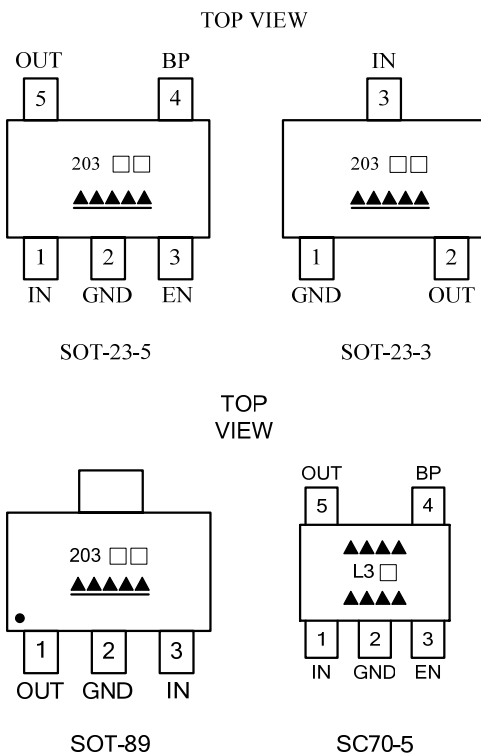
This LDO provides factory preset 1.5V, 1.8V, 1.9V, 2.5V, 2.8V, 3.0V, 3.1V, 3.3V, 4.2V and 5.0V fixed output voltage.

That is ideally suited for input powered (2.5V~5.5V) from Li-Ion, NiCd, NiMH, Alkaline battery or USB-Base power system.

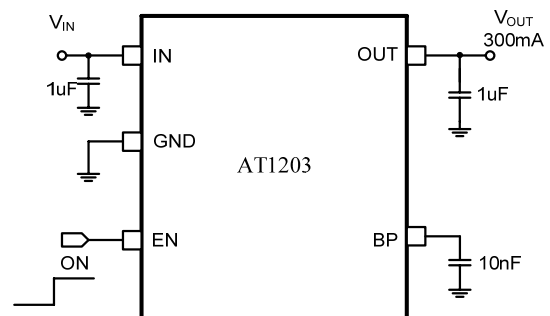
Designed with an internal P-channel MOSFET pass elements maintain ultra-low supply current throughout the whole entire operating range.

The AT1203 is protected with current limit, ON/OFF control and thermal shutdown.

Pin Configuration



Typical Application Circuit





Ordering Information

Part Number	Package (Green)	Marking	REMARK
AT1203-18E_GRE	SC-70-5	▲▲▲▲ L3□ ▲▲▲▲	
AT1203-25E_GRE	SC-70-5		
AT1203-28E_GRE	SC-70-5		
AT1203-30E_GRE	SC-70-5		
AT1203-31E_GRE	SC-70-5		
AT1203-15U_GRE	SOT-23-3	203□□ ▲▲▲▲▲▲	
AT1203-18U_GRE	SOT-23-3		
AT1203-25U_GRE	SOT-23-3		
AT1203-28U_GRE	SOT-23-3		
AT1203-30U_GRE	SOT-23-3		
AT1203-31U_GRE	SOT-23-3		
AT1203-18X_GRE	SOT-23-5	203□□ ▲▲▲▲▲▲	OBSOLETE
AT1203-25X_GRE	SOT-23-5		
AT1203-27X_GRE	SOT-23-5		
AT1203-28X_GRE	SOT-23-5		
AT1203-30X_GRE	SOT-23-5		
AT1203-31X_GRE	SOT-23-5		
AT1203-33X_GRE	SOT-23-5		
AT1203-42X_GRE	SOT-23-5		
AT1203-18C_GRE	SOT-89	203□□ ▲▲▲▲▲▲	
AT1203-33C_GRE	SOT-89		

▲▲▲▲, ▲▲▲▲▲▲: Date Code

□□, □ : Output Voltage

* For marking more information, contact our sales representative directly