

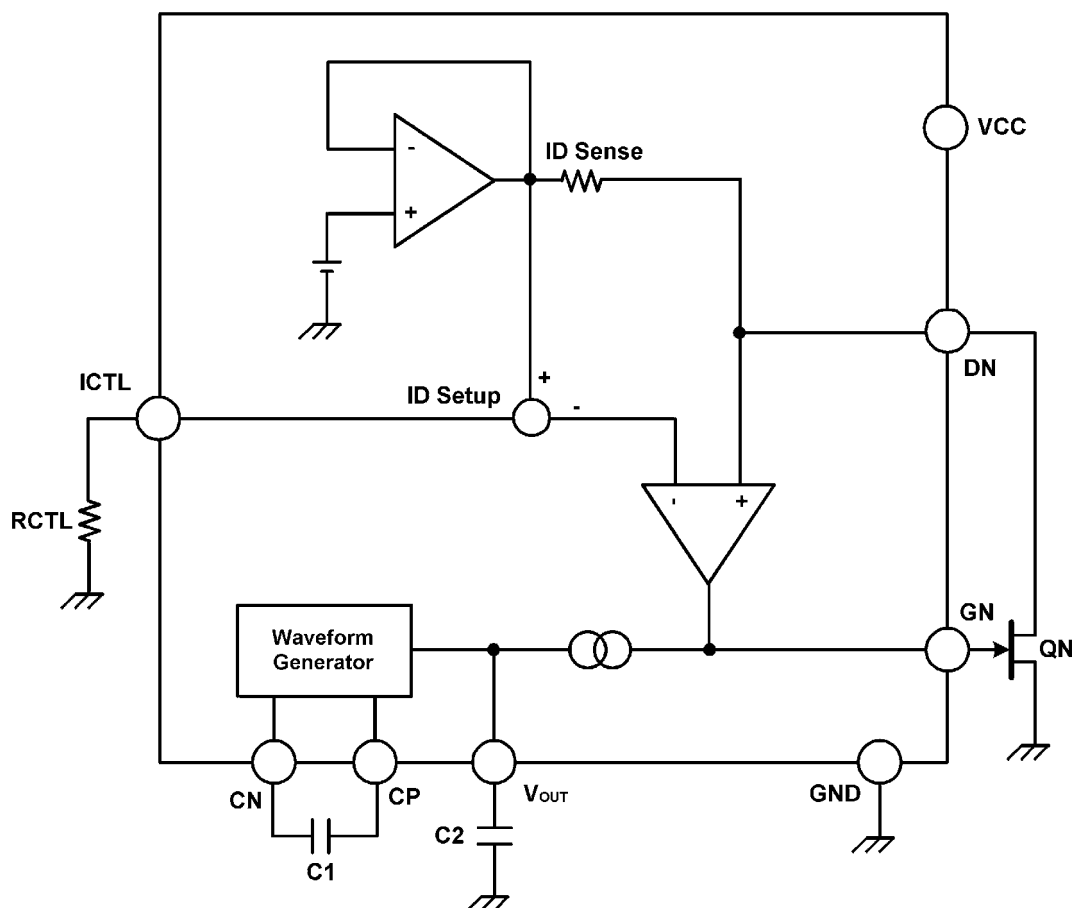
Features

- Provides bias for GaAs and HEMT FETs
- Drives up to four FETs
- Dynamic FET protection
- Drain current set by external resistor
- Regulated negative rail generator requires only 2 external capacitors
- Choice in drain voltage
- Wide supply voltage range
- SSOP surface mount package

Applications

- Satellite receiver LNBS
- Private mobile radio (PMR)
- Cellular telephones

Block Diagram

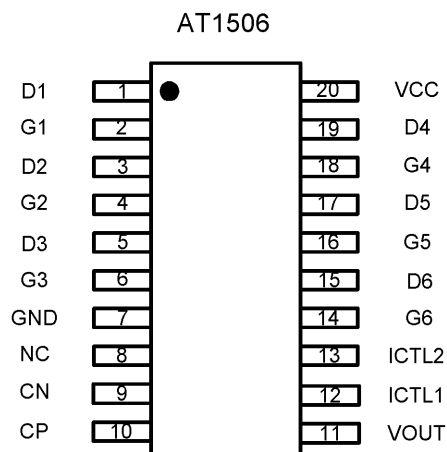


Aimtron reserves the right without notice to change this circuitry and specifications.

Pin Descriptions

Pin No.	Pin name	Function
1	D1	1st Drain output voltage Pin
2	G1	1st Gate output voltage Pin
3	D2	2nd Drain output voltage Pin
4	G2	2nd Gate output voltage Pin
5	D3	3rd Drain output voltage Pin
6	G3	3rd Gate output voltage Pin
7	GND	Ground Pin
8	NC	No connect Pin
9	CN	Negative OSC output Pin
10	CP	Positive OSC output Pin
11	VOUT	Negative voltage output Pin
12	ICTL1	VD1/VD2/VD3 Current set Resistor connect Pin
13	ICTL2	VD4/VD5/VD6 Current set Resistor connect Pin
14	G6	6th Gate output voltage Pin
15	D6	6th Drain output Pin
16	G5	5th Gate output voltage Pin
17	D5	5th Drain output Pin
18	G4	4th Gate output voltage Pin
19	D4	4th Drain output Pin
20	VCC	Supply voltage Pin

Pin Configuration



Ordering Information

Part number	Package	Marking
AT1506R	SSOP20	AT1506R
AT1506R_GRE	SSOP20,Green	AT1506R, date code with one bottom line

Absolute maximum ratings (Ta = 25°C)

Parameter	Symbol	Limits	unit
Power supply voltage	V _{CC}	-0.6~15	V
Supply Current	I _{CC}	100	mA
Drain Current	V _D	0~15	mA
Operating temperature	T _{opr}	-40~+70	°C
Storage temperature	T _{stg}	-50~+85	°C
Power dissipation	P _d	500	mW

Recommended operating conditions (Ta = 25°C)

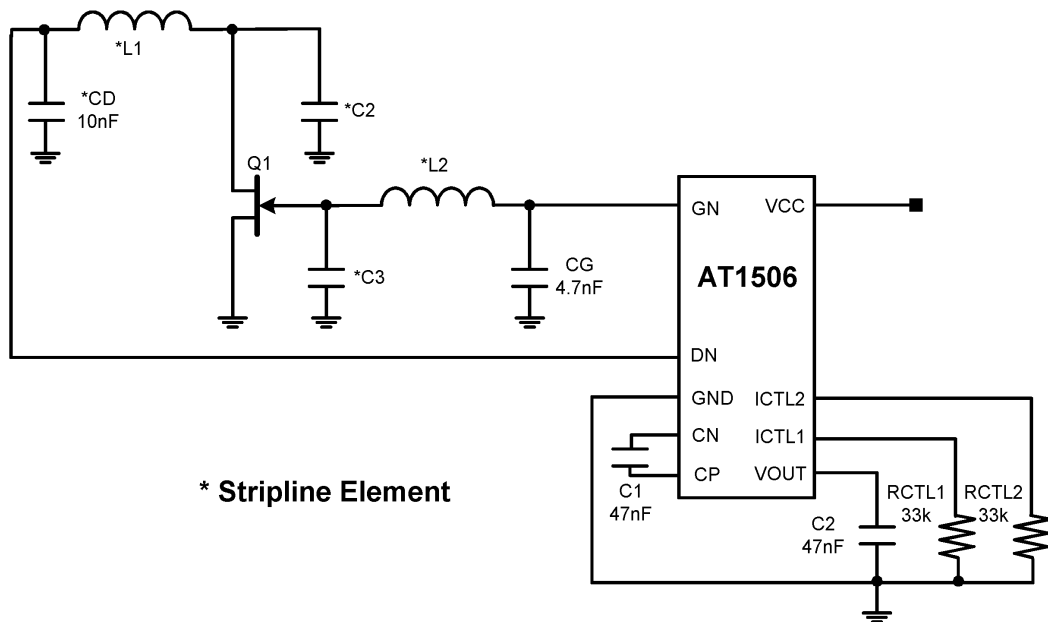
Parameter	Symbol	Limits	unit
Power supply voltage	V _{CC}	5~12	V

Electrical characteristics

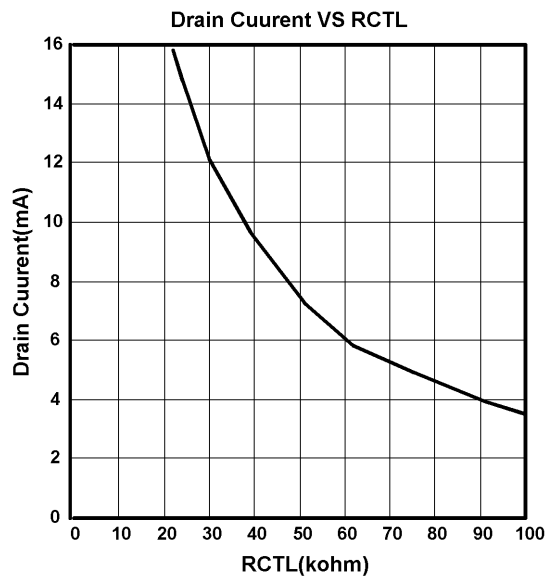
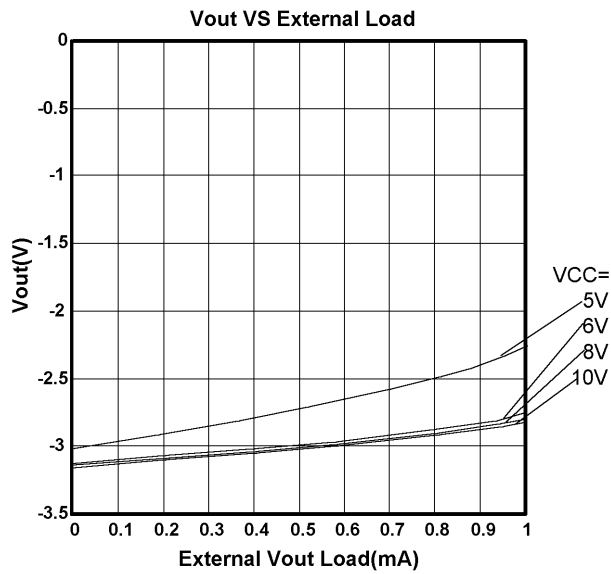
(Unless otherwise stated, Ta=25°C, V_{CC}=5V, I_D=10mA, R_{CTL1}=33kΩ, R_{CTL2}=33kΩ)

Parameter	Symbol	Min.	Typ.	Max.	Unit	Conditions
Supply Voltage	V _{CC}	5	--	12	V	
Supply Current	I _{CC}	--	--	10	mA	I _{D1} to I _{D6} =0
		--	--	50	mA	I _{D1} to I _{D6} =10mA
Negative Voltage	V _{OUT}	-3.5	-3	-2	V	I _{OUT} = 0
		--	--	-2	V	I _{OUT} = -200μA
Drain Output Noise Voltage	E _{ND}	--	--	0.02	V _{PP}	C _G =4.7nF, C _D =10nF
Gate Output Noise Voltage	E _{NG}	--	--	0.005	V _{PP}	C _G =4.7nF, C _D =10nF
Oscillator Freq.	f _o	200	350	800	kHz	
DRAIN						
Drain Current	I _D	8	10	12	mA	
Drain Current Charge with V _{CC}	ΔI _{DV}	--	0.02	--	%/V	V _{CC} =5 to 12V
Drain Current Charge with T _i	ΔI _{DT}	--	0.05	--	%/°C	T _i =-40 to +70°C
Drain Voltage	V _D	2	2.2	2.4	V	
Drain Voltage Charge with V _{CC}	ΔV _{DV}	--	0.5	--	%/V	V _{CC} =5 to 12V
Drain Voltage Charge with T _i	ΔV _{DT}	--	50	--	ppm	T _i =-40 to +70°C
GATE						
Gate Output Current Range	I _{GO}	-30	--	2000	μA	
Gate Output Low Voltage	V _{OL}	-3.5	--	-2	V	I _{D1} to I _{D6} =12mA I _{G1} to I _{G6} =0
		-3.5	--	-2	V	I _{D1} to I _{D6} =12mA I _{G1} to I _{G6} = -10mA
Gate Output High Voltage	V _{OH}	0	--	1	V	I _{D1} to I _{D6} = 8mA I _{G1} to I _{G6} = 0

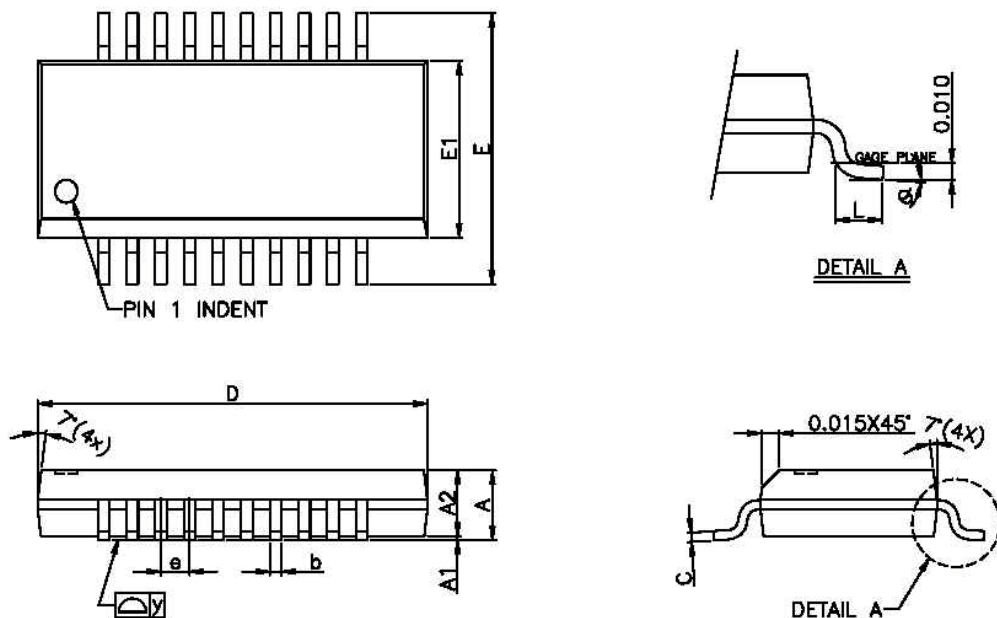
Typical Application Circuit



Typical Characteristics



Package Outlines : 16-pin SSOP



SYMBOL	MILLIMETERS			INCHES		
	MIN	TYP	MAX	MIN	TYP	MAX
A	1.47	1.60	1.73	0.058	0.063	0.068
A1	0.10	-	0.25	0.004	-	0.010
A2	1.37	1.45	1.52	0.054	0.057	0.060
b	0.23	0.25	0.36	0.009	0.010	0.014
C	0.19	0.20	0.25	0.0075	0.008	0.0098
D	8.53	8.64	8.74	0.336	0.340	0.344
E	5.79	5.99	6.20	0.228	0.236	0.244
E1	3.81	3.91	3.99	0.150	0.154	0.157
L	0.38	0.71	1.27	0.015	0.028	0.050
e	-	0.64	-	-	0.025	-
y	-	-	0.076	-	-	0.003
θ	0°		8°	0°		8°