

Features

- Provides bias for GaAs and HEMT FETs
- Drives up to 3 FETs with Dynamic FET protection
- Regulated negative rail generator requires only 2 external capacitors
- Drain current set by external resistor
- Choice in drain voltage
- Wide supply voltage range
- Polarisation switch for LNBS - supporting zero volt gate switching topology
- 22kHz tone detection for band switching
- Compliant with ASTRA control specifications
- SSOP-20 surface mount package

Applications

- Satellite receiver LNBS
- Private mobile radio (PMR)
- Cellular telephones

Description

The AT1512 includes bias circuits to drive up to 3 external FETs. A control input to the device selects either one of two FETs as operational using 0V gate switching topology, the third FET is permanently active. This feature is particularly used as an LNB polarisation switch. Also specific to LNB applications is the enhanced 22kHz tone detection and logic output feature which is used to enable high and low band frequency switching. The detector has been specifically designed to reject interference such as low frequency signals and DiSEqC™ tone bursts - without the use of additional external components.

Drain current setting of the AT1512 is user selectable over the range from 0 to 15mA, this is achieved with the addition of a single resistor. The series also offers the choice of FET drain voltage, the AT1512 gives 2V.

These devices are unconditionally stable over the full working temperature with the FETs in place, subject to the inclusion of the recommended gate and drain capacitors. These ensure RF stability and minimal injected noise.

It is possible to use less than the devices full complement of FET bias controls, unused drain and gate connections can be left open circuit without affecting operation of the remaining bias circuits.

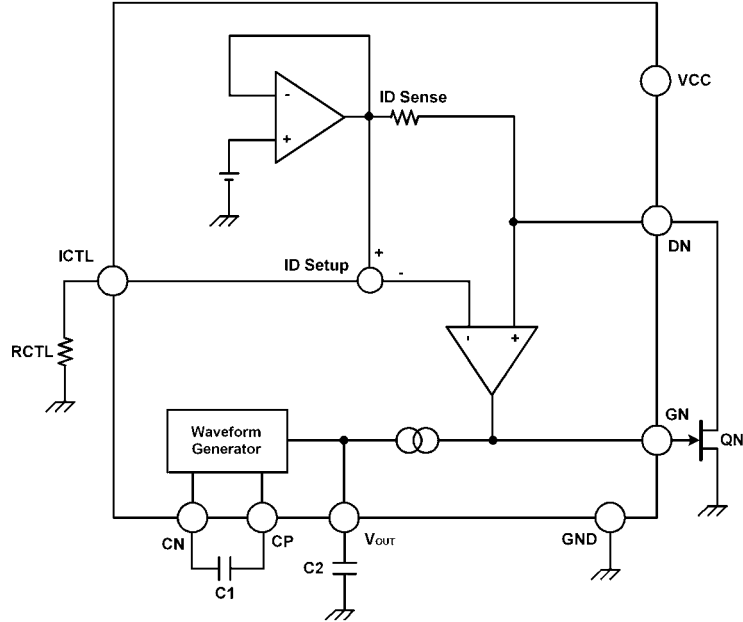
In order to protect the external FETs the circuits have been designed to ensure that, under any conditions including power up/down transients, the gate drive from the bias circuits cannot exceed the range -3.5V to 1V. Furthermore if the negative rail experiences a fault condition, such as overload or short circuit, the drain supply to the FETs will shut down avoiding excessive current flow.

The AT1512 are available in SSOP20 for the minimum in device size. Device operating temperature is -40 to 70°C to suit a wide range of environmental conditions.

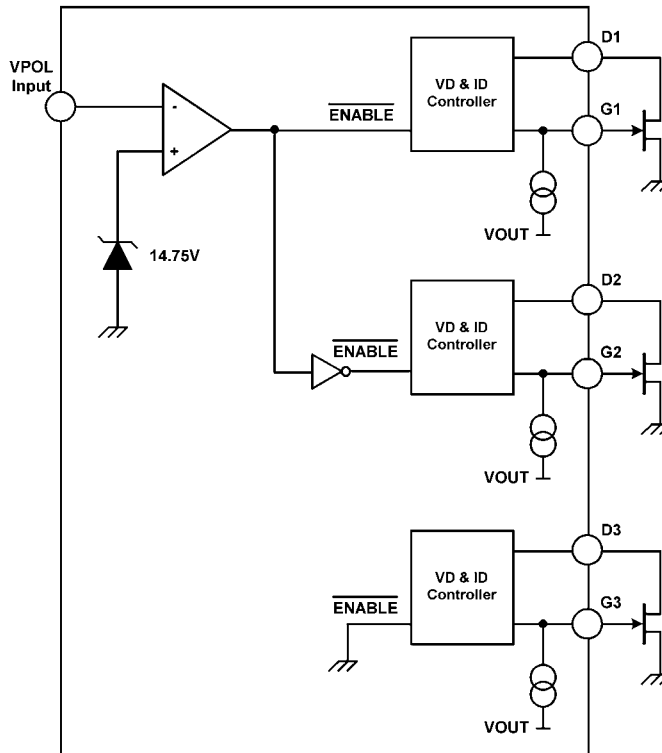
Aimtron reserves the right without notice to change this circuitry and specifications.

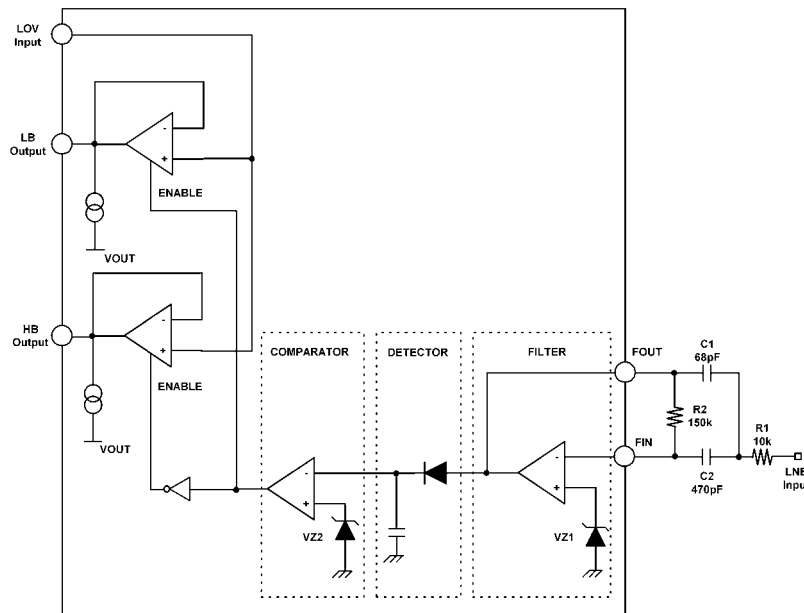
Block Diagram

(a) Drain Voltage & Current Controller

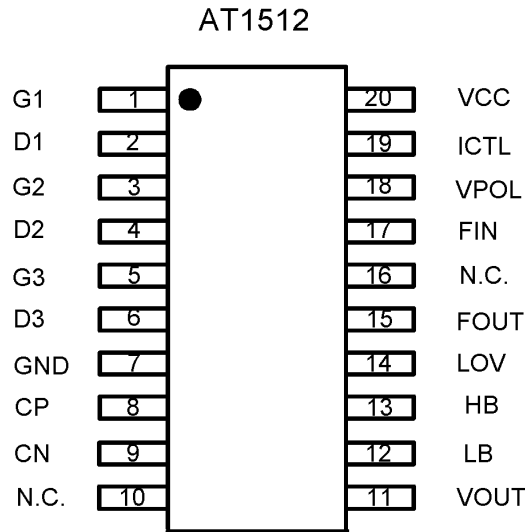


(b) Polarisation Switch



(c) Tone Detection

Pin Descriptions

Pin No.	Pin name	Function
1	G1	1st Gate output voltage Pin
2	D1	1st Drain output voltage Pin
3	G2	2nd Gate output voltage Pin
4	D2	2nd Drain output voltage Pin
5	G3	3rd Gate output voltage Pin
6	D3	3rd Drain output voltage Pin
7	GND	Ground Pin
8	CP	Positive OSC output Pin
9	CN	Negative OSC output Pin
10	N.C.	No connect Pin
11	VOUT	Negative voltage output Pin
12	LB	Error Amplifier output Pin
13	HB	Error Amplifier inverted output Pin
14	LOV	Error Amplifier input Pin
15	FOUT	Filter input Pin
16	N.C.	No connect Pin
17	FIN	Filter output Pin
18	VPOL	Polarisation switch controller Pin
19	ICTL	Drain Current set Resistor connect Pin
20	VCC	Supply voltage Pin

Pin Configuration

Ordering Information

Part number	Package	Marking
AT1512R	SSOP20	AT1512R
AT1512R_GRE	SSOP20,Green	AT1512R,date code with one bottom line

Absolute maximum ratings (Ta = 25°C)

Parameter	Symbol	Limits	unit
Power supply voltage	V _{CC}	-0.6~12	V
Supply Current	I _{CC}	100	mA
Input Voltage	V _{POL}	25	V
Drain Current	V _D	0~15	mA
Operating temperature	T _{opr}	-40~+70	°C
Storage temperature	T _{stg}	-50~+85	°C
Power dissipation	P _d	500	mW

Recommended operating conditions (Ta = 25°C)

Parameter	Symbol	Limits	unit
Power supply voltage	V _{CC}	5~10	V

Electrical characteristics

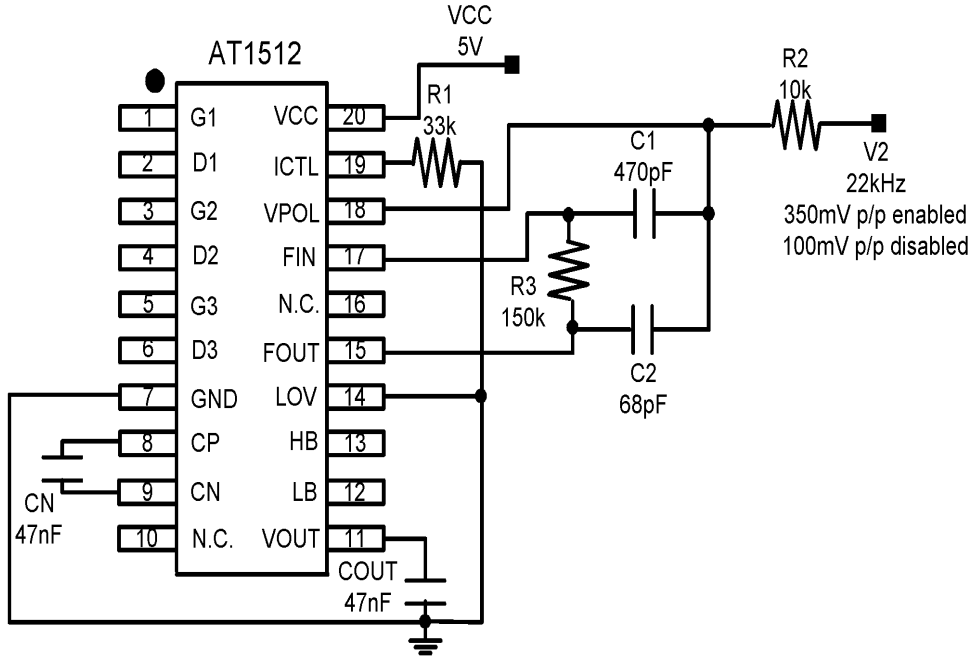
 (Unless otherwise stated, Ta=25°C, V_{CC}=5V, I_D=10mA, R_{CTL}=33kΩ)

Parameter	Symbol	Min.	Typ.	Max.	Unit	Conditions
Supply Voltage	V _{CC}	5	--	10	V	
Supply Current	I _{CC}	--	6	15	mA	I _{D1} to I _{D3} =0
		--	25	35	mA	I _{D1} =0, I _{D2} to I _{D3} =10mA, V _{POL} =14V
		--	25	35	mA	I _{D2} =0, I _{D1} to I _{D3} =10mA, V _{POL} =15.5V
		--	16	25		I _{D1} to I _{D3} =0, I _{LB} =10mA
		--	16	25	mA	I _{D1} to I _{D3} =0, I _{HB} =10mA
Negative Voltage	V _{OUT}	-3.5	-3.0	-2.5	V	I _{OUT} =0
		--	--	-2.4	V	I _{OUT} =-200μA
Drain Output Noise Voltage	E _{ND}	--	--	0.02	V _{PP}	C _G =4.7nF, C _D =10nF
Gate Output Noise Voltage	E _{NG}	--	--	0.005	V _{PP}	C _G =4.7nF, C _D =10nF
Oscillator Freq.	f _o	200	350	800	kHz	
DRAIN						
Drain Current	I _D	8	10	12	mA	
Drain Current Charge with V _{CC}	ΔI _{DV}	--	0.5	--	%/V	V _{CC} =5 to 10V
Drain Current Charge with T _j	ΔI _{DT}	--	0.05	--	%/°C	T _j =-40 to +70°C
Drain Voltage	V _{D1}	1.8	2.0	2.2	V	I _{D1} =10mA, V _{POL} =15.5V
	V _{D2}	1.8	2.0	2.2	V	I _{D2} =10mA, V _{POL} =14V
	V _{D3}	1.8	2.0	2.2	V	I _{D3} =10mA
Drain Voltage Charge with V _{CC}	ΔV _{DV}	--	0.5	--	%/V	V _{CC} =5 to 12V
Drain Voltage Charge with T _j	ΔV _{DT}	--	50	--	ppm	T _j =-40 to +70°C
Leakage Current	I _{L1}	--	--	10	μA	V _{D1} =0.5V, V _{POL} =14V
	I _{L2}	--	--	10	μA	V _{D2} =0.5V, V _{POL} =15.5V
GATE						
Gate Output Current Range	I _{GO}	-30	--	2000	μA	
Gate1 Output Voltage	V _{G10}	-0.05	0	0.05	V	I _{D1} =0, V _{POL} =14V, I _{GO1} =0
	V _{G1L}	-3.5	-2.9	-2.0	V	I _{D1} =12mA, V _{POL} =15.5V, I _{GO1} =-10μA
	V _{G1H}	0.4	0.75	1.0	V	I _{D1} =8mA, V _{POL} =15.5V, I _{GO1} =0
Gate2 Output Voltage	V _{G20}	-0.05	0	0.05	V	I _{D2} =0, V _{POL} =15.5V, I _{GO2} =0
	V _{G2L}	-3.5	-2.9	-2.0	V	I _{D2} =12mA, V _{POL} =14V, I _{GO2} =-10μA
	V _{G2H}	0.4	0.75	1.0	V	I _{D2} =8mA, V _{POL} =14V, I _{GO2} =0
Gate3 Output Voltage	V _{G3L}	-3.5	-2.9	-2.0	V	I _{D3} =12mA, I _{GO3} =-10μA
	V _{G3H}	0.4	0.75	1.0	V	I _{D3} =8mA, I _{GO3} =0
TONE DETECTION						
Input Bias Current	I _B	0.02	0.07	0.25	μA	R _{F1} =150kΩ
Output Voltage	V _{OUT}	1.75	1.95	2.05	V	R _{F1} =150kΩ
Output Current	I _{OUT}	400	520	650	μA	V _{OUT} =1.96V, V _{FIN} =2.1V
Voltage Gain	G _V	--	46	--	dB	f=22kHz, V _{IN} =1mV
Rejection Frequency	f _R	1.0	7.5	--	kHz	V _{(AC)in} =1V p/p sq.w
LOV Volt. Range	V _{LOV}	-0.5	--	V _{CC} -1.8	V	I _L =50mA(LB or HB)
LOV Bias Current	I _{LOV}	0.02	0.15	1.0	μA	V _{LOV} =0
LB Output Low	V _{LBL}	-3.5	-2.75	-2.5	V	V _{LOV} =0, I _L =-10μA, Enabled
		-0.01	0	0.01	V	V _{LOV} =3V, I _L =0, Enabled
LB Output High	V _{LBH}	-0.025	0	0.025	V	V _{LOV} =0, I _L =10mA, Disabled
		2.9	3.0	3.1	V	V _{LOV} =3V, I _L =50mA, Disabled

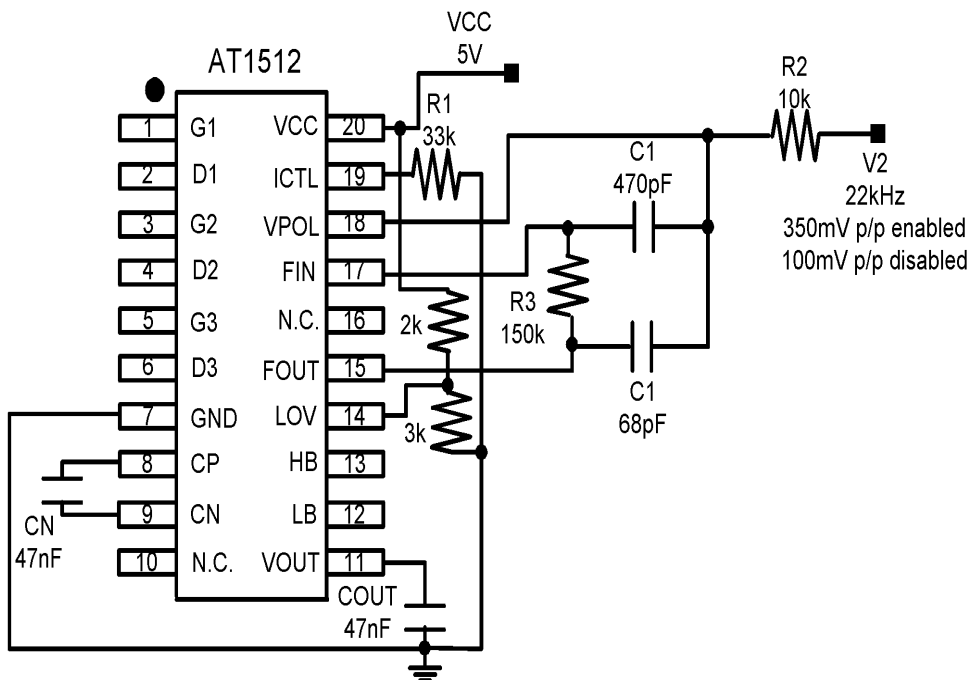
HB Output Low	V_{HBL}	-3.5	-2.75	-2.5	V	$V_{LOV}=0, I_L=-10\mu A, Disabled$
		-0.01	0	0.01	V	$V_{LOV}=3V, I_L=0, Disabled$
HB Output High	V_{HBH}	-0.025	0	0.025	V	$V_{LOV}=0, I_L=10mA, Enabled$
		2.9	3.0	3.1	V	$V_{LOV}=3V, I_L=50mA, Enabled$
POLARITY SWITCH						
Input Current	I_{POL}	10	20	40	μA	$V_{POL}=25V (Applied\ via\ R_{POL}=10k\Omega)$
Threshold Voltage	V_{TPOL}	14	14.75	15.5	V	$V_{POL}=25V (Applied\ via\ R_{POL}=10k\Omega)$
Switching Speed	T_{SPOL}	--	--	100	ms	$V_{POL}=25V (Applied\ via\ R_{POL}=10k\Omega)$

Test Circuit

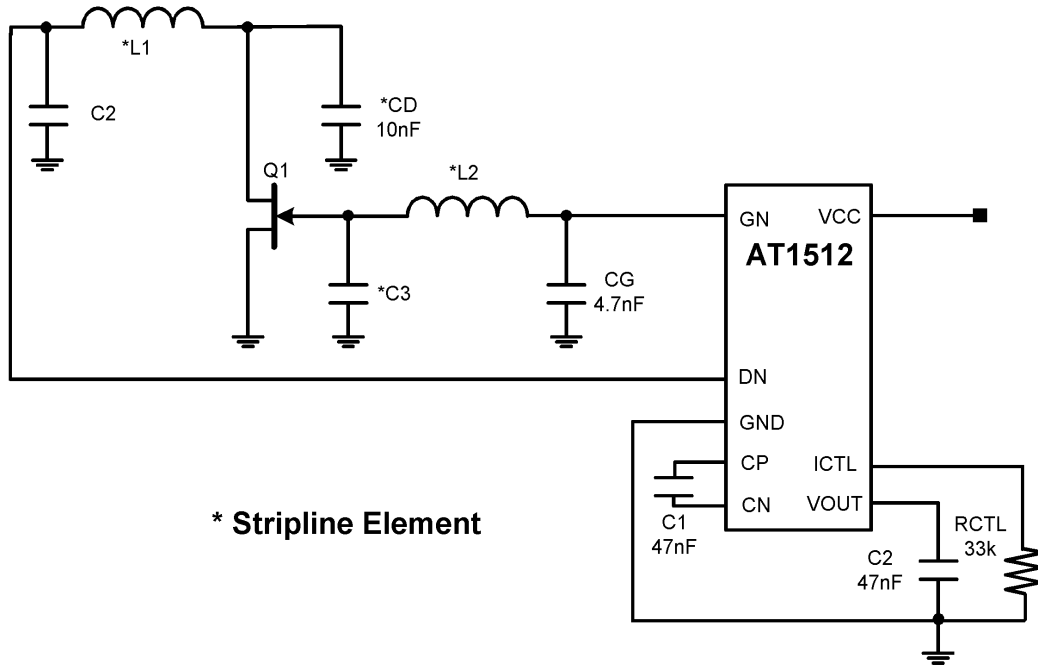
(a) L_{ov} Connected to ground



(b) L_{ov} Connected to V_{osc}

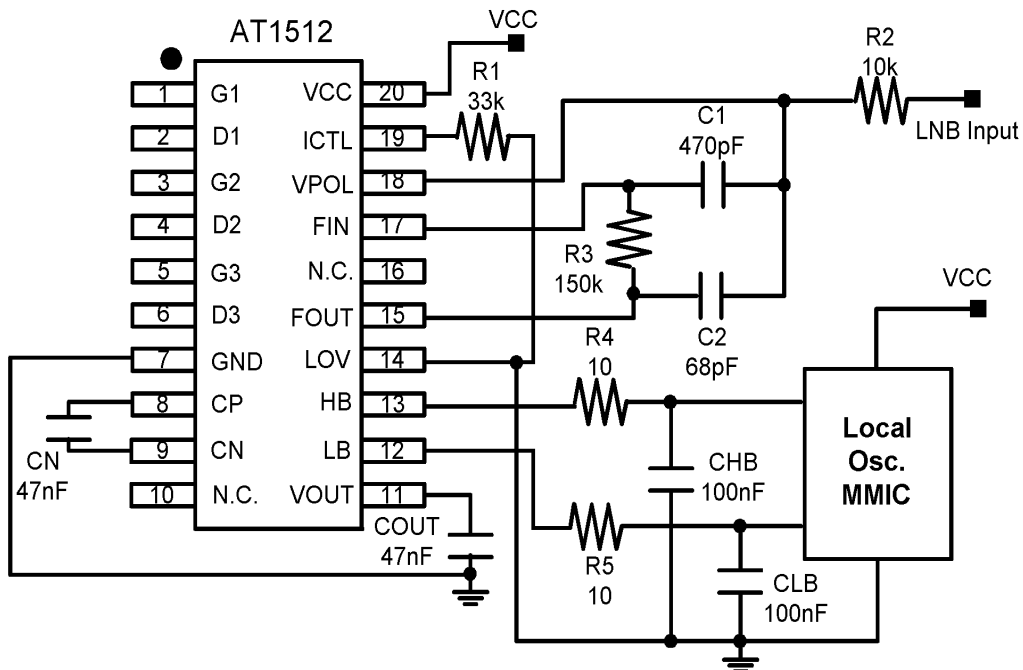


Application Circuit

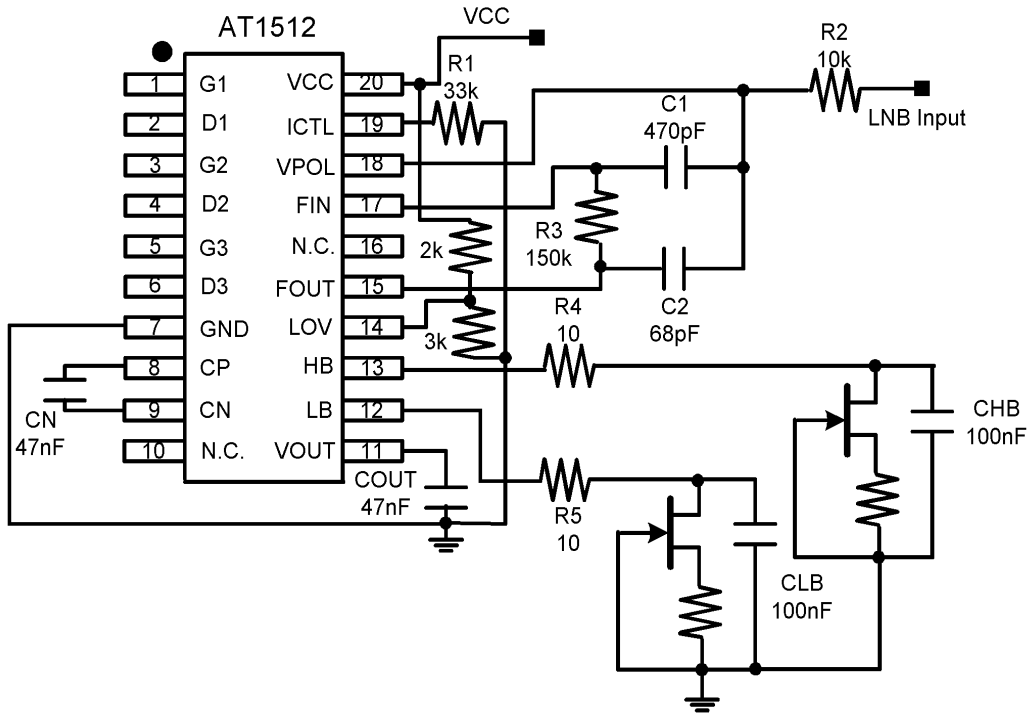


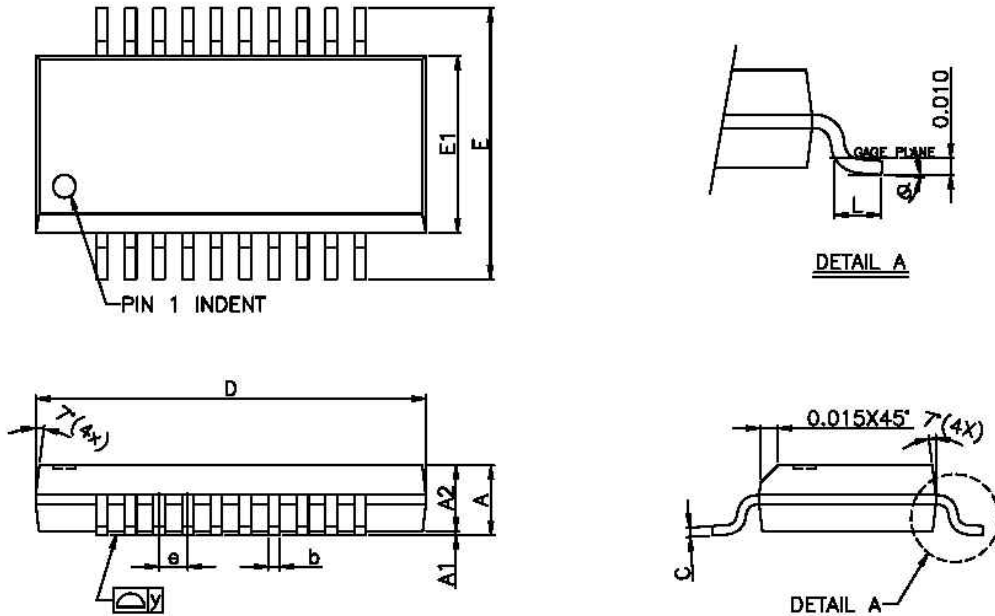
Application Information

(a) LOV Connected to ground



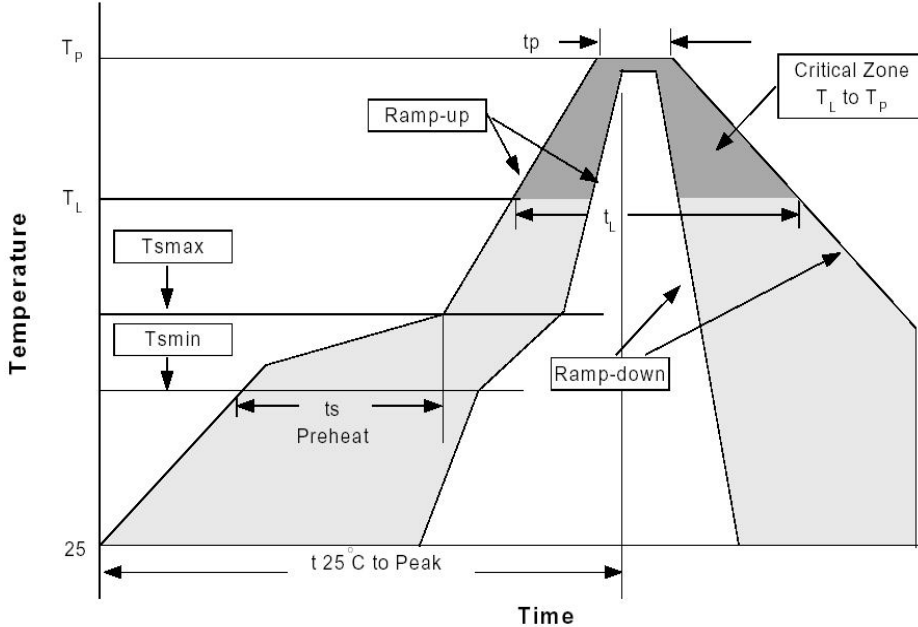
(b) L_{ov} Connected to V_{osc}



Package Outlines : 20-pin SSOP


SYMBOL	MILLIMETERS			INCHES		
	MIN	TYP	MAX	MIN	TYP	MAX
A	1.47	1.60	1.73	0.058	0.063	0.068
A1	0.10	-	0.25	0.004	-	0.010
A2	1.37	1.45	1.52	0.054	0.057	0.060
b	0.23	0.25	0.36	0.009	0.010	0.014
C	0.19	0.20	0.25	0.0075	0.008	0.0098
D	8.53	8.64	8.74	0.336	0.340	0.344
E	5.79	5.99	6.20	0.228	0.236	0.244
E1	3.81	3.91	3.99	0.150	0.154	0.157
L	0.38	0.71	1.27	0.015	0.028	0.050
e	-	0.64	-	-	0.025	-
y	-	-	0.076	-	-	0.003
θ	0°		8°	0°		8°

Reflow Profiles



Profile Feature	Sn-Pb Eutectic Assembly		Pb-Free Assembly	
	Large Body Pkg. thickness ≥2.5mm or Pkg. volume ≥350mm ³	Small Body Pkg. thickness <2.5mm or Pkg. volume <350mm ³	Large Body Pkg. thickness ≥2.5mm or Pkg. volume ≥350mm ³	Small Body Pkg. thickness ≥2.5mm or Pkg. volume ≥350mm ³
Average ramp-up rate (T _L to T _P)	3°C/second max.		3°C/second max.	
Preheat -Temperature Min(T _{min}) -Temperature Max (T _{max}) -Time (min to max)(t _s)	100°C 150°C 60-120 seconds		150°C 200°C 60-180 seconds	
T _{max} to T _L -Ramp-up Rate			3°C/second max.	
Time maintained above: -Temperature (T _L) -Time (t _L)	183°C 60-150 seconds		217°C 60-150 seconds	
Peak Temperature(T _P)	225+0/-5°C	240+0/-5°C	245+0/-5°C	250+0/-5°C
Time within 5°C of actual Peak Temperature (t _p)	10-30 seconds	10-30 seconds	10-30 seconds	20-40 seconds
Ramp-down Rate	6°C/second max.		3°C/second max.	
Time 25°C to Peak Temperature	6 minutes max.		8 minutes max.	

*All temperatures refer to topside of the package, measured on the package body surface.