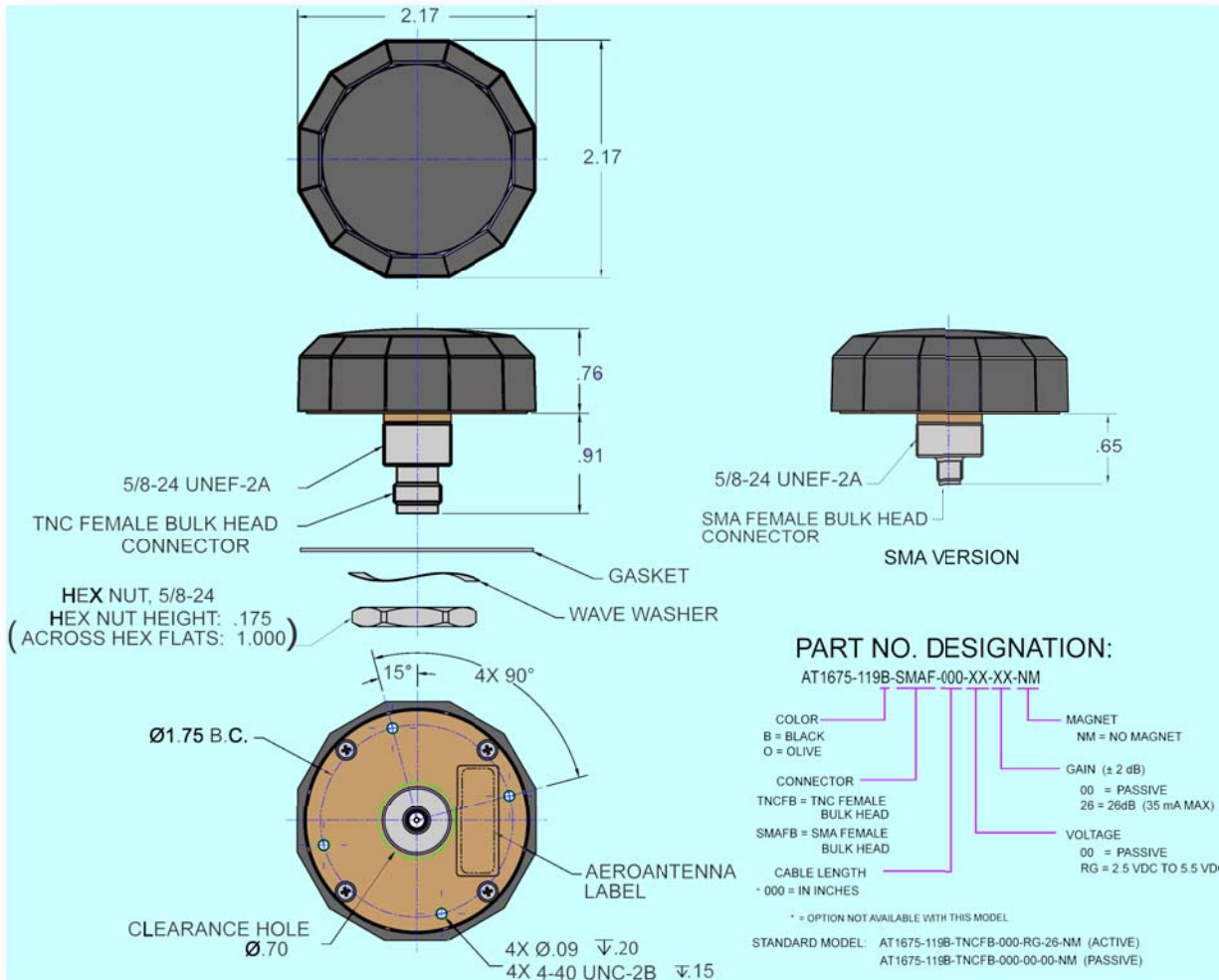




SPECIFICATION:

FREQUENCY:	1565-1607 MHz
POLARIZATION:	RIGHT HAND CIRCULAR
NOISE FIGURE:	2.5 dB MAX
IMPEDANCE:	50 OHMS
VSWR	≤ 2.0:1
GAIN:	26 ± 2 dB
AXIAL RATIO:	3 dB MAX @ BORESIGHT
POWER HANDLING:	2 WATT MAX
VOLTAGE:	+ 2.5 TO + 5.5 VDC
CURRENT:	35 mA MAX
WEIGHT:	75 g
RADOME COLOR:	SPECIFY WHEN ORDER
OPERATING TEMP:	-40°C TO +85°C
DESIGNED TO:	DO160D



AS 9100 Certified Company

03-9243358 פקס ▪ 03-9243352 :טל ▪ רח' אודם 14, ת.ד. 7042 פ"ת

www.hypertech.co.il ▪ sales@hypertech.co.il

