

REVISIONS			
SYM	DESCRIPTION	DATE	APPROVED
E	UPDATE PER ECO 9280 CHANGE RADOME'S RADIUS FROM R.38 TO R.44	06/22/10	

NOTES: UNLESS OTHERWISE SPECIFIED.

- 1 O-RING AND MOUNTING SCREWS SUPPLIED BY AEROANTENNA.
- 2 LABEL SIZE, SHAPE, CONTENTS AND LOCATION ARE SUBJECT TO CHANGE WITHOUT NOTICE.
- 3. TOLERANCES: .XX = ±.03
.XXX = ±.010

SPECIFICATION:

FREQUENCY: 1570 ±45 MHz
1238 ±21.5 MHz

POLARIZATION: RIGHT HAND CIRCULAR

AXIAL RATIO: 3 dB MAX AT BORE SIGHT

AMPLIFIER:

NOISE FIGURE: 2.5 dB MAX

IMPEDANCE: 50 OHMS

VSWR: ≤1.5:1

POWER HANDLING: 1 WATT

FINISH: POLYURETHANE ENAMEL, FLUID RESISTANT

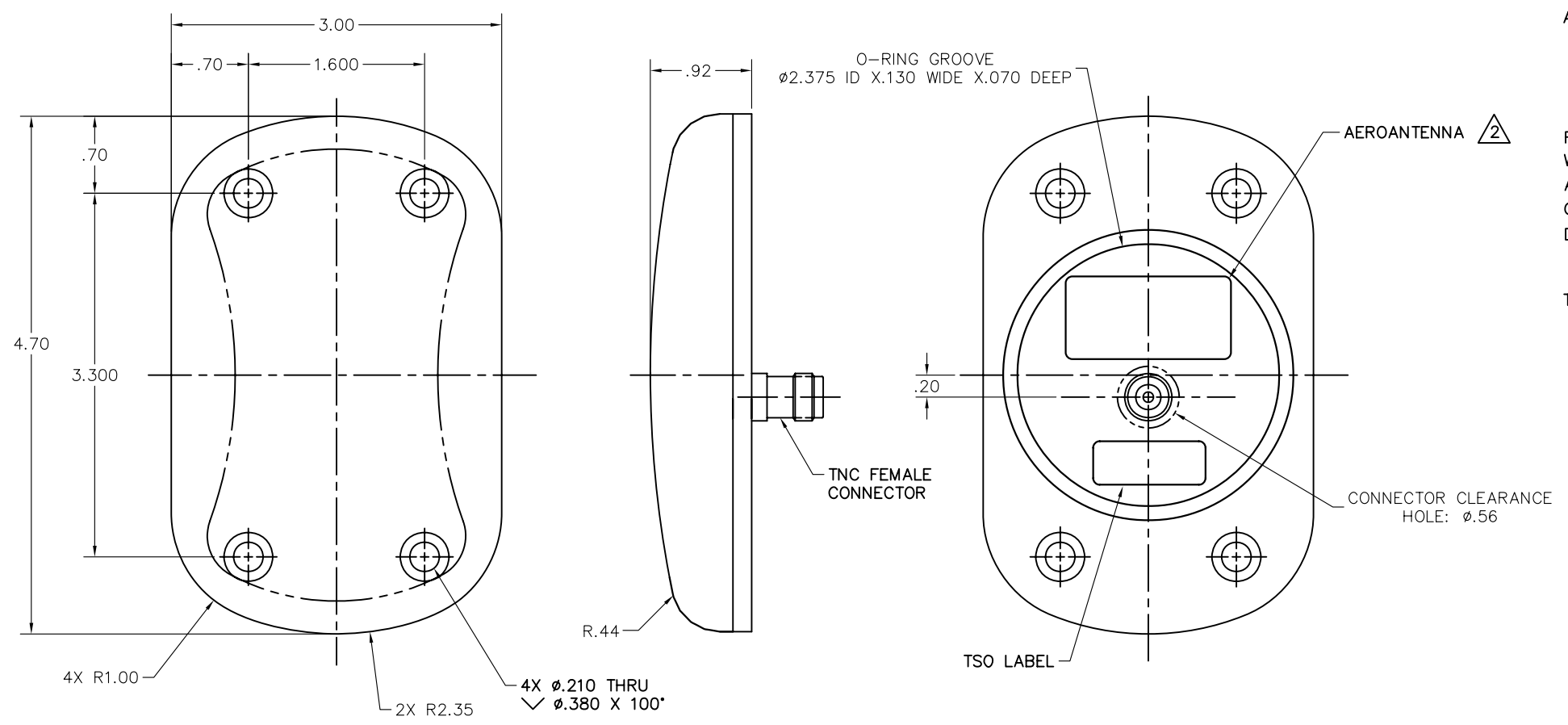
WEIGHT: 10 OZ MAX

ALTITUDE: 55,000'

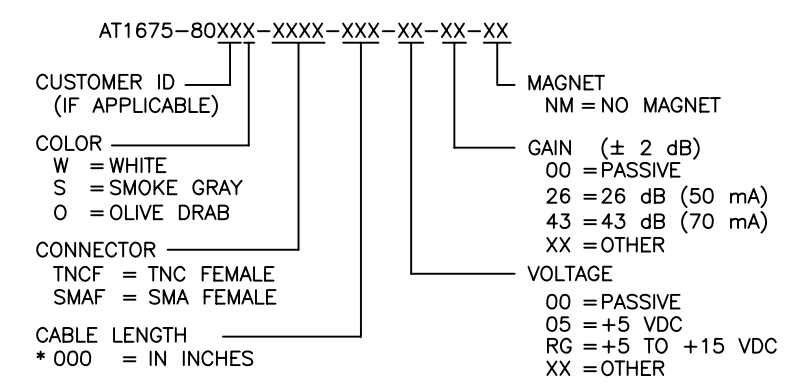
OPERATING TEMP: -55°C TO +85°C

DESIGNED TO: DO-160E,
ENV CAT: F2-AB[BD][S(CLMY)U(FF1)]X[SY]F5FSZXXX[ZCZW]YH[A4J44][2A]CAC
ARINC 743 FOOTPRINT, RTCA DO-210D
INCOMPLETE TSO-C132

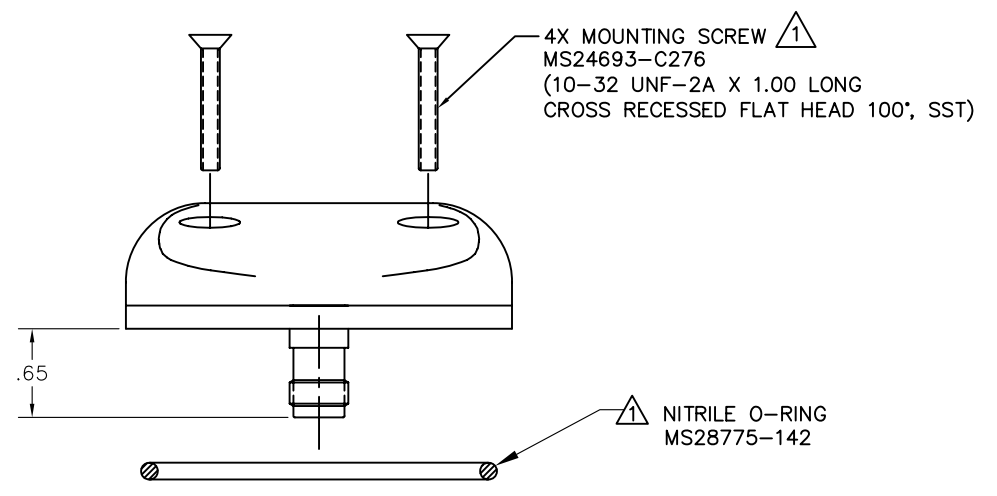
TSO:



PART NO. DESIGNATION:



* = OPTION NOT AVAILABLE WITH THIS MODEL
STANDARD MODEL= AT1675-80W-TNCF-000-RG-43-NM



DO NOT SCALE THIS DRAWING	DRAWN	V. GRINEVICH	03/26/08
REMOVE BURRS AND BREAK SHARP EDGES:	CHECKED		
PART TO BE CLEAN AND OIL FREE	ENGR	S. VALDES	04/08/08
ALL DIMENSIONS ARE IN INCHES	MFG	D. LEVY	04/08/08
DIMENSIONING & TOLERANCING PER ASME Y14.5M-1994	Q.A.	B. RUBENI	04/09/08
TOLERANCES:	APPROVED	YOUSI Z.	04/09/08
-.XX - ±.01 FRACT = ±1/32	DRAWN IN	CAD	
-.XXX - ±.005 ANG. = ±1/2'			
✓ SURFACE ROUGHNESS MACHINED PARTS V63 MOLDED PARTS V32			
HOLE DIA. TOLERANCE			
.0135 - .125 +.004 - .001			
.126 - .250 +.005 - .001			
.251 - .500 +.006 - .001			
.501 - .750 +.008 - .001			

AeroAntenna Technology Inc
AS9100 CERTIFIED CO.

TITLE: AMSS/GPS ANTENNA

SIZE: B CAGE CODE: OUVG2 DRAWING NO.: AT1675-80 REV: E

SCALE: NONE I: \CAD\AT1675\ -80\AT1675-80_E SHEET 1 OF 1

PROPRIETARY NOTE: This document contains information of AeroAntenna Technology Inc. (AAT). Neither the document nor said proprietary information shall be published, reproduced, copied, disclosed or used for any other purpose other than consideration of document without the express written permission of a duly authorized representative of said AeroAntenna Technology Inc.

NEXT ASSY

AT1675-80