

Features

- 2 channels of DC motor BTL driver
- 2 channels of BTL driver for coils with current feedback
- 1 channels forward/reverse control DC motor driver
- Built-in suspension function.
- Built-in thermal shutdown circuit.
- Operating voltage: 4.5V~13.2V

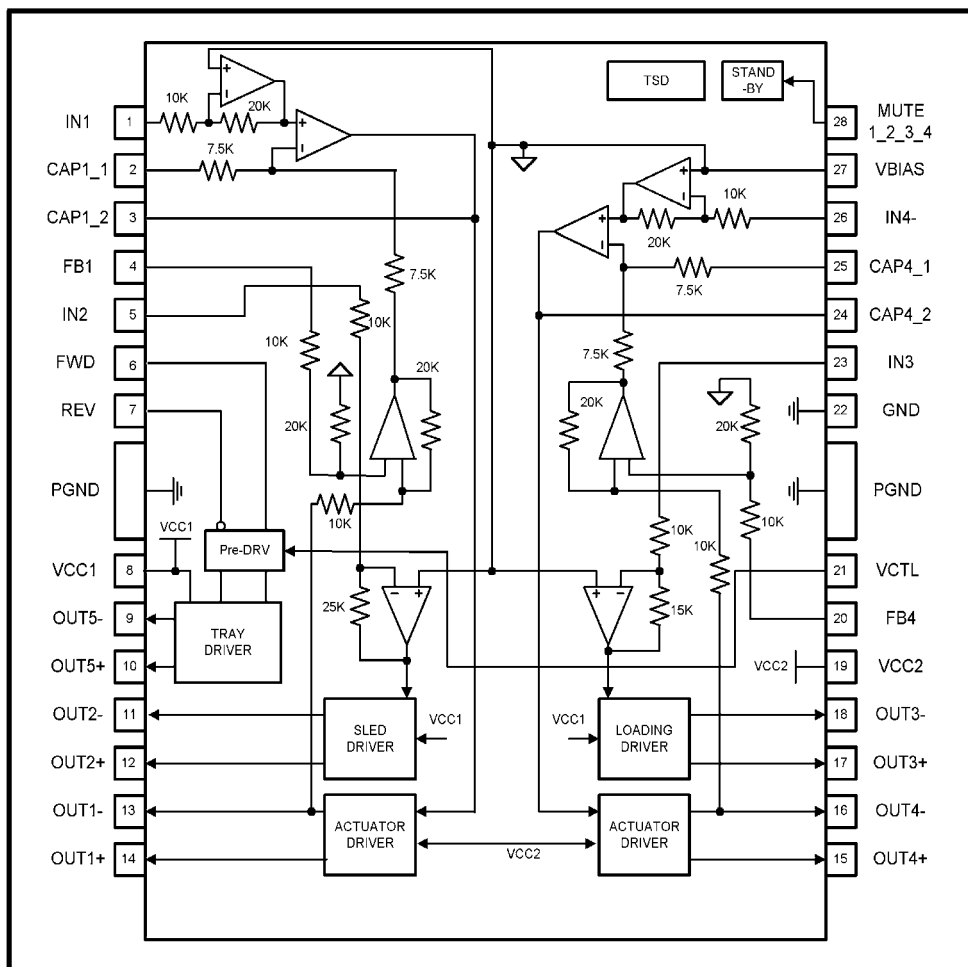
Description

The AT5665 is a 5-channel BTL driver IC. Two of them can drive DC motors and two can drive coils, such as the focus and tracking actuators of a CD-ROM/DVD-ROM/DVD-Player system, with current feedback. It also built-in one channel bi-direction DC motor driver for Tray.

Applications

CD-ROM/DVD-ROM/CD-RW drives
DVD player.

Block Diagram



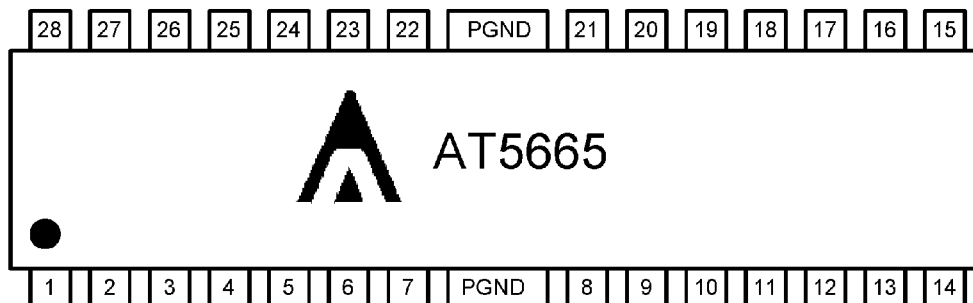
Aimtron reserves the right without notice to change this circuitry and specifications.

Pin Descriptions

Pin No.	Pin name	Function
1	IN1	CH1(Focus coil) input
2	CAP1 1	CH1 error amplifier filter capacitor connection 1
3	CAP1 2	CH1 error amplifier filter capacitor connection 2
4	FB1	CH1(Focus coil) feedback pin
5	IN2	CH2(Sled driver) input
6	FWD	CH5 forward input
7	REV	CH5 reverse input
8	VCC1	Power Supply 1
9	OUT5-	CH5(Tray driver) output(-)
10	OUT5+	CH5(Tray driver) output(+)
11	OUT2-	CH2(Sled driver) output (-)
12	OUT2+	CH2(Sled driver) output (+)
13	OUT1-	CH1(Focus coil) output (-)
14	OUT1+	CH1(Focus coil) output (+)
15	OUT4+	CH4(Tracking coil) output (+)
16	OUT4-	CH4(Tracking coil) output (-)
17	OUT3+	CH3(Loader) output (+)
18	OUT3-	CH3(Loader) output (-)
19	VCC2	Power Supply 2
20	FB4	CH4(Tracking coil) feedback pin
21	VCTL	CH5 Speed control input
22	GND	Ground
23	IN3	CH3(Loader) input
24	CAP4 2	CH4 error amplifier filter capacitor connection 2
25	CAP4 1	CH4 error amplifier filter capacitor connection 1
26	IN4-	CH4 (Tracking driver) input
27	VBIAS	VREF input pin
28	MUTE 1 2 3 4	Mute control for CH1,Ch2,CH3,CH4

Notes: The indicated polarities for the output pins are under the condition that all inputs are (+).
The power supplies for the driver output are PVcc1 for the loader, PVcc2 for focus and tracking drivers, and Vcc for pre-block and sled driver. Therefore, make sure $V_{cc} \geq PV_{cc1,2}$.

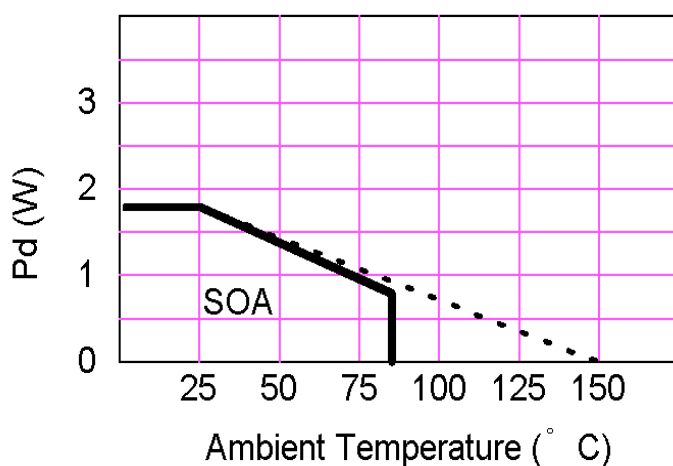
Pin Out



Ordering Information

Part number	Package	Marking
AT5665H	28-pin HSOP	AT5665H

Power Dissipation (Ta = 25°C)



Condition: mount on 50x50 mm² t=1.0mm paper phenol PCB

Absolute maximum ratings (Ta = 25°C)

Parameter	Symbol	Limits	unit
Power supply voltage	VCC1,2	13.5	V
Power dissipation	P _d	1.7	W
Operating temperature	T _{opr}	-30~+80	°C
Storage temperature	T _{stg}	-55~+150	°C

NOTE:*

1. Power dissipation reduces 13.6mW / °C for using above Ta=25°C
2. Do not exceed Pd and SOA.

Recommended operating conditions (Ta = 25°C)

Parameter	Symbol	Limits	unit
Power supply voltage	VCC1	4.0~13.2	V
	VCC2	4.0~Vcc1	V

Electrical characteristics

(unless otherwise noted, Ta = 25°C, VCC1 = 12V, VCC2 = 5V, VBIAS = 2.5V, RL1 = RL2 = 8Ω, RL3 = RL4 = 12Ω)

Parameter	Symbol	Min.	Typ.	Max.	Unit	Conditions
Quiescent current	I _{QC}	-	18	27	mA	No Load
Mute quiescent current	I _{QSB}	-	-	5	mA	CH5 active
Mute ON voltage	V _{SBON}	0	-	0.5	V	
Mute OFF voltage	V _{SBOFF}	2.0	-	-	V	
<Actuator driver>						
Output current offset	I _{O1,2}	-6	-	6	mA	
Maximum output voltage	V _{O1,2}	3.6	4.0	-	V	V _{IN} = VBIAS ±1.5V
Gain	G _m	1.3	1.5	1.7	A/V	V _{IN} = VBIAS ±0.2V
<Sled motor driver>						
Output voltage offset	V _{OFFSL}	-100	0	100	mV	
Maximum output voltage	V _{O3MAX}	7.5	9.0	-	V	V _{IN} = VBIAS ±1.5V
Closed loop gain	G _{VSL}	18.0	20.0	22.0	dB	V _{IN} = VBIAS ±0.2V
<Loader motor driver>						
Output voltage offset	V _{OFFLD}	-50	0	50	mV	
Maximum output voltage	V _{O4max1}	7.5	9.0	-	V	V _{IN} = VBIAS ±2.0V
Maximum output voltage	V _{O4max2}	3.6	4.0	-	V	V _{IN} = VBIAS ±1.5V VCC1 = 5V
Closed loop gain	G _{VLD}	13.5	15.5	17.5	dB	V _{IN} = VBIAS ±0.2V
Gain error	ΔG _{VLD}	0	1	2	dB	V _{IN} = VBIAS ±0.2V
<Tray motor driver>						
Maximum output voltage	V _{O5max1}	-	6.0	-	V	RL5 = 45Ω, RVCTL = 400Ω,
		3.8	-	4.2	V	RL5 = 45Ω, RVCTL = 0Ω, VCC1 = VCC2 = 5V
Output voltage offset	V _{OFFTR}	-50	0	50	mV	
Input high level voltage	V _{IH}	2.0	-	-	V	
Input low level voltage	V _{IL}	-	-	0.8	V	

Tray Motor Driver

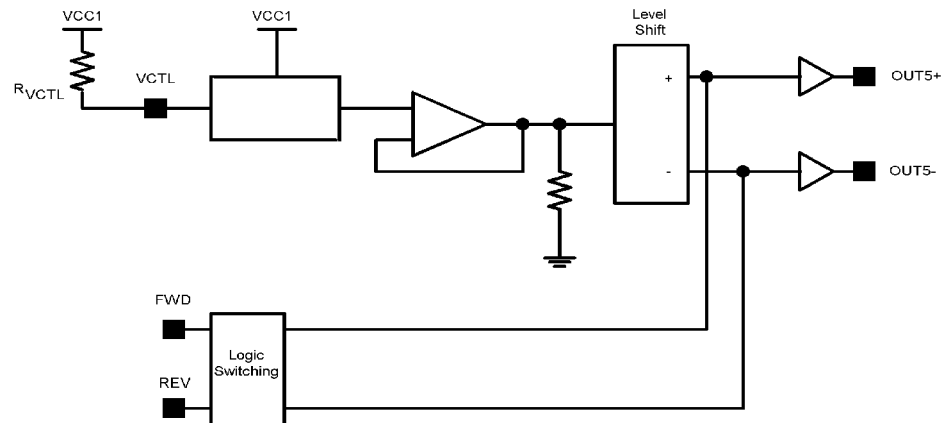


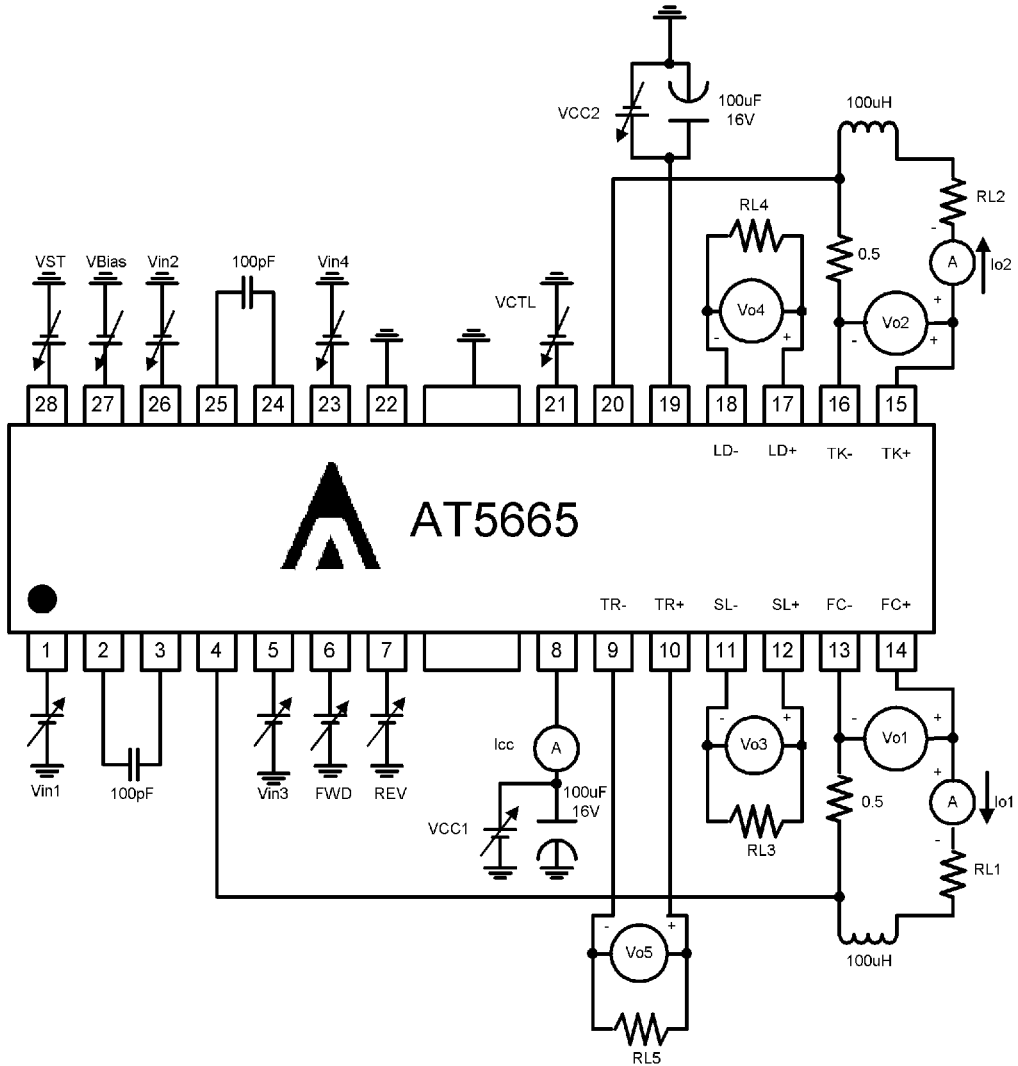
Fig1.

Input		Output		
FWD	REV	OUT5+	OUT5-	Status
High	High	Low	Low	Break
High	Low	High	Low	Forward
Low	High	Low	High	Reverse
Low	Low	Open	Open	Standby

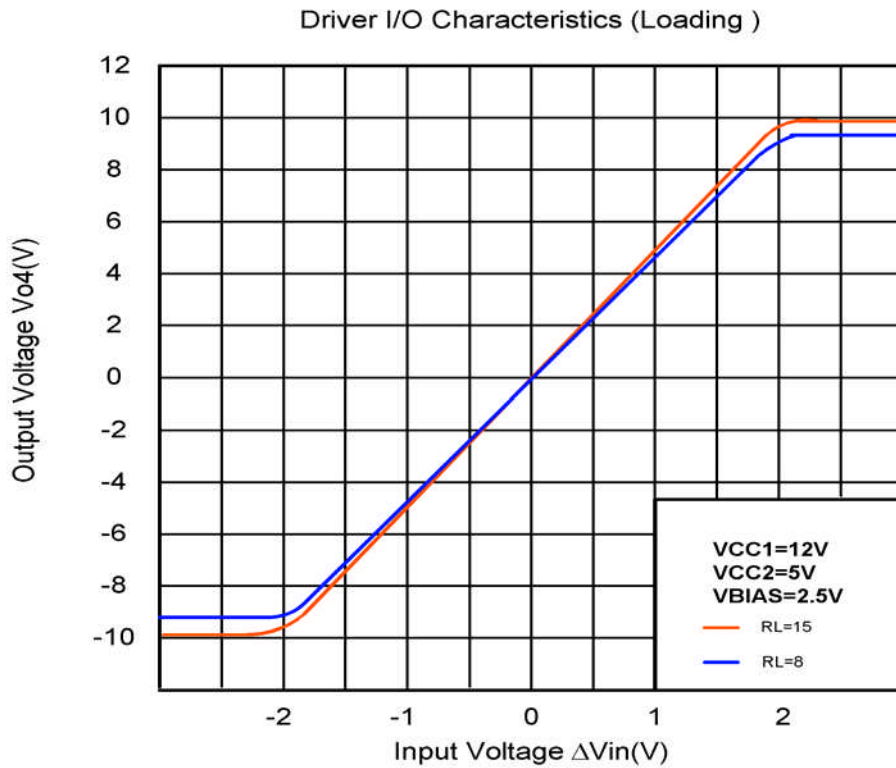
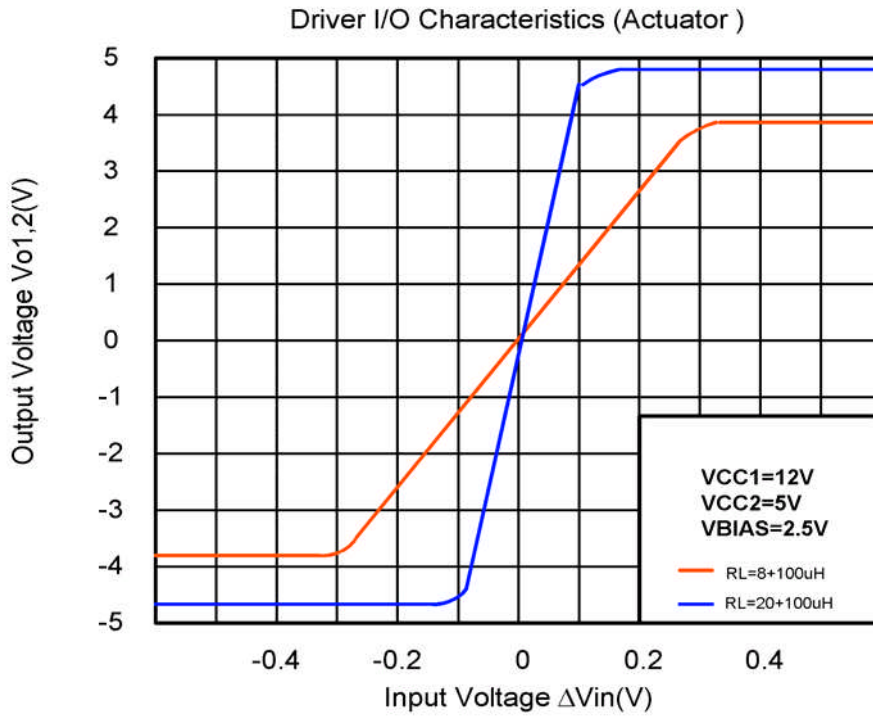
Tray Motor Speed Control

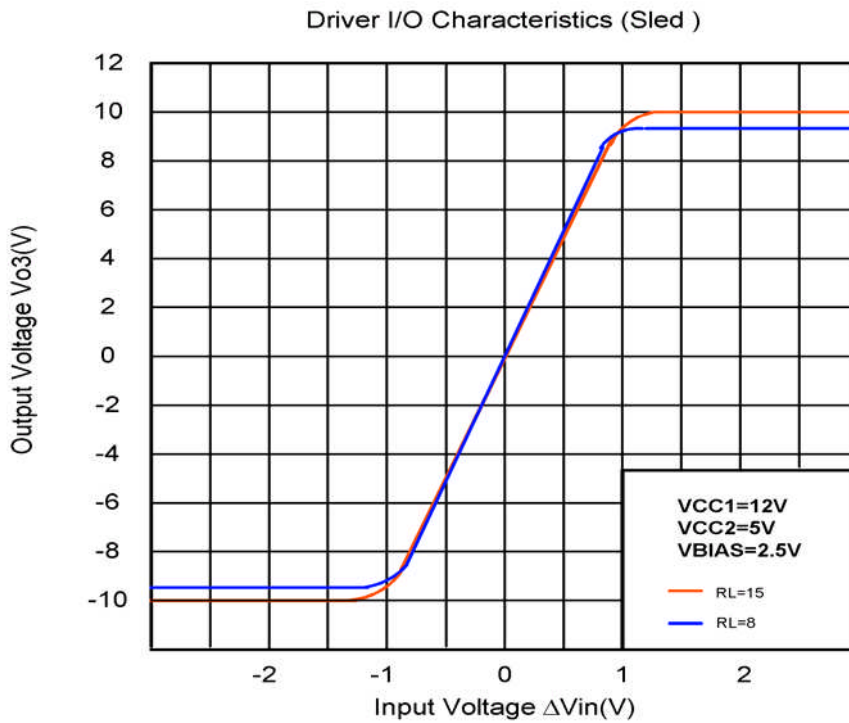
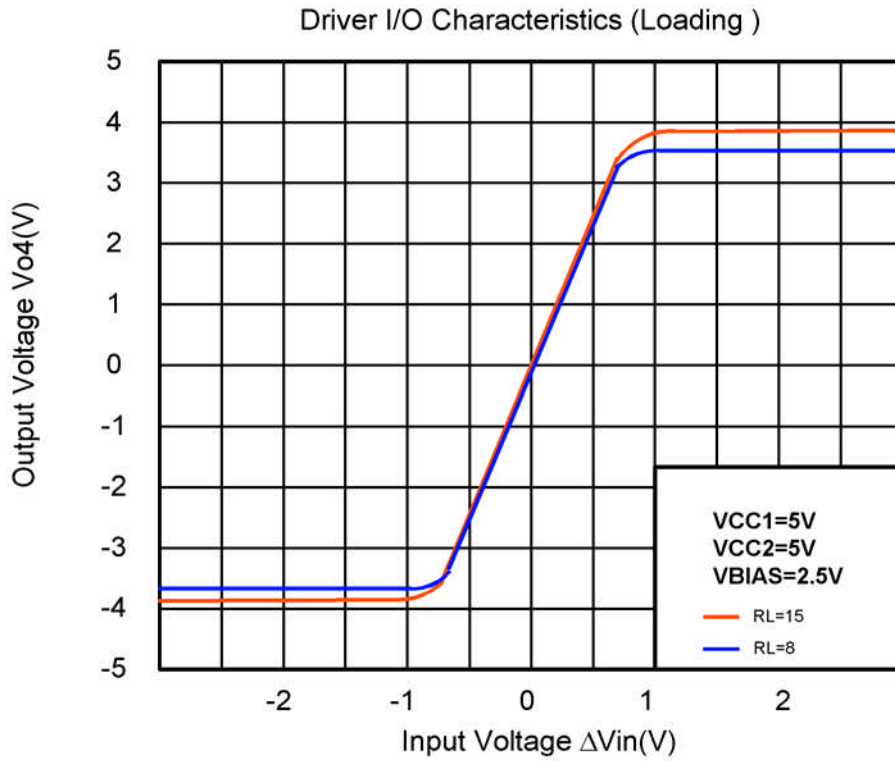
The amplitude of the output voltage is controlled by VCTL(pin21). If you want to control differential output voltage of the tray, insert external resistor R_{VCTL} as shown in figure 1.

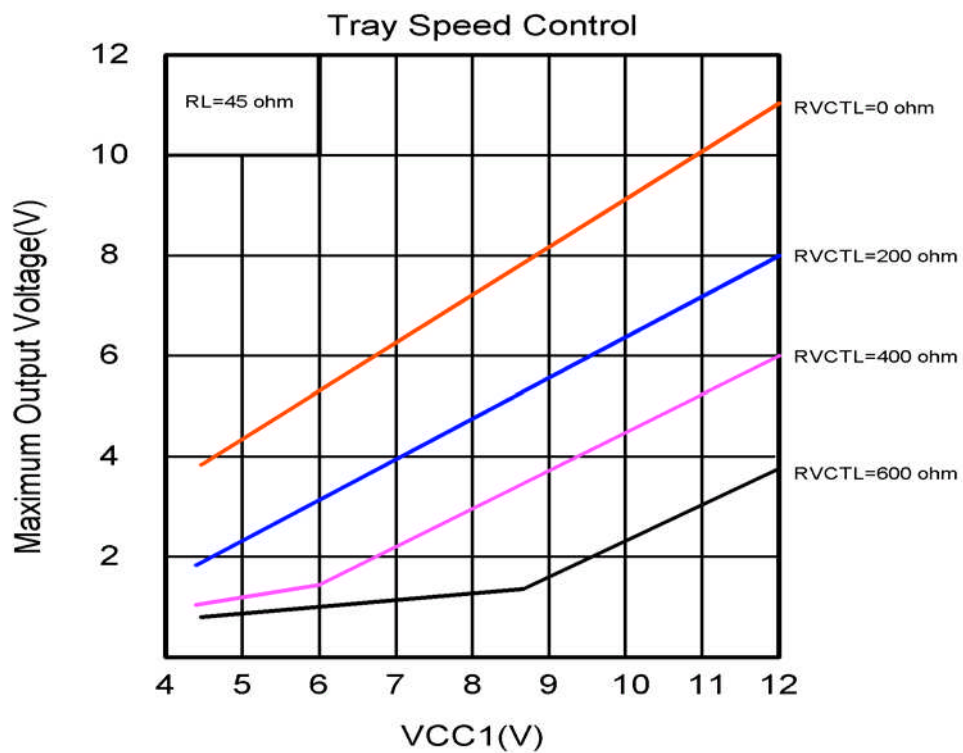
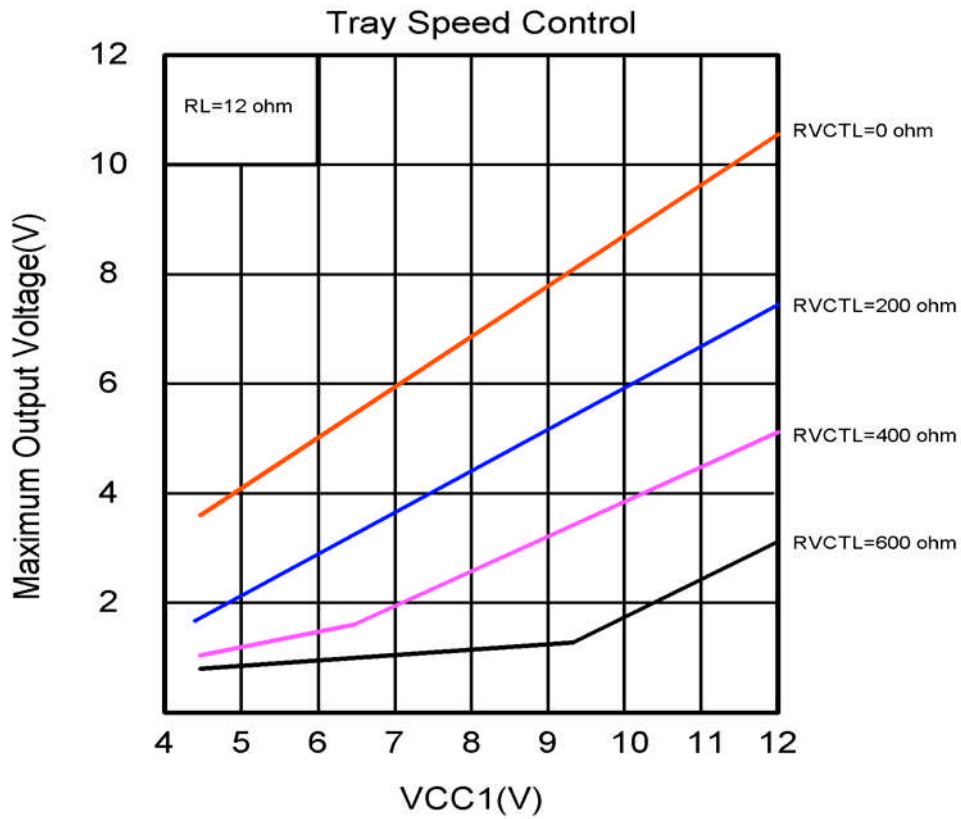
Test Circuit



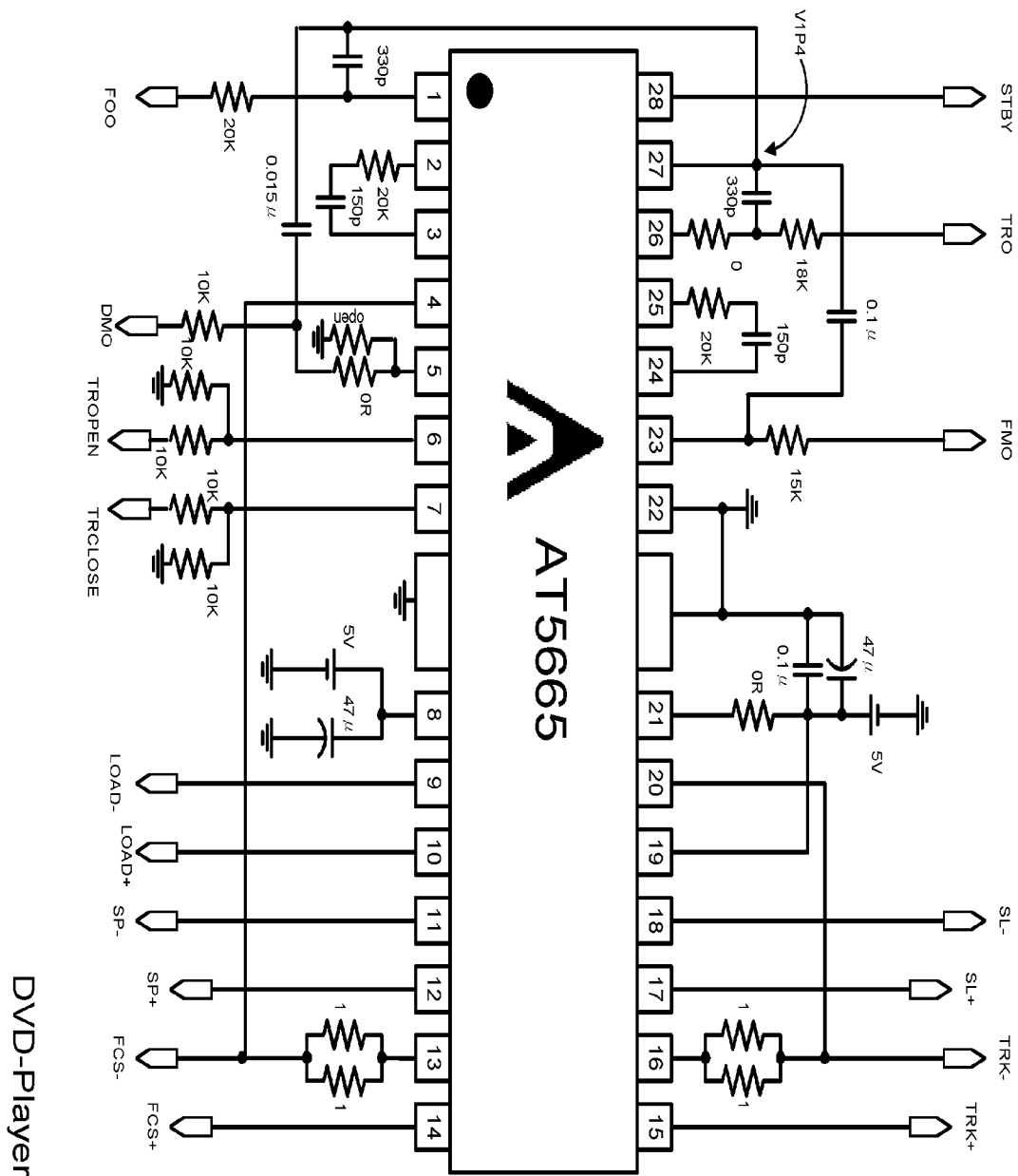
Typical Curve







Application circuit



Package Outlines (units:mm): HSOP-28

