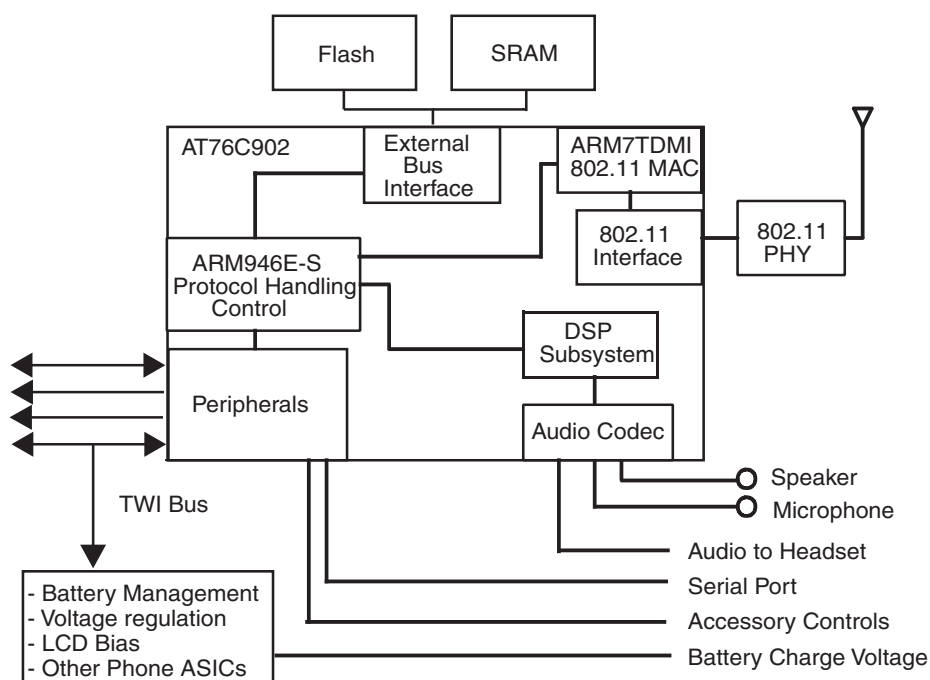


Features

- ARM946E-S™ Core (ARM9) for implementing the VoIP Protocol, TCP/IP, VPN and Controlling the Phone Functions with Internal 8K Instruction Cache and 8K Data Cache Used for Fast Execution of the Communications Protocols and RTOS with Reduced Power Consumption
- ARM7TDMI™ Core (ARM7) for Implementing the 802.11 MAC Layer
- Configurable Memory Banks to Assign Memory where Best Needed in Chip
- 16-bit Dual-MAC DSP for Implementing the G.723.1, G.729 and G.711.1 Standards, in Addition to Acoustic Echo Cancellation
- Integrated Audio Codec with Two Differential Multiplexed Microphone Inputs, One Differential Speaker Output and One Differential Auxiliary Output Path
- Glueless External Memory Interface Supporting up to 16 MB of External SRAM, 16 MB of Flash and 512 MB of SDRAM
- Hardware Security Accelerators Attached to the Common Bus Offer Instantaneous Encryption/Decryption and Authentication Support for the Following Algorithms: CCM/CTR/CBC Modes of Advanced Encryption Standard (AES) DES/3DES, WEP64/128, Temporal Key Integrity Protocol (TKIP) and MD-5, SHA-1 Hash Functions for IP Security
- USB Slave Interface (Control, Interrupt, Bulk-in and Bulk-out Endpoints)
- UART with Support to be used as USART
- Serial Peripheral Interface (SPI) and Two Wire Serial Interface (TWI)
- 64-key Keypad Interface
- 4x4 LED Matrix Controller
- Minimum of 5 GPIO Pins (up to 62 Available on Configuration)
- 208-lead BGA Package
- 1.8 Volt Core Voltage Supply
- 3.3 Volt I/O Voltage Supply

Figure 0-1. Typical Application Using AT76C902



Wireless VoIP Processor Implementing the 802.11 Standard

AT76C902 Summary

NOTE: This is a summary document. The complete document is available under NDA. For more information, please contact your local Atmel sales office.

5655AS-VoIP-09/06

www.DataSheet4U.com





1. Description

AT76C902 is a highly integrated ASSP that can be used as part of a wireless phone that utilizes an 802.11a/b/g wireless LAN medium and carries voice over IP (VoIP) packets. Specified in this datasheet, an ARM[®] processor based subsystem performs all of the PLCP and low MAC functions and baseband operations defined in 802.11a/b/g. A TeakDSPCore[™] and an internal CODEC perform the decoding and encoding of voice traffic. An interrupt controller and multiple support peripherals are also included.

1.1 Applications

The VoIP baseband device is intended to be used in a wireless phone which operates by encapsulating voice data within IP frames and transmitting the frames over a contention based wireless medium. Specifically, the first application of the device is targeted at a wireless phone operating on an 802.11a/b/g wireless LAN at 2.4 GHz and at 5.2 GHz (using 802.11a). [Figure 0-1](#) shows an example of the device being utilized in a wireless phone.



Atmel Corporation

2325 Orchard Parkway
San Jose, CA 95131, USA
Tel: 1(408) 441-0311
Fax: 1(408) 487-2600

Regional Headquarters

Europe

Atmel Sarl
Route des Arsenalux 41
Case Postale 80
CH-1705 Fribourg
Switzerland
Tel: (41) 26-426-5555
Fax: (41) 26-426-5500

Asia

Room 1219
Chinachem Golden Plaza
77 Mody Road Tsimshatsui
East Kowloon
Hong Kong
Tel: (852) 2721-9778
Fax: (852) 2722-1369

Japan

9F, Tonetsu Shinkawa Bldg.
1-24-8 Shinkawa
Chuo-ku, Tokyo 104-0033
Japan
Tel: (81) 3-3523-3551
Fax: (81) 3-3523-7581

Atmel Operations

Memory

2325 Orchard Parkway
San Jose, CA 95131, USA
Tel: 1(408) 441-0311
Fax: 1(408) 436-4314

Microcontrollers

2325 Orchard Parkway
San Jose, CA 95131, USA
Tel: 1(408) 441-0311
Fax: 1(408) 436-4314

La Chantrerie
BP 70602
44306 Nantes Cedex 3, France
Tel: (33) 2-40-18-18-18
Fax: (33) 2-40-18-19-60

ASIC/ASSP/Smart Cards

Zone Industrielle
13106 Rousset Cedex, France
Tel: (33) 4-42-53-60-00
Fax: (33) 4-42-53-60-01

1150 East Cheyenne Mtn. Blvd.
Colorado Springs, CO 80906, USA
Tel: 1(719) 576-3300
Fax: 1(719) 540-1759

Scottish Enterprise Technology Park
Maxwell Building
East Kilbride G75 0QR, Scotland
Tel: (44) 1355-803-000
Fax: (44) 1355-242-743

RF/Automotive

Theresienstrasse 2
Postfach 3535
74025 Heilbronn, Germany
Tel: (49) 71-31-67-0
Fax: (49) 71-31-67-2340

1150 East Cheyenne Mtn. Blvd.
Colorado Springs, CO 80906, USA
Tel: 1(719) 576-3300
Fax: 1(719) 540-1759

Biometrics/Imaging/Hi-Rel MPU/ High-Speed Converters/RF Datacom

Avenue de Rochepleine
BP 123
38521 Saint-Egreve Cedex, France
Tel: (33) 4-76-58-30-00
Fax: (33) 4-76-58-34-80

Literature Requests

www.atmel.com/literature

Disclaimer: The information in this document is provided in connection with Atmel products. No license, express or implied, by estoppel or otherwise, to any intellectual property right is granted by this document or in connection with the sale of Atmel products. **EXCEPT AS SET FORTH IN ATMEL'S TERMS AND CONDITIONS OF SALE LOCATED ON ATMEL'S WEB SITE, ATMEL ASSUMES NO LIABILITY WHATSOEVER AND DISCLAIMS ANY EXPRESS, IMPLIED OR STATUTORY WARRANTY RELATING TO ITS PRODUCTS INCLUDING, BUT NOT LIMITED TO, THE IMPLIED WARRANTY OF MERCHANTABILITY, FITNESS FOR A PARTICULAR PURPOSE, OR NON-INFRINGEMENT. IN NO EVENT SHALL ATMEL BE LIABLE FOR ANY DIRECT, INDIRECT, CONSEQUENTIAL, PUNITIVE, SPECIAL OR INCIDENTAL DAMAGES (INCLUDING, WITHOUT LIMITATION, DAMAGES FOR LOSS OF PROFITS, BUSINESS INTERRUPTION, OR LOSS OF INFORMATION) ARISING OUT OF THE USE OR INABILITY TO USE THIS DOCUMENT, EVEN IF ATMEL HAS BEEN ADVISED OF THE POSSIBILITY OF SUCH DAMAGES.** Atmel makes no representations or warranties with respect to the accuracy or completeness of the contents of this document and reserves the right to make changes to specifications and product descriptions at any time without notice. Atmel does not make any commitment to update the information contained herein. Unless specifically provided otherwise, Atmel products are not suitable for, and shall not be used in, automotive applications. Atmel's products are not intended, authorized, or warranted for use as components in applications intended to support or sustain life.

© 2006 Atmel Corporation. All rights reserved. Atmel®, logo and combinations thereof, Everywhere You Are® and others are registered trademarks or trademarks of Atmel Corporation or its subsidiaries. ARM®, ARM Powered® logo and others are registered trademarks or trademarks of ARM Ltd. TeakDSPCore™ is a trademark of DSP Group Inc. Other terms and product names may be trademarks of others.