

## Features

- One of a Family of Devices with User Memory of 1 Kbit to 64 Kbits
- Contactless 13.56 MHz RF Communications Interface
  - ISO/IEC 14443-2:2001 Type B Compliant
  - ISO/IEC 14443-3:2001 Type B Compliant Anticollision Protocol
  - Command Set Optimized for Multicard RF Communications
  - Tolerant of Type A Signaling for Multiprotocol Applications
- Integrated 82 pF Tuning Capacitor
- User EEPROM Memory
  - 2 Kbits Configured as Four 64-byte (512-bit) User Zones
  - Byte, Page, and Partial Page Write Modes
  - Self-timed Write Cycle
- 256-byte (2-Kbit) Configuration Zone
  - User-programmable Application Family Identifier (AFI)
  - User-defined Anticollision Polling Response
  - User-defined Keys and Passwords
- High-Security Features
  - 64-bit Mutual Authentication Protocol (under license of ELVA)
  - Encrypted Checksum
  - Stream Encryption
  - Four Key Sets for Authentication and Encryption
  - Four Sets of Two 24-bit Passwords
  - Password and Authentication Attempts Counters
  - Selectable Access Rights by Zone
  - Antitearing Function
  - Tamper Sensors
- High Reliability
  - Endurance: 100,000 Write Cycles
  - Data Retention: 10 Years
  - Operating Temperature: -40°C to +85°C

## Description

The CryptoRF® family integrates a 13.56 MHz RF interface into a CryptoMemory®, resulting in a contactless smart card with advanced security and cryptographic features. This device is optimized as a contactless secure memory, for RF smart cards, and secure data storage, without the requirement of an internal microprocessor.

For communications, the RF interface utilizes the ISO/IEC 14443-2 and -3 Type B bit timing and signal modulation schemes, and the ISO/IEC 14443-3 Slot-MARKER Anticollision Protocol. Data is exchanged half duplex at a 106-kbit/s rate, with a two-byte CRC\_B providing error detection capability. The maximum communication range between the reader antenna and contactless card is approximately 10 cm when used with an RFID reader that transmits the maximum ISO/IEC 14443-2 RF power level. The RF interface powers the other circuits; no battery is required. Full compliance with the ISO/IEC 14443-2 and -3 standards results in anticollision interoperability with the AT88RF020 2-Kbit RFID EEPROM product and provides both a proven RF communication interface and a robust anticollision protocol.

The AT88SC0204CRF contains 2 Kbits of user memory and 2 Kbits of configuration memory. The 2 Kbits of configuration memory contain four sets of read/write passwords, four crypto key sets, security access registers for each user zone, and password/key registers for each zone.

The CryptoRF command set is optimized for a multicard RF communications environment. A programmable AFI register allows this IC to be used in numerous applications in the same geographic area with seamless discrimination of cards assigned to a particular application during the anticollision process.



**13.56 MHz  
CryptoRF  
EEPROM Memory  
2 Kbits**

**AT88SC0204CRF**

**Summary**

Rev. 5022CS-CRRF-12/06

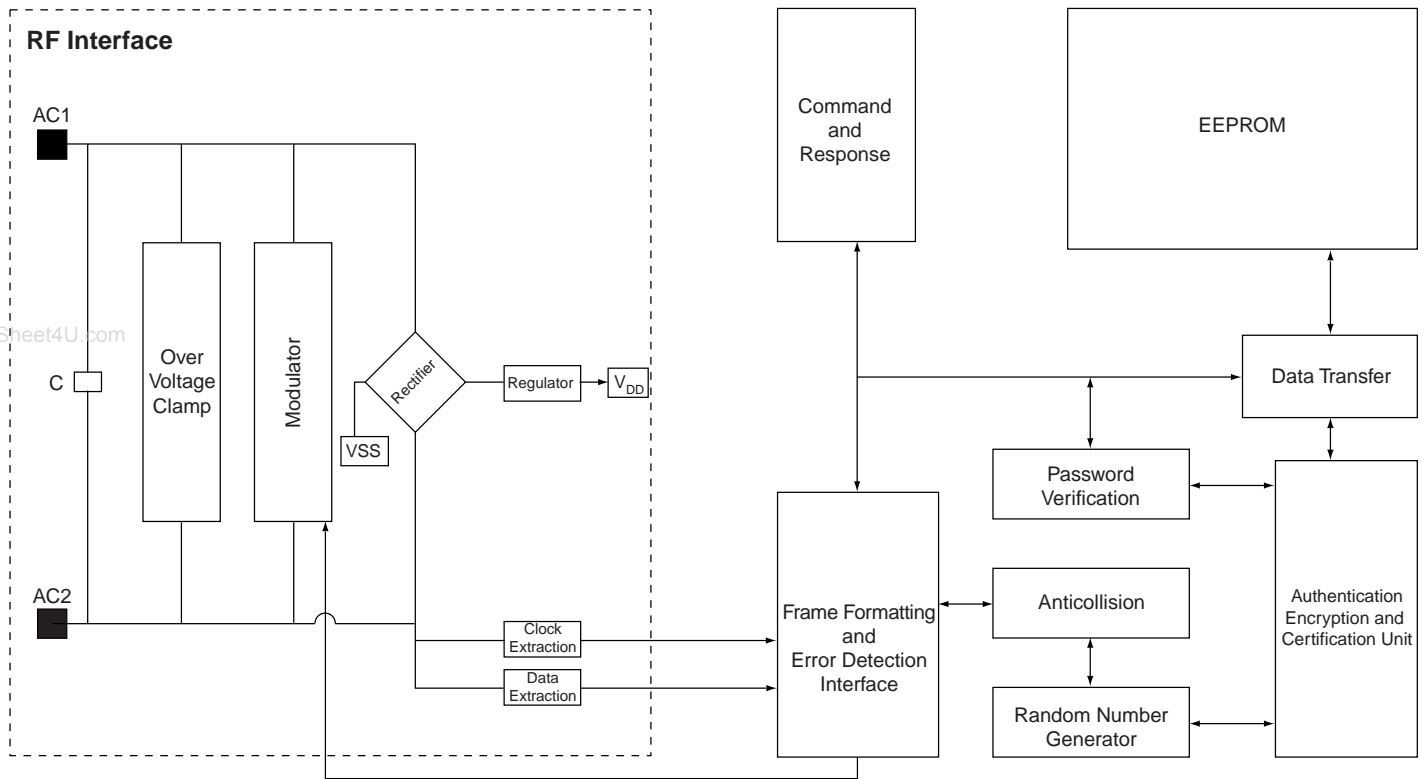


Note: This is a summary document. A complete document is available under NDA. For more information, please contact your local Atmel sales office.

[www.DataSheet4U.com](http://www.DataSheet4U.com)

## Block Diagram

Figure 1. Block Diagram



## Communications

All personalization and communication with this device is performed through the RF interface. The IC includes an integrated tuning capacitor, enabling it to operate with only the addition of a single external coil antenna.

The RF communications interface is fully compliant with the electrical signaling and RF power specifications in ISO/IEC 14443-2:2001 for Type B only. Anticollision operation and frame formatting are compliant with ISO/IEC 14443-3:2001 for Type B only.

ISO/IEC 14443 nomenclature is used in this specification where applicable. The following abbreviations are utilized throughout this document. Additional terms are defined in the section in which they are used.

- PCD – Proximity Coupling Device: the reader/writer and antenna
- PICC – Proximity Integrated Circuit Card: the tag/card containing the IC and antenna
- RFU – Reserved for Future Use: any feature, memory location, or bit that is held as reserved for future use
- \$ xx – Hexadecimal Number: denotes a hex number “xx” (Most Significant Bit on left)

## Anticollision Protocol

When the PICC enters the 13.56 MHz RF field of the host reader (PCD), it performs a power on reset (POR) function and waits silently for a valid Type B polling command. The CryptoRF PICC processes the antitearing registers as part of the POR process.

The PCD initiates the anticollision process by issuing an REQB or WUPB command. The WUPB command activates any card (PICC) in the field with a matching AFI code.

The REQB command performs the same function but does not affect a PICC in the Halt state. The CryptoRF command set is available only after the anticollision process has been completed.

**CRC Error Detection**

A two-byte CRC\_B is required in each frame transmitted by the PICC or PCD to permit transmission error detection. The CRC\_B is calculated on all of the command and data bytes in the frame. The SOF, EOF, start bits, stop bits, and EGT are not included in the CRC\_B calculation. The two-byte CRC\_B follows the data bytes in the frame.

**Figure 2.** Location of the Two CRC\_B Bytes within a Frame



www.DataSheet4U.com

**Type A Tolerance**

The RF Interface is designed for use in multiprotocol applications. It will not latch or lock up if exposed to Type A signals and will not respond to them. The PICC may reset in the presence of Type A field modulation but is not damaged by exposure to Type A signals.



## User Memory

The EEPROM user memory is divided into four user zones as shown in the memory map in Table 1. Multiple zones allow for different types of data or files to be stored in different zones. Access to the user zones is allowed only after security requirements have been met. These security requirements are defined by the user in the configuration memory during personalization of the device. The EEPROM memory page length is 16 bytes.

**Table 1.** Memory Map

Zone		\$0	\$1	\$2	\$3	\$4	\$5	\$6	\$7
User 0	\$00								
	–	64 Bytes							
	–								
	\$38								
User 1	\$00								
	–	64 Bytes							
	–								
	\$38								
User 2	\$00								
	–	64 Bytes							
	–								
	\$38								
User 3	\$00								
	–	64 Bytes							
	–								
	\$38								

www.DataSheet4U.com

## Configuration Memory

The configuration memory consists of 2048 bits of EEPROM memory used for storing system data, passwords, keys, codes, and security-level definitions for each user zone. Access rights to the configuration zone are defined in the control logic and may not be altered by the user. These access rights include the ability to program certain portions of the configuration memory and then lock the data written through use of the security fuses.

## Security Fuses

There are three fuses on the device that must be blown during the device personalization process. Each fuse locks certain portions of the configuration memory as OTP memory. Fuses are designated for the module manufacturer, card manufacturer and card issuer and must be blown in sequence.

## Communication Security

Communication between the PICC and reader operates in three basic modes. Standard mode is the default mode for the device after power-up and anticollision. Authentication mode is activated by a successful authentication sequence. Encryption mode is activated by a successful encryption activation, following a successful authentication.

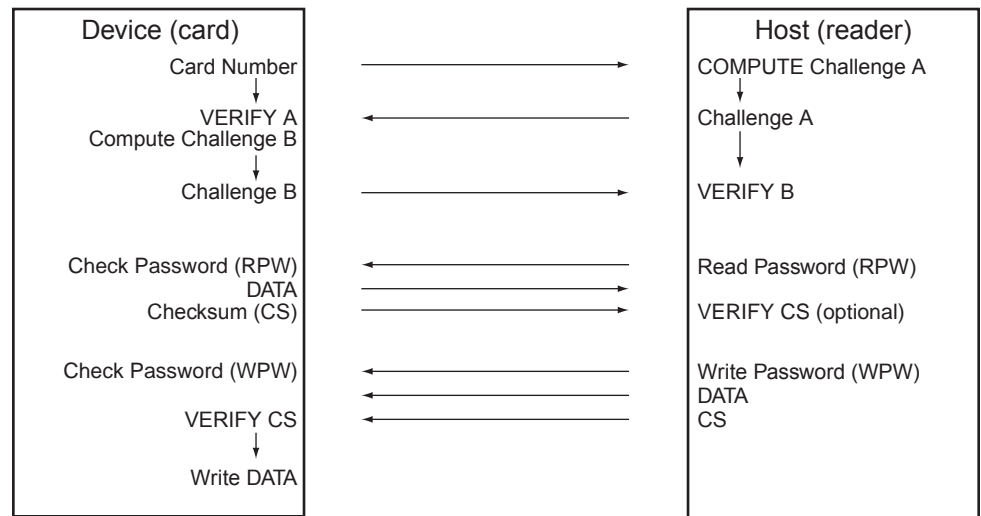
**Table 2.** Configuration Security Modes

Mode	User Data	Passwords	Data Integrity Check
Standard	clear	clear	MDC <sup>(1)</sup>
Authentication	clear	encrypted	MAC <sup>(2)</sup>
Encryption	encrypted	encrypted	MAC <sup>(2)</sup>

Notes: 1. Modification Detection Code  
2. Message Authentication Code

## Security Methodology

**Figure 3.** Security Methodology



## Memory Access

Depending on the device configuration, the host will carry out the authentication protocol and/or present different passwords for each operation: read or write. To insure security between the different user zones (multiapplication card), each zone can use a different set of passwords. A specific attempts counter for each password and for the authentication provides protection against systematic attacks.

## Security Operations

### Antitearing

In the event of a power loss during a write cycle, the integrity of the device's stored data may be recovered. This function is optional: the host may choose to activate the antitearing function depending on application requirements. When antitearing is active, write commands take longer to execute since more write cycles are required to complete them. Data writes are limited to 8-byte pages when antitearing is active.

Data is written first to a buffer zone in EEPROM instead of to the intended destination address, but with the same access conditions. The data is then written to the required location. If this second write cycle is interrupted due to a power loss, the device will automatically recover the data from the buffer zone at the next power-up.

### Password Verification

Passwords may be used to protect user zone read and/or write access. When a password is presented using the Check Password command, it is memorized and active until power is removed unless a new password is presented or a valid DESELECT or IDLE command is received. Only one password is active at a time, but write passwords also give read access.

### Authentication Protocol

The access to a user zone may be protected by an authentication protocol in addition to password dependent rights. Passwords are encrypted in authentication mode.

The authentication success is memorized and active as long as the chip is powered, unless a new authentication is initialized or a valid DESELECT or IDLE command is received. If the new authentication request is not validated, the card loses its previous authentication and it must be presented again. Only the last request is memorized.

### Encryption

The data exchanged between the card and the reader during Read, Write, and Check Password commands may be encrypted to ensure data confidentiality.

The issuer may choose to protect the access to a user zone with an encryption key by settings made in the configuration memory. In that case, activation of the encryption mode is required in order to read/write data in the zone.

The encryption activation success is memorized and active as long as the chip is powered, unless a new initialization is initiated or a valid DESELECT or IDLE command is received. If the new encryption activation request is not validated, the card will no longer encrypt data during read operations nor will it decrypt data received during write or Check Password operations.

### Checksum

The PICC implements a data validity check function in the form of a checksum. The checksum may function in standard or cryptographic mode. In the standard mode, the checksum is optional and may be used for transmission error detection. The cryptographic mode is more powerful since it provides data origin authentication capability in the form of a Message Authentication Code (MAC). To write data to the device, the host is required to compute a valid MAC and provide it to the device. If after an ingoing command the device computes a MAC different from the MAC transmitted by the host, not only is the command abandoned but the cryptographic mode is also reset. A new authentication is required to reactivate the cryptographic mode.

### Initial Device Programming

CryptoRF is delivered with all security features disabled. To program the polling response or enable the security features of CryptoRF the device must be personalized by programming several registers. This is accomplished by programming the configuration memory using simple write and read commands.

## Transport Password

To gain access to the configuration memory, a transport password known as the secure code must be presented using the Check Password command. The secure code for AT88SC0204CRF is \$20 C2 8B.

## Tuning Capacitance

The capacitance between the coil pins AC1 and AC2 is 82 pF nominal and may vary  $\pm 10\%$  over temperature and process variation.

## Reliability

**Table 3.** Reliability

Parameter	Min	Typ	Max	Units
Write endurance	100,000	–	–	Write Cycles
Data retention	10	–	–	Years

www.DataSheet4U.com

## Mechanical

### Engineering Samples

Sample Code	Sample Description	Maximum Range
AT88SC0204CRF-MR1	R Module, 82 pF, on 35 mm tape	
AT88SC0204CRF-L01B	RF Smart Card, ID-1 size, PVC	8–10 cm
AT88SC0204CRF-MU1	RFID Tag, 17 mm diameter, on 35 mm tape	1–3 cm
AT88SC0204CRF-MS1	RFID Tag, 10 x 20 mm size, on 35 mm tape	10–15 mm

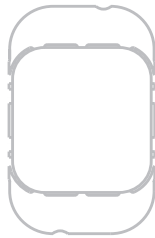
## Ordering Information

Ordering Code	Package	Tuning Capacitor	Temperature Range
AT88SC0204CRF-MR1	R Module	82 pF	Commercial (0° C to 70° C)
AT88SC0204CRF-WA1	6 mil wafer, 150 mm diameter	82 pF	Industrial (-40° C to 85° C)

Package Type	Description
R Module	2- lead RF Smart Card Module, XOA2 style, RoHS compliant

## Packaging Information

### Ordering Code: AT88SCxxxxCRF-MR1



Module Size: **M5**  
 Dimension: 5.06 x 8.00 [mm]  
 Glob Top: Square - 4.8 x 5.1 [mm]  
 Thickness: 0.38 [mm]  
 Pitch: 9.5 [mm]





## Atmel Corporation

2325 Orchard Parkway  
San Jose, CA 95131, USA  
Tel: 1(408) 441-0311  
Fax: 1(408) 487-2600

## Regional Headquarters

### Europe

Atmel Sarl  
Route des Arsenaux 41  
Case Postale 80  
CH-1705 Fribourg  
Switzerland  
Tel: (41) 26-426-5555  
Fax: (41) 26-426-5500

### Asia

Room 1219  
Chinachem Golden Plaza  
77 Mody Road Tsimshatsui  
East Kowloon  
Hong Kong  
Tel: (852) 2721-9778  
Fax: (852) 2722-1369

### Japan

9F, Tonetsu Shinkawa Bldg.  
1-24-8 Shinkawa  
Chuo-ku, Tokyo 104-0033  
Japan  
Tel: (81) 3-3523-3551  
Fax: (81) 3-3523-7581

## Atmel Operations

### Memory

2325 Orchard Parkway  
San Jose, CA 95131, USA  
Tel: 1(408) 441-0311  
Fax: 1(408) 436-4314

### Microcontrollers

2325 Orchard Parkway  
San Jose, CA 95131, USA  
Tel: 1(408) 441-0311  
Fax: 1(408) 436-4314

La Chantrerie  
BP 70602  
44306 Nantes Cedex 3, France  
Tel: (33) 2-40-18-18-18  
Fax: (33) 2-40-18-19-60

### ASIC/ASSP/Smart Cards

Zone Industrielle  
13106 Rousset Cedex, France  
Tel: (33) 4-42-53-60-00  
Fax: (33) 4-42-53-60-01

1150 East Cheyenne Mtn. Blvd.  
Colorado Springs, CO 80906, USA  
Tel: 1(719) 576-3300  
Fax: 1(719) 540-1759

Scottish Enterprise Technology Park  
Maxwell Building  
East Kilbride G75 0QR, Scotland  
Tel: (44) 1355-803-000  
Fax: (44) 1355-242-743

### RF/Automotive

Theresienstrasse 2  
Postfach 3535  
74025 Heilbronn, Germany  
Tel: (49) 71-31-67-0  
Fax: (49) 71-31-67-2340

1150 East Cheyenne Mtn. Blvd.  
Colorado Springs, CO 80906, USA  
Tel: 1(719) 576-3300  
Fax: 1(719) 540-1759

### Biometrics/Imaging/Hi-Rel MPU/ High Speed Converters/RF Datacom

Avenue de Rochepleine  
BP 123  
38521 Saint-Egreve Cedex, France  
Tel: (33) 4-76-58-47-50  
Fax: (33) 4-76-58-47-60

---

### Literature Requests

[www.atmel.com/literature](http://www.atmel.com/literature)

**Disclaimer:** The information in this document is provided in connection with Atmel products. No license, express or implied, by estoppel or otherwise, to any intellectual property right is granted by this document or in connection with the sale of Atmel products. **EXCEPT AS SET FORTH IN ATMEL'S TERMS AND CONDITIONS OF SALE LOCATED ON ATMEL'S WEB SITE, ATMEL ASSUMES NO LIABILITY WHATSOEVER AND DISCLAIMS ANY EXPRESS, IMPLIED OR STATUTORY WARRANTY RELATING TO ITS PRODUCTS INCLUDING, BUT NOT LIMITED TO, THE IMPLIED WARRANTY OF MERCHANTABILITY, FITNESS FOR A PARTICULAR PURPOSE, OR NON-INFRINGEMENT. IN NO EVENT SHALL ATMEL BE LIABLE FOR ANY DIRECT, INDIRECT, CONSEQUENTIAL, PUNITIVE, SPECIAL OR INCIDENTAL DAMAGES (INCLUDING, WITHOUT LIMITATION, DAMAGES FOR LOSS OF PROFITS, BUSINESS INTERRUPTION, OR LOSS OF INFORMATION) ARISING OUT OF THE USE OR INABILITY TO USE THIS DOCUMENT, EVEN IF ATMEL HAS BEEN ADVISED OF THE POSSIBILITY OF SUCH DAMAGES.** Atmel makes no representations or warranties with respect to the accuracy or completeness of the contents of this document and reserves the right to make changes to specifications and product descriptions at any time without notice. Atmel does not make any commitment to update the information contained herein. Unless specifically provided otherwise, Atmel products are not suitable for, and shall not be used in, automotive applications. Atmel's products are not intended, authorized, or warranted for use as components in applications intended to support or sustain life.

©2006 Atmel Corporation. **All rights reserved.** Atmel®, logo and combinations thereof, Everywhere You Are®, CryptoMemory®, CryptoRF® and others are registered trademarks or trademarks of Atmel Corporation or its subsidiaries. Other terms and product names may be trademarks of others.



Printed on recycled paper.

5022CS-CRRF-12/06  
[www.DataSheet4U.com](http://www.DataSheet4U.com)