

1. Features

- **Low-voltage and Standard-voltage Operation**
 - 2.7 ($V_{CC} = 2.7V$ to 5.5V)
 - 1.8 ($V_{CC} = 1.8V$ to 5.5V)
- **User-selectable Internal Organization**
 - 2K: 256 x 8 or 128 x 16
 - 4K: 512 x 8 or 256 x 16
- **Three-wire Serial Interface**
- **Sequential Read Operation**
- **2 MHz Clock Rate (5V)**
- **Self-timed Write Cycle (10 ms Max)**
- **High Reliability**
 - **Endurance: 1 Million Write Cycles**
 - **Data Retention: 100 Years**
- **Automotive Devices Available**
- **8-lead JEDEC PDIP, 8-lead JEDEC SOIC, 8-lead EIAJ SOIC, 8-lead Ultra Thin mini-MAP (MLP 2x3), 8-lead Ultra Lead Frame Land Grid Array (ULA), 8-lead TSSOP and 8-ball dBGA2 Packages**

2. Description

The AT93C56A/66A provides 2048/4096 bits of serial electrically erasable programmable read-only memory (EEPROM) organized as 128/256 words of 16 bits each (when the ORG pin is connected to VCC) and 256/512 words of 8 bits each (when the ORG pin is tied to ground). The device is optimized for use in many industrial and commercial applications where low-power and low-voltage operations are essential. The AT93C56A/66A is available in space-saving 8-lead PDIP, 8-lead JEDEC SOIC, 8-lead EIAJ SOIC, 8-lead Ultra Thin mini-MAP (MLP 2x3), 8-lead Ultra Lead Frame Land Grid Array (ULA), 8-lead TSSOP, and 8-ball dBGA2 packages.

The AT93C56A/66A is enabled through the Chip Select pin (CS) and accessed via a three-wire serial interface consisting of Data Input (DI), Data Output (DO), and Shift Clock (SK). Upon receiving a read instruction at DI, the address is decoded and the data is clocked out serially on the data output pin DO. The write cycle is completely self-timed and no separate erase cycle is required before write. The write cycle is only enabled when the part is in the Erase/Write Enable State. When CS is brought “high” following the initiation of a write cycle, the DO pin outputs the Ready/Busy status of the part.

The AT93C56A/66A is available in 2.7V to 5.5V and 1.8V to 5.5V versions.



Three-wire Serial EEPROM

2K (256 x 8 or 128 x 16)

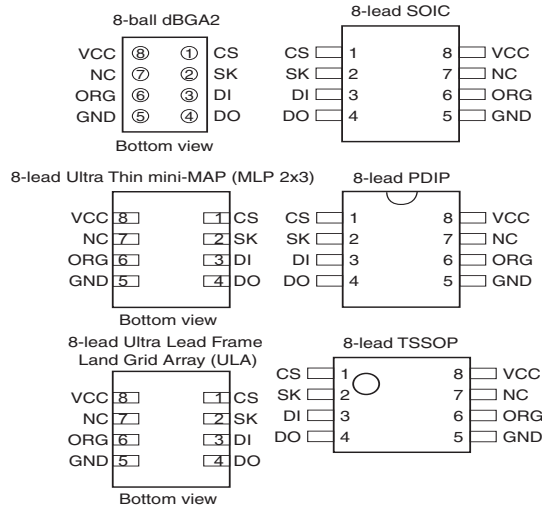
4K (512 x 8 or 256 x 16)

AT93C56A AT93C66A

**Not Recommended
for New Design.
Replaced by
AT93C56B or
AT93C66B.**

Table 2-1. Pin Configurations

| Pin Name | Function |
|----------|-----------------------|
| CS | Chip Select |
| SK | Serial Data Clock |
| DI | Serial Data Input |
| DO | Serial Data Output |
| GND | Ground |
| VCC | Power Supply |
| ORG | Internal Organization |
| NC | No Connect |

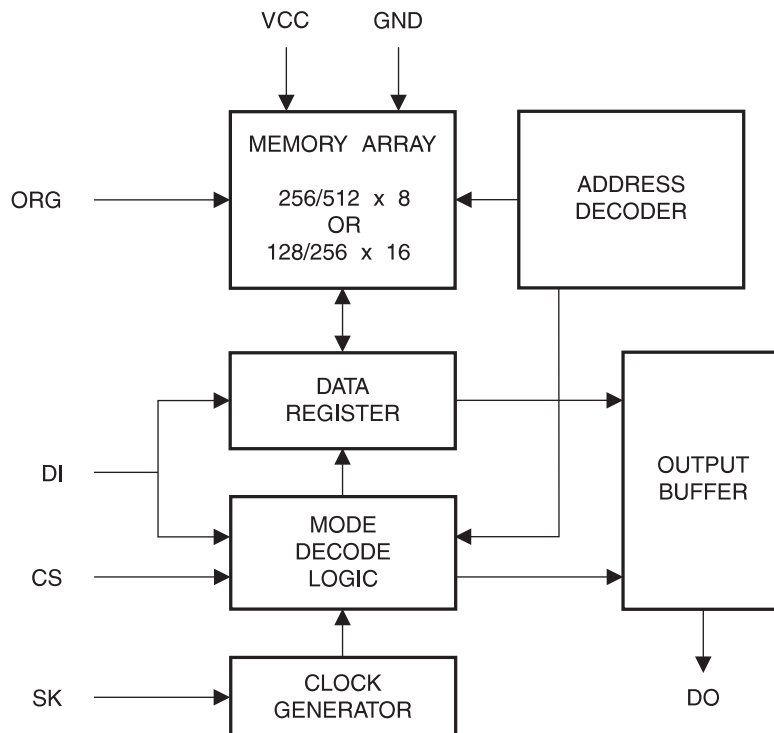


3. Absolute Maximum Ratings*

| | |
|---|-----------------|
| Operating Temperature | -55°C to +125°C |
| Storage Temperature | -65°C to +150°C |
| Voltage on Any Pin with Respect to Ground | -1.0V to +7.0V |
| Maximum Operating Voltage | 6.25V |
| DC Output Current..... | 5.0 mA |

***NOTICE:** Stresses beyond those listed under “Absolute Maximum Ratings” may cause permanent damage to the device. This is a stress rating only, and functional operation of the device at these or any other conditions beyond those indicated in the operational sections of this specification is not implied. Exposure to absolute maximum rating conditions for extended periods may affect device reliability

Figure 3-1. Block Diagram



Note: When the ORG pin is connected to VCC, the x 16 organization is selected. When it is connected to ground, the x 8 organization is selected. If the ORG pin is left unconnected and the application does not load the input beyond the capability of the internal 1 Meg ohm pullup, then the x 16 organization is selected.

Table 3-1. Pin Capacitance^(Note:)

 Applicable over recommended operating range from $T_A = 25^\circ\text{C}$, $f = 1.0\text{ MHz}$, $V_{CC} = +5.0\text{V}$ (unless otherwise noted)

| Symbol | Test Conditions | Max | Units | Conditions |
|-----------|--------------------------------|-----|-------|-----------------------|
| C_{OUT} | Output Capacitance (DO) | 5 | pF | $V_{OUT} = 0\text{V}$ |
| C_{IN} | Input Capacitance (CS, SK, DI) | 5 | pF | $V_{IN} = 0\text{V}$ |

Note: 1. This parameter is characterized and is not 100% tested.

Table 3-2. DC Characteristics

 Applicable over recommended operating range from: $T_{AI} = -40^\circ\text{C}$ to $+85^\circ\text{C}$, $V_{CC} = +1.8\text{V}$ to $+5.5\text{V}$, $V_{CC} = +1.8\text{V}$ to $+5.5\text{V}$ (unless otherwise noted)

| Symbol | Parameter | Test Condition | Min | Typ | Max | Unit | |
|--|---|--|------------------------------|-----------------------------|------|-------------------------------------|---------------|
| V_{CC1} | Supply Voltage | | 1.8 | | 5.5 | V | |
| V_{CC2} | Supply Voltage | | 2.7 | | 5.5 | V | |
| V_{CC3} | Supply Voltage | | 4.5 | | 5.5 | V | |
| I_{CC} | Supply Current | $V_{CC} = 5.0\text{V}$ | READ at 1.0 MHz | | 0.5 | 2.0 | mA |
| | | | WRITE at 1.0 MHz | | 0.5 | 2.0 | mA |
| I_{SB1} | Standby Current | $V_{CC} = 1.8\text{V}$ | CS = 0V | | 0.4 | 1.0 | μA |
| I_{SB2} | Standby Current | $V_{CC} = 2.7\text{V}$ | CS = 0V | | 6.0 | 10.0 | μA |
| I_{SB3} | Standby Current | $V_{CC} = 5.0\text{V}$ | CS = 0V | | 10.0 | 15.0 | μA |
| I_{IL} | Input Leakage | $V_{IN} = 0\text{V}$ to V_{CC} | | | 0.1 | 3.0 | μA |
| I_{OL} | Output Leakage | $V_{IN} = 0\text{V}$ to V_{CC} | | | 0.1 | 3.0 | μA |
| V_{IL1} ^(Note:) V_{IH1} ^(Note:) | Input Low Voltage Input High Voltage | $2.7\text{V} \leq V_{CC} \leq 5.5\text{V}$ | | -0.6 2.0 | | 0.8 $V_{CC} + 1$ | V |
| V_{IL2} ^(Note:) V_{IH2} ^(Note:) | Input Low Voltage Input High Voltage | $1.8\text{V} \leq V_{CC} \leq 2.7\text{V}$ | | -0.6 $V_{CC} \times 0.7$ | | $V_{CC} \times 0.3$ $V_{CC} + 1$ | V |
| V_{OL1} V_{OH1} | Output Low Voltage Output High Voltage | $2.7\text{V} \leq V_{CC} \leq 5.5\text{V}$ | $I_{OL} = 2.1\text{ mA}$ | | | 0.4 | V |
| | | | $I_{OH} = -0.4\text{ mA}$ | | 2.4 | | V |
| V_{OL2} V_{OH2} | Output Low Voltage Output High Voltage | $1.8\text{V} \leq V_{CC} \leq 2.7\text{V}$ | $I_{OL} = 0.15\text{ mA}$ | | | 0.2 | V |
| | | | $I_{OH} = -100\ \mu\text{A}$ | $V_{CC} - 0.2$ | | | V |

 Note: 1. V_{IL} min and V_{IH} max are reference only and are not tested.

Table 3-3. AC Characteristics

Applicable over recommended operating range from $T_{AI} = -40^{\circ}\text{C}$ to $+85^{\circ}\text{C}$, $V_{CC} = \text{As Specified}$,
 $CL = 1$ TTL Gate and 100 pF (unless otherwise noted)

| Symbol | Parameter | Test Condition | Min | Typ | Max | Units |
|------------------------------|----------------------------|--|-------------|-----|----------------|--------------|
| f_{SK} | SK Clock Frequency | $4.5V \leq V_{CC} \leq 5.5V$ $2.7V \leq V_{CC} \leq 5.5V$ $1.8V \leq V_{CC} \leq 5.5V$ | 0 0 0 | | 2 1 0.25 | MHz |
| t_{SKH} | SK High Time | $2.7V \leq V_{CC} \leq 5.5V$ $1.8V \leq V_{CC} \leq 5.5V$ | 250 1000 | | | ns |
| t_{SKL} | SK Low Time | $2.7V \leq V_{CC} \leq 5.5V$ $1.8V \leq V_{CC} \leq 5.5V$ | 250 1000 | | | ns |
| t_{CS} | Minimum CS Low Time | $2.7V \leq V_{CC} \leq 5.5V$ $1.8V \leq V_{CC} \leq 5.5V$ | 250 1000 | | | ns |
| t_{CSS} | CS Setup Time | Relative to SK $2.7V \leq V_{CC} \leq 5.5V$ $1.8V \leq V_{CC} \leq 5.5V$ | 50 200 | | | ns |
| t_{DIS} | DI Setup Time | Relative to SK $2.7V \leq V_{CC} \leq 5.5V$ $1.8V \leq V_{CC} \leq 5.5V$ | 100 400 | | | ns |
| t_{CSH} | CS Hold Time | Relative to SK | 0 | | | ns |
| t_{DIH} | DI Hold Time | Relative to SK $2.7V \leq V_{CC} \leq 5.5V$ $1.8V \leq V_{CC} \leq 5.5V$ | 100 400 | | | ns |
| t_{PD1} | Output Delay to "1" | AC Test $2.7V \leq V_{CC} \leq 5.5V$ $1.8V \leq V_{CC} \leq 5.5V$ | | | 250 1000 | ns |
| t_{PD0} | Output Delay to "0" | AC Test $2.7V \leq V_{CC} \leq 5.5V$ $1.8V \leq V_{CC} \leq 5.5V$ | | | 250 1000 | ns |
| t_{SV} | CS to Status Valid | AC Test $2.7V \leq V_{CC} \leq 5.5V$ $1.8V \leq V_{CC} \leq 5.5V$ | | | 250 1000 | ns |
| t_{DF} | CS to DO in High Impedance | AC Test CS = V_{IL} $2.7V \leq V_{CC} \leq 5.5V$ $1.8V \leq V_{CC} \leq 5.5V$ | | | 150 400 | ns |
| t_{WP} | Write Cycle Time | $1.8V \leq V_{CC} \leq 5.5V$ | 0.1 | 3 | 10 | ms |
| Endurance ^(Note:) | 5.0V, 25°C | | 1M | | | Write Cycles |

Note: 1. This parameter is characterized and is not 100% tested.

Table 3-4. Instruction Set for the AT93C56A and AT93C66A

| Instruction | SB | Op Code | Address | | Data | | Comments |
|-------------|----|---------|-------------|-------------|-------------|----------------|---|
| | | | x 8 | x 16 | x 8 | x 16 | |
| READ | 1 | 10 | $A_8 - A_0$ | $A_7 - A_0$ | | | Reads data stored in memory, at specified address. |
| EWEN | 1 | 00 | 11XXXXXXXX | 11XXXXXX | | | Write enable must precede all programming modes. |
| ERASE | 1 | 11 | $A_8 - A_0$ | $A_7 - A_0$ | | | Erases memory location $A_n - A_0$. |
| WRITE | 1 | 01 | $A_8 - A_0$ | $A_7 - A_0$ | $D_7 - D_0$ | $D_{15} - D_0$ | Writes memory location $A_n - A_0$. |
| ERAL | 1 | 00 | 10XXXXXXXX | 10XXXXXX | | | Erases all memory locations. Valid only at $V_{CC} = 4.5V$ to $5.5V$. |
| WRAL | 1 | 00 | 01XXXXXXXX | 01XXXXXX | $D_7 - D_0$ | $D_{15} - D_0$ | Writes all memory locations. Valid only at $V_{CC} = 5.0V \pm 10\%$ and Disable Register cleared. |
| EWDS | 1 | 00 | 00XXXXXXXX | 00XXXXXX | | | Disables all programming instructions. |

Note: The X's in the address field represent don't care values and must be clocked.

4. Functional Description

The AT93C56A/66A is accessed via a simple and versatile three-wire serial communication interface. Device operation is controlled by seven instructions issued by the host processor. **A valid instruction starts with a rising edge of CS** and consists of a Start Bit (logic “1”) followed by the appropriate Op Code and the desired memory address location.

READ (READ): The Read (READ) instruction contains the address code for the memory location to be read. After the instruction and address are decoded, data from the selected memory location is available at the serial output pin DO. Output data changes are synchronized with the rising edges of serial clock SK. It should be noted that a dummy bit (logic “0”) precedes the 8- or 16-bit data output string. The AT93C56A/66A supports sequential read operations. The device will automatically increment the internal address pointer and clock out the next memory location as long as Chip Select (CS) is held high. In this case, the dummy bit (logic “0”) will not be clocked out between memory locations, thus allowing for a continuous stream of data to be read.

ERASE/WRITE (EWEN): To assure data integrity, the part automatically goes into the Erase/Write Disable (EWDS) state when power is first applied. An Erase/Write Enable (EWEN) instruction must be executed first before any programming instructions can be carried out. Please note that once in the EWEN state, programming remains enabled until an EWDS instruction is executed or V_{CC} power is removed from the part.

ERASE (ERASE): The Erase instruction programs all bits in the specified memory location to the logical “1” state. The self-timed erase cycle starts once the ERASE instruction and address are decoded. The DO pin outputs the Ready/Busy status of the part if CS is brought high after being kept low for a minimum of 250 ns (t_{CS}). A logic “1” at pin DO indicates that the selected memory location has been erased, and the part is ready for another instruction.

WRITE (WRITE): The Write (WRITE) instruction contains the 8 or 16 bits of data to be written into the specified memory location. The self-timed programming cycle t_{WP} starts after the last bit of data is received at serial data input pin DI. The DO pin outputs the Ready/Busy status of the part if CS is brought high after being kept low for a minimum of 250 ns (t_{CS}). A logic “0” at DO indicates that programming is still in progress. A logic “1” indicates that the memory location at the specified address has been written with the data pattern contained in the instruction and the part is ready for further instructions. **A READY/BUSY status cannot be obtained if the CS is brought high after the end of the self-timed programming cycle t_{WP} .**

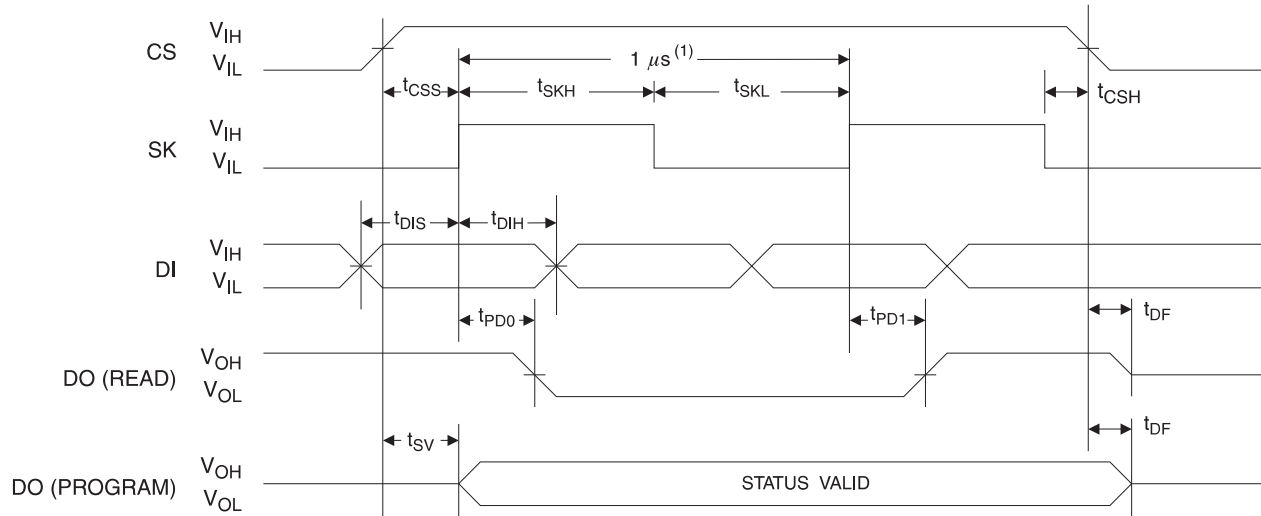
ERASE ALL (ERAL): The Erase All (ERAL) instruction programs every bit in the memory array to the logic “1” state and is primarily used for testing purposes. The DO pin outputs the Ready/Busy status of the part if CS is brought high after being kept low for a minimum of 250 ns (t_{CS}). The ERAL instruction is valid only at $V_{CC} = 5.0V \pm 10\%$.

WRITE ALL (WRAL): The Write All (WRAL) instruction programs all memory locations with the data patterns specified in the instruction. The DO pin outputs the Ready/Busy status of the part if CS is brought high after being kept low for a minimum of 250 ns (t_{CS}). The WRAL instruction is valid only at $V_{CC} = 5.0V \pm 10\%$.

ERASE/WRITE DISABLE (EWDS): To protect against accidental data disturb, the Erase/Write Disable (EWDS) instruction disables all programming modes and should be executed after all programming operations. The operation of the READ instruction is independent of both the EWEN and EWDS instructions and can be executed at any time.

5. Timing Diagrams

Figure 5-1. Synchronous Data Timing



Note: 1. This is the minimum SK period.

Table 5-1. Organization Key for Timing Diagrams

| I/O | AT93C56A (2K) | | AT93C66A (4K) | |
|-------|---------------|-------------|---------------|----------|
| | x 8 | x 16 | x 8 | x 16 |
| A_N | $A_8^{(1)}$ | $A_7^{(2)}$ | A_8 | A_7 |
| D_N | D_7 | D_{15} | D_7 | D_{15} |

Notes: 1. A_8 is a DON'T CARE value, but the extra clock is required.
 2. A_7 is a DON'T CARE value, but the extra clock is required.

Figure 5-2. READ Timing

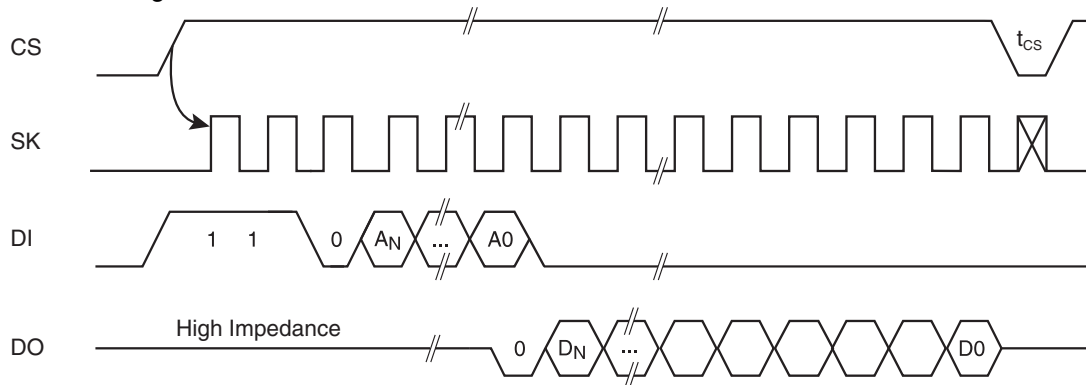


Figure 5-3. EWEN Timing

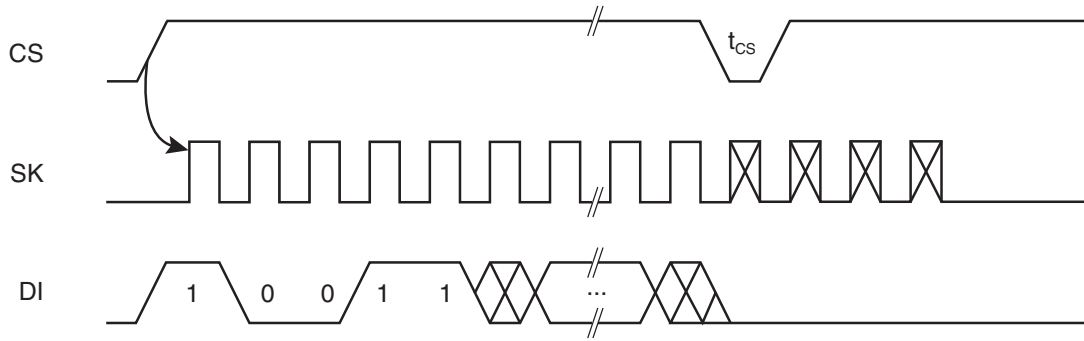


Figure 5-4. EWDS Timing

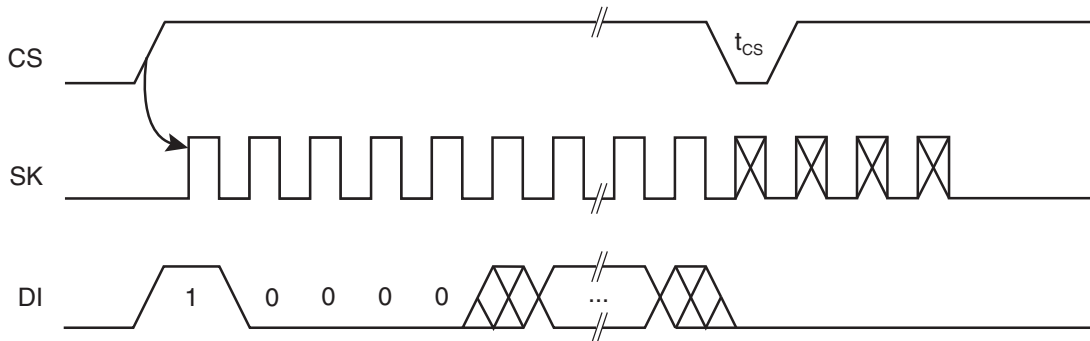


Figure 5-5. WRITE Timing

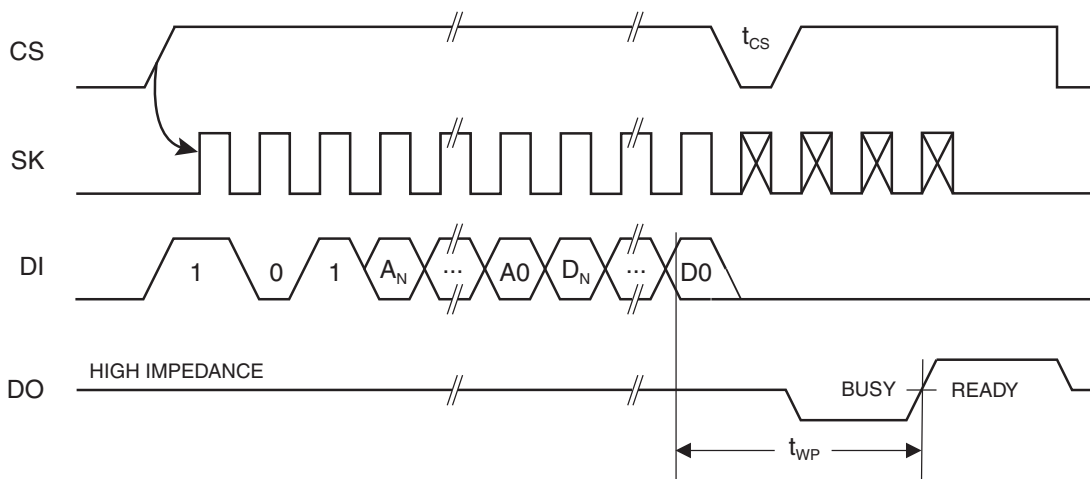
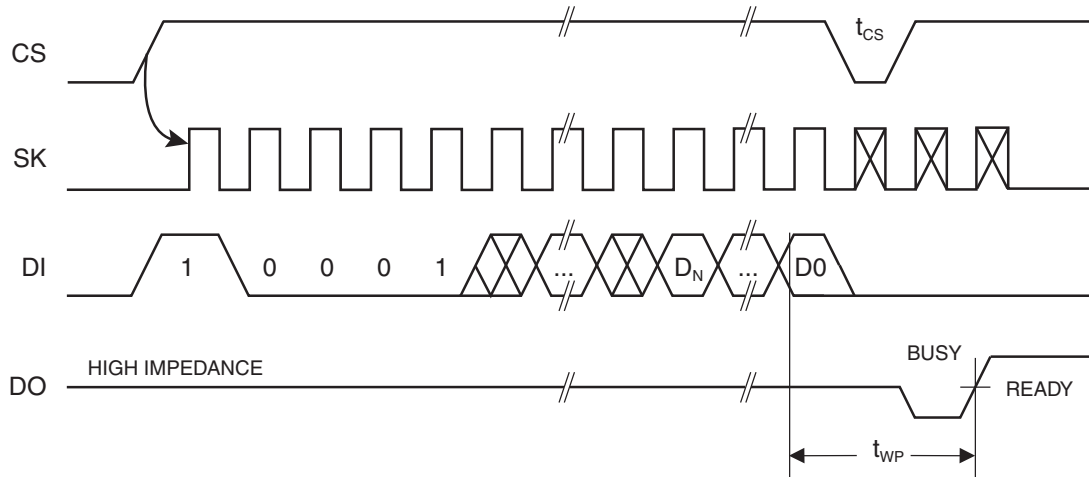


Figure 5-6. WRAL Timing⁽¹⁾



Note: 1. Valid only at $V_{CC} = 4.5V$ to $5.5V$.

Figure 5-7. ERASE Timing

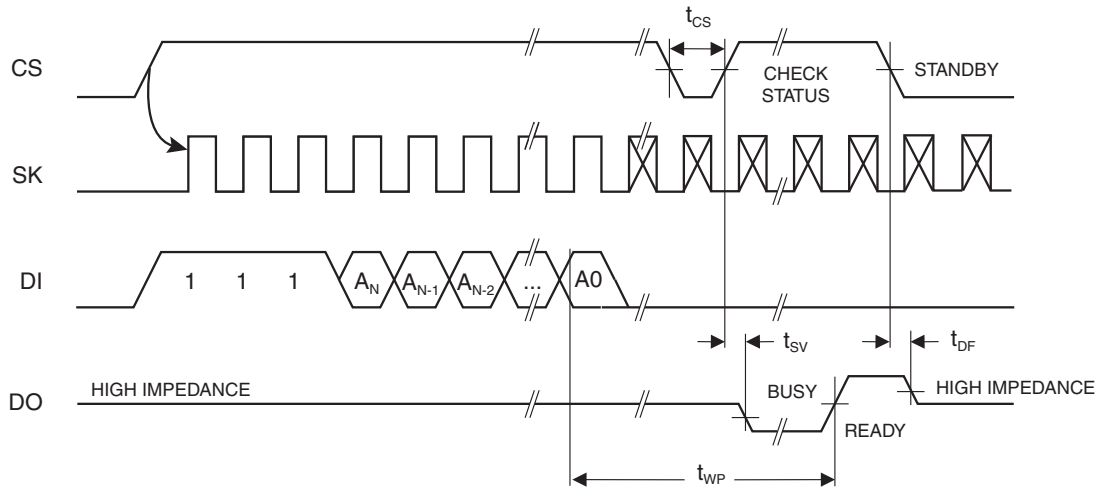
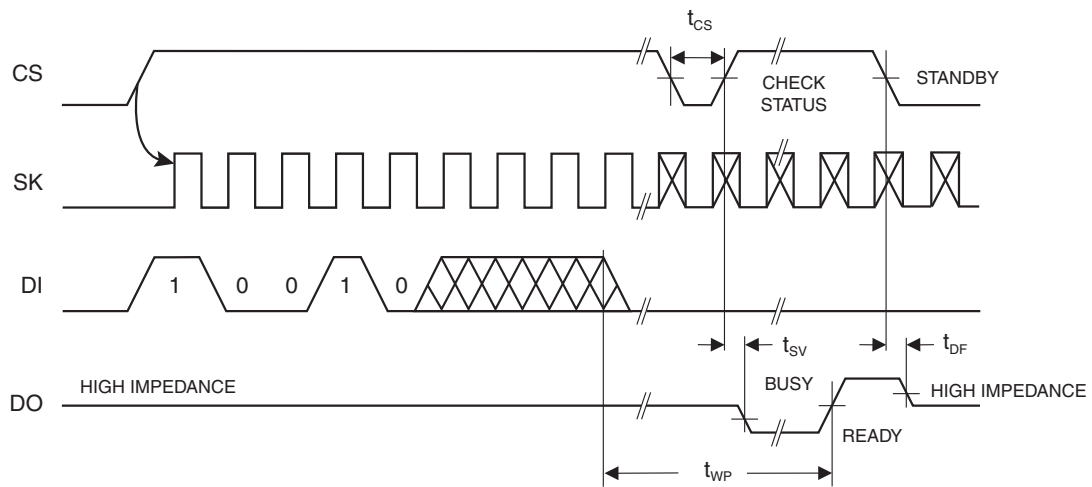


Figure 5-8. ERAL Timing⁽¹⁾



Note: 1. Valid only at $V_{CC} = 4.5V$ to $5.5V$.



6. AT93C56A Ordering Information⁽¹⁾

| Ordering Code | Package | Operation Range |
|---|-----------|--|
| AT93C56A-10PU-2.7 ⁽²⁾ | 8P3 | Lead-free/Halogen-free/ Industrial Temperature (-40°C to 85°C) |
| AT93C56A-10PU-1.8 ⁽²⁾ | 8P3 | |
| AT93C56A-10SU-2.7 ⁽²⁾ | 8S1 | |
| AT93C56A-10SU-1.8 ⁽²⁾ | 8S1 | |
| AT93C56AW-10SU-2.7 ⁽²⁾ | 8S2 | |
| AT93C56AW-10SU-1.8 ⁽²⁾ | 8S2 | |
| AT93C56A-10TU-2.7 ⁽²⁾ | 8A2 | |
| AT93C56A-10TU-1.8 ⁽²⁾ | 8A2 | |
| AT93C56AU3-10UU-1.8 ⁽²⁾ | 8U3-1 | |
| AT93C56AD3-10DH-1.8 ⁽³⁾ | 8D3 | |
| AT93C56AY1-10YU-1.8 ⁽²⁾ (Not recommended for new design) | 8Y1 | |
| AT93C56AY6-10YH-1.8 ⁽³⁾ | 8Y6 | |
| AT93C56A-W1.8-11 ⁽⁴⁾ | Die Sales | Industrial Temperature (-40°C to 85°C) |

- Notes:
1. For 2.7V devices used in the 4.5V to 5.5V range, please refer to performance values in the AC and DC characteristics table.
 2. "U" designates Green package + RoHS compliant.
 3. "H" designates Green package + RoHS compliant, with NiPdAu Lead Finish.
 4. Available in waffle pack and wafer form; order as SL788 for inkless wafer form. Bumped die available upon request. Please contact Serial Marketing.

| Package Type | |
|--------------|--|
| 8P3 | 8-lead, 0.300" Wide, Plastic Dual Inline Package (PDIP) |
| 8S1 | 8-lead, 0.150" Wide, Plastic Gull Wing Small Outline (JEDEC SOIC) |
| 8S2 | 8-lead, 0.200" Wide, Plastic Gull Wing Small Outline (EIAJ SOIC) |
| 8A2 | 8-lead, 0.170" Wide, Thin Shrink Small Outline Package (TSSOP) |
| 8U3-1 | 8-ball, die Ball Grid Array Package (dBGAA2) |
| 8Y1 | 8-lead, 4.90 mm x 3.00 mm Body, Dual Footprint, Non-leaded, Miniature Array Package (MAP) |
| 8Y6 | 8-lead, 2.00 mm x 3.00 mm Body, 0.50 mm Pitch, Ultra Thin Mini-MAP, Dual No Lead package (DFN), (MLP 2x3 mm) |
| 8D3 | 8-lead, 1.80 mm x 2.20 mm Body, Ultra Lead Frame Land Grid Array (ULA) |
| Options | |
| -2.7 | Low-voltage (2.7V to 5.5V) |
| -1.8 | Low-voltage (1.8V to 5.5V) |

7. AT93C66A Ordering Information⁽¹⁾

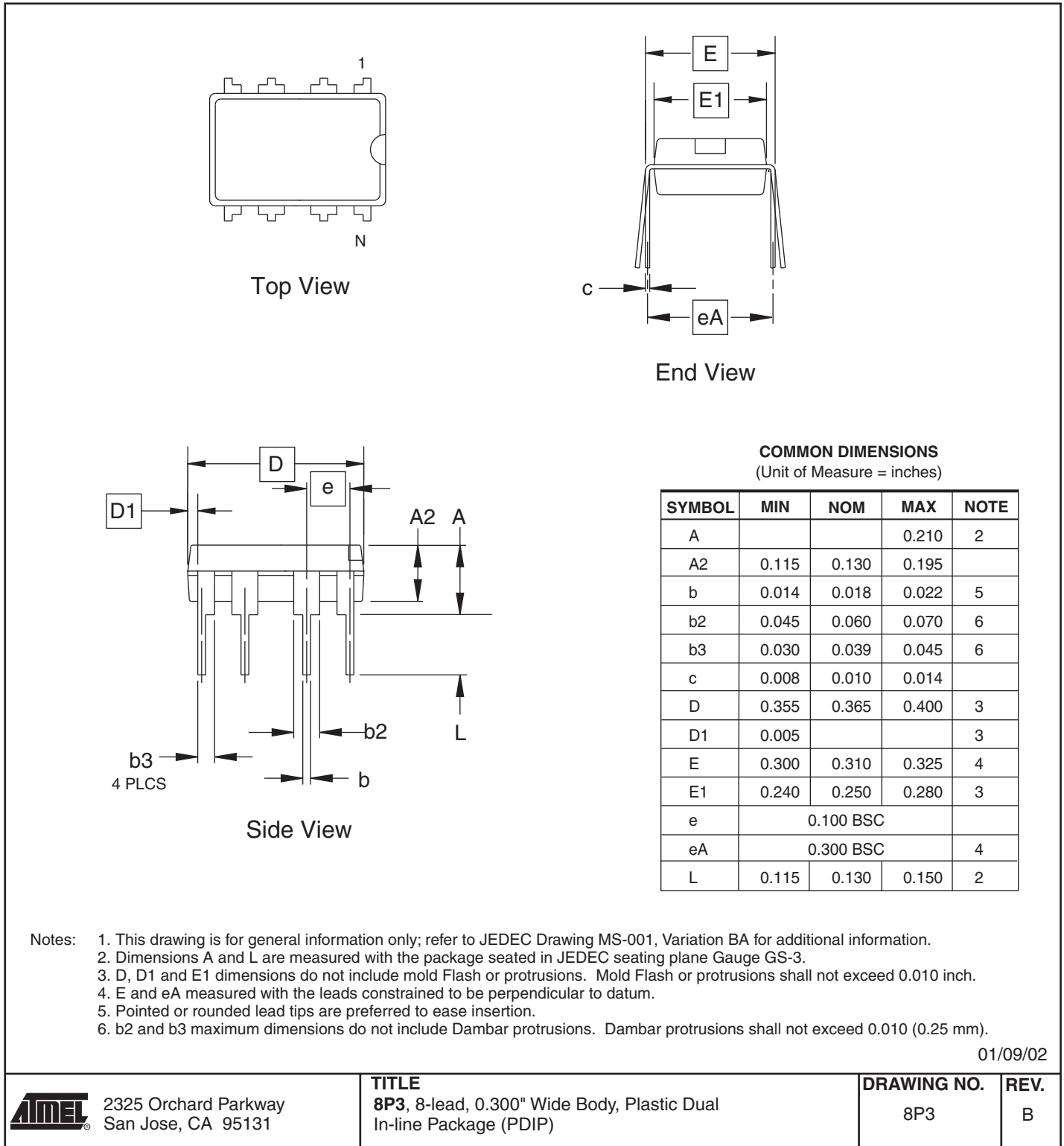
| Ordering Code | Package | Operation Range |
|---|----------|--|
| AT93C66A-10PU-2.7 ⁽²⁾ | 8P3 | Lead-free/Halogen-free/ Industrial Temperature (-40°C to 85°C) |
| AT93C66A-10PU-1.8 ⁽²⁾ | 8P3 | |
| AT93C66A-10SU-2.7 ⁽²⁾ | 8S1 | |
| AT93C66A-10SU-1.8 ⁽²⁾ | 8S1 | |
| AT93C66AW-10SU-2.7 ⁽²⁾ | 8S2 | |
| AT93C66AW-10SU-1.8 ⁽²⁾ | 8S2 | |
| AT93C66A-10TU-2.7 ⁽²⁾ | 8A2 | |
| AT93C66A-10TU-1.8 ⁽²⁾ | 8A2 | |
| AT93C66AU3-10UU-1.8 ⁽²⁾ | 8U3-1 | |
| AT93C66AD3-10DH-1.8 ⁽³⁾ | 8D3 | |
| AT93C66AY1-10YU-1.8 ⁽²⁾ (Not recommended for new design) | 8Y1 | |
| AT93C66AY6-10YH-1.8 ⁽³⁾ | 8Y6 | |
| AT93C66A-W1.8-11 ⁽⁴⁾ | Die Sale | Industrial Temperature (-40°C to 85°C) |

- Notes:
- For 2.7V devices used in the 4.5V to 5.5V range, please refer to performance values in the AC and DC characteristics table.
 - “U” designates Green package + RoHS compliant.
 - “H” designates Green package + RoHS compliant, with NiPdAu Lead Finish.
 - Available in waffle pack and wafer form; order as SL788 for inkless wafer form. Bumped die available upon request. Please contact Serial EEPROM Marketing.

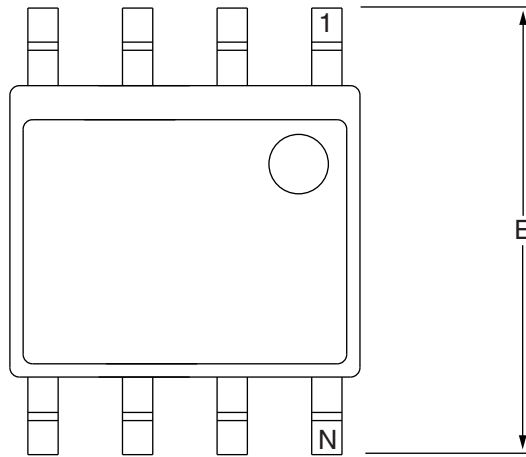
| Package Type | |
|--------------|--|
| 8P3 | 8-lead, 0.300" Wide, Plastic Dual Inline Package (PDIP) |
| 8S1 | 8-lead, 0.150" Wide, Plastic Gull Wing Small Outline (JEDEC SOIC) |
| 8S2 | 8-lead, 0.200" Wide, Plastic Gull Wing Small Outline (EIAJ SOIC) |
| 8A2 | 8-lead, 0.170" Wide, Thin Shrink Small Outline Package (TSSOP) |
| 8U3-1 | 8-ball, die Ball Grid Array Package (dBGAA2) |
| 8Y1 | 8-lead, 4.90 mm x 3.00 mm Body, Dual Footprint, Non-leaded, Miniature Array Package (MAP) |
| 8Y6 | 8-lead, 2.00 mm x 3.00 mm Body, 0.50 mm Pitch, Ultra Thin Mini-MAP, Dual No Lead package (DFN), (MLP 2x3 mm) |
| 8D3 | 8-lead, 1.80 mm x 2.20 mm Body, Ultra Lead Frame Land Grid Array (ULA) |
| Options | |
| -2.7 | Low-voltage (2.7V to 5.5V) |
| -1.8 | Low-voltage (1.8V to 5.5V) |

8. Packaging Information

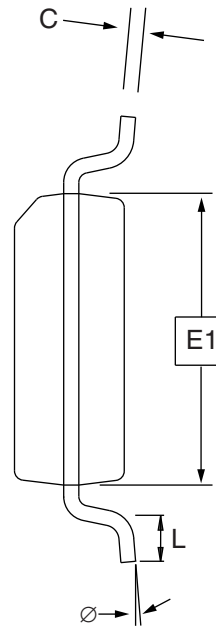
8.1 8P3 – PDIP



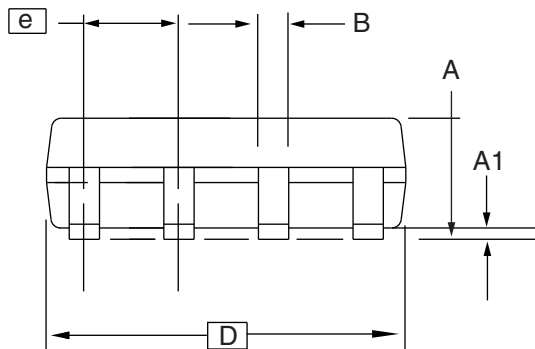
8.2 8S1 – JEDEC SOIC



Top View



End View



Side View

COMMON DIMENSIONS
(Unit of Measure = mm)

| SYMBOL | MIN | NOM | MAX | NOTE |
|--------|----------|-----|------|------|
| A | 1.35 | – | 1.75 | |
| A1 | 0.10 | – | 0.25 | |
| b | 0.31 | – | 0.51 | |
| C | 0.17 | – | 0.25 | |
| D | 4.80 | – | 5.00 | |
| E1 | 3.81 | – | 3.99 | |
| E | 5.79 | – | 6.20 | |
| e | 1.27 BSC | | | |
| L | 0.40 | – | 1.27 | |
| ∅ | 0° | – | 8° | |

Note: These drawings are for general information only. Refer to JEDEC Drawing MS-012, Variation AA for proper dimensions, tolerances, datums, etc.

10/7/03



1150 E. Cheyenne Mtn. Blvd.
Colorado Springs, CO 80906

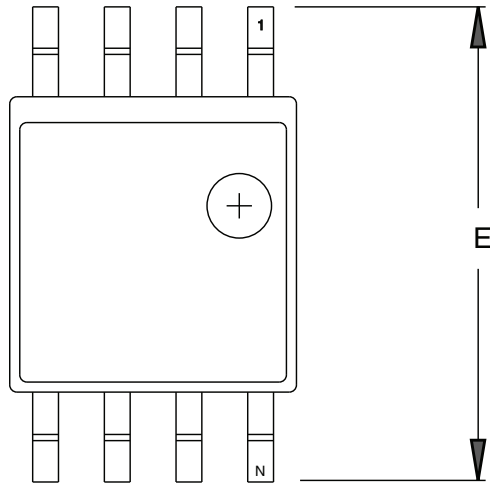
TITLE
8S1, 8-lead (0.150" Wide Body), Plastic Gull Wing
Small Outline (JEDEC SOIC)

DRAWING NO.
8S1

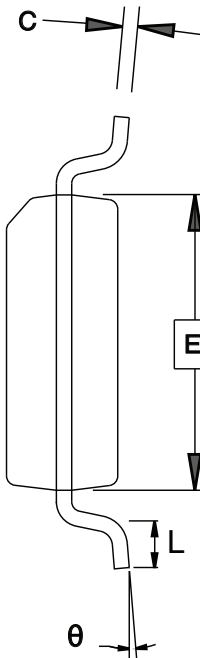
REV.
B



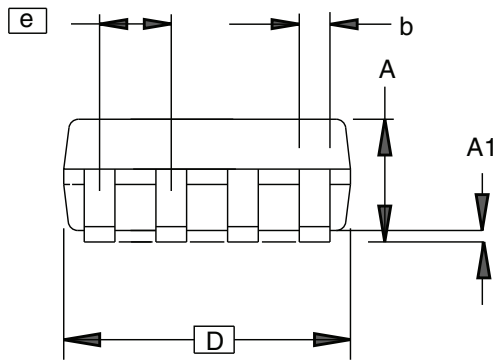
8.3 8S2 – EIAJ SOIC



TOP VIEW



END VIEW



SIDE VIEW

COMMON DIMENSIONS
(Unit of Measure = mm)

| SYMBOL | MIN | NOM | MAX | NOTE |
|----------|----------|-----|------|------|
| A | 1.70 | | 2.16 | |
| A1 | 0.05 | | 0.25 | |
| b | 0.35 | | 0.48 | 5 |
| C | 0.15 | | 0.35 | 5 |
| D | 5.13 | | 5.35 | |
| E1 | 5.18 | | 5.40 | 2, 3 |
| E | 7.70 | | 8.26 | |
| L | 0.51 | | 0.85 | |
| θ | 0° | | 8° | |
| e | 1.27 BSC | | | 4 |

- Notes: 1. This drawing is for general information only; refer to EIAJ Drawing EDR-7320 for additional information.
 2. Mismatch of the upper and lower dies and resin burrs aren't included.
 3. It is recommended that upper and lower cavities be equal. If they are different, the larger dimension shall be regarded.
 4. Determines the true geometric position.
 5. Values b,C apply to plated terminal. The standard thickness of the plating layer shall measure between 0.007 to .021 mm.

04/07/06



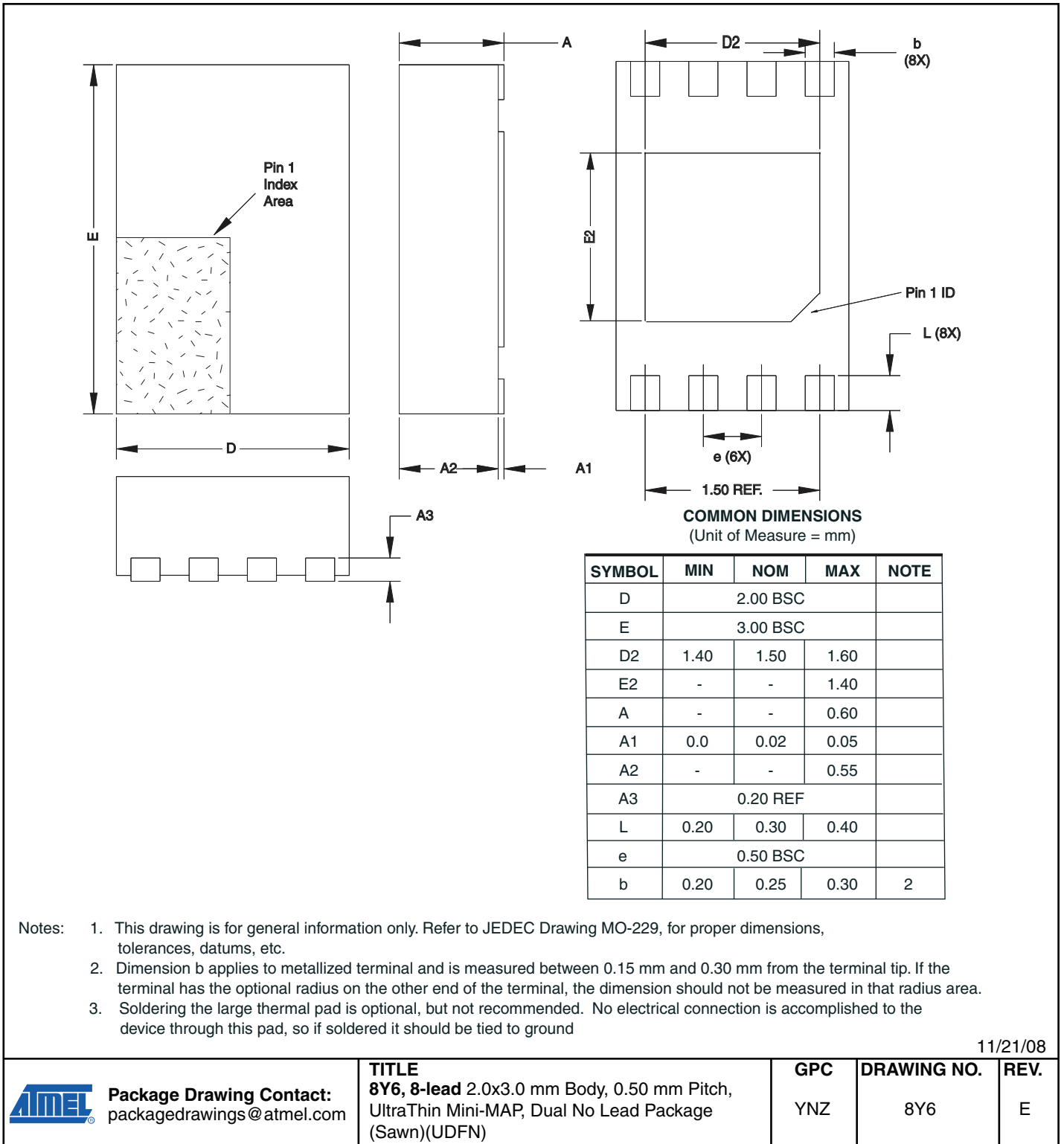
2325 Orchard Parkway
San Jose, CA 95131

TITLE
8S2, 8-lead, 0.209" Body, Plastic Small
Outline Package (EIAJ)

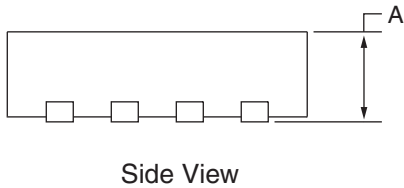
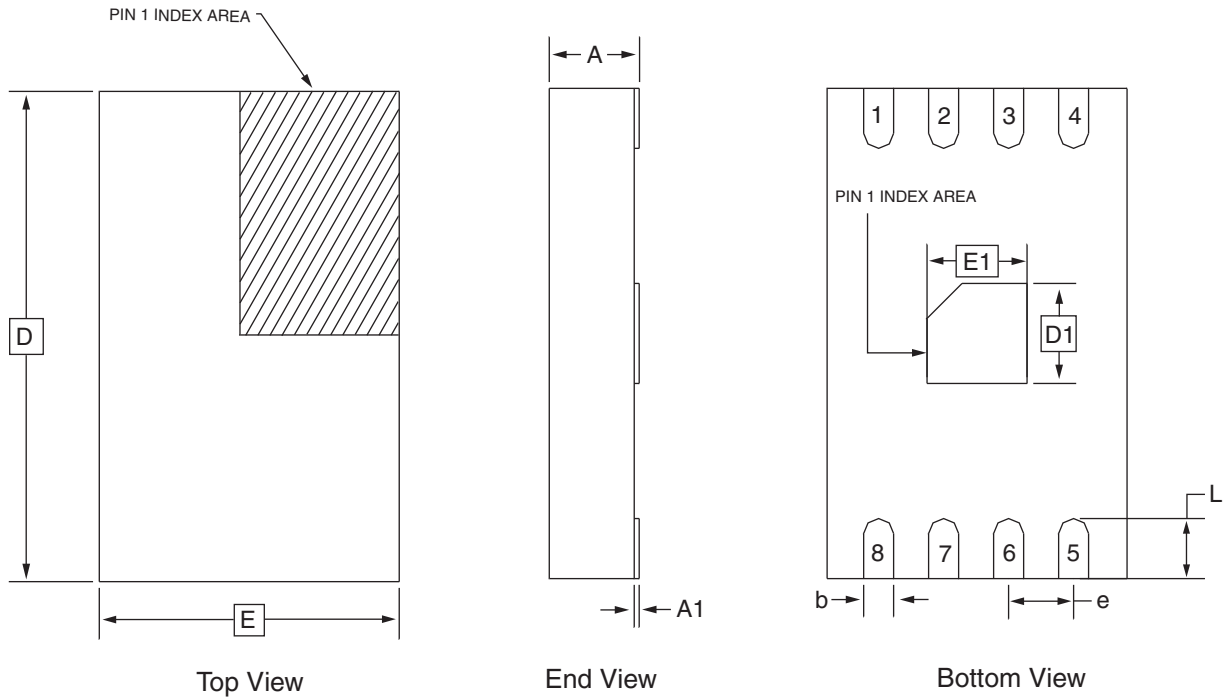
DRAWING NO.
8S2

REV.
D

8.4 8Y6 – MiniMap (MLP 2x3)



8.5 8Y1 – Map



COMMON DIMENSIONS
(Unit of Measure = mm)

| SYMBOL | MIN | NOM | MAX | NOTE |
|--------|----------|------|------|------|
| A | – | – | 0.90 | |
| A1 | 0.00 | – | 0.05 | |
| D | 4.70 | 4.90 | 5.10 | |
| E | 2.80 | 3.00 | 3.20 | |
| D1 | 0.85 | 1.00 | 1.15 | |
| E1 | 0.85 | 1.00 | 1.15 | |
| b | 0.25 | 0.30 | 0.35 | |
| e | 0.65 TYP | | | |
| L | 0.50 | 0.60 | 0.70 | |

2/28/03



2325 Orchard Parkway
San Jose, CA 95131

TITLE

8Y1, 8-lead (4.90 x 3.00 mm Body) MSOP Array Package
(MAP) Y1

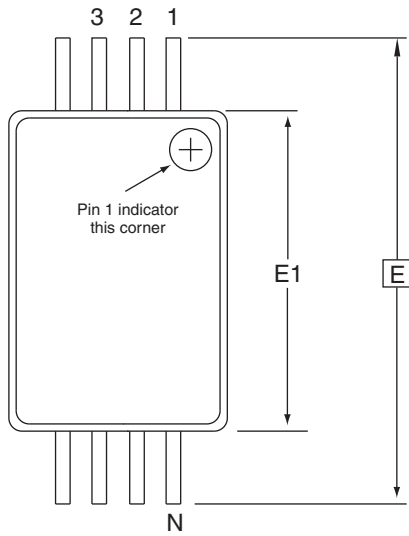
DRAWING NO.

8Y1

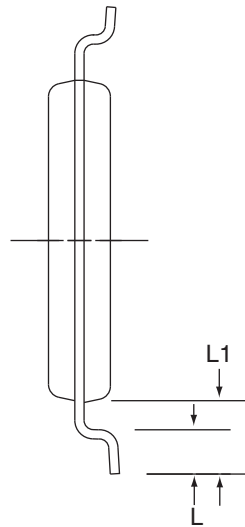
REV.

C

8.6 8A2 – TSSOP



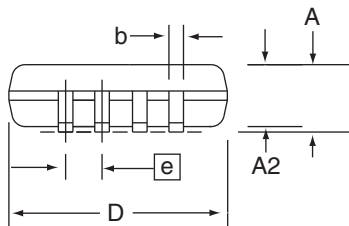
Top View



End View

COMMON DIMENSIONS
(Unit of Measure = mm)

| SYMBOL | MIN | NOM | MAX | NOTE |
|--------|----------|------|------|------|
| D | 2.90 | 3.00 | 3.10 | 2, 5 |
| E | 6.40 BSC | | | |
| E1 | 4.30 | 4.40 | 4.50 | 3, 5 |
| A | – | – | 1.20 | |
| A2 | 0.80 | 1.00 | 1.05 | |
| b | 0.19 | – | 0.30 | 4 |
| e | 0.65 BSC | | | |
| L | 0.45 | 0.60 | 0.75 | |
| L1 | 1.00 REF | | | |



Side View

- Notes:
1. This drawing is for general information only. Refer to JEDEC Drawing MO-153, Variation AA, for proper dimensions, tolerances, datums, etc.
 2. Dimension D does not include mold Flash, protrusions or gate burrs. Mold Flash, protrusions and gate burrs shall not exceed 0.15 mm (0.006 in) per side.
 3. Dimension E1 does not include inter-lead Flash or protrusions. Inter-lead Flash and protrusions shall not exceed 0.25 mm (0.010 in) per side.
 4. Dimension b does not include Dambar protrusion. Allowable Dambar protrusion shall be 0.08 mm total in excess of the b dimension at maximum material condition. Dambar cannot be located on the lower radius of the foot. Minimum space between protrusion and adjacent lead is 0.07 mm.
 5. Dimension D and E1 to be determined at Datum Plane H.

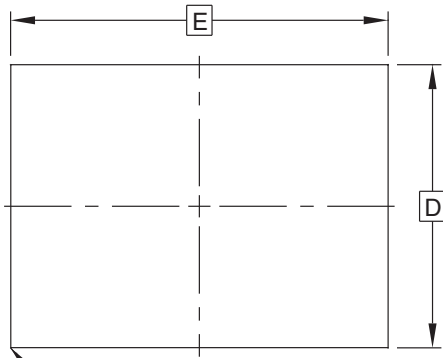
5/30/02

ATMEL 2325 Orchard Parkway
San Jose, CA 95131

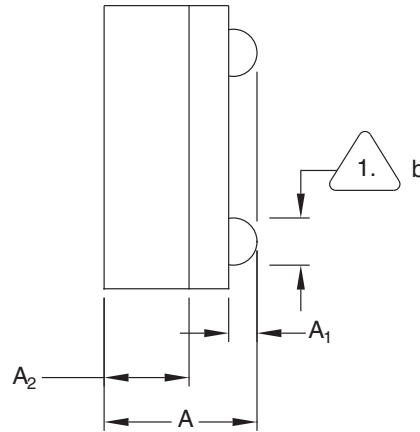
TITLE
8A2, 8-lead, 4.4 mm Body, Plastic
Thin Shrink Small Outline Package (TSSOP)

| DRAWING NO. | REV. |
|-------------|------|
| 8A2 | B |

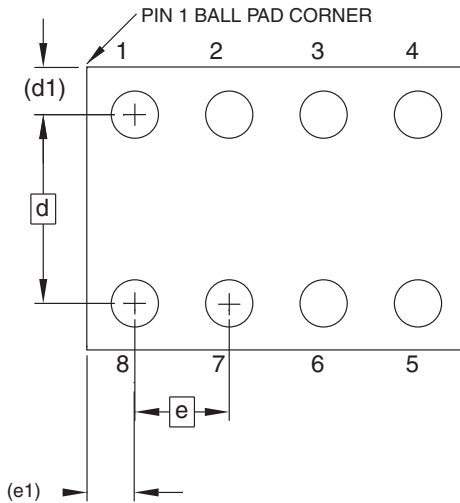
8.7 8U3-1 – dBGA2



Top View



Side View



Bottom View
8 Solder Balls

COMMON DIMENSIONS
(Unit of Measure = mm)

| SYMBOL | MIN | NOM | MAX | NOTE |
|--------|----------|------|------|------|
| A | 0.713 | 0.79 | 0.85 | |
| A1 | 0.09 | 0.14 | 0.19 | |
| A2 | 0.40 | 0.45 | 0.50 | |
| b | 0.20 | 0.25 | 0.30 | 2 |
| D | 1.50 BSC | | | |
| E | 2.00 BSC | | | |
| e | 0.50 BSC | | | |
| e1 | 0.25 REF | | | |
| d | 1.00 BSC | | | |
| d1 | 0.25 REF | | | |

1. This drawing is for general information only.
2. Dimension 'b' is measured at maximum solder ball diameter

5/3/05



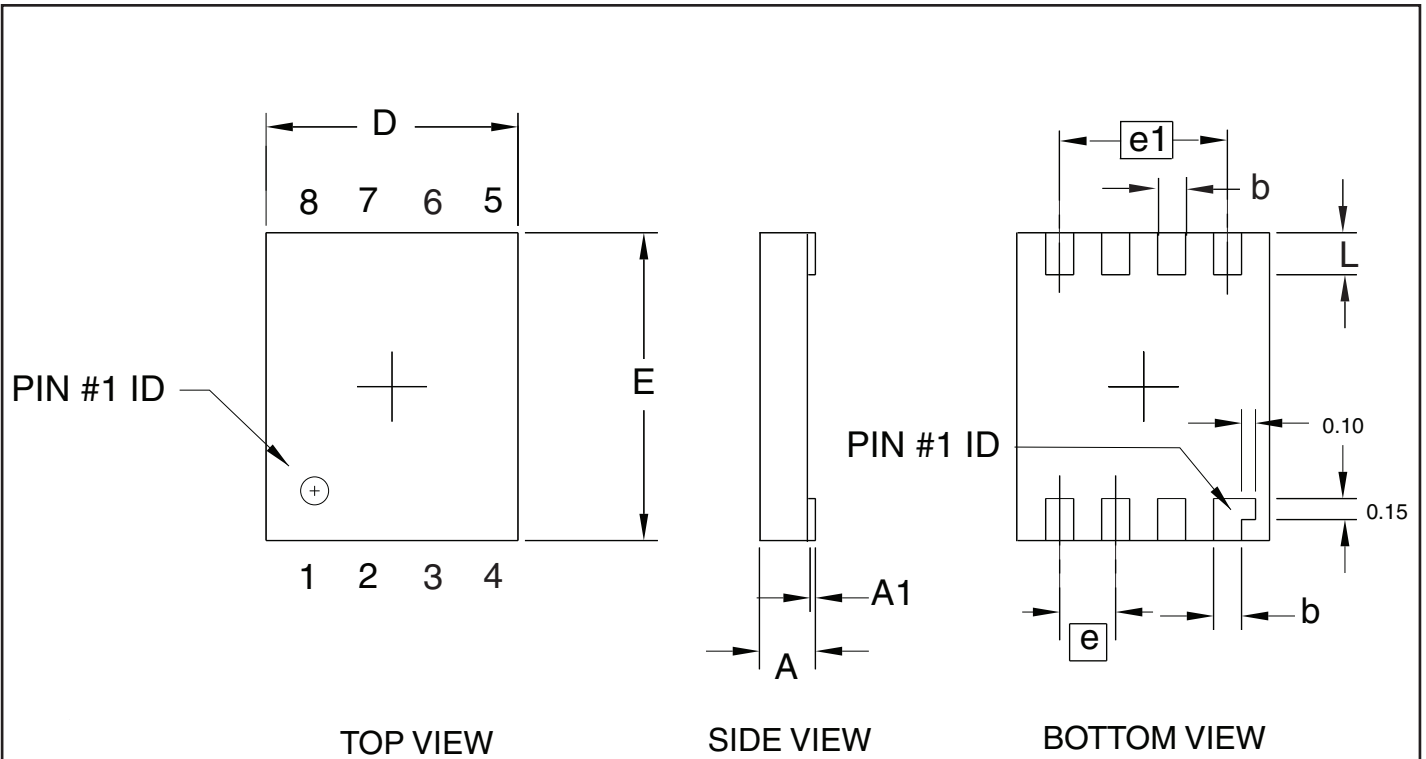
1150E Cheyenne Mt. Blvd
Colorado Springs, CO 80906

TITLE
8U3-1, 8-ball, 1.50 x 2.00 mm Body, 0.50 mm pitch,
Small Die Ball Grid Array Package (dBGA2)

DRAWING NO.
PO8U3-1

REV.
b

8.8 8D3 - ULA



COMMON DIMENSIONS
(Unit of Measure = mm)

| SYMBOL | MIN | NOM | MAX | NOTE |
|--------|------|----------|------|------|
| A | - | - | 0.40 | |
| A1 | 0.00 | - | 0.05 | |
| D | 1.70 | 1.80 | 1.90 | |
| E | 2.10 | 2.20 | 2.30 | |
| b | 0.15 | 0.20 | 0.25 | |
| e | | 0.40 TYP | | |
| e1 | | 1.20 REF | | |
| L | 0.25 | 0.30 | 0.35 | |

11/15/05



1150 E. Cheyenne Mtn. Blvd.
Colorado Springs, CO 80906

TITLE

8D3, 8-lead (1.80 x 2.20 mm Body) Ultra Leadframe
Land Grid Array (ULLGA) D3

DRAWING NO.

8D3

REV.

0



9. Revision History

| Revision No. | Date | Comments |
|--------------|---------|---|
| 3378O | 07/2012 | Not recommended for new design. Use AT93C56B/66B. |
| 3378O | 11/2009 | Added 8S2 package drawing |
| 3378N | 1/2009 | Updated 8Y6 package drawing |
| 3378M | 7/2008 | Updated Ordering Codes |
| 3378L | 11/2007 | Updated to new template Added ULA package offering |
| 3378K | 12/2006 | Removed DC/Don't Connect and replaced with NC/No Conenct Adjusted size of Block diagram on pg. 2 Made all diagrams on pages 6-9 consistently the same size Corrected 8U3-1 |



Headquarters

Atmel Corporation
2325 Orchard Parkway
San Jose, CA 95131
USA
Tel: 1(408) 441-0311
Fax: 1(408) 487-2600

International

Atmel Asia
Room 1219
Chinachem Golden Plaza
77 Mody Road Tsimshatsui
East Kowloon
Hong Kong
Tel: (852) 2721-9778
Fax: (852) 2722-1369

Atmel Europe
Le Krebs
8, Rue Jean-Pierre Timbaud
BP 309
78054 Saint-Quentin-en-
Yvelines Cedex
France
Tel: (33) 1-30-60-70-00
Fax: (33) 1-30-60-71-11

Atmel Japan
9F, Tonetsu Shinkawa Bldg.
1-24-8 Shinkawa
Chuo-ku, Tokyo 104-0033
Japan
Tel: (81) 3-3523-3551
Fax: (81) 3-3523-7581

Product Contact

Web Site
www.atmel.com

Technical Support
s_eeeprom@atmel.com

Sales Contact
www.atmel.com/contacts

Literature Requests
www.atmel.com/literature

Disclaimer: The information in this document is provided in connection with Atmel products. No license, express or implied, by estoppel or otherwise, to any intellectual property right is granted by this document or in connection with the sale of Atmel products. **EXCEPT AS SET FORTH IN ATMEL'S TERMS AND CONDITIONS OF SALE LOCATED ON ATMEL'S WEB SITE, ATMEL ASSUMES NO LIABILITY WHATSOEVER AND DISCLAIMS ANY EXPRESS, IMPLIED OR STATUTORY WARRANTY RELATING TO ITS PRODUCTS INCLUDING, BUT NOT LIMITED TO, THE IMPLIED WARRANTY OF MERCHANTABILITY, FITNESS FOR A PARTICULAR PURPOSE, OR NON-INFRINGEMENT. IN NO EVENT SHALL ATMEL BE LIABLE FOR ANY DIRECT, INDIRECT, CONSEQUENTIAL, PUNITIVE, SPECIAL OR INCIDENTAL DAMAGES (INCLUDING, WITHOUT LIMITATION, DAMAGES FOR LOSS OF PROFITS, BUSINESS INTERRUPTION, OR LOSS OF INFORMATION) ARISING OUT OF THE USE OR INABILITY TO USE THIS DOCUMENT, EVEN IF ATMEL HAS BEEN ADVISED OF THE POSSIBILITY OF SUCH DAMAGES.** Atmel makes no representations or warranties with respect to the accuracy or completeness of the contents of this document and reserves the right to make changes to specifications and product descriptions at any time without notice. Atmel does not make any commitment to update the information contained herein. Unless specifically provided otherwise, Atmel products are not suitable for, and shall not be used in, automotive applications. Atmel's products are not intended, authorized, or warranted for use as components in applications intended to support or sustain life.

© 2009 Atmel Corporation. All rights reserved. Atmel®, Atmel logo and combinations thereof, and others, are registered trademarks or trademarks of Atmel Corporation or its subsidiaries. Other terms and product names may be trademarks of others.