

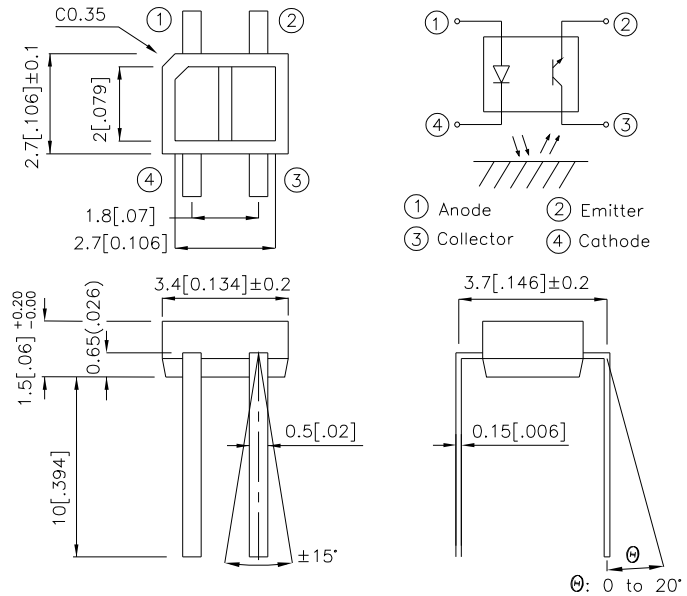
SUBMINIATURE, HIGH SENSITIVITY PHOTOINTERRUPTER

*Features

- Compact and thin.
- Visible light cut-off type.
- High sensitivity.
- RoHS Compliant.

*Applications

- Cassette tape recorders, VCRs.
- Floppy disk drives.
- Various microcomputerized control equipment.



UNIT : MM[INCH]

TOLERANCE : ±0.25[± 0.01] UNLESS OTHERWISE NOTED.

*Absolute Maximum Ratings $T_a=25^\circ\text{C}$

Parameter		Symbol	Rating	Unit
Input	Forward current	I_F	50	mA
	Reverse voltage	V_R	6	V
	Power dissipation	P_d	75	mW
	Peak Forward Current (Pulse Width $\leq 100\mu\text{s}$, Duty Cycle = 1%)	I_{FP}	1	A
Output	Collector-emitter voltage	V_{CEO}	35	V
	Emitter-collector voltage	V_{ECO}	6	V
	Collector current	I_C	20	mA
	Collector power dissipation	P_C	75	mW
Operating temperature		T_{opr}	-25~+85	$^\circ\text{C}$
Storage temperature		T_{stg}	-40~+100	$^\circ\text{C}$
soldering temperature (1/16 inch from body for 5 seconds)		T_{sol}	260	$^\circ\text{C}$

Electro-optical Characteristics

Parameter		Symbol	Conditions	Min.	TYP.	Max.	Unit	
Input	Forward Voltage	V_F	$I_F=20\text{mA}$	1.0	1.2	1.5	V	
	Reverse Current	I_R	$V_R=6\text{V}$	-	-	10	μA	
	Peak Wavelength	λ_P	$I_F=20\text{mA}$	-	940	-	nm	
Output	Collector Dark Current	I_{CEO}	$V_{CE}=20\text{V}$	-	10^{-9}	10^{-7}	A	
Transfer characteristics	*1 Collector Current		I_C	$V_{CE}=2\text{V}$ $I_F=4\text{mA}$	10	-	400	μA
	*2 Leak Current		I_{LEAK}	$V_{CE}=2\text{V}$ $I_F=4\text{mA}$	-	-	0.1	μA
	Response time	Rise time	t_r	$V_{CE}=2\text{V}$ $I_C=100\mu\text{A}$ $R_L=1\text{K}\Omega, d=1\text{mm}$	-	20	100	μsec
		Fall time	t_f		-	20	100	μsec

*1 The condition and arrangement of the reflective object are shown below.
 *2 Without reflective object.

BIN CODE	I_C (μA)
E	10-120
F	100-250
G	200-400

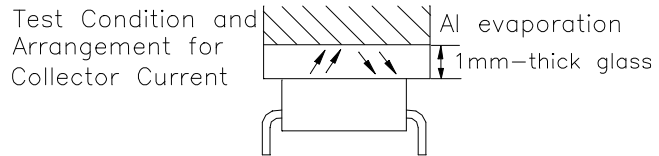


Fig. 1 Forward Current vs. Forward Voltage

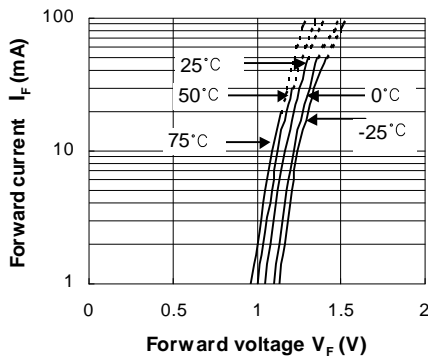


Fig. 3 Collector Current vs. Collector-emitter Voltage

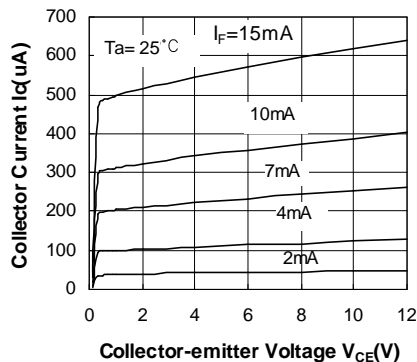


Fig. 2 Collector Current vs. Forward Current

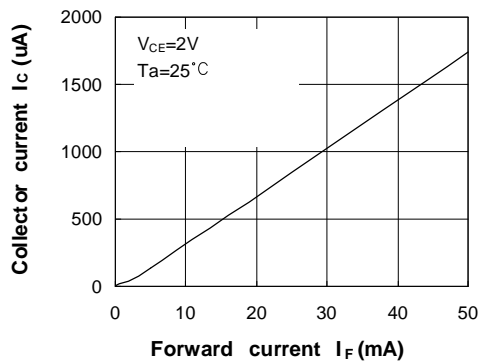


Fig. 4 Relative Collector Current vs. Ambient Temperature

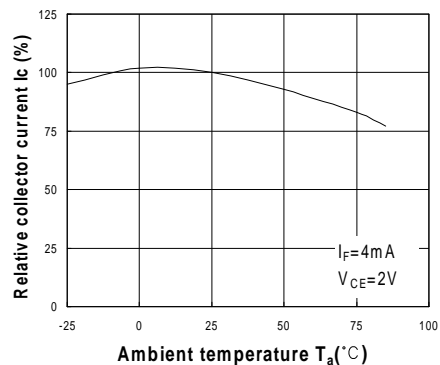
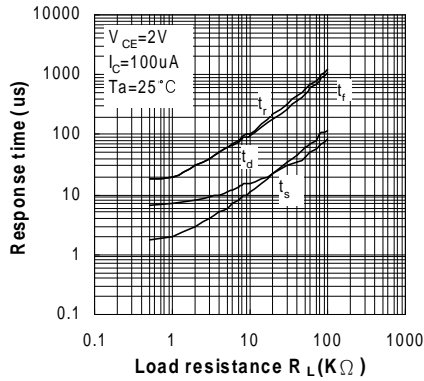


Fig. 5 Response Time vs. Load Resistance



Test Circuit for Response Time

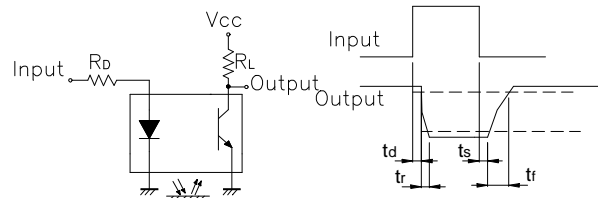


Fig. 6 Collector Dark Current vs. Ambient Temperature

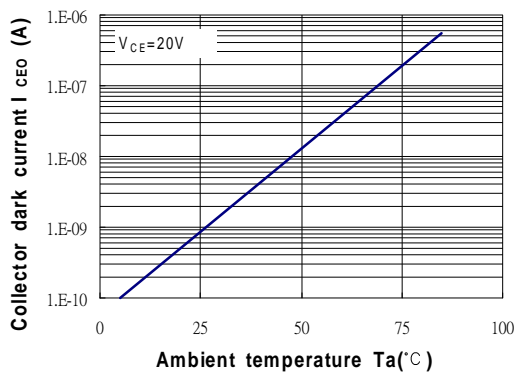


Fig. 7 Relative Collector Current vs. Distance between Sensor and Al Evaporation Glass

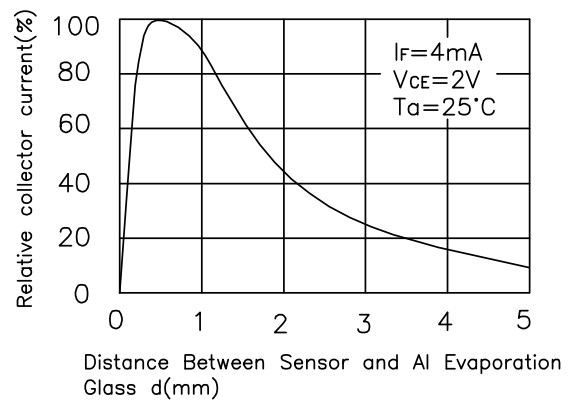


Fig. 8 Relative Collector Current vs. Card Moving Distance (1)

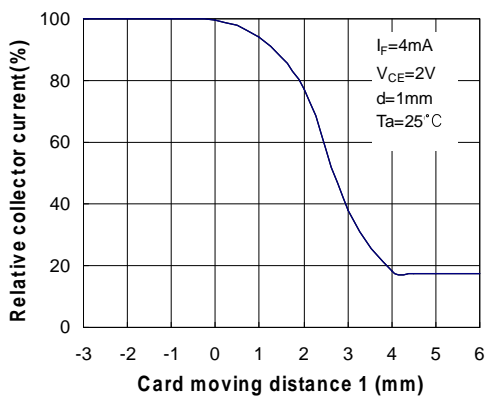
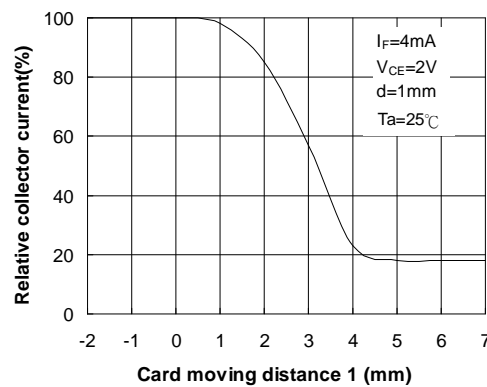
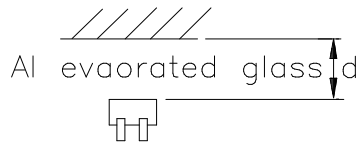


Fig. 9 Relative Collector Current vs. Card Moving Distance (2)



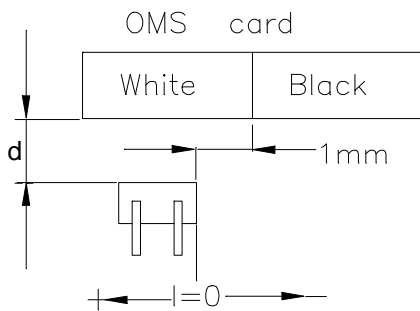
Test Condition for Distance&Detecting Position Characteristics

Correpond to Fig. 7



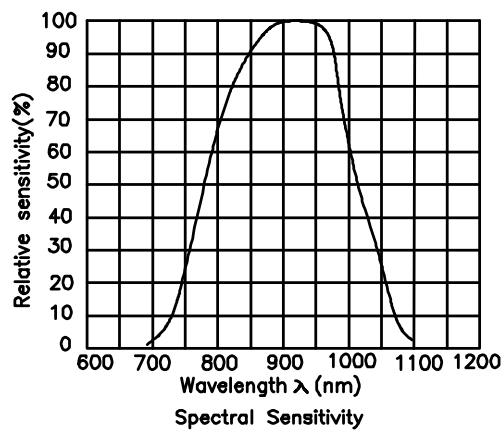
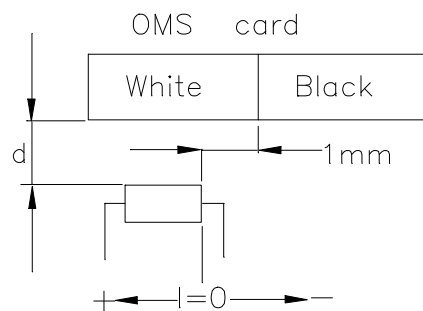
Correpond to Fig. 8
Test condition

$I_F = 4\text{mA}$
 $V_{CE} = 2\text{V}$
 $d = 1\text{mm}$



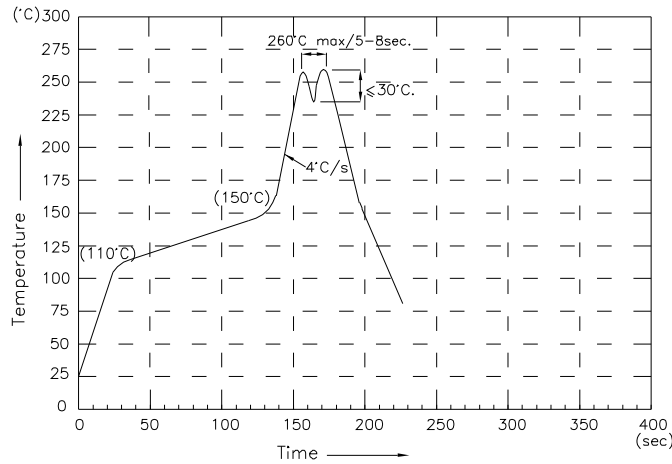
Correpond to Fig. 9
Test condition

$I_F = 4\text{mA}$
 $V_{CE} = 2\text{V}$
 $d = 1\text{mm}$



Wave Soldering Profile

Wave Soldering Profile For Lead-free Through-hole LED.

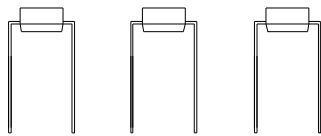


NOTES:

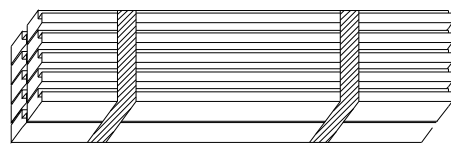
1. Recommend the wave temperature 245°C~260°C. The maximum soldering temperature should be less than 260°C.
2. Do not apply stress on epoxy resins when temperature is over 85 degree°C.
3. The soldering profile apply to the lead free soldering (Sn/Cu/Ag alloy).
4. No more than once.

PACKING & LABEL SPECIFICATIONS

ATIR0811S



150PCS / IC TUBE




1,500pcs / 10pcs IC TUBE



OUTSIDE LABEL

48 K / 6# BOX

Kingbright	
P/NO: ATIR0811S	
QTY: 150 pcs	Q.C. Q C xx xx xxxx PASSED
S/N: XXXX	
CODE: XX	
LOT NO:	
	
MADE IN CHINA	RoHS Compliant