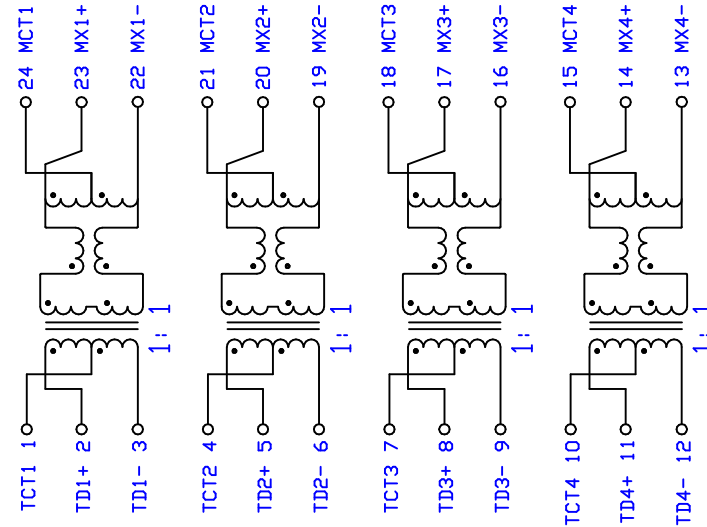


PCB SUGGEST PAD LAYOUT

TOLERANCE : ± 0.25



ELECTRICAL CHARACTERISTICS : (H5007 COMPATIBLE)

- INSULATION HI-POT : 1500 Vrms/0.5mA 1 Sec.
- TURN RATIO(+/-5%) : 1CT : 1
- INSULATION RESISTANCE: 10,000 MOHM
- DCL : 350uH MIN. 8mA/DC Bias
- PRI./SEC. CW/W: 28pF MAX.
- TX/RX L/L(uH MAX.) : 0.5/0.5
- CROSS TALK(dB MIN.): 30MHZ_j-45 60MHZ_j-40 100MHZ_j-35
- INSERTION LOSS(1MHZ-100MHZ) : 1.0dB MAX.
- RETURN LOSS(dB MIN.@ 100 OHM) :

1-30MHZ	40MHZ	50MHZ	60-80MHZ	100MHZ
-16	-14.4	-13.1	-12	-10
- DIFFERENTIAL TO COMMON MODE REJECTION(dB MIN.) :

30MHZ	60MHZ	100MHZ
-43	-37	-33

					 Atech [®] Atech Technology Co. Ltd. TEL:022794-6667 FAX:022794-8004		TITLE 100/1000 BASE-T TRANSFORMER	
B	DIM	03/31/2003	PAIR	SUEDY			SUEDY	DWG. NO. ATPL-107
A	IL = 1.0dB MAX.	10/24/2002	PAIR	SUEDY	SUEDY			
RELEASE		10/31/00	PAIR		SUEDY	UNITS: M/M	SAFETY	SHEET 1 OF 1
NO.	DESCRIPTION	DATE	BY	CHK	APPD	DATE		DRAW Pair
REVISIONS						10/31/00		