



## Features

- Active Mixer with Conversion Gain
- Integrated LO and IF Drivers
- Excellent Linearity
- Broadband 50  $\Omega$  Impedance on all Ports
- Low LO-RF Leakage
- Differential or Single Ended Inputs

## Benefits

- Small and Thin 16-pin SSOP Package with Exposed Paddle
- Few External Components
- Fully ESD Protected

## Application

- UMTS/W-CDMA and ISM Band Transmitter
- Other digital Communication Applications
- High Performance RF Instrumentation

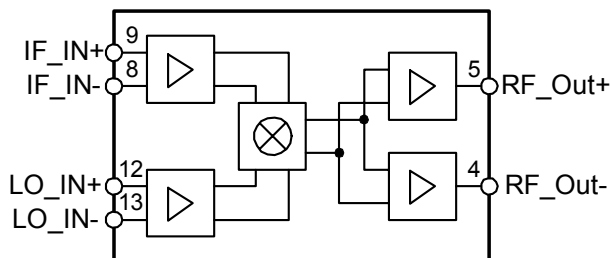
## Description

The ATR0787 is a high linearity active mixer which is manufactured using Atmel's advanced Silicon Germanium technology for the use in a variety of high performance requiring RF systems such as digital communications.

This mixer features a frequency range of 2100 MHz to 2500 MHz. It operates from a single 5 V supply and provides 17 dB of conversion gain while requiring only 0 dBm input to the integrated LO driver. An IF and an LO amplifier is also included.

The ATR0787 incorporates internal matching on each RF, IF and LO port to enhance ease of use and to reduce the external components required. The RF and LO inputs can be driven differentially or single ended.

**Figure 1.** Block Diagram



## High Linearity Active Transmit Mixer for 2100 MHz to 2500 MHz

## ATR0787

Rev. 4588B-SIGE-02/03

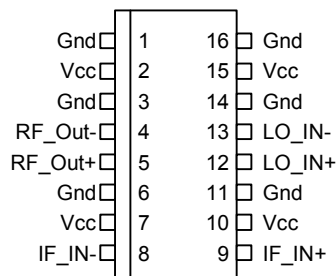
www.DataSheet4U.com





## Pin Configuration

Figure 2. Pinning TSSOP16



## Pin Description

Pin	Symbol	Function
1	GND	Ground
2	Vcc	Supply voltage
3	GND	Ground
4	RF_OUT-	Negative RF output; nominal DC voltage is 2.3 V; (Internally biased) Input should be AC-coupled
5	RF_OUT+	Positive RF output; nominal DC voltage is 2.3 V; (Internally biased) Input should be AC-coupled
6	GND	Ground
7	Vcc	Supply voltage
8	IF_IN-	Negative IF input; nominal DC voltage is 2.3 V, provided through off chip inductors
9	IF_IN+	Positive IF input; nominal DC voltage is 2.3 V, provided through off chip inductors
10	Vcc	Supply voltage
11	GND	Ground
12	LO_IN+	Negative local oscillator input; nominal DC voltage is 2.3 V; (Internally biased) Input should be AC-coupled
13	LO_IN-	Positive local oscillator input; nominal DC voltage is 2.3 V; (Internally biased) Input should be AC-coupled
14	GND	Ground
15	Vcc	Supply voltage
16	GND	Ground
Paddle	-	Device ground and heat sink, requires good thermal path; RF reference plane

## Absolute Maximum Ratings

Parameters	Symbol	Value	Unit
Supply voltages, no RF applied	$V_{CC}$	-0.5 to +5.5	V
LO input signals	LO_IN-; LO_IN+	+10.0	dBm
IF input signals	IF_IN-; IF_IN+	+10.0	dBm
Operating case temperature	$T_C$	-40 to +85	°C
Storage temperature	$T_{STG}$	-55 to +150	°C

## Thermal Resistance

Parameters	Symbol	Value	Unit
Junction ambient	$R_{thJA}$	25	K/W

## Electrical Characteristics

Test conditions: Unless otherwise noted, the following conditions apply to typical performance specification under static conditions:  $V_{CC} = +5.0$  V,  $T_{amb} = 25^\circ\text{C}$ ;  $P_{LO} = 0$  dBm; IF = 200 MHz;  $P_{IF} = -20$  dBm

No.	Parameters	Test Conditions	Pin	Symbol	Min.	Typ.	Max.	Unit	Type*
<b>General Performance</b>									
	Supply voltage			$V_{CC}$	4.75	5.0	5.25	V	
	Supply current			$I_{CC}$		200		mA	
	LO drive	Matched to 50 $\Omega$			-3	0	+3	dBm	
	LO, IF, RF return loss	Matched to 50 $\Omega$				14		dB	

\*) Type means: A = 100% tested, B = 100% correlation tested, C = Characterized on samples, D = Design parameter

## RF Electrical Characteristics (2100 MHz to 2300 MHz)

Test conditions: Unless otherwise noted, the following conditions apply to typical performance specification under static conditions:  $V_{CC} = +5.0$  V,  $T_{amb} = 25^\circ\text{C}$ ;  $P_{LO} = 0$  dBm; IF = 200 MHz;  $P_{IF} = -20$  dBm

No.	Parameters	Test Conditions	Pin	Symbol	Min.	Typ.	Max.	Unit	Type*
<b>Mixer RF Performance</b>									
	RF frequency			$f_{RF}$	2100		2300	MHz	
	LO frequency			$f_{LO}$	1900		2100	MHz	
	IF frequency			$f_{IF}$	30	200	400	MHz	
	Conversion gain			G	14	17	19	dB	
	SSB Noise figure			NF		9	11.0	dB	
	Output IP3	IF1 = IF2 = -20 dBm/tone, 1 MHz spacing		OIP3	21	24.5		dBm	
	Output P1dB			P1dB	8	11		dBm	
	Leakage (LO-RF)					-20	-10	dBm	
	Leakage (LO-IF)					-30	-20	dBm	

\*) Type means: A = 100% tested, B = 100% correlation tested, C = Characterized on samples, D = Design parameter



## RF Electrical Characteristics (2300 MHz to 2500 MHz)

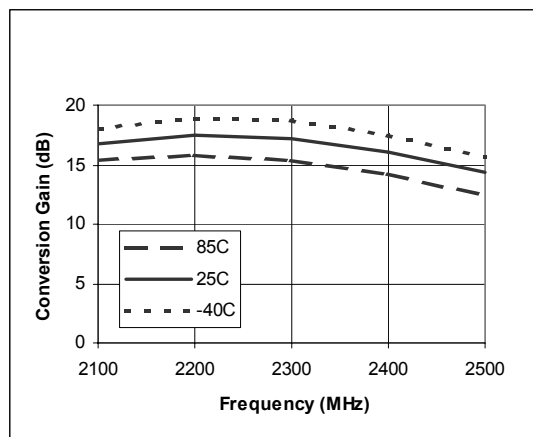
Test conditions: Unless otherwise noted, the following conditions apply to typical performance specification under static conditions:  $V_{CC} = +5.0\text{ V}$ ,  $T_{amb} = 25^{\circ}\text{C}$ ;  $P_{LO} = 0\text{ dBm}$ ;  $IF = 200\text{ MHz}$ ;  $P_{IF} = -20\text{ dBm}$

No.	Parameters	Test Conditions	Pin	Symbol	Min.	Typ.	Max.	Unit	Type*
<b>Mixer RF Performance</b>									
	RF frequency			$f_{RF}$	2300		2500	MHz	
	LO frequency			$f_{LO}$	2100		2300	MHz	
	IF frequency			$f_{IF}$	30	200	400	MHz	
	Conversion gain			G	12	15.5	18	dB	
	SSB Noise figure			NF		9	11.0	dB	
	Output IP3	IF1 = IF2 = -20 dBm/tone, 1 MHz spacing		OIP3	17	21		dBm	
	Output P1dB			P1dB	5	8.5		dBm	
	Leakage (LO-RF)					-20	-10	dBm	
	Leakage (LO-IF)					-30	-20	dBm	

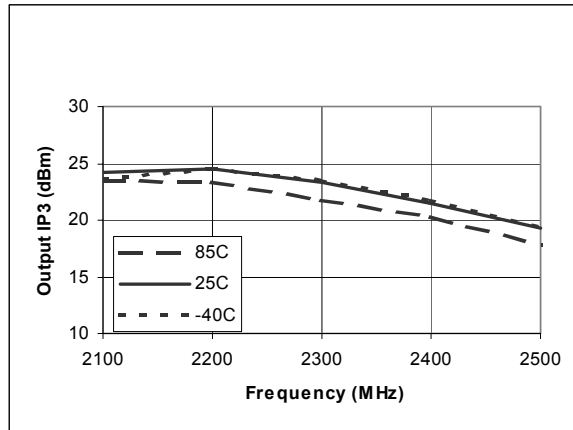
\*) Type means: A = 100% tested, B = 100% correlation tested, C = Characterized on samples, D = Design parameter

## Typical Performance

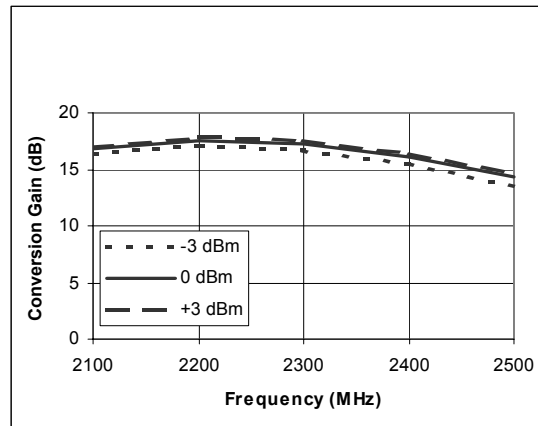
**Figure 3.** Conversion Gain versus Frequency + Temperature



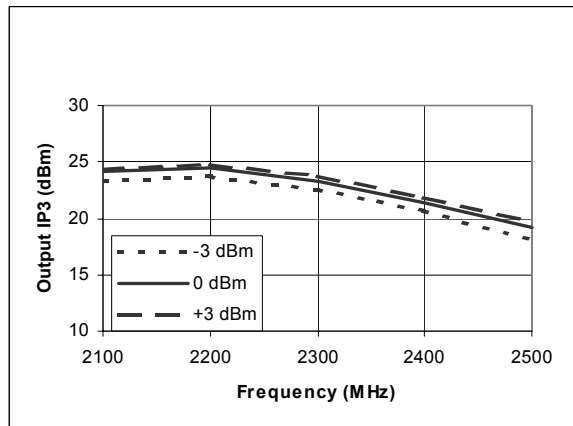
**Figure 4.** Output IP3 versus Frequency + Temperature



**Figure 5.** Conversion Gain versus Frequency + LO Drive

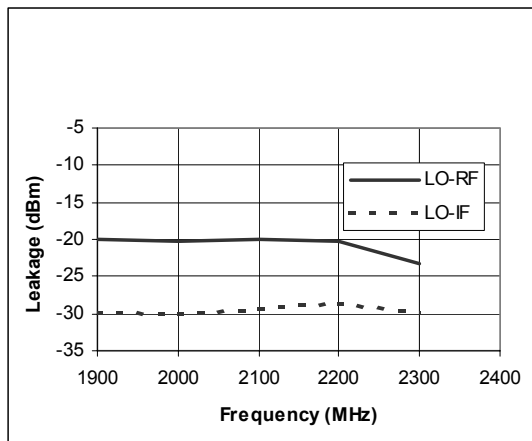


**Figure 6.** Output IP3 versus Frequency + LO Drive

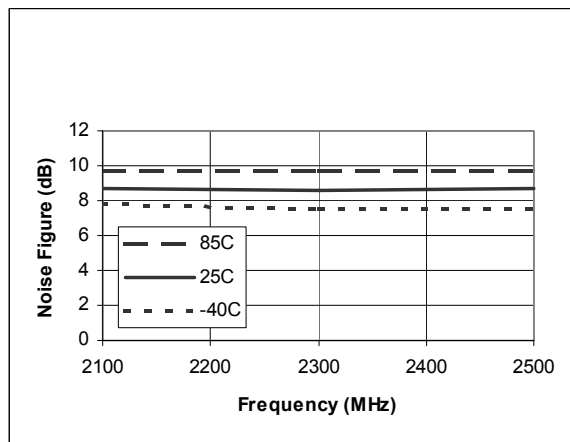




**Figure 7. Leakages versus Frequency**



**Figure 8. Noise Figure versus Frequency + Temperature**



**Figure 9. RF and LO Return Loss versus Frequency**

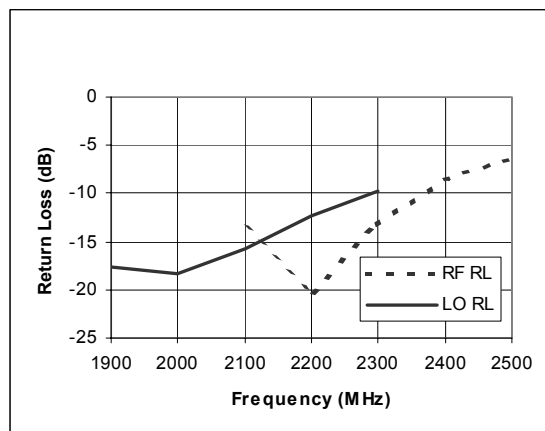


Figure 10. Output P1dB versus Frequency + Temperature

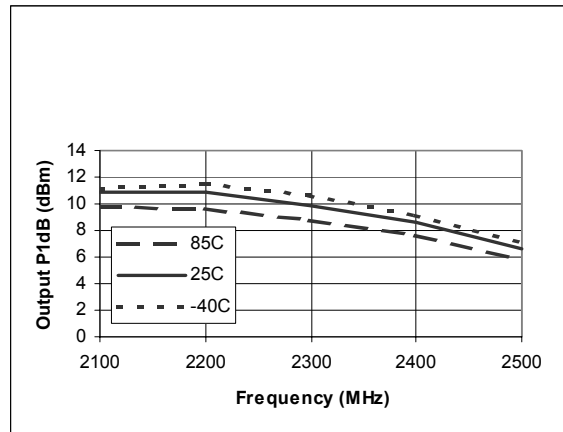


Figure 11. IF Return Loss versus Frequency

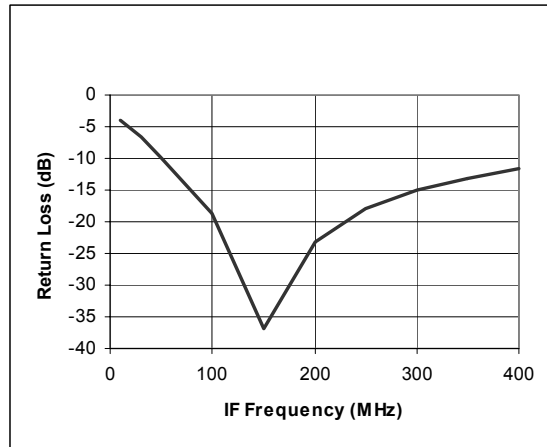


Figure 12. Output P1dB versus Frequency + LO Drive

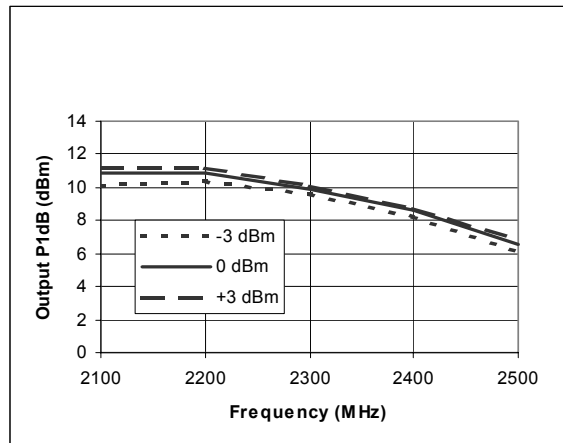
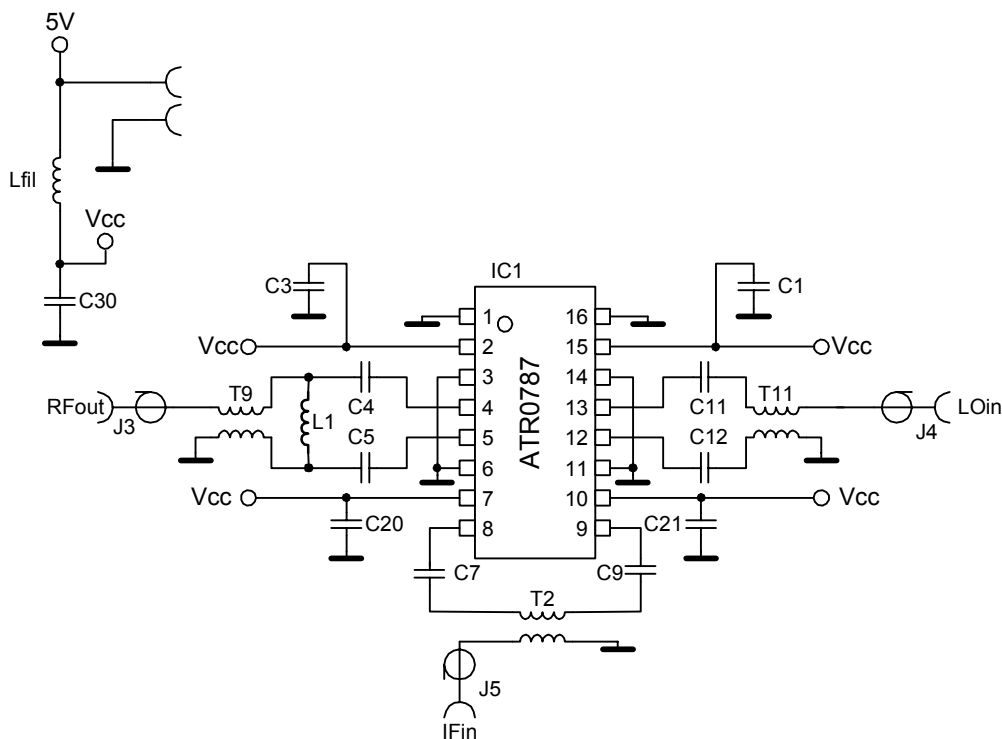


Figure 13. Demo Board Schematic



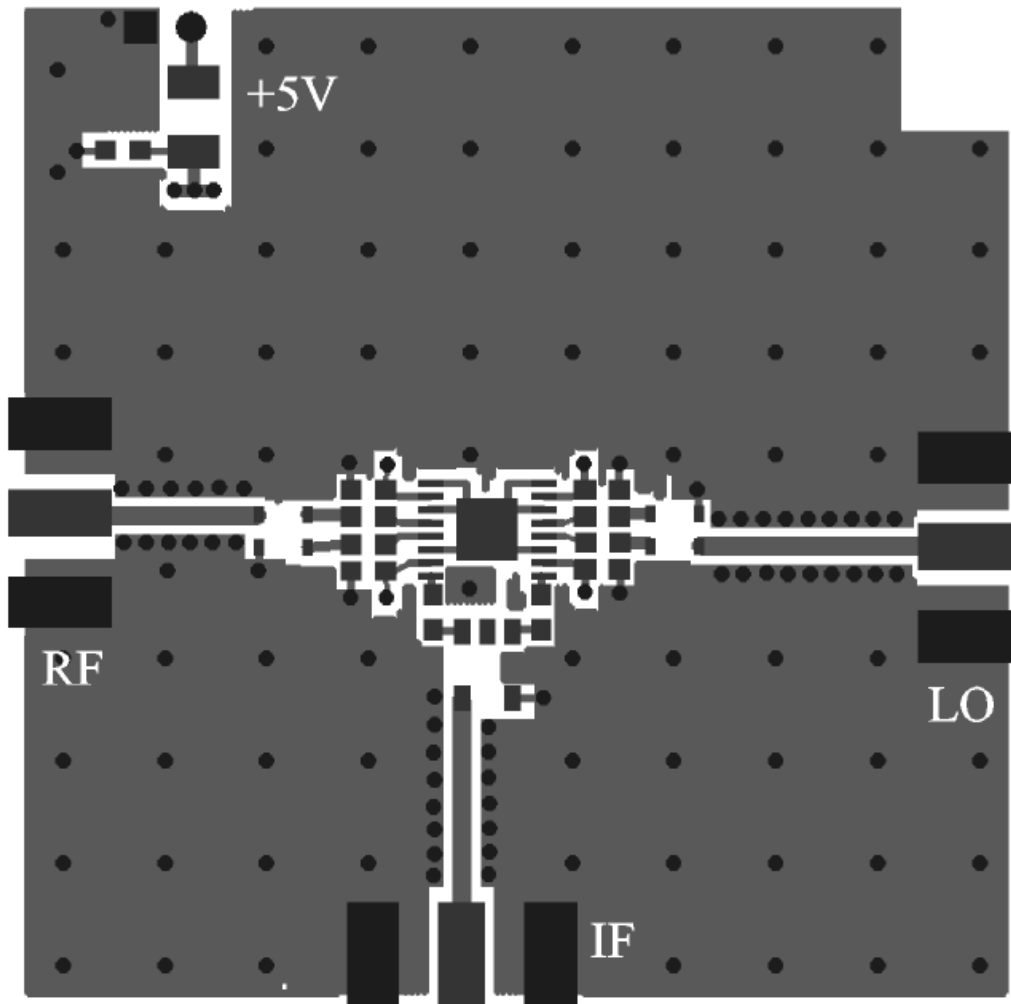
## Bill of Material of Demo Board

Component	Reference	Vendor	Part Number/ Remark	Value	Size/Package <sup>(1)</sup>
Highly linear active mixer		Atmel	ATR0787		16-pin TSSOP
Capacitor	C7; C9			100 pF	0603
Capacitor	C1; C3; C20; C21; C30			5.6 pF	0603
Capacitor	C11, C12			2.7 pF	0603
Capacitor	C4, C5			1.5 pF	0603
Inductor	Lfil	Würth Elektronik	74476401	1 $\mu$ H	1210
Inductor	L1	TOKO	LL1608- FS12NJ	12 nH	0603
Transformer	T9; T11	Panasonic	EHF-FD1619		
Transformer	T2	Mini-Circuits®	TC1-1		
RF connector		Johnson Components	142-0701-851		SMA

Note: 1. Other sizes are possible

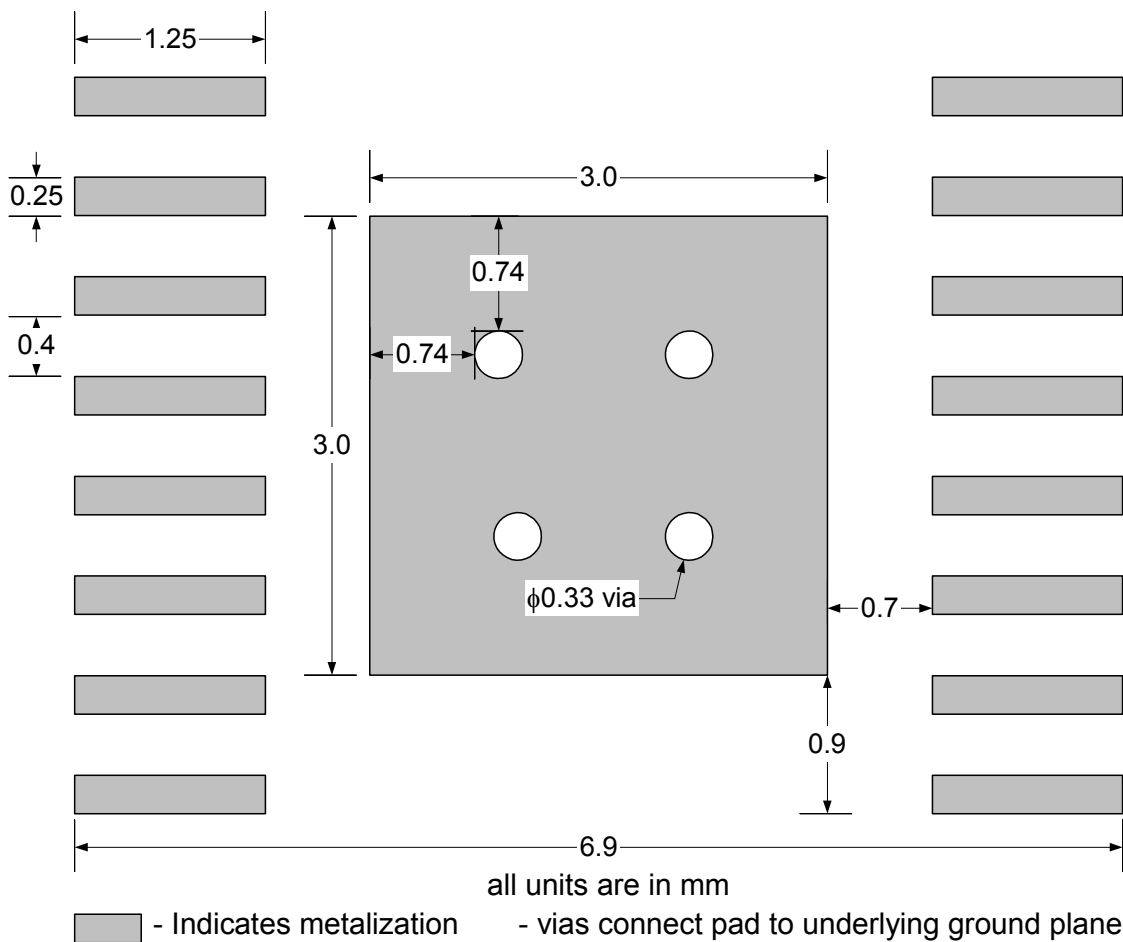


Figure 14. Demo Test Board



## Recommended Package Footprint

- Notes: 1. Only ground signal traces are allowed directly under the package.  
2. Primary dimensions are in millimeter alternate dimensions are in inches.



Remark: Heatslug must be soldered to GND!

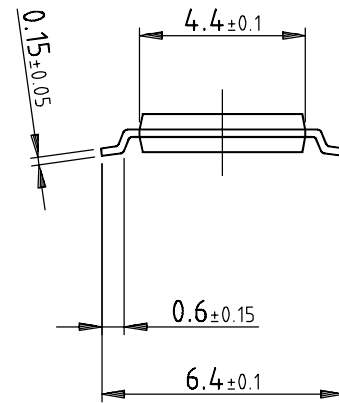
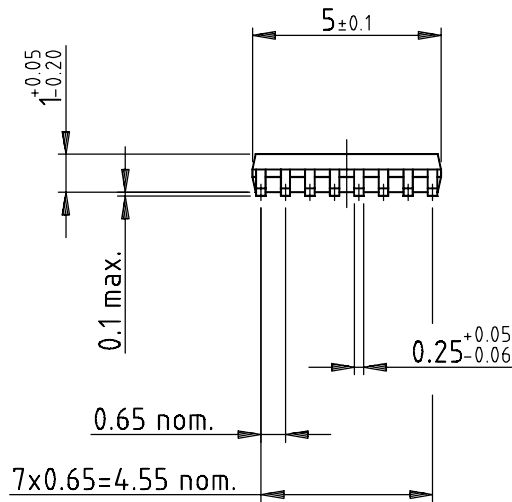
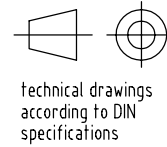
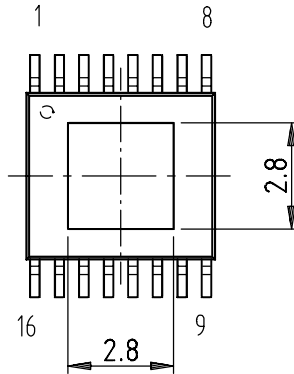
Plugging of the ground vias under the heat slug is also recommended to avoid soldering problems.

### Ordering Information

Extended Type Number	Package	Remarks
ATR0787	TSSOP16	5.0 × 6.4 mm

### Package Information

Package: SSOP16  
 ( acc. JEDEC SMALL OUTLINE No. MO-153 )  
 Dimensions in mm



Drawing-No.: 6.543-5079.01-4  
 Issue: 1; 10.07.01



## Atmel Headquarters

### *Corporate Headquarters*

2325 Orchard Parkway  
San Jose, CA 95131  
TEL 1(408) 441-0311  
FAX 1(408) 487-2600

### *Europe*

Atmel Sarl  
Route des Arsenaux 41  
Case Postale 80  
CH-1705 Fribourg  
Switzerland  
TEL (41) 26-426-5555  
FAX (41) 26-426-5500

### *Asia*

Room 1219  
Chinachem Golden Plaza  
77 Mody Road Tsimhatsui  
East Kowloon  
Hong Kong  
TEL (852) 2721-9778  
FAX (852) 2722-1369

### *Japan*

9F, Tonetsu Shinkawa Bldg.  
1-24-8 Shinkawa  
Chuo-ku, Tokyo 104-0033  
Japan  
TEL (81) 3-3523-3551  
FAX (81) 3-3523-7581

## Atmel Operations

### *Memory*

2325 Orchard Parkway  
San Jose, CA 95131  
TEL 1(408) 441-0311  
FAX 1(408) 436-4314

### *Microcontrollers*

2325 Orchard Parkway  
San Jose, CA 95131  
TEL 1(408) 441-0311  
FAX 1(408) 436-4314

La Chantrerie  
BP 70602  
44306 Nantes Cedex 3, France  
TEL (33) 2-40-18-18-18  
FAX (33) 2-40-18-19-60

### *ASIC/ASSP/Smart Cards*

Zone Industrielle  
13106 Rousset Cedex, France  
TEL (33) 4-42-53-60-00  
FAX (33) 4-42-53-60-01

1150 East Cheyenne Mtn. Blvd.  
Colorado Springs, CO 80906  
TEL 1(719) 576-3300  
FAX 1(719) 540-1759

Scottish Enterprise Technology Park  
Maxwell Building  
East Kilbride G75 0QR, Scotland  
TEL (44) 1355-803-000  
FAX (44) 1355-242-743

### *RF/Automotive*

Theresienstrasse 2  
Postfach 3535  
74025 Heilbronn, Germany  
TEL (49) 71-31-67-0  
FAX (49) 71-31-67-2340

1150 East Cheyenne Mtn. Blvd.  
Colorado Springs, CO 80906  
TEL 1(719) 576-3300  
FAX 1(719) 540-1759

### *Biometrics/Imaging/Hi-Rel MPU/ High Speed Converters/RF Datacom*

Avenue de Rochepleine  
BP 123  
38521 Saint-Egreve Cedex, France  
TEL (33) 4-76-58-30-00  
FAX (33) 4-76-58-34-80

---

### *e-mail*

[literature@atmel.com](mailto:literature@atmel.com)

### *Web Site*

<http://www.atmel.com>

### © Atmel Corporation 2003.

Atmel Corporation makes no warranty for the use of its products, other than those expressly contained in the Company's standard warranty which is detailed in Atmel's Terms and Conditions located on the Company's web site. The Company assumes no responsibility for any errors which may appear in this document, reserves the right to change devices or specifications detailed herein at any time without notice, and does not make any commitment to update the information contained herein. No licenses to patents or other intellectual property of Atmel are granted by the Company in connection with the sale of Atmel products, expressly or by implication. Atmel's products are not authorized for use as critical components in life support devices or systems.

Atmel® is the registered trademark of Atmel.

Other terms and product names may be the trademarks of others.



Printed on recycled paper. www.DataSheet4U.com