

Features

- Frequency Range 5 GHz to 6 GHz
- P_{out} 25 dBm at 5.8 GHz
- Gain Typically 30 dB
- P_{in} Typically 0 dBm
- V_{CC} 2.7V to 3.8V
- Power Consumption in Power-down Mode Typically $< 1 \mu A$
- Package: QFN16 3 mm \times 3 mm

Benefits

- Biasing Control Extends Battery Time
- Simple Input and Output Matching
- Only One Single Supply Required
- No High-side Switching Transistor Required

1. Description

1.1 Process

This 5-GHz power amplifier (PA) is designed using Atmel's Silicon-Germanium (SiGe) process and provides high efficiency.

1.2 Circuitry

The PA, ATR7040, consists of a three-stage amplifier with a typical output power of 25 dBm. The output stage was implemented using an open-collector structure. Power up, power down, and output level are controlled at bias control pin 6 (V_{ctl}).

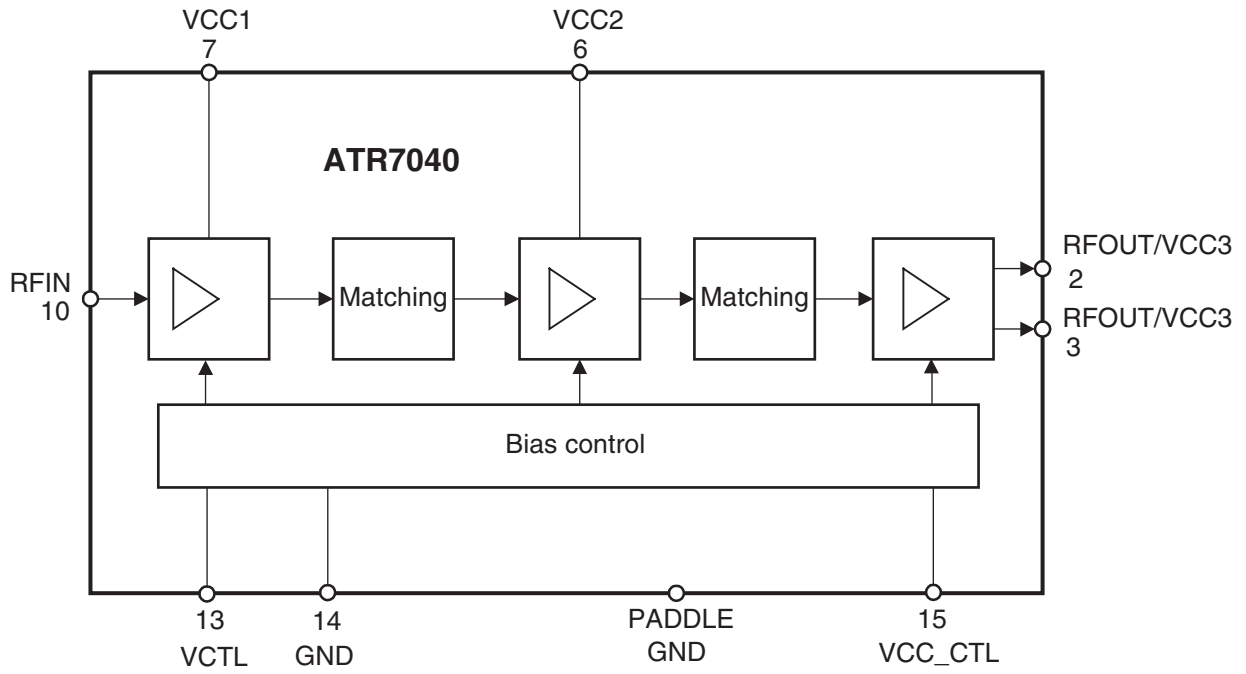


5.8 GHz WDCT Power Amplifier

ATR7040



Figure 1-1. Block Diagram



2. Pin Configuration

Figure 2-1. Pinning QFN16

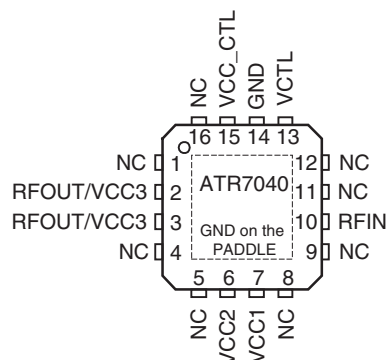


Table 2-1. Pin Description

Pin	Symbol	Function
1	NC	Not connected ⁽¹⁾
2	RFOUT	RF output and supply voltage for output amplifier stage
3	RFOUT	RF output and supply voltage for output amplifier stage
4	NC	Not connected ⁽¹⁾
5	NC	Not connected ⁽¹⁾
6	VCC2	Supply voltage for second amplifier stage
7	VCC1	Supply voltage for first amplifier stage
8	NC	Not connected ⁽¹⁾
9	NC	Not connected ⁽¹⁾
10	RFIN	RF input
11	NC	Not connected ⁽¹⁾
12	NC	Not connected ⁽¹⁾
13	VCTL	Control voltage for power ramping
14	GND	Ground
15	VCC_CTL	Supply voltage for biasing control block
16	NC	Not connected ⁽¹⁾
PADDLE	–	Ground

Note: 1. Pin can be connected to paddle for increased GND area

3. Absolute Maximum Ratings

Stresses beyond those listed under “Absolute Maximum Ratings” may cause permanent damage to the device. This is a stress rating only and functional operation of the device at these or any other conditions beyond those indicated in the operational sections of this specification is not implied. Exposure to absolute maximum rating conditions for extended periods may affect device reliability.

Parameters	Symbol	Value	Unit
Supply voltage	V_{CC}	5	V
Supply current	I_{CC}	400	mA
Junction temperature	T_j	150	°C
Storage temperature	T_{Stg}	-40 to +125	°C
Input RF power	P_{in}	10	dBm
Control voltage	V_{ctl}	2.5	V

Note: The part may not survive all maximums applied simultaneously.

Electrostatic sensitive device.
Observe precautions for handling.



4. Thermal Resistance

Parameters	Symbol	Value	Unit
Junction ambient package QFN16, 3 × 3, slug soldered on PCB	R_{thJA}	40	K/W

5. Operating Range

Parameters	Symbol	Value	Unit
Supply voltage	V_{CC}	2.7 to 3.8	V
Operating frequency range	f_{in}	5100 to 5900	MHz
Ambient temperature range	T_{amb}	-25 to +75	°C

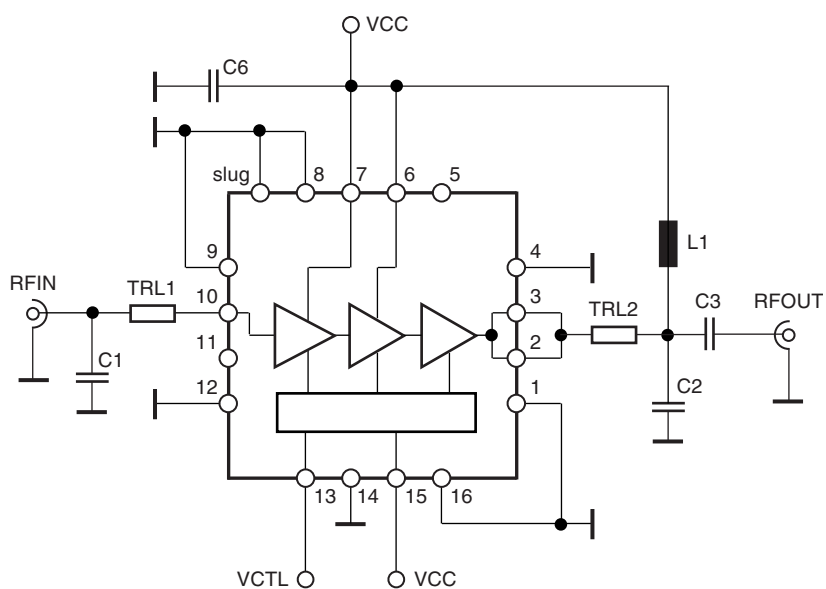
6. Electrical Characteristics

Operating conditions: $V_{CC} = 3.6V$, $V_{ctl} = 1.5V$, input frequency = 5.8 GHz, input power 0 dBm, pulsed mode, duty cycle 10%, $t_{on} = 1$ ms, $T_{amb} = 25^{\circ}C$, unless otherwise specified.

No.	Parameters	Test Conditions	Pin	Symbol	Min.	Typ.	Max.	Unit
1.0	Frequency range	Depends on external circuitry			5100		5900	MHz
1.1	Supply voltage			V_{CC}	2.7	3.6	3.8	V
1.2	Input power			P_{in}		0		dBm
1.3	Saturated power output			P_{sat}		25		dBm
1.4	Output power deviation			P_d	-2		+2	dB
1.5	Control voltage range	PA operating mode		V_{ctl}	1.0		1.7	V
		Power-down mode		V_{ctl}			0.2	V
1.6	Control input current	PA on	5	I_{ctl}		90		μA
1.7	Input return loss	With external matching	10			-7	-6	dB
1.8	Isolation	$V_{ctl} \leq 0.2V$		ISO_r	33	35		dB
1.9	Power added efficiency	At power saturation, $P_{in} = 0$ dBm		PAE		35		%
1.10	Current consumption	For 25 dBm output power		I_{cc}		250		mA
1.11	Current consumption in power-down mode	$V_{ctl} \leq 0.2V$		I_{cc}		1		μA
1.12	Duty cycle of operation	At saturated output power				100		%

7. Application Circuit

Figure 7-1. Application Circuit



8. Diagrams

Figure 8-1. Output Power, Efficiency and Supply Currents Versus Input Frequency

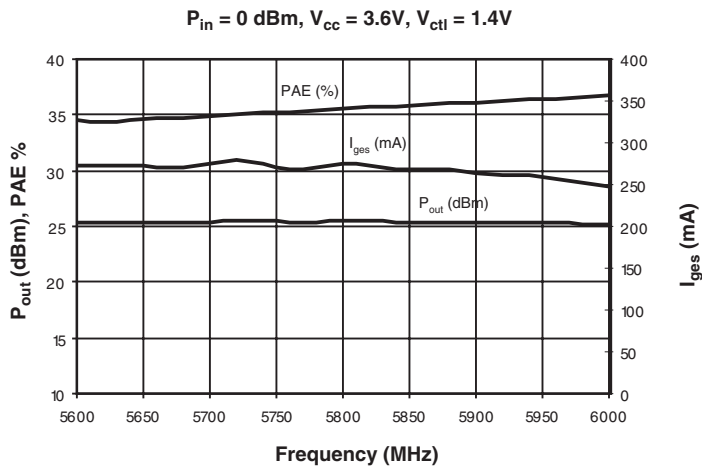


Figure 8-2. Output Power, Gain, Efficiency and Supply Currents Versus Input Power

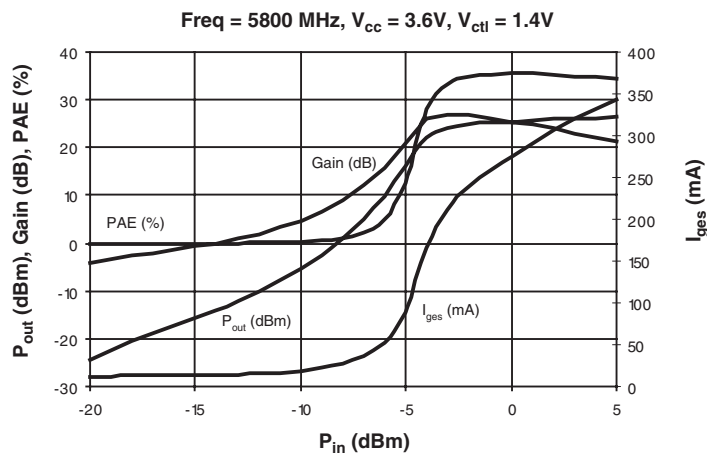
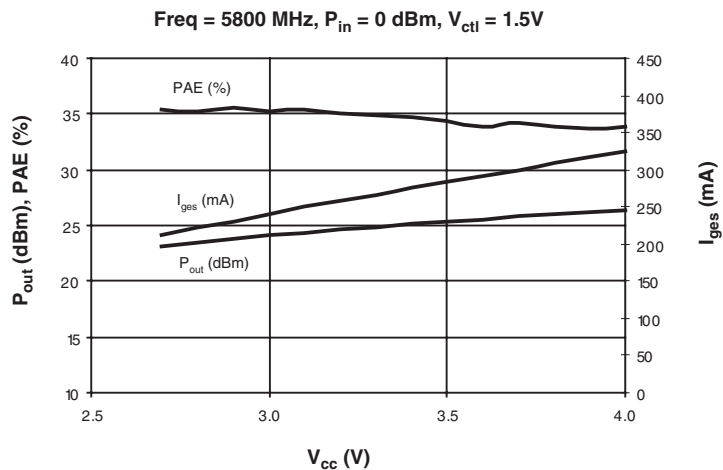


Figure 8-3. Output Power, Efficiency and Supply Currents Versus Operating Voltage



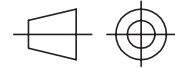
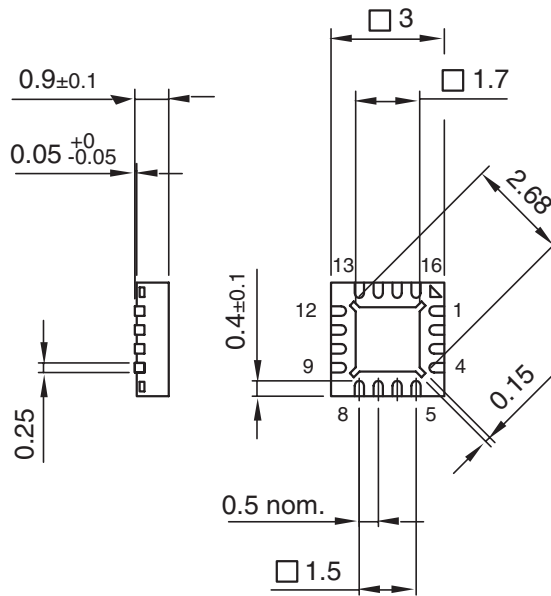
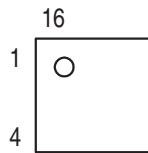
9. Ordering Information

Extended Type Number	Package	Remarks
ATR7040-PVPG	QFN16, 3 × 3	Taped and reeled, MOQ 2000, Pb-free
ATR7040-PVQG	QFN16, 3 × 3	Taped and reeled, MOQ 8000, Pb-free

10. Package Information

Package: QFN 16 - 3x3
 Exposed pad 1.7x1.7
 (acc. JEDEC OUTLINE No. MO-220)
 Dimensions in mm

Not indicated tolerances ±0.05



technical drawings
 according to DIN
 specifications

Drawing-No.: 6.543-5115.01-4

Issue: 1; 07.03.05

Assembly Chip PAC



Atmel Corporation

2325 Orchard Parkway
San Jose, CA 95131, USA
Tel: 1(408) 441-0311
Fax: 1(408) 487-2600

Regional Headquarters

Europe

Atmel Sarl
Route des Arsenaux 41
Case Postale 80
CH-1705 Fribourg
Switzerland
Tel: (41) 26-426-5555
Fax: (41) 26-426-5500

Asia

Room 1219
Chinachem Golden Plaza
77 Mody Road Tsimshatsui
East Kowloon
Hong Kong
Tel: (852) 2721-9778
Fax: (852) 2722-1369

Japan

9F, Tonetsu Shinkawa Bldg.
1-24-8 Shinkawa
Chuo-ku, Tokyo 104-0033
Japan
Tel: (81) 3-3523-3551
Fax: (81) 3-3523-7581

Atmel Operations

Memory

2325 Orchard Parkway
San Jose, CA 95131, USA
Tel: 1(408) 441-0311
Fax: 1(408) 436-4314

Microcontrollers

2325 Orchard Parkway
San Jose, CA 95131, USA
Tel: 1(408) 441-0311
Fax: 1(408) 436-4314

La Chantrerie
BP 70602
44306 Nantes Cedex 3, France
Tel: (33) 2-40-18-18-18
Fax: (33) 2-40-18-19-60

ASIC/ASSP/Smart Cards

Zone Industrielle
13106 Rousset Cedex, France
Tel: (33) 4-42-53-60-00
Fax: (33) 4-42-53-60-01

1150 East Cheyenne Mtn. Blvd.
Colorado Springs, CO 80906, USA
Tel: 1(719) 576-3300
Fax: 1(719) 540-1759

Scottish Enterprise Technology Park
Maxwell Building
East Kilbride G75 0QR, Scotland
Tel: (44) 1355-803-000
Fax: (44) 1355-242-743

RF/Automotive

Theresienstrasse 2
Postfach 3535
74025 Heilbronn, Germany
Tel: (49) 71-31-67-0
Fax: (49) 71-31-67-2340

1150 East Cheyenne Mtn. Blvd.
Colorado Springs, CO 80906, USA
Tel: 1(719) 576-3300
Fax: 1(719) 540-1759

Biometrics/Imaging/Hi-Rel MPU/ High-Speed Converters/RF Datacom

Avenue de Rochepleine
BP 123
38521 Saint-Egreve Cedex, France
Tel: (33) 4-76-58-30-00
Fax: (33) 4-76-58-34-80

Literature Requests

www.atmel.com/literature

Disclaimer: The information in this document is provided in connection with Atmel products. No license, express or implied, by estoppel or otherwise, to any intellectual property right is granted by this document or in connection with the sale of Atmel products. **EXCEPT AS SET FORTH IN ATMEL'S TERMS AND CONDITIONS OF SALE LOCATED ON ATMEL'S WEB SITE, ATMEL ASSUMES NO LIABILITY WHATSOEVER AND DISCLAIMS ANY EXPRESS, IMPLIED OR STATUTORY WARRANTY RELATING TO ITS PRODUCTS INCLUDING, BUT NOT LIMITED TO, THE IMPLIED WARRANTY OF MERCHANTABILITY, FITNESS FOR A PARTICULAR PURPOSE, OR NON-INFRINGEMENT. IN NO EVENT SHALL ATMEL BE LIABLE FOR ANY DIRECT, INDIRECT, CONSEQUENTIAL, PUNITIVE, SPECIAL OR INCIDENTAL DAMAGES (INCLUDING, WITHOUT LIMITATION, DAMAGES FOR LOSS OF PROFITS, BUSINESS INTERRUPTION, OR LOSS OF INFORMATION) ARISING OUT OF THE USE OR INABILITY TO USE THIS DOCUMENT, EVEN IF ATMEL HAS BEEN ADVISED OF THE POSSIBILITY OF SUCH DAMAGES.** Atmel makes no representations or warranties with respect to the accuracy or completeness of the contents of this document and reserves the right to make changes to specifications and product descriptions at any time without notice. Atmel does not make any commitment to update the information contained herein. Unless specifically provided otherwise, Atmel products are not suitable for, and shall not be used in, automotive applications. Atmel's products are not intended, authorized, or warranted for use as components in applications intended to support or sustain life.

© 2006 Atmel Corporation. All rights reserved. Atmel®, logo and combinations thereof, Everywhere You Are® and others are registered trademarks or trademarks of Atmel Corporation or its subsidiaries. Other terms and product names may be trademarks of others.