

ATS25 Series

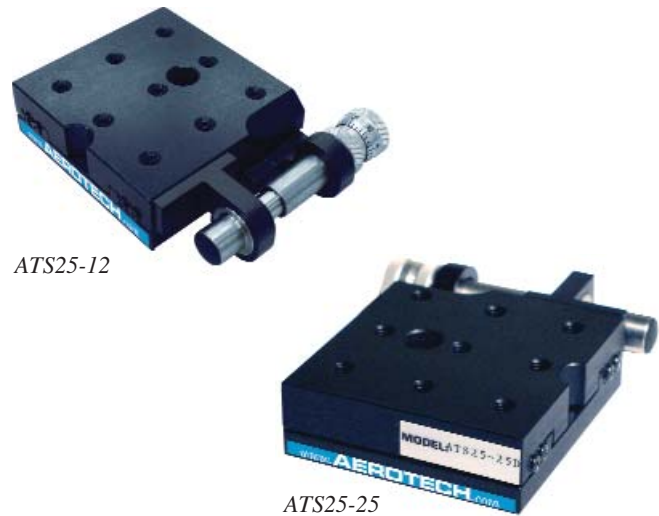
Manual Linear Positioning Stage

Micrometer or patented* sub-micron-resolution drive

12 mm and 25 mm travel

Crossed-roller bearings for superior positioning performance

Low profile



*U.S. Patent No. 3,727,471

Aerotech's low profile ATS25 series stages provide smooth and precision linear translation. The ATS25 series stages come with Aerotech's patented* sub-micron-resolution drive. This drive has both a coarse and fine adjustment. The coarse knob allows rapid translation, while the fine adjustment provides 25 nm resolution.

Preloaded crossed-roller bearings provide better geometrical accuracies and larger load carrying capability than linear ball-bearing systems. These stages can be easily mounted in X-Y and X-Y-Z applications. An optional mounting bracket, HDZ3S, is available for applications that require a vertical mounting orientation.

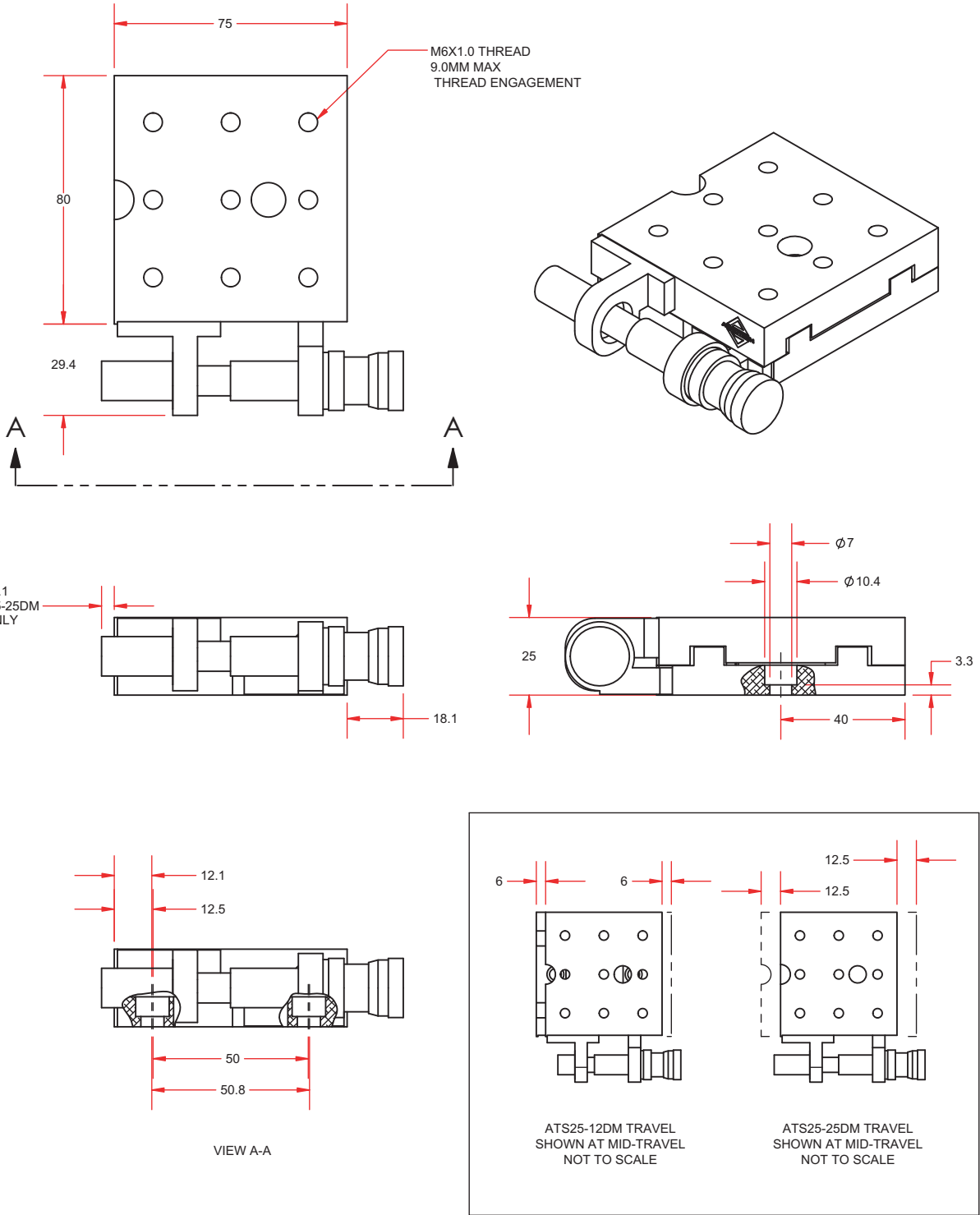
		ATS25-12DM	ATS25-25DM
Range		12.5 mm (0.5 in)	25 mm (1 in)
Thimble Graduation	Micrometer Spindle	1 micron (40 µin)	
	Sub-Micron Drive	0.1 micron (4 µin)	
Resolution⁽¹⁾		25 nm	
Max Load	Horizontal	22.7 kg (50 lb)	
	Vertical	9.09 kg (20 lb)	
Straightness and Flatness of Travel		0.5 micron (±20 µin)	
Repeatability (Unidirectional)		1 µm (20 nm)	
Material		Aluminum	
Finish		Black Anodize	
Weight		0.45 kg (1 lb)	0.9 kg (2 lb)

Note:
1. Per 0.5° movement of the fine adjustment.

ATS Series Linear

ATS25-12DM	12.5 mm (0.5 in) travel stage with Aerotech patented differential screw drive
ATS25-25DM	25 mm (1 in) travel stage with Aerotech patented differential screw drive

ATS25 Series DIMENSIONS



DIMENSIONS: MILLIMETERS