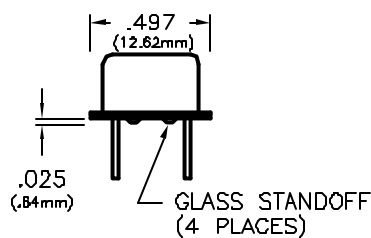
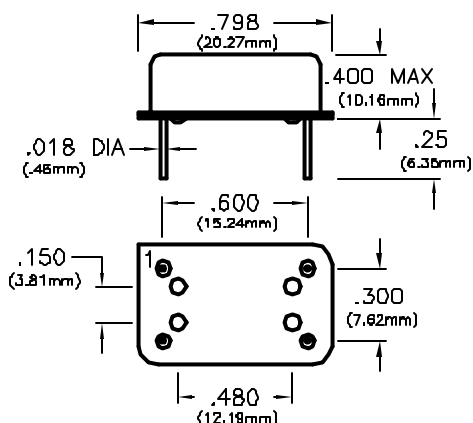


14 PIN DIP HCMOS TCXO

SPECIFICATIONS		ATV562		
Center Frequency (Fo)		38.88 MHz		
Frequency Stability (Vcc=5.00V , Vcontrol=2.5V)				
vs Temperature		±2.0ppm		
vs Calibration @ 25°C		±3.0ppm		
vs Aging for 10 yrs		±2.0ppm		
Temperature Range		-40°C to +85°C		
Supply Voltage		+5Vdc ±5%		
Supply Current		20mA Maximum		
Output	Waveform	HCMOS/TTL Squarewave		
	Load	15pF		
	Voltage	Voh	4.5V Minimum	
		Vol	0.4V Maximum	
	Current	Ioh	-4.0mA	
		Iol	4.0mA	
	Duty Cycle	40/60 Maximum		
	Rise/Fall Time	6nS Maximum		
	Jitter	5pS RMS Maximum		
Phase Noise	-135dBc/Hz at 10 KHz offset , Typical			
Frequency Control				
Vcontrol (Pin 1)		0.5 to 4.5Vdc		
Deviation @25°C (Relative to Fo)		±28ppm Minimum		
Slope		Positive		
Linearity of Freq Adjust		±10% Maximum		
Input Impedance to Pin 1		10K Ohms Minimum		
Start Up Time		10mS Maximum		
Package		All metal, hermetically sealed, welded package		



PIN	CONNECTION
1	FREQUENCY ADJUST
7	GROUND (CASE)
8	OUTPUT
14	(+) SUPPLY