

## Features

- Network support by hardware assisted Multiple PAN Address Filtering
- Advanced Hardware assisted Reduced Power Consumption
- High Performance, Low Power AVR® 8-Bit Microcontroller
- Advanced RISC Architecture
  - 135 Powerful Instructions – Most Single Clock Cycle Execution
  - 32x8 General Purpose Working Registers / On-Chip 2-cycle Multiplier
  - Up to 16 MIPS Throughput at 16 MHz and 1.8V – Fully Static Operation
- Non-volatile Program and Data Memories
  - 256K/128K/64K Bytes of In-System Self-Programmable Flash
    - Endurance: 10'000 Write/Erase Cycles @ 125°C (25'000 Cycles @ 85°C)
  - 8K/4K/2K Bytes EEPROM
    - Endurance: 20'000 Write/Erase Cycles @ 125°C (100'000 Cycles @ 25°C)
  - 32K/16K/8K Bytes Internal SRAM
- JTAG (IEEE std. 1149.1 compliant) Interface
  - Boundary-scan Capabilities According to the JTAG Standard
  - Extensive On-chip Debug Support
  - Programming of Flash EEPROM, Fuses and Lock Bits through the JTAG interface
- Peripheral Features
  - Multiple Timer/Counter & PWM channels
  - Real Time Counter with Separate Oscillator
  - 10-bit, 330 ks/s A/D Converter; Analog Comparator; On-chip Temperature Sensor
  - Master/Slave SPI Serial Interface
  - Two Programmable Serial USART
  - Byte Oriented 2-wire Serial Interface
- Advanced Interrupt Handler and Power Save Modes
- Watchdog Timer with Separate On-Chip Oscillator
- Power-on Reset and Low Current Brown-Out Detector
- Fully integrated Low Power Transceiver for 2.4 GHz ISM Band
  - High Power Amplifier support by TX spectrum side lobe suppression
  - Supported Data Rates: 250 kb/s and 500 kb/s, 1 Mb/s, 2 Mb/s
  - -100 dBm RX Sensitivity; TX Output Power up to 3.5 dBm
  - Hardware Assisted MAC (Auto-Acknowledge, Auto-Retry)
  - 32 Bit IEEE 802.15.4 Symbol Counter
  - SFD-Detection, Spreading; De-Spreading; Framing ; CRC-16 Computation
  - Antenna Diversity and TX/RX control / TX/RX 128 Byte Frame Buffer
- PLL synthesizer with 5 MHz and 500 kHz channel spacing for 2.4 GHz ISM Band
- Hardware Security (AES, True Random Generator)
- Integrated Crystal Oscillators (32.768 kHz & 16 MHz, external crystal needed)
- I/O and Package
  - 33 Programmable I/O Lines
  - 48-pad QFN (RoHS/Fully Green)
- Temperature Range: -40°C to 125°C Industrial
- Ultra Low Power consumption (1.8 to 3.6V) for AVR & Rx/Tx: 10.1mA/18.6 mA
  - CPU Active Mode (16MHz): 4.1 mA
  - 2.4GHz Transceiver: RX\_ON 6.0 mA / TX 14.5 mA (maximum TX output power)
  - Deep Sleep Mode: <700nA @ 25°C
- Speed Grade: 0 – 16 MHz @ 1.8 – 3.6V range with integrated voltage regulators

## Applications

- ZigBee® / IEEE 802.15.4-2011/2006/2003™ – Full and Reduced Function Device
- General Purpose 2.4GHz ISM Band Transceiver with Microcontroller
- RF4CE, SP100, WirelessHART™, ISM Applications and IPv6 / 6LoWPAN



**8-bit AVR®  
Microcontroller  
with Low Power  
2.4GHz  
Transceiver for  
ZigBee and  
IEEE 802.15.4**

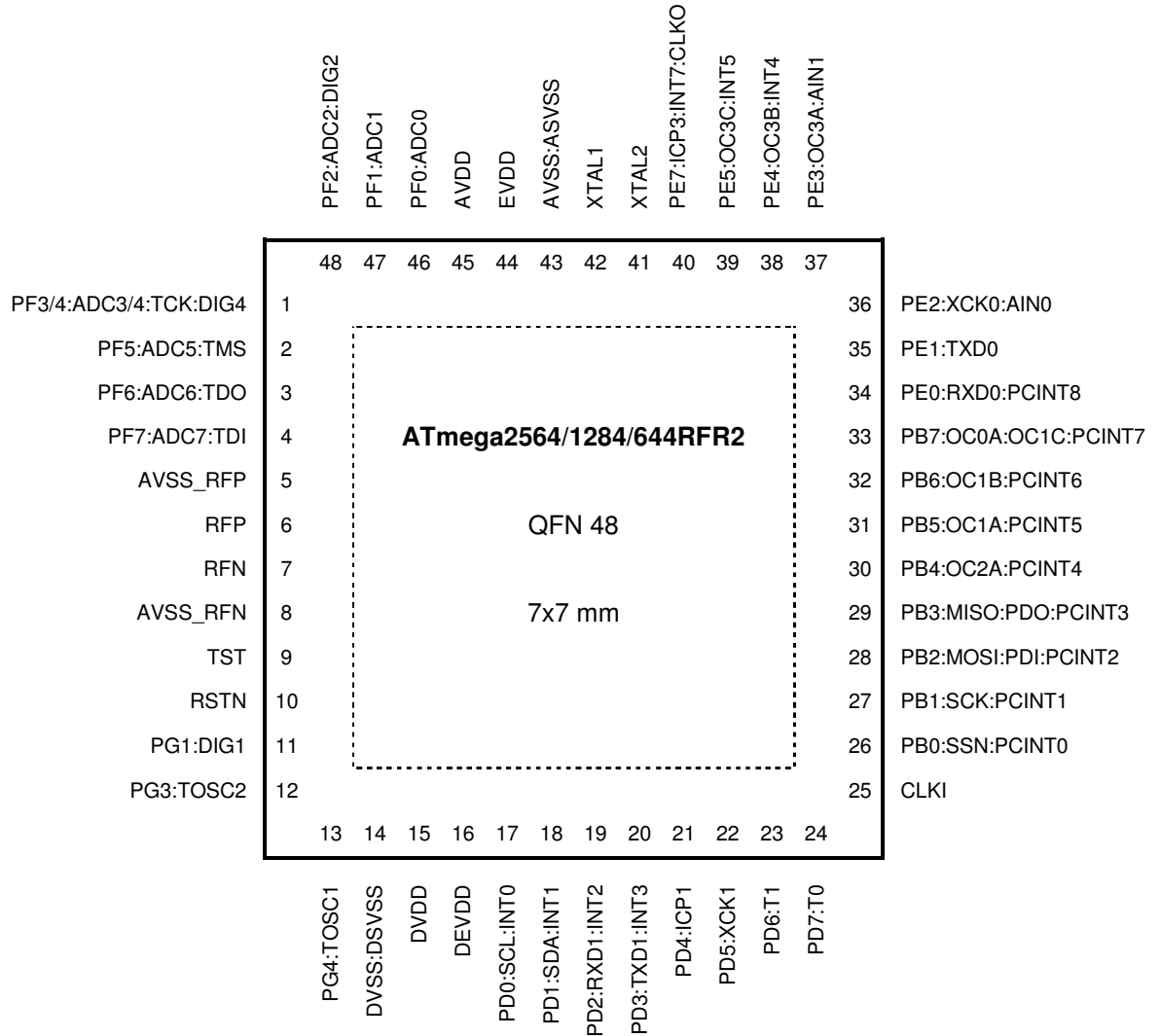
**ATmega2564RFR2  
ATmega1284RFR2  
ATmega644RFR2**

42073B-MCU Wireless-09/14



# 1 Pin Configurations

Figure 1-1. Pinout ATmega2564/1284/644RFR2



Note: The large center pad underneath the QFN/MLF package is made of metal and internally connected to AVSS. It should be soldered or glued to the board to ensure good mechanical stability. If the center pad is left unconnected, the package might loosen from the board. It is not recommended to use the exposed paddle as a replacement of the regular AVSS pins.

## 2 Disclaimer

Typical values contained in this datasheet are based on simulation and characterization results of other AVR microcontrollers and radio transceivers manufactured in a similar process technology. Minimum and Maximum values will be available after the device is characterized.

## 3 Overview

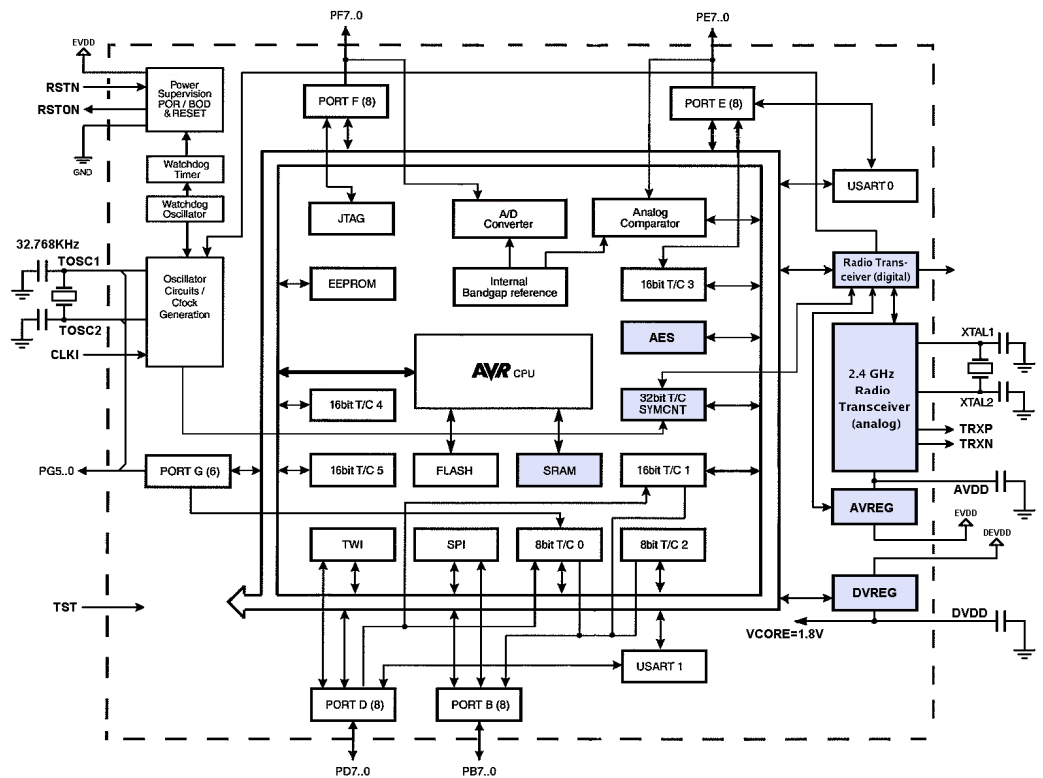
The ATmega2564/1284/644RFR2 is a low-power CMOS 8-bit microcontroller based on the AVR enhanced RISC architecture combined with a high data rate transceiver for the 2.4 GHz ISM band.

By executing powerful instructions in a single clock cycle, the device achieves throughputs approaching 1 MIPS per MHz allowing the system designer to optimize power consumption versus processing speed.

The radio transceiver provides high data rates from 250 kb/s up to 2 Mb/s, frame handling, outstanding receiver sensitivity and high transmit output power enabling a very robust wireless communication.

### 3.1 Block Diagram

Figure 3-1 Block Diagram



The AVR core combines a rich instruction set with 32 general purpose working registers. All 32 registers are directly connected to the Arithmetic Logic Unit (ALU). Two independent registers can be accessed with one single instruction executed in one clock cycle. The resulting architecture is very code efficient while achieving throughputs up to ten times faster than conventional CISC microcontrollers. The system includes internal voltage regulation and an advanced power management. Distinguished by the small leakage current it allows an extended operation time from battery.

The radio transceiver is a fully integrated ZigBee solution using a minimum number of external components. It combines excellent RF performance with low cost, small size and low current consumption. The radio transceiver includes a crystal stabilized fractional-N synthesizer, transmitter and receiver, and full Direct Sequence Spread

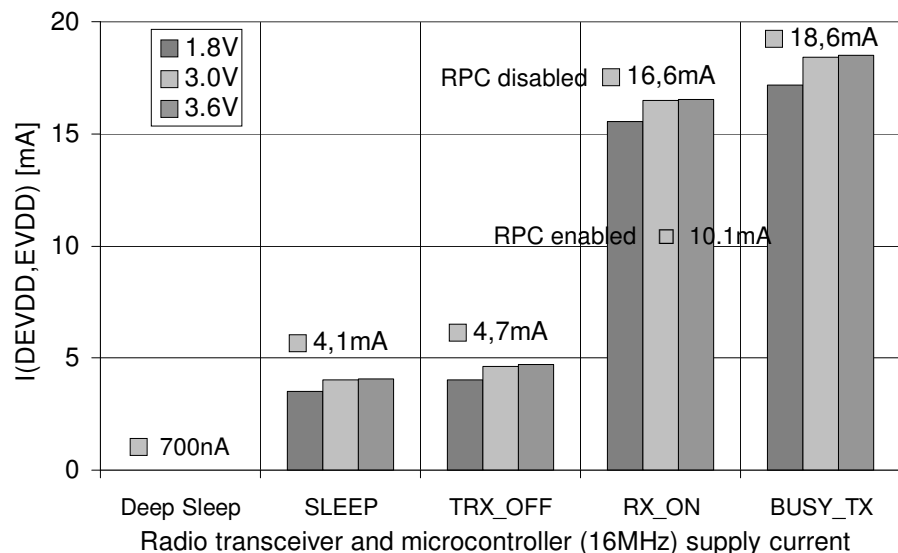
Spectrum Signal (DSSS) processing with spreading and despreading. The device is fully compatible with IEEE802.15.4-2011/2006/2003 and ZigBee standards.

The ATmega2564/1284/644RFR2 provides the following features: 256K/128K/64K Bytes of In-System Programmable (ISP) Flash with read-while-write capabilities, 8K/4K/2K Bytes EEPROM, 32K/16K/8K Bytes SRAM, up to 35 general purpose I/O lines, 32 general purpose working registers, Real Time Counter (RTC), 6 flexible Timer/Counters with compare modes and PWM, a 32 bit Timer/Counter, 2 USART, a byte oriented 2-wire Serial Interface, a 8 channel, 10 bit analog to digital converter (ADC) with an optional differential input stage with programmable gain, programmable Watchdog Timer with Internal Oscillator, a SPI serial port, IEEE std. 1149.1 compliant JTAG test interface, also used for accessing the On-chip Debug system and programming and 6 software selectable power saving modes.

The Idle mode stops the CPU while allowing the SRAM, Timer/Counters, SPI port, and interrupt system to continue functioning. The Power-down mode saves the register contents but freezes the Oscillator, disabling all other chip functions until the next interrupt or hardware reset. In Power-save mode, the asynchronous timer continues to run, allowing the user to maintain a timer base while the rest of the device is sleeping. The ADC Noise Reduction mode stops the CPU and all I/O modules except asynchronous timer and ADC, to minimize switching noise during ADC conversions. In Standby mode, the RC oscillator is running while the rest of the device is sleeping. This allows very fast start-up combined with low power consumption. In Extended Standby mode, both the main RC oscillator and the asynchronous timer continue to run.

Typical supply current of the microcontroller with CPU clock set to 16MHz and the radio transceiver for the most important states is shown in the [Figure 3-2 below](#).

**Figure 3-2** Radio transceiver and microcontroller (16MHz) supply current



The transmit output power is set to maximum. If the radio transceiver is in SLEEP mode the current is dissipated by the AVR microcontroller only.

In Deep Sleep mode all major digital blocks with no data retention requirements are disconnected from main supply providing a very small leakage current. Watchdog timer, MAC symbol counter and 32.768kHz oscillator can be configured to continue to run.

The device is manufactured using Atmel's high-density nonvolatile memory technology. The On-chip ISP Flash allows the program memory to be reprogrammed in-system through an SPI serial interface, by a conventional nonvolatile memory programmer, or by on-chip boot program running on the AVR core. The boot program can use any interface to download the application program in the application Flash memory. Software in the boot Flash section will continue to run while the application Flash section is updated, providing true Read-While-Write operation. By combining an 8 bit RISC CPU with In-System Self-Programmable Flash on a monolithic chip, the Atmel ATmega2564/1284/644RFR2 is a powerful microcontroller that provides a highly flexible and cost effective solution to many embedded control applications.

The ATmega2564/1284/644RFR2 AVR is supported with a full suite of program and system development tools including: C compiler, macro assemblers, program debugger/simulators, in-circuit emulators, and evaluation kits.

## 3.2 Pin Descriptions

### 3.2.1 EVDD

External analog supply voltage.

### 3.2.2 DEVDD

External digital supply voltage.

### 3.2.3 AVDD

Regulated analog supply voltage (internally generated).

### 3.2.4 DVDD

Regulated digital supply voltage (internally generated).

### 3.2.5 DVSS

Digital ground.

### 3.2.6 AVSS

Analog ground.

### 3.2.7 Port B (PB7...PB0)

Port B is an 8-bit bi-directional I/O port with internal pull-up resistors (selected for each bit). The Port B output buffers have symmetrical drive characteristics with both high sink and source capability. As inputs, Port B pins that are externally pulled low will source current if the pull-up resistors are activated. The Port B pins are tri-stated when a reset condition becomes active, even if the clock is not running.

Port B also provides functions of various special features of the ATmega2564/1284/644RFR2.

### 3.2.8 Port D (PD7...PD0)

Port D is an 8-bit bi-directional I/O port with internal pull-up resistors (selected for each bit). The Port D output buffers have symmetrical drive characteristics with both high sink and source capability. As inputs, Port D pins that are externally pulled low will source current if the pull-up resistors are activated. The Port D pins are tri-stated when a reset condition becomes active, even if the clock is not running.

Port D also provides functions of various special features of the ATmega2564/1284/644RFR2.

### 3.2.9 Port E (PE7,PE5...PE0)

Internally Port E is an 8-bit bi-directional I/O port with internal pull-up resistors (selected for each bit). The Port E output buffers have symmetrical drive characteristics with both high sink and source capability. As inputs, Port E pins that are externally pulled low will

source current if the pull-up resistors are activated. The Port E pins are tri-stated when a reset condition becomes active, even if the clock is not running.

Due to the low pin count of the QFN48 package port E6 is not connected to a pin.

Port E also provides functions of various special features of the ATmega2564/1284/644RFR2.

### 3.2.10 Port F (PF7..PF5,PF4/3,PF2...PF0)

Internally Port F is an 8-bit bi-directional I/O port with internal pull-up resistors (selected for each bit). The Port F output buffers have symmetrical drive characteristics with both high sink and source capability. As inputs, Port F pins that are externally pulled low will source current if the pull-up resistors are activated. The Port F pins are tri-stated when a reset condition becomes active, even if the clock is not running.

Due to the low pin count of the QFN48 package port F3 and F4 are connected to the same pin. The I/O configuration should be done carefully in order to avoid excessive power dissipation.

Port F also provides functions of various special features of the ATmega2564/1284/644RFR2.

### 3.2.11 Port G (PG4,PG3,PG1)

Internally Port G is a 6-bit bi-directional I/O port with internal pull-up resistors (selected for each bit). The Port G output buffers have symmetrical drive characteristics with both high sink and source capability. However the driver strength of PG3 and PG4 is reduced compared to the other port pins. The output voltage drop ( $V_{OH}$ ,  $V_{OL}$ ) is higher while the leakage current is smaller. As inputs, Port G pins that are externally pulled low will source current if the pull-up resistors are activated. The Port G pins are tri-stated when a reset condition becomes active, even if the clock is not running.

Due to the low pin count of the QFN48 package port G0, G2 and G5 are not connected to a pin.

Port G also provides functions of various special features of the ATmega2564/1284/644RFR2.

### 3.2.12 AVSS\_RFP

AVSS\_RFP is a dedicated ground pin for the bi-directional, differential RF I/O port.

### 3.2.13 AVSS\_RFN

AVSS\_RFN is a dedicated ground pin for the bi-directional, differential RF I/O port.

### 3.2.14 RFP

RFP is the positive terminal for the bi-directional, differential RF I/O port.

### 3.2.15 RFN

RFN is the negative terminal for the bi-directional, differential RF I/O port.

### 3.2.16 RSTN

Reset input. A low level on this pin for longer than the minimum pulse length will generate a reset, even if the clock is not running. Shorter pulses are not guaranteed to generate a reset.

### 3.2.17 XTAL1

Input to the inverting 16MHz crystal oscillator amplifier. In general a crystal between XTAL1 and XTAL2 provides the 16MHz reference clock of the radio transceiver.

### 3.2.18 XTAL2

Output of the inverting 16MHz crystal oscillator amplifier.

## 3.2.19 TST

Programming and test mode enable pin. If pin TST is not used pull it to low.

## 3.2.20 CLKI

Input to the clock system. If selected, it provides the operating clock of the microcontroller.

## 3.3 Unused Pins

Floating pins can cause power dissipation in the digital input stage. They should be connected to an appropriate source. In normal operation modes the internal pull-up resistors can be enabled (in Reset all GPIO are configured as input and the pull-up resistors are still not enabled).

Bi-directional I/O pins shall not be connected to ground or power supply directly.

The digital input pins TST and CLKI must be connected. If unused pin TST can be connected to AVSS while CLKI should be connected to DVSS.

Output pins are driven by the device and do not float. Power supply pins respective ground supply pins are connected together internally.

XTAL1 and XTAL2 shall never be forced to supply voltage at the same time.

## 3.4 Compatibility and Feature Limitations of QFN-48 Package

### 3.4.1 AREF

The reference voltage output of the A/D converter is not connected to a pin in the ATmega2564/1284/644RFR2.

### 3.4.2 Port E6

The port E6 is not connected to a pin in the ATmega2564/1284/644RFR2. The alternate pin functions as clock input to timer 3 and external interrupt 6 are not available.

### 3.4.3 Port F3 and F4

The port F3 and F4 are connected to the same pin in the ATmega2564/1284/644RFR2. The output configuration should be done carefully in order to avoid excessive current consumption.

The alternate pin function of port F4 is used by the JTAG interface. If the JTAG interface is used the port F3 must be configured as input and the alternate pin function output DIG4 (RX/TX indicator) must be disabled. Otherwise the JTAG interface will not work. The SPIEN Fuse should be programmed in order to be able to erase a program that accidentally drive port F3.

There are just 7 single-ended input channel to the ADC available.

### 3.4.4 Port G0

The port G0 is not connected to a pin in the ATmega2564/1284/644RFR2. The alternate pin function DIG3 (inverted RX/TX indicator) is not available. If the JTAG interface is not used the DIG4 alternate pin function output of port F3 can still be used as RX/TX indicator.

### 3.4.5 Port G2

The port G2 is not connected to a pin in the ATmega2564/1284/644RFR2. The alternate pin function AMR (asynchronous automated meter reading input to timer 2) is not available.

### 3.4.6 Port G5

The port G5 is not connected to a pin in the ATmega2564/1284/644RFR2. The alternate pin function OC0B (output compare channel of 8-Bit timer 0) is not available.

### 3.4.7 RSTON

The RSTON reset output signaling the internal reset state is not connected to a pin in the ATmega2564/1284/644RFR2.

## 4 Resources

A comprehensive set of development tools and application notes, and datasheets are available for download on <http://www.atmel.com>.

## 5 About Code Examples

This documentation contains simple code examples that briefly show how to use various parts of the device. Be aware that not all C compiler vendors include bit definitions in the header files and interrupt handling in C is compiler dependent. Please confirm with the C compiler documentation for more details.

These code examples assume that the part specific header file is included before compilation. For I/O registers located in extended I/O map, "IN", "OUT", "SBIS", "SBIC", "CBI", and "SBI" instructions must be replaced with instructions that allow access to extended I/O. Typically "LDS" and "STS" combined with "SBRS", "SBRC", "SBR", and "CBR".

## 6 Data Retention and Endurance

### 6.1 Data Retention

The data retention of the non-volatile memories is

- over 10 years at 125°C
- over 100 years at 25°C

### 6.2 Endurance of the Code Memory (FLASH)

The endurance of the code memory (FLASH) is

- 125°C – 10,000 Write/Erase cycles
- 85°C – 25,000 Write/Erase cycles

### 6.3 Endurance of the Data Memory (EEPROM)

The endurance of the entire data memory (EEPROM) is

- 125°C – 20,000 Write/Erase cycles
- 85°C – 50,000 Write/Erase cycles
- 25°C – 100,000 Write/Erase cycles



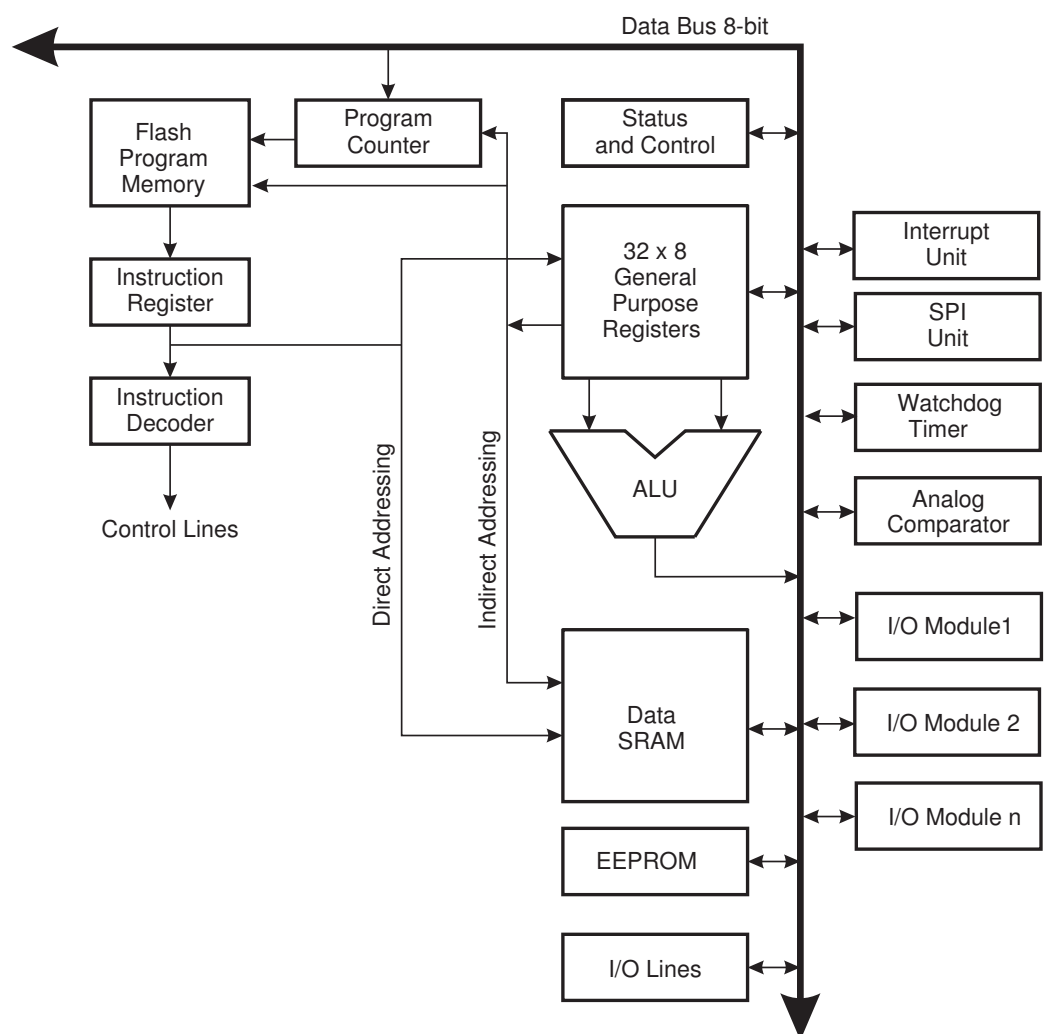
## 7 AVR CPU Core

### 7.1 Introduction

This section discusses the AVR core architecture in general. The main function of the CPU core is to ensure correct program execution. The CPU must therefore be able to access memories, perform calculation, control peripherals, and handle interrupts.

### 7.2 Architectural Overview

**Figure 7-1.** Block Diagram of the AVR Architecture



In order to maximize performance and parallelism, the AVR uses a Harvard architecture – with separate memories and buses for program and data. Instructions in the program memory are executed with a single level pipelining. While one instruction is being executed, the next instruction is pre-fetched from the program memory. This concept enables instructions to be executed in every clock cycle. The program memory is In-System Reprogrammable Flash memory.

The fast-access Register File contains 32 x 8-bit general purpose working registers with a single clock cycle access time. This allows single-cycle Arithmetic Logic Unit (ALU) operation. In a typical ALU operation, two operands are output from the Register File, the operation is executed, and the result is stored back in the Register File – in one clock cycle.

Six of the 32 registers can be used as three 16-bit indirect address register pointers for Data Space addressing – enabling efficient address calculations. One of these address pointers can also be used as an address pointer for look up tables in Flash program memory. These added function registers are the 16-bit X-, Y-, and Z-register, described later in this section.

The ALU supports arithmetic and logic operations between registers or between a constant and a register. Single register operations can also be executed in the ALU. After an arithmetic operation, the Status Register is updated to reflect information about the result of the operation.

Program flow is provided by conditional and unconditional jump and call instructions, able to directly address the whole address space. Most AVR instructions have a single 16-bit word format. Every program memory address contains a 16- or 32-bit instruction.

Program Flash memory space is divided in two sections, the Boot Program section and the Application Program section. Both sections have dedicated Lock bits for write and read/write protection. The SPM instruction that writes into the Application Flash memory section must reside in the Boot Program section.

During interrupts and subroutine calls, the return address Program Counter (PC) is stored on the Stack. The Stack is effectively allocated in the general data SRAM, and consequently the Stack size is only limited by the total SRAM size and the usage of the SRAM. All user programs must initialize the SP in the Reset routine (before subroutines or interrupts are executed). The Stack Pointer (SP) is read/write accessible in the I/O space. The data SRAM can easily be accessed through the five different addressing modes supported in the AVR architecture.

The memory spaces in the AVR architecture are all linear and regular memory maps.

A flexible interrupt module has its control registers in the I/O space with an additional Global Interrupt Enable bit in the Status Register. All interrupts have a separate Interrupt Vector in the Interrupt Vector table. The interrupts have priority in accordance with their Interrupt Vector position. The lower the Interrupt Vector address, the higher the priority.

The I/O memory space contains 64 addresses for CPU peripheral functions as Control Registers, SPI, and other I/O functions. The I/O Memory can be accessed directly, or as the Data Space locations following those of the Register File, 0x20 - 0x5F. In addition, the ATmega2564/1284/644RFR2 has Extended I/O space from 0x60 - 0x1FF in SRAM where only the ST/STS/STD and LD/LDS/LDD instructions can be used.

## 7.3 ALU – Arithmetic Logic Unit

The high-performance AVR ALU operates in direct connection with all the 32 general purpose working registers. Within a single clock cycle, arithmetic operations between general purpose registers or between a register and an immediate are executed. The ALU operations are divided into three main categories – arithmetic, logical, and bit functions. Some implementations of the architecture also provide a powerful multiplier supporting both signed/unsigned multiplication and fractional format. See the “Instruction Set” section for a detailed description.

## 7.4 Status Register

The Status Register contains information about the result of the most recently executed arithmetic instruction. This information can be used for altering program flow in order to perform conditional operations. Note that the Status Register is updated after all ALU operations, as specified in the Instruction Set Reference. This will in many cases remove the need for using the dedicated compare instructions, resulting in faster and more compact code. The Status Register is not automatically stored when entering an interrupt routine and restored when returning from an interrupt. This must be handled by software.

### 7.4.1 SREG – Status Register

| Bit           | 7  | 6  | 5  | 4  | 3  | 2  | 1  | 0  |      |
|---------------|----|----|----|----|----|----|----|----|------|
| \$3F (\$5F)   | I  | T  | H  | S  | V  | N  | Z  | C  | SREG |
| Read/Write    | RW | RW | RW | RW | RW | RW | RW | RW |      |
| Initial Value | 0  | 0  | 0  | 0  | 0  | 0  | 0  | 0  |      |

- **Bit 7 – I - Global Interrupt Enable**

The global interrupt enable bit must be set (one) for the interrupts to be enabled. The individual interrupt enable control is then performed in separate control registers. If the global interrupt enable bit is cleared (zero), none of the interrupts are enabled independent of the individual interrupt enable settings. The I-bit is cleared by hardware after an interrupt has occurred, and is set by the RETI instruction to enable subsequent interrupts.

- **Bit 6 – T - Bit Copy Storage**

The bit copy instructions BLD (Bit Load) and BST (Bit Store) use the T bit as source and destination for the operated bit. A bit from a register in the register file can be copied into T by the BST instruction, and a bit in T can be copied into a bit in a register in the register file by the BLD instruction.

- **Bit 5 – H - Half Carry Flag**

The half carry flag H indicates a half carry in some arithmetic operations. See the Instruction Set Description for detailed information.

- **Bit 4 – S - Sign Bit**

The S-bit is always an exclusive or between the negative flag N and the two's complement overflow flag V. See the Instruction Set Description for detailed information.

- **Bit 3 – V - Two's Complement Overflow Flag**

The two's complement overflow flag V supports two's complement arithmetics. See the Instruction Set Description for detailed information.

- **Bit 2 – N - Negative Flag**

The negative flag N indicates a negative result after the different arithmetic and logic operations. See the Instruction Set Description for detailed information.

- **Bit 1 – Z - Zero Flag**

The zero flag Z indicates a zero result after the different arithmetic and logic operations. See the Instruction Set Description for detailed information.

- **Bit 0 – C - Carry Flag**

The carry flag C indicates a carry in an arithmetic or logic operation. See the Instruction Set Description for detailed information. Note that the status register is not automatically

stored when entering an interrupt routine and restored when returning from an interrupt routine. This must be handled by software.

## 7.5 General Purpose Register File

The Register File is optimized for the AVR Enhanced RISC instruction set. In order to achieve the required performance and flexibility, the following input/output schemes are supported by the Register File:

- One 8-bit output operand and one 8-bit result input
- Two 8-bit output operands and one 8-bit result input
- Two 8-bit output operands and one 16-bit result input
- One 16-bit output operand and one 16-bit result input

Figure 7-1 below shows the structure of the 32 general purpose working registers in the CPU.

**Figure 7-1.** AVR CPU General Purpose Working Registers

|  | 7   | 0 | Addr. |                      |
|--|-----|---|-------|----------------------|
| General<br>Purpose<br>Working<br>Registers | R0  |   | 0x00  |                      |
|  | R1  |   | 0x01  |                      |
|  | R2  |   | 0x02  |                      |
|  | ... |   |       |                      |
|  | R13 |   | 0x0D  |                      |
|  | R14 |   | 0x0E  |                      |
|  | R15 |   | 0x0F  |                      |
|  | R16 |   | 0x10  |                      |
|  | R17 |   | 0x11  |                      |
|  | ... |   |       |                      |
|  | R26 |   | 0x1A  | X-register Low Byte  |
|  | R27 |   | 0x1B  | X-register High Byte |
|  | R28 |   | 0x1C  | Y-register Low Byte  |
|  | R29 |   | 0x1D  | Y-register High Byte |
|  | R30 |   | 0x1E  | Z-register Low Byte  |
|  | R31 |   | 0x1F  | Z-register High Byte |

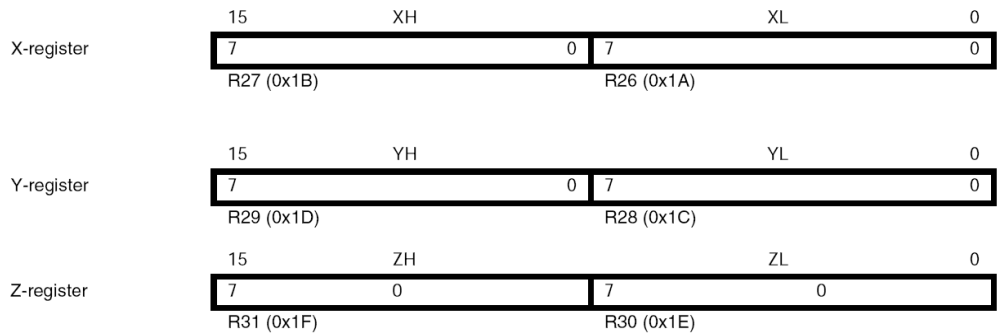
Most of the instructions operating on the Register File have direct access to all registers, and most of them are single cycle instructions.

As shown in Figure 7-1 above each register is also assigned a data memory address, mapping them directly into the first 32 locations of the user Data Space. Although not being physically implemented as SRAM locations, this memory organization provides great flexibility in access of the registers, as the X-, Y- and Z-pointer registers can be set to index any register in the file.

### 7.5.1 The X-register, Y-register, and Z-register

The registers R26...R31 have some added functions to their general purpose usage. These registers are 16-bit address pointers for indirect addressing of the data space. The three indirect address registers X, Y, and Z are defined as described in Figure 7-2 on page 13.

**Figure 7-2.** The X-, Y-, Z-registers



In the different addressing modes these address registers have functions as fixed displacement, automatic increment, and automatic decrement (see the instruction set reference for details).

## 7.6 Stack Pointer

The Stack is mainly used for storing temporary data, for storing local variables and for storing return addresses after interrupts and subroutine calls. The Stack Pointer Register always points to the top of the Stack. Note that the Stack is implemented as growing from higher memory locations to lower memory locations. This implies that a Stack PUSH command decreases the Stack Pointer.

The Stack Pointer points to the data SRAM Stack area where the Subroutine and Interrupt Stacks are located. This Stack space in the data SRAM must be defined by the program before any subroutine calls are executed or interrupts are enabled. The Stack Pointer must be set to point above 0x0200. The initial value of the stack pointer is the last address of the internal SRAM.

The Stack Pointer is decremented by one when data is pushed onto the Stack with the PUSH instruction, and it is decremented by two when the return address is pushed onto the Stack with subroutine call or interrupt. The Stack Pointer is incremented by one when data is popped from the Stack with the POP instruction, and it is incremented by two when data is popped from the Stack with return from subroutine RET or return from interrupt RETI.

When the FLASH memory exceeds 128Kbyte one additional cycle is required. In this case the Stack Pointer is decremented by three when the return address is pushed onto the Stack with subroutine call or interrupt and is incremented by three when data is popped from the Stack with return from subroutine RET or return from interrupt RETI.

- Note:
1. If the Stack Pointer is zero and then decremented the new Stack Pointer value will be different within the device family: 0xffff (256K Byte FLASH memory), 0x7fff (128 K Byte FLASH memory) and 0x03fff (64 K Byte FLASH memory), respectively. Useful upper values of the Stack Pointer are defined by the SRAM size.

### 7.6.1 SPH – Stack Pointer High

|               |      |      |      |      |      |      |     |     |     |
|---------------|------|------|------|------|------|------|-----|-----|-----|
| Bit           | 7    | 6    | 5    | 4    | 3    | 2    | 1   | 0   |     |
| \$3E (\$5E)   | SP15 | SP14 | SP13 | SP12 | SP11 | SP10 | SP9 | SP8 | SPH |
| Read/Write    | RW   | RW   | RW   | RW   | RW   | RW   | RW  | RW  |     |
| Initial Value | 0    | 0    | 1    | 0    | 0    | 0    | 0   | 1   |     |

The AVR Stack Pointer is implemented as two 8-bit registers SPL and SPH in the I/O space. The number of bits actually used is implementation dependent. Note that the data space in some implementations of the AVR architecture is so small that only SPL is needed. In this case, the SPH Register will not be present.

- **Bit 7:0 – SP15:8 - Stack Pointer High Byte**

### 7.6.2 SPL – Stack Pointer Low

|               |            |            |            |            |            |            |            |            |            |
|---------------|------------|------------|------------|------------|------------|------------|------------|------------|------------|
| Bit           | 7          | 6          | 5          | 4          | 3          | 2          | 1          | 0          |            |
| \$3D (\$5D)   | <b>SP7</b> | <b>SP6</b> | <b>SP5</b> | <b>SP4</b> | <b>SP3</b> | <b>SP2</b> | <b>SP1</b> | <b>SP0</b> | <b>SPL</b> |
| Read/Write    | RW         | RW         | RW         | RW         | RW         | RW         | RW         | RW         |            |
| Initial Value | 1          | 1          | 1          | 1          | 1          | 1          | 1          | 1          |            |

The AVR Stack Pointer is implemented as two 8-bit registers SPL and SPH in the I/O space. The number of bits actually used is implementation dependent. Note that the data space in some implementations of the AVR architecture is so small that only SPL is needed. In this case, the SPH Register will not be present.

- **Bit 7:0 – SP7:0 - Stack Pointer Low Byte**

### 7.6.3 RAMPZ – Extended Z-pointer Register for ELPM/SPM

|               |             |             |             |             |             |             |               |               |              |
|---------------|-------------|-------------|-------------|-------------|-------------|-------------|---------------|---------------|--------------|
| Bit           | 7           | 6           | 5           | 4           | 3           | 2           | 1             | 0             |              |
| \$3B (\$5B)   | <b>Res5</b> | <b>Res4</b> | <b>Res3</b> | <b>Res2</b> | <b>Res1</b> | <b>Res0</b> | <b>RAMPZ1</b> | <b>RAMPZ0</b> | <b>RAMPZ</b> |
| Read/Write    | R           | R           | R           | R           | R           | R           | RW            | RW            |              |
| Initial Value | 0           | 0           | 0           | 0           | 0           | 0           | 0             | 0             |              |

For ELPM/SPM instructions, the Z-pointer is a concatenation of RAMPZ, ZH, and ZL. Note that LPM is not affected by the RAMPZ setting.

- **Bit 7:2 – Res5:0 - Reserved**

For compatibility with future devices, be sure to write these bits to zero.

- **Bit 1:0 – RAMPZ1:0 - Extended Z-Pointer Value**

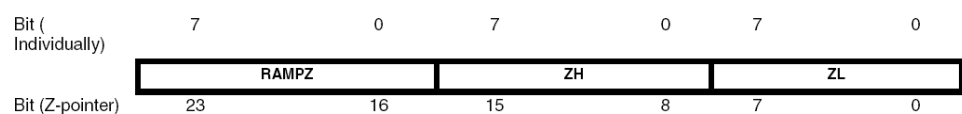
Represent the MSB's of the Z-Pointer.

**Table 7-2** RAMPZ Register Bits

| Register Bits | Value | Description                       |
|---------------|-------|-----------------------------------|
| RAMPZ1:0      | 0     | Default value of Z-pointer MSB's. |

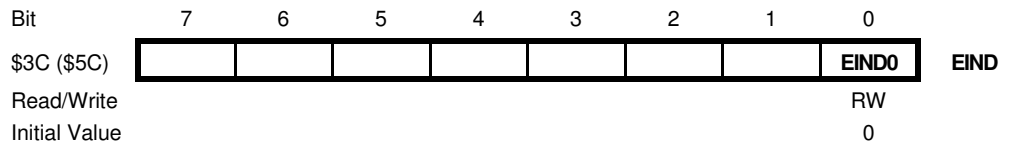
For ELPM/SPM instructions, the Z-pointer is a concatenation of RAMPZ, ZH, and ZL, as shown in [Figure 7-3 below](#). Note that LPM is not affected by the RAMPZ setting.

**Figure 7-3.** The Z-pointer used by ELPM and SPM



The actual number of bits is implementation dependent. Unused bits in an implementation will always read as zero. For compatibility with future devices, be sure to write these bits to zero.

## 7.6.4 EIND – Extended Indirect Register



- **Bit 0 – EIND0 - Bit 0**

For EICALL/EIJMP instructions.

## 7.7 Instruction Execution Timing

**Figure 7-4.** The Parallel Instruction Fetches and Instruction Executions

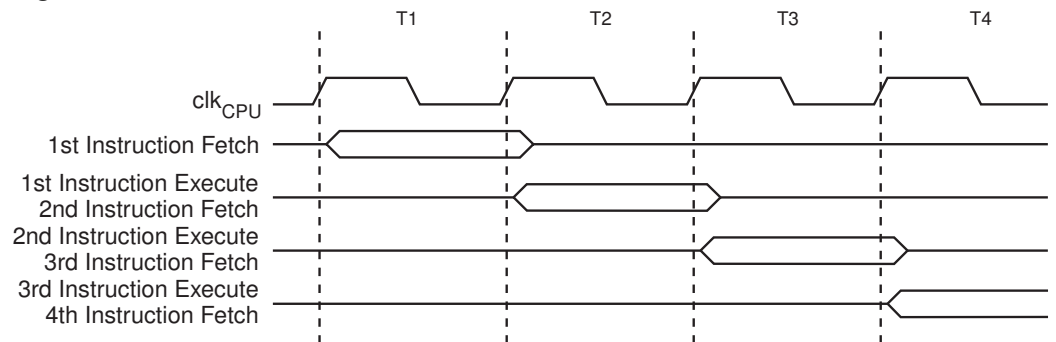
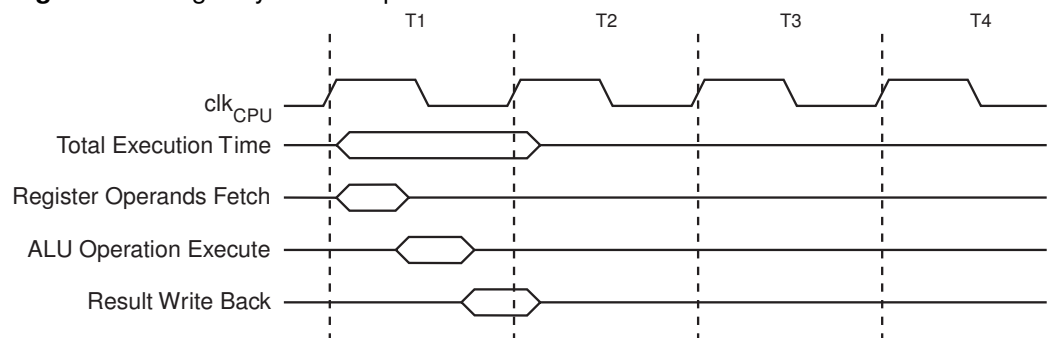


Figure 7-5 below shows the internal timing concept for the Register File. In a single clock cycle an ALU operation using two register operands is executed, and the result is stored back to the destination register.

**Figure 7-5.** Single Cycle ALU operation



## 7.8 Reset and Interrupt Handling

The AVR provides several different interrupt sources. These interrupts and the separate Reset Vector each have a separate program vector in the program memory space. All

interrupts are assigned individual enable bits which must be written logic one together with the Global Interrupt Enable bit in the Status Register in order to enable the interrupt. Depending on the Program Counter value, interrupts may be automatically disabled when Boot Lock bits BLB02 or BLB12 are programmed. This feature improves software security. See the section ["Memory Programming" on page 502](#) for details.

The lowest addresses in the program memory space are by default defined as the Reset and Interrupt Vectors. The complete list of vectors is shown in ["Interrupts" on page 241](#). The list also determines the priority levels of the different interrupts. The lower the address the higher is the priority level. RESET has the highest priority, and next is INT0 – the External Interrupt Request 0. The Interrupt Vectors can be moved to the start of the Boot Flash section by setting the IVSEL bit in the MCU Control Register (MCUCR). Refer to ["Interrupts" on page 241](#) for more information. The Reset Vector can also be moved to the start of the Boot Flash section by programming the BOOTRST Fuse, see ["Memory Programming" on page 502](#).

When an interrupt occurs, the Global Interrupt Enable I-bit is cleared and all interrupts are disabled. The user software can write logic one to the I-bit to enable nested interrupts. All enabled interrupts can then interrupt the current interrupt routine. The I-bit is automatically set when a Return from Interrupt instruction – RETI – is executed.

There are basically two types of interrupts. The first type is triggered by an event that sets the Interrupt Flag. For these interrupts, the Program Counter is vectored to the actual Interrupt Vector in order to execute the interrupt handling routine, and hardware clears the corresponding Interrupt Flag. Interrupt Flags can also be cleared by writing a logic one to the flag bit position(s) to be cleared. If an interrupt condition occurs while the corresponding interrupt enable bit is cleared, the Interrupt Flag will be set and remembered until the interrupt is enabled, or the flag is cleared by software. Similarly, if one or more interrupt conditions occur while the Global Interrupt Enable bit is cleared, the corresponding Interrupt Flag(s) will be set and remembered until the Global Interrupt Enable bit is set, and will then be executed by order of priority.

The second type of interrupts will trigger as long as the interrupt condition is present. These interrupts do not necessarily have Interrupt Flags. If the interrupt condition disappears before the interrupt is enabled, the interrupt will not be triggered.

When the AVR exits from an interrupt, it will always return to the main program and execute one more instruction before any pending interrupt is served.

Note that the Status Register is not automatically stored when entering an interrupt routine, nor restored when returning from an interrupt routine. This must be handled by software.

When using the CLI instruction to disable interrupts, the interrupts will be immediately disabled. No interrupt will be executed after the CLI instruction, even if it occurs simultaneously with the CLI instruction. The following example shows how this can be used to avoid interrupts during the timed EEPROM write sequence.

#### Assembly Code Example

```

in r16, SREG ; store SREG value
cli ; disable interrupts during timed sequence
sbi EECR, EEMPE ; start EEPROM write
sbi EECR, EEPE
out SREG, r16 ; restore SREG value (I-bit)

```



|  |
|--|
| <b>Assembly Code Example</b>   |
| <b>C Code Example</b>  |
| <pre> char cSREG; cSREG = SREG; /* store SREG value */ /* disable interrupts during timed sequence */ __disable_interrupt(); EECR  = (1&lt;&lt;EEMPE); /* start EEPROM write */ EECR  = (1&lt;&lt;EEPE); SREG = cSREG; /* restore SREG value (I-bit) */ </pre> |

When using the SEI instruction to enable interrupts, the instruction following SEI will be executed before any pending interrupts, as shown in this example.

|   |
|---|
| <b>Assembly Code Example</b>  |
| <pre> sei ; set Global Interrupt Enable sleep; enter sleep, waiting for interrupt ; note: will enter sleep before any pending ; interrupt(s) </pre>                                   |
| <b>C Code Example</b>   |
| <pre> __enable_interrupt(); /* set Global Interrupt Enable */ __sleep(); /* enter sleep, waiting for interrupt */ /* note: will enter sleep before any pending interrupt(s) */ </pre> |

## 7.8.1 Interrupt Response Time

The interrupt execution response for all the enabled AVR interrupts is five clock cycles minimum. After five clock cycles the program vector address for the actual interrupt handling routine is executed. During these five clock cycle period, the Program Counter is pushed onto the Stack. The vector is normally a jump to the interrupt routine, and this jump takes three clock cycles. If an interrupt occurs during execution of a multi-cycle instruction, this instruction is completed before the interrupt is served. If an interrupt occurs when the MCU is in sleep mode, the interrupt execution response time is increased by five clock cycles. This increase comes in addition to the start-up time from the selected sleep mode.

A return from an interrupt handling routine takes five clock cycles. During these five clock cycles, the Program Counter (three bytes) is popped back from the Stack, the Stack Pointer is incremented by three, and the I-bit in SREG is set.

## 8 AVR Memories

This section describes the different memories in the ATmega2564/1284/644RFR2. The AVR architecture has two main memory spaces, the Data Memory and the Program Memory space. In addition, the ATmega2564/1284/644RFR2 features an EEPROM Memory for data storage. All three memory spaces are linear and regular.

### 8.1 In-System Reprogrammable Flash Program Memory

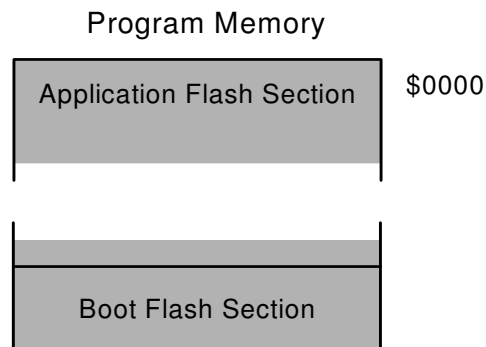
The ATmega2564/1284/644RFR2 contains FLASH\_SIZE Bytes On-chip In-System Reprogrammable Flash memory for program storage, see [Figure 8-6 below](#). Since all AVR instructions are 16 or 32 bits wide, the Flash is 16 bit wide. For software security, the Flash Program memory space is divided into two sections, Boot Program section and Application Program section.

The Flash memory has an endurance of at least 10'000 write/erase cycles. The ATmega2564/1284/644RFR2 Program Counter (PC) is 16 bits wide, thus addressing the required program memory locations. The operation of Boot Program section and associated Boot Lock bits for software protection are described in detail in ["Boot Loader Support – Read-While-Write Self-Programming" on page 485](#). ["Memory Programming" on page 502](#) contains a detailed description on Flash data serial downloading using the SPI pins or the JTAG interface.

Constant tables can be allocated within the entire program memory address space (see the LPM – Load Program Memory instruction description and ELPM – Extended Load Program Memory instruction description).

Timing diagrams for instruction fetch and execution are presented in ["Instruction Execution Timing" on page 15](#).

**Figure 8-6.** Program Flash Memory Map



The application section of the Flash memory contains 3 user signature pages. These pages can be used to store data that should never be modified by an application program e.g. ID numbers, calibration data etc. For details see section ["User Signature Data" on page 505](#).

### 8.2 SRAM Data Memory

[Figure 8-7 on page 19](#) shows how the ATmega2564/1284/644RFR2 SRAM Memory is organized. The ATmega2564/1284/644RFR2 is a complex microcontroller with more peripheral units than can be supported within the 64 location reserved in the Opcode for

the IN and OUT instructions. For the Extended I/O space from \$060 – \$1FF in SRAM, only the ST/STS/STD and LD/LDS/LDD instructions can be used.

The first Data Memory locations address both the Register File, the I/O Memory, Extended I/O Memory, and the internal data SRAM. The first 32 locations address the Register file, the next 64 location the standard I/O Memory, then 416 locations of Extended I/O memory and the following locations address the internal data SRAM.

The five different addressing modes for the data memory cover: Direct, Indirect with Displacement, Indirect, Indirect with Pre-decrement, and Indirect with Post-increment. In the Register file, registers R26 to R31 feature the indirect addressing pointer registers.

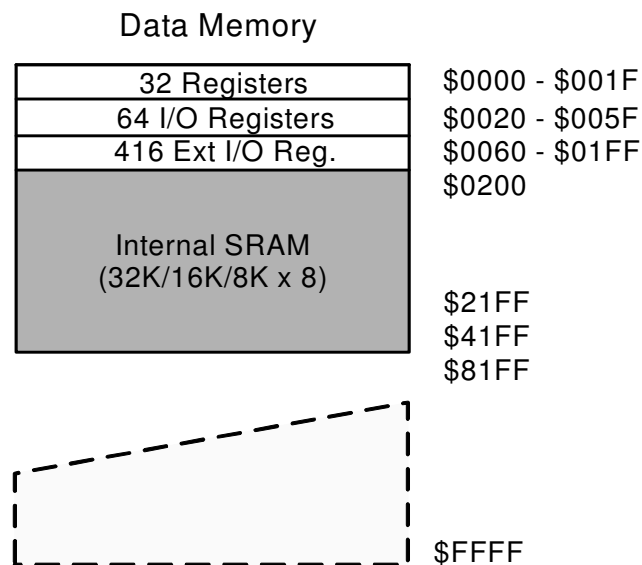
The direct addressing reaches the entire data space.

The Indirect with Displacement mode reaches 63 address locations from the base address given by the Y- or Z-register.

When using register indirect addressing modes with automatic pre-decrement and post-increment, the address registers X, Y, and Z are decremented or incremented.

The 32 general purpose working registers, 64 I/O registers, and the internal data SRAM (SRAM\_SIZE Bytes) in the ATmega2564/1284/644RFR2 are all accessible through all these addressing modes. The Register File is described in ["General Purpose Register File" on page 12](#).

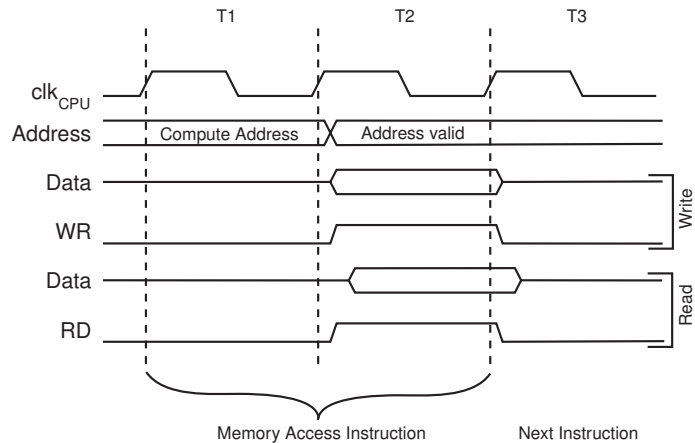
**Figure 8-7.** Data Memory Map



## 8.2.1 Data Memory Access Times

This section describes the general access timing concepts for internal memory access. Access to the internal data SRAM is performed in two  $\text{clk}_{\text{CPU}}$  cycles as described in [Figure 8-8 on page 20](#).

**Figure 8-8. On-Chip Data SRAM Access Cycles**



## 8.3 EEPROM Data Memory

The ATmega2564/1284/644RFR2 contains EEPROM\_SIZE Bytes of data EEPROM memory. It is organized as a separate data space. Read access is byte-wise. The access between the EEPROM and the CPU is described in the following, specifying the EEPROM Address Registers, the EEPROM Data Register, and the EEPROM Control Register.

For a detailed description of SPI, JTAG and Parallel data downloading to the EEPROM, see ["Serial Downloading" on page 519](#), ["Programming via the JTAG Interface" on page 523](#), and ["Programming the EEPROM" on page 533](#) respectively.

### 8.3.1 EEPROM Read Write Access

The EEPROM Access Registers are accessible in the I/O space, see ["EEPROM Register Description" on page 26](#).

The write access time for the EEPROM is given in [Table 8-3 below](#). A self-timing function, however, lets the user software detect when the next byte can be written. If the user code contains instructions that write the EEPROM, some precautions must be taken. In heavily filtered power supplies, DVDD is likely to rise or fall slowly on power-up/down. This causes the device for some period of time to run at a voltage lower than specified as minimum for the clock frequency used. See ["Preventing EEPROM Corruption" on page 26](#) for details on how to avoid problems in these situations.

In order to prevent unintentional EEPROM writes, a specific write procedure must be followed. See the description of the EEPROM Control Register for details on this, ["EEPROM Register Description" on page 26](#).

When the EEPROM is read, the CPU is halted for four clock cycles before the next instruction is executed. When the EEPROM is written, the CPU is halted for two clock cycles before the next instruction is executed.

The calibrated oscillator is used to time the EEPROM accesses. The following table lists the typical programming time for EEPROM access from the CPU.

**Table 8-3. EEPROM Programming Time**

| Symbol                  | Typical Programming time |
|-------------------------|--------------------------|
| EEPROM write (from CPU) | 4.5 ms                   |
| EEPROM erase (from CPU) | 8.5 ms                   |

The subsequent code examples show assembly and C functions for programming the EEPROM with separate and combined (atomic) erase/write operations respectively. The examples assume that interrupts are controlled (e.g. by disabling interrupts globally) so that no interrupts will occur during execution of these functions. The examples also assume that no Flash Boot Loader is present in the software. If such code is present, the EEPROM write function must also wait for any ongoing SPM command to finish.

## Assembly Code Example (Single Byte Programming)

```

EEPROM_write:
    ; Wait for completion of previous erase/write
    sbic EECR,EEPE
    rjmp EEPROM_write
    ; Set up address (r18:r17) in address register
    out EEARH, r18
    out EEARL, r17
    ; Write data (r16) to Data Register
    out EEDR,r16
    ; Write is controlled with r20 and r21
    ldi r20, (1<<EEMPE) + (2<<EEPROM0)
    ldi r21, (1<<EEMPE) + (1<<EEPE) + (2<<EEPROM0)
    ; Start eeprom write
    out EECR, r20
    out EECR, r21
    ret

EEPROM_erase:
    ; Wait for completion of previous erase/write
    sbic EECR,EEPE
    rjmp EEPROM_erase
    ; Set up address (r18:r17) in address register
    out EEARH, r18
    out EEARL, r17
    ; Set EEDR to 0xff
    ser r16
    out EEDR,r16
    ; Erase is controlled with r20 and r21
    ldi r20, (1<<EEMPE) + (1<<EEPROM0)
    ldi r21, (1<<EEMPE) + (1<<EEPE) + (1<<EEPROM0)
    ; Start eeprom erase
    out EECR, r20
    out EECR, r21
    ret

; main program
...
ldi r17, addr_low
ldi r18, addr_high
call EEPROM_erase
ldi r16, ee_data

```

```
call EEPROM_write
```

```
...
```

### C Code Example (Single Byte Programming)

```
void EEPROM_write(unsigned int uiAddress, unsigned char ucData)
{
    /* Wait for completion of previous erase/write */
    while(EECR & (1<<EEPE))
        ;
    /* Set up address */
    EEAR = uiAddress;
    EEDR = 255;
    /* Write logical one to EEMPE and enable erase only*/
    EECR = (1<<EEMPE) + (1<<EEPROM0);
    /* Start eeprom erase by setting EEPE */
    EECR |= (1<<EEPE);
    /* Wait for completion of erase */
    while(EECR & (1<<EEPE))
        ;
    /* Set up Data Registers */
    EEDR = ucData;
    /* Write logical one to EEMPE and enable write only */
    EECR = (1<<EEMPE) + (2<<EEPROM0);
    /* Start eeprom write by setting EEPE */
    EECR |= (1<<EEPE);
}
```

Although the code for separate erase/write operations is more complex it is recommended over the atomic operation. The erase operation can be omitted if the target EEPROM byte already contains the value 255 (e.g. after a chip erase without the EESAVE fuse set).

### Assembly Code Example (Atomic Operation)

```
EEPROM_atomic_write:
    ; Wait for completion of previous write
    sbic EECR,EEPE
    rjmp EEPROM_atomic_write
    ; Set up address (r18:r17) in address register
    out EEARH, r18
    out EEARL, r17
    ; Write data (r16) to Data Register
    out EEDR,r16
    ; Write logical one to EEMPE
    sbi EECR,EEMPE
    ; Start eeprom write by setting EEPE
    sbi EECR,EEPE
    ret
```

## C Code Example (Atomic Operation)

```

void EEPROM_atomic_write(unsigned int uiAddress, unsigned char ucData)
{
    /* Wait for completion of previous write */
    while (EECR & (1<<EEPE))
        ;
    /* Set up address and Data Registers */
    EEAR = uiAddress;
    EEDR = ucData;
    /* Write logical one to EEMPE */
    EECR |= (1<<EEMPE);
    /* Start eeprom write by setting EEPE */
    EECR |= (1<<EEPE);
}

```

The next code examples show assembly and C functions for reading the EEPROM. The examples assume that interrupts are controlled so that no interrupts will occur during execution of these functions.

## Assembly Code Example (EEPROM Read)

```

EEPROM_read:
    ; Wait for completion of previous write
    sbic EECR,EEPE
    rjmp EEPROM_read
    ; Set up address (r18:r17) in address register
    out EEARH, r18
    out EEARL, r17
    ; Start eeprom read by writing EERE
    sbi EECR,EERE
    ; Read data from Data Register
    in r16,EEDR
    ret

```

## C Code Example (EEPROM Read)

```

unsigned char EEPROM_read(unsigned int uiAddress)
{
    /* Wait for completion of previous write */
    while (EECR & (1<<EEPE))
        ;
    /* Set up address register */
    EEAR = uiAddress;
    /* Start eeprom read by writing EERE */
    EECR |= (1<<EERE);
    /* Return data from Data Register */
    return EEDR;
}

```

The programming time can be reduced if an entire 8 byte EEPROM page is programmed instead of single bytes. In this case the data has to be loaded into the page buffer first. The page buffer will auto-erase after a write or erase operation. It is also erased after a system reset. Note that it is not possible to write more than one time to each address without erasing the page buffer. The EEPROM page programming is shown in following example code.

### Assembly Code Example (Page Mode Programming)

```

EEPROM_pageerase:
    sbic EECR,EEPE          ; wait for completion of previous
    rjmp EEPROM_pageerase  ; EEPROM erase/write

    ; Page buffer loading is controlled with r20 and r21
    ldi r20, (3<<EEPROM0) + (1<<EEMPE)
    ldi r21, (3<<EEPROM0) + (1<<EEMPE) + (1<<EEPE)
    ldi r16, 7              ; EEPROM page has 8 bytes, loop 7 bytes
    ser r16
    out EEDR,r16           ; set EEDR to 0xff

er_page_load:
    out EEARL, r17         ; set up address in page buffer
    out EECR, r20
    out EECR, r21

er_load_wait:
    sbic EECR, EEWE       ; wait for load complete
    rjmp er_load_wait
    dec r17               ; decrement address counter
    dec r16               ; decrement loop counter
    brne er_page_load    ; complete loading of 7 bytes

    ; Erase is controlled with r20 and r21, load 8th byte
    ldi r20, (1<<EEMPE) + (1<<EEPROM0)
    ldi r21, (1<<EEMPE) + (1<<EEPE) + (1<<EEPROM0)
    out EEARL, r17        ; set up address, low byte (8th byte)
    out EEARH, r18        ; set up address, high byte
    out EECR, r20         ; start EEPROM page erase
    out EECR, r21
    ret

; main program
...
ldi r17, addr_low
ldi r18, addr_high
call EEPROM_pageerase
...

```

### C Code Example (Page Mode Programming)<sup>(1,2)</sup>

```

void EEPROM_pagewrite(uint16_t uiAddress, uint8_t *ucData)
{
    uint8_t byte_cnt = 0;

```



```

while(EECR & (1<<EEPE)); // wait finish of previous erase/write

EEAR = uiAddress;        // set up address
EEDR = 255;              // data for erase
do {
    EECR = (1<<EEMPE) + (3<<EEMPM0); // enable buffer load only
    EECR |= (1<<EEPE);                // start EEPROM loading
    while(EECR & (1<<EEPE));          // wait for loading complete
    EEARL++;                           // next address
} while( ++byte_cnt<7 );

EECR = (1<<EEMPE) + (1<<EEMPM0); // load last byte, erase only
EECR |= (1<<EEPE);                // start EEPROM erase
while(EECR & (1<<EEPE));          // wait for erase complete

EEAR = uiAddress;                // set up address
byte_cnt = 0;
do {
    EEDR = ucData[byte_cnt];        // load data from SRAM
    EECR = (1<<EEMPE) + (3<<EEMPM0); // enable buffer load only
    EECR |= (1<<EEPE);                // start EEPROM loading
    while(EECR & (1<<EEPE));          // wait for loading complete
    EEARL++;                           // next address
} while( ++byte_cnt<7 );
EEDR = ucData[byte_cnt];          // set up last data byte
EECR = (1<<EEMPE) + (2<<EEMPM0); // load last byte, write only
EECR |= (1<<EEPE);                // start EEPROM write
}

int main(void)
{
    uint8_t buffer[8];

    // load buffer
    ...
    EEPROM_pagewrite(0x000, &buffer[0] ); // write EEPROM page 0
    ...
}

```

- Notes:
1. The example code assumes that the part specific header file is included.
  2. See section ["About Code Examples" on page 8](#).

The EEPROM page buffer can be loaded in arbitrary order. The data in the page buffer can also be overwritten. Loading the last byte and executing the EEPROM programming is one command. This programming command can be an erase, a write or a combined atomic erase/write operation just like for single byte programming mode.

### 8.3.2 Preventing EEPROM Corruption

During periods of low DEVDD, the EEPROM data can be corrupted because the supply voltage is too low for the CPU and the EEPROM to operate properly. These issues are the same as for board level systems using EEPROM, and the same design solutions should be applied.

An EEPROM data corruption can be caused by two situations when the voltage is too low. First, a regular write sequence to the EEPROM requires a minimum voltage to operate correctly. Secondly, the CPU itself can execute instructions incorrectly, if the supply voltage is too low.

EEPROM data corruption can easily be avoided by following this design recommendation:

Keep the AVR RESET active (low) during periods of insufficient power supply voltage. This can be done by enabling the internal Brown-out Detector (BOD). If the detection level of the internal BOD does not match the needed detection level, an external low DEVDD reset protection circuit can be used. If a reset occurs while a write operation is in progress, the write operation will be completed provided that the power supply voltage is sufficient.

## 8.4 EEPROM Register Description

### 8.4.1 EEARH – EEPROM Address Register High Byte

| Bit           | 7           | 6           | 5           | 4           | 3             | 2             | 1            | 0            |              |
|---------------|-------------|-------------|-------------|-------------|---------------|---------------|--------------|--------------|--------------|
| \$22 (\$42)   | <b>Res3</b> | <b>Res2</b> | <b>Res1</b> | <b>Res0</b> | <b>EEAR11</b> | <b>EEAR10</b> | <b>EEAR9</b> | <b>EEAR8</b> | <b>EEARH</b> |
| Read/Write    | R           | R           | R           | R           | RW            | RW            | RW           | RW           |              |
| Initial Value | 0           | 0           | 0           | 0           | X             | X             | X            | X            |              |

The EEPROM Address Registers EEARH and EEARL specify the EEPROM address in the 4K bytes EEPROM space. The EEPROM data bytes are addressed linearly between 0 and 4096. The initial value of EEAR is undefined. A proper value must be written before the EEPROM may be accessed.

- **Bit 7:4 – Res3:0 - Reserved**
- **Bit 3:0 – EEAR11:8 - EEPROM Address**

### 8.4.2 EEARL – EEPROM Address Register Low Byte

| Bit           | 7            | 6            | 5            | 4            | 3            | 2            | 1            | 0            |              |
|---------------|--------------|--------------|--------------|--------------|--------------|--------------|--------------|--------------|--------------|
| \$21 (\$41)   | <b>EEAR7</b> | <b>EEAR6</b> | <b>EEAR5</b> | <b>EEAR4</b> | <b>EEAR3</b> | <b>EEAR2</b> | <b>EEAR1</b> | <b>EEAR0</b> | <b>EEARL</b> |
| Read/Write    | RW           | RW           | RW           | RW           | RW           | RW           | RW           | RW           |              |
| Initial Value | X            | X            | X            | X            | X            | X            | X            | X            |              |

The EEPROM Address Registers EEARH and EEARL specify the EEPROM address in the 4K bytes EEPROM space. The EEPROM data bytes are addressed linearly between 0 and 4096. The initial value of EEAR is undefined. A proper value must be written before the EEPROM may be accessed.

- **Bit 7:0 – EEAR7:0 - EEPROM Address**

## 8.4.3 EEDR – EEPROM Data Register

|               |                |    |    |    |    |    |    |    |             |
|---------------|----------------|----|----|----|----|----|----|----|-------------|
| Bit           | 7              | 6  | 5  | 4  | 3  | 2  | 1  | 0  |             |
| \$20 (\$40)   | <b>EEDR7:0</b> |    |    |    |    |    |    |    | <b>EEDR</b> |
| Read/Write    | RW             | RW | RW | RW | RW | RW | RW | RW |             |
| Initial Value | 0              | 0  | 0  | 0  | 0  | 0  | 0  | 0  |             |

For the EEPROM write operation, the EEDR Register contains the data to be written to the EEPROM in the address given by the EEAR Register. For the EEPROM read operation, the EEDR contains the data read out from the EEPROM at the address given by EEAR.

- **Bit 7:0 – EEDR7:0 - EEPROM Data**

## 8.4.4 EECR – EEPROM Control Register

|               |             |             |              |              |              |              |             |             |             |
|---------------|-------------|-------------|--------------|--------------|--------------|--------------|-------------|-------------|-------------|
| Bit           | 7           | 6           | 5            | 4            | 3            | 2            | 1           | 0           |             |
| \$1F (\$3F)   | <b>Res1</b> | <b>Res0</b> | <b>EEPM1</b> | <b>EEPM0</b> | <b>EERIE</b> | <b>EEMPE</b> | <b>EEPE</b> | <b>EEER</b> | <b>EECR</b> |
| Read/Write    | R           | R           | RW           | RW           | RW           | RW           | RW          | RW          |             |
| Initial Value | 0           | 0           | X            | X            | 0            | 0            | X           | 0           |             |

- **Bit 7:6 – Res1:0 - Reserved**
- **Bit 5:4 – EEPM1:0 - EEPROM Programming Mode**

The EEPROM Programming mode bit setting defines if a page buffer load or a programming action will be triggered when writing EEPE. It is possible to program data in one atomic operation (erase the old value and program the new value) or to split the Erase and Write operations in two different operations. While EEPE is set, any write to EEPM1:0 will be ignored. During reset, the EEPM1:0 bits will be reset to 0 unless the EEPROM is busy programming.

**Table 8-4** EEPM Register Bits

| Register Bits | Value | Description   |
|---------------|-------|---|
| EEPM1:0       | 0x00  | Erase and Write in one operation (Atomic Operation) |
|               | 0x01  | Erase only  |
|               | 0x02  | Write only  |
|               | 0x03  | Page buffer load                                    |

- **Bit 3 – EERIE - EEPROM Ready Interrupt Enable**

Writing EERIE to one enables the EEPROM Ready Interrupt if the I bit in SREG is set. Writing EERIE to zero disables the interrupt. The EEPROM Ready interrupt generates a constant interrupt when EEPE is cleared.

- **Bit 2 – EEMPE - EEPROM Master Write Enable**

The EEMPE bit determines whether setting EEPE to one causes the EEPROM to be written or the page buffer to be loaded. When EEMPE is set, setting EEPE within four clock cycles will either start programming the EEPROM or load data to the EEPROM page buffer at the selected address. If EEMPE is zero, setting EEPE will have no effect. When EEMPE has been written to one by software, hardware clears the bit to zero after four clock cycles. See the description of the EEPE bit for an EEPROM write procedure.

- **Bit 1 – EEPE - EEPROM Programming Enable**

The EEPROM Programming Enable Signal EEPE is the write strobe to the EEPROM. It triggers either the programming or the page buffer loading. When address and data are correctly set up, the EEPE bit must be written to one to write the value into the EEPROM. The EEMPE bit must be written to one before a logical one is written to EEPE, otherwise no EEPROM write or load takes place. The following procedure should be adopted when writing or loading the EEPROM (the order of steps 3 and 4 is not essential):

1. Wait until EEPE becomes zero.
2. Wait until SPEN in SPMCSR becomes zero.
3. Write new EEPROM address to EEAR (optional).
4. Write new EEPROM data to EEDR (optional).
5. Write a logical one to the EEMPE bit while writing a zero to EEPE in EECR.
6. Within four clock cycles after setting EEMPE, write a logical one to EEPE.

The EEPROM can not be programmed and the page buffer not be loaded during a CPU write to the Flash memory. The software must check that the Flash programming is completed before initiating a new EEPROM write. Step 2 is only relevant if the software contains a Boot Loader allowing the CPU to program the Flash. If the Flash is never being updated by the CPU, step 2 can be omitted.

Caution: an interrupt between step 5 and step 6 will make the write cycle fail, since the EEPROM Master Write Enable will time-out. If an interrupt routine accessing the EEPROM is interrupting another EEPROM access, the EEAR or EEDR Register will be modified, causing the interrupted EEPROM access to fail. It is recommended to have the Global Interrupt Flag cleared during all steps to avoid these problems.

When the write access time has elapsed, the EEPE bit is cleared by hardware. The user software can poll this bit and wait for a zero before writing the next byte. When EEPE has been set, the CPU is halted for two cycles before the next instruction is executed.

- **Bit 0 – EERE - EEPROM Read Enable**

The EEPROM Read Enable Signal EERE is the read strobe to the EEPROM. When the correct address is set up in the EEAR Register, the EERE bit must be written to a logic one to trigger the EEPROM read. The EEPROM read access takes one instruction and the requested data is available immediately. When the EEPROM is read, the CPU is halted for four cycles before the next instruction is executed. The user should poll the EEPE bit before starting the read operation. If a write operation is in progress, it is neither possible to read the EEPROM nor to change the EEAR Register.

## 8.5 I/O Memory

The Input/Output (I/O) space definition of the ATmega2564/1284/644RFR2 is shown in ["Register Summary" on page 540](#).

All ATmega2564/1284/644RFR2 I/Os and peripherals are placed in the I/O space. All I/O locations may be accessed by the LD/LDS/LDD and ST/STS/STD instructions, transferring data between the 32 general purpose working registers and the I/O space. I/O Registers within the address range 0x00 – 0x1F are directly bit-accessible using the SBI and CBI instructions. In these registers, the value of single bits can be checked by using the SBIS and SBIC instructions. Refer to the AVR instruction set for more details. When using the I/O specific commands IN and OUT, the I/O addresses 0x00 – 0x3F

must be used. When addressing I/O Registers as data space using LD and ST instructions, 0x20 must be added to these addresses. The ATmega2564/1284/644RFR2 is a complex microcontroller with more peripheral units than can be supported within the 64 location reserved in Opcode for the IN and OUT instructions. For the Extended I/O space from 0x60 – 0x1FF in SRAM, only the ST/STS/STD and LD/LDS/LDD instructions can be used.

For compatibility with future devices, reserved bits may not be modified. Reserved registers and I/O memory addresses should never be written.

Some of the Status Flags are cleared by writing a logical one to them. Note that, unlike most other AVRs, the CBI and SBI instructions will only operate on the specified bit, and can therefore be used on registers containing such Status Flags. The CBI and SBI instructions work with registers 0x00 to 0x1F only.

The control registers of I/O and peripherals are explained in later sections.

## 8.6 General Purpose I/O Registers

The ATmega2564/1284/644RFR2 contains three General Purpose I/O Registers. These registers can be used for storing any information, and they are particularly useful for storing global variables and Status Flags. General Purpose I/O Registers within the address range 0x00 – 0x1F are directly bit-accessible using the SBI, CBI, SBIS, and SBIC instructions.

### 8.6.1 GPIOR0 – General Purpose IO Register 0

|               |                   |    |    |    |    |    |    |    |               |
|---------------|-------------------|----|----|----|----|----|----|----|---------------|
| Bit           | 7                 | 6  | 5  | 4  | 3  | 2  | 1  | 0  |               |
| \$1E (\$3E)   | <b>GPIOR07:00</b> |    |    |    |    |    |    |    | <b>GPIOR0</b> |
| Read/Write    | RW                | RW | RW | RW | RW | RW | RW | RW |               |
| Initial Value | 0                 | 0  | 0  | 0  | 0  | 0  | 0  | 0  |               |

The three General Purpose I/O Registers can be used for storing any information.

- **Bit 7:0 – GPIOR07:00 - General Purpose I/O Register 0 Value**

### 8.6.2 GPIOR1 – General Purpose IO Register 1

|               |                   |    |    |    |    |    |    |    |               |
|---------------|-------------------|----|----|----|----|----|----|----|---------------|
| Bit           | 7                 | 6  | 5  | 4  | 3  | 2  | 1  | 0  |               |
| \$2A (\$4A)   | <b>GPIOR17:10</b> |    |    |    |    |    |    |    | <b>GPIOR1</b> |
| Read/Write    | RW                | RW | RW | RW | RW | RW | RW | RW |               |
| Initial Value | 0                 | 0  | 0  | 0  | 0  | 0  | 0  | 0  |               |

The three General Purpose I/O Registers can be used for storing any information.

- **Bit 7:0 – GPIOR17:10 - General Purpose I/O Register 1 Value**

### 8.6.3 GPIOR2 – General Purpose I/O Register 2

|               |                   |    |    |    |    |    |    |    |               |
|---------------|-------------------|----|----|----|----|----|----|----|---------------|
| Bit           | 7                 | 6  | 5  | 4  | 3  | 2  | 1  | 0  |               |
| \$2B (\$4B)   | <b>GPIOR27:20</b> |    |    |    |    |    |    |    | <b>GPIOR2</b> |
| Read/Write    | RW                | RW | RW | RW | RW | RW | RW | RW |               |
| Initial Value | 0                 | 0  | 0  | 0  | 0  | 0  | 0  | 0  |               |

The three General Purpose I/O Registers can be used for storing any information.

- **Bit 7:0 – GPIOR27:20 - General Purpose I/O Register 2 Value**

## 8.7 Other Port Registers

The inherited control registers of missing ports located in the I/O space are kept in the ATmega2564/1284/644RFR2. They can be used as general purpose I/O registers for storing any information. Registers placed in the address range 0x00 – 0x1F are directly bit-accessible using the SBI, CBI, SBIS and SBIC instructions.

### 8.7.1 PORTA – Port A Data Register

|               |                 |    |    |    |    |    |    |    |              |
|---------------|-----------------|----|----|----|----|----|----|----|--------------|
| Bit           | 7               | 6  | 5  | 4  | 3  | 2  | 1  | 0  |              |
| \$02 (\$22)   | <b>PORTA7:0</b> |    |    |    |    |    |    |    | <b>PORTA</b> |
| Read/Write    | RW              | RW | RW | RW | RW | RW | RW | RW |              |
| Initial Value | 0               | 0  | 0  | 0  | 0  | 0  | 0  | 0  |              |

The PORTA register can be used as a General Purpose I/O Register for storing any information.

- **Bit 7:0 – PORTA7:0 - Port A Data Register Value**

### 8.7.2 DDRA – Port A Data Direction Register

|               |             |             |             |             |             |             |             |             |             |
|---------------|-------------|-------------|-------------|-------------|-------------|-------------|-------------|-------------|-------------|
| Bit           | 7           | 6           | 5           | 4           | 3           | 2           | 1           | 0           |             |
| \$01 (\$21)   | <b>DDA7</b> | <b>DDA6</b> | <b>DDA5</b> | <b>DDA4</b> | <b>DDA3</b> | <b>DDA2</b> | <b>DDA1</b> | <b>DDA0</b> | <b>DDRA</b> |
| Read/Write    | RW          | RW          | RW          | RW          | RW          | RW          | RW          | RW          |             |
| Initial Value | 0           | 0           | 0           | 0           | 0           | 0           | 0           | 0           |             |

The DDRA register can be used as a General Purpose I/O Register for storing any information.

- **Bit 7:0 – DDA7:0 - Port A Data Direction Register Value**

### 8.7.3 PINA – Port A Input Pins Address

|               |                |    |    |    |    |    |    |    |             |
|---------------|----------------|----|----|----|----|----|----|----|-------------|
| Bit           | 7              | 6  | 5  | 4  | 3  | 2  | 1  | 0  |             |
| \$00 (\$20)   | <b>PINA7:0</b> |    |    |    |    |    |    |    | <b>PINA</b> |
| Read/Write    | RW             | RW | RW | RW | RW | RW | RW | RW |             |
| Initial Value | 0              | 0  | 0  | 0  | 0  | 0  | 0  | 0  |             |

The PINA register is reserved for internal use and cannot be used as a General Purpose I/O Register.

- **Bit 7:0 – PINA7:0 - Port A Input Pins**

## 8.7.4 PORTC – Port C Data Register

|               |                 |    |    |    |    |    |    |    |              |
|---------------|-----------------|----|----|----|----|----|----|----|--------------|
| Bit           | 7               | 6  | 5  | 4  | 3  | 2  | 1  | 0  |              |
| \$08 (\$28)   | <b>PORTC7:0</b> |    |    |    |    |    |    |    | <b>PORTC</b> |
| Read/Write    | RW              | RW | RW | RW | RW | RW | RW | RW |              |
| Initial Value | 0               | 0  | 0  | 0  | 0  | 0  | 0  | 0  |              |

The PORTC register can be used as a General Purpose I/O Register for storing any information.

- **Bit 7:0 – PORTC7:0 - Port C Data Register Value**

## 8.7.5 DDRC – Port C Data Direction Register

|               |             |             |             |             |             |             |             |             |             |
|---------------|-------------|-------------|-------------|-------------|-------------|-------------|-------------|-------------|-------------|
| Bit           | 7           | 6           | 5           | 4           | 3           | 2           | 1           | 0           |             |
| \$07 (\$27)   | <b>DDC7</b> | <b>DDC6</b> | <b>DDC5</b> | <b>DDC4</b> | <b>DDC3</b> | <b>DDC2</b> | <b>DDC1</b> | <b>DDC0</b> | <b>DDRC</b> |
| Read/Write    | RW          | RW          | RW          | RW          | RW          | RW          | RW          | RW          |             |
| Initial Value | 0           | 0           | 0           | 0           | 0           | 0           | 0           | 0           |             |

The DDRC register can be used as a General Purpose I/O Register for storing any information.

- **Bit 7:0 – DDC7:0 - Port C Data Direction Register Value**

## 8.7.6 PINC – Port C Input Pins Address

|               |                |   |   |   |   |   |   |   |             |
|---------------|----------------|---|---|---|---|---|---|---|-------------|
| Bit           | 7              | 6 | 5 | 4 | 3 | 2 | 1 | 0 |             |
| \$06 (\$26)   | <b>PINC7:0</b> |   |   |   |   |   |   |   | <b>PINC</b> |
| Read/Write    | R              | R | R | R | R | R | R | R |             |
| Initial Value | 0              | 0 | 0 | 0 | 0 | 0 | 0 | 0 |             |

The PINC register is reserved for internal use and cannot be used as a General Purpose I/O Register.

- **Bit 7:0 – PINC7:0 - Port C Input Pins**

## 9 Low-Power 2.4 GHz Transceiver

### 9.1 Features

- High performance RF-CMOS 2.4 GHz radio transceiver targeted for IEEE 802.15.4™, ZigBee™, IPv6 / 6LoWPAN, RF4CE, SP100, WirelessHART™ and ISM applications
- Outstanding link budget (103.5 dB):
  - Receiver sensitivity -100 dBm
  - Programmable output power from -17 dBm up to +3.5 dBm
- Ultra-low current consumption:
  - TRX\_OFF = 0.4 mA
  - RX\_ON = 12.5 mA
  - BUSY\_TX = 14.5 mA (at max. transmit power of +3.5 dBm)
- Optimized for low BoM cost and ease of production:
  - Few external components necessary (crystal, capacitors and antenna)
  - Excellent ESD robustness
- Easy to use interface:
  - Registers and frame buffer access from software
  - Dedicated radio transceiver interrupts
- Radio transceiver features:
  - 128 byte FIFO (SRAM) for data buffering
  - Integrated RX/TX switch
  - Fully integrated, fast settling PLL to support frequency hopping
  - Battery monitor
  - Fast wake-up time < 0.25 ms
- Special IEEE 802.15.4 2006 hardware support:
  - FCS computation and clear channel assessment (CCA)
  - RSSI measurement, energy detection and link quality indication
- MAC hardware accelerator:
  - Automated acknowledgement, CSMA-CA and frame retransmission
  - Automatic address filtering
  - Automated FCS check
- Extended Feature Set Hardware Support:
  - AES 128 bit hardware accelerator
  - RX/TX indication (external RF front-end control)
  - RX antenna diversity
  - Supported PSDU data rates: 250 kb/s, 500 kb/s, 1 Mb/s and 2 Mb/s
  - True random number generation for security applications
- Compliant to IEEE 802.15.4-2006, IEEE 802.15.4-2003 and RF4CE
- Compliant to EN 300 328/440, FCC-CFR-47 Part 15, ARIB STD-66, RSS-210



The ATmega2564/1284/644RFR2 features a low-power 2.4 GHz radio transceiver designed for industrial and consumer ZigBee/IEEE 802.15.4, 6LoWPAN, RF4CE and high data rate 2.4 GHz ISM band applications. The radio transceiver is a true peripheral block of the AVR microcontroller. All RF-critical components except the antenna, crystal and de-coupling capacitors are integrated on-chip. Therefore, the ATmega2564/1284/644RFR2 is particularly suitable for applications like:

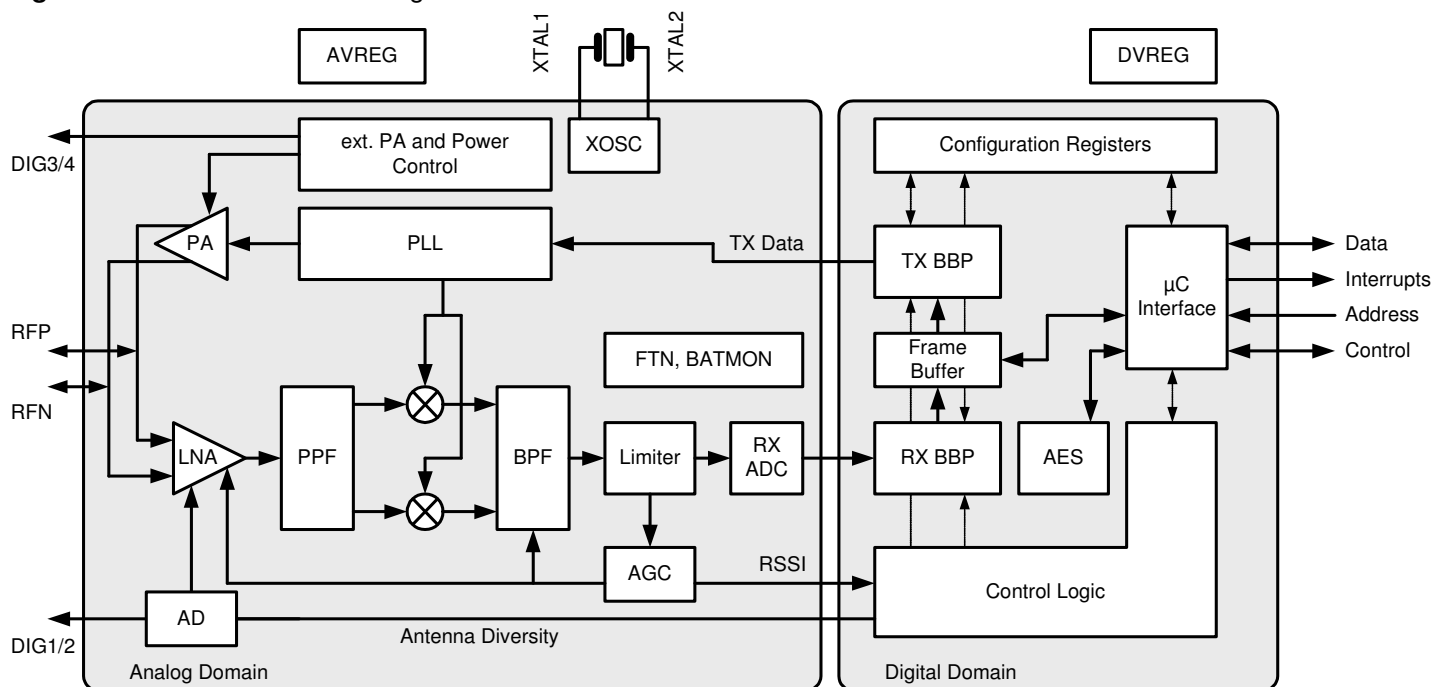
- 2.4 GHz IEEE 802.15.4 and ZigBee systems
- 6LoWPAN and RF4CE systems
- Wireless sensor networks
- Industrial control, sensing and automation (SP100, WirelessHART)
- Residential and commercial automation
- Health care
- Consumer electronics
- PC peripherals

## 9.2 General Circuit Description

This radio transceiver is part of a system-on-chip solution with an AVR<sup>®</sup> microcontroller. It comprises a complex peripheral component containing the analog radio, digital modulation and demodulation including time and frequency synchronization and data buffering. The number of external components for the transceiver operation is minimized such that only the antenna, the crystal and decoupling capacitors are required. The bidirectional differential antenna pins (RFP, RFN) are used for transmission and reception, thus no external antenna switch is needed.

The transceiver block diagram of the ATmega2564/1284/644RFR2 is shown in [Figure 9-9](#) below.

**Figure 9-9.** Transceiver Block Diagram



The received RF signal at pins RFN and RFP is differentially fed through the low-noise amplifier (LNA) to the RF filter (PPF) to generate a complex signal, driving the integrated channel filter (BPF). The limiting amplifier provides sufficient gain to drive the succeeding analog-to-digital converter (RX ADC) and generates a digital RSSI signal. The RX ADC output signal is sampled by the digital base band receiver (RX BBP).

The transmit modulation scheme is offset-QPSK (O-QPSK) with half-sine pulse shaping and 32-length block coding (spreading) according to [\[1\] on page 110](#) and [\[2\] on page 110](#). The modulation signal is generated in the digital transmitter (TX BBP) and applied to the fractional-N frequency synthesis (PLL), to ensure the coherent phase modulation required for demodulation of O-QPSK signals. The frequency-modulated signal is fed to the power amplifier (PA).

A differential pin pair DIG3/DIG4 can be enabled to control an external RF front-end.

The two on-chip low-dropout voltage regulators (A|DVREG) provide the analog and digital 1.8V supply.

An internal 128-byte RAM for RX and TX (Frame Buffer) buffers the data to be transmitted or received.

The configuration of the reading and writing of the Frame Buffer is controlled via the microcontroller interface.

The transceiver further contains comprehensive hardware-MAC support (Extended Operating Mode) and a security engine (AES) to improve the overall system power efficiency and timing. The 128-bit AES engine can be accessed in parallel to all PHY operational transactions and states using the microcontroller interface, except during transceiver power down state.

For applications not necessarily targeting IEEE 802.15.4 compliant networks, the radio transceiver also supports alternative data rates up to 2 Mb/s.

For long-range applications or to improve the reliability of an RF connection the RF performance can further be improved by using an external RF front-end or Antenna Diversity. Both operation modes are supported by the radio transceiver with dedicated control pins without the interaction of the microcontroller.

Additional features of the Extended Feature Set, see section ["Radio Transceiver Extended Feature Set" on page 92](#), are provided to simplify the interaction between radio transceiver and microcontroller.

## 9.3 Transceiver to Microcontroller Interface

This section describes the internal Interface between the transceiver module and the microcontroller. Unlike all other AVR I/O modules, the transceiver module can operate asynchronously to the controller. The transceiver requires an accurate 16MHz crystal clock for operation, but the controller can run at any frequency within its operating limits.

Note that the on-chip debug system (see section ["Using the On-chip Debug System" on page 473](#)) must be disabled for the best RF performance of the radio transceiver.

### 9.3.1 Transceiver Configuration and Data Access

#### 9.3.1.1 Register Access

All transceiver registers are mapped into I/O space of the controller. Due to the asynchronous interface a register access can take up to three transceiver clock cycles. Depending on the controller clock speed, program execution wait cycles are generated.

That means if the controller runs with about 16MHz or faster, at least three wait cycles are generated, but if the controller runs with about 4MHz, no wait cycles are inserted. A register access is only possible, if the transceiver clock is available. Otherwise it returns 0x00 regardless of the current register content. Therefore the transceiver must be enabled (PRR1 Register) and not in SLEEP state.

### 9.3.1.2 Frame Buffer Access

The 128-byte Frame Buffer can hold the PHY service data unit (PSDU) data of one IEEE 802.15.4 compliant RX or one TX frame of maximum length at a time. A detailed description of the Frame Buffer can be found in section ["Frame Buffer" on page 83](#). An introduction to the IEEE 802.15.4 frame format can be found in section ["Introduction – IEEE 802.15.4-2006 Frame Format" on page 67](#).

The Frame Buffer is located within the controller I/O address space above of the transceiver register set. The first byte of the Frame Buffer can be accessed with the symbolical address TRXFBST and the last byte can be accessed with the symbolical address TRXFBEND. Random access to single frame bytes is possible with "TRXFBST + byte index" or "TRXFBEND – byte index". In contrast to the transceiver register access, the Frame Buffer allows single cycle read/write operations for all controller clock speeds.

The content of the Frame Buffer is only overwritten by a new received frame or a Frame Buffer write access.

The Frame Buffer usage is different between received and transmitted frames. Therefore it is not possible to retransmit a received frame without modifying the frame buffer.

On received frames, the frame length byte is not stored in the Frame Buffer, but can be accessed over the TST\_RX\_LENGTH register. During frame receive, the Link Quality Indication (LQI) value (refer to ["Link Quality Indication \(LQI\)" on page 78](#)) is appended to the frame data in the Frame Buffer.

For frame transmission, the first byte of the Frame Buffer must contain the frame length information followed by the frame data. The TST\_RX\_LENGTH register does not need to be written in this case.

A detailed description of the Frame Buffer usage for receive and transmit frames can be found in [Figure 9-32 on page 84](#).

Notes:

1. The Frame Buffer is shared between RX and TX; therefore, the frame data are overwritten by new incoming frames. If the TX frame data are to be retransmitted, it must be ensured that no frame was received in the meanwhile.
2. To avoid overwriting during receive, Dynamic Frame Buffer Protection can be enabled. For details about this feature refer to section ["Dynamic Frame Buffer Protection" on page 99](#).
3. It is not possible to retransmit received frames without inserting the frame length information at the beginning of the Frame Buffer. That requires a complete read out of the received frame and rewriting the modified frame to the Frame Buffer.
4. For exceptions, e.g. receiving acknowledgement frames in Extended Operating Mode (TX\_ARET) refer to section ["TX\\_ARET\\_ON – Transmit with Automatic Retry and CSMA-CA Retry" on page 63](#).

### 9.3.1.3 Transceiver Pin Register TRXPR

The Transceiver Pin Register TRXPR is located in the Controller clock domain and is accessible even if the transceiver is in sleep state. This register provides access to the

pin functionality, known from the Atmel standalone transceiver devices (two chip solution).

The register (TRXRST) can be used to reset the transceiver without resetting the controller. After the reset bit was set, it is cleared immediately.

A second configuration bit (SLPTR) is used to control frame transmission or sleep and wakeup of the transceiver. This bit is not cleared automatically.

The function of the SLPTR bit relates to the current state of the transceiver module and is summarized in [Table 9-1 below](#). The radio transceiver states are explained in detail in section ["Operating Modes" on page 38](#).

**Table 9-1.** SLPTR Multi-functional Configuration bit

| Transceiver Status | Function | SLPTR Bit | Description  |
|--------------------|----------|-----------|--|
| PLL_ON             | TX start | "0" ⇒ "1" | Starts frame transmission                            |
| TX_ARET_ON         | TX start | "0" ⇒ "1" | Starts TX_ARET transaction                           |
| TRX_OFF            | Sleep    | "0" ⇒ "1" | Takes the radio transceiver into SLEEP state         |
| SLEEP              | Wakeup   | "1" ⇒ "0" | Takes the radio transceiver back into TRX_OFF state; |

In states PLL\_ON and TX\_ARET\_ON, bit SLPTR is used to initiate a TX transaction. Here bit SLPTR is sensitive on the transition from "0" to "1" only. The bit should be cleared before the frame transmission is finished.

After initiating a state change by a "0" to "1" transition at bit SLPTR in radio transceiver states TRX\_OFF, RX\_ON or RX\_AACK\_ON, the radio transceiver remains in the new state as long as the bit is logical "1" and returns to the preceding state if the bit is set to "0".

#### **SLEEP state**

The SLEEP state is used when radio transceiver functionality is not required, and thus the receiver module can be powered down to reduce the overall power consumption.

When the radio transceiver is in TRX\_OFF state the microcontroller forces the transceiver to SLEEP by setting SLPTR = "1". The transceiver awakes when the microcontroller releases bit SLPTR.

## **9.3.2 Interrupt Logic**

### *9.3.2.1 Overview*

The transceiver module differentiates between eight interrupt events. Internally all pending interrupts are stored in a separate bit of the interrupt status register (IRQ\_STATUS). Each interrupt is enabled by setting the corresponding bit in the interrupt mask register (IRQ\_MASK). If an IRQ is enabled an interrupt service routine must be defined to handle the IRQ. A pending IRQ is cleared automatically if an Interrupt service routine is called. It is also possible to handle IRQs manually by polling the IRQ\_STATUS register. If an IRQ occurred, the appropriate IRQ\_STATUS register bit is set. The IRQ can be cleared by writing '1' to the register bit. It is recommended to clear the corresponding status bit before enabling an interrupt.

More information about interrupt handling by the controller can be found in section ["Interrupts" on page 241](#).

The supported interrupts for the Basic Operating Mode are summarized in [Table 9-2 on page 37](#).

**Table 9-2.** Interrupt Description in Basic Operating Mode

| IRQ Vector Number/<br>Priority <sup>(1)</sup> | IRQ Name          | Description  | Section                               |
|---|-------------------|--|---------------------------------------|
| 64  | TRX24_AWAKE       | Indicates radio transceiver reached TRX_OFF state RESET, or SLEEP states   | "TRX_OFF – Clock State" on page 40    |
| 63  | TRX24_TX_END      | Indicates the completion of a frame transmission   | "Frame Transmit Procedure" on page 91 |
| 62  | TRX24_XAH_AMI     | Indicates address matching   | "Frame Filtering" on page 58          |
| 61  | TRX24_CCA_ED_DONE | Indicates the end of a CCA or ED measurement   | "Energy Detection (ED)" on page 74    |
| 60  | TRX24_RX_END      | Indicates the completion of a frame reception  | "Frame Transmit Procedure" on page 91 |
| 59  | TRX24_RX_START    | Indicates the start of a PSDU reception. The TRX_STATE changes to BUSY_RX, the PHR is ready to be read from Frame Buffer   | "Frame Receive Procedure" on page 90  |
| 58  | TRX24_PLL_UNLOCK  | Indicates PLL unlock. If the radio transceiver is in BUSY_TX / BUSY_TX_ARET state, the PA is turned off immediately, END interrupts will not happen (see <a href="#">Interrupt Handling on page 89</a> ) | "Interrupt Handling" on page 89       |
| 57  | TRX24_PLL_LOCK    | Indicates PLL lock   | "Interrupt Handling" on page 89       |

Note: 1. The lowest IRQ Number has the highest priority.

During startup from SLEEP or RESET, the radio transceiver issues an TRX24\_AWAKE interrupt when it enters state TRX\_OFF.

If the microcontroller initiates an energy-detect (ED) or clear-channel-assessment (CCA) measurement, the completion of the measurement is indicated by interrupt TRX24\_CCA\_ED\_DONE, refer to sections ["Energy Detection \(ED\)" on page 74](#) and ["Clear Channel Assessment \(CCA\)" on page 76](#) for details.

After RESET all interrupts are disabled. During radio transceiver initialization it is recommended to enable AWAKE to be notified once the TRX\_OFF state is entered. Note that the TRX24\_AWAKE interrupt can usually not be seen when the transceiver enters TRX\_OFF state after RESET, because register IRQ\_MASK is reset to mask all interrupts. In this case, state TRX\_OFF is normally entered before the microcontroller could modify the register.

The interrupt handling in Extended Operating Mode is described in section ["Interrupt Handling" on page 65](#).

### 9.3.3 Radio Transceiver Identification

The ATmega2564/1284/644RFR2 Transceiver module can be identified by four registers (PART\_NUM, VERSION\_NUM, MAN\_ID\_0, MAN\_ID\_1). One register contains a unique part number and one register the corresponding version number. Two additional registers contain the JTAG manufacture ID. The transceiver identification registers are provided for compatibility to the transceiver only device.

A unique device identification is also possible with the three AVR signature bytes. For details about accessing this information refer to ["Signature Bytes" on page 505](#).

## 9.3.4 TX Start Interrupt

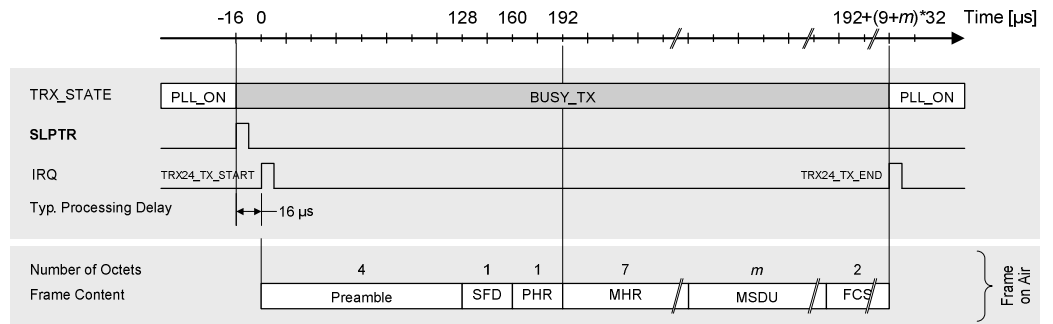
When the TRX24 starts a frame transmission a TRX24\_TX\_START interrupt is issued when the preamble starts.

**Table 9-3.** Interrupt Description for TX\_START interrupt

| IRQ Vector Number/<br>Priority | IRQ Name       | Description                                     | enable                                 |
|--------------------------------|----------------|---|--|
| 72                             | TRX24_TX_START | Indicates the start of a preamble transmission. | set bit TX_START in register IRQ_MASK1 |

When enabled, the TX\_START interrupt is issued in both basic operating modes and extended operating modes. Thus it also indicates the frame start of a transmitted acknowledge frame in procedure RX\_AACK. In procedure TX\_ARET the TRX24\_TX\_START interrupt is issued separately for every frame transmission and frame retransmission.

**Figure 9-2.** Interrupt timing in with TRX24\_TX\_START interrupt



The figure above shows the timing of TRX24\_TX\_START interrupt in basic operation mode. For a description of other relevant interrupt timings see [Interrupt Handling on page 42](#).

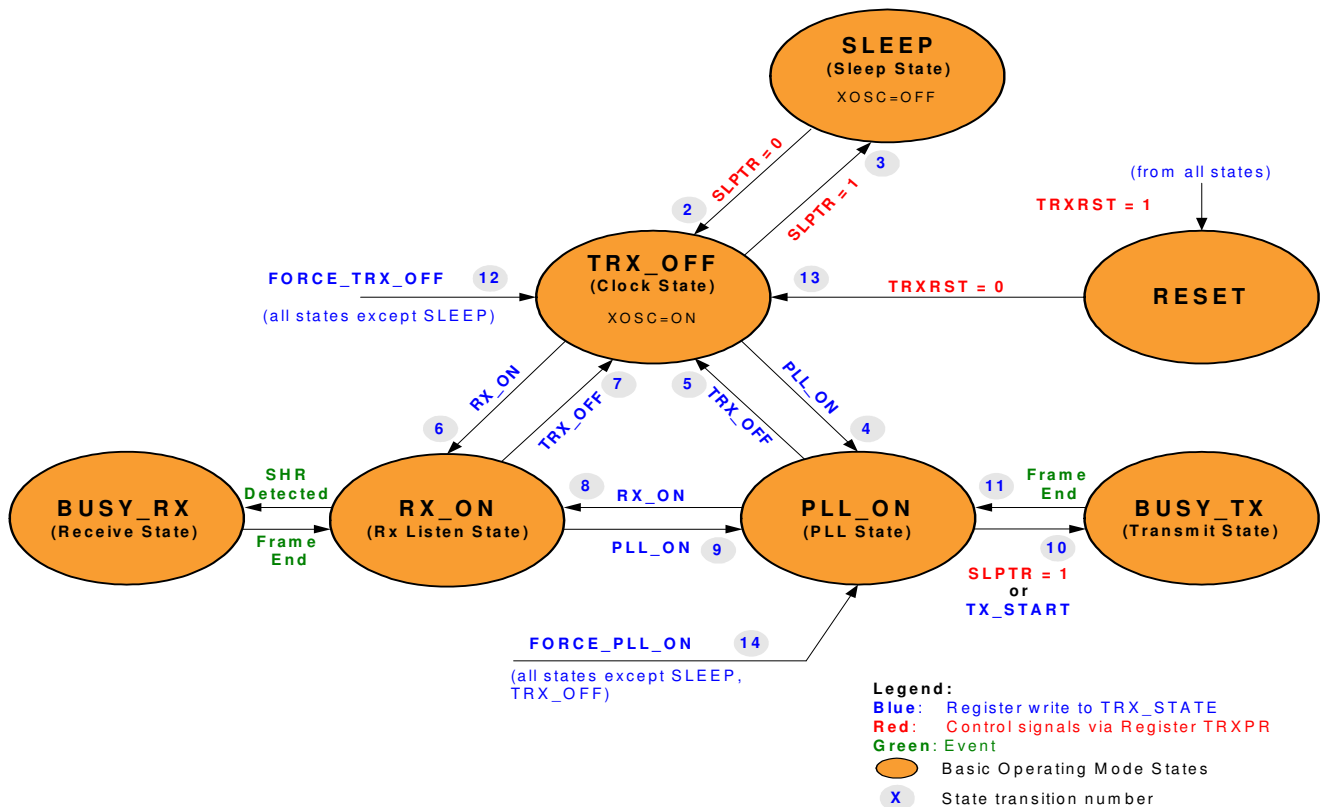
The timing for extended operating modes are respective.

## 9.4 Operating Modes

### 9.4.1 Basic Operating Mode

This section summarizes all states to provide the basic functionality of the 2.4GHz radio transceiver, such as receiving and transmitting frames, the power up sequence and radio transceiver sleep. The Basic Operating Mode is designed for IEEE 802.15.4 and ISM applications; the corresponding radio transceiver states are shown in [Figure 9-3 on page 39](#).

**Figure 9-3.** Basic Operating Mode State Diagram (for timing refer to [Table 9-4 on page 46](#))



Note: 1. State transition numbers correspond to [Table 9-4 on page 46](#).

### 9.4.1.1 State Control

The radio transceiver states are controlled either by writing commands to bits TRX\_CMD of register TRX\_STATE, or directly by the two control bits SLPTR and TRXRST of the TRXPR register. A successful state change can be verified by reading the radio transceiver status from register TRX\_STATUS.

If TRX\_STATUS = 0x1F (STATE\_TRANSITION\_IN\_PROGRESS) the radio transceiver is on a state transition. Do not try to initiate a further state change while the radio transceiver is in STATE\_TRANSITION\_IN\_PROGRESS.

Bit SLPTR is a multifunctional bit (refer to section "Transceiver Pin Register TRXPR" on [page 35](#) for more details). Dependent on the radio transceiver state, a "0" to "1" transition on SLPTR causes the following state transitions:

- TRX\_OFF → SLEEP
- PLL\_ON → BUSY\_TX

Whereas resetting bit SLPTR to "0" causes the following state transitions:

- SLEEP → TRX\_OFF

Bit TRXRST causes a reset of all radio transceiver registers and forces the radio transceiver into TRX\_OFF state.

For all states except SLEEP, the state change commands FORCE\_TRX\_OFF or TRX\_OFF lead to a transition into TRX\_OFF state. If the radio transceiver is in active receive or transmit states (BUSY\_\*), the command FORCE\_TRX\_OFF interrupts these



active processes, and forces an immediate transition to TRX\_OFF. In contrast a TRX\_OFF command is stored until an active state (receiving or transmitting) has been finished. After that the transition to TRX\_OFF is performed.

For a fast transition from receive or active transmit states to PLL\_ON state the command FORCE\_PLL\_ON is provided. In contrast to FORCE\_TRX\_OFF this command does not disable the PLL and the analog voltage regulator AVREG. It is not available in states SLEEP, and RESET.

The completion of each requested state-change shall always be confirmed by reading the bits TRX\_STATUS of register TRX\_STATUS.

#### 9.4.1.2 Basic Operating Mode Description

##### 9.4.1.2.1 SLEEP – Sleep State

In radio transceiver SLEEP state, the entire radio transceiver is disabled. No circuitry is operating. The radio transceiver's current consumption is reduced to leakage current only. This state can only be entered from state TRX\_OFF, by setting the bit SLPTR = "1".

Setting SLPTR = "0" returns the radio transceiver to the TRX\_OFF state. During radio transceiver SLEEP the register contents remains valid while the content of the Frame Buffer and the security engine (AES) are cleared.

TRXRST = "1" in SLEEP state returns the radio transceiver to TRX\_OFF state and thereby sets all registers to their reset values.

##### 9.4.1.2.2 TRX\_OFF – Clock State

This state is reached immediately after Power On or Reset. In TRX\_OFF the crystal oscillator is running. The digital voltage regulator is enabled, thus the radio transceiver registers, the Frame Buffer and security engine (AES) are accessible (see section ["Frame Buffer" on page 83](#) and ["Security Module \(AES\)" on page 99](#)).

SLPTR and TRXRST in register TRXPR can be used for state control (see ["State Control" on page 39](#) for details). The analog front-end is disabled during TRX\_OFF.

Entering the TRX\_OFF state from radio transceiver SLEEP, or RESET state is indicated by the TRX24\_AWAKE interrupt.

##### 9.4.1.2.3 PLL\_ON – PLL State

Entering the PLL\_ON state from TRX\_OFF state first enables the analog voltage regulator (AVREG). After the voltage regulator has been settled the PLL frequency synthesizer is enabled. When the PLL has been settled at the receive frequency to a channel defined by bits CHANNEL of register PHY\_CC\_CCA a successful PLL lock is indicated by issuing a TRX24\_PLL\_LOCK interrupt.

If an RX\_ON command is issued in PLL\_ON state, the receiver is immediately enabled. If the PLL has not been settled before the state change nevertheless takes place. Even if the register bits TRX\_STATUS of register TRX\_STATUS indicates RX\_ON, actual frame reception can only start once the PLL has locked.

The PLL\_ON state corresponds to the TX\_ON state in IEEE 802.15.4.



## 9.4.1.2.4 RX\_ON and BUSY\_RX – RX Listen and Receive State

In RX\_ON state the receiver blocks and the PLL frequency synthesizer are enabled.

The receive mode is internally separated into the RX\_ON and BUSY\_RX states. There is no difference between these states with respect to the analog radio transceiver circuitry, which are always turned on. In both states the receiver and the PLL frequency synthesizer are enabled.

During RX\_ON state the receiver listens for incoming frames. After detecting a valid synchronization header (SHR), the receiver automatically enters the BUSY\_RX state. The reception of a valid PHY header (PHR) generates an TRX24\_RX\_START interrupt and receives and demodulates the PSDU data.

During PSDU reception the frame data are stored continuously in the Frame Buffer until the last byte was received. The completion of the frame reception is indicated by an TRX24\_RX\_END interrupt and the radio transceiver reenters the state RX\_ON. At the same time the bits RX\_CRC\_VALID of register PHY\_RSSI are updated with the result of the FCS check (see ["Frame Check Sequence \(FCS\)" on page 72](#)).

Received frames are passed to the frame filtering unit, refer to section ["Frame Filtering" on page 58](#). If the content of the MAC addressing fields of a frame (refer to IEEE 802.15.4 section 7.2.1) matches to the expected addresses, which is further dependent on the addressing mode, an address match interrupt (TRX24\_XAH\_AMI) is issued, refer to ["Interrupt Logic" on page 36](#). The expected address values are to be stored in the registers Short-Address, PAN-ID and IEEE-address. Frame filtering is available in Basic and Extended Operating Mode, refer to section ["Frame Filtering" on page 58](#).

Leaving state RX\_ON is only possible by writing a state change command to bits TRX\_CMD of register TRX\_STATE.

## 9.4.1.2.5 BUSY\_TX – Transmit State

A transmission can only be initiated in state PLL\_ON. There are two ways to start a transmission:

- Setting Bit SLPTR of register TRXPR to '1'. The bit should be cleared before the frame has been transmitted. This mode is for legacy operation and should be replaced by the TX\_START command below.
- TX\_START command to bits TRX\_CMD of register TRX\_STATE.

Either of these causes the radio transceiver into the BUSY\_TX state.

During the transition to BUSY\_TX state, the PLL frequency shifts to the transmit frequency. The actual transmission of the first data chip of the SHR starts after 16  $\mu$ s to allow PLL settling and PA ramp-up, see [Figure 9-7 on page 44](#). After transmission of the SHR, the Frame Buffer content is transmitted. In case the PHR indicates a frame length of zero, the transmission is aborted.

After the frame transmission has completed, the radio transceiver automatically turns off the power amplifier, generates a TRX24\_TX\_END interrupt and returns into PLL\_ON state.

## 9.4.1.2.6 RESET State

The RESET state is used to set back the state machine and to reset all registers of the radio transceiver to their default values.

A reset forces the radio transceiver into the TRX\_OFF state.

A reset is initiated by a ATmega2564/1284/644RFR2 main reset (see ["Resetting the AVR" on page 207](#)) or a radio transceiver reset (see ["Transceiver Pin Register TRXPR" on page 35](#)).

During radio transceiver reset the TRXPR register is not cleared and therefore the application software has to set the SLPTR bit to "0".

#### 9.4.1.3 Interrupt Handling

All interrupts provided by the radio transceiver are supported in Basic Operating Mode (see [Table 9-2 on page 37](#)).

Required interrupts must be enabled by writing to register IRQ\_MASK and the global interrupt enable flag must be set. For a general explanation of the interrupt handling refer to ["Reset and Interrupt Handling" on page 15](#) and ["Interrupt Logic" on page 36](#).

For example, interrupts are provided to observe the status of the RX and TX operations.

On receive the TRX24\_RX\_START interrupt indicates the detection of a valid PHR, the TRX24\_XAH\_AMI interrupt an address match and the TRX24\_RX\_END interrupt the completion of the frame reception.

On transmit the TRX24\_TX\_END interrupt indicates the completion of the frame transmission.

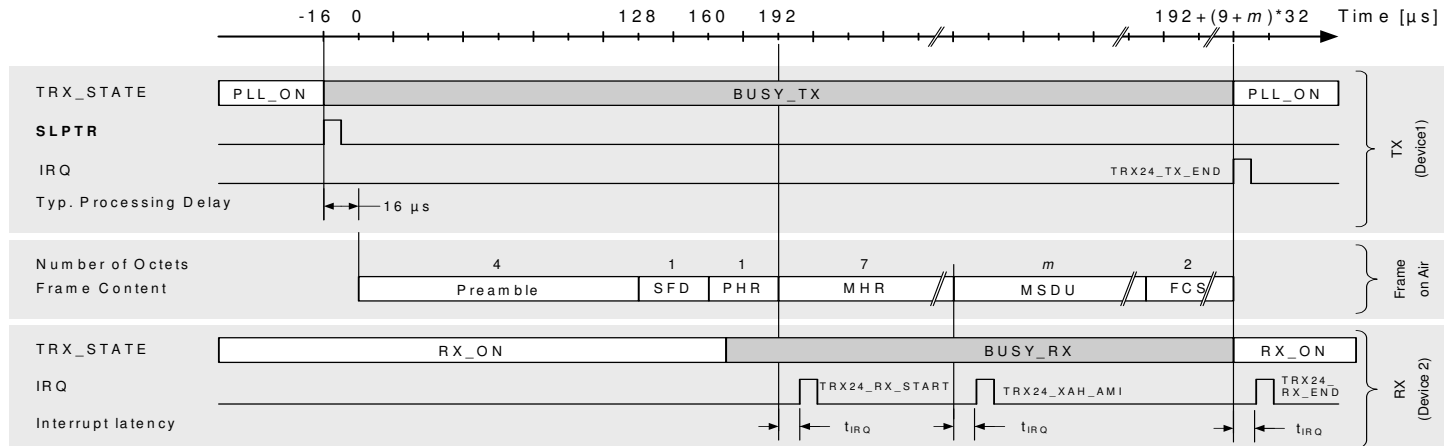
[Figure 9-14 on page 43](#) shows an example for a transmit/receive transaction between two devices and the related interrupt events in Basic Operating Mode. Device 1 transmits a frame containing a MAC header (in this example of length 7), payload and valid FCS. The frame is received by Device 2 which generates the interrupts during the processing of the incoming frame. The received frame is stored in the Frame Buffer.

If the received frame passes the address filter (refer to section ["Frame Filtering" on page 58](#)) an address match TRX24\_XAH\_AMI interrupt is issued after the reception of the MAC header (MHR).

In Basic Operating Mode the TRX24\_RX\_END interrupt is issued at the end of the received frame. In Extended Operating Mode (refer to ["Extended Operating Mode" on page 47](#)) the interrupt is only issued if the received frame passes the address filter and the FCS is valid. Further exceptions are explained in ["Extended Operating Mode" on page 47](#).

Processing delay  $t_{IRQ}$  is a typical value (see chapter ["Digital Interface Timing Characteristics" on page 560](#)).

**Figure 9-14.** Timing of TRX24\_RX\_START, TRX24\_XAH\_AMI, TRX24\_TX\_END and TRX24\_RX\_END Interrupts in Basic Operating Mode



### 9.4.1.4 Basic Operating Mode Timing

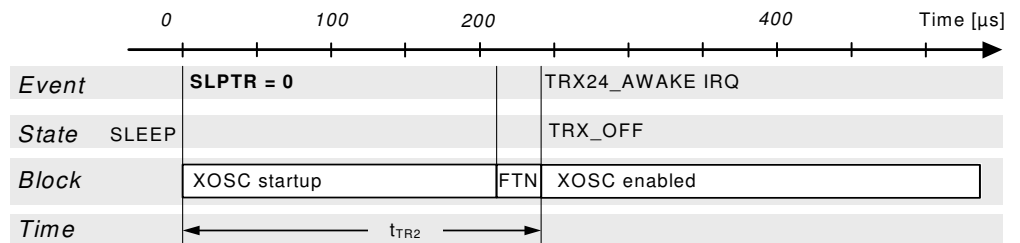
The following paragraphs depict state transitions and their timing properties. Timing figures are explained in [Table 9-4 on page 46](#) and section ["Digital Interface Timing Characteristics" on page 560](#).

#### 9.4.1.4.1 Wake-up Procedure

The wake-up procedure from radio transceiver SLEEP state is shown in [Figure 9-15 below](#). This figure implies, that the microcontroller is already running and hence, the digital voltage regulator is enabled. If the microcontroller clock source is set to Transceiver Clock, the crystal oscillator is also running, which reduces the radio transceiver wake-up time further. For information about the wake-up timing of the microcontroller, depending on the different clock source options, refer to ["System Clock and Clock Options" on page 174](#).

In order to calculate the total wake-up delay from microcontroller sleep mode (see ["Power Management and Sleep Modes" on page 183](#)), the microcontroller wake-up time, including the voltage regulator ramp-up and the radio transceiver wake-up time has to be added.

**Figure 9-15.** Wake-up Procedure from Transceiver SLEEP State



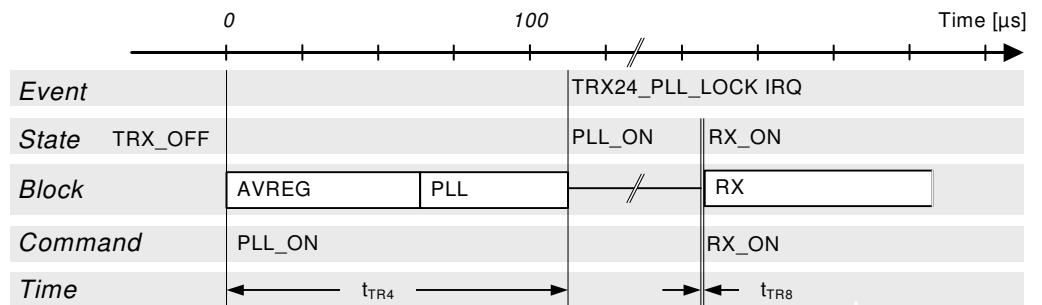
The radio transceiver SLEEP state is left by releasing bit SLPTR to "0". This restarts the XOSC if it is not already running. After  $t_{TR2} = 215 \mu s + 25 \mu s = 240 \mu s$  (see [Table 9-4 on page 46](#)) the radio transceiver enters TRX\_OFF state. If the XOSC is already running, the radio transceiver enters TRX\_OFF state after 25  $\mu s$ .

During this wake-up procedure the calibration of the filter-tuning network (FTN) is performed. Entering TRX\_OFF state is signaled by the TRX24\_AWAKE interrupt, if enabled.

### 9.4.1.4.2 PLL\_ON and RX\_ON States

The transition from TRX\_OFF to PLL\_ON and RX\_ON mode is shown in [Figure 9-16](#) below.

**Figure 9-16.** Transition from TRX\_OFF to PLL\_ON and RX\_ON State



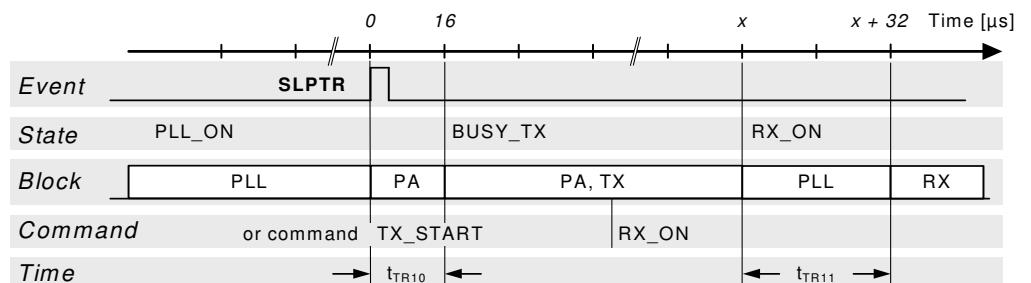
- Note:
1. If TRX\_CMD = RX\_ON in TRX\_OFF state RX\_ON state is entered immediately, even if the PLL has not settled.
  2. If the AVR ADC module is enabled, the AVREG is already started and thus the state transition time  $t_{TR4}$  is reduced.

Entering the commands PLL\_ON or RX\_ON in TRX\_OFF state initiates a ramp-up sequence of the internal 1.8V voltage regulator for the analog domain (AVREG), if AVREG is not already enabled by the AVR ADC module. RX\_ON state can be entered any time from PLL\_ON state regardless whether the PLL has already locked as indicated by the TRX24\_PLL\_LOCK interrupt.

### 9.4.1.4.3 BUSY\_TX and RX\_ON States

The transition from PLL\_ON to BUSY\_TX state and subsequent to RX\_ON state is shown in [Figure 9-7](#) below.

**Figure 9-7.** PLL\_ON to BUSY\_TX to RX\_ON Timing



Starting from PLL\_ON state it is assumed that the PLL is already locked. A transmission is initiated either by writing "1" to bit SLPTR or by command TX\_START. The PLL settles to the transmit frequency and the PA is enabled.

$t_{TR10} = 16 \mu s$  after initiating the transmission, the radio transceiver changes into BUSY\_TX state and the internally generated SHR is transmitted. After that the PSDU data are transmitted from the Frame Buffer.

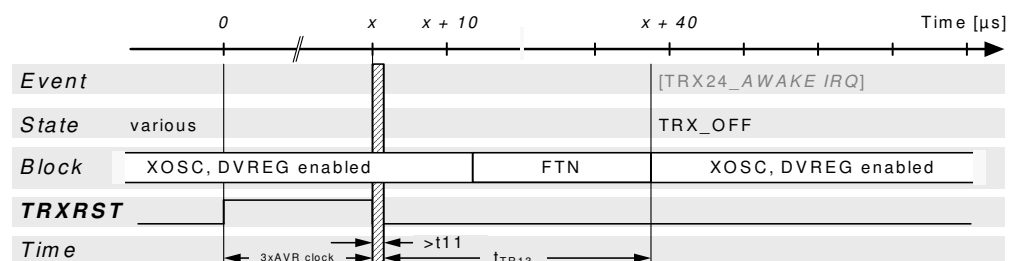
After completing the frame transmission, indicated by the TRX24\_TX\_END interrupt, the PLL settles back to the receive frequency within  $t_{TR11} = 32 \mu s$  in state PLL\_ON.

If during TX\_BUSY the radio transmitter is programmed to change to a receive state it automatically proceeds the state change to RX\_ON state after finishing the transmission.

#### 9.4.1.4.4 Reset Procedure

The radio transceiver reset procedure is shown in [Figure 9-18](#) below.

**Figure 9-18.** Reset Procedure



- Note:
1. Timing parameter  $t_{TR13} = 37 \mu s$  refers to [Table 9-4](#) on page 46;  $t_{11}$  refers to "[Digital Interface Timing Characteristics](#)" on page 560.
  2. If TRXRST is set during radio transceiver SLEEP state, the XOSC startup delay is extended by the XOSC startup time.

TRXRST = "1" resets all radio transceiver registers to their default values.

The radio transceiver reset is released automatically after 3 AVR clock cycles and the wake-up sequence without restarting XOSC and DVREG, nevertheless an FTN calibration cycle is performed, refer to "[Automatic Filter Tuning \(FTN\)](#)" on page 90. After that the TRX\_OFF state is entered.

[Figure 9-18](#) above illustrates the radio transceiver reset procedure if the radio transceiver is in any state but not in SLEEP state.

If the radio transceiver was in SLEEP state, the SLPTR bit in the TRXPR register must be cleared prior to clearing the TRXRST bit in order to enter the TRX\_OFF state. Otherwise the radio transceiver enters the SLEEP state immediately.

If the radio transceiver was in SLEEP state and the Transceiver Clock is not selected as the microcontroller clock source, the XOSC is enabled before entering TRX\_OFF state.

If register TRX\_STATUS indicates STATE\_TRANSITION\_IN\_PROGRESS during system initialization until the radio transceiver reaches TRX\_OFF, do not try to initiate a further state change while the radio transceiver is in this state.

Note that before accessing the radio transceiver module the TRX24\_AWAKE event should be checked.

#### 9.4.1.4.5 State Transition Timing Summary

The transition numbers correspond to [Table 9-4 below](#). See measurement setup in "[Basic Application Schematic](#)" on page 538.

**Table 9-4.** Radio Transceiver State Transition Timing

| No | Symbol     | Transition                          | Time [ $\mu$ s], (typ)  | Comments  |
|----|------------|-------------------------------------|-------------------------|---|
| 1  | $t_{TR2}$  | SLEEP $\Rightarrow$ TRX_OFF         | 240                     | Depends on crystal oscillator setup (CL = 10 pf)<br>TRX_OFF state indicated by TRX24_AWAKE interrupt                                |
| 2  | $t_{TR3}$  | TRX_OFF $\Rightarrow$ SLEEP         | $35 \cdot 1 / f_{CLKM}$ | For $f_{CLKM} > 250$ kHz  |
| 3  | $t_{TR4}$  | TRX_OFF $\Rightarrow$ PLL_ON        | 110                     | Depends on external capacitor at AVDD (1 $\mu$ F nom)   |
| 4  | $t_{TR5}$  | PLL_ON $\Rightarrow$ TRX_OFF        | 1                       |   |
| 5  | $t_{TR6}$  | TRX_OFF $\Rightarrow$ RX_ON         | 110                     | Depends on external capacitor at AVDD (1 $\mu$ F nom)   |
| 6  | $t_{TR7}$  | RX_ON $\Rightarrow$ TRX_OFF         | 1                       |   |
| 7  | $t_{TR8}$  | PLL_ON $\Rightarrow$ RX_ON          | 1                       |   |
| 8  | $t_{TR9}$  | RX_ON $\Rightarrow$ PLL_ON          | 1                       | Transition time is also valid for TX_ARET_ON, RX_AACK_ON  |
| 9  | $t_{TR10}$ | PLL_ON $\Rightarrow$ BUSY_TX        | 16                      | When setting bit SLPTR or TRX_CMD = TX_START, the first symbol transmission is delayed by 16 $\mu$ s (PLL settling and PA ramp up). |
| 10 | $t_{TR11}$ | BUSY_TX $\Rightarrow$ PLL_ON        | 32                      | PLL settling time from TX_BUSY to PLL_ON state  |
| 11 | $t_{TR12}$ | All modes $\Rightarrow$ TRX_OFF     | 1                       | Using TRX_CMD = FORCE_TRX_OFF (see register TRX_STATE),<br>Not valid for SLEEP state  |
| 12 | $t_{TR13}$ | RESET $\Rightarrow$ TRX_OFF         | 37                      | Not valid for SLEEP state   |
| 13 | $t_{TR14}$ | Various states $\Rightarrow$ PLL_ON | 1                       | Using TRX_CMD = FORCE_PLL_ON (see register TRX_STATE),<br>Not valid for SLEEP, RESET and TRX_OFF                                    |

The state transition timing is calculated based on the timing of the individual blocks shown in [Table 9-9 on page 55](#). The worst case values include maximum operating temperature, minimum supply voltage, and device parameter variations.

**Table 9-9.** Analog Block Initialization and Settling Time

| No | Symbol     | Block                    | Time [ $\mu$ s], (typ) | Time [ $\mu$ s], (max) | Comments   |
|----|------------|--------------------------|------------------------|------------------------|--|
| 15 | $t_{TR15}$ | XOSC                     | 215                    | 1000                   | Leaving SLEEP state, depends on crystal Q factor and load capacitor  |
| 16 | $t_{TR16}$ | FTN                      |                        | 25                     | FTN tuning time, fixed   |
| 17 | $t_{TR17}$ | DVREG                    | 60                     | 1000                   | Depends on external bypass capacitor at DVDD (CB3 = 1 $\mu$ F nom., 10 $\mu$ F worst case), depends on $V_{DEVDD}$ |
| 18 | $t_{TR18}$ | AVREG                    | 60                     | 1000                   | Depends on external bypass capacitor at AVDD (CB1 = 1 $\mu$ F nom., 10 $\mu$ F worst case), depends on $V_{EVDD}$  |
| 19 | $t_{TR19}$ | PLL, initial             | 110                    | 155                    | PLL settling time TRX_OFF $\Rightarrow$ PLL_ON, including 60 $\mu$ s AVREG settling time                           |
| 20 | $t_{TR20}$ | PLL, settling            | 11                     | 24                     | Settling time between channel switch   |
| 21 | $t_{TR21}$ | PLL, CF cal              | 35                     |                        | PLL center frequency calibration, refer to " <a href="#">Calibration Loops</a> " on page 89                        |
| 22 | $t_{TR22}$ | PLL, DCU cal             |                        | 6                      | PLL DCU calibration, refer to " <a href="#">Calibration Loops</a> " on page 89                                     |
| 23 | $t_{TR23}$ | PLL, RX $\Rightarrow$ TX |                        | 16                     | Maximum PLL settling time RX $\Rightarrow$ TX  |

| No | Symbol     | Block                        | Time [ $\mu$ s], (typ) | Time [ $\mu$ s], (max) | Comments  |
|----|------------|------------------------------|------------------------|------------------------|---|
| 24 | $t_{TR24}$ | PLL, TX $\leftrightarrow$ RX | 32                     |                        | Maximum PLL settling time TX $\leftrightarrow$ RX   |
| 25 | $t_{TR25}$ | RSSI, update                 | 2                      |                        | RSSI update period in receive states, refer to <a href="#">"Reading RSSI" on page 74</a>          |
| 26 | $t_{TR26}$ | ED                           | 140                    |                        | ED measurement period, refer to <a href="#">"Measurement Description" on page 75</a>              |
| 27 | $t_{TR27}$ | SHR, sync                    | 96                     |                        | Typical SHR synchronization period, refer to <a href="#">"Measurement Description" on page 75</a> |
| 28 | $t_{TR28}$ | CCA                          | 140                    |                        | CCA measurement period, refer to <a href="#">"Configuration and CCA Request" on page 77</a>       |
| 29 | $t_{TR29}$ | Random value                 | 1                      |                        | Random value update period, refer to <a href="#">"Random Number Generator" on page 92</a>         |

## 9.4.2 Extended Operating Mode

The Extended Operating Mode is a hardware MAC accelerator and goes beyond the basic radio transceiver functionality provided by the Basic Operating Mode. It handles time critical MAC tasks requested by the IEEE 802.15.4 standard or by hardware such as automatic acknowledgement, automatic CSMA-CA and retransmission. This results in a more efficient IEEE 802.15.4 software MAC implementation including reduced code size and may allow operating at lower microcontroller clock rates.

The Extended Operating Mode is designed to support IEEE 802.15.4-2006 compliant frames; the mode is backward compatible to IEEE 802.15.4-2003 and supports non IEEE 802.15.4 compliant frames. This mode comprises the following procedures:

### ***Automatic acknowledgement (RX\_AACK) divides into the tasks:***

- Frame reception and automatic FCS check;
- Configurable addressing fields check;
- Interrupt indicating address match;
- Interrupt indicating frame reception, if it passes address filtering and FCS check;
- Automatic ACK frame transmission (if the received frame passed the address filter and FCS check and if an ACK is required by the frame type and ACK request);
- Support of slotted acknowledgment using SLPTR bit for frame start.

### ***Automatic CSMA-CA and Retransmission (TX\_ARET) divides into the tasks:***

- CSMA-CA including automatic CCA retry and random back-off;
- Frame transmission and automatic FCS field generation;
- Reception of ACK frame (if an ACK was requested);
- Automatic frame retry if ACK was expected but not received;
- Interrupt signaling with transaction status.

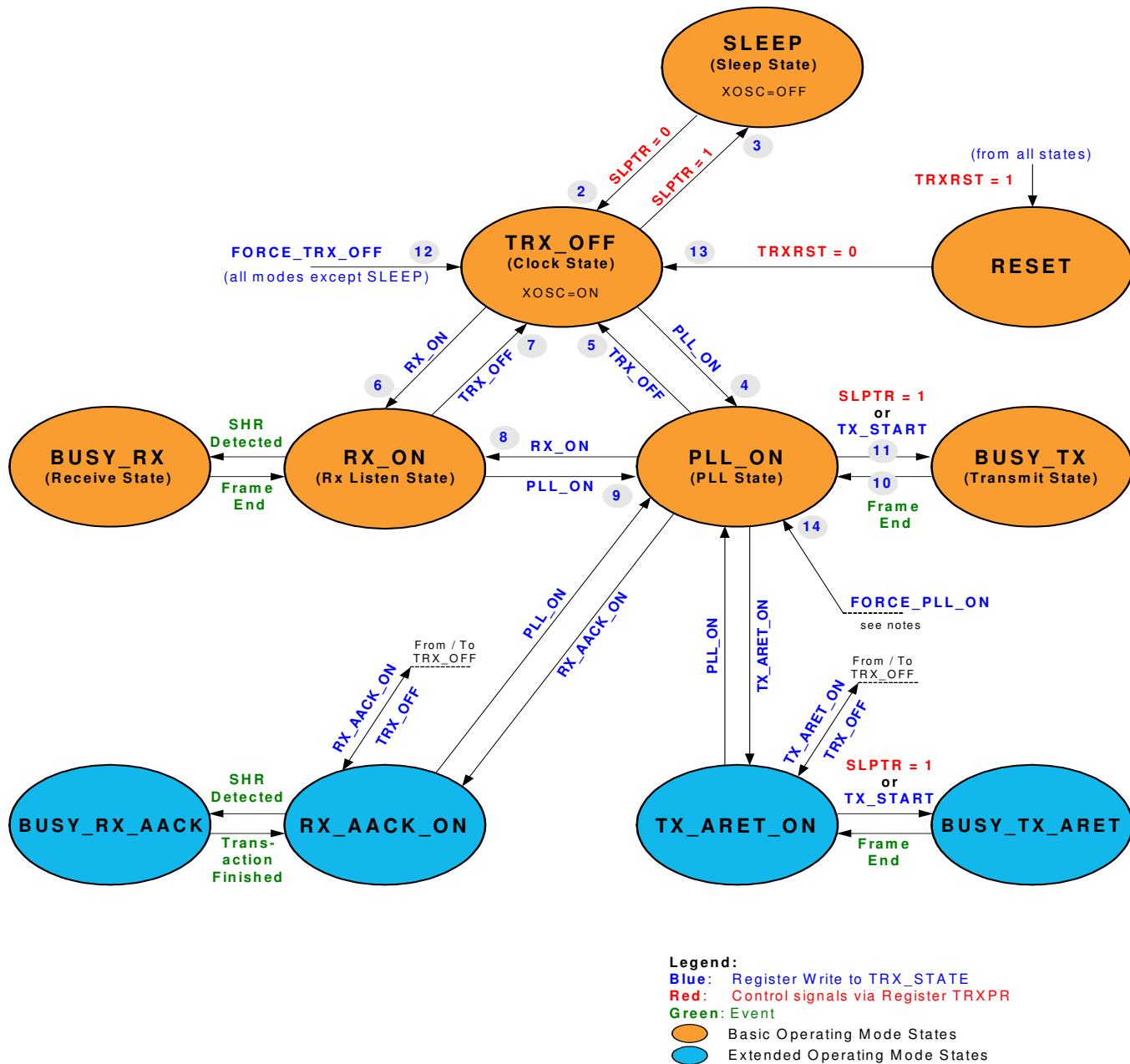
Automatic FCS check and generation (refer to ["Frame Check Sequence \(FCS\)" on page 72](#)) is used by the RX\_AACK and TX\_ARET modes. In RX\_AACK mode an automatic FCS check is always performed for incoming frames.

An ACK received in TX\_ARET mode within the time required by IEEE 802.15.4 is accepted if the FCS is valid and if the sequence number of the ACK matches the sequence number of the previously transmitted frame. Dependent on the value of the

frame pending subfield in the received acknowledgement frame the transaction status is set according to [Table 9-19](#) on page 64.

The state diagram including the Extended Operating Mode states is shown in [Figure 9-19](#) below. Yellow marked states represent the Basic Operating Mode; blue marked states represent the Extended Operating Mode.

**Figure 9-19.** Extended Operating Mode State Diagram



Note: 1. State transition numbers correspond to [Table 9-4](#) on page 46.



## 9.4.2.1 State Control

The Extended Operating Mode states RX\_AACK and TX\_ARET are controlled via the bits TRX\_CMD of register TRX\_STATE, which receives the state transition commands. The states are entered from TRX\_OFF or PLL\_ON state as illustrated in [Figure 9-19](#) on page 48. The completion of each state change command shall always be confirmed by reading the TRX\_STATUS register.

### **RX\_AACK** - Receive with Automatic ACK

A state transition to RX\_AACK\_ON from PLL\_ON or TRX\_OFF is initiated by writing the command RX\_AACK\_ON to the register bits TRX\_CMD. The state change can be confirmed by reading register TRX\_STATUS, those changes to RX\_AACK\_ON or BUSY\_RX\_AACK on success. BUSY\_RX\_AACK is returned if a frame is currently being received.

The RX\_AACK state is left by writing command TRX\_OFF or PLL\_ON to the register bits TRX\_CMD. If the radio transceiver is within a frame receive or acknowledgment procedure (BUSY\_RX\_AACK) the state change is executed after finish. Alternatively, the commands FORCE\_TRX\_OFF or FORCE\_PLL\_ON can be used to cancel the RX\_AACK transaction and change into radio transceiver state TRX\_OFF or PLL\_ON respectively.

### **TX\_ARET** - Transmit with Automatic Retry and CSMA-CA Retry

Similarly, a state transition to TX\_ARET\_ON from PLL\_ON or TRX\_OFF is initiated by writing command TX\_ARET\_ON to register bits TRX\_CMD. The radio transceiver is in the TX\_ARET\_ON state after TRX\_STATUS register changes to TX\_ARET\_ON. The TX\_ARET transaction is started with writing '1' to the SLPTR bit of the TRXPR register or writing the command TX\_START to register bits TRX\_CMD.

TX\_ARET state is left by writing the command TRX\_OFF or PLL\_ON to the register bits TRX\_CMD. If the radio transceiver is within a CSMA-CA, a frame-transmit or an acknowledgment procedure (BUSY\_TX\_ARET) the state change is executed after finish. Alternatively, the command FORCE\_TRX\_OFF or FORCE\_PLL\_ON can be used to instantly terminate the TX\_ARET transaction and change into radio transceiver states TRX\_OFF or PLL\_ON, respectively.

Note that a state change request from TRX\_OFF to RX\_AACK\_ON or TX\_ARET\_ON internally passes the state PLL\_ON to initiate the radio transceiver. Thus the readiness to receive or transmit data is delayed accordingly. It is recommended to use interrupt TRX24\_PLL\_LOCK as an indicator.

## 9.4.2.2 Configuration

The use of the Extended Operating Mode is based on Basic Operating Mode functionality. Only features beyond the basic radio transceiver functionality are described in the following sections. For details on the Basic Operating Mode refer to section ["Basic Operating Mode" on page 38](#).

When using the RX\_AACK or TX\_ARET modes, the following registers needs to be configured.

### **RX\_AACK configuration steps:**

- Short address, PAN-ID and IEEE address (register SHORT\_AADR\_0, SHORT\_ADDR\_1, PAN\_ID\_0, PAN\_ID\_1, IEEE\_ADDR\_0 ... IEEE\_ADDR\_7)
- Configure RX\_AACK properties (register XAH\_CTRL\_0, CSMA\_SEED\_1)
  - Handling of Frame Version Subfield

- Handling of Pending Data Indicator
- Characterize as PAN coordinator
- Handling of Slotted Acknowledgement
- Additional Frame Filtering Properties (register XAH\_CTRL\_1, CSMA\_SEED\_1)
  - Promiscuous Mode
  - Enable or disable automatic ACK generation
  - Handling of reserved frame types

The addresses for the address match algorithm are to be stored in the appropriate address registers. Additional control of the RX\_AACK mode is done with registers XAH\_CTRL\_1 and CSMA\_SEED\_1.

As long as a short address has not been set, only broadcast frames and frames matching the IEEE address can be received.

Configuration examples for different device operating modes and handling of various frame types can be found in section ["Description of RX\\_AACK Configuration Bits"](#) on page 53.

***TX\_ARET configuration steps:***

- Leave register bit TX\_AUTO\_CRC\_ON = 1 register TRX\_CTRL\_1
- Configure CSMA-CA
  - MAX\_FRAME\_RETRIES register XAH\_CTRL\_0
  - MAX\_CSMA\_RETRIES register XAH\_CTRL\_0
  - CSMA\_SEED registers CSMA\_SEED\_0, CSMA\_SEED\_1
  - MAX\_BE, MIN\_BE register CSMA\_BE
- Configure CCA (see section ["Configuration and CCA Request"](#) on page 77)

MAX\_FRAME\_RETRIES (register XAH\_CTRL\_0) defines the maximum number of frame retransmissions.

The register bits MAX\_CSMA\_RETRIES (register XAH\_CTRL\_0) configure the number of CSMA-CA retries after a busy channel is detected.

The CSMA\_SEED\_0 and CSMA\_SEED\_1 registers define a random seed for the back-off-time random-number generator of the radio transceiver.

The MAX\_BE and MIN\_BE register bits (register CSMA\_BE) set the maximum and minimum CSMA back-off exponent (according to [\[1\]](#) on page 110).

**9.4.2.3 RX\_AACK\_ON – Receive with Automatic ACK**

The general functionality of the RX\_AACK procedure is shown in [Figure 9-20](#) on page 52.

The gray shaded area is the standard flow of a RX\_AACK transaction for IEEE 802.15.4 compliant frames (refer to section ["Configuration of IEEE Scenarios"](#) on page 54). All other procedures are exceptions for specific operating modes or frame formats (refer to section ["Configuration of non IEEE 802.15.4 Compliant Scenarios"](#) on page 56).

The frame filtering operation is described in detail in section ["Frame Filtering"](#) on page 58.

In RX\_AACK\_ON state, the radio transceiver listens for incoming frames. After detecting SHR and a valid PHR, the radio transceiver parses the frame content of the MAC header (MHR) as described in section ["PHY Header \(PHR\)"](#) on page 67.

Generally, at nodes, configured as a normal device or PAN coordinator, a frame is not indicated if the frame filter does not match and the FCS is invalid. Otherwise, the TRX\_24\_RX\_END interrupt is issued after the completion of the frame reception. The microcontroller can then read the frame. An exception applies if promiscuous mode is enabled (see section ["Configuration of IEEE Scenarios"](#) on page 54). In that case a TRX\_24\_RX\_END interrupt is issued even if the FCS fails.

If the content of the MAC addressing fields of the received frame (refer to IEEE 802.15.4 section 7.2.1) matches one of the configured addresses, dependent on the addressing mode, an address match interrupt (TRX24\_XAH\_AMI) is issued (refer to section ["Frame Filtering"](#) on page 58). The expected address values are to be stored in registers Short-address, PAN-ID and IEEE-address. Frame filtering as described in section ["Frame Filtering"](#) on page 58 is also valid for Basic Operating Mode.

During reception the radio transceiver parses bit[5] (ACK Request) of the frame control field of the received data or the MAC command frame to check if an ACK reply is expected. In that case and if the frame passes the third level of filtering (see IEEE 802.15.4-2006, section 7.5.6.2), the radio transceiver automatically generates and transmits an ACK frame. After the ACK transmission is finished, a TRX24\_TX\_END interrupt is generated.

The content of the frame pending subfield of the ACK response is set by bit AACK\_SET\_PD of register CSMA\_SEED\_1 when the ACK frame is sent in response to a data request MAC command frame, otherwise this subfield is set to "0". The sequence number is copied from the received frame.

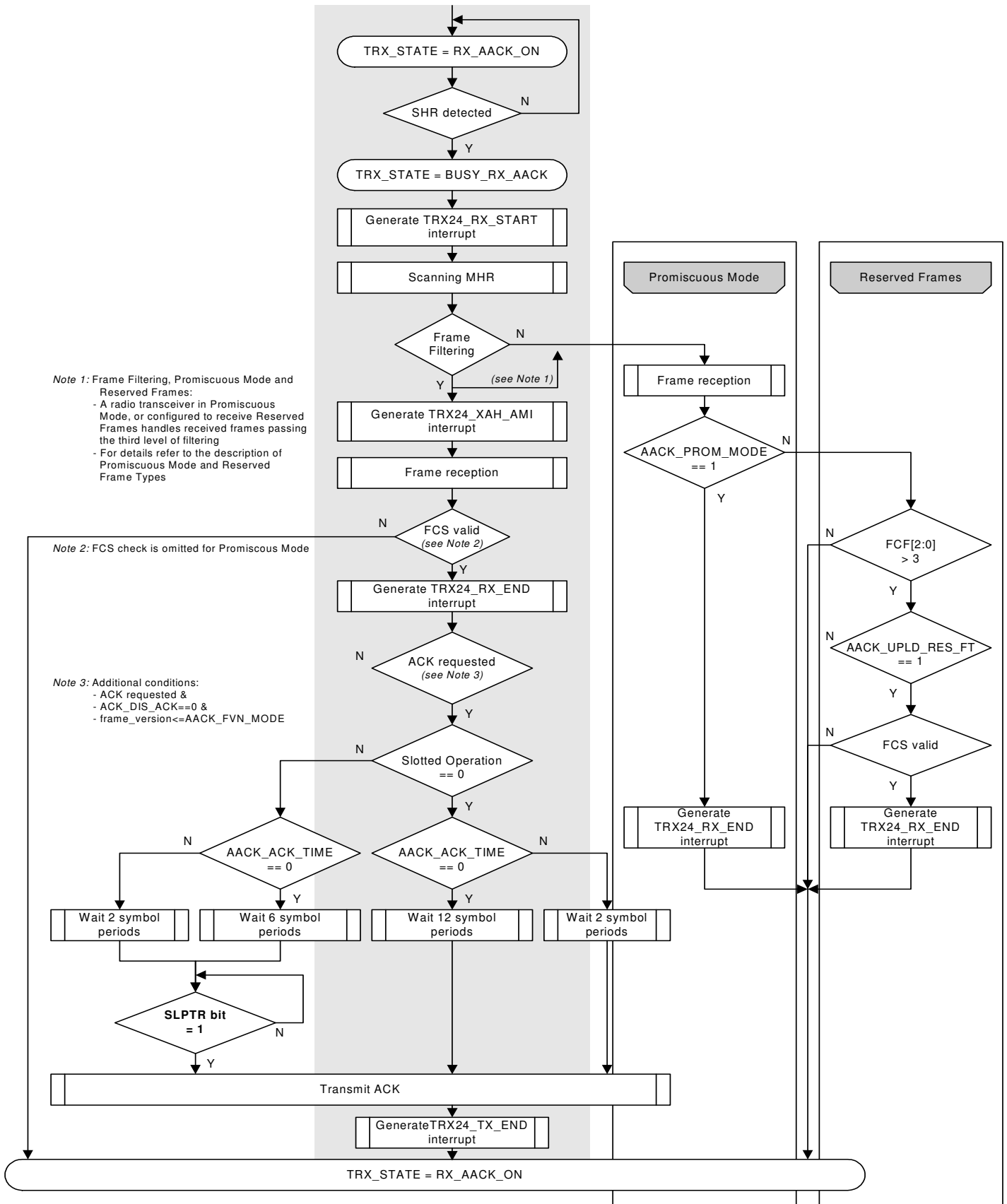
Optionally, the start of the transmission of the acknowledgement frame can be influenced by register bit AACK\_ACK\_TIME. Default value (according to standard IEEE 802.15.4, page 54) is 12 symbol times after the reception of the last symbol of a data or MAC command frame.

If the bit AACK\_DIS\_ACK of register CSMA\_SEED\_1 is set, no acknowledgement frame is sent even if an acknowledgment frame was requested. This is useful for operating the MAC hardware accelerator in promiscuous mode (see section ["Configuration of non IEEE 802.15.4 Compliant Scenarios"](#) on page 56).

The status of the RX\_AACK operation is indicated by the bits TRAC\_STATUS of register TRAC\_STATUS.

During the operations described above the radio transceiver remains in BUSY\_RX\_AACK state.

**Figure 9-20. Flow Diagram of RX\_AACK**



## 9.4.2.3.1 Description of RX\_AACK Configuration Bits

### Overview

The following table summarizes all register bits which affect the behavior of a RX\_AACK transaction. For address filtering it is further required to setup address registers to match to the expected address.

Configuration and address bits are to be set in TRX\_OFF or PLL\_ON state prior to switching to RX\_AACK mode.

A graphical representation of various operating modes is illustrated in [Figure 9-20](#) on page 52.

**Table 9-6.** Overview of RX\_AACK Configuration Bits

| Register Name   | Register Bits | Description   |
|---|---------------|---|
| SHORT_ADDR_0/1<br>PAN_ADDR_0/1<br>IEEE_ADDR_0<br>...<br>IEEE_ADDR_7 |               | Set node addresses  |
| RX_SAFE_MODE  | 7             | Protect buffer after frame receive  |
| AACK_PROM_MODE  | 1             | Support promiscuous mode  |
| AACK_ACK_TIME   | 2             | Change auto acknowledge start time  |
| AACK_UPLD_RES_FT  | 4             | Enable reserved frame type reception, needed to receive non-standard compliant frames                             |
| AACK_FLTR_RES_FT  | 5             | Filter reserved frame types like data frame type, needed for filtering of non-standard compliant frames           |
| SLOTTED_OPERATION   | 0             | If set, acknowledgment transmission has to be triggered by register bit SLPTR                                     |
| AACK_I_AM_COORD   | 3             | If set, the device is a PAN coordinator   |
| AACK_DIS_ACK  | 4             | Disable generation of acknowledgment  |
| AACK_SET_PD   | 5             | Set frame pending subfield in Frame Control Field (FCF), refer to section " <a href="#">Overview</a> " on page 72 |
| AACK_FVN_MODE   | 7:6           | Controls the ACK behavior, depending on FCF frame version number  |

The usage of the RX\_AACK configuration bits for various operating modes of a node is explained in the following sections. Configuration bits not mentioned in the following two sections should be set to their reset values.

All registers mentioned in [Table 9-6](#) above are described in section "[Register Summary](#)" on page 66.

Note, that the general behavior of the Extended Feature Set settings:

- OQPSK\_DATA\_RATE (PSDU data rate)
- SFD\_VALUE (alternative SFD value)
- ANT\_DIV (Antenna Diversity)
- RX\_PDT\_LEVEL (blocking frame reception of lower power signals)

are completely independent from RX\_AACK mode (see "[Radio Transceiver Extended Feature Set](#)" on page 92). Each of these operating modes can be combined with the RX\_AACK mode.

### 9.4.2.3.2 Configuration of IEEE Scenarios

#### Normal Device

The [Table 9-7](#) below shows a typical RX\_AACK configuration of an IEEE 802.15.4 device operated as a normal device rather than a PAN coordinator or router.

**Table 9-7.** Configuration of IEEE 802.15.4 Devices

| Register Name   | Register Bits | Description   |
|---|---------------|---|
| SHORT_ADDR_0/1<br>PAN_ADDR_0/1<br>IEEE_ADDR_0<br>...<br>IEEE_ADDR_7 |               | Set node addresses  |
| RX_SAFE_MODE  | 7             | 0: disable frame protection<br>1: enable frame protection   |
| SLOTTED_OPERATION   | 0             | 0: if transceiver works in unslotted mode<br>1: if transceiver works in slotted mode  |
| AACK_FVN_MODE   | 7:6           | Controls the ACK behavior, depending on FCF frame version number<br>0x00 : acknowledges only frames with version number 0, i.e. according to IEEE 802.15.4-2003 frames<br>0x01 : acknowledges only frames with version number 0 or 1, i.e. frames according to IEEE 802.15.4-2006<br>0x10 : acknowledges only frames with version number 0 or 1 or 2<br>0x11 : acknowledges all frames, independent of the FCF frame version number |

- Notes:
1. If no short address has been configured before the device has been assigned one by the PAN-coordinator, only frames directed to either the broadcast address or the IEEE address are received.
  2. In IEEE 802.15.4-2003 standard the frame version subfield did not yet exist but was marked as reserved. According to this standard, reserved fields have to be set to zero. On the other hand, IEEE 802.15.4-2003 standard requires ignoring reserved bits upon reception. Thus, there is a contradiction in the standard which can be interpreted in two ways:
    - a) If a network should only allow access to nodes which use the IEEE 802.15.4-2003, then AACK\_FVN\_MODE should be set to 0.
    - b) If a device should acknowledge all frames independent of its frame version, AACK\_FVN\_MODE should be set to 3. However, this can result in conflicts with co-existing IEEE 802.15.4-2006 standard compliant networks.
- The same holds for PAN coordinators as described below.

#### PAN-Coordinator

[Table 9-8](#) on [page 55](#) shows the RX\_AACK configuration for a PAN coordinator.

**Table 9-8.** Configuration of a PAN Coordinator

| Register Name   | Register Bits | Description   |
|---|---------------|---|
| SHORT_ADDR_0/1<br>PAN_ADDR_0/1<br>IEEE_ADDR_0<br>...<br>IEEE_ADDR_7 |               | Set node addresses  |
| RX_SAFE_MODE  | 7             | 0: disable frame protection<br>1: enable frame protection   |
| SLOTTED_OPERATION   | 0             | 0: if transceiver works in unslotted mode<br>1: if transceiver works in slotted mode  |
| AACK_I_AM_COORD   | 3             | 1: device is PAN coordinator  |
| AACK_SET_PD   | 5             | 0: frame pending subfield is not set in FCF<br>1: frame pending subfield is set in FCF  |
| AACK_FVN_MODE   | 7:6           | Controls the ACK behavior, depends on FCF frame version number<br>0x00 : acknowledges only frames with version number 0, i.e. according to IEEE 802.15.4-2003 frames<br>0x01 : acknowledges only frames with version number 0 or 1, i.e. frames according to IEEE 802.15.4-2006<br>0x10 : acknowledges only frames with version number 0 or 1 or 2<br>0x11 : acknowledges all frames, independent of the FCF frame version number |

### Promiscuous Mode

The promiscuous mode is described in IEEE 802.15.4-2006, section 7.5.6.5. This mode is further illustrated in [Radio Transceiver Extended Feature Set on page 92](#). According to IEEE 802.15.4-2006 when in promiscuous mode, the MAC sub layer shall pass received frames with correct FCS to the next higher layer without further processing. That implies that frames should never be acknowledged.

Only second level filter rules as defined by IEEE 802.15.4-2006, section 7.5.6.2, are applied to the received frame.

[Table 9-9 below](#) shows the typical configuration of a device operating in promiscuous mode.

**Table 9-9.** Configuration of Promiscuous Mode

| Register Name   | Register Bits | Description                             |
|---|---------------|---|
| SHORT_ADDR_0/1<br>PAN_ADDR_0/1<br>IEEE_ADDR_0<br>...<br>IEEE_ADDR_7 |               | Each address shall be set: 0x00         |
| AACK_PROM_MODE  | 1             | 1: Enable promiscuous mode              |
| AACK_DIS_ACK  | 4             | 1: Disable generation of acknowledgment |

| Register Name | Register Bits | Description   |
|---------------|---------------|---|
| AACK_FVN_MODE | 7:6           | Controls the ACK behavior, depends on FCF frame version number<br><i>0x00</i> : acknowledges only frames with version number 0, i.e. according to IEEE 802.15.4-2003 frames<br><i>0x01</i> : acknowledges only frames with version number 0 or 1, i.e. frames according to IEEE 802.15.4-2006<br><i>0x10</i> : acknowledges only frames with version number 0 or 1 or 2<br><i>0x11</i> : acknowledges all frames, independent of the FCF frame version number |

Second level of filtering according to IEEE 802.15.4-2006, section 7.5.6.2, is applied to a received frame if the radio transceiver is in promiscuous mode. However, a TRX24\_RX\_END interrupt is issued even if the FCS is invalid. Thus it is necessary to read bit RX\_CRC\_VALID of register PHY\_RSSI after the TRX24\_RX\_END interrupt in order to verify the reception of a frame with a valid FCS.

If a device, operating in promiscuous mode, receives a frame with a valid FCS which in addition passed the third level filtering according to IEEE 802.15.4-2006, section 7.5.6.2, an acknowledgement frame would be transmitted. According to the definition of the promiscuous mode a received frame shall not be acknowledged even if it is requested. Thus bit AACK\_DIS\_ACK of register CSMA\_SEED\_1 has to be set to 1.

In all receive modes a TRX24\_AMI interrupt is issued, when the received frame matches the node's address according to the filter rules described in section "Frame Filtering" on page 58.

Alternatively, in RX\_ON state of the Basic Operating Mode when a valid PHR is detected a TRX24\_RX\_START interrupt is generated and the frame is received. The end of the frame reception is signaled with a TRX24\_RX\_END interrupt. At the same time the bit RX\_CRC\_VALID of register PHY\_RSSI is updated with the result of the FCS check (see "Overview" on page 72). The RX\_CRC\_VALID bit must be checked in order to dismiss corrupted frames according to the definition of the promiscuous mode.

### 9.4.2.3.3 Configuration of non IEEE 802.15.4 Compliant Scenarios

#### Sniffer

Table 9-10 below shows a RX\_AACK configuration to setup a sniffer device. Other RX\_AACK configuration bits should be set to their reset values (see Table 9-6 on page 53). All frames received are indicated by a TRX24\_RX\_START and TRX24\_RX\_END interrupt. Bit RX\_CRC\_VALID of register PHY\_RSSI is updated after frame reception with the result of the FCS check (see "Overview" on page 72). The RX\_CRC\_VALID bit needs to be checked in order to dismiss corrupted frames.

**Table 9-10.** Configuration of a Sniffer Device

| Register Name  | Register Bits | Description                             |
|----------------|---------------|---|
| AACK_PROM_MODE | 1             | 1: Enable promiscuous mode              |
| AACK_DIS_ACK   | 4             | 1: Disable generation of acknowledgment |

This operating mode is similar to the promiscuous mode.



## Reception of Reserved Frames

Frames with reserved frame types (see section [Table 9-19 on page 69](#)) can also be handled in RX\_AACK mode. This might be required when implementing proprietary, non-standard compliant protocols. It is an extension of the address filtering in RX\_AACK mode. Received frames are either handled similar to data frames or may be allowed to completely bypass the address filter.

[Table 9-11 below](#) shows the required configuration for a node to receive reserved frames and [Figure 9-20 on page 52](#) shows the corresponding flow chart.

**Table 9-11. RX\_AACK Configuration to Receive Reserved Frame Types**

| Register Name   | Register Bits | Description   |
|---|---------------|---|
| SHORT_ADDR_0/1<br>PAN_ADDR_0/1<br>IEEE_ADDR_0<br>...<br>IEEE_ADDR_7 |               | Set node addresses  |
| RX_SAFE_MODE  | 7             | 0: disable frame protection<br>1: enable frame protection   |
| AACK_UPLD_RES_FT  | 4             | 1: Enable reserved frame type reception   |
| AACK_FLTR_RES_FT  | 5             | Filter reserved frame types like data frame type, see note below<br>0: disable<br>1: enable   |
| SLOTTED_OPERATION   | 0             | 0: if transceiver works in un-slotted mode<br>1: if transceiver works in slotted mode   |
| AACK_I_AM_COORD   | 3             | 0: device is not PAN coordinator<br>1: device is PAN coordinator  |
| AACK_DIS_ACK  | 4             | 0: Enable generation of acknowledgment<br>1: Disable generation of acknowledgment   |
| AACK_FVN_MODE   | 7:6           | Controls the ACK behavior, depends on FCF frame version number<br>0x00: acknowledges only frames with version number 0, i.e. according to IEEE 802.15.4-2003 frames<br>0x01: acknowledges only frames with version number 0 or 1, i.e. frames according to IEEE 802.15.4-2006<br>0x10: acknowledges only frames with version number 0 or 1 or 2<br>0x11: acknowledges all frames, independent of the FCF frame version number |

There are two different options for handling reserved frame types.

1. AACK\_UPLD\_RES\_FT = 1, AACK\_FLT\_RES\_FT = 0:

Any non-corrupted frame with a reserved frame type is indicated by a TRX24\_RX\_END interrupt. No further address filtering is applied on those frames. A TRX24\_AMI interrupt is never generated and the acknowledgment subfield is ignored.

2. AACK\_UPLD\_RES\_FT = 1, AACK\_FLT\_RES\_FT = 1:

If AACK\_FLT\_RES\_FT = 1 any frame with a reserved frame type is filtered by the address filter similar to a data frame as described in the standard. Consequently, a TRX24\_AMI interrupt is generated upon address match. A TRX24\_RX\_END interrupt is only generated if the address matched and the frame was not corrupted. An acknowledgment is only send, when the ACK request subfield was set in the received frame and a TRX24\_RX\_END interrupt occurred.

Note that It is not allowed to set AACK\_FLTR\_RES\_FT = 1 and have register bit AACK\_FLTR\_RES\_FT set to 0.

### Short Acknowledgment Frame (ACK) Start Timing

The bit AACK\_ACK\_TIME of register XAH\_CTRL\_1 defines the symbol time between frame reception and transmission of an acknowledgment frame.

**Table 9-12.** Overview of RX\_AACK Configuration Bits

| Register Name | Register Bit | Description   |
|---------------|--------------|---|
| AACK_ACK_TIME | 2            | 0: Standard compliant acknowledgement timing of 12 symbol periods. In slotted acknowledgement operation mode, the acknowledgment frame transmission can be triggered 6 symbol periods after reception of the frame earliest.<br>1: Reduced acknowledgment timing of 2 symbol periods (32 µs). |

Note that this feature can be used in all scenarios, independent of other configurations. However, shorter acknowledgment timing is especially useful when using High Data Rate Modes to increase battery lifetime and to improve the overall data throughput; see "High Data Rate Modes" on page 93 for details.

#### 9.4.2.4 Frame Filtering

Frame Filtering is an evaluation whether or not a received frame is dedicated for this node. To accept a received frame and to generate an address match interrupt (TRX24\_AMI) a filtering procedure as described in IEEE 802.15.4-2006 chapter 7.5.6.2. (Third level of filtering) is applied to the frame. The radio transceiver's RX\_AACK mode accepts only frames that satisfy all of the following requirements (quote from IEEE 802.15.4-2006, 7.5.6.2):

1. The Frame Type subfield shall not contain a reserved frame type.
2. The Frame Version subfield shall not contain a reserved value.
3. If a destination PAN identifier is included in the frame, it shall match macPANId or shall be the broadcast PAN identifier (0xFFFF).
4. If a short destination address is included in the frame, it shall match either macShortAddress or the broadcast address (0xFFFF). Otherwise, if an extended destination address is included in the frame, it shall match aExtendedAddress.
5. If the frame type indicates that the frame is a beacon frame, the source PAN identifier shall match macPANId unless macPANId is equal to 0xFFFF, in which case the beacon frame shall be accepted regardless of the source PAN identifier.
6. If only source addressing fields are included in a data or MAC command frame, the frame shall be accepted only if the device is the PAN coordinator and the source PAN identifier matches macPANId.

The radio transceiver requires two additional rules:

1. The frame type indicates that the frame is not an ACK frame (refer to Table 9-7 on page 54).

2. At least one address field must be configured.

Address match, indicated by the TRX24\_AMI interrupt is further controlled by the content of subfields of the frame control field of a received frame according to the following rule:

If (Destination Addressing Mode = 0 OR 1) AND (Source Addressing Mode = 0) no TRX24\_AMI interrupt is generated, refer to [Figure 9-27 on page 69](#). This effectively causes all acknowledgement frames not to be announced which otherwise always pass the filter regardless of whether they are intended for this device or not.

For backward compatibility to IEEE 802.15.4-2003 third level filter rule 2 (Frame Version) can be disabled by the bits AACK\_FVN\_MODE of register CSMA\_SEED\_1.

Frame filtering is available in Extended and Basic Operating Mode (see section "[Basic Operating Mode](#)" on page 38); a frame passing the frame filtering generates an TRX24\_AMI interrupt, if enabled.

- Note:
1. Filter rule 1 is affected by register bits AACK\_FLTR\_RES\_FT and AACK\_UPLD\_RES\_FT (see register "[XAH\\_CTRL\\_1 – Transceiver Acknowledgment Frame Control Register 1](#)" on page 132).
  2. Filter rule 2 is affected by register bits AACK\_FVN\_MODE (see register "[CSMA\\_SEED\\_1 – Transceiver Acknowledgment Frame Control Register 2](#)" on page 144).

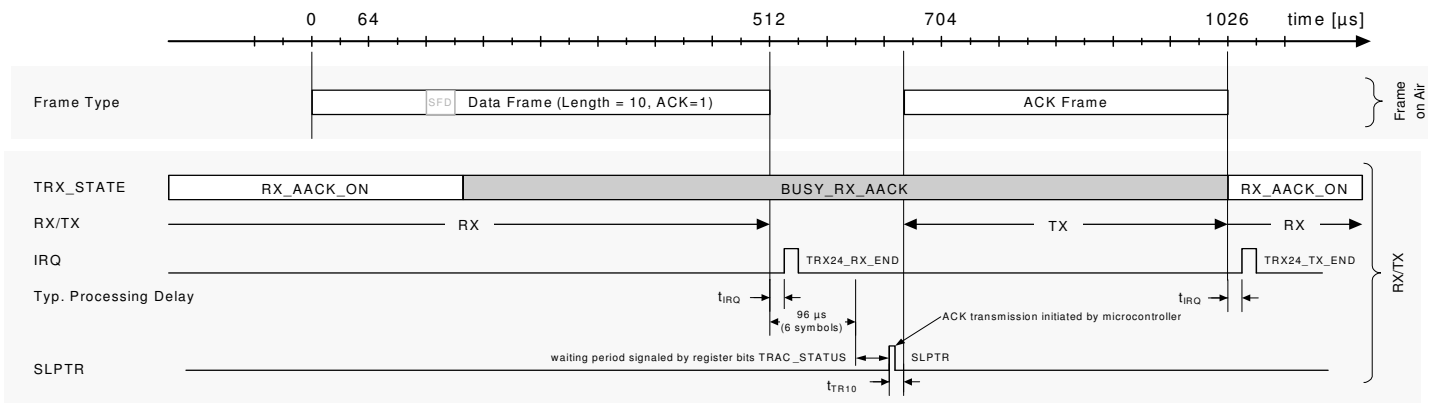
#### 9.4.2.4.1 RX\_AACK Slotted Operation – Slotted Acknowledgement

The radio transceiver supports slotted acknowledgement operation according to IEEE 802.15.4-2006, section 5.5.4.1.

In RX\_AACK mode with bit SLOTTED\_OPERATION of register XAH\_CTRL\_0 set, the transmission of an acknowledgement frame has to be controlled by the microcontroller. If an ACK frame has to be transmitted the radio transceiver expects writing SLPTR=1 to actually start the transmission. This waiting state is signaled 6 symbol periods after the reception of the last symbol of a data or MAC command frame by bits TRAC\_STATUS of register XAH\_CTRL\_0, which are set to SUCCESS\_WAIT\_FOR\_ACK in that case. In networks using slotted operation the start of the acknowledgment frame and thus the exact timing must be provided by the microcontroller.

A timing example of an RX\_AACK transaction with bit SLOTTED\_OPERATION of register XAH\_CTRL\_0 set is shown in the next figure. The acknowledgement frame is ready to transmit 6 symbol times after the reception of the last symbol of a data or MAC command frame. The transmission of the acknowledgement frame is initiated by the microcontroller by writing SLPTR=1 and starts  $16\mu\text{s}$  ( $t_{\text{TR}10}$ ) later. The interrupt latency  $t_{\text{IRQ}}$  is specified in section "[Digital Interface Timing Characteristics](#)" on page 560.

**Figure 9-11.** Example Timing of an RX\_AACK Transaction for Slotted Operation

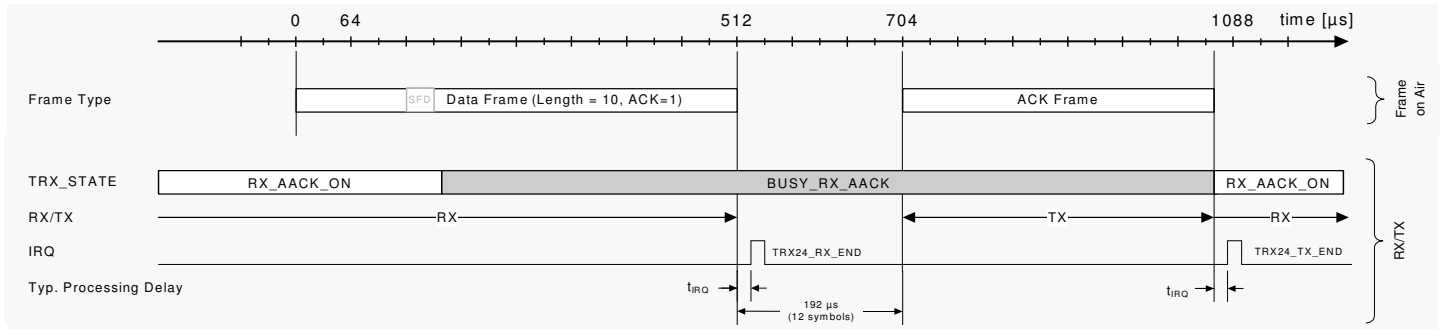


If bit `AACK_ACK_TIME` of register `XAH_CTRL_1` is set, an acknowledgment frame can be sent already 2 symbol times after the reception of the last symbol of a data or MAC command frame.

#### 9.4.2.4.2 RX\_AACK Mode Timing

A timing example of an `RX_AACK` transaction is shown in the next figure. In this example a data frame of length 10 with an ACK request is received. The radio transceiver changes to state `BUSY_RX_AACK` after SFD detection. The completion of the frame reception is indicated by a `TRX24_RX_END` interrupt. Interrupts `TRX24_RX_START` and `TRX24_AMI` are disabled in this example. The ACK frame is automatically transmitted after a default wait period of 12 symbols (192 μs), bit `AACK_ACK_TIME` = 0 (reset value). The interrupt latency  $t_{IRQ}$  is specified in section "Digital Interface Timing Characteristics" on page 560.

**Figure 9-12.** Example Timing of an RX\_AACK Transaction



If bit `AACK_ACK_TIME` of register `XAH_CTRL_1` is set, an acknowledgment frame is sent already 2 symbol times after the reception of the last symbol of a data or MAC command frame.

#### 9.4.2.5 MAF – Multiple Address Filter

Certain scenarios, like different PANs, may require to extend the address filter to multiple PANs. The address filter was extended to support four PANs.

The address filter unit consists of four independent filter blocks. The incoming signal is analyzed in parallel by all filter blocks. Each block can be enabled separately and is

configured by a short address and pan ID. The IEEE 64 bit address is the same for every filter block.

There are some separate configuration bits for every filter block (see [Table 9-13 below](#)).

**Table 9-13. Additional register set for Multiple Address Filter**

| Register Name     | Description   |
|-------------------|---|
| {MAFSA0H,MAFSA0L} | short address for filter #0<br>both register are mirror register of<br>{SHORT_ADDR_1,SHORT_ADDR_0}                    |
| {MAFSA1H,MAFSA1L} | short address for filter #1   |
| {MAFSA2H,MAFSA2L} | short address for filter #2   |
| {MAFSA3H,MAFSA3L} | short address for filter #3   |
| {MAFPA0H,MAFPA0L} | Pan ID for filter #0<br>both register are mirror register of<br>{PAN_ID_1,PAN_ID_0}                                   |
| {MAFPA1H,MAFPA1L} | Pan ID for filter #1  |
| {MAFPA2H,MAFPA2L} | Pan ID for filter #2  |
| {MAFPA3H,MAFPA3L} | Pan ID for filter #3  |
| MAFCR0            | bits MAFxEN to enable filter #x   |
| MAFCR1            | bits AACK_I_AM_COORDx to enable filter #x as coordinator<br>bits AACK_SET_PDx to enable pending data bit of filter #x |
| TRX24_AMIx        | each address filter #x generates the respective TRX24_AMIx interrupt  |

Note: There are some register which are mirrored.

- MAFSA0H <--> SHORT\_ADDR\_0
- MAFSA1H <--> SHORT\_ADDR\_1
- MAFPA0H <--> PAN\_ID\_0
- MAFPA1H <--> PAN\_ID\_1
- bit AACK\_I\_AM\_COORD (register CSMA\_SEED\_1) <-->  
bit AACK\_I\_AM\_COORD0 (register MAFCR1)
- bit AACK\_SET\_PD (register CSMA\_SEED\_1) <-->  
bit AACK\_SET\_PD (register MAFCR1)

That means access to the registers is equal, the internal function can be written or read by both registers.

Bit MAF0EN is set by reset to provide backward compatibility. The four address filter blocks generate four address match interrupts.

**Table 9-14. Additional AMI Interrupts for Multiple Address Filter**

| Interrupt Name | Description   |
|----------------|---|
| TRX24_AMI0     | address match interrupt from address filter #0, enabled bit AMI0 in register IRQ_MASK1 is set |
| TRX24_AMI1     | address match interrupt from address filter #1, enabled bit AMI1 in register IRQ_MASK1 is set |
| TRX24_AMI2     | address match interrupt from address filter #2, enabled bit AMI2 in register IRQ_MASK1 is set |

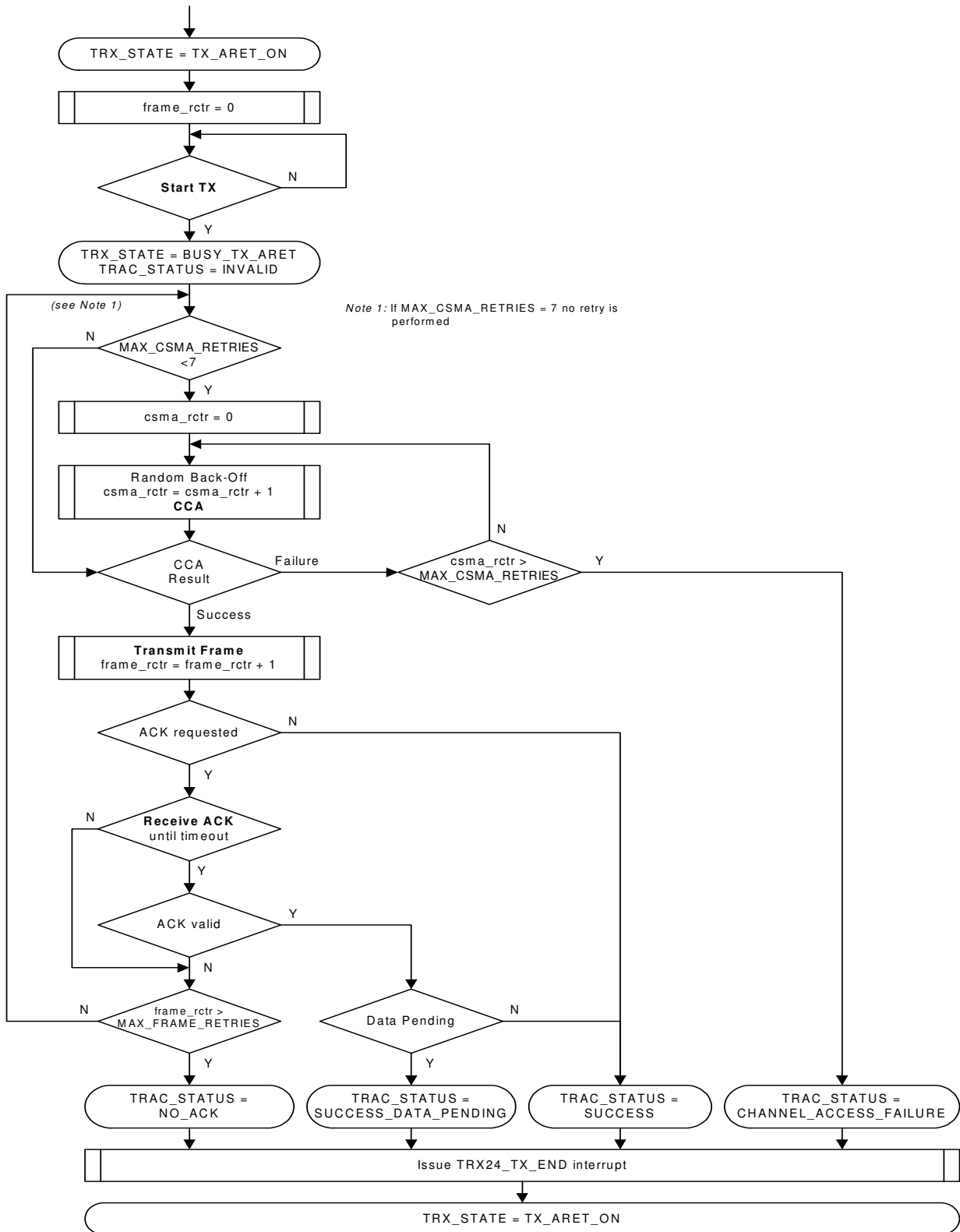
| Interrupt Name | Description   |
|----------------|---|
| TRX24_AMI3     | address match interrupt from address filter #3, enabled bit AMI3 in register IRQ_MASK1 is set |

Note: If bit AMI\_EN is set in register IRQ\_MASK, interrupt TRX24\_XAH\_AMI occurs if any of the four filter detects an address match.

It is not allowed to configure two enabled address filter to the same short address and PAN.

## 9.4.2.6 TX\_aret\_on – Transmit with Automatic Retry and CSMA-CA Retry

**Figure 9-13.** Flow Diagram of TX\_aret



## Overview

The implemented TX\_aret algorithm is shown in [Figure 9-13 on page 63](#).

In TX\_aret mode, the radio transceiver first executes the CSMA-CA algorithm, as defined by IEEE 802.15.4-2006, section 7.5.1.4, initiated by a transmit start event. If the channel is IDLE a frame is transmitted from the Frame Buffer. If the acknowledgement frame is requested the radio transceiver additionally checks for an ACK reply.

A TRX24\_TX\_END interrupt indicates the completion of the TX\_aret transmit transaction.

## Description

Configuration and address bits are to be set in TRX\_OFF or PLL\_ON state prior to switching to TX\_aret mode. It is further recommended to transfer the PSDU data to the Frame Buffer in advance. The transaction is started by either writing SLPTR=1 as described in section ["Transceiver Pin Register TRXPR" on page 35](#) or writing a TX\_START command to register TRX\_STATE.

If the CSMA-CA detects a busy channel, it is retried as specified by bits MAX\_CSMA\_RETRIES of register XAH\_CTRL\_0. In case that CSMA-CA does not detect a clear channel after MAX\_CSMA\_RETRIES it aborts the TX\_aret transaction, issues a TRX24\_TX\_END interrupt and sets the value of the TRAC\_STATUS register bits to CHANNEL\_ACCESS\_FAILURE.

During transmission of a frame the radio transceiver parses bit 5 (ACK Request) of the MAC header (MHR) frame control field of the PSDU data (PSDU octet #1) to be transmitted to check if an ACK reply is expected.

If an ACK is expected the radio transceiver automatically switches into receive mode to wait for a valid ACK reply. After receiving an ACK frame the Frame Pending subfield of that frame is parsed and the status register bits TRAC\_STATUS are updated accordingly (see [Table 9-19 below](#)). This receive procedure does not overwrite the Frame Buffer content. Transmit data in the Frame Buffer is not changed during the entire TX\_aret transaction. Received frames other than the expected ACK frame are discarded.

If no valid ACK is received or after timeout of 54 symbol periods (864  $\mu$ s), the radio transceiver retries the entire transaction (including CSMA-CA) until the maximum number of retransmissions as set by the bits MAX\_FRAME\_RETRIES in register XAH\_CTRL\_0 is exceeded.

After that, the microcontroller may read the value of the bits TRAC\_STATUS of register TRX\_STATE to verify whether the transaction was successful or not. The register bits are set according to the following cases:

**Table 9-19.** Interpretation of the TRAC\_STATUS register bits

| Value | Name                   | Description   |
|-------|------------------------|---|
| 0     | SUCCESS                | The transaction was responded by a valid ACK, or, if no ACK is requested, after a successful frame transmission           |
| 1     | SUCCESS_DATA_PENDING   | Equivalent to SUCCESS; indicates pending frame data according to the MHR frame control field of the received ACK response |
| 3     | CHANNEL_ACCESS_FAILURE | Channel is still busy after MAX_CSMA_RETRIES of CSMA-CA   |



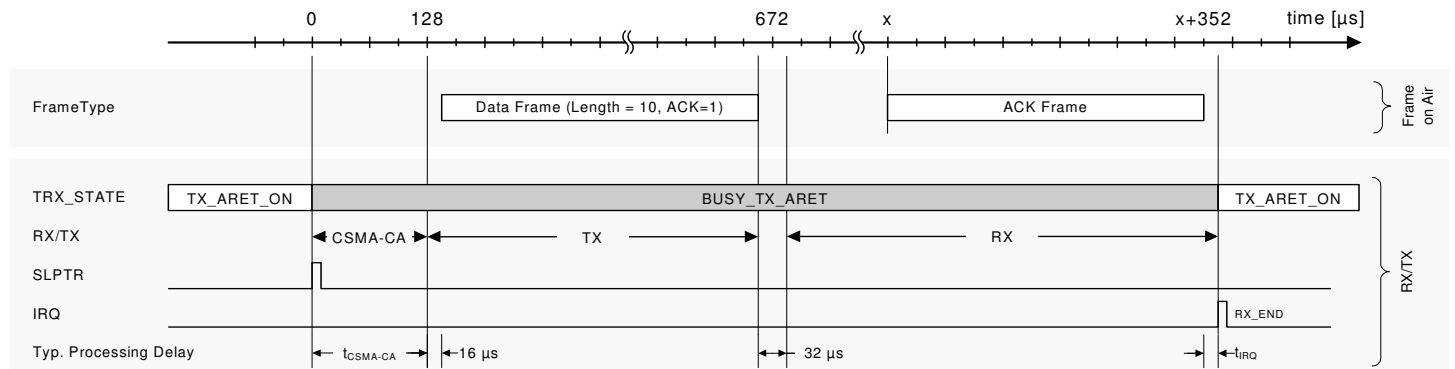
| Value | Name    | Description   |
|-------|---------|---|
| 5     | NO_ACK  | No acknowledgement frames were received during all retry attempts |
| 7     | INVALID | Entering TX_ARET mode sets TRAC_STATUS = 7                        |

Note that if no ACK is expected (according to the content of the received frame in the Frame Buffer), the radio transceiver issues a TRX24\_TX\_END interrupt directly after the frame transmission has been completed. The value of the bits TRAC\_STATUS of register TRX\_STATE is set to SUCCESS.

A value of MAX\_CSMA\_RETRIES = 7 initiates an immediate TX\_ARET transaction without performing CSMA-CA. This is required to support slotted acknowledgement operation. Further the value MAX\_FRAME\_RETRIES is ignored and the TX\_ARET transaction is performed only once.

A timing example of a TX\_ARET transaction is shown in [Figure 9-14 below](#).

**Figure 9-14.** Example Timing of a TX\_ARET Transaction



Note: 1.  $t_{CSMA-CA}$  defines the random CSMA-CA processing time.

Here an example data frame of length 10 with an ACK request is transmitted, see [Table 9-16 on page 66](#). After the transmission the radio transceiver switches to receive mode and expects an acknowledgement response. During the whole transaction including frame transmit, wait for ACK and ACK receive the radio transceiver status register TRX\_STATUS signals BUSY\_TX\_ARET.

A successful reception of the acknowledgment frame is indicated by the TRX24\_TX\_END interrupt. The status register TRX\_STATUS changes back to TX\_ARET\_ON. The TX\_ARET status register TRAC\_STATUS changes as well to TRAC\_STATUS = SUCCESS or TRAC\_STATUS = SUCCESS\_DATA\_PENDING if the frame pending subfield of the received ACK frame was set to 1.

### 9.4.2.7 Interrupt Handling

The interrupt handling in the Extended Operating Mode is similar to the Basic Operating Mode (see section ["Interrupt Handling" on page 42](#)). The microcontroller enables interrupts by setting the appropriate bit in register IRQ\_MASK.

For RX\_AACK and TX\_ARET the following interrupts ([Table 9-16 on page 66](#)) inform about the status of a frame reception and transmission:

**Table 9-16.** Interrupt Handling in Extended Operating Mode

| Mode    | Interrupt      | Description  |
|---------|----------------|--|
| RX_AACK | TRX24_RX_START | Indicates a PHR reception  |
|         | TRX24_AMI      | Issued at address match  |
|         | TRX24_RX_END   | Signals completion of RX_AACK transaction if successful <ul style="list-style-type: none"> <li>– A received frame must pass the address filter;</li> <li>– The FCS is valid</li> </ul> |
| TX_ARET | TRX24_TX_END   | Signals completion of TX_ARET transaction  |
| Both    | TRX24_PLL_LOCK | Entering RX_AACK_ON or TX_ARET_ON state from TRX_OFF state, the TRX24_PLL_LOCK interrupt signals that the transaction can be started   |

### **RX\_AACK**

For RX\_AACK it is recommended to enable the TRX24\_RX\_END interrupt. This interrupt is issued only if a frame passes the frame filtering (see section "Frame Filtering" on page 58) and has a valid FCS. This is different to Basic Operating Mode (see section "Basic Operating Mode" on page 38). The use of the other interrupts is optional.

On reception of a valid PHR a TRX24\_RX\_START interrupt is issued. The TRX24\_AMI interrupt indicates an address match (see filter rules in section "Frame Filtering" on page 58). The completion of a frame reception with a valid FCS is indicated by the TRX24\_RX\_END interrupt.

Thus it can happen that a TRX24\_RX\_START and/or a TRX24\_AMI interrupt are issued, but no TRX24\_RX\_END interrupt.

The end of an acknowledgment transmission is confirmed by a TRX24\_TX\_END interrupt.

### **TX\_ARET**

In TX\_ARET interrupt TRX24\_TX\_END is only issued after completing the entire TX\_ARET transaction.

Acknowledgement frames do not issue a TRX24\_RX\_START, TRX24\_AMI or a TRX24\_RX\_END interrupt.

All other interrupts as described in section Table 9-2 on page 37 are also available in Extended Operating Mode.

#### 9.4.2.8 Register Summary

The following registers (Table 9-17 below) are to be configured to control the Extended Operating Mode:

**Table 9-17.** Register Summary

| Register Name | Description                                       |
|---------------|---|
| TRX_STATUS    | Radio transceiver status, CCA result              |
| TRX_STATE     | Radio transceiver state control, TX_ARET status   |
| TRX_CTRL_1    | TX_AUTO_CRC_ON                                    |
| PHY_CC_CCA    | CCA mode control, Table 9-24 on page 76           |
| CCA_THRES     | CCA threshold settings, see "Overview" on page 76 |
| XAH_CTRL_1    | RX_AACK control                                   |

| Register Name   | Description  |
|---|--|
| IEEE_ADDR_7<br>.....<br>IEEE_ADDR_0<br>PAN_ID_1<br>PAN_ID_0<br>SHORT_ADDR_1<br>SHORT_ADDR_0 | Address filter configuration<br>Short address, PAN-ID and IEEE address |
| XAH_CTRL_0  | TX_ARET control, retries value control                                 |
| CSMA_SEED_0   | CSMA-CA seed value   |
| CSMA_SEED_1   | CSMA-CA seed value, RX_AACK control                                    |
| CSMA_BE   | CSMA-CA back-off exponent control                                      |

## 9.5 Functional Description

### 9.5.1 Introduction – IEEE 802.15.4-2006 Frame Format

Figure 9-15 below provides an overview of the physical layer (PHY) frame structure as defined by IEEE 802.15.4. Figure 9-16 on page 68 shows the frame structure of the medium access control (MAC) layer.

**Figure 9-15.** IEEE 802.15.4 Frame Format - PHY-Layer Frame Structure (PPDU)

| PHY Protocol Data Unit (PPDU)            |     |                  |   |
|--|-----|------------------|---|
| Preamble Sequence                        | SFD | Frame Length     | PHY Payload                                     |
| 5 octets<br>Synchronization Header (SHR) |     | 1 octet<br>(PHR) | max. 127 octets<br>PHY Service Data Unit (PSDU) |
|  |     |                  | MAC Protocol Data Unit (MPDU)                   |

#### 9.5.1.1 PHY Protocol Layer Data Unit (PPDU)

##### 9.5.1.1.1 Synchronization Header (SHR)

The SHR consists of a four-octet preamble field (all zero), followed by a single byte start-of-frame delimiter (SFD) which has the predefined value 0xA7. During transmit, the SHR is automatically generated by the radio transceiver, thus the Frame Buffer shall contain PHR and PSDU only.

The transmission of the SHR requires 160  $\mu$ s (10 symbols). As the frame buffer access is normally faster than the over-air data rate, this allows the application software to initiate a transmission without having transferred the full frame data already. Instead it is possible to subsequently write the frame content.

During frame reception, the SHR is used for synchronization purposes. The matching SFD determines the beginning of the PHR and the following PSDU payload data.

##### 9.5.1.1.2 PHY Header (PHR)

The PHY header is a single octet following the SHR. The least significant 7 bits denote the frame length of the following PSDU, while the most significant bit of that octet is reserved, and shall be set to 0 for IEEE 802.15.4 compliant frames.

On receive the PHR is returned as the first octet during Frame Buffer read access, the most significant bit always set to 0. For IEEE 802.15.4 compliant operation bit 8 has to be masked by software. The reception of a valid PHR is signaled by a TRX24\_RX\_START interrupt.

On transmit the PHR has to be written first to the Frame Buffer.

### 9.5.1.1.3 PHY Payload (PHY Service Data Unit, PSDU)

The PSDU has a variable length between 0 and *aMaxPHYPacketSize* (127, maximum PSDU size in octets) whereas the last two octets are used for the Frame Check Sequence (FCS). The length of the PSDU is signaled by the frame length field (PHR) as described in [Table 9-18 below](#). The PSDU contains the MAC Protocol Layer Data Unit (MPDU).

Received frames with a frame length field set to 0x00 (invalid PHR) are not by an interrupt.

[Table 9-18 below](#) summarizes the type of payload versus the frame length value.

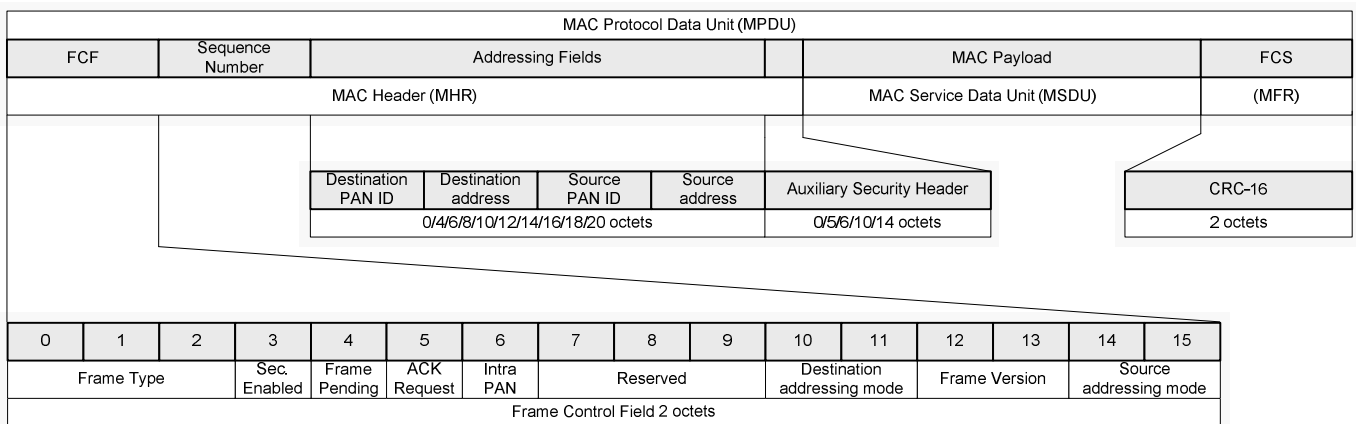
**Table 9-18.** Frame Length Field - PHR

| Frame Length Value           | Payload                |
|------------------------------|------------------------|
| 0 - 4                        | Reserved               |
| 5                            | MPDU (Acknowledgement) |
| 6 - 8                        | Reserved               |
| 9 - <i>aMaxPHYPacketSize</i> | MPDU                   |

### 9.5.1.2 MAC Protocol Layer Data Unit (MPDU)

[Figure 9-16 below](#) shows the frame structure of the MAC layer.

**Figure 9-16.** IEEE 802.15.4 Frame Format - MAC-Layer Frame Structure (MPDU)



#### 9.5.1.2.1 MAC Header (MHR) Fields

The MAC header consists of the Frame Control Field (FCF), a sequence number, and the addressing fields (which are of variable length and can even be empty in certain situations).

## 9.5.1.2.2 Frame Control Field (FCF)

The FCF consists of 16 bits, and occupies the first two octets of either the MPDU or the PSDU, respectively.

**Figure 9-27.** IEEE 802.15.4-2006 Frame Control Field (FCF)

|                              |   |   |              |               |             |           |          |   |   |                             |    |               |    |                        |    |
|------------------------------|---|---|--------------|---------------|-------------|-----------|----------|---|---|-----------------------------|----|---------------|----|------------------------|----|
| 0                            | 1 | 2 | 3            | 4             | 5           | 6         | 7        | 8 | 9 | 10                          | 11 | 12            | 13 | 14                     | 15 |
| Frame Type                   |   |   | Sec. Enabled | Frame Pending | ACK Request | Intra PAN | Reserved |   |   | Destination addressing mode |    | Frame Version |    | Source addressing mode |    |
| Frame Control Field 2 octets |   |   |              |               |             |           |          |   |   |                             |    |               |    |                        |    |

**Bit [2:0]:** describe the frame type. [Table 9-19 below](#) summarizes frame types defined by IEEE 802.15.4, section 7.2.1.1.1.

**Table 9-19.** Frame Control Field – Frame Type Subfield

| Frame Control Field Bit Assignments                              |       | Description |
|--|-------|-------------|
| Frame Type Value<br>b <sub>2</sub> b <sub>1</sub> b <sub>0</sub> | Value |             |
| 000  | 0     | Beacon      |
| 001  | 1     | Data        |
| 010  | 2     | Acknowledge |
| 011  | 3     | MAC command |
| 100 – 111  | 4 – 7 | Reserved    |

This subfield is used for address filtering by the third level filter rules. Only frame types 0 – 3 pass the third level filter rules (refer to section ["Frame Filtering" on page 58](#)). Automatic address filtering of the radio transceiver is enabled when using the RX\_AACK mode (refer to ["RX\\_AACK\\_ON – Receive with Automatic ACK" on page 50](#)).

A reserved frame (frame type value > 3) can be received if bit AACK\_UPLD\_RES\_FT of register XAH\_CTRL\_1 is set. For details refer to chapter ["Configuration of non IEEE 802.15.4 Compliant Scenarios" on page 56](#). Address filtering is also provided in Basic Operating Mode as explained in ["Basic Operating Mode" on page 38](#).

**Bit 3:** indicates whether security processing applies to this frame.

**Bit 4:** is the "Frame Pending" subfield. This field can be set in an acknowledgment frame (ACK) in response to a data request MAC command frame. This bit indicates that the node, which transmitted the ACK, has more data to send to the node receiving the ACK.

For acknowledgment frames automatically generated by the radio transceiver, this bit is set according to the content of bit AACK\_SET\_PD of register CSMA\_SEED\_1 if the received frame was a data request MAC command frame.

**Bit 5:** forms the "Acknowledgment Request" subfield. If this bit is set within a data or MAC command frame that is not broadcast, the recipient shall acknowledge the reception of the frame within the time specified by IEEE 802.15.4 (i.e. within 192 μs for non beacon-enabled networks).

The radio transceiver parses this bit during RX\_AACK mode and transmits an acknowledgment frame if necessary.

In TX\_aret mode this bit indicates if an acknowledgement frame is expected after transmitting a frame. If this is the case, the receiver waits for the acknowledgment frame, otherwise the TX\_aret transaction is finished.

**Bit 6:** the “Intra-PAN” subfield indicates that in a frame, where both, the destination and source addresses are present, the PAN-ID of the source address field is omitted. In RX\_AACK mode this bit is evaluated by the address filter logic of the radio transceiver.

**Bit [11:10]:** the “Destination Addressing Mode” subfield describes the format of the destination address of the frame. The values of the address modes are summarized in [Table 9-20 below](#) according to IEEE 802.15.4:

**Table 9-20.** Frame Control Field – Destination and Source Addressing Mode

| Frame Control Field Bit Assignments   |       | Description                                       |
|---|-------|---|
| Addressing Mode<br>b <sub>11</sub> b <sub>10</sub><br>b <sub>15</sub> b <sub>14</sub> | Value |   |
| 00  | 0     | PAN identifier and address fields are not present |
| 01  | 1     | Reserved  |
| 10  | 2     | Address field contains a 16-bit short address     |
| 11  | 3     | Address field contains a 64-bit extended address  |

If the destination address mode is either 2 or 3 (i.e. if the destination address is present), it always consists of a 16-bit PAN-ID first followed by either the 16-bit or 64-bit address as defined by the mode.

**Bit [13:12]:** the “Frame Version” subfield specifies the version number corresponding to the frame. These register bits are reserved in IEEE-802.15.4-2003.

This subfield shall be set to 0 to indicate a frame compatible with IEEE 802.15.4-2003 and 1 to indicate an IEEE 802.15.4-2006 frame. All other subfield values shall be reserved for future use.

The bit AACK\_FVN\_MODE of register CSMA\_SEED\_1 controls the RX\_AACK behavior of frame acknowledgements. This register determines if, depending on the Frame Version Number, a frame is acknowledged or not. This is necessary for backward compatibility to IEEE 802.15.4-2003 and for future use. Even if frame version numbers 2 and 3 are reserved, it can be handled by the radio transceiver. For details refer to ["CSMA\\_SEED\\_1 – Transceiver Acknowledgment Frame Control Register 2"](#) on [page 144](#).

See IEEE 802.15.4-2006, section 7.2.3 for details on frame compatibility.

**Table 9-21.** Frame Control Field – Frame Version Subfield

| Frame Control Field Bit Assignments              |       | Description                                   |
|--|-------|---|
| Frame Version<br>b <sub>13</sub> b <sub>12</sub> | Value |   |
| 00   | 0     | Frames are compatible with IEEE 802.15.4-2003 |
| 01   | 1     | Frames are compatible with IEEE 802.15.4-2006 |
| 10   | 2     | Reserved                                      |
| 11   | 3     | Reserved                                      |

**Bit [15:14]:** the “Source Addressing Mode” subfield, with similar meaning as “Destination Addressing Mode” (refer to [Table 9-20 above](#)).

The subfields of the FCF (Bits 0–2, 3, 6, 10–15) affect the address filter logic of the radio transceiver while executing a RX\_AACK operation (see ["RX\\_AACK\\_ON – Receive with Automatic ACK"](#) on [page 50](#)).

## 9.5.1.2.3 Frame Compatibility between IEEE 802.15.4-2003 and IEEE 802.15.4-2006

All unsecured frames according to IEEE 802.15.4-2006 are compatible with unsecured frames compliant with IEEE 802.15.4-2003 with two exceptions: a coordinator realignment command frame with the “Channel Page” field present (see IEEE 802.15.4-2006 7.3.8) and any frame with a MAC Payload field larger than *aMaxMACSafePayloadSize* octets.

Compatibility for secured frames is shown in the following table, which identifies the security operating modes for IEEE 802.15.4-2006.

**Table 9-22.** Frame Control Field – Security and Frame Version

| Frame Control Field Bit Assignments |  | Description  |
|-------------------------------------|--|--|
| Security Enabled<br>b <sub>3</sub>  | Frame Version<br>b <sub>13</sub> b <sub>12</sub> |  |
| 0                                   | 00   | No security. Frames are compatible between IEEE 802.15.4-2003 and IEEE 802.15.4-2006.                            |
| 0                                   | 01   | No security. Frames are not compatible between IEEE 802.15.4-2003 and IEEE 802.15.4-2006.                        |
| 1                                   | 00   | Secured frame formatted according to IEEE 802.15.4-2003. This frame type is not supported in IEEE 802.15.4-2006. |
| 1                                   | 01   | Secured frame formatted according to IEEE 802.15.4-2006  |

## 9.5.1.2.4 Sequence Number

The one-octet sequence number following the FCF identifies a particular frame, so that duplicated frame transmissions can be detected. While operating in RX\_ACK mode, the content of this field is copied from the frame to be acknowledged into the acknowledgment frame.

## 9.5.1.2.5 Addressing Fields

The addressing fields of the MPDU are used by the radio transceiver for address matching indication. The destination address (if present) is always first, followed by the source address (if present). Each address field consists of the Intra PAN-ID and a device address. If both addresses are present and the “Intra PAN-ID compression” subfield in the FCF is set to one, the source Intra PAN-ID is omitted.

Note that in addition to these general rules IEEE 802.15.4 further restricts the valid address combinations for the individual possible MAC frame types. For example the situation where both addresses are omitted (source addressing mode = 0 and destination addressing mode = 0) is only allowed for acknowledgment frames. The address filter in the radio transceiver has been designed to apply to IEEE 802.15.4 compliant frames. It can be configured to handle other frame formats and exceptions.

## 9.5.1.2.6 Auxiliary Security Header Field

The Auxiliary Security Header specifies information required for security processing and has a variable length. This field determines how the frame is actually protected (security level) and which keying material from the MAC security PIB is used (see IEEE 802.15.4-2006, 7.6.1). This field shall be present only if the Security Enabled

subfield b3 is set to one (see section "Frame Compatibility between IEEE 802.15.4-2003 and IEEE 802.15.4-2006" on page 71). For details of its structure see IEEE 802.15.4-2006, 7.6.2 Auxiliary security header.

### 9.5.1.2.7 MAC Service Data Unit (MSDU)

This is the actual MAC payload. It is usually structured according to the individual frame type. A description can be found in IEEE 802.15.4-2006, chapter 5.5.3.2.

### 9.5.1.2.8 MAC Footer (MFR) Fields

The MAC footer consists of a two-octet Frame Checksum (FCS). For details refer to the following section "Frame Check Sequence (FCS)" below.

## 9.5.2 Frame Check Sequence (FCS)

The Frame Check Sequence (FCS) is characterized by:

- Indicate bit errors based on a cyclic redundancy check (CRC) of 16 bit length;
- Uses International Telecommunication Union (ITU) CRC polynomial;
- Automatically evaluated during reception;
- Can be automatically generated during transmission.

### 9.5.2.1 Overview

The FCS is intended for use at the MAC layer to detect corrupted frames at a first level of filtering. It is computed by applying an ITU CRC polynomial to all transferred bytes following the length field (MHR and MSDU fields). The frame check sequence has a length of 16 bit and is located in the last two bytes of a frame (MAC footer, see Figure 9-16 on page 68).

The radio transceiver applies an FCS check on each received frame. The result of the FCS check is stored in bit RX\_CRC\_VALID of register PHY\_RSSI.

On transmit the radio transceiver generates and appends the FCS bytes during the frame transmission. This behavior can be disabled by setting the bit TX\_AUTO\_CRC\_ON = 0 in register TRX\_CTRL\_1.

### 9.5.2.2 CRC calculation

The CRC polynomial used in IEEE 802.15.4 networks is defined by

$$G_{16}(x) = x^{16} + x^{12} + x^5 + 1$$

The FCS shall be calculated for transmission using the following algorithm:

Let

$$M(x) = b_0x^{k-1} + b_1x^{k-2} + \dots + b_{k-2}x + b_{k-1}$$

be the polynomial representing the sequence of bits for which the checksum is to be computed. Multiply  $M(x)$  by  $x^{16}$  giving the polynomial

$$N(x) = M(x) \cdot x^{16}$$

Divide  $N(x)$  modulo 2 by the generator polynomial  $G_{16}(x)$  to obtain the remainder polynomial

$$R(x) = r_0x^{15} + r_1x^{14} + \dots + r_{14}x + r_{15}$$

The FCS field is given by the coefficients of the remainder polynomial,  $R(x)$ .



**Example:**

Consider a 5 octet ACK frame. The MHR field consists of

0100 0000 0000 0000 0101 0110.

The leftmost bit ( $b_0$ ) is transmitted first in time. The FCS is in this case

0010 0111 1001 1110.

The leftmost bit ( $r_0$ ) is transmitted first in time.

### 9.5.2.3 Automatic FCS generation

The automatic FCS generation is performed with register bit TX\_AUTO\_CRC\_ON = 1 (reset value). This allows the radio transceiver to autonomously compute the FCS. For a frame with a frame length specified as  $N$  ( $3 \leq N \leq 127$ ), the FCS is calculated on the first  $N-2$  octets in the Frame Buffer and the resulting FCS field is transmitted in place of the last two octets from the Frame Buffer.

If the automatic FCS generation of the radio transceivers is enabled, the Frame Buffer write access can be stopped right after MAC payload. There is no need to write FCS dummy bytes.

In RX\_AACK mode, when a received frame needs to be acknowledged, the FCS of the ACK frame is always automatically generated by the radio transceiver, independent of the TX\_AUTO\_CRC\_ON setting.

**Example:**

A frame transmission of length five with TX\_AUTO\_CRC\_ON set, is started with a Frame Buffer write access of five bytes (the last two bytes can be omitted). The first three bytes are used for FCS generation; the last two bytes are replaced by the internally calculated FCS.

### 9.5.2.4 Automatic FCS check

An automatic FCS check is applied on each received frame with a frame length  $N \geq 2$ . The bit RX\_CRC\_VALID of register PHY\_RSSI is set if the FCS of a received frame is valid. The register bit is updated when issuing a TRX24\_RX\_END interrupt and remains valid until a new frame reception causes the next TRX24\_RX\_END interrupt.

In RX\_AACK mode, the radio transceiver rejects the frame and the TRX24\_RX\_END interrupt is not issued if the FCS of the received frame is not valid.

In TX\_ARET mode, the FCS and the sequence number of an ACK are automatically checked. The ACK is not accepted if one of those is not correct.

## 9.5.3 Received Signal Strength Indicator (RSSI)

The Received Signal Strength Indicator is characterized by:

- Minimum RSSI level is -90 dBm (RSSI\_BASE\_VAL);
- Dynamic range is 81 dB;
- Minimum RSSI value is 0;
- Maximum RSSI value is 28.

### 9.5.3.1 Overview

The RSSI is a 5-bit value indicating the receive power in the selected channel in steps of 3 dB. No attempt is made to distinguish IEEE 802.15.4 signals from others. Only the

received signal strength is evaluated. The RSSI provides the basis for an ED measurement. See section "Energy Detection (ED)" below for details.

### 9.5.3.2 Reading RSSI

In Basic Operating Mode the RSSI value is valid in any receive state, and is updated every  $t_{TR25} = 2 \mu s$  to register PHY\_RSSI.

It is not recommended to read the RSSI value when using the Extended Operating Mode. The automatically generated ED value should then be used (see section "Energy Detection (ED)" below).

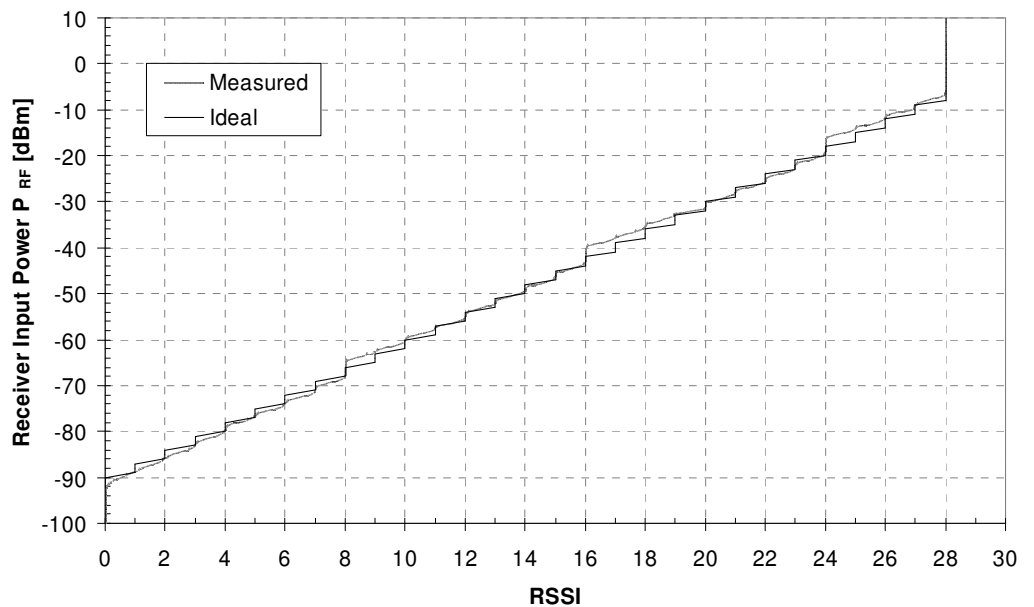
### 9.5.3.3 Data Interpretation

The RSSI value is a 5-bit value indicating the receive power in steps of 3 dB and with a range of 0- 28.

An RSSI value of 0 indicates a receiver RF input power of  $P_{RF} < -90$  dBm. For an RSSI value in the range of 1 to 28, the RF input power can be calculated as follows:

$$P_{RF} = \text{RSSI\_BASE\_VAL} + 3 \cdot (\text{RSSI} - 1) \text{ [dBm]}$$

**Figure 9-18.** Mapping between RSSI Value and Received Input Power



## 9.5.4 Energy Detection (ED)

The Energy Detection (ED) module is characterized by:

- 85 unique energy levels defined;
- 1 dB resolution.

### 9.5.4.1 Overview

The receiver ED measurement is used by the network layer as part of a channel selection algorithm. It is an estimation of the received signal power within the bandwidth of an IEEE 802.15.4 channel. No attempt is made to identify or decode signals on the channel. The ED value is calculated by averaging RSSI values over eight symbols (128  $\mu s$ ).

For High Data Rate Modes the automated ED measurement duration is reduced to 32  $\mu\text{s}$  as described in ["High Data Rate Modes" on page 93](#). The measurement period in these modes is still 128  $\mu\text{s}$  for manually initiated ED measurements as long as the receiver is in RX\_ON state.

## 9.5.4.2 Measurement Description

There are two ways to initiate an ED measurement:

- Manually, by writing an arbitrary value to register PHY\_ED\_LEVEL, or
- Automatically, after detection of a valid SHR of an incoming frame.

For manually initiated ED measurements the radio transceiver needs to be in one of the states RX\_ON or BUSY\_RX. The end of the ED measurement is indicated by a TRX24\_CCA\_ED\_DONE interrupt.

The automatic ED measurement is started if a SHR is detected. The end of the automatic measurement is not signaled by an interrupt.

The measurement result is stored after  $t_{TR26} = 140 \mu\text{s}$  (128  $\mu\text{s}$  measurement duration and processing delay) in register PHY\_ED\_LEVEL.

Thus by using Basic Operating Mode a valid ED value from the currently received frame is accessible 108  $\mu\text{s}$  after the TRX24\_RX\_START interrupt and remains valid until the next incoming frame generates a new TRX24\_RX\_START interrupt or until another ED measurement is initiated.

When using the Extended Operating Mode it is recommended to mask the TRX24\_RX\_START interrupt. Hence the interrupt cannot be used as timing reference. A successful frame reception is signaled by the TRX24\_RX\_END interrupt. The minimum time span between a TRX24\_RX\_END interrupt and a following SFD detection is  $t_{TR27} = 96 \mu\text{s}$  due to the length of the SHR. The ED value needs to be read within 224  $\mu\text{s}$  including the ED measurement time after the TRX24\_RX\_END interrupt. Otherwise it could be overwritten by the result of the next measurement cycle. This is important for time critical applications or if the TRX24\_RX\_START interrupt is not used to indicate the reception of a frame.

The values of the register PHY\_ED\_LEVEL are:

**Table 9-23.** Register Bit PHY\_ED\_LEVEL Interpretation

| PHY_ED_LEVEL  | Description                                      |
|---------------|--|
| 0xFF          | Reset value                                      |
| 0x00 ... 0x53 | ED measurement result of the last ED measurement |

Note: 1. It is not recommended to manually initiate an ED measurement when using the Extended Operating Mode.

## 9.5.4.3 Data Interpretation

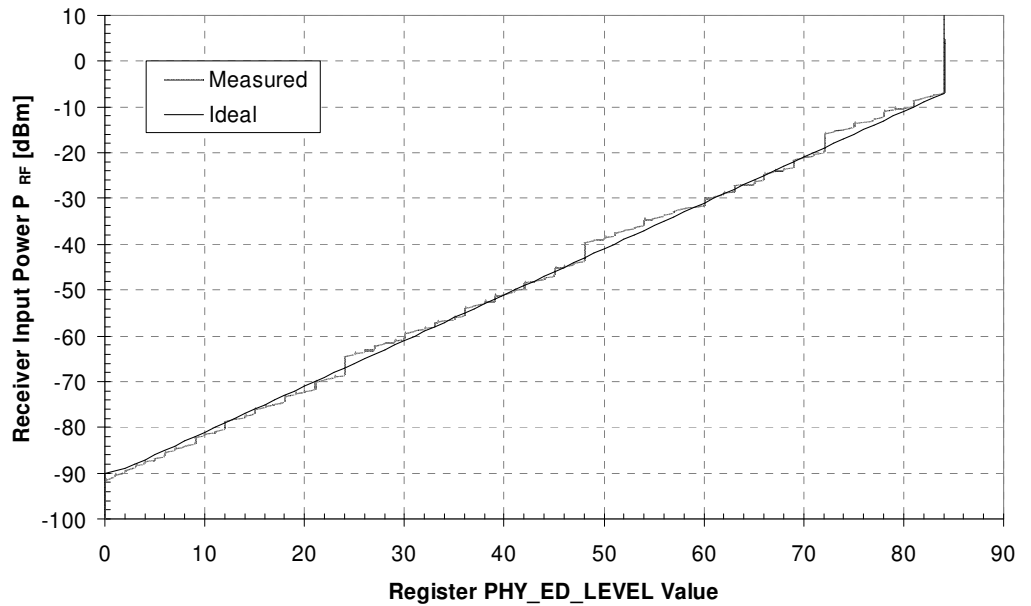
The PHY\_ED\_LEVEL is an 8-bit register. The ED value of the radio transceiver has a valid range from 0x00 to 0x53 with a resolution of 1 dB. All other values do not occur. A value of 0xFF indicates the reset value. A value of PHY\_ED\_LEVEL = 0 indicates that the measured energy is less than -90 dBm (see parameter RSSI\_BASE\_VAL in section ["Receiver Characteristics" on page 562](#)). Due to environmental conditions (temperature, voltage, semiconductor parameters etc.) the calculated ED value has a maximum tolerance of  $\pm 5$  dB, this is to be considered as constant offset over the measurement range.

An ED value of 0 indicates an RF input power of  $P_{RF} \leq -90$  dBm. For an ED value in the range of 0 to 83, the RF input power can be calculated as follows:



$$P_{RF} = -90 + ED \text{ [dBm]}$$

**Figure 9-19.** Mapping between values in PHY\_ED\_LEVEL and Received Input Power



#### 9.5.4.4 Interrupt Handling

The TRX24\_CCA\_ED\_DONE interrupt is issued at the end of a manually initiated ED measurement.

Note that an ED request should only be initiated in one of the receive states. Otherwise the radio transceiver generates a TRX24\_CCA\_ED\_DONE interrupt but no ED measurement was performed.

#### 9.5.5 Clear Channel Assessment (CCA)

The main features of the Clear Channel Assessment (CCA) module are:

- All 4 modes are available as defined by IEEE 802.15.4-2006 in section 6.9.9;
- Adjustable threshold for energy detection algorithm.

##### 9.5.5.1 Overview

A CCA measurement is used to detect a clear channel. Four modes are specified by IEEE 802.15.4-2006:

**Table 9-24.** CCA Mode Overview

| CCA Mode | Description  |
|----------|--|
| 1        | <i>Energy above threshold.</i><br>CCA shall report a busy medium upon detecting any energy above the ED threshold.   |
| 2        | <i>Carrier sense only.</i><br>CCA shall report a busy medium only upon the detection of a signal with the modulation and spreading characteristics of an IEEE 802.15.4 compliant signal. The signal strength may be above or below the ED threshold. |

| CCA Mode | Description   |
|----------|---|
| 0, 3     | <p><i>Carrier sense with energy above threshold.</i></p> <p>CCA shall report a busy medium using a logical combination of</p> <ul style="list-style-type: none"> <li>– Detection of a signal with the modulation and spreading characteristics of this standard and</li> <li>– Energy above the ED threshold.</li> </ul> <p>Where the logical operator may be configured as either OR (mode 0) or AND (mode 3).</p> |

### 9.5.5.2 Configuration and CCA Request

The CCA modes are configurable via register PHY\_CC\_CCA.

Using the Basic Operating Mode, a CCA request can be initiated manually by setting CCA\_REQUEST = 1 of register PHY\_CC\_CCA, if the radio transceiver is in any RX state. The current channel status (CCA\_STATUS) and the CCA completion status (CCA\_DONE) are accessible in register TRX\_STATUS.

The CCA evaluation is done over eight symbol periods and the result is accessible  $t_{TR28} = 140 \mu s$  (128  $\mu s$  measurement duration and processing delay) after the request. The end of a manually initiated CCA measurement is indicated by a TRX24\_CCA\_ED\_DONE interrupt.

The sub-register CCA\_ED\_THRES of register CCA\_THRES defines the received power threshold of the “energy above threshold” algorithm. The threshold is calculated by  $RSSI\_BASE\_VAL + 2 \cdot CCA\_ED\_THRES$  [dBm]. Any received power above this level is interpreted as a busy channel.

Note that it is not recommended to manually initiate a CCA measurement when using the Extended Operating Mode.

### 9.5.5.3 Data Interpretation

The current channel status (CCA\_STATUS) and the CCA completion status (CCA\_DONE) are accessible in register TRX\_STATUS. Note, register bits CCA\_DONE and CCA\_STATUS are cleared in response to a CCA\_REQUEST.

The completion of a measurement cycle is indicated by CCA\_DONE = 1. If the radio transceiver detected no signal (idle channel) during the measurement cycle, the CCA\_STATUS bit is set to 1.

When using the “energy above threshold” algorithm, any received power above CCA\_ED\_THRES level is interpreted as a busy channel. The “carrier sense” algorithm reports a busy channel when detecting an IEEE 802.15.4 signal above the RSSI\_BASE\_VAL (see parameter RSSI\_BASE\_VAL in ["Transceiver Electrical Characteristics" on page 560](#)). The radio transceiver is also able to detect signals below this value, but the detection probability decreases with the signal power.

### 9.5.5.4 Interrupt Handling

The TRX24\_CCA\_ED\_DONE interrupt is issued at the end of a manually initiated CCA measurement.

Note: A CCA request should only be initiated in the receive states of Basic Operating Mode. Otherwise the radio transceiver generates a TRX24\_CCA\_ED\_DONE interrupt and sets the register bit CCA\_DONE = 1 even if no CCA measurement was performed.

### 9.5.5.5 Measurement Time

The response time for a manually initiated CCA measurement depends on the receiver state.

In RX\_ON state the CCA measurement is done over eight symbol periods and the result is accessible 140  $\mu$ s after the request (see section "Configuration and CCA Request" on page 77).

In BUSY\_RX state the CCA measurement duration depends on the CCA Mode and the CCA request relative to the reception of an SHR. The end of the CCA measurement is indicated by a TRX24\_CCA\_ED\_DONE interrupt. The variation of a CCA measurement period in BUSY\_RX state is described in Table 9-25 below.

**Table 9-25. CCA Measurement Period and Access in BUSY\_RX state**

| CCA Mode | Request within ED measurement <sup>(1)</sup>                             | Request after ED measurement                       |
|----------|--|--|
| 1        | <i>Energy above threshold.</i>   |  |
|          | CCA result is available after finishing automated ED measurement period. | CCA result is immediately available after request. |
| 2        | <i>Carrier sense only.</i>   |  |
|          | CCA result is immediately available after request.                       |  |
| 3        | <i>Carrier sense with Energy above threshold (AND).</i>                  |  |
|          | CCA result is available after finishing automated ED measurement period. | CCA result is immediately available after request. |
| 0        | <i>Carrier sense with Energy above threshold (OR).</i>                   |  |
|          | CCA result is available after finishing automated ED measurement period. | CCA result is immediately available after request. |

Note: 1. After receiving the SHR an automated ED measurement is started with a length of 8 symbol periods (PSDU rate 250 kb/s), refer to section "Energy Detection (ED)" on page 74. This automated ED measurement must be finished to provide a result for the CCA measurement. Only one automated ED measurement per frame is performed.

It is recommended to perform CCA measurements in RX\_ON state only. To avoid accidental switching to BUSY\_RX state the SHR detection can be disabled by setting bit RX\_PDT\_DIS of register RX\_SYN. Refer to section "Receiver (RX)" on page 80 for details. The receiver remains in RX\_ON state to perform a CCA measurement until the register bit RX\_PDT\_DIS is set back to continue the frame reception. In this case the CCA measurement duration is 8 symbol periods.

### 9.5.6 Link Quality Indication (LQI)

According to IEEE 802.15.4 the LQI measurement is a characterization of the strength and/or quality of a received packet. The measurement may be implemented using receiver ED, a signal-to-noise ratio estimation or a combination of these methods. The use of the LQI result by the network or application layers is not specified in this standard. LQI values shall be an integer ranging from 0x00 to 0xFF. The minimum and maximum LQI values (0x00 and 0xFF) should be associated with the lowest and highest quality compliant signals, respectively, and LQI values in between should be uniformly distributed between these two limits.

#### 9.5.6.1 Overview

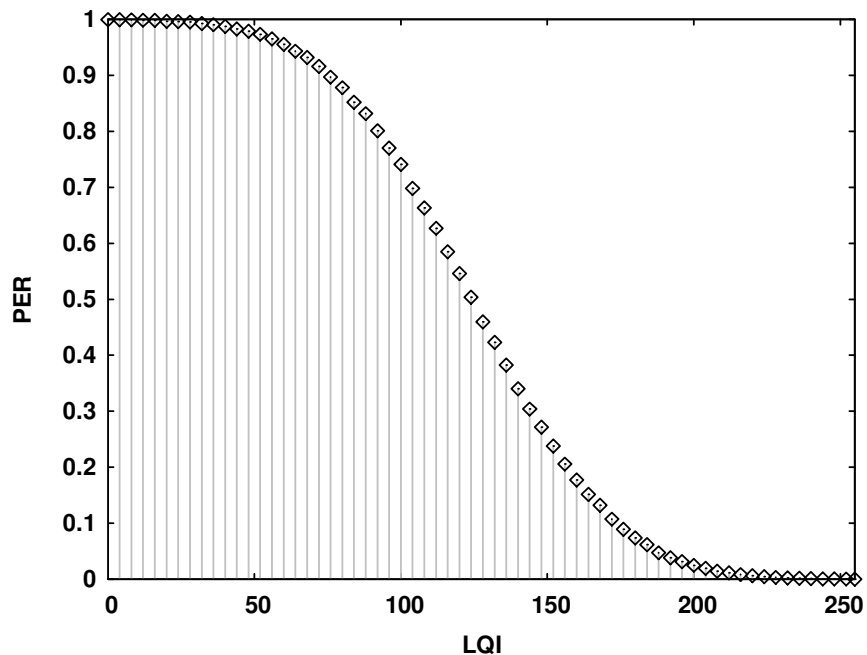
The LQI measurement of the radio transceiver is implemented as a measure of the link quality which can be described with the packet error rate (PER) of this link. A LQI value

can be associated with an expected packet error rate. The PER is the ratio of erroneous received frames to the total number of received frames. A PER of zero indicates no frame error whereas at a PER of one no frame was received correctly.

The radio transceiver uses correlation results of multiple symbols within a frame to determine the LQI value. This is done for each received frame. The minimum frame length for a valid LQI value is two octets PSDU. LQI values are integers ranging from 0 to 255.

The following figure shows an example of a conditional packet error rate when receiving a certain LQI value.

**Figure 9-20.** Conditional Packet Error Rate versus LQI



The values are taken from received frames of PSDU length of 20 octets on transmission channels with reasonable low multipath delay spreads. If the transmission channel characteristic has a higher multipath delay spread than assumed in the example, the PER is slightly higher for a certain LQI value. Since the packet error rate is a statistical value, the PER shown in [Figure 9-20 above](#) is based on a huge number of transactions. A reliable estimation of the packet error rate cannot be based on a single or a small number of LQI values.

### 9.5.6.2 Request a LQI Measurement

The LQI byte can be obtained after a frame has been received by the radio transceiver. One additional byte is automatically attached to the received frame containing the LQI value. This information can also be read via Frame Buffer read access, see ["User accessible Frame Content" on page 84](#). The LQI byte can be read after the TRX24\_RX\_END interrupt.

### 9.5.6.3 Data Interpretation

According to IEEE 802.15.4 a low LQI value is associated with low signal strength and/or high signal distortions. Signal distortions are mainly caused by interference signals and/or multipath propagation. High LQI values indicate a sufficient high signal power and low signal distortions.

Note that the received signal power as indicated by the received signal strength indication (RSSI) value or energy detection (ED) value of the radio transceiver do not characterize the signal quality and the ability to decode a signal.

As an example, a received signal with an input power of about 6 dB above the receiver sensitivity likely results in a LQI value close to 255 for radio channels with very low signal distortions. For higher signal power the LQI value becomes independent of the actual signal strength. This is because the packet error rate for these scenarios tends towards zero and further increased signal strength i.e. increasing the transmission power does not decrease the error rate any further. In this case RSSI or ED can be used to evaluate the signal strength and the link margin.

ZigBee networks often require the identification of the “best” routing between two nodes. Both the LQI and the RSSI/ED can be used for this, dependent on the optimization criteria. If a low packet error rate (corresponding to high throughput) is the optimization criteria then the LQI value should be taken into consideration. If a low transmission power or the link margin is the optimization criteria then the RSSI/ED value is also helpful.

Combinations of LQI, RSSI and ED are possible for routing decisions. As a rule of thumb RSSI and ED values are useful to differentiate between links with high LQI values. Transmission links with low LQI values should be discarded for routing decisions even if the RSSI/ED values are high. This is because RSSI and ED do not say anything about the possibility to decode a signal. It is only an information about the received signal strength whereas the source can be an interferer.

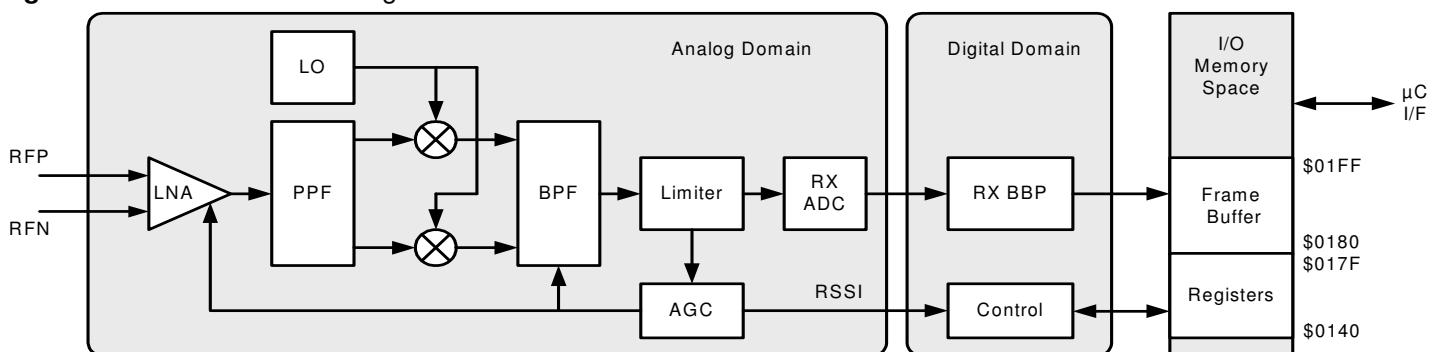
## 9.6 Module Description

### 9.6.1 Receiver (RX)

#### 9.6.1.1 Overview

The receiver is split into an analog radio front-end and a digital base band processor (RX BBP) according to the following figure. The digital base band processor and the control engine are connected to the Frame Buffer and control registers which are located in the microcontroller I/O memory space (see "I/O Memory" on page 28 and "Transceiver to Microcontroller Interface" on page 34 ).

**Figure 9-21.** Receiver Block Diagram



The differential RF signal is amplified by a low noise amplifier (LNA), filtered (PPF) and down converted to an intermediate frequency by a mixer. Channel selectivity is performed using an integrated band pass filter (BPF). A limiting amplifier (Limiter) provides sufficient gain to overcome the DC offset of the succeeding analog-to-digital



converter (RX ADC) and generates a digital RSSI signal. The ADC output signal is sampled and processed further by the digital base band receiver (RX BBP).

The RX BBP performs additional signal filtering and signal synchronization. The frequency offset of each frame is calculated by the synchronization unit and is used during the remaining receive process to correct the offset. The receiver is designed to handle frequency and symbol rate deviations up to  $\pm 120$  ppm caused by combined receiver and transmitter deviations. For details refer to chapter ["General RF Specifications" on page 561](#). Finally the signal is demodulated and the data are stored in the Frame Buffer.

In Basic Operating Mode (see ["Basic Operating Mode" on page 38](#)), the reception of a frame is indicated by a TRX24\_RX\_START interrupt. Accordingly its end is signaled by a TRX24\_RX\_END interrupt. Based on the quality of the received signal a link quality indicator (LQI) is calculated and appended to the frame. For details refer to. Additional signal processing is applied to the frame data to provide further status information like ED value (register PHY\_ED\_LEVEL) and FCS correctness (register PHY\_RSSI).

Beyond these features the Extended Operating Mode of the radio transceiver supports address filtering and pending data indication. For details refer to ["Extended Operating Mode" on page 47](#).

### 9.6.1.2 Frame Receive Procedure

The frame receive procedure including the radio s setup for reception and reading PSDU data from the Frame Buffer is described in ["Frame Receive Procedure" on page 90](#).

### 9.6.1.3 Configuration

In Basic Operating Mode the receiver is enabled by writing command RX\_ON to the TRX\_CMD bits of register TRX\_STATE in the states TRX\_OFF or PLL\_ON. Similarly in Extended Operating Mode the receiver is enabled for RX\_AACK operation from the states TRX\_OFF or PLL\_ON by writing the command RX\_AACK\_ON. There is no additional configuration required to receive IEEE 802.15.4 compliant frames when using the Basic Operating Mode. However, the frame reception in the Extended Operating Mode requires further register configurations. For details refer to ["Extended Operating Mode" on page 47](#).

The receiver has an outstanding sensitivity performance of -100 dBm. At certain environmental conditions or for High Data Rate Modes (see ["High Data Rate Modes" on page 93](#)) it may be useful to manually decrease this sensitivity. This is achieved by adjusting the detector threshold of the synchronization header using the RX\_PDT\_LEVEL bits of register RX\_SYN. Received signals with a RSSI value below the threshold do not activate the demodulation process.

Furthermore, it may be useful to protect a received frame against overwriting by subsequent received frames.

A Dynamic Frame Buffer Protection is enabled with register bit RX\_SAFE\_MODE (TRX\_CTRL\_2) set (refer to ["Dynamic Frame Buffer Protection" on page 99](#)). After a frame has been received, the buffer is protected for new incoming frames and the receiver remains in RX\_ON or RX\_AACK\_ON state until the RX\_SAFE\_MODE bit is cleared by the controller. The Frame Buffer content is only protected if the FCS is valid.

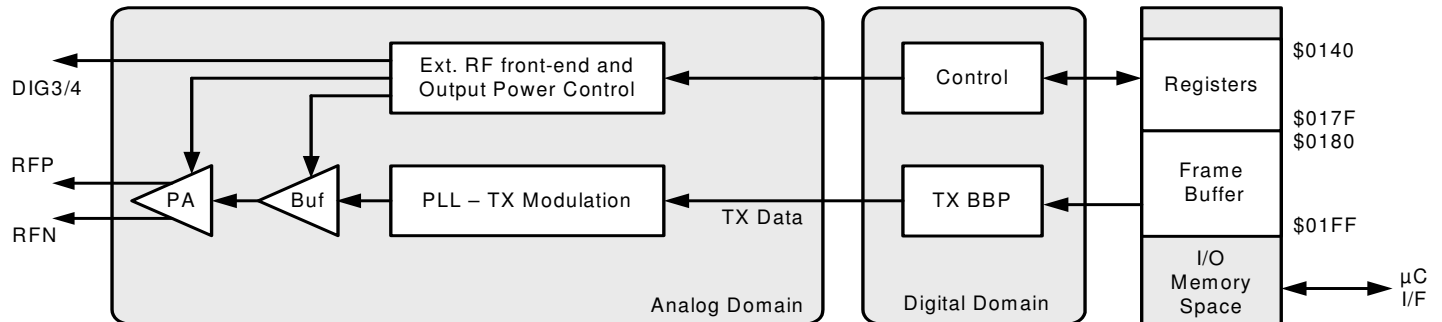
A Static Frame Buffer Protection is enabled with bit RX\_PDT\_DIS of register RX\_SYN set. The receiver remains in RX\_ON or RX\_AACK\_ON state and no further SHR is detected until the register bit RX\_PDT\_DIS is set back.

## 9.6.2 Transmitter (TX)

### 9.6.2.1 Overview

The transmitter consists of a digital base band processor (TX BBP) and an analog front end as shown in the following figure.

**Figure 9-22.** Transmitter Block Diagram



The TX BBP reads the frame data from the Frame Buffer and performs the bit-to-symbol and symbol-to-chip mapping as specified by IEEE 802.15.4 in section 6.5.2. The O-QPSK modulation signal is generated and fed into the analog radio front end.

The fractional-N frequency synthesizer (PLL) converts the baseband transmit signal to the RF signal which is amplified by the power amplifier (PA). The PA output is internally connected to bidirectional differential antenna pins (RFP, RFN) so that no external antenna switch is needed.

### 9.6.2.2 Frame Transmit Procedure

The frame transmit procedure including writing PSDU data in the Frame Buffer and initiating a transmission is described in section "Frame Transmit Procedure" on page 91. The controller must ensure to provide valid frame data before starting the frame transmission. For save operation, it is recommended to write the complete frame into the Frame Buffer before starting the frame transmission.

### 9.6.2.3 Configuration

The maximum output power of the transmitter is typically +3.5 dBm. The output power can be configured via the TX\_PWR bits of register PHY\_TX\_PWR. The output power of the transmitter can be controlled over a 20 dB range.

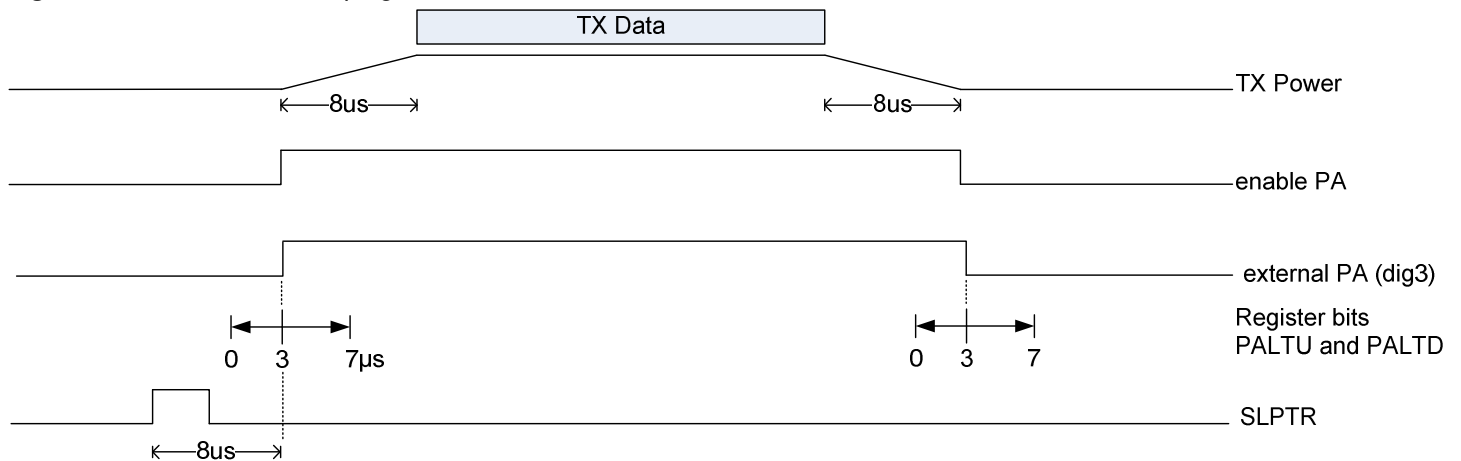
A transmission can be started from PLL\_ON or TX\_ARET\_ON state by writing '1' to bit SLPTR of the TRXPR register or by writing TX\_START command to the TRX\_CMD bits of register TRX\_STATE.

### 9.6.2.4 TX Power Ramping

To optimize the TX output power spectral density (PSD) the TX may be controlled by register PHY\_TX\_PWR and PARCR. The PA ramps up prior to TX data sent and ramps down after the TX data are completed. The signal sent during PA ramp up/down process is not modulated. The PLL frequency (+500kHz or -500kHz relative to carrier frequency) may be selected, separate for the PA ramp up and down process.

A timing example using default settings illustrates the sequence in the next figure. In this example the transmission is initiated with the rising edge of the SLPTR bit. The modulation starts 16 µs after SLPTR.

**Figure 9-23. TX Power Ramping**



When using an external RF front-end (refer to ["RX/TX Indicator" on page 97](#)) it may be required to adjust the startup time of the external PA relative to the internal building blocks to optimize the overall PSD. This can be achieved by PARCR register in the bits PALTU/PALTD.

### 9.6.2.5 TX Spectrum side lobe suppression

The output signal TX may be filtered to suppress spectral side lobes. This might be necessary if an external PA is used. By setting bit PLL\_TX\_FLT of register TRX\_CTRL\_1, the TX signal will be filtered. Filtering has influence to signal quality, thus EVM of the transmit signal slightly degrades (refer to [Transmitter Characteristics on page 561](#)).

## 9.6.3 Frame Buffer

The radio transceiver contains a 128 byte dual port SRAM. One port of the frame buffer is directly connected to the controller I/O space. Therefore random access to single frame bytes is possible. The other port connects to the internal transmitter and receiver modules. Both ports are independent and simultaneously accessible for data communication.

The Frame Buffer uses the controller I/O address space 0x180 to 0x1FF for RX and TX operation of the radio transceiver and can keep one IEEE 802.15.4 RX or one TX frame of maximum length at a time.

Frame Buffer access is only possible if the radio transceiver is enabled (PRTRX24 bit in the Power Reduction Register PRR1 is not set) and not in SLEEP state.

### 9.6.3.1 Data Management

Data in the Frame Buffer (received data or data to be transmitted) remain valid as long as:

- No new frame or other data are written into the buffer;
- No new frame is received (in any BUSY\_RX state);
- No state change into radio transceiver SLEEP state is made;
- No radio transceiver RESET (see bit TRXRST in ["TRXPR – Transceiver Pin Register" on page 197](#)) or system reset took place;

- Bit PRTRX24 in register "PRR1 – Power Reduction Register 1" on page 196 is not set;

By default there is no protection of the Frame Buffer against overwriting. If a frame is received during a Frame Buffer read access of a previously received frame, the stored data might be overwritten.

Finally the application software should check the transferred frame data integrity by a FCS check.

The state of the radio transceiver should be changed to PLL\_ON state after reception to protect the Frame Buffer content against overwriting with new, incoming frames. This can be achieved by writing immediately the command PLL\_ON to the TRX\_CMD bits of register TRX\_STATE after receiving the frame indicated by a TRX24\_RX\_END interrupt.

Alternatively Dynamic Frame Buffer Protection can be used to protect received frames against overwriting. For details refer to "Dynamic Frame Buffer Protection" on page 99.

Both procedures do not protect the Frame Buffer from overwriting by the application software.

In Extended Operating Mode during TX\_aret operation (see "TX\_aret\_ON – Transmit with Automatic Retry and CSMA-CA Retry" on page 63) the radio transceiver switches to receive if an acknowledgement of a previously transmitted frame was requested. During this period received frames are evaluated but not stored in the Frame Buffer. This allows the radio transceiver to wait for an acknowledgement frame and retry the frame transmission without writing the frame data to the Frame Buffer again.

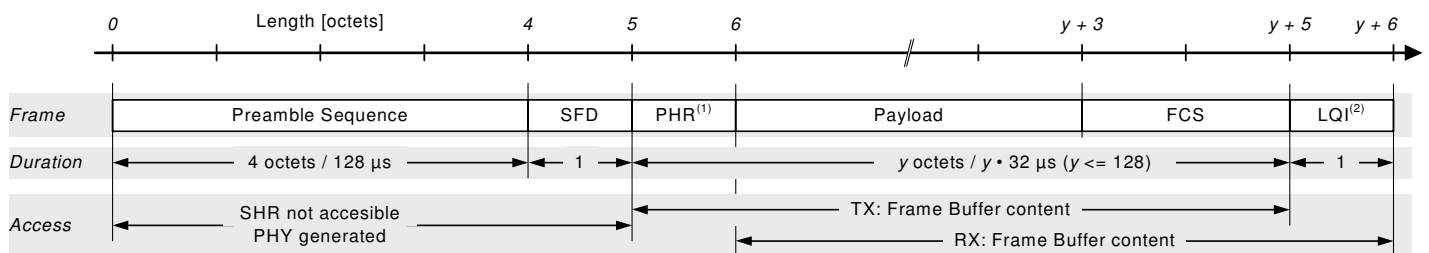
A radio transceiver state change except a transition to radio transceiver SLEEP state or a radio transceiver RESET does not affect the Frame Buffer content. The Frame Buffer is powered off and the stored data gets lost if the radio transceiver is forced into radio transceiver SLEEP state.

Access conflicts may occur when reading and writing data simultaneously at the two independent ports of the Frame Buffer TX/RX BBP and Controller interface.

### 9.6.3.2 User accessible Frame Content

The radio transceiver supports an IEEE 802.15.4 compliant frame format as shown in the following figure.

**Figure 9-32. Transceiver Frame Structure**



- Notes:
1. Stored into Frame Buffer for TX operation
  2. Stored into Frame Buffer during frame reception.

A frame comprises two sections. The radio transceiver internally generated SHR field and the user accessible part are stored in the Frame Buffer. The SHR contains the

preamble and the SFD field. The variable frame section contains the PHR and the PSDU including the FCS (see "Overview" on page 72).

The Frame Buffer content differs depending on the direction of the communication (receive or transmit). To access the data follow the procedures described in "Radio Transceiver Usage" on page 90.

During frame reception, the payload and the link quality indicator (LQI) value of a successfully received frame are stored in the Frame Buffer. The radio transceiver appends the LQI value to the frame data after the last received octet. Information of the frame length is not stored in the Frame Buffer. The frame length information is located in register TST\_RX\_LENGTH.

The SHR (except the SFD used to generate the last octet of the SHR) can generally not be read by the application software.

The PHR and the PSDU need to be stored in the Frame Buffer for frame transmission. The PHR byte is the first byte in the Frame Buffer (address 0x180) and must be calculated based on the PHR and the PSDU. The maximum frame size supported by the radio transceiver is 128 bytes. If the TX\_AUTO\_CRC\_ON bit is set in the register TRX\_CTRL\_1 – Transceiver Control Register 1, the FCS field of the PSDU is replaced by the automatically calculated FCS during frame transmission. There is no need to write the FCS field when using the automatic FCS generation.

Manipulating individual bytes of the Frame Buffer is simply possible by accessing the appropriate buffer address.

The minimum frame length supported by the radio transceiver for non IEEE 802.15.4 compliant frames is one byte (Frame Length Field + 1 byte of data).

## 9.6.4 Battery Monitor (BATMON)

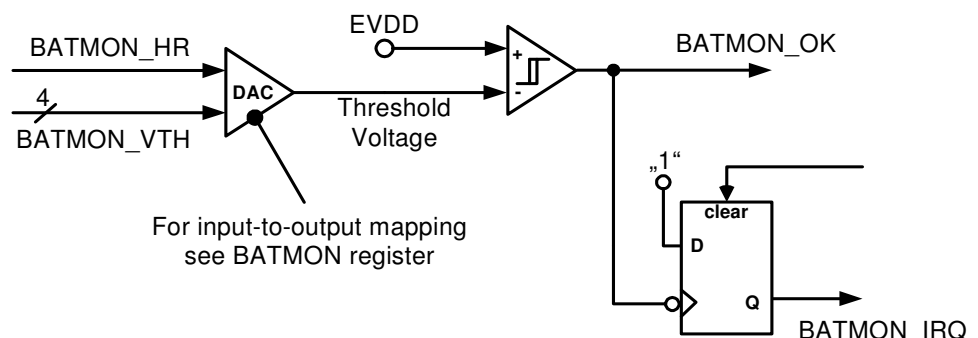
The main features of the battery monitor are:

- Configurable voltage threshold range from 1.7V to 3.675V
- Generates an interrupt when supply voltage drops below the threshold

### 9.6.4.1 Overview

The battery monitor (BATMON) detects and indicates a low supply voltage of EVDD. This is done by comparing the voltage of EVDD with a configurable, internal threshold voltage. A simplified schematic of the BATMON with the most important input and output signals is shown in the following figure.

**Figure 9-25.** Simplified Schematic of BATMON



#### 9.6.4.2 Configuration

The Battery Monitor can be configured using the BATMON register. Register subfield BATMON\_VTH sets the threshold voltage. It is configurable with a resolution of 75 mV in the upper voltage range (BATMON\_HR = 1) and with a resolution of 50 mV in the lower voltage range (BATMON\_HR = 0).

#### 9.6.4.3 Data Interpretation

The bit BATMON\_OK of register BATMON monitors the current value of the battery voltage:

- If BATMON\_OK = 0 then the battery voltage is lower than the threshold voltage;
- If BATMON\_OK = 1 then the battery voltage is higher than the threshold voltage;

The value BATMON\_OK should be read out to verify the current supply voltage value after setting a new threshold.

Note: The battery monitor is inactive during SLEEP states. Refer to status register TRX\_STATUS for details.

#### 9.6.4.4 Interrupt Handling

A supply voltage drop below the configured threshold value is indicated by the BAT\_LOW interrupt. The BAT\_LOW status bit as well as the BATLOW\_EN bit is located in the BATMON register. If BATLOW\_EN = 0, no IRQ is issued, but the status flag is set if the battery low event occurs.

The interrupt is only issued if BATMON\_OK changes from 1 to 0 and the event is stored until the IRQ handler is called or the BAT\_LOW IRQ is cleared manually by writing '1' to the BAT\_LOW status flag.

No interrupt is generated when:

- The battery voltage is below the default 1.8V threshold at power up (BATMON\_OK was never 1) or
- A new threshold is set which is still above the current supply voltage (BATMON\_OK remains 0).

Noise or temporary voltage drops may generate unwanted interrupts when the battery voltage is close to the programmed threshold voltage. To avoid this:

- Disable the BAT\_LOW interrupt with the BATLOW\_EN Bit in the BATMON register and treat the battery as empty or
- Set a lower threshold value.

### 9.6.5 Crystal Oscillator (XOSC)

The main features of the crystal oscillator are:

- Amplitude controlled 16 MHz generation;
- 215  $\mu$ s typical settling time after leaving SLEEP state;
- Configurable trimming with a capacitance array;

#### 9.6.5.1 Overview

The crystal oscillator generates the reference frequency for the radio transceiver. All other internally generated frequencies of the radio transceiver are derived from this unique frequency. The overall system performance is therefore critically determined by the accuracy of the crystal reference frequency. The external components of the crystal

oscillator should be selected carefully and the related board layout should be done with caution as described in section "Application Circuits" on page 538.

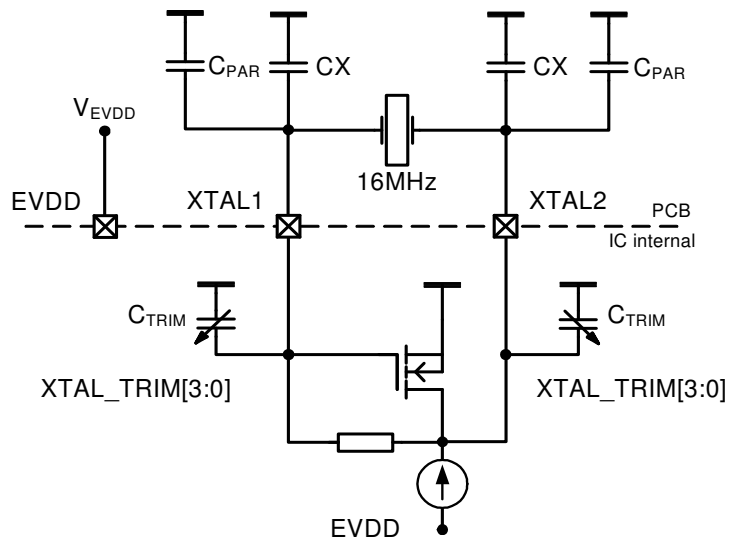
The register XOSC\_CTRL provides access to the control signals of the oscillator. Two operating modes are supported. It is recommended to use the integrated oscillator setup as described in Figure 9-26 below. Nevertheless a reference frequency can be fed to the internal circuitry by using an external clock reference as shown in Figure 9-27 on page 88.

### 9.6.5.2 Integrated Oscillator Setup

The output frequency of the internal oscillator depends on the load capacitance between the crystal pins XTAL1 and XTAL2. The total load capacitance  $C_L$  must be equal to the specified load capacitance of the crystal itself. It consists of the external capacitors CX and parasitic capacitances connected to the XTAL nodes.

The following figure shows all parasitic capacitances, such as PCB stray capacitances and the pin input capacitance summarized to  $C_{PAR}$ .

**Figure 9-26.** Simplified XOSC Schematic with External Components



Additional internal trimming capacitors  $C_{TRIM}$  are available. Any value in the range from 0 pF to 4.5 pF with a 0.3 pF resolution is selectable using XTAL\_TRIM of register XOSC\_CTRL. To calculate the total load capacitance, the following formula can be used

$$C_L = 0.5 \cdot (CX + C_{TRIM} + C_{PAR}).$$

The trimming capacitors provide the possibility to reduce frequency deviations caused by variations of the production process or by tolerances of external components. Note that the oscillation frequency can only be reduced by increasing the trimming capacitance. The frequency deviation caused by one step of  $C_{TRIM}$  decreases with increasing values of the crystal load capacitor.

An amplitude control circuit is included to ensure stable operation under different operating conditions and for different crystal types. Enabling the crystal oscillator after leaving SLEEP state causes a slightly higher current during the amplitude build-up phase to guarantee a short start-up time. The current is reduced to the amount



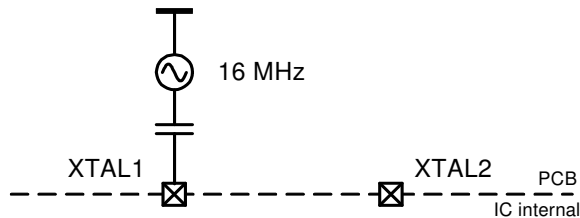
necessary for a robust oscillation during stable operation. This also keeps the drive level of the crystal low.

Crystals with a higher load capacitance are generally less sensitive to parasitic pulling effects caused by variations of external components or board and circuit parasitics. On the other hand a larger crystal load capacitance results in a longer start-up time and a higher steady state current consumption.

### 9.6.5.3 External Reference Frequency Setup

When using an external reference frequency, the signal must be connected to pin XTAL1 as indicated in [Figure 9-27 below](#) and the bits XTAL\_MODE of register XOSC\_CTRL need to be set to the external oscillator mode. The oscillation peak-to-peak amplitude shall be between 100 mV and 500 mV, the optimum range is between 400 mV and 500 mV. Pin XTAL2 should not be wired

**Figure 9-27.** Setup for Using an External Frequency Reference



## 9.6.6 Frequency Synthesizer (PLL)

The main features of the phase-locked loop are:

- Generate RX/TX frequencies for all 2.4 GHz channels of IEEE 802.15.4;
- Autonomous calibration loops for stable operation within the operating range;
- Two PLL-interrupts for status indication;
- Fast PLL settling to support frequency hopping;

### 9.6.6.1 Overview

The PLL generates the RF frequencies for the radio transceiver. During receive operation the frequency synthesizer works as a local oscillator for the receive frequency of the radio transceiver. During transmit operation the voltage-controlled oscillator (VCO) is directly modulated to generate the RF transmit signal. The frequency synthesizer is implemented as a fractional-N PLL.

Two calibration loops ensure correct PLL functionality within the specified operating limits.

### 9.6.6.2 Frequency Agility

When the PLL is enabled during state transition from TRX\_OFF to PLL\_ON the settling time is typically  $t_{TR4} = 110 \mu s$  including the settling time of the analog voltage regulator (AVREG) and the PLL self calibration (refer to [Table 9-9 on page 46](#)Table 9-9). A lock of the PLL is indicated with a TRX24\_PLL\_LOCK interrupt.

Switching between 2.4 GHz ISM band channels in PLL\_ON or RX\_ON states is typically done within  $t_{TR20} = 11 \mu s$ . This makes the radio transceiver highly suitable for frequency hopping applications.



The PLL frequency is changed to the transmit frequency within  $t_{TR23} = 16 \mu s$  after starting the transmit procedure and before starting the transmission. After the transmission the PLL settles back to the receive frequency within  $t_{TR24} = 32 \mu s$ . This frequency step does not generate a TRX24\_PLL\_LOCK or TRX24\_PLL\_UNLOCK interrupt within these time spans.

### 9.6.6.3 Calibration Loops

Due to temperature, supply voltage and part-to-part variations of the radio transceiver the VCO characteristics diverge. Two automated control loops are implemented to ensure a stable operation: center frequency (CF) tuning and delay cell (DCU) calibration. Both calibration loops are initiated automatically when the PLL is enabled during state transition from TRX\_OFF to PLL\_ON. The center frequency calibration is additionally initiated when the PLL changes to a center frequency of another channel.

It is recommended to initiate the calibration loops manually if the PLL operates for a long time on the same channel e.g. more than 5 min or the operating temperature changes significantly. Both calibration loops can be initiated manually by setting PLL\_CF\_START = 1 of register PLL\_CF and PLL\_DCU\_START = 1 of register PLL\_DCU. The device must be in PLL\_ON or RX\_ON state to start the calibration. The completion of the center frequency tuning is indicated by a TRX24\_PLL\_LOCK interrupt.

Both calibration loops may be run simultaneously.

### 9.6.6.4 Interrupt Handling

Two different interrupts indicate the PLL status. The TRX24\_PLL\_LOCK interrupt indicates that the PLL has locked. The TRX24\_PLL\_UNLOCK interrupt indicates an unexpected unlock condition.

A TRX24\_PLL\_LOCK interrupt is supposed to occur in the following situations:

- State change from TRX\_OFF to PLL\_ON / RX\_ON / RX\_AACK\_ON / TX\_ARET\_ON;
- Channel change in states PLL\_ON / RX\_ON / RX\_AACK\_ON / TX\_ARET\_ON;

Any other occurrences of PLL interrupts indicate erroneous behavior and require checking of the actual device status.

The state transition from BUSY\_TX to PLL\_ON after successful transmission does not generate a TRX24\_PLL\_LOCK interrupt within the settling period.

If a TRX24\_PLL\_UNLOCK interrupt occurs while the device is receiving/transmitting a frame the associated interrupts (TRX24\_RX\_END, TRX24\_TX\_END) will not happen.

### 9.6.6.5 RF Channel Selection

The PLL is designed to support 16 channels in the 2.4 GHz ISM band with channel spacing of 5 MHz according to IEEE 802.15.4. The center frequency of these channels is defined as follows:

$$F_c = 2405 + 5(k - 11) \text{ in [MHz], for } k = 11, 12 \dots 26$$

where  $k$  is the channel number.

The channel  $k$  is selected by the CHANNEL bits of register PHY\_CC\_CCA (see ["PHY\\_CC\\_CCA – Transceiver Clear Channel Assessment \(CCA\) Control Register" on page 120](#)).

Additionally, the PLL supports all frequencies from 2322 MHz to 2527 MHz with 500 kHz frequency spacing. The frequency is selected by CC\_BAND (see ["CC\\_CTRL\\_1 – Channel Control Register 1" on page 135](#)) and CC\_NUMBER (see ["CC\\_CTRL\\_0 – Channel Control Register 0" on page 135](#)).

Table 9-26 shows the settings of the register bits CC\_BAND and CC\_NUMBER.

**Table 9-26.** Frequency Bands and Numbers

| CC_BAND <sup>(1)</sup> | CC_NUMBER   | Description   |
|------------------------|-------------|---|
| 0x0                    | Not used    | Channels according to IEEE 802.15.4; frequency selected by register bits CHANNEL (register 0x08, PHY_CC_CCA). |
| 0x1, ... , 0x7         | 0x00 – 0xFF | reserved  |
| 0x8                    | 0x00 – 0x1F | reserved  |
| 0x8                    | 0x20 – 0xFF | 2322 MHz – 2433.5 MHz<br>$F_c \text{ [MHz]} = 2306 + 0.5 \cdot \text{CC\_NUMBER}$                             |
| 0x9                    | 0x00 – 0xBA | 2434 MHz – 2527 MHz.<br>$F_c \text{ [MHz]} = 2434 + 0.5 \cdot \text{CC\_NUMBER}$                              |
| 0x9                    | 0xBB – 0xFF | reserved  |
| 0xA, ... , 0xF         | 0x00 – 0xFF | reserved  |

Notes: 1. CC\_CTRL\_0 and CCTRL\_1 form a combined 16 bit register. Changed CC\_BAND values in register CC\_CTRL\_1 are effective after writing to register CC\_CTRL\_0.

## 9.6.7 Automatic Filter Tuning (FTN)

The FTN is incorporated to compensate device tolerances for temperature, supply voltage variations as well as part-to-part variations of the radio transceiver. The filter-tuning result is used to correct the transfer function of the analog baseband filter and the time constant of the PLL loop-filter (refer to ["General Circuit Description" on page 33](#)).

An FTN calibration cycle is initiated automatically when entering the radio transceiver TRX\_OFF state from the SLEEP or RESET state.

Although receiver and transmitter are very robust against these variations, it is recommended to initiate the FTN manually if the radio transceiver does not use the SLEEP state. A calibration cycle is to be initiated in states TRX\_OFF, PLL\_ON or RX\_ON if necessary. This applies in particular to the High Data Rate Modes with a much higher sensitivity to variations of the BPF transfer function. The recommended calibration interval is 5 min or less.

## 9.7 Radio Transceiver Usage

This section describes the basic procedures to receive and transmit frames with the radio transceiver.

### 9.7.1 Frame Receive Procedure

A frame reception comprises of two actions: The PHY listens for a frame, receives and demodulates the frame to the Frame Buffer and signalizes its reception to the application software. The application software reads the available frame data from the Frame Buffer after or during the progress of the frame reception.

While in state RX\_ON or RX\_AACK\_ON the radio transceiver searches for incoming frames on the selected channel. First a TRX24\_RX\_START interrupt indicates the detection of an IEEE 802.15.4 compliant frame assuming the appropriate interrupts are

enabled. The frame reception is completed when issuing the TRX24\_RX\_END interrupt.

Different Frame Buffer read access scenarios are recommended for:

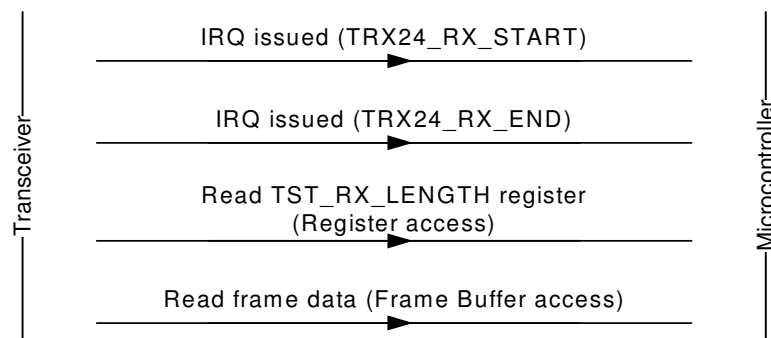
- Non-time critical applications: read access starts after the TRX24\_RX\_END interrupt;
- Time-critical applications: read access starts after the TRX24\_RX\_START interrupt;

The controller must ensure to read valid Frame Buffer contents. Reading frame data before frame reception is finished can lead to invalid data, if buffer regions are accessed which are not yet updated with the new frame.

While receiving a frame the data needs to be primarily stored in the Frame Buffer before reading it. This is ensured by accessing the first Frame Buffer byte at least 32  $\mu$ s after the TRX24\_RX\_START interrupt.

It is recommended for operations considered to be not time-critical to wait for the TRX24\_RX\_END interrupt before starting a Frame Buffer read access. The following figure illustrates the frame receive procedure using the TRX24\_RX\_END interrupt.

**Figure 9-28.** Transactions between radio transceiver and microcontroller during receive



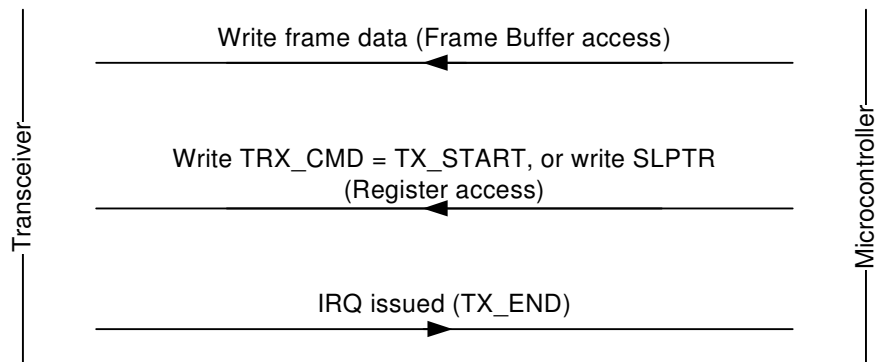
Critical protocol timing could require starting the Frame Buffer read access after the TRX24\_RX\_START interrupt. The first byte of the frame data can be read 32  $\mu$ s after the TRX24\_RX\_START interrupt. The application software must ensure to read slower than the frame is received. Otherwise a Frame Buffer under-run occurs and the frame data may be not valid.

## 9.7.2 Frame Transmit Procedure

A frame transmission comprises of the two actions Frame Buffer write access and transmission of the Frame Buffer content. Both actions can be run in parallel if required by critical protocol timing.

[Figure 9-29](#) on page 92 illustrates the frame transmit procedure by consecutively writing and transmitting the frame. The frame transmission is initiated writing SLPTR or writing command TX\_START to register TRX\_STATE after a Frame Buffer write access and while the radio transceiver is in state PLL\_ON or TX\_ARET\_ON. The TRX24\_TX\_END interrupt indicates the completion of the transaction.

**Figure 9-29.** Transaction between radio transceiver and microcontroller during transmit

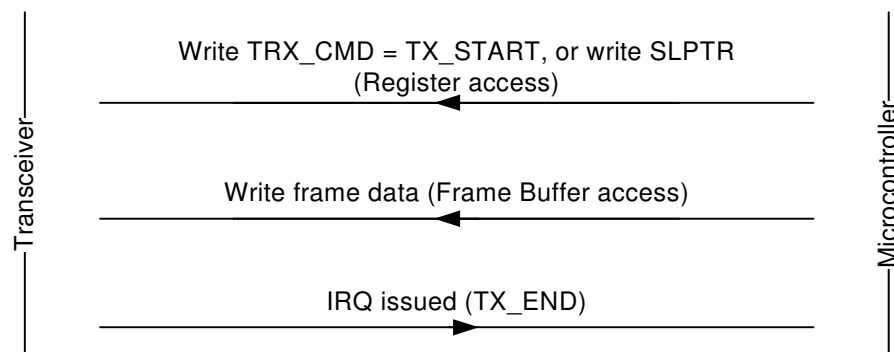


Alternatively a frame transmission can be started first, followed by the Frame Buffer write access (PSDU data) as shown in [Figure 9-30 below](#). This is applicable for time critical applications.

A transmission is initiated either by writing SLPTR or by writing the TX\_START command to the TRX\_CMD bits of register TRX\_STATE. The radio transceiver then starts transmitting the SHR which is internally generated.

This first phase requires 16  $\mu$ s for PLL settling and 160  $\mu$ s for SHR transmission. The PHR must be available in the Frame Buffer before this time elapses. Furthermore the Frame Buffer must be filled faster than the frame is transmitted to prevent a buffer under-run.

**Figure 9-30.** Time Optimized Frame Transmit Procedure



## 9.8 Radio Transceiver Extended Feature Set

### 9.8.1 Random Number Generator

The radio transceiver incorporates a 2-bit, noise observing, true random number generator to be used to:

- Generate random seeds for CSMA-CA algorithm (see ["Extended Operating Mode" on page 47](#));
- Generate random values for AES key generation (see ["Security Module \(AES\)" on page 99](#));

The values are stored in bits RND\_VALUE of register PHY\_RSSI. The random number is updated every  $t_{TR29} = 1 \mu$ s in Basic Operation Mode receive states with locked PLL.

Note, if the PLL is not locked or unlocks in receive states or either antenna diversity or RPC mode is enabled, the RND\_VALUE is zero.

## 9.8.2 High Data Rate Modes

The main features of the High Data Rate Modes are:

- High Data Rate Communication up to 2 Mb/s;
- Support of Basic and Extended Operating Mode;
- Support of other features of the Extended Feature Set;

### 9.8.2.1 Overview

The radio transceiver also supports alternative data rates higher than 250 kb/s for applications beyond IEEE 802.15.4 compliant networks.

The selection of a data rate does not affect the remaining functionality. Thus it is possible to run all features and operating modes of the radio transceiver in various combinations.

The data rate can be selected by writing bits OQPSK\_DATA\_RATE of register TRX\_CTRL\_2.

The High Data Rate Modes occupy the same RF channel bandwidth as the IEEE 802.15.4 – 2.4 GHz 250 kb/s standard mode. The sensitivity of the receiver is reduced due to the decreased spreading factor. The following table shows typical values of the sensitivity for different data rates.

**Table 9-27. High Data Rate Sensitivity**

| High Data Rate | Sensitivity | Comment                            |
|----------------|-------------|------------------------------------|
| 250 kb/s       | -100 dBm    | PER ≤ 1%, PSDU length of 20 octets |
| 500 kb/s       | -96 dBm     | PER ≤ 1%, PSDU length of 20 octets |
| 1000 kb/s      | -94 dBm     | PER ≤ 1%, PSDU length of 20 octets |
| 2000 kb/s      | -86 dBm     | PER ≤ 1%, PSDU length of 20 octets |

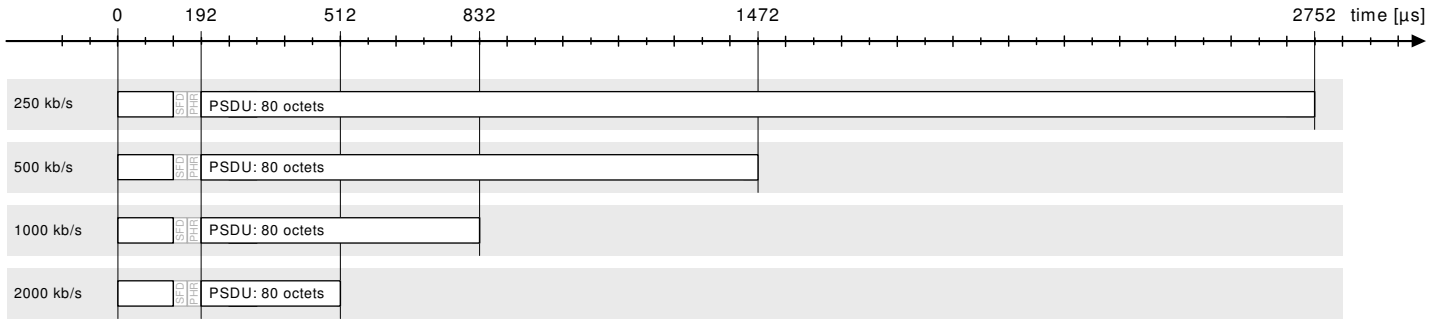
By default there is no header based signaling of the data rate within a transmitted frame. Thus nodes using a data rate other than the default IEEE 802.15.4 data rate of 250 kb/s are to be consistently configured in advance. The configurable start of frame delimiter (SFD) could be alternatively used as an indicator of the PHY data rate (see ["Configurable Start-Of-Frame Delimiter \(SFD\)" on page 98](#)).

### 9.8.2.2 High Data Rate Packet Structure

Higher data rate modulation is restricted to only the payload octets in order to allow appropriate frame synchronization. The SHR and the PHR field are transmitted with the IEEE 802.15.4 compliant data rate of 250 kb/s (refer to ["Introduction – IEEE 802.15.4-2006 Frame Format" on page 67](#)).

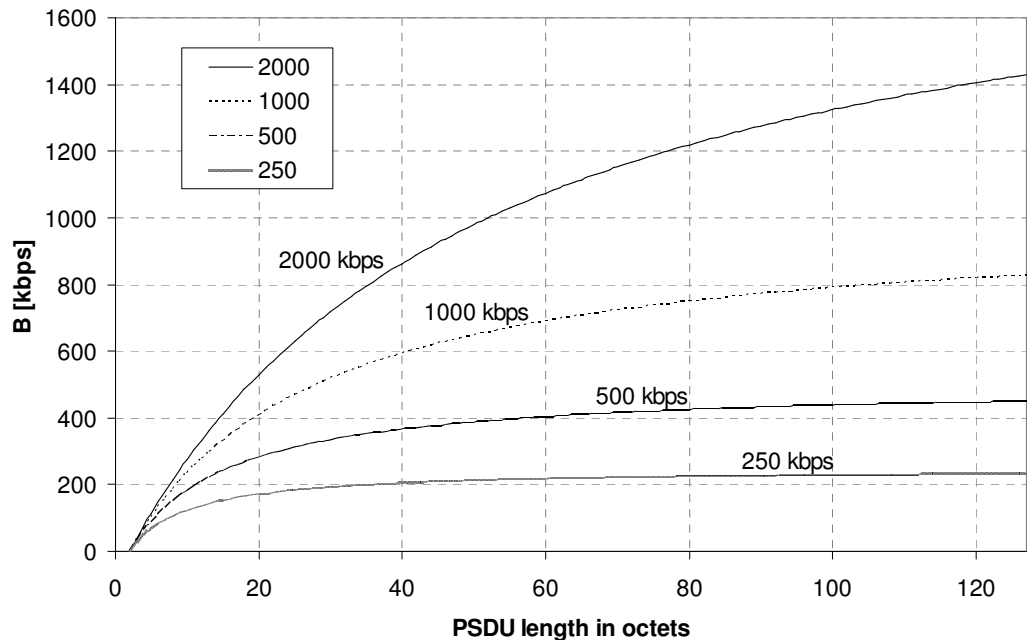
A comparison of the general packet structure for different data rates with an example PSDU length of 80 octets is shown in [Figure 9-31 on page 94](#).

**Figure 9-31. High Data Rate Frame Structure**



The effective data rate is smaller than the selected data rate due to the overhead caused by the SHR, the PHR and the FCS. The overhead depends further on the length of the PSDU. A graphical representation of the effective data rate is shown in the following figure:

**Figure 9-32. Effective Data Rate “B” for High Data Rate Mode**



Therefore High Data Rate transmission and reception is useful for large PSDU lengths due to the higher effective data rate or to reduce the power consumption of the system. Furthermore the active on-air time using High Data Rate Modes is significantly reduced.

### 9.8.2.3 High Data Rate Frame Buffer Access

The Frame Buffer access to read or write frames for High Data Rate communication is similar to the procedure described in "Frame Buffer" on page 83. However the last byte in the Frame Buffer after the PSDU data is the ED value rather than the LQI value.

### 9.8.2.4 High Data Rate Energy Detection

According to IEEE 802.15.4 the ED measurement duration is 8 symbol periods. For frames operated at higher data rates the automated ED measurement duration is reduced to 32 μs to take the reduced frame length into account ("Energy Detection (ED)" on page 74).

## 9.8.2.5 High Data Rate Mode Options

### Receiver Sensitivity Control

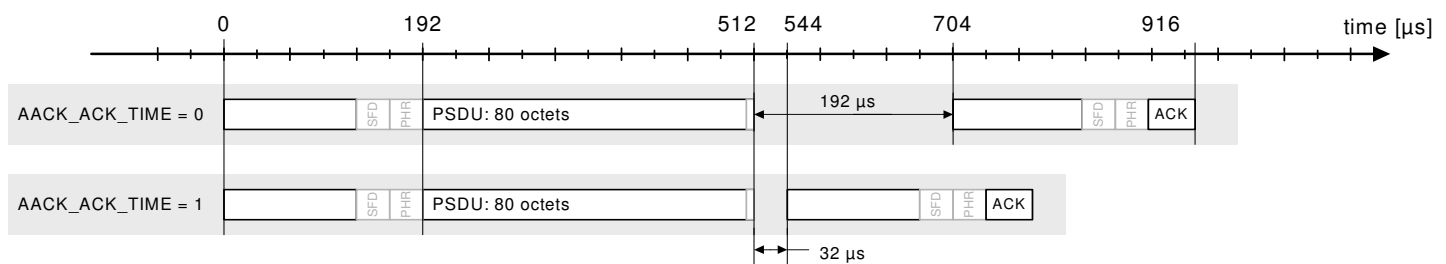
The different data rates between PPDU header (SHR and PHR) and PHY payload (PSDU) cause a different sensitivity between header and payload. This can be adjusted by defining sensitivity threshold levels of the receiver. The receiver does not receive frames with an RSSI level below the defined sensitivity threshold level (register bits `RX_PDT_LEVEL > 0`). Under these operating conditions the receiver current consumption is reduced by 500  $\mu\text{A}$  (refer to chapter "Current Consumption Specifications" on page 563).

A description of the settings to control the sensitivity threshold with register `RX_SYN` can be found in section "RX\_SYN – Transceiver Receiver Sensitivity Control Register" on page 131.

### Reduced Acknowledgment Timing

On higher data rates the IEEE 802.15.4 compliant acknowledgment frame response time of 192  $\mu\text{s}$  significantly reduces the effective data rate of the network. To minimize this influence in Extended Operating Mode `RX_AACK` (see section "RX\_AACK\_ON – Receive with Automatic ACK" on page 50), the acknowledgment frame response time can be reduced to 32  $\mu\text{s}$ . Figure 9-33 below illustrates an example for a reception and acknowledgement of a frame with a data rate of 2000 kb/s and a PSDU length of 80 symbols. The PSDU length of the acknowledgment frame is 5 octets according to IEEE 802.15.4.

**Figure 9-33.** High Data Rate AACK Timing



The acknowledgment time is reduced from 192  $\mu\text{s}$  to 32  $\mu\text{s}$  if bit `AACK_ACK_TIME` of register `XAH_CTRL_1` is set.

## 9.8.3 Antenna Diversity

The main features of the Antenna Diversity implementation are:

- Improves signal path robustness between nodes;
- Self-contained antenna diversity algorithm of the radio transceiver;
- Direct register based antenna selection;

### 9.8.3.1 Overview

The receive signal strength may vary and affect the link quality even for small changes of the antenna location due to multipath propagation effects between network nodes. These fading effects can result in an increased error floor or loss of the connection between devices.

Antenna Diversity can be applied to reduce the effects of multipath propagation and fading hence improving the reliability of a RF connection between network nodes.

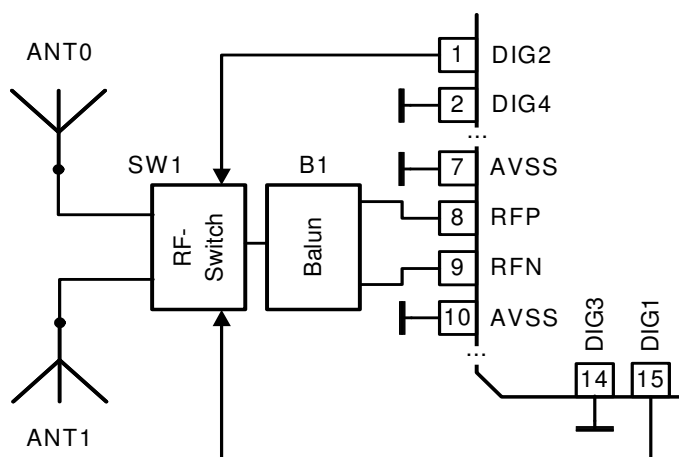
Antenna Diversity uses two antennas to switch to the most reliable RF signal path. This is done by the radio transceiver during RX\_ON and RX\_AACK\_ON state without interaction of the application software. Both antennas should be carefully separated from each other to ensure highly independent receive signals.

Antenna Diversity can be used in Basic and Extended Operating Modes and can also be combined with other features and operating modes like High Data Rate Mode and RX/TX Indication.

### 9.8.3.2 Antenna Diversity Application Example

A block diagram for an application using an antenna switch is shown in the following figure.

**Figure 9-34.** External Antenna Diversity – Block Diagram



Generally, the Antenna Diversity algorithm is enabled with bit ANT\_DIV\_EN=1 in register ANT\_DIV. For the External Antenna Diversity the control of the antenna switch (SW1) must be enabled by bit ANT\_EXT\_SW\_EN of register ANT\_DIV. Under this condition the control pins DIG1 and DIG2 are configured as outputs. DIG1 and DIG2 are used to feed the antenna switch signal and its inverse to the differential inputs of the RF Switch (SW1). See also "[Alternate Functions of Port F](#)" on page 230 and "[Alternate Functions of Port G](#)" on page 232.

The selected antenna is indicated by bit ANT\_SEL of register ANT\_DIV. The antenna selection continues searching for new frames on both antennas after the frame reception is completed. However the register bit ANT\_SEL maintains its previous value (from the last received frame) until a new SHR has been found and the selection algorithm locked into one antenna again. Then the register bit ANT\_SEL is updated.

The antenna defined by the ANT\_CTRL bits of register ANT\_DIV is selected for transmission. If for example the same antenna as selected for reception is to be used for transmission, the antenna must be set using the ANT\_CTRL bits based on the value read from the ANT\_SEL bit. It is recommended to read bit ANT\_SEL after the TRX24\_RX\_START interrupt.

The autonomous search and selection allows the use of Antenna Diversity during reception even if the application software currently does not control the radio transceiver for instance in Extended Operating Mode.



An application software defined selection of a certain antenna can be done by disabling the automatic Antenna Diversity algorithm ( $\text{ANT\_DIV\_EN} = 0$ ) and selecting one antenna using register bit  $\text{ANT\_CTRL}$ .

If the radio transceiver is not in a receive or transmit state, it is recommended to disable register bit  $\text{ANT\_EXT\_SW\_EN}$  and to set the port pins DIG1 and DIG2 to output low via the I/O port control register ( $\text{DDG1} = 1$ ,  $\text{PORTG1} = 0$ ,  $\text{DDF2} = 1$ ,  $\text{PORTF2} = 0$ ). In this way the power consumption of the external RF switch is reduced and leakage currents are avoided especially during sleep modes.

### 9.8.3.3 Antenna Diversity with Extended Operation Modes

A combination of Extended Operation Mode and antenna diversity is allowed.

While the radio transceiver is in  $\text{RX\_AACK\_ON}$  state, it switches to an antenna with a reliable signal. The receive antenna selection is also used for transmission of an automatic acknowledge frame.

While the radio transceiver is in  $\text{TX\_ARET}$  state, the selected antenna is automatically changed for every frame transmission retry.

### 9.8.3.4 Antenna Diversity Sensitivity Control

The detection threshold of the receiver has to be adjusted due to a different receive algorithm used by the Antenna Diversity algorithm. It is recommended to set bits  $\text{PDT\_THRES}$  of register  $\text{RX\_CTRL}$  to 3.

## 9.8.4 RX/TX Indicator

The main features are:

- RX/TX Indicator to control an external RF Front-End;
- Application software independent RF Front-End Control;
- Provide TX Timing Information;

### 9.8.4.1 Overview

While IEEE 802.15.4 is a low-cost, low-power standard, solutions supporting higher transmit output power are occasionally desirable. A differential control pin pair can indicate that the radio transceiver is currently in transmit mode to simplify the control of an optional external RF front-end.

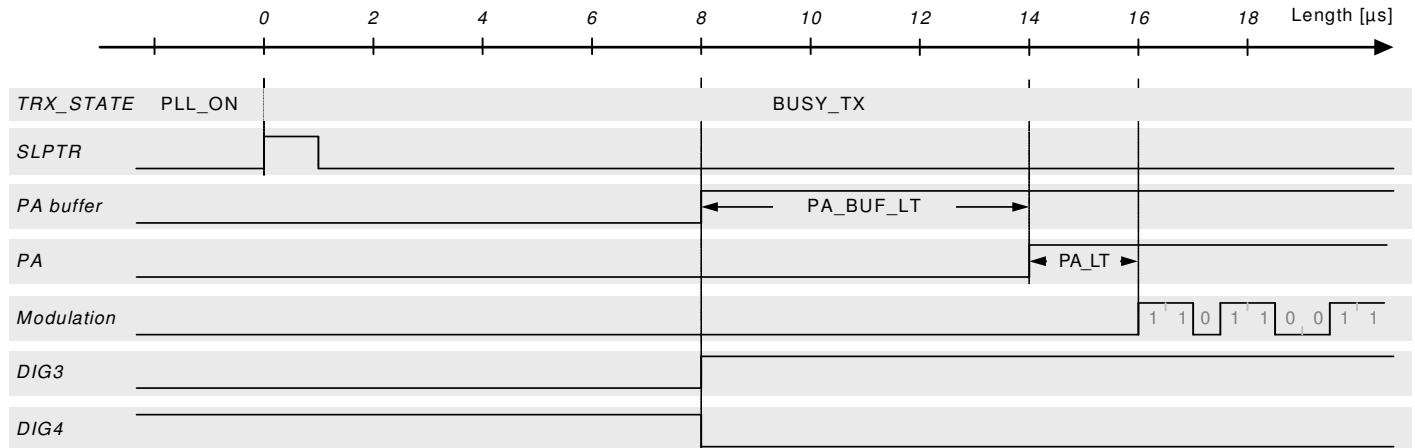
The control of an external RF front-end is done via the digital control pins DIG3/DIG4. The function of this pin pair is enabled with bit  $\text{PA\_EXT\_EN}$  of register  $\text{TRX\_CTRL\_1}$ . Pin DIG3 is set to low level and DIG4 to high level while the transmitter is turned off. The two pins change the polarity when the radio transceiver starts transmitting. This differential pin pair can be used to control PA, LNA and RF switches. See also ["Alternate Functions of Port F" on page 230](#) and ["Alternate Functions of Port G" on page 232](#).

If the radio transceiver is not in a receive or transmit state, it is recommended to disable register bit  $\text{PA\_EXT\_EN}$  and to set the port pins DIG3 and DIG4 to output low via the I/O port control register ( $\text{DDG0} = 1$ ,  $\text{PORTG0} = 0$ ,  $\text{DDF3} = 1$ ,  $\text{PORTF3} = 0$ ). In this way the power consumption of external RF switches and other building blocks is reduced and leakage currents are avoided especially during sleep modes.

## 9.8.4.2 External RF-Front End Control

The setup time of the external power amplifier (PA) relative to the internal building blocks should be adjusted when using an external RF front-end including a power amplifier to optimize the overall power spectral density (PSD) mask.

**Figure 9-35.** TX Power Ramping Control for RF Front-Ends



The start-up sequence of the individual building blocks of the internal transmitter is shown in the previous figure. The transmission is actually initiated by writing '1' to SLPTR. The radio transceiver state changes from PLL\_ON to BUSY\_TX and the PLL settles to the transmit frequency within 16 µs (parameter  $t_{TR23}$  at page 46). The modulation starts 16 µs (parameter  $t_{TR10}$  at page 46) after the SLPTR=1. The PA buffer and the internal PA are enabled during this time.

The control of an external PA is done via the differential pin pair DIG3 and DIG4. DIG3 = H / DIG4 = L indicates that the transmission starts and can be used to enable an external PA. The timing of pins DIG3/DIG4 can be adjusted relative to the start of the frame and the activation of the internal PA buffer. This is controlled using the register bits PA\_BUF\_LT and PA\_LT. For details refer to [Figure 9-23 on page 83](#) and chapter "Transmitter (TX)" on page 82.

## 9.8.5 RX Frame Time Stamping

To determine the exact timing of an incoming frame e.g. for beaconing networks, the Symbol Counter should be used. SFD Time Stamping is enabled by setting bit SCTSE of the Symbol Counter Control Register SCCR0. The actual 32 Bit Symbol Counter value is captured in the SFD Time Stamp register SCTSR at the time, the SFD has been received. For details see section "SFD and Beacon Timestamp Generation" on page 158.

## 9.8.6 Configurable Start-Of-Frame Delimiter (SFD)

The SFD is a field indicating the end of the SHR and the start of the packet data. The length of the SFD is 1 octet (2 symbols). This octet is used for byte synchronization only and is not included in the Frame Buffer.

The value of the SFD could be changed if it is needed to operate non IEEE 802.15.4 compliant networks. An IEEE 802.15.4 compliant network node does not synchronize to frames with a different SFD value.

The register SFD\_VALUE contains the one octet start-of-frame delimiter (SFD) to synchronize to a received frame. It is not recommended to set the low-order 4 bits to 0 due to the way the SHR is formed.

## 9.8.7 Dynamic Frame Buffer Protection

The ATmega2564/1284/644RFR2 continues the reception of incoming frames as long as it is in any receive state. When a frame was successfully received and stored into the Frame Buffer, the following frame will overwrite the Frame Buffer content again. To relax the timing requirements for a Frame Buffer read access the Dynamic Frame Buffer Protection prevents that a new valid frame passes to the Frame Buffer until the buffer protection bit is cleared (RX\_SAFE\_MODE = 0).

A received frame is automatically protected against overwriting:

- in Basic Operating Mode, if its FCS is valid
- in Extended Operating Mode, if an TRX24\_RX\_END interrupt is generated

The Dynamic Frame Buffer Protection is enabled, if register bit RX\_SAFE\_MODE (register TRX\_CTRL\_2, see "[TRX\\_CTRL\\_2 – Transceiver Control Register 2](#)" on page 123) is set and the radio transceiver state is RX\_ON or RX\_AACK\_ON.

Notes:

3. Dynamic Frame Buffer Protection only prevents write accesses from the air interface not from the application software. The application software may still modify the Frame Buffer content.
4. Dynamic Frame Buffer Protection influences SRT (see "[SRT – Smart Receiving Technology](#)" on page 104) when a frame has been received successfully.

## 9.8.8 Security Module (AES)

The security module (AES) is characterized by:

- Hardware accelerated encryption and decryption;
- Compatible with AES-128 standard (128 bit key and data block size);
- ECB (encryption/decryption) mode and CBC (encryption) mode support;
- Stand-alone operation, independent of other blocks;
- Uses 16MHz crystal clock of the transceiver;

### 9.8.8.1 Overview

The security module is based on an AES-128 core according to the FIPS197 standard [6]. and provides two modes, the Electronic Code Book (ECB) and the Cipher Block Chaining (CBC). The security module works independent of other building blocks of the radio transceiver. Encryption and decryption can be performed in parallel to a frame transmission or reception.

During radio transceiver SLEEP the registers of the security engine (AES) are cleared (see section "[SLEEP – Sleep State](#)" on page 40).

The ECB and CBC modules including the AES core are clocked with the 16 MHz Radio Transceiver Crystal Oscillator.

Controlling the security block is possible over 5 Registers within AVR I/O space:

**Table 9-28.** Security Module Address Space Overview

| Register Name | Description         |
|---------------|---------------------|
| AES_STATUS    | AES status register |

| Register Name | Description                   |
|---------------|-------------------------------|
| AES_CTRL      | AES control register          |
| AES_KEY       | Access to 16 Byte key buffer  |
| AES_STATE     | Access to 16 Byte data buffer |

### 9.8.8.2 Security Module Preparation

The use of the security module requires a configuration of the security engine before starting a security operation. The following steps are required:

**Table 9-29. AES Engine Configuration Steps**

| Step | Description  | Description  |
|------|--|--|
| 1    | Key Setup  | Write encryption or decryption key to KEY buffer<br>(16 consecutive byte writes to AES_KEY)                              |
| 2    | AES configuration  | Select AES mode: ECB or CBC<br>Select encryption or decryption<br>Enable the AES Encryption Ready Interrupt<br>AES_READY |
| 3    | Write Data   | Write plain text or cipher text to DATA buffer<br>(16 consecutive byte writes to AES_STATE)                              |
| 4    | Start operation  | Start AES operation  |
| 5    | Wait for AES finished:<br>1. AES_READY IRQ or<br>2. polling AES_DONE bit<br>(register AES_STATUS) or<br>3. wait for 24 $\mu$ s | Wait until AES encryption/decryption is finished successfully  |
| 6    | Read Data  | Read cipher text or plain text from DATA buffer<br>(16 consecutive byte reads from AES_STATE)                            |

Before starting any security operation a 16 Byte key must be written to the security engine (refer to section "[Security Key Setup](#)" on page 101). This can be done by 16 consecutive write accesses to the I/O register AES\_KEY. An internal address counter is incremented automatically with every read/ write operation. An AES encryption/ decryption run resets the internal byte counter. If the key and data buffer has not been read or written completely (all 16 Bytes), the following encryption/ decryption operation will finish with an error.

The following step selects either Electronic Code Book (ECB) or Cipher Block Chaining (CBC) as the AES\_MODE. These modes are explained in more detail in section "[Security Operation Modes](#)" on page 101. Encryption or decryption must be further selected with bit AES\_DIR of register AES\_CTRL.

If the AES Error or AES Ready IRQ is used, the interrupt must be enabled with bit AES\_IM.

Next the 128-bit plain text or cipher text data has to be provided to the AES hardware engine. The 16 data bytes must be consecutively written to the AES\_STATE register. The AES\_STATE register can be accessed in the same way as the key register (refer to "[Security Key Setup](#)" on page 101).

The encryption or decryption is initiated with bit AES\_REQUEST = 1.

The operation takes 24  $\mu$ s and the completed encryption/ decryption is indicated by the AES\_READY IRQ and the AES\_DONE bit. The internal byte counter of the key and data buffer is cleared and the resulting data can be read out.

For additional information about the key and data buffer please refer to section ["AES\\_KEY – AES Encryption and Decryption Key Buffer Register" on page 112](#) and ["AES\\_STATE – AES Plain and Cipher Text Buffer Register" on page 112](#).

- Notes:
1. Access to the security block is not possible while the radio transceiver is in state SLEEP.
  2. All configurations of the security module, the SRAM content and keys are reset during SLEEP or RESET states.

### 9.8.8.3 Security Key Setup

The key is stored in a 16 Byte sequential buffer. To read or write the contents of the buffer, 16 consecutive read or write operations to the AES\_KEY register are required.

A 16-folded read access to registers AES\_KEY returns the last round key of the preceding security operation. This is the key required for the corresponding ECB decryption operation after an ECB encryption operation. However the initial AES key written to the security module in advance of an AES run (see step 1 in [Table 9-29 on page 100](#)) is not modified during an AES operation. This initial key is used for the next AES run although it cannot be read from AES\_KEY.

Before accessing the Key Buffer it must be ensured, that the internal address counter is initialized correctly. This is the cases after Radio Transceiver Reset (see [TRXPR – Transceiver Pin Register on page 197](#)) or a completed AES Encryption/ Decryption operation. After an interrupted buffer read or write access, Address pointer reinitialization is recommended by a simple read access to the AES\_CTRL register.

- Note:
1. ECB decryption is not required for IEEE 802.15.4 or ZigBee security processing. The radio transceiver provides this functionality as an additional feature.

### 9.8.8.4 Security Operation Modes

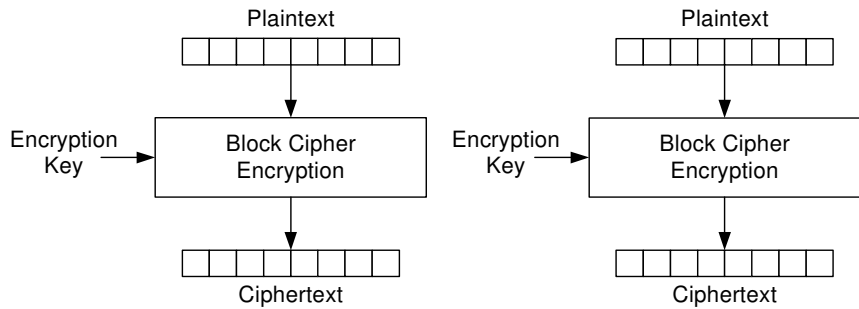
#### 9.8.8.4.1 Electronic Code Book (ECB)

ECB is the basic operating mode of the security module and is configured by the AES\_CTRL register. The bit AES\_MODE = 0 defines the ECB mode and bit AES\_DIR selects the direction to either encryption or decryption. The data to be processed has to be written to registers AES\_STATE.

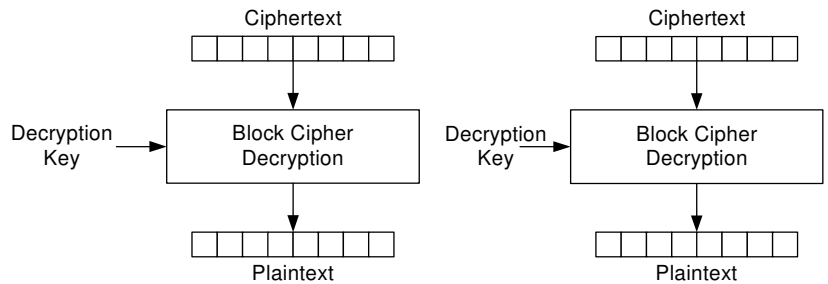
A security operation can be started by writing the start command AES\_REQUEST = 1 (AES\_CTRL register).

The ECB encryption operation is illustrated in [Figure 9-36 on page 102](#). [Figure 9-37 on page 102](#) shows the ECB decryption mode which is supported in a similar way.

**Figure 9-36. ECB Mode - Encryption**



**Figure 9-37. ECB Mode - Decryption**



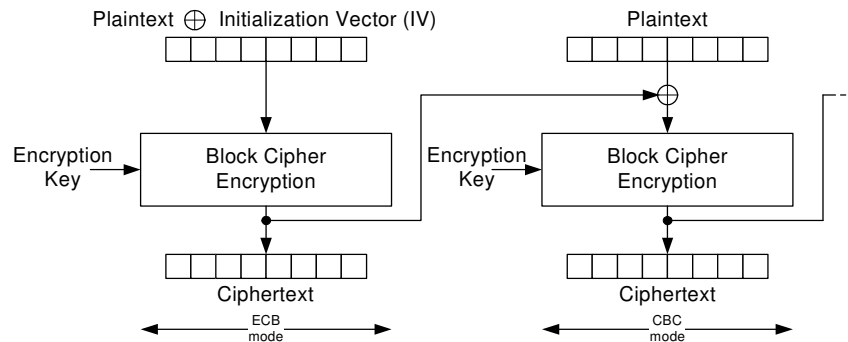
Due to the nature of AES algorithm the initial key to be used when decrypting is not the same as the one used for encryption. Instead it is the last round key. This last round key is the content of the key address space stored after running one full encryption cycle and must be saved for decryption. If the decryption key has not been saved, it has to be recomputed by first running a dummy encryption (of an arbitrary plain text) using the original encryption key. Then the resulting round key must be fetched from the key memory and written back into the key memory as the decryption key.

ECB decryption is not used by either IEEE 802.15.4 or ZigBee frame security. Both of these standards do not directly encrypt the payload. Instead they protect the payload by applying a XOR operation between the original payload and the resulting (AES-) cipher text with a nonce (number used once). As the nonce is the same for encryption and decryption only ECB encryption is required. Decryption is performed by a XOR operation between the received cipher text and its own encryption result concluding in the original plain text payload upon success.

#### 9.8.8.4.2 Cipher Block Chaining (CBC)

In CBC mode the result of a previous AES operation is XOR-combined with the new incoming vector forming the new plain text to encrypt as shown in the next figure. This mode is used for the computation of a cryptographic checksum (message integrity code, MIC).

**Figure 9-38. CBC Mode - Encryption**



After preparing the AES key and defining the AES operation direction register bit AES\_DIR, the data has to be provided to the AES engine and the CBC operation can be started.

The first CBC run has to be configured as ECB to process the initial data (plain text XOR with an initialization vector provided by the application software). All succeeding AES runs are to be configured as CBC by setting bit AES\_MODE = 1 (AES\_CTRL register). Bit AES\_DIR (AES\_CTRL register) must be set to AES\_DIR = 0 to enable AES encryption. The data to be processed has to be transferred to the AES\_STATE register. Setting bit AES\_REQUEST = 1 (AES\_CTRL register) as described in section ["Security Operation Modes" on page 101](#) starts the first encryption. This causes the next 128 bits of plain text data to be XORed with the previous cipher text data, see [Figure 9-38 above](#).

According to IEEE 802.15.4 the input for the very first CBC operation has to be prepared by a XOR operation of the plain text with the initialization vector (IV). The value of the initialization vector is 0. However any other initialization vector can be applied for non-compliant usage. This operation has to be prepared by the application software.

Note that the MIC algorithm of the IEEE 802.15.4-2006 standard requires CBC mode encryption only because it implements a one-way hash function.

The status of the security processing is indicated by register AES\_STATUS. After a AES processing time of 24  $\mu$ s the register bit AES\_DONE changes to 1 (register AES\_STATUS) indicating that the security operation has finished (see ["Digital Interface Timing Characteristics" on page 560](#)).

The end of the AES processing can also be indicated by the AES\_READY Interrupt. The bit AES\_ER of register AES\_STATUS is set if the operation has finished with an error. Otherwise this bit is zero but AES\_DONE is '1'.

### 9.8.8.5 AES Interrupt Handling

The AES Interrupt handling is slightly different from all other IRQ's. If the AES\_IM Bit (AES\_CTRL Register) and the global interrupt enable flag is set, the AES core can generate an AES Ready Interrupt (AES\_READY). If the IRQ is issued, the AES\_STATUS register must be read to check the finish status of the last operation. If AES\_DONE is set, the last AES operation finished successfully. If AES\_ER is set, an error occurred during the last operation. The AES\_ER flag is cleared automatically during the read access to the AES\_STATUS register. The AES\_DONE flag is cleared during the next read or write access to the AES\_STATE (AES data) register.

The two status flags must be cleared before a new Interrupt can be issued.



If AES\_IM is not set, the processing status can be polled by software (AES\_STATUS register), but no Interrupt occurs.

### 9.8.9 Receiver Override

The RX Override feature improves the network throughput under busy conditions.

When an incoming received frame is overlaid by a later starting stronger signal, the overlaid signal would surely destroy the received frame. With an enabled RX Override feature, the receiver breaks the reception and restarts synchronisation to the stronger signal. The IRQs are set like after reception of a wrong FCS.

The feature RX Override is enabled if the bit RX\_OVERRIDE in register RX\_SYN is set.

### 9.8.10 Reduced Power Consumption Mode (RPC)

#### 9.8.10.1 Overview

The Reduced Power Consumption mode is characterized by:

- Significant power reduction for several transceiver operating modes
- Self-contained, self-calibrating and adaptive power reduction schemes

The RPC mode of the ATmega2564/1284/644RFR2 offers a variety of independent techniques and methods to significantly reduce the power consumption of the radio transceiver. RPC is applicable to selected operating modes and is transparent to most other extended features.

In this context an RPC state change (disable or enable) needs to be understood as a major state change within all transceiver sections (TX, RX, PLL, state machines) and has to respect the associated settling time as specified in ["State Transition Timing Summary" on page 46](#). In case of RX\_ON / RX\_AACK\_ON / PLL\_ON the PLL needs time to settle ( $t_{TR20}=11\mu\text{s}$ ).

To achieve the lowest possible power consumption set register TRX\_RPC to 0xFF. For disabling the Reduced Power Consumption modes set register TRX\_RPC to 0xC1 or 0x01. See ["TRX\\_RPC – Transceiver Reduced Power Consumption Control" on page 136](#) for detailed description of the TRX\_RPC register bits.

#### 9.8.10.2 RPC Methods and Elements

##### 9.8.10.2.1 PES – PLL Energy Saving

The PES mode is activated with bit PLL\_RPC\_EN of register TRX\_RPC set to one.

#### **Applicable to states: PLL\_ON and TX\_ARET\_ON**

A state change towards PLL\_ON or TX\_ARET\_ON causes an initial PLL calibration run, immediately followed by entering the PES mode. A state change towards RX or TX states, a channel switch or PLL calibration causes a PLL wake-up. After finishing such an operation, the PLL automatically enters the PES mode.

##### 9.8.10.2.2 SRT – Smart Receiving Technology

The SRT mode is activated with bit RX\_RPC\_EN of register TRX\_RPC set to one.



## Applicable to states: RX\_ON, RX\_AACK\_ON and TX\_ARET\_ON

SRT reduces the average power consumption during RX listening periods. In typical environment situations SRT reduces the average current consumption of the transceiver in the RX\_ON state by up to 50%. The configuration of SRT is done with the RX\_RPC\_CTRL bits of register TRX\_RPC.

- Notes:
1. It's recommended to disable SRT during RSSI measurements or RND generation.
  2. During CCA or/and ED scan the SRT is disabled automatically.
  3. If autonomous antenna diversity is enabled, SRT cannot achieve the maximum effect.
  4. The effective reduction of the current consumption may vary depending on operating conditions (wireless traffic, temperature, channel noise, frequency settings).
  5. SRT shall be disabled when using the Random Number Generator. The total access time to the random value in [PHY\\_RSSI – Receiver Signal Strength Indicator Register](#) after SRT-disable is  $2 \cdot t_{TR29} + t_{TR20}$ .
  6. When a frame is received successfully while SRT and Dynamic Frame Buffer Protection are enabled the SRT is blocked until RX\_SAFE\_MODE bit in the register TRX\_CTRL\_2 is set to 0 to release the protection.

### 9.8.10.2.3 ERD – Extended Receiver Desensitizing

ATmega2564/1284/644RFR2 ERD is activated with bit PDT\_RPC\_EN of register TRX\_RPC set to one.

## Applicable to states: RX\_ON, RX\_AACK\_ON and TX\_ARET\_ON

In combination with RX\_PDT\_LEVEL settings, the average RX current is further significantly reduced, for details refer to ["Current Consumption Specifications" on page 563](#).

Setting RX\_PDT\_LEVEL = 0x08 requires special attention. In contrast to definitions in section ["RX\\_SYN – Transceiver Receiver Sensitivity Control Register" on page 131](#), the sensitivity is reduced to -80 dBm only. However the average RX\_ON current is much lower than for comparable register settings.

- Notes:
1. With RX\_PDT\_LEVEL  $\geq$  0x08, RSSI/ED can not resolve receiver input levels from -80 dBm to -67 dBm.
  2. During CCA or/and ED scan the ERD is disabled automatically.

### 9.8.10.2.4 PAM – PAN Address Match Recognition

ATmega2564/1284/644RFR2 PAM is activated with bit IPAN\_RPC\_EN of register TRX\_RPC set to one. PAM is automatically deactivated if RX override is enabled (see ["Receiver Override" on page 104](#) and ["RX\\_SYN – Transceiver Receiver Sensitivity Control Register" on page 131](#) for details).

## Applicable to states: RX\_AACK\_ON

The indication of an address match fail of the IEEE 802.15.4 frame filtering (see ["Frame Filtering" on page 58](#)) stops the receive procedure in two ways:

1. If the PAN address does not match, a new listen period starts immediately,

2. If the PAN address matches (but not the short destination address), the radio transceiver enters power saving mode for the remaining frame. If acknowledgement is also requested, power saving continues through the acknowledgement period. .

- Notes:
1. PAM is applicable to short acknowledgement times and reserved frame types as set by the bits AACK\_ACK\_TIME and AACK\_FLTR\_RES\_FT of register XAH\_CTRL\_1, respectively (see "[XAH\\_CTRL\\_1 – Transceiver Acknowledgment Frame Control Register 1](#)" on page 132).
  2. PAM is disabled automatically if promiscuous mode is enabled with bit AACK\_PROM\_MODE in register XAH\_CTRL\_1) set to one..

#### 9.8.10.2.5 Miscellaneous Power Reduction Functions

##### **Applicable to states: RX\_ON and RX\_AACK\_ON**

In addition to Dynamic Frame Buffer Protection, refer to section "[Dynamic Frame Buffer Protection](#)" on page 99. During Dynamic Frame Buffer Protection, the radio transceiver automatically enters the power save mode.

##### **Applicable to states: TX\_ARET\_ON**

In addition to CSMA-CA retry, refer to section "[TX\\_ARET\\_ON – Transmit with Automatic Retry](#) and CSMA-CA Retry" on page 63. After starting the TX\_ARET transaction, a random back-off period is performed. Within this back-off period the radio transceiver automatically enters power saving mode.

##### **Applicable to states: TX\_ARET\_ON and RX\_AACK\_ON**

In addition to the TX/RX turnaround time, refer to section "[Extended Operating Mode](#)" on page 47. The radio transceiver automatically enters power saving mode in:

- TX\_ARET: during the time waiting for an ACK frame, or
- RX\_AACK: during the time waiting for ACK transmission.

- Note:
1. To handle nodes configured with a RX/TX turnaround time less than 12 symbols, set RX\_RPC\_CTRL = 0 within TX\_ARET state or set bit AACK\_ACK\_TIME of register XAH\_CTRL\_1 to one.

## 9.9 Continuous Transmission Test Mode

### 9.9.1 Overview

The 2.4GHz transceiver offers a Continuous Transmission Test Mode to support final application / production tests as well as certification tests. In this test mode the radio transceiver transmits continuously a previously transferred frame (PRBS mode) or a continuous wave signal (CW mode).

In CW mode two different signal frequencies per channel can be transmitted:

- $f_1 = f_{CH} + 0.5 \text{ MHz}$
- $f_2 = f_{CH} - 0.5 \text{ MHz}$

Here  $f_{CH}$  is the channel center frequency programmed by register PHY\_CC\_CCA.

Note that in CW mode it is not possible to transmit a RF signal directly on the channel center frequency. PSDU data in the Frame Buffer must contain at least a valid PHR (see section "[Introduction – IEEE 802.15.4-2006 Frame Format](#)" on page 67). It is recommended to use a frame of maximum length (127 bytes) and arbitrary PSDU data

for the PRBS mode. The SHR and the PHR are not transmitted. The transmission starts with the PSDU data and is repeated continuously.

## 9.9.2 Configuration

All register configurations shall be setup as follows before enabling Continuous Transmission Test Mode:

- TX channel setting (optional);
- TX output power setting (optional);
- Mode selection (PRBS / CW);

An access to the registers TST\_CTRL\_DIGI and PART\_NUM enables the Continuous Transmission Test Mode.

The transmission is started by enabling the PLL (TRX\_CMD = PLL\_ON) and writing the TX\_START command to register TRX\_STATE.

Even for CW signal transmission it is required to write valid PSDU data (see chapter "Frame Buffer Access " on page 35) to the Frame Buffer. The first byte defines the frame length information. The frame length has to match to the length of the pattern stored in the frame buffer. For PRBS mode it is recommended to use a frame of maximum length.

The detailed programming sequence is shown in Table 9-30 below. The column R/W informs about writing (W) or reading (R) a register or the Frame Buffer.

**Table 9-30.** Continuous Transmission Programming Sequence

| Step              | Action                    | Register      | R/W | Value | Description  |
|-------------------|---------------------------|---------------|-----|-------|--|
| 1                 | RESET                     |               |     |       | Reset the transceiver  |
| 2                 | Register Access           | IRQ_MASK      | W   | 0x01  | Set IRQ mask register, enable PLL_LOCK interrupt and set global AVR IRQ enable |
| 3                 | Register Access           | TRX_CTRL_1    | W   | 0x00  | Disable TX_AUTO_CRC_ON   |
| 4                 | Register Access           | TRX_STATE     | W   | 0x03  | Set radio transceiver state TRX_OFF  |
| 5                 | Register Access           | PHY_CC_CCA    | W   | 0x33  | Set IEEE 802.15.4 CHANNEL, e.g. 19   |
| 6                 | Register Access           | PHY_TX_PWR    | W   | 0x00  | Set TX output power, e.g. to P <sub>max</sub>                                  |
| 7                 | Register Access           | TRX_STATUS    | R   | 0x08  | Verify TRX_OFF state   |
| 8                 | Register Access           | TST_CTRL_DIGI | W   | 0x0F  | Enable Continuous Transmission Test Mode – step # 1                            |
| 9 <sup>(1)</sup>  | Register Access           | TRX_CTRL_2    | W   | 0x03  | Enable High Data Rate Mode, 2 Mb/s   |
| 10 <sup>(1)</sup> | Register Access           | RX_CTRL       | W   | 0xA7  | Configure High Data Rate Mode  |
| 11 <sup>(2)</sup> | Frame Buffer Write Access |               | W   |       | Write PSDU data (even for CW mode), refer to Table 9-31 on page 108            |
| 12                | Register Access           | PART_NUM      | W   | 0x54  | Enable Continuous Transmission Test Mode – step # 2                            |
| 13                | Register Access           | PART_NUM      | W   | 0x46  | Enable Continuous Transmission Test Mode – step # 3                            |
| 14                | Register Access           | TRX_STATE     | W   | 0x09  | Enable PLL_ON state  |

| Step | Action          | Register  | R/W | Value | Description                                |
|------|-----------------|-----------|-----|-------|--|
| 15   | Interrupt event |           | R   | 0x01  | Wait for PLL_LOCK interrupt                |
| 16   | Register Access | TRX_STATE | W   | 0x02  | Initiate Transmission, enter BUSY_TX state |
| 17   | Measurement     |           |     |       | Perform measurement                        |
| 18   | Register Access | PART_NUM  | W   | 0x00  | Disable Continuous Transmission Test Mode  |
| 19   | RESET           |           |     |       | Reset the transceiver                      |

Notes: 1. Only required for CW mode, do not configure for PRBS mode.  
2. Frame Buffer content varies for different modulation schemes.

The content of the Frame Buffer has to be defined for Continuous Transmission PRBS mode or CW mode. To measure the power spectral density (PSD) mask of the transmitter it is recommended to use a random sequence of maximum length for the PSDU data.

To measure CW signals it is necessary to write either 0x00 or 0xFF to each byte of the Frame Buffer according to the given frame length. For details refer to [Table 9-31 below](#).

**Table 9-31.** Frame Buffer Content (after frame length information) for various Continuous Transmission Modulation Schemes

| Step | Action                    | Frame Content    | Comment                                |
|------|---------------------------|------------------|--|
| 11   | Frame Buffer Write Access | Random Sequence  | modulated RF signal                    |
|      |                           | 0x00 (each byte) | $f_{CH} - 0.5 \text{ MHz}$ , CW signal |
|      |                           | 0xFF (each byte) | $f_{CH} + 0.5 \text{ MHz}$ , CW signal |

## 9.10 Abbreviations

|        |   |  |
|--------|---|--|
| AACK   | - | Automatic acknowledgement                    |
| ACK    | - | Acknowledgement                              |
| ADC    | - | Analog-to-digital converter                  |
| AD     | - | Antenna diversity                            |
| AGC    | - | Automated gain control                       |
| AES    | - | Advanced encryption standard                 |
| ARET   | - | Automatic retransmission                     |
| AVREG  | - | Voltage regulator for analog building blocks |
| AWGN   | - | Additive White Gaussian Noise                |
| BATMON | - | Battery monitor                              |
| BBP    | - | Base band processor                          |
| BPF    | - | Band pass filter                             |
| CBC    | - | Cipher block chaining                        |
| CRC    | - | Cyclic redundancy check                      |
| CCA    | - | Clear channel assessment                     |

|         |   |   |
|---------|---|---|
| CSMA-CA | - | Carrier sense multiple access/Collision avoidance |
| CW      | - | Continuous wave                                   |
| DVREG   | - | Voltage regulator for digital building blocks     |
| ECB     | - | Electronic code book                              |
| ED      | - | Energy detection                                  |
| ESD     | - | Electro static discharge                          |
| EVM     | - | Error vector magnitude                            |
| FCF     | - | Frame control field                               |
| FCS     | - | Frame check sequence                              |
| FIFO    | - | First in first out                                |
| FTN     | - | Filter tuning network                             |
| GPIO    | - | General purpose input output                      |
| ISM     | - | Industrial, scientific, and medical               |
| LDO     | - | Low-drop output                                   |
| LNA     | - | Low-noise amplifier                               |
| LO      | - | Local oscillator                                  |
| LQI     | - | Link quality indicator                            |
| LSB     | - | Least significant bit                             |
| MAC     | - | Medium access control                             |
| MFR     | - | MAC footer  |
| MHR     | - | MAC header  |
| MSB     | - | Most significant bit                              |
| MSDU    | - | MAC service data unit                             |
| MPDU    | - | MAC protocol data unit                            |
| MSK     | - | Minimum shift keying                              |
| O-QPSK  | - | Offset - quadrature phase shift keying            |
| PA      | - | Power amplifier                                   |
| PAN     | - | Personal area network                             |
| PCB     | - | Printed circuit board                             |
| PER     | - | Packet error rate                                 |
| PHR     | - | PHY header  |
| PHY     | - | Physical layer                                    |
| PLL     | - | Phase locked loop                                 |
| POR     | - | Power-on reset                                    |
| PPF     | - | Poly-phase filter                                 |
| PRBS    | - | Pseudo random bit sequence                        |

|      |   |                                    |
|------|---|------------------------------------|
| PSDU | - | PHY service data unit              |
| PSD  | - | Power spectral mask                |
| QFN  | - | Quad flat no-lead package          |
| RF   | - | Radio frequency                    |
| RSSI | - | Received signal strength indicator |
| RX   | - | Receiver                           |
| SFD  | - | Start-of-frame delimiter           |
| SHR  | - | Synchronization header             |
| SPI  | - | Serial peripheral interface        |
| SRAM | - | Static random access memory        |
| SSBF | - | Single side band filter            |
| TX   | - | Transmitter                        |
| VCO  | - | Voltage controlled oscillator      |
| VREG | - | Voltage regulator                  |
| XOSC | - | Crystal oscillator                 |

## 9.11 Reference Documents

- [1] IEEE Std 802.15.4™-2006: Wireless Medium Access Control (MAC) and Physical Layer (PHY) Specifications for Low-Rate Wireless Personal Area Networks (LR-WPANs)
- [2] IEEE Std 802.15.4™-2003: Wireless Medium Access Control (MAC) and Physical Layer (PHY) Specifications for Low-Rate Wireless Personal Area Networks (LR-WPANs)
- [3] IEEE Std 802.15.4™-2011: Low-Rate Wireless Personal Area Networks (WPANs)
- [4] ANSI / ESD-STM5.1-2001: ESD Association Standard Test Method for electrostatic discharge sensitivity testing – Human Body Model (HBM).
- [5] ESD-STM5.3.1-1999: ESD Association Standard Test Method for electrostatic discharge sensitivity testing – Charged Device Model (CDM).
- [6] NIST FIPS PUB 197: Advanced Encryption Standard (AES), Federal Information Processing Standards Publication 197, US Department of Commerce/NIST, November 26, 2001

## 9.12 Register Description

### 9.12.1 AES\_CTRL – AES Control Register

| Bit           | 7                  | 6          | 5               | 4          | 3              | 2             | 1           | 0           |                 |
|---------------|--------------------|------------|-----------------|------------|----------------|---------------|-------------|-------------|-----------------|
| NA (\$13C)    | <b>AES_REQUEST</b> | <b>Res</b> | <b>AES_MODE</b> | <b>Res</b> | <b>AES_DIR</b> | <b>AES_IM</b> | <b>Res1</b> | <b>Res0</b> | <b>AES_CTRL</b> |
| Read/Write    | RW                 | R          | RW              | R          | RW             | RW            | R           | R           |                 |
| Initial Value | 0                  | 0          | 0               | 0          | 0              | 0             | 0           | 0           |                 |

This register controls the operation of the security module. Do not access this register during AES operation to read the AES core status. A read or write access to the register stops the ongoing processing. To read the AES status use bit AES\_DONE of register AES\_STATUS. Note that the AES\_CTRL register is cleared when entering the radio transceiver SLEEP state.

- **Bit 7 – AES\_REQUEST - Request AES Operation.**

A write access with AES\_REQUEST = 1 initiates the AES operation.

- **Bit 6 – Res - Reserved Bit**

This bit is reserved for future use. The result of a read access is undefined. The register bit must always be written with the reset value.

- **Bit 5 – AES\_MODE - Set AES Operation Mode**

This register bit sets the AES operation mode (ECB/CBC Mode).

**Table 9-32** AES\_MODE Register Bits

| Register Bits | Value | Description                              |
|---------------|-------|--|
| AES_MODE      | 0     | AES Mode is ECB (Electronic Code Book).  |
|               | 1     | AES Mode is CBC (Cipher Block Chaining). |

- **Bit 4 – Res - Reserved Bit**

This bit is reserved for future use. The result of a read access is undefined. The register bit must always be written with the reset value.

- **Bit 3 – AES\_DIR - Set AES Operation Direction**

This register bit sets the AES operation direction to either encryption or decryption.

**Table 9-33** AES\_DIR Register Bits

| Register Bits | Value | Description                  |
|---------------|-------|------------------------------|
| AES_DIR       | 0     | AES operation is encryption. |
|               | 1     | AES operation is decryption. |

- **Bit 2 – AES\_IM - AES Interrupt Enable**

This register bit is used to enable the AES interrupt.

- **Bit 1:0 – Res1:0 - Reserved Bit**

These bits are reserved for future use. The result of a read access is undefined. The register bits must always be written with the reset value.

### 9.12.2 AES\_STATUS – AES Status Register

| Bit           | 7   | 6 | 5 | 4 | 3 | 2 | 1 | 0 |            |
|---------------|---|---|---|---|---|---|---|---|------------|
| NA (\$13D)    | AES_ER   Res5   Res4   Res3   Res2   Res1   Res0   AES_DONE |   |   |   |   |   |   |   | AES_STATUS |
| Read/Write    | R   | R | R | R | R | R | R | R |            |
| Initial Value | 0   | 0 | 0 | 0 | 0 | 0 | 0 | 0 |            |

This read-only register signals the status of the security module and operation. Note that the AES\_STATUS register is cleared when entering the radio transceiver SLEEP state.

- **Bit 7 – AES\_ER - AES Operation Finished with Error**

This register bit indicates an error during AES module run. An error occurs if accessing AES\_CTRL while an AES operation is running or if AES\_KEY or AES\_STATE Memory is not loaded completely or less than 16 Byte read from AES\_STATE.

- **Bit 6:1 – Res5:0 - Reserved**

These bits are reserved for future use.

- **Bit 0 – AES\_DONE - AES Operation Finished with Success**

This register bit indicates a successfully finished operation of the AES module.

### 9.12.3 AES\_STATE – AES Plain and Cipher Text Buffer Register

| Bit           | 7            | 6  | 5  | 4  | 3  | 2  | 1  | 0  |           |
|---------------|--------------|----|----|----|----|----|----|----|-----------|
| NA (\$13E)    | AES_STATE7:0 |    |    |    |    |    |    |    | AES_STATE |
| Read/Write    | RW           | RW | RW | RW | RW | RW | RW | RW |           |
| Initial Value | 0            | 0  | 0  | 0  | 0  | 0  | 0  | 0  |           |

The AES\_STATE register accesses a 16 byte internal data buffer. The buffer is accessed by reading or writing 16 times to the same address location (AES\_STATE). If the buffer is not completely read or written an error occurs when an AES operation is started. Note that the AES\_STATE register is cleared when entering the radio transceiver SLEEP state.

- **Bit 7:0 – AES\_STATE7:0 - AES Plain and Cipher Text Buffer**

These bits represent the data buffer for the AES operation.

### 9.12.4 AES\_KEY – AES Encryption and Decryption Key Buffer Register

| Bit           | 7          | 6  | 5  | 4  | 3  | 2  | 1  | 0  |         |
|---------------|------------|----|----|----|----|----|----|----|---------|
| NA (\$13F)    | AES_KEY7:0 |    |    |    |    |    |    |    | AES_KEY |
| Read/Write    | RW         | RW | RW | RW | RW | RW | RW | RW |         |
| Initial Value | 0          | 0  | 0  | 0  | 0  | 0  | 0  | 0  |         |

The AES key register accesses a 128 Bit internal buffer that holds the Encryption or Decryption Key. The AES\_KEY buffer is a 16 Byte buffer. The buffer is accessed by reading or writing 16 fold to the same address location (AES\_KEY). A read access to registers AES\_KEY returns the last round key of the preceding security operation. This is the key that is required for the corresponding ECB decryption operation after an ECB



encryption operation. However, the initial AES key written to the security module in advance of an AES run is not modified during an AES operation. This initial key is used for the next AES run even if it cannot be read from AES\_KEY register. Note that the AES\_KEY register is cleared when entering the radio transceiver SLEEP state.

- **Bit 7:0 – AES\_KEY7:0 - AES Encryption/Decryption Key Buffer**

These bits represent the data buffer for the AES Encryption/Decryption key.

## 9.12.5 TRX\_STATUS – Transceiver Status Register

|               |                    |                    |                    |                    |                   |
|---------------|--------------------|--------------------|--------------------|--------------------|-------------------|
| Bit           | 7                  | 6                  | 5                  | 4                  |                   |
| NA (\$141)    | <b>CCA_DONE</b>    | <b>CCA_STATUS</b>  | <b>TST_STATUS</b>  | <b>TRX_STATUS4</b> | <b>TRX_STATUS</b> |
| Read/Write    | R                  | R                  | R                  | R                  |                   |
| Initial Value | 0                  | 0                  | 0                  | 0                  |                   |
| Bit           | 3                  | 2                  | 1                  | 0                  |                   |
| NA (\$141)    | <b>TRX_STATUS3</b> | <b>TRX_STATUS2</b> | <b>TRX_STATUS1</b> | <b>TRX_STATUS0</b> | <b>TRX_STATUS</b> |
| Read/Write    | R                  | R                  | R                  | R                  |                   |
| Initial Value | 0                  | 0                  | 0                  | 0                  |                   |

This read-only register signals the present state of the radio transceiver as well as the status of the CCA operation. A state change is initiated by writing a state transition command to the TRX\_CMD bits of register TRX\_STATE. The register is not accessible in SLEEP state.

- **Bit 7 – CCA\_DONE - CCA Algorithm Status**

This bit indicates if a CCA request is completed. This is also indicated by a TRX24\_CCA\_ED\_DONE interrupt. Note that register bit CCA\_DONE is cleared in response to a CCA\_REQUEST.

**Table 9-34** CCA\_DONE Register Bits

| Register Bits | Value | Description                  |
|---------------|-------|------------------------------|
| CCA_DONE      | 0     | CCA calculation not finished |
|               | 1     | CCA calculation finished     |

- **Bit 6 – CCA\_STATUS - CCA Status Result**

The result of the CCA measurement is available in register bit CCA\_STATUS after a CCA request is completed. Note that register bit CCA\_STATUS is cleared in response to a CCA\_REQUEST.

**Table 9-35** CCA\_STATUS Register Bits

| Register Bits | Value | Description                |
|---------------|-------|----------------------------|
| CCA_STATUS    | 0     | Channel indicated as busy. |
|               | 1     | Channel indicated as idle. |

- **Bit 5 – TST\_STATUS - Test mode status**

This bit is reserved for internal use. It indicates the status of the test mode.

**Table 9-36** TST\_STATUS Register Bits

| Register Bits | Value | Description            |
|---------------|-------|------------------------|
| TST_STATUS    | 0     | Test mode is disabled. |
|               | 1     | Test mode is active.   |

- **Bit 4:0 – TRX\_STATUS4:0 - Transceiver Main Status**

The register bits TRX\_STATUS signal the current radio transceiver status. Do not try to initiate a further state change while the radio transceiver is in STATE\_TRANSITION\_IN\_PROGRESS state. Values not listed in the following table are reserved.

**Table 9-37** TRX\_STATUS Register Bits

| Register Bits | Value | Description  |                              |
|---------------|-------|--------------|------------------------------|
| TRX_STATUS4:0 | 0x01  | BUSY_RX      |                              |
|               | 0x02  | BUSY_TX      |                              |
|               | 0x06  | RX_ON        |                              |
|               | 0x08  | TRX_OFF      |                              |
|               | 0x09  | PLL_ON       |                              |
|               | 0x0F  | SLEEP        |                              |
|               | 0x11  | BUSY_RX_AACK |                              |
|               | 0x12  | BUSY_TX_ARET |                              |
|               | 0x16  | RX_AACK_ON   |                              |
|               | 0x19  | TX_ARET_ON   |                              |
|               |       |              |                              |
|               |       | 0x1F         | STATE_TRANSITION_IN_PROGRESS |

### 9.12.6 TRX\_STATE – Transceiver State Control Register

|               |  |    |    |    |                  |
|---------------|--|----|----|----|------------------|
| Bit           | 7  | 6  | 5  | 4  |                  |
| NA (\$142)    | <b>TRAC_STATUS2 TRAC_STATUS1 TRAC_STATUS0 TRX_CMD4</b> |    |    |    | <b>TRX_STATE</b> |
| Read/Write    | R  | R  | R  | RW |                  |
| Initial Value | 0  | 0  | 0  | 0  |                  |
| Bit           | 3  | 2  | 1  | 0  |                  |
| NA (\$142)    | <b>TRX_CMD3 TRX_CMD2 TRX_CMD1 TRX_CMD0</b>             |    |    |    | <b>TRX_STATE</b> |
| Read/Write    | RW   | RW | RW | RW |                  |
| Initial Value | 0  | 0  | 0  | 0  |                  |

The states of the radio transceiver are controlled via register TRX\_STATE using register bits TRX\_CMD. The read-only register bits TRAC\_STATUS indicate the status or result of an Extended Operating Mode transaction. A successful state transition shall be confirmed by reading register bits TRX\_STATUS. This register is used for both Basic and Extended Operating Mode.

- **Bit 7:5 – TRAC\_STATUS2:0 - Transaction Status**

The status of the RX\_AACK and TX\_ARET procedure is indicated by register bits TRAC\_STATUS. TRAC\_STATUS is only valid in Extended Operating Modes (note, TRAC\_STATUS is valid 2us after the respective procedure is finished by TX\_END or RX\_END IRQ). Details of the algorithm and a description of the status information are given in the RX\_AACK\_ON and TX\_ARET\_ON sections of the data-sheet. Even though the reset value for register bits TRAC\_STATUS is 0, the RX\_AACK and TX\_ARET procedures set the register bits to TRAC\_STATUS = 7 (INVALID) when it is started. Not

all status values are used in both RX\_AACK and TX\_ARET transactions. In TX\_ARET the status SUCCESS\_DATA\_PENDING indicates a successful reception of an ACK frame with frame pending bit set to 1. In RX\_AACK the status SUCCESS\_WAIT\_FOR\_ACK indicates an ACK frame is about to sent in RX\_AACK slotted acknowledgment. Slotted acknowledgment operation must be enabled with the SLOTTED\_OPERATION bit of register XAH\_CTRL\_0. The application software must set the SLPTR bit of register TRXPWR at the next back-off slot boundary in order to initiate a transmission of the ACK frame. For details refer to IEEE 802.15.4-2006, chapter 5.5.4.1. Values not listed in the following table are reserved.

**Table 9-38 TRAC\_STATUS Register Bits**

| Register Bits  | Value | Description                      |
|----------------|-------|----------------------------------|
| TRAC_STATUS2:0 | 0     | SUCCESS (RX_AACK, TX_ARET)       |
|                | 1     | SUCCESS_DATA_PENDING (TX_ARET)   |
|                | 2     | SUCCESS_WAIT_FOR_ACK (RX_AACK)   |
|                | 3     | CHANNEL_ACCESS_FAILURE (TX_ARET) |
|                | 5     | NO_ACK (TX_ARET)                 |
|                | 7     | INVALID (RX_AACK, TX_ARET)       |

• **Bit 4:0 – TRX\_CMD4:0 - State Control Command**

A write access to register bits TRX\_CMD initiates a state transition of the radio transceiver towards the new state as defined by the write access. Do not try to initiate a further state change while the radio transceiver is in STATE\_TRANSITION\_IN\_PROGRESS state (see TRX\_STATUS register). FORCE\_PLL\_ON is not valid for the SLEEP state as well as during STATE\_TRANSITION\_IN\_PROGRESS towards the SLEEP state. Values not listed in the following table are reserved and mapped to NOP.

**Table 9-39 TRX\_CMD Register Bits**

| Register Bits | Value | Description    |
|---------------|-------|----------------|
| TRX_CMD4:0    | 0x00  | NOP            |
|               | 0x02  | TX_START       |
|               | 0x03  | FORCE_TRX_OFF  |
|               | 0x04  | FORCE_PLL_ON   |
|               | 0x06  | RX_ON          |
|               | 0x08  | TRX_OFF        |
|               | 0x09  | PLL_ON (TX_ON) |
|               | 0x16  | RX_AACK_ON     |
|               | 0x19  | TX_ARET_ON     |

**9.12.7 TRX\_CTRL\_0 – Reserved**

|               |             |             |             |             |             |             |             |             |            |
|---------------|-------------|-------------|-------------|-------------|-------------|-------------|-------------|-------------|------------|
| Bit           | 7           | 6           | 5           | 4           | 3           | 2           | 1           | 0           |            |
| NA (\$143)    | <b>Res7</b> | <b>Res6</b> | <b>Res5</b> | <b>Res4</b> | <b>Res3</b> | <b>Res2</b> | <b>Res1</b> | <b>Res0</b> | TRX_CTRL_0 |
| Read/Write    | RW          | RW          | RW          | RW          | RW          | RW          | RW          | RW          |            |
| Initial Value | 0           | 0           | 0           | 1           | 1           | 0           | 0           | 1           |            |

This register is reserved for future use.

• **Bit 7:0 – Res7:0 - Reserved**



These bits are reserved for future use.

### 9.12.8 TRX\_CTRL\_1 – Transceiver Control Register 1

|               |                  |                     |                       |                   |                   |
|---------------|------------------|---------------------|-----------------------|-------------------|-------------------|
| Bit           | 7                | 6                   | 5                     | 4                 |                   |
| NA (\$144)    | <b>PA_EXT_EN</b> | <b>IRQ_2_EXT_EN</b> | <b>TX_AUTO_CRC_ON</b> | <b>PLL_TX_FLT</b> | <b>TRX_CTRL_1</b> |
| Read/Write    | RW               | RW                  | RW                    | RW                |                   |
| Initial Value | 0                | 0                   | 1                     | 0                 |                   |
| Bit           | 3                | 2                   | 1                     | 0                 |                   |
| NA (\$144)    | <b>Res3</b>      | <b>Res2</b>         | <b>Res1</b>           | <b>Res0</b>       | <b>TRX_CTRL_1</b> |
| Read/Write    | R                | R                   | R                     | R                 |                   |
| Initial Value | 0                | 0                   | 0                     | 0                 |                   |

The TRX\_CTRL\_1 register is a multi purpose register to control various operating modes and settings of the radio transceiver.

- **Bit 7 – PA\_EXT\_EN - External PA support enable**

This register bit enables pin DIG3 and pin DIG4 to indicate the transmit state of the radio transceiver. The control of the external RF front-end is disabled when this bit is 0. Both pins DIG3 and DIG4 are then defined by the register of I/O ports F and G (PORTF, DDRF, PORTG, DDRG). The control of the external front-end is enabled when this bit is 1. DIG3 and DIG4 then indicate the state of the radio transceiver. Pin DIG3 is high and pin DIG4 is low in the state TX\_BUSY. In all other states pin DIG3 is low and pin DIG4 is high. It is recommended to set PA\_EXT\_EN=1 only in receive or transmit states to reduce the power consumption or avoid leakage current of external RF switches or other building blocks especially during SLEEP state.

- **Bit 6 – IRQ\_2\_EXT\_EN - Connect Frame Start IRQ to TC1**

When this bit is set to one the capture input of Timer/Counter 1 is connected to the RX frame start signal and pin DIG2 becomes an output, driving the RX frame start signal. Antenna Diversity RF switch control (ANT\_EXT\_SW\_EN=1) shall not be used at the same time, because it shares the same device pin. The function IRQ\_2\_EXT\_EN is available for alternate frame time stamping using Timer/Counter 1. In general the preferred method for frame time stamping is using the symbol counter.

- **Bit 5 – TX\_AUTO\_CRC\_ON - Enable Automatic CRC Calculation**

This register bit controls the automatic FCS generation for TX operations. The automatic FCS algorithm is performed autonomously by the radio transceiver if register bit TX\_AUTO\_CRC\_ON=1.

- **Bit 4 – PLL\_TX\_FLT - Enable PLL TX Filter**

PLL TX filtering controls the output spectrum of the transmitted signal to decrease sidelobes. This is required for systems with an external power amplifier. TX filtering influences the signal quality. The EVM of the transmitted signal slightly degrades.

- **Bit 3:0 – Res3:0 - Reserved**

## 9.12.9 PHY\_TX\_PWR – Transceiver Transmit Power Control Register

|               |             |             |             |             |                |                |                |                |            |
|---------------|-------------|-------------|-------------|-------------|----------------|----------------|----------------|----------------|------------|
| Bit           | 7           | 6           | 5           | 4           | 3              | 2              | 1              | 0              |            |
| NA (\$145)    | <b>Res3</b> | <b>Res2</b> | <b>Res1</b> | <b>Res0</b> | <b>TX_PWR3</b> | <b>TX_PWR2</b> | <b>TX_PWR1</b> | <b>TX_PWR0</b> | PHY_TX_PWR |
| Read/Write    | R           | R           | R           | R           | RW             | RW             | RW             | RW             |            |
| Initial Value | 0           | 0           | 0           | 0           | 0              | 0              | 0              | 0              |            |

This register controls the output power of the transmitter.

- **Bit 7:4 – Res3:0 - Reserved**
- **Bit 3:0 – TX\_PWR3:0 - Transmit Power Setting**

These register bits determine the TX output power of the radio transceiver.

**Table 9-40 TX\_PWR Register Bits**

| Register Bits | Value     | Description |
|---------------|-----------|-------------|
| TX_PWR3:0     | 0         | 3.5 dBm     |
|               | 1         | 3.3 dBm     |
|               | 2         | 2.8 dBm     |
|               | 3         | 2.3 dBm     |
|               | 4         | 1.8 dBm     |
|               | 5         | 1.2 dBm     |
|               | 6         | 0.5 dBm     |
|               | 7         | -0.5 dBm    |
|               | 8         | -1.5 dBm    |
|               | 9         | -2.5 dBm    |
|               | 10        | -3.5 dBm    |
|               | 11        | -4.5 dBm    |
|               | 12        | -6.5 dBm    |
|               | 13        | -8.5 dBm    |
|               | 14        | -11.5 dBm   |
| 15            | -16.5 dBm |             |

## 9.12.10 PARCR – Power Amplifier Ramp up/down Control Register

|               |               |               |               |               |               |               |               |               |       |
|---------------|---------------|---------------|---------------|---------------|---------------|---------------|---------------|---------------|-------|
| Bit           | 7             | 6             | 5             | 4             | 3             | 2             | 1             | 0             |       |
| NA (\$138)    | <b>PALTD2</b> | <b>PALTD1</b> | <b>PALTD0</b> | <b>PALTU2</b> | <b>PALTU1</b> | <b>PALTU0</b> | <b>PARDFI</b> | <b>PARUFI</b> | PARCR |
| Read/Write    | RW            | RW            | RW            | RW            | RW            | RW            | RW            | RW            |       |
| Initial Value | 0             | 1             | 1             | 0             | 1             | 1             | 0             | 0             |       |

This Register controls the power up and power down behavior of the Power Amplifier.

- **Bit 7:5 – PALTD2:0 - ext. PA Ramp Down Lead Time**

These bits control the ramp down lead time for the external power amplifier.

**Table 9-41 PALTD Register Bits**

| Register Bits | Value | Description |
|---------------|-------|-------------|
| PALTD2:0      | 0     | -3μs        |

| Register Bits | Value | Description |
|---------------|-------|-------------|
|               | 1     | -2μs        |
|               | 2     | -1μs        |
|               | 3     | 0μs         |
|               | 4     | 1μs         |
|               | 5     | 2μs         |
|               | 6     | 3μs         |
|               | 7     | 4μs         |

- **Bit 4:2 – PALTU2:0 - ext. PA Ramp Up Lead Time**

These bits control the ramp up lead time for the external power amplifier.

**Table 9-42** PALTU Register Bits

| Register Bits | Value | Description |
|---------------|-------|-------------|
| PALTU2:0      | 0     | -3μs        |
|               | 1     | -2μs        |
|               | 2     | -1μs        |
|               | 3     | 0μs         |
|               | 4     | 1μs         |
|               | 5     | 2μs         |
|               | 6     | 3μs         |
|               | 7     | 4μs         |

- **Bit 1 – PARDFI - Power Amplifier Ramp Down Frequency Inversion**

If this bit is clear, the PLL frequency is +500kHz (relative to carrier) while PA is ramping down and -500kHz otherwise.

- **Bit 0 – PARUFI - Power Amplifier Ramp Up Frequency Inversion**

If this bit is clear, the PLL frequency is -500kHz (relative to carrier) while PA is ramping up and +500kHz otherwise.

### 9.12.11 PHY\_RSSI – Receiver Signal Strength Indicator Register

|               |                     |                   |                   |              |                 |
|---------------|---------------------|-------------------|-------------------|--------------|-----------------|
| Bit           | 7                   | 6                 | 5                 | 4            |                 |
| NA (\$146)    | <b>RX_CRC_VALID</b> | <b>RND_VALUE1</b> | <b>RND_VALUE0</b> | <b>RSSI4</b> | <b>PHY_RSSI</b> |
| Read/Write    | R                   | R                 | R                 | R            |                 |
| Initial Value | 0                   | 0                 | 0                 | 0            |                 |
| Bit           | 3                   | 2                 | 1                 | 0            |                 |
| NA (\$146)    | <b>RSSI3</b>        | <b>RSSI2</b>      | <b>RSSI1</b>      | <b>RSSI0</b> | <b>PHY_RSSI</b> |
| Read/Write    | R                   | R                 | R                 | R            |                 |
| Initial Value | 0                   | 0                 | 0                 | 0            |                 |

The PHY\_RSSI register is a multi purpose register that indicates FCS validity, provides random numbers and shows the current RSSI value.

- **Bit 7 – RX\_CRC\_VALID - Received Frame CRC Status**

Reading this register bit indicates whether the last received frame has a valid FCS or not. The register bit is updated when issuing a TRX24\_RX\_END interrupt and remains

valid until the next TRX24\_RX\_END interrupt is issued, caused by a new frame reception.

**Table 9-43 RX\_CRC\_VALID Register Bits**

| Register Bits | Value | Description         |
|---------------|-------|---------------------|
| RX_CRC_VALID  | 0     | CRC (FCS) not valid |
|               | 1     | CRC (FCS) valid     |

- **Bit 6:5 – RND\_VALUE1:0 - Random Value**

A 2-bit random value can be retrieved by reading register bits RND\_VALUE. The value can be used for random numbers for security applications. Note that the radio transceiver shall be in Basic Operating Mode receive state. The values are updated every 1 μs. Ensure that register bit RX\_PDT\_DIS (register RX\_SYN) is set to 0 at least 1 μs before reading a random value.

- **Bit 4:0 – RSSI4:0 - Receiver Signal Strength Indicator**

The result of the automated RSSI measurement is stored in these register bits. The value is updated every 2μs in receive states. The read value is a number between 0 and 28 indicating the received signal strength as a linear curve on a logarithmic input power scale (dBm) with a resolution of 3 dB. A RSSI value of 0 indicates a RF input power lower than RSSI\_BASE\_VAL (-90 dBm). A value of 28 marks a power higher or equal to -10 dBm.

**Table 9-44 RSSI Register Bits**

| Register Bits | Value | Description                              |
|---------------|-------|--|
| RSSI4:0       | 0     | Minimum RSSI value: P(RF) < -90 dBm      |
|               | 1     | P(RF) = RSSI_BASE_VAL+3 · (RSSI-1) [dBm] |
|               | 2     | ...                                      |
|               | 28    | Maximum RSSI value: P(RF) ≥ -10 dBm      |

## 9.12.12 PHY\_ED\_LEVEL – Transceiver Energy Detection Level Register

|               |                  |                  |                  |                  |                     |
|---------------|------------------|------------------|------------------|------------------|---------------------|
| Bit           | 7                | 6                | 5                | 4                |                     |
| NA (\$147)    | <b>ED_LEVEL7</b> | <b>ED_LEVEL6</b> | <b>ED_LEVEL5</b> | <b>ED_LEVEL4</b> | <b>PHY_ED_LEVEL</b> |
| Read/Write    | R                | R                | R                | R                |                     |
| Initial Value | 1                | 1                | 1                | 1                |                     |
| Bit           | 3                | 2                | 1                | 0                |                     |
| NA (\$147)    | <b>ED_LEVEL3</b> | <b>ED_LEVEL2</b> | <b>ED_LEVEL1</b> | <b>ED_LEVEL0</b> | <b>PHY_ED_LEVEL</b> |
| Read/Write    | R                | R                | R                | R                |                     |
| Initial Value | 1                | 1                | 1                | 1                |                     |

This register contains the result of an Energy Detection measurement.

- **Bit 7:0 – ED\_LEVEL7:0 - Energy Detection Level**

The minimum ED value (ED\_LEVEL = 0) indicates a receiver power less than or equal to RSSI\_BASE\_VAL. The range is 83 dB with a resolution of 1 dB and an absolute accuracy of ±5 dB. A manual ED measurement can be initiated by a write access to this register. A value of 0xFF signals that no measurement has yet been started (reset value). The measurement duration is 8 symbol periods (128 μs) for a data rate of 250 kb/s. For High Data Rate Modes the automated measurement duration is reduced to 32 μs. For manually initiated ED measurements in these modes the measurement period is

still 128  $\mu$ s as long as the receiver is in RX\_ON state. A value other than 0xFF indicates the result of the last ED measurement.

**Table 9-45 ED\_LEVEL Register Bits**

| Register Bits | Value | Description  |
|---------------|-------|--|
| ED_LEVEL7:0   | 0x00  | Minimum result of last ED measurement              |
|               | 0x01  | $P(RF) = \text{RSSI\_BASE\_VAL} + \text{ED}$ [dBm] |
|               | 0x02  | ...  |
|               | 0x53  | Maximum result of last ED measurement              |
|               | 0xFF  | Reset value  |

### 9.12.13 PHY\_CC\_CCA – Transceiver Clear Channel Assessment (CCA) Control Register

|               |   |    |    |    |            |
|---------------|---|----|----|----|------------|
| Bit           | 7   | 6  | 5  | 4  |            |
| NA (\$148)    | <b>CCA_REQUEST   CCA_MODE1   CCA_MODE0   CHANNEL4</b> |    |    |    | PHY_CC_CCA |
| Read/Write    | RW  | RW | RW | RW |            |
| Initial Value | 0   | 0  | 1  | 0  |            |
| Bit           | 3   | 2  | 1  | 0  |            |
| NA (\$148)    | <b>CHANNEL3   CHANNEL2   CHANNEL1   CHANNEL0</b>      |    |    |    | PHY_CC_CCA |
| Read/Write    | RW  | RW | RW | RW |            |
| Initial Value | 1   | 0  | 1  | 1  |            |

This register is provided to initiate and control a CCA measurement.

- **Bit 7 – CCA\_REQUEST - Manual CCA Measurement Request**

A manual CCA measurement is initiated with setting CCA\_REQUEST=1. The end of the CCA measurement is indicated by the TRX24\_CCA\_ED\_DONE interrupt. Register bits CCA\_DONE and CCA\_STATUS of register TRX\_STATUS are updated after a CCA\_REQUEST. The register bit is automatically cleared after requesting a CCA measurement with CCA\_REQUEST=1.

- **Bit 6:5 – CCA\_MODE1:0 - Select CCA Measurement Mode**

The CCA mode can be selected using these register bits. Note that IEEE 802.15.4-2006 CCA Mode 3 defines the logical combination of CCA Mode 1 and 2 with the logical operators AND or OR. This can be selected with CCA\_MODE=0 for logical operation OR and CCA\_MODE=3 for logical operation AND.

**Table 9-46 CCA\_MODE Register Bits**

| Register Bits | Value | Description                                       |
|---------------|-------|---|
| CCA_MODE1:0   | 0     | Mode 3a, Carrier sense OR energy above threshold  |
|               | 1     | Mode 1, Energy above threshold                    |
|               | 2     | Mode 2, Carrier sense only                        |
|               | 3     | Mode 3b, Carrier sense AND energy above threshold |

- **Bit 4:0 – CHANNEL4:0 - RX/TX Channel Selection**

These register bits define the RX/TX channel. The channel assignment is according to IEEE 802.15.4.



**Table 9-47 CHANNEL Register Bits**

| Register Bits | Value    | Description |
|---------------|----------|-------------|
| CHANNEL4:0    | 11       | 2405 MHz    |
|               | 12       | 2410 MHz    |
|               | 13       | 2415 MHz    |
|               | 14       | 2420 MHz    |
|               | 15       | 2425 MHz    |
|               | 16       | 2430 MHz    |
|               | 17       | 2435 MHz    |
|               | 18       | 2440 MHz    |
|               | 19       | 2445 MHz    |
|               | 20       | 2450 MHz    |
|               | 21       | 2455 MHz    |
|               | 22       | 2460 MHz    |
|               | 23       | 2465 MHz    |
|               | 24       | 2470 MHz    |
|               | 25       | 2475 MHz    |
| 26            | 2480 MHz |             |

## 9.12.14 CCA\_THRES – Transceiver CCA Threshold Setting Register

|               |                      |    |                      |
|---------------|----------------------|----|----------------------|
| Bit           | 7                    | 6  |                      |
| NA (\$149)    | <b>CCA_CS_THRES3</b> |    | <b>CCA_CS_THRES2</b> |
| Read/Write    | RW                   | RW | CCA_THRES            |
| Initial Value | 1                    | 1  |                      |
| Bit           | 5                    | 4  |                      |
| NA (\$149)    | <b>CCA_CS_THRES1</b> |    | <b>CCA_CS_THRES0</b> |
| Read/Write    | RW                   | RW | CCA_THRES            |
| Initial Value | 0                    | 0  |                      |
| Bit           | 3                    | 2  |                      |
| NA (\$149)    | <b>CCA_ED_THRES3</b> |    | <b>CCA_ED_THRES2</b> |
| Read/Write    | RW                   | RW | CCA_THRES            |
| Initial Value | 0                    | 1  |                      |
| Bit           | 1                    | 0  |                      |
| NA (\$149)    | <b>CCA_ED_THRES1</b> |    | <b>CCA_ED_THRES0</b> |
| Read/Write    | RW                   | RW | CCA_THRES            |
| Initial Value | 1                    | 1  |                      |

This register sets the threshold level for the Energy Detection (ED) of the Clear Channel Assessment (CCA).

- **Bit 7:4 – CCA\_CS\_THRES3:0 - CS Threshold Level for CCA Measurement**  
These bits are reserved for internal use.
- **Bit 3:0 – CCA\_ED\_THRES3:0 - ED Threshold Level for CCA Measurement**

These bits define the received power threshold of the Energy above threshold algorithm. The threshold is calculated by  $RSSI\_BASE\_VAL + 2CCA\_ED\_THRES$  [dBm]. Any received power above this level is interpreted as a busy channel.

## 9.12.15 RX\_CTRL – Transceiver Receive Control Register

|               |   |    |    |    |                |
|---------------|---|----|----|----|----------------|
| Bit           | 7   | 6  | 5  | 4  |                |
| NA (\$14A)    | <b>SDM_MODE1    SDM_MODE0    ACR_MODE    SOFT_MODE</b>      |    |    |    | <b>RX_CTRL</b> |
| Read/Write    | RW  | RW | RW | RW |                |
| Initial Value | 1   | 0  | 1  | 1  |                |
| Bit           | 3   | 2  | 1  | 0  |                |
| NA (\$14A)    | <b>PDT_THRES3    PDT_THRES2    PDT_THRES1    PDT_THRES0</b> |    |    |    | <b>RX_CTRL</b> |
| Read/Write    | RW  | RW | RW | RW |                |
| Initial Value | 0   | 1  | 1  | 1  |                |

The register controls the sensitivity of the Antenna Diversity Mode. Note that in High Data Rate modes the ACR module will always be disabled.

- **Bit 7:6 – SDM\_MODE1:0 - Sigma-Delta Modulator Order and Delay Compensation**

These bits are reserved for internal use. They select the order of the sigma-delta modulator (SDM), turn on or off the delay compensation unit (DCU) and other internal functions.

**Table 9-48** SDM\_MODE Register Bits

| Register Bits | Value | Description                                   |
|---------------|-------|---|
| SDM_MODE1:0   | 0     | SDM mode 1 selected (Mash 1), DCU turned on   |
|               | 1     | SDM mode 1 with random carry threshold        |
|               | 2     | SDM mode 2 selected (Mash 1-1), DCU turned on |
|               | 3     | SDM mode 2 with random ACCU2                  |

- **Bit 5 – ACR\_MODE - Adjacent Channel Rejection Mode**

This bit is reserved for internal use. It turns on or off the ACR module. For high rate modes the ACR module will be always disabled.

- **Bit 4 – SOFT\_MODE - Correlator Soft Mode**

This bit is reserved for internal use. It controls the correlation function of the digital baseband processor. Furthermore the bit enables or disables the data scrambling in the high data rate modes.

- **Bit 3:0 – PDT\_THRES3:0 - Receiver Sensitivity Control**

These register bits control the sensitivity of the receiver correlation unit. If the Antenna Diversity algorithm is enabled the value shall be set to  $PDT\_THRES = 3$ . Otherwise it shall be set back to the reset value. Values not listed in the following table are reserved.

**Table 9-49** PDT\_THRES Register Bits

| Register Bits | Value | Description  |
|---------------|-------|--|
| PDT_THRES3:0  | 0x7   | Reset value, to be used if Antenna Diversity algorithm is disabled |

| Register Bits | Value | Description  |
|---------------|-------|--|
|               | 0x3   | Recommended correlator threshold for Antenna Diversity operation |

## 9.12.16 SFD\_VALUE – Start of Frame Delimiter Value Register

| Bit           | 7                   | 6  | 5  | 4  | 3  | 2  | 1  | 0  |                  |
|---------------|---------------------|----|----|----|----|----|----|----|------------------|
| NA (\$14B)    | <b>SFD_VALUE7:0</b> |    |    |    |    |    |    |    | <b>SFD_VALUE</b> |
| Read/Write    | RW                  | RW | RW | RW | RW | RW | RW | RW |                  |
| Initial Value | 1                   | 0  | 1  | 0  | 0  | 1  | 1  | 1  |                  |

This register contains the one octet start-of-frame delimiter (SFD) to synchronize to a received frame. The lower 4 bits must not be all zero to avoid decoding conflicts.

- **Bit 7:0 – SFD\_VALUE7:0 - Start of Frame Delimiter Value**

For compliant IEEE 802.15.4 networks set SFD\_VALUE = 0xA7. This is the default value of the register. To establish non IEEE 802.15.4 compliant networks the SFD value can be changed to any other value. If enabled a RX\_START interrupt is issued only if the received SFD matches the register content of SFD\_VALUE and a valid PHR is received.

**Table 9-50** SFD\_VALUE Register Bits

| Register Bits | Value | Description                              |
|---------------|-------|--|
| SFD_VALUE7:0  | 0xA7  | IEEE 802.15.4 compliant value of the SFD |

## 9.12.17 TRX\_CTRL\_2 – Transceiver Control Register 2

| Bit           | 7                   | 6           | 5                       | 4                       |                   |
|---------------|---------------------|-------------|-------------------------|-------------------------|-------------------|
| NA (\$14C)    | <b>RX_SAFE_MODE</b> | <b>Res4</b> | <b>Res3</b>             | <b>Res2</b>             | <b>TRX_CTRL_2</b> |
| Read/Write    | RW                  | R           | R                       | R                       |                   |
| Initial Value | 0                   | 0           | 0                       | 0                       |                   |
| Bit           | 3                   | 2           | 1                       | 0                       |                   |
| NA (\$14C)    | <b>Res1</b>         | <b>Res0</b> | <b>OQPSK_DATA_RATE1</b> | <b>OQPSK_DATA_RATE0</b> | <b>TRX_CTRL_2</b> |
| Read/Write    | R                   | R           | RW                      | RW                      |                   |
| Initial Value | 0                   | 0           | 0                       | 0                       |                   |

This register controls the data rate setting of the radio transceiver.

- **Bit 7 – RX\_SAFE\_MODE - RX Safe Mode**

If this bit is set, the next received frame will be protected and not overwritten by following frames. Set this bit to 0 to release the buffer (and set it again for further protection).

- **Bit 6:2 – Res4:0 - Reserved**

- **Bit 1:0 – OQPSK\_DATA\_RATE1:0 - Data Rate Selection**

A write access to these register bits sets the OQPSK PSDU data rate used by the radio transceiver. The reset value OQPSK\_DATA\_RATE = 0 is the PSDU data rate according to IEEE 802.15.4. All other values are used in High Data Rate Modes.

**Table 9-51 OQPSK\_DATA\_RATE Register Bits**

| Register Bits      | Value | Description                        |
|--------------------|-------|------------------------------------|
| OQPSK_DATA_RATE1:0 | 0     | 250 kb/s (IEEE 802.15.4 compliant) |
|                    | 1     | 500 kb/s                           |
|                    | 2     | 1000 kb/s                          |
|                    | 3     | 2000 kb/s                          |

**9.12.18 ANT\_DIV – Antenna Diversity Control Register**

|               |  |    |    |    |                |
|---------------|--|----|----|----|----------------|
| Bit           | 7  | 6  | 5  | 4  |                |
| NA (\$14D)    | <b>ANT_SEL      Res2      Res1      Res0</b>                 |    |    |    | <b>ANT_DIV</b> |
| Read/Write    | R  | R  | R  | R  |                |
| Initial Value | 0  | 0  | 0  | 0  |                |
| Bit           | 3  | 2  | 1  | 0  |                |
| NA (\$14D)    | <b>ANT_DIV_EN    ANT_EXT_SW_EN    ANT_CTRL1    ANT_CTRL0</b> |    |    |    | <b>ANT_DIV</b> |
| Read/Write    | RW   | RW | RW | RW |                |
| Initial Value | 0  | 0  | 1  | 1  |                |

This register controls the Antenna Diversity.

- **Bit 7 – ANT\_SEL - Antenna Diversity Antenna Status**

This register bit signals the currently selected antenna path. The selection may be based either on the last antenna diversity cycle (ANT\_DIV\_EN = 1) or on the content of register bits ANT\_CTRL.

**Table 9-52 ANT\_SEL Register Bits**

| Register Bits | Value | Description |
|---------------|-------|-------------|
| ANT_SEL       | 0     | Antenna 0   |
|               | 1     | Antenna 1   |

- **Bit 6:4 – Res2:0 - Reserved**

- **Bit 3 – ANT\_DIV\_EN - Enable Antenna Diversity**

If this register bit is set the Antenna Diversity algorithm is enabled. On reception of a frame the algorithm selects an antenna autonomously during SHR search. This selection is kept until

1. A new SHR search starts or
2. Receive states are left or
3. A manually programming of bits ANT\_CTRL occurred. If ANT\_DIV\_EN = 1 the bit ANT\_EXT\_SW\_EN shall also be set to 1.

**Table 9-53 ANT\_DIV\_EN Register Bits**

| Register Bits | Value | Description                          |
|---------------|-------|--------------------------------------|
| ANT_DIV_EN    | 0     | Antenna Diversity algorithm disabled |
|               | 1     | Antenna Diversity algorithm enabled  |

- **Bit 2 – ANT\_EXT\_SW\_EN - Enable External Antenna Switch Control**

If enabled, pin DIG1 and pin DIG2 become output pins and provide a differential control signal for an external Antenna Diversity switch. The selection of a specific antenna is done either by the automatic Antenna Diversity algorithm (ANT\_DIV\_EN = 1) or

according to bits ANT\_CTRL if the Antenna Diversity algorithm is disabled. Do not enable Antenna Diversity RF switch control (ANT\_EXT\_SW\_EN = 1) and RX Frame Time Stamping (IRQ\_2\_EXT\_EN = 1, see register TRX\_CTRL\_1) at the same time. If this bit is set the control pins DIG1/DIG2 are activated in all radio transceiver states as long as bit ANT\_EXT\_SW\_EN is also set. If the radio transceiver is not in a receive or transmit state, it is recommended to disable bit ANT\_EXT\_SW\_EN to reduce the power consumption or avoid leakage current of an external RF switch especially during SLEEP state. If bit ANT\_EXT\_SW\_EN = 0, the output pins DIG1 and DIG2 are controlled by the register of I/O ports F and G (PORTF, DDRF, PORTG, DDRG).

**Table 9-54 ANT\_EXT\_SW\_EN Register Bits**

| Register Bits | Value | Description                                  |
|---------------|-------|--|
| ANT_EXT_SW_EN | 0     | Antenna Diversity RF switch control disabled |
|               | 1     | Antenna Diversity RF switch control enabled  |

- **Bit 1:0 – ANT\_CTRL1:0 - Static Antenna Diversity Switch Control**

These bits provide a static control of an Antenna Diversity switch. This register setting defines the selected antenna if ANT\_DIV\_EN is set to 0 (Antenna Diversity disabled). Register values 1 and 2 are valid for ANT\_EXT\_SW\_EN = 1.

**Table 9-55 ANT\_CTRL Register Bits**

| Register Bits | Value | Description   |
|---------------|-------|---|
| ANT_CTRL1:0   | 0     | Reserved  |
|               | 1     | Antenna 1: DIG1=L, DIG2=H   |
|               | 2     | Antenna 0: DIG1=H, DIG2=L   |
|               | 3     | Default value for ANT_EXT_SW_EN=0; Mandatory setting for applications not using Antenna Diversity |

## 9.12.19 IRQ\_MASK – Transceiver Interrupt Enable Register

|               |                  |                    |                      |                       |                 |
|---------------|------------------|--------------------|----------------------|-----------------------|-----------------|
| Bit           | 7                | 6                  | 5                    | 4                     |                 |
| NA (\$14E)    | <b>AWAKE_EN</b>  | <b>TX_END_EN</b>   | <b>AMI_EN</b>        | <b>CCA_ED_DONE_EN</b> | <b>IRQ_MASK</b> |
| Read/Write    | RW               | RW                 | RW                   | RW                    |                 |
| Initial Value | 0                | 0                  | 0                    | 0                     |                 |
| Bit           | 3                | 2                  | 1                    | 0                     |                 |
| NA (\$14E)    | <b>RX_END_EN</b> | <b>RX_START_EN</b> | <b>PLL_UNLOCK_EN</b> | <b>PLL_LOCK_EN</b>    | <b>IRQ_MASK</b> |
| Read/Write    | RW               | RW                 | RW                   | RW                    |                 |
| Initial Value | 0                | 0                  | 0                    | 0                     |                 |

This register is used to enable or disable individual interrupts of the radio transceiver. An interrupt is enabled if the corresponding bit is set to 1. All interrupts are disabled after the power up sequence or reset. If an interrupt is enabled it is recommended to read the interrupt status register IRQ\_STATUS first to clear the history.

- **Bit 7 – AWAKE\_EN - Awake Interrupt Enable**
- **Bit 6 – TX\_END\_EN - TX\_END Interrupt Enable**
- **Bit 5 – AMI\_EN - Address Match Interrupt Enable**
- **Bit 4 – CCA\_ED\_DONE\_EN - End of ED Measurement Interrupt Enable**
- **Bit 3 – RX\_END\_EN - RX\_END Interrupt Enable**

- **Bit 2 – RX\_START\_EN - RX\_START Interrupt Enable**
- **Bit 1 – PLL\_UNLOCK\_EN - PLL Unlock Interrupt Enable**
- **Bit 0 – PLL\_LOCK\_EN - PLL Lock Interrupt Enable**

## 9.12.20 IRQ\_MASK1 – Transceiver Interrupt Enable Register 1

|               |                     |    |                     |
|---------------|---------------------|----|---------------------|
| Bit           | 7                   | 6  |                     |
| NA (\$BE)     | <b>Res2</b>         |    | <b>Res1</b>         |
| Read/Write    | R                   | R  |                     |
| Initial Value | 0                   | 0  |                     |
| Bit           | 5                   | 4  |                     |
| NA (\$BE)     | <b>Res0</b>         |    | <b>MAF_3_AMI_EN</b> |
| Read/Write    | R                   | RW |                     |
| Initial Value | 0                   | 0  |                     |
| Bit           | 3                   | 2  |                     |
| NA (\$BE)     | <b>MAF_2_AMI_EN</b> |    | <b>MAF_1_AMI_EN</b> |
| Read/Write    | RW                  | RW |                     |
| Initial Value | 0                   | 0  |                     |
| Bit           | 1                   | 0  |                     |
| NA (\$BE)     | <b>MAF_0_AMI_EN</b> |    | <b>TX_START_EN</b>  |
| Read/Write    | RW                  | RW |                     |
| Initial Value | 0                   | 0  |                     |

This register is used to enable or disable additional interrupts of the radio transceiver. An interrupt is enabled if the corresponding bit is set to 1. All interrupts are disabled after the power up sequence or reset. If an interrupt is enabled it is recommended to read the interrupt status register IRQ\_STATUS first to clear the history.

- **Bit 7:5 – Res2:0 - Reserved Bit**
- **Bit 4 – MAF\_3\_AMI\_EN - Address Match Interrupt enable Address filter 3**
- **Bit 3 – MAF\_2\_AMI\_EN - Address Match Interrupt enable Address filter 2**
- **Bit 2 – MAF\_1\_AMI\_EN - Address Match Interrupt enable Address filter 1**
- **Bit 1 – MAF\_0\_AMI\_EN - Address Match Interrupt enable Address filter 0**
- **Bit 0 – TX\_START\_EN - Transmit Start Interrupt enable**

## 9.12.21 IRQ\_STATUS – Transceiver Interrupt Status Register

|               |               |                 |                   |                    |                   |
|---------------|---------------|-----------------|-------------------|--------------------|-------------------|
| Bit           | 7             | 6               | 5                 | 4                  |                   |
| NA (\$14F)    | <b>AWAKE</b>  | <b>TX_END</b>   | <b>AMI</b>        | <b>CCA_ED_DONE</b> | <b>IRQ_STATUS</b> |
| Read/Write    | RW            | RW              | RW                | RW                 |                   |
| Initial Value | 0             | 0               | 0                 | 0                  |                   |
| Bit           | 3             | 2               | 1                 | 0                  |                   |
| NA (\$14F)    | <b>RX_END</b> | <b>RX_START</b> | <b>PLL_UNLOCK</b> | <b>PLL_LOCK</b>    | <b>IRQ_STATUS</b> |
| Read/Write    | RW            | RW              | RW                | RW                 |                   |
| Initial Value | 0             | 0               | 0                 | 0                  |                   |

This register contains the status of the pending interrupt requests. An interrupt is pending if the associated bit has a value of one. Such a pending interrupts can be manually cleared by writing a 1 to that register bit. Interrupts are automatically cleared when the corresponding interrupt service routine is being executed.

- **Bit 7 – AWAKE - Awake Interrupt Status**
- **Bit 6 – TX\_END - TX\_END Interrupt Status**
- **Bit 5 – AMI - Address Match Interrupt Status**
- **Bit 4 – CCA\_ED\_DONE - End of ED Measurement Interrupt Status**
- **Bit 3 – RX\_END - RX\_END Interrupt Status**
- **Bit 2 – RX\_START - RX\_START Interrupt Status**
- **Bit 1 – PLL\_UNLOCK - PLL Unlock Interrupt Status**
- **Bit 0 – PLL\_LOCK - PLL Lock Interrupt Status**

## 9.12.22 IRQ\_STATUS1 – Transceiver Interrupt Status Register 1

|               |                  |                  |                  |                  |             |
|---------------|------------------|------------------|------------------|------------------|-------------|
| Bit           | 7                | 6                | 5                | 4                |             |
| NA (\$BF)     | <b>Res2</b>      | <b>Res1</b>      | <b>Res0</b>      | <b>MAF_3_AMI</b> | IRQ_STATUS1 |
| Read/Write    | R                | R                | R                | RW               |             |
| Initial Value | 0                | 0                | 0                | 0                |             |
| Bit           | 3                | 2                | 1                | 0                |             |
| NA (\$BF)     | <b>MAF_2_AMI</b> | <b>MAF_1_AMI</b> | <b>MAF_0_AMI</b> | <b>TX_START</b>  | IRQ_STATUS1 |
| Read/Write    | RW               | RW               | RW               | RW               |             |
| Initial Value | 0                | 0                | 0                | 0                |             |

This register contains the status of additional pending interrupt requests. An interrupt is pending if the associated bit has a value of one. Such a pending interrupts can be manually cleared by writing a 1 to that register bit. Interrupts are automatically cleared when the corresponding interrupt service routine is being executed.

- **Bit 7:5 – Res2:0 - Reserved Bit**
- **Bit 4 – MAF\_3\_AMI - Address Match Interrupt Status Address filter 3**
- **Bit 3 – MAF\_2\_AMI - Address Match Interrupt Status Address filter 2**
- **Bit 2 – MAF\_1\_AMI - Address Match Interrupt Status Address filter 1**
- **Bit 1 – MAF\_0\_AMI - Address Match Interrupt Status Address filter 0**
- **Bit 0 – TX\_START - Transmit Start Interrupt Status**

## 9.12.23 VREG\_CTRL – Voltage Regulator Control and Status Register

|               |                  |                |                    |                    |           |
|---------------|------------------|----------------|--------------------|--------------------|-----------|
| Bit           | 7                | 6              | 5                  | 4                  |           |
| NA (\$150)    | <b>AVREG_EXT</b> | <b>AVDD_OK</b> | <b>AVREG_TRIM1</b> | <b>AVREG_TRIM0</b> | VREG_CTRL |
| Read/Write    | RW               | R              | RW                 | RW                 |           |
| Initial Value | 0                | 0              | 0                  | 0                  |           |
| Bit           | 3                | 2              | 1                  | 0                  |           |
| NA (\$150)    | <b>DVREG_EXT</b> | <b>DVDD_OK</b> | <b>DVREG_TRIM1</b> | <b>DVREG_TRIM0</b> | VREG_CTRL |
| Read/Write    | RW               | R              | RW                 | RW                 |           |
| Initial Value | 0                | 0              | 0                  | 0                  |           |

This register controls the use of the voltage regulators and indicates their status.

- **Bit 7 – AVREG\_EXT - Use External AVDD Regulator**

This bit is reserved for IC test and should not be modified by the application firmware. If set, this register bit disables the internal analog voltage regulator to apply an external regulated 1.8V supply for the analog building blocks.

**Table 9-56** AVREG\_EXT Register Bits

| Register Bits | Value | Description  |
|---------------|-------|--|
| AVREG_EXT     | 0     | Internal AVDD voltage regulator for the analog section is enabled. |
|               | 1     | Internal AVDD voltage regulator is disabled.                       |

- **Bit 6 – AVDD\_OK - AVDD Supply Voltage Valid**

This register bit indicates if the internal 1.8V regulated voltage supply AVDD has settled. The bit is set to logic high if AVREG\_EXT = 1.

**Table 9-57** AVDD\_OK Register Bits

| Register Bits | Value | Description  |
|---------------|-------|--|
| AVDD_OK       | 0     | Analog voltage regulator disabled or supply voltage not stable |
|               | 1     | Analog supply voltage has settled                              |

- **Bit 5:4 – AVREG\_TRIM1:0 - Adjust AVDD Supply Voltage**

These bits are reserved for internal use. They allow adjusting the value of the analog supply voltage (AVDD).

**Table 9-58** AVREG\_TRIM Register Bits

| Register Bits | Value | Description |
|---------------|-------|-------------|
| AVREG_TRIM1:0 | 0     | 1.80V       |
|               | 1     | 1.75V       |
|               | 2     | 1.84V       |
|               | 3     | 1.88V       |

- **Bit 3 – DVREG\_EXT - Use External DVDD Regulator**

This bit may be set in the Register, but is deactivated in the design. The DVREG\_EXT functionality to deactivate the digital voltage regulator is no implemented anymore

**Table 9-59** DVREG\_EXT Register Bits

| Register Bits | Value | Description  |
|---------------|-------|--|
| DVREG_EXT     | 0     | Internal DVDD voltage regulator for the digital section is enabled.  |
|               | 1     | Internal DVDD voltage regulator is disabled; use external regulated 1.8V supply voltage for the digital section. |

- **Bit 2 – DVDD\_OK - DVDD Supply Voltage Valid**

This register bit indicates if the internal 1.8V regulated voltage supply DVDD has settled. The bit is set to logic high if DVREG\_EXT = 1.

**Table 9-60** DVDD\_OK Register Bits

| Register Bits | Value | Description   |
|---------------|-------|---|
| DVDD_OK       | 0     | Digital voltage regulator disabled or supply voltage not stable |



| Register Bits | Value | Description                        |
|---------------|-------|------------------------------------|
|               | 1     | Digital supply voltage has settled |

- **Bit 1:0 – DVREG\_TRIM1:0 - Adjust DVDD Supply Voltage**

These bits are reserved for internal use. They allow adjusting the value of the digital supply voltage (DVDD).

**Table 9-61** DVREG\_TRIM Register Bits

| Register Bits | Value | Description |
|---------------|-------|-------------|
| DVREG_TRIM1:0 | 0     | 1.80V       |
|               | 1     | 1.75V       |
|               | 2     | 1.84V       |
|               | 3     | 1.88V       |

## 9.12.24 BATMON – Battery Monitor Control and Status Register

| Bit           | 7                  | 6                  | 5                  | 4                  |               |
|---------------|--------------------|--------------------|--------------------|--------------------|---------------|
| NA (\$151)    | <b>BAT_LOW</b>     | <b>BAT_LOW_EN</b>  | <b>BATMON_OK</b>   | <b>BATMON_HR</b>   | <b>BATMON</b> |
| Read/Write    | RW                 | RW                 | R                  | RW                 |               |
| Initial Value | 0                  | 0                  | 0                  | 0                  |               |
| Bit           | 3                  | 2                  | 1                  | 0                  |               |
| NA (\$151)    | <b>BATMON_VTH3</b> | <b>BATMON_VTH2</b> | <b>BATMON_VTH1</b> | <b>BATMON_VTH0</b> | <b>BATMON</b> |
| Read/Write    | RW                 | RW                 | RW                 | RW                 |               |
| Initial Value | 0                  | 0                  | 1                  | 0                  |               |

This register configures the battery monitor to observe the supply voltage at EVDD. The status of the EVDD supply voltage is accessible by reading bit BATMON\_OK with respect to the actual BATMON settings. Furthermore the Battery Monitor Interrupt can be controlled with the bits BAT\_LOW and BAT\_LOW\_EN similar to the function of the IRQ\_STATUS and IRQ\_MASK register for other radio transceiver interrupts.

- **Bit 7 – BAT\_LOW - Battery Monitor Interrupt Status**

A BATMON Interrupt is pending if this bit is set. Writing one to this bit if it has been at one will clear the interrupt.

- **Bit 6 – BAT\_LOW\_EN - Battery Monitor Interrupt Enable**

The Battery Monitor Interrupt is enabled if this bit is set to one. The Battery Monitor will not generate an interrupt if this bit is zero.

- **Bit 5 – BATMON\_OK - Battery Monitor Status**

The register bit BATMON\_OK indicates the level of the external supply voltage with respect to the programmed threshold BATMON\_VTH.

**Table 9-62** BATMON\_OK Register Bits

| Register Bits | Value | Description                                 |
|---------------|-------|---|
| BATMON_OK     | 0     | The battery voltage is below the threshold. |
|               | 1     | The battery voltage is above the threshold. |

- **Bit 4 – BATMON\_HR - Battery Monitor Voltage Range**

This bit sets the range and resolution of the battery monitor.

**Table 9-63** BATMON\_HR Register Bits

| Register Bits | Value | Description                            |
|---------------|-------|--|
| BATMON_HR     | 0     | Enables the low range, see BATMON_VTH  |
|               | 1     | Enables the high range, see BATMON_VTH |

- **Bit 3:0 – BATMON\_VTH3:0 - Battery Monitor Threshold Voltage**

The threshold values for the battery monitor are set by these register bits according to the following table.

**Table 9-64** BATMON\_VTH Register Bits

| Register Bits | Value | Description                    |
|---------------|-------|--------------------------------|
| BATMON_VTH3:0 | 0x0   | 2.550V / 1.70V (BATMON_HR=1/0) |
|               | 0x1   | 2.625V / 1.75V (BATMON_HR=1/0) |
|               | 0x2   | 2.700V / 1.80V (BATMON_HR=1/0) |
|               | 0x3   | 2.775V / 1.85V (BATMON_HR=1/0) |
|               | 0x4   | 2.850V / 1.90V (BATMON_HR=1/0) |
|               | 0x5   | 2.925V / 1.95V (BATMON_HR=1/0) |
|               | 0x6   | 3.000V / 2.00V (BATMON_HR=1/0) |
|               | 0x7   | 3.075V / 2.05V (BATMON_HR=1/0) |
|               | 0x8   | 3.150V / 2.10V (BATMON_HR=1/0) |
|               | 0x9   | 3.225V / 2.15V (BATMON_HR=1/0) |
|               | 0xA   | 3.300V / 2.20V (BATMON_HR=1/0) |
|               | 0xB   | 3.375V / 2.25V (BATMON_HR=1/0) |
|               | 0xC   | 3.450V / 2.30V (BATMON_HR=1/0) |
|               | 0xD   | 3.525V / 2.35V (BATMON_HR=1/0) |
|               | 0xE   | 3.600V / 2.40V (BATMON_HR=1/0) |
|               | 0xF   | 3.675V / 2.45V (BATMON_HR=1/0) |

### 9.12.25 XOSC\_CTRL – Crystal Oscillator Control Register

|               |                   |                   |                   |                   |                  |
|---------------|-------------------|-------------------|-------------------|-------------------|------------------|
| Bit           | 7                 | 6                 | 5                 | 4                 |                  |
| NA (\$152)    | <b>XTAL_MODE3</b> | <b>XTAL_MODE2</b> | <b>XTAL_MODE1</b> | <b>XTAL_MODE0</b> | <b>XOSC_CTRL</b> |
| Read/Write    | RW                | RW                | RW                | RW                |                  |
| Initial Value | 1                 | 1                 | 1                 | 1                 |                  |
| Bit           | 3                 | 2                 | 1                 | 0                 |                  |
| NA (\$152)    | <b>XTAL_TRIM3</b> | <b>XTAL_TRIM2</b> | <b>XTAL_TRIM1</b> | <b>XTAL_TRIM0</b> | <b>XOSC_CTRL</b> |
| Read/Write    | RW                | RW                | RW                | RW                |                  |
| Initial Value | 0                 | 0                 | 0                 | 0                 |                  |

This register controls the operation of the 16MHz crystal oscillator.

- **Bit 7:4 – XTAL\_MODE3:0 - Crystal Oscillator Operating Mode**

These register bits set the operating mode of the 16 MHz crystal oscillator. For normal operation the default value is set to XTAL\_MODE = 0xF after reset. For use with an external clock source it is recommended to set XTAL\_MODE = 0x4.

**Table 9-65 XTAL\_MODE Register Bits**

| Register Bits | Value | Description   |
|---------------|-------|---|
| XTAL_MODE3:0  | 0x4   | Internal crystal oscillator disabled; use external reference frequency.           |
|               | 0xF   | Internal crystal oscillator enabled; amplitude regulation of oscillation enabled. |

• **Bit 3:0 – XTAL\_TRIM3:0 - Crystal Oscillator Load Capacitance Trimming**

These register bits control two internal capacitance arrays connected to pins XTAL1 and XTAL2. A capacitance value in the range from 0 pF to 4.5 pF is selectable with a resolution of 0.3 pF.

**Table 9-66 XTAL\_TRIM Register Bits**

| Register Bits | Value | Description                              |
|---------------|-------|--|
| XTAL_TRIM3:0  | 0x0   | 0.0 pF, trimming capacitors disconnected |
|               | 0x1   | 0.3 pF, trimming capacitor switched on   |
|               | 0x2   | ...                                      |
|               | 0xF   | 4.5 pF, trimming capacitor switched on   |

## 9.12.26 RX\_SYN – Transceiver Receiver Sensitivity Control Register

|               |                      |    |                      |
|---------------|----------------------|----|----------------------|
| Bit           | 7                    | 6  |                      |
| NA (\$155)    | <b>RX_PDT_DIS</b>    |    | <b>RX_OVERRIDE</b>   |
| Read/Write    | RW                   | RW | RX_SYN               |
| Initial Value | 0                    | 1  |                      |
| Bit           | 5                    | 4  |                      |
| NA (\$155)    | <b>RXO_CFG1</b>      |    | <b>RXO_CFG0</b>      |
| Read/Write    | RW                   | RW | RX_SYN               |
| Initial Value | 0                    | 0  |                      |
| Bit           | 3                    | 2  |                      |
| NA (\$155)    | <b>RX_PDT_LEVEL3</b> |    | <b>RX_PDT_LEVEL2</b> |
| Read/Write    | RW                   | RW | RX_SYN               |
| Initial Value | 0                    | 0  |                      |
| Bit           | 1                    | 0  |                      |
| NA (\$155)    | <b>RX_PDT_LEVEL1</b> |    | <b>RX_PDT_LEVEL0</b> |
| Read/Write    | RW                   | RW | RX_SYN               |
| Initial Value | 0                    | 0  |                      |

This register controls the sensitivity threshold of the receiver.

• **Bit 7 – RX\_PDT\_DIS - Prevent Frame Reception**

RX\_PDT\_DIS = 1 prevents the reception of a frame even if the radio transceiver is in receive modes. An ongoing frame reception is not affected. This operation mode is independent of the setting of register bits RX\_PDT\_LEVEL.

• **Bit 6 – RX\_OVERRIDE - Receiver Override Function**

If this bit is set, the receiver restarts the reception if a co-channel interferer is detected. This function is not directly visible, but should lead to a better co-channel interference suppression.

- **Bit 5 – RXO\_CFG1 - RX\_OVERRIDE Configuration**

Configures the different RX\_OVERRIDE options.

- **Bit 4 – RXO\_CFG0 - RX\_OVERRIDE configuration**

Configures the different RX\_OVERRIDE options.

- **Bit 3:0 – RX\_PDT\_LEVEL3:0 - Reduce Receiver Sensitivity**

These register bits reduce the receiver sensitivity such that frames with a RSSI level below the RX\_PDT\_LEVEL threshold level are not received ( $RX\_PDT\_LEVEL > 0$ ). The threshold level can be calculated according to the following formula:  $RX\_THRES > RSSI\_BASE\_VAL + 3 \cdot (RX\_PDT\_LEVEL - 1)$ , for  $RX\_PDT\_LEVEL > 0$ . If register bits  $RX\_PDT\_LEVEL > 0$  the current consumption of the receiver in states RX\_ON and RX\_AACK\_ON is reduced by 500  $\mu A$ . If register bits  $RX\_PDT\_LEVEL = 0$  (reset value) all frames with a valid SHR and PHR are received, independently of their signal strength. Examples for certain register settings are given in the following table.

**Table 9-67** RX\_PDT\_LEVEL Register Bits

| Register Bits   | Value | Description   |
|-----------------|-------|---|
| RX_PDT_LEVEL3:0 | 0x0   | $RX\_THRES \leq RSSI\_BASE\_VAL$ (Reset value); RSSI value not considered |
|                 | 0x1   | $RX\_THRES > RSSI\_BASE\_VAL + 0 \cdot 3$ ; RSSI > -90 dBm                |
|                 | 0x2   | ...   |
|                 | 0xE   | $RX\_THRES > RSSI\_BASE\_VAL + 13 \cdot 3$ ; RSSI > -51 dBm               |
|                 | 0xF   | $RX\_THRES > RSSI\_BASE\_VAL + 14 \cdot 3$ ; RSSI > -48 dBm               |

## 9.12.27 XAH\_CTRL\_1 – Transceiver Acknowledgment Frame Control Register 1

|               |  |    |    |    |            |
|---------------|--|----|----|----|------------|
| Bit           | 7  | 6  | 5  | 4  |            |
| NA (\$157)    | Res1    Res0    AACK_FLTR_RES_FT    AACK_UPLD_RES_FT |    |    |    | XAH_CTRL_1 |
| Read/Write    | R  | R  | RW | RW |            |
| Initial Value | 0  | 0  | 0  | 0  |            |
| Bit           | 3  | 2  | 1  | 0  |            |
| NA (\$157)    | Res    AACK_ACK_TIME    AACK_PROM_MODE    Res        |    |    |    | XAH_CTRL_1 |
| Read/Write    | R  | RW | RW | R  |            |
| Initial Value | 0  | 0  | 0  | 0  |            |

This register is a multi-purpose control register for various RX\_AACK settings.

- **Bit 7:6 – Res1:0 - Reserved Bit**

This bit is reserved for future use. The result of a read access is undefined. The register bit must always be written with the reset value.

- **Bit 5 – AACK\_FLTR\_RES\_FT - Filter Reserved Frames**

This register bit shall only be set if  $AACK\_UPLD\_RES\_FT = 1$ . If  $AACK\_FLTR\_RES\_FT = 1$  reserved frame types are filtered similar to data frames as specified in IEEE 802.15.4-2006. Reserved frame types are explained in IEEE 802.15.4 section 7.2.1.1.1. If  $AACK\_FLTR\_RES\_FT = 0$  a received, reserved frame is only checked for a valid FCS.

- **Bit 4 – AACK\_UPLD\_RES\_FT - Process Reserved Frames**

If AACK\_UPLD\_RES\_FT = 1 received frames indicated as reserved are further processed. A RX\_END interrupt is generated if the FCS of those frames is valid. In conjunction with the configuration bit AACK\_FLTR\_RES\_FT set, these frames are handled like IEEE 802.15.4 compliant data frames during RX\_AACK transaction. An AMI interrupt is issued if the address in the received frame matches the node address. That means if a reserved frame passes the third level filter rules, an acknowledgment frame is generated and transmitted if it was requested by the received frame. If this is not wanted bit AACK\_DIS\_ACK in register CSMA\_SEED\_1 has to be set.

- **Bit 3 – Res - Reserved Bit**

This bit is reserved for future use. The result of a read access is undefined. The register bit must always be written with the reset value.

- **Bit 2 – AACK\_ACK\_TIME - Reduce Acknowledgment Time**

According to IEEE 802.15.4, section 7.5.6.4.2 the transmission of an acknowledgment frame shall commence 12 symbols (aTurnaroundTime) after the reception of the last symbol of a data or MAC command frame. This is achieved with the reset value of the register bit AACK\_ACK\_TIME. If AACK\_ACK\_TIME = 1 an acknowledgment frame is alternatively sent already 2 symbol periods (32 μs) after the reception of the last symbol of a data or MAC command frame. This may be applied to proprietary networks or networks using the High Data Rate Modes to increase battery lifetime and to improve the overall data throughput. This setting affects also to acknowledgment frame response time for slotted acknowledgment operation.

**Table 9-68** AACK\_ACK\_TIME Register Bits

| Register Bits | Value | Description                    |
|---------------|-------|--------------------------------|
| AACK_ACK_TIME | 0     | 12 symbols acknowledgment time |
|               | 1     | 2 symbols acknowledgment time  |

- **Bit 1 – AACK\_PROM\_MODE - Enable Promiscuous Mode**

This register bit enables the promiscuous mode within the RX\_AACK mode; refer to IEEE 802.15.4-2006 chapter 7.5.6.5. If this bit is set, every incoming frame with a valid PHR finishes with a RX\_END interrupt even if the third level filter rules do not match or the FCS is not valid. The bit RX\_CRC\_VALID of register PHY\_RSSI is set accordingly. If this bit is set and a frame passes the third level filter rules, an acknowledgment frame is generated and transmitted unless disabled by bit AACK\_DIS\_ACK of register CSMA\_SEED\_1.

- **Bit 0 – Res - Reserved Bit**

This bit is reserved for future use. The result of a read access is undefined. The register bit must always be written with the reset value.

## 9.12.28 FTN\_CTRL – Transceiver Filter Tuning Control Register

|               |   |    |    |    |                 |
|---------------|---|----|----|----|-----------------|
| Bit           | 7   | 6  | 5  | 4  |                 |
| NA (\$158)    | <b>FTN_START</b>   <b>FTN_ROUND</b>   <b>FTNV5</b>   <b>FTNV4</b> |    |    |    | <b>FTN_CTRL</b> |
| Read/Write    | RW  | RW | RW | RW |                 |
| Initial Value | 0   | 1  | 0  | 1  |                 |
| Bit           | 3   | 2  | 1  | 0  |                 |
| NA (\$158)    | <b>FTNV3</b>   <b>FTNV2</b>   <b>FTNV1</b>   <b>FTNV0</b>         |    |    |    | <b>FTN_CTRL</b> |
| Read/Write    | RW  | RW | RW | RW |                 |
| Initial Value | 1   | 0  | 0  | 0  |                 |

This register controls the operation of the calibration loop of the filter tuning network.

- **Bit 7 – FTN\_START - Start Calibration Loop of Filter Tuning Network**

FTN\_START = 1 initiates the calibration of the filter tuning network. When the calibration cycle has finished after at most 25  $\mu$ s the register bit is automatically reset to 0.

- **Bit 6 – FTN\_ROUND - Round Filter Tuning Calibration Result**

This bit is reserved for internal use.

- **Bit 5:0 – FTNV5:0 - Filter Tuning Calibration Result**

These bits are reserved for internal use.

### 9.12.29 PLL\_CF – Transceiver Center Frequency Calibration Control Register

|               |                       |    |                       |
|---------------|-----------------------|----|-----------------------|
| Bit           | 7                     | 6  |                       |
| NA (\$15A)    | <b>PLL_CF_START</b>   |    | <b>EN_PLL_CF</b>      |
| Read/Write    | RW                    | RW | PLL_CF                |
| Initial Value | 0                     | 1  |                       |
| Bit           | 5                     | 4  |                       |
| NA (\$15A)    | <b>PLL_VMOD_TUNE1</b> |    | <b>PLL_VMOD_TUNE0</b> |
| Read/Write    | RW                    | RW | PLL_CF                |
| Initial Value | 0                     | 1  |                       |
| Bit           | 3                     | 2  |                       |
| NA (\$15A)    | <b>PLL_CF3</b>        |    | <b>PLL_CF2</b>        |
| Read/Write    | RW                    | RW | PLL_CF                |
| Initial Value | 0                     | 1  |                       |
| Bit           | 1                     | 0  |                       |
| NA (\$15A)    | <b>PLL_CF1</b>        |    | <b>PLL_CF0</b>        |
| Read/Write    | RW                    | RW | PLL_CF                |
| Initial Value | 1                     | 1  |                       |

This register controls the operation of the center frequency calibration loop. Consecutive read/write commands to this register must include a wait time of at least 500ns between each access.

- **Bit 7 – PLL\_CF\_START - Start Center Frequency Calibration**

PLL\_CF\_START = 1 initiates the center frequency calibration. The calibration cycle has finished after 35  $\mu$ s (typical). The register bit is cleared immediately after finishing the calibration.

- **Bit 6 – EN\_PLL\_CF - Enable Center Frequency Tuning**

This bit is reserved for internal use.

- **Bit 5:4 – PLL\_VMOD\_TUNE1:0 - VCO Modulation Tuning**

These bits are reserved for internal use.

- **Bit 3:0 – PLL\_CF3:0 - Center Frequency Control Word**

These bits are reserved for internal use.

## 9.12.30 PLL\_DCU – Transceiver Delay Cell Calibration Control Register

|               |                      |                  |                  |                  |         |
|---------------|----------------------|------------------|------------------|------------------|---------|
| Bit           | 7                    | 6                | 5                | 4                |         |
| NA (\$15B)    | <b>PLL_DCU_START</b> | <b>Res</b>       | <b>PLL_DCUW5</b> | <b>PLL_DCUW4</b> | PLL_DCU |
| Read/Write    | RW                   | R                | RW               | RW               |         |
| Initial Value | 0                    | 0                | 1                | 0                |         |
| Bit           | 3                    | 2                | 1                | 0                |         |
| NA (\$15B)    | <b>PLL_DCUW3</b>     | <b>PLL_DCUW2</b> | <b>PLL_DCUW1</b> | <b>PLL_DCUW0</b> | PLL_DCU |
| Read/Write    | RW                   | RW               | RW               | RW               |         |
| Initial Value | 0                    | 0                | 0                | 0                |         |

This register controls the operation of the calibration loop of the delay cell.

- **Bit 7 – PLL\_DCU\_START - Start Delay Cell Calibration**

PLL\_DCU\_START = 1 initiates the delay cell calibration. The calibration cycle has finished after at most 6  $\mu$ s. The register bit is cleared immediately after finishing the calibration.

- **Bit 6 – Res - Reserved Bit**

This bit is reserved for future use. The result of a read access is undefined. The register bit must always be written with the reset value.

- **Bit 5:0 – PLL\_DCUW5:0 - Delay Range Setting**

These bits are reserved for internal use.

## 9.12.31 CC\_CTRL\_0 – Channel Control Register 0

|               |                   |                   |                   |                   |           |
|---------------|-------------------|-------------------|-------------------|-------------------|-----------|
| Bit           | 7                 | 6                 | 5                 | 4                 |           |
| NA (\$153)    | <b>CC_NUMBER7</b> | <b>CC_NUMBER6</b> | <b>CC_NUMBER5</b> | <b>CC_NUMBER4</b> | CC_CTRL_0 |
| Read/Write    | RW                | RW                | RW                | RW                |           |
| Initial Value | 0                 | 0                 | 0                 | 0                 |           |
| Bit           | 3                 | 2                 | 1                 | 0                 |           |
| NA (\$153)    | <b>CC_NUMBER3</b> | <b>CC_NUMBER2</b> | <b>CC_NUMBER1</b> | <b>CC_NUMBER0</b> | CC_CTRL_0 |
| Read/Write    | RW                | RW                | RW                | RW                |           |
| Initial Value | 0                 | 0                 | 0                 | 0                 |           |

This register controls the frequency of the transceiver PLL. CC\_CTRL\_0 and CC\_CTRL\_1 form a 16 bit register. Changed CC\_CTRL\_1 bits are updated only when writing to CC\_CTRL\_0.

- **Bit 7:0 – CC\_NUMBER7:0 - Channel Number**

These register bits set the channel number

## 9.12.32 CC\_CTRL\_1 – Channel Control Register 1

|               |   |   |   |   |                 |                 |                 |                 |           |
|---------------|---|---|---|---|-----------------|-----------------|-----------------|-----------------|-----------|
| Bit           | 7 | 6 | 5 | 4 | 3               | 2               | 1               | 0               |           |
| NA (\$154)    |   |   |   |   | <b>CC_BAND3</b> | <b>CC_BAND2</b> | <b>CC_BAND1</b> | <b>CC_BAND0</b> | CC_CTRL_1 |
| Read/Write    |   |   |   |   | RW              | RW              | RW              | RW              |           |
| Initial Value |   |   |   |   | 0               | 0               | 0               | 0               |           |

This register controls the band of the transceiver PLL. CC\_CTRL\_0 and CC\_CTRL\_1 form a 16 bit register. Changed CC\_BAND bits are updated only when writing to register CC\_CTRL\_0.

- **Bit 3:0 – CC\_BAND3:0 - Channel Band**

These register bits set the channel band

### 9.12.33 TRX\_RPC – Transceiver Reduced Power Consumption Control

|               |  |             |            |    |              |              |             |            |         |
|---------------|--|-------------|------------|----|--------------|--------------|-------------|------------|---------|
| Bit           | 7  | 6           | 5          | 4  |              |              |             |            |         |
| NA (\$156)    | <table border="1" style="width: 100%; text-align: center;"> <tr> <td>RX_RPC_CTRL1</td> <td>RX_RPC_CTRL0</td> <td>RX_RPC_EN</td> <td>PDT_RPC_EN</td> </tr> </table> |             |            |    | RX_RPC_CTRL1 | RX_RPC_CTRL0 | RX_RPC_EN   | PDT_RPC_EN | TRX_RPC |
| RX_RPC_CTRL1  | RX_RPC_CTRL0   | RX_RPC_EN   | PDT_RPC_EN |    |              |              |             |            |         |
| Read/Write    | RW   | RW          | RW         | RW |              |              |             |            |         |
| Initial Value | 1  | 1           | 0          | 0  |              |              |             |            |         |
| Bit           | 3  | 2           | 1          | 0  |              |              |             |            |         |
| NA (\$156)    | <table border="1" style="width: 100%; text-align: center;"> <tr> <td>PLL_RPC_EN</td> <td>Res0</td> <td>IPAN_RPC_EN</td> <td>XAH_RPC_EN</td> </tr> </table>         |             |            |    | PLL_RPC_EN   | Res0         | IPAN_RPC_EN | XAH_RPC_EN | TRX_RPC |
| PLL_RPC_EN    | Res0   | IPAN_RPC_EN | XAH_RPC_EN |    |              |              |             |            |         |
| Read/Write    | RW   | R           | RW         | RW |              |              |             |            |         |
| Initial Value | 0  | 0           | 0          | 1  |              |              |             |            |         |

The TRX\_RPC register controls the Reduced Power Consumption / Smart Receiving Modes.

- **Bit 7:6 – RX\_RPC\_CTRL1:0 - Smart Receiving Mode Timing**

The register bits RX\_RPC\_CTRL[1:0] are used for timing calculation within smart receiving mode.

**Table 9-69** RX\_RPC\_CTRL Register Bits

| Register Bits  | Value | Description   |
|----------------|-------|---|
| RX_RPC_CTRL1:0 | 0     | Activates minimum power saving behaviour for smart receiving mode |
|                | 1     | Reserved  |
|                | 2     | Reserved  |
|                | 3     | Activates maximum power saving behaviour for smart receiving mode |

- **Bit 5 – RX\_RPC\_EN - Receiver Smart Receiving Mode Enable**

If the bit RX\_RPC\_EN is set, the receiver is periodically in power-save during all RX states to reduce the current consumption while listening for incoming signals. Note: this feature causes a sensitivity loss of approximately 2 dB.

- **Bit 4 – PDT\_RPC\_EN - Smart Receiving Mode Reduced Sensitivity Enable**

If the bit PDT\_RPC\_EN is set, the RX sensitivity is reduced and the current consumption is decreased. Note that together with this setting the value of the register RX\_PDT\_LEVEL should be adapted.

- **Bit 3 – PLL\_RPC\_EN - PLL Smart Receiving Mode Enable**

If bit PLL\_RPC\_EN is set, the PLL is in power-save during the transceiver states PLL\_ON or TX\_ARET\_ON while no frame transmission has been initiated.

- **Bit 2 – Res0 - Reserved**

- **Bit 1 – IPAN\_RPC\_EN - Smart Receiving Mode IPAN Handling Enable**



If the bit IPAN\_RPC\_EN is set, RPC for IPAN is enabled. This causes a transceiver power-save while receiving a frame with matching PAN but not matching address. Note that an enabled RX override feature will automatically disable the IPAN\_RPC\_EN function.

- **Bit 0 – XAH\_RPC\_EN - Smart Receiving in Extended Operating Modes Enable**

If the bit XAH\_RPC\_EN is set, RPC functionality for the Extended Operating Mode is enabled. This reduces the PLL power consumption during the CSMA/CA back-off time, a transmit/receive turnaround in TX\_ARET state or an active frame protection (RX\_SAFE\_MODE).

### 9.12.34 PART\_NUM – Device Identification Register (Part Number)

|               |                    |   |   |   |   |   |   |   |                 |
|---------------|--------------------|---|---|---|---|---|---|---|-----------------|
| Bit           | 7                  | 6 | 5 | 4 | 3 | 2 | 1 | 0 |                 |
| NA (\$15C)    | <b>PART_NUM7:0</b> |   |   |   |   |   |   |   | <b>PART_NUM</b> |
| Read/Write    | R                  | R | R | R | R | R | R | R |                 |
| Initial Value | 1                  | 0 | 0 | 1 | 0 | 1 | 0 | 0 |                 |

This register contains the part number of the device.

- **Bit 7:0 – PART\_NUM7:0 - Part Number**

These bits decode the part number of the device according to the following table.

**Table 9-70** PART\_NUM Register Bits

| Register Bits | Value | Description |
|---------------|-------|-------------|
| PART_NUM7:0   | 0x94  | RFR2 family |

### 9.12.35 VERSION\_NUM – Device Identification Register (Version Number)

|               |                       |   |   |   |   |   |   |   |                    |
|---------------|-----------------------|---|---|---|---|---|---|---|--------------------|
| Bit           | 7                     | 6 | 5 | 4 | 3 | 2 | 1 | 0 |                    |
| NA (\$15D)    | <b>VERSION_NUM7:0</b> |   |   |   |   |   |   |   | <b>VERSION_NUM</b> |
| Read/Write    | R                     | R | R | R | R | R | R | R |                    |
| Initial Value | 0                     | 0 | 0 | 0 | 0 | 0 | 1 | 1 |                    |

This register contains the version number of the device. The device identification overwrites the Reset value.

- **Bit 7:0 – VERSION\_NUM7:0 - Version Number**

These bits decode the version number of the device according to the following table.

**Table 9-71** VERSION\_NUM Register Bits

| Register Bits  | Value | Description |
|----------------|-------|-------------|
| VERSION_NUM7:0 | 12    | Revision A  |
|                | 1     | Revision B  |
|                | 3     | Revision C  |
|                | 4     | Revision D  |

### 9.12.36 MAN\_ID\_0 – Device Identification Register (Manufacture ID Low Byte)

|               |              |   |   |   |   |   |   |   |          |
|---------------|--------------|---|---|---|---|---|---|---|----------|
| Bit           | 7            | 6 | 5 | 4 | 3 | 2 | 1 | 0 |          |
| NA (\$15E)    | MAN_ID_07:00 |   |   |   |   |   |   |   | MAN_ID_0 |
| Read/Write    | R            | R | R | R | R | R | R | R |          |
| Initial Value | 0            | 0 | 0 | 1 | 1 | 1 | 1 | 1 |          |

Bits [7:0] of the 32-bit JEDEC manufacturer ID are stored in this register. Bits [15:8] are stored in register MAN\_ID\_1. The highest 16 bits of the JEDEC ID are not stored in registers.

- **Bit 7:0 – MAN\_ID\_07:00 - Manufacturer ID (Low Byte)**

These bits contain bits [7:0] of the 32-bit JEDEC manufacturer ID.

### 9.12.37 MAN\_ID\_1 – Device Identification Register (Manufacture ID High Byte)

|               |              |   |   |   |   |   |   |   |          |
|---------------|--------------|---|---|---|---|---|---|---|----------|
| Bit           | 7            | 6 | 5 | 4 | 3 | 2 | 1 | 0 |          |
| NA (\$15F)    | MAN_ID_17:10 |   |   |   |   |   |   |   | MAN_ID_1 |
| Read/Write    | R            | R | R | R | R | R | R | R |          |
| Initial Value | 0            | 0 | 0 | 0 | 0 | 0 | 0 | 0 |          |

Bits [15:8] of the 32-bit JEDEC manufacturer ID are stored in this register. Bits [7:0] are stored in register MAN\_ID\_0. The highest 16 bits of the JEDEC ID are not stored in registers.

- **Bit 7:0 – MAN\_ID\_17:10 - Manufacturer ID (High Byte)**

These bits contain bits [15:8] of the 32-bit JEDEC manufacturer ID.

**Table 9-72** MAN\_ID\_ Register Bits

| Register Bits | Value | Description   |
|---------------|-------|---|
| MAN_ID_17:10  | 0x00  | Atmel JEDEC manufacturer ID, bits [15:8] of 32 bit manufacturer ID: 00 00 00 1F |

### 9.12.38 SHORT\_ADDR\_0 – Transceiver MAC Short Address Register (Low Byte)

|               |                  |    |    |    |    |    |    |    |              |
|---------------|------------------|----|----|----|----|----|----|----|--------------|
| Bit           | 7                | 6  | 5  | 4  | 3  | 2  | 1  | 0  |              |
| NA (\$160)    | SHORT_ADDR_07:00 |    |    |    |    |    |    |    | SHORT_ADDR_0 |
| Read/Write    | RW               | RW | RW | RW | RW | RW | RW | RW |              |
| Initial Value | 1                | 1  | 1  | 1  | 1  | 1  | 1  | 1  |              |

This register contains the lower 8 bits of the MAC short address for Frame Filter address recognition.

- **Bit 7:0 – SHORT\_ADDR\_07:00 - MAC Short Address**

These bits contain the bits [7:0] of the MAC short address.

## 9.12.39 SHORT\_ADDR\_1 – Transceiver MAC Short Address Register (High Byte)

|               |                  |    |    |    |    |    |    |    |              |
|---------------|------------------|----|----|----|----|----|----|----|--------------|
| Bit           | 7                | 6  | 5  | 4  | 3  | 2  | 1  | 0  |              |
| NA (\$161)    | SHORT_ADDR_17:10 |    |    |    |    |    |    |    | SHORT_ADDR_1 |
| Read/Write    | RW               | RW | RW | RW | RW | RW | RW | RW |              |
| Initial Value | 1                | 1  | 1  | 1  | 1  | 1  | 1  | 1  |              |

This register contains the upper 8 bits of the MAC short address for Frame Filter address recognition.

- **Bit 7:0 – SHORT\_ADDR\_17:10 - MAC Short Address**

These bits contain the bits [15:8] of the MAC short address.

## 9.12.40 PAN\_ID\_0 – Transceiver Personal Area Network ID Register (Low Byte)

|               |              |    |    |    |    |    |    |    |          |
|---------------|--------------|----|----|----|----|----|----|----|----------|
| Bit           | 7            | 6  | 5  | 4  | 3  | 2  | 1  | 0  |          |
| NA (\$162)    | PAN_ID_07:00 |    |    |    |    |    |    |    | PAN_ID_0 |
| Read/Write    | RW           | RW | RW | RW | RW | RW | RW | RW |          |
| Initial Value | 1            | 1  | 1  | 1  | 1  | 1  | 1  | 1  |          |

This register contains the lower 8 bits of the MAC PAN ID for Frame Filter address recognition.

- **Bit 7:0 – PAN\_ID\_07:00 - MAC Personal Area Network ID**

These bits contain the bits [7:0] of the MAC PAN ID.

## 9.12.41 PAN\_ID\_1 – Transceiver Personal Area Network ID Register (High Byte)

|               |              |    |    |    |    |    |    |    |          |
|---------------|--------------|----|----|----|----|----|----|----|----------|
| Bit           | 7            | 6  | 5  | 4  | 3  | 2  | 1  | 0  |          |
| NA (\$163)    | PAN_ID_17:10 |    |    |    |    |    |    |    | PAN_ID_1 |
| Read/Write    | RW           | RW | RW | RW | RW | RW | RW | RW |          |
| Initial Value | 1            | 1  | 1  | 1  | 1  | 1  | 1  | 1  |          |

This register contains the upper 8 bits of the MAC PAN ID for Frame Filter address recognition.

- **Bit 7:0 – PAN\_ID\_17:10 - MAC Personal Area Network ID**

These bits contain the bits [15:8] of the MAC PAN ID.

## 9.12.42 IEEE\_ADDR\_0 – Transceiver MAC IEEE Address Register 0

|               |                 |    |    |    |    |    |    |    |             |
|---------------|-----------------|----|----|----|----|----|----|----|-------------|
| Bit           | 7               | 6  | 5  | 4  | 3  | 2  | 1  | 0  |             |
| NA (\$164)    | IEEE_ADDR_07:00 |    |    |    |    |    |    |    | IEEE_ADDR_0 |
| Read/Write    | RW              | RW | RW | RW | RW | RW | RW | RW |             |
| Initial Value | 0               | 0  | 0  | 0  | 0  | 0  | 0  | 0  |             |

This register contains the bits [7:0] of the MAC IEEE address for Frame Filter address recognition.

- **Bit 7:0 – IEEE\_ADDR\_07:00 - MAC IEEE Address**

These bits map to the bits [7:0] of the 64 bit MAC IEEE address.

#### 9.12.43 IEEE\_ADDR\_1 – Transceiver MAC IEEE Address Register 1

|               |                        |    |    |    |    |    |    |    |                    |
|---------------|------------------------|----|----|----|----|----|----|----|--------------------|
| Bit           | 7                      | 6  | 5  | 4  | 3  | 2  | 1  | 0  |                    |
| NA (\$165)    | <b>IEEE_ADDR_17:10</b> |    |    |    |    |    |    |    | <b>IEEE_ADDR_1</b> |
| Read/Write    | RW                     | RW | RW | RW | RW | RW | RW | RW |                    |
| Initial Value | 0                      | 0  | 0  | 0  | 0  | 0  | 0  | 0  |                    |

This register contains the bits [15:8] of the MAC IEEE address for Frame Filter address recognition.

- **Bit 7:0 – IEEE\_ADDR\_17:10 - MAC IEEE Address**

These bits map to the bits [15:8] of the 64 bit MAC IEEE address.

#### 9.12.44 IEEE\_ADDR\_2 – Transceiver MAC IEEE Address Register 2

|               |                        |    |    |    |    |    |    |    |                    |
|---------------|------------------------|----|----|----|----|----|----|----|--------------------|
| Bit           | 7                      | 6  | 5  | 4  | 3  | 2  | 1  | 0  |                    |
| NA (\$166)    | <b>IEEE_ADDR_27:20</b> |    |    |    |    |    |    |    | <b>IEEE_ADDR_2</b> |
| Read/Write    | RW                     | RW | RW | RW | RW | RW | RW | RW |                    |
| Initial Value | 0                      | 0  | 0  | 0  | 0  | 0  | 0  | 0  |                    |

This register contains the bits [23:16] of the MAC IEEE address for Frame Filter address recognition.

- **Bit 7:0 – IEEE\_ADDR\_27:20 - MAC IEEE Address**

These bits map to the bits [23:16] of the 64 bit MAC IEEE address.

#### 9.12.45 IEEE\_ADDR\_3 – Transceiver MAC IEEE Address Register 3

|               |                        |    |    |    |    |    |    |    |                    |
|---------------|------------------------|----|----|----|----|----|----|----|--------------------|
| Bit           | 7                      | 6  | 5  | 4  | 3  | 2  | 1  | 0  |                    |
| NA (\$167)    | <b>IEEE_ADDR_37:30</b> |    |    |    |    |    |    |    | <b>IEEE_ADDR_3</b> |
| Read/Write    | RW                     | RW | RW | RW | RW | RW | RW | RW |                    |
| Initial Value | 0                      | 0  | 0  | 0  | 0  | 0  | 0  | 0  |                    |

This register contains the bits [31:24] of the MAC IEEE address for Frame Filter address recognition.

- **Bit 7:0 – IEEE\_ADDR\_37:30 - MAC IEEE Address**

These bits map to the bits [31:24] of the 64 bit MAC IEEE address.

## 9.12.46 IEEE\_ADDR\_4 – Transceiver MAC IEEE Address Register 4

|               |                        |    |    |    |    |    |    |    |                    |
|---------------|------------------------|----|----|----|----|----|----|----|--------------------|
| Bit           | 7                      | 6  | 5  | 4  | 3  | 2  | 1  | 0  |                    |
| NA (\$168)    | <b>IEEE_ADDR_47:40</b> |    |    |    |    |    |    |    | <b>IEEE_ADDR_4</b> |
| Read/Write    | RW                     | RW | RW | RW | RW | RW | RW | RW |                    |
| Initial Value | 0                      | 0  | 0  | 0  | 0  | 0  | 0  | 0  |                    |

This register contains the bits [39:32] of the MAC IEEE address for Frame Filter address recognition.

- **Bit 7:0 – IEEE\_ADDR\_47:40 - MAC IEEE Address**

These bits map to the bits [39:32] of the 64 bit MAC IEEE address.

## 9.12.47 IEEE\_ADDR\_5 – Transceiver MAC IEEE Address Register 5

|               |                        |    |    |    |    |    |    |    |                    |
|---------------|------------------------|----|----|----|----|----|----|----|--------------------|
| Bit           | 7                      | 6  | 5  | 4  | 3  | 2  | 1  | 0  |                    |
| NA (\$169)    | <b>IEEE_ADDR_57:50</b> |    |    |    |    |    |    |    | <b>IEEE_ADDR_5</b> |
| Read/Write    | RW                     | RW | RW | RW | RW | RW | RW | RW |                    |
| Initial Value | 0                      | 0  | 0  | 0  | 0  | 0  | 0  | 0  |                    |

This register contains the bits [47:40] of the MAC IEEE address for Frame Filter address recognition.

- **Bit 7:0 – IEEE\_ADDR\_57:50 - MAC IEEE Address**

These bits map to the bits [47:40] of the 64 bit MAC IEEE address.

## 9.12.48 IEEE\_ADDR\_6 – Transceiver MAC IEEE Address Register 6

|               |                        |    |    |    |    |    |    |    |                    |
|---------------|------------------------|----|----|----|----|----|----|----|--------------------|
| Bit           | 7                      | 6  | 5  | 4  | 3  | 2  | 1  | 0  |                    |
| NA (\$16A)    | <b>IEEE_ADDR_67:60</b> |    |    |    |    |    |    |    | <b>IEEE_ADDR_6</b> |
| Read/Write    | RW                     | RW | RW | RW | RW | RW | RW | RW |                    |
| Initial Value | 0                      | 0  | 0  | 0  | 0  | 0  | 0  | 0  |                    |

This register contains the bits [55:48] of the MAC IEEE address for Frame Filter address recognition.

- **Bit 7:0 – IEEE\_ADDR\_67:60 - MAC IEEE Address**

These bits map to the bits [55:48] of the 64 bit MAC IEEE address.

## 9.12.49 IEEE\_ADDR\_7 – Transceiver MAC IEEE Address Register 7

|               |                        |    |    |    |    |    |    |    |                    |
|---------------|------------------------|----|----|----|----|----|----|----|--------------------|
| Bit           | 7                      | 6  | 5  | 4  | 3  | 2  | 1  | 0  |                    |
| NA (\$16B)    | <b>IEEE_ADDR_77:70</b> |    |    |    |    |    |    |    | <b>IEEE_ADDR_7</b> |
| Read/Write    | RW                     | RW | RW | RW | RW | RW | RW | RW |                    |
| Initial Value | 0                      | 0  | 0  | 0  | 0  | 0  | 0  | 0  |                    |

This register contains the bits [63:56] of the MAC IEEE address for Frame Filter address recognition.

- **Bit 7:0 – IEEE\_ADDR\_77:70 - MAC IEEE Address**

These bits map to the bits [63:56] of the 64 bit MAC IEEE address.

### 9.12.50 XAH\_CTRL\_0 – Transceiver Extended Operating Mode Control Register

|               |   |    |                   |
|---------------|---|----|-------------------|
| Bit           | 7   | 6  |                   |
| NA (\$16C)    | <b>MAX_FRAME_RETRIES3</b> <b>MAX_FRAME_RETRIES2</b> |    | <b>XAH_CTRL_0</b> |
| Read/Write    | RW  | RW |                   |
| Initial Value | 0   | 0  |                   |
| Bit           | 5   | 4  |                   |
| NA (\$16C)    | <b>MAX_FRAME_RETRIES1</b> <b>MAX_FRAME_RETRIES0</b> |    | <b>XAH_CTRL_0</b> |
| Read/Write    | RW  | RW |                   |
| Initial Value | 1   | 1  |                   |
| Bit           | 3   | 2  |                   |
| NA (\$16C)    | <b>MAX_CSMA_RETRIES2</b> <b>MAX_CSMA_RETRIES1</b>   |    | <b>XAH_CTRL_0</b> |
| Read/Write    | RW  | RW |                   |
| Initial Value | 1   | 0  |                   |
| Bit           | 1   | 0  |                   |
| NA (\$16C)    | <b>MAX_CSMA_RETRIES0</b> <b>SLOTTED_OPERATION</b>   |    | <b>XAH_CTRL_0</b> |
| Read/Write    | RW  | RW |                   |
| Initial Value | 0   | 0  |                   |

This register is used to control various settings of the Extended Operating Mode.

- **Bit 7:4 – MAX\_FRAME\_RETRIES3:0 - Maximum Number of Frame Retransmission Attempts**

The setting of MAX\_FRAME\_RETRIES in TX\_ARET mode specifies the number of attempts to retransmit a frame when it was not acknowledged by the recipient. The transaction gets canceled if the number of attempts exceeds MAX\_FRAME\_RETRIES.

**Table 9-73** MAX\_FRAME\_RETRIES Register Bits

| Register Bits        | Value | Description                                    |
|----------------------|-------|--|
| MAX_FRAME_RETRIES3:0 | 0x0   | Retransmission of frame is not attempted.      |
|                      | 0x1   | Retransmission of frame is attempted once.     |
|                      | 0x2   | ...  |
|                      | 0xF   | Retransmission of frame is attempted 15 times. |

- **Bit 3:1 – MAX\_CSMA\_RETRIES2:0 - Maximum Number of CSMA-CA Procedure Repetition Attempts**

MAX\_CSMA\_RETRIES specifies the number of retries in TX\_ARET mode to repeat the CSMA-CA procedure before the transaction gets canceled. According to IEEE 802.15.4 the valid range of MAX\_CSMA\_RETRIES is 0 to 5. A value of MAX\_CSMA\_RETRIES = 7 initiates an immediate frame transmission without performing CSMA-CA. This may especially be required for slotted acknowledgment operation. MAX\_CSMA\_RETRIES = 6 is reserved.

**Table 9-74 MAX\_CSMA\_RETRIES Register Bits**

| Register Bits       | Value | Description  |
|---------------------|-------|--|
| MAX_CSMA_RETRIES2:0 | 0x0   | No repetition of CSMA-CA procedure                         |
|                     | 0x1   | One repetition of CSMA-CA procedure                        |
|                     | 0x2   | ...  |
|                     | 0x5   | Five repetitions (highest IEEE 802.15.4 compliant value)   |
|                     | 0x6   | Reserved   |
|                     | 0x7   | Immediate frame re-transmission without performing CSMA-CA |

• **Bit 0 – SLOTTED\_OPERATION - Set Slotted Acknowledgment**

When using RX\_AACK mode in networks operating in beacon or slotted mode according to IEEE 802.15.4-2006, chapter 5.5.1 the register bit SLOTTED\_OPERATION indicates that acknowledgment frames are to be sent on back-off slot boundaries (slotted acknowledgment). If this register bit is set the acknowledgment frame transmission has to be initiated by the application software using bit SLPTR of register TRXPR. This waiting state is signaled in sub register TRAC\_STATUS of register TRX\_STATE with value SUCCESS\_WAIT\_FOR\_ACK.

**Table 9-75 SLOTTED\_OPERATION Register Bits**

| Register Bits     | Value | Description   |
|-------------------|-------|---|
| SLOTTED_OPERATION | 0     | The radio transceiver operates in unslotted mode. An acknowledgment frame is automatically sent if requested. |
|                   | 1     | The transmission of an acknowledgment frame has to be controlled by the microcontroller.                      |

**9.12.51 CSMA\_SEED\_0 – Transceiver CSMA-CA Random Number Generator Seed Register**

|               |                 |    |    |    |    |    |    |    |             |
|---------------|-----------------|----|----|----|----|----|----|----|-------------|
| Bit           | 7               | 6  | 5  | 4  | 3  | 2  | 1  | 0  |             |
| NA (\$16D)    | CSMA_SEED_07:00 |    |    |    |    |    |    |    | CSMA_SEED_0 |
| Read/Write    | RW              | RW | RW | RW | RW | RW | RW | RW |             |
| Initial Value | 1               | 1  | 1  | 0  | 1  | 0  | 1  | 0  |             |

This register contains the lower 8 bits of the CSMA\_SEED. The upper 3 bits are part of register CSMA\_SEED\_1. CSMA\_SEED is the seed for the random number generation that determines the length of the back-off period in the CSMA-CA algorithm. It is recommended to initialize registers CSMA\_SEED by random values. This can be done using the bits RND\_VALUE of register PHY\_RSSI.

• **Bit 7:0 – CSMA\_SEED\_07:00 - Seed Value for CSMA Random Number Generator**

These bits contain the bits [7:0] of the CSMA\_SEED.

### 9.12.52 CSMA\_SEED\_1 – Transceiver Acknowledgment Frame Control Register 2

|               |                        |    |                       |
|---------------|------------------------|----|-----------------------|
| Bit           | 7                      | 6  |                       |
| NA (\$16E)    | <b>AACK_FVN_MODE1</b>  |    | <b>AACK_FVN_MODE0</b> |
| Read/Write    | RW                     | RW | CSMA_SEED_1           |
| Initial Value | 0                      | 1  |                       |
| Bit           | 5                      | 4  |                       |
| NA (\$16E)    | <b>AACK_SET_PD</b>     |    | <b>AACK_DIS_ACK</b>   |
| Read/Write    | RW                     | RW | CSMA_SEED_1           |
| Initial Value | 0                      | 0  |                       |
| Bit           | 3                      | 2  |                       |
| NA (\$16E)    | <b>AACK_I_AM_COORD</b> |    | <b>CSMA_SEED_12</b>   |
| Read/Write    | RW                     | RW | CSMA_SEED_1           |
| Initial Value | 0                      | 0  |                       |
| Bit           | 1                      | 0  |                       |
| NA (\$16E)    | <b>CSMA_SEED_11</b>    |    | <b>CSMA_SEED_10</b>   |
| Read/Write    | RW                     | RW | CSMA_SEED_1           |
| Initial Value | 1                      | 0  |                       |

This register is a control register for RX\_AACK and contains a part of the CSMA\_SEED for the CSMA-CA algorithm.

- **Bit 7:6 – AACK\_FVN\_MODE1:0 - Acknowledgment Frame Filter Mode**

The frame control field of the MAC header (MHR) contains a frame version subfield. The setting of AACK\_FVN\_MODE specifies the frame filtering behavior of the radio transceiver. According to the content of these register bits the radio transceiver passes frames with a specific frame version number, number group or independent of the frame version number. Thus the register bits AACK\_FVN\_MODE define the maximum acceptable frame version. Received frames with a higher frame version number than configured do not pass the address filter and are not acknowledged.

**Table 9-76** AACK\_FVN\_MODE Register Bits

| Register Bits    | Value | Description  |
|------------------|-------|--|
| AACK_FVN_MODE1:0 | 0     | Acknowledge frames with version number 0               |
|                  | 1     | Acknowledge frames with version number 0 or 1          |
|                  | 2     | Acknowledge frames with version number 0 or 1 or 2     |
|                  | 3     | Acknowledge frames independent of frame version number |

- **Bit 5 – AACK\_SET\_PD - Set Frame Pending Sub-field**

The content of AACK\_SET\_PD bit is copied into the frame pending subfield of the acknowledgment frame if the acknowledgment is the answer to a data request MAC command frame. If in addition the bits AACK\_FVN\_MODE of this register are configured to accept frames with a frame version other than 0 or 1, the content of register bit AACK\_SET\_PD is also copied into the frame pending subfield of the acknowledgment frame for any MAC command frame with a frame version of 2 or 3 that have the security enabled subfield set to 1. This is done in the assumption that a future version of the IEEE 802.15.4 standard might change the length or structure of the auxiliary security header, so that it is not possible to safely detect whether the MAC command frame is actually a data request command or not.



- **Bit 4 – AACK\_DIS\_ACK - Disable Acknowledgment Frame Transmission**

If this bit is set no acknowledgment frames are transmitted in RX\_AACK Extended Operating Mode even if requested.

- **Bit 3 – AACK\_I\_AM\_COORD - Set Personal Area Network Coordinator**

This register bit has to be set if the node is a PAN coordinator. It is used for address filtering in RX\_AACK.

- **Bit 2:0 – CSMA\_SEED\_12:10 - Seed Value for CSMA Random Number Generator**

These bits contain the bits [10:8] of the CSMA\_SEED. The lower part is defined in register CSMA\_SEED\_0. See register CSMA\_SEED\_0 for details.

### 9.12.53 CSMA\_BE – Transceiver CSMA-CA Back-off Exponent Control Register

|               |   |    |    |    |                |
|---------------|---|----|----|----|----------------|
| Bit           | 7   | 6  | 5  | 4  |                |
| NA (\$16F)    | <b>MAX_BE3    MAX_BE2    MAX_BE1    MAX_BE0</b> |    |    |    | <b>CSMA_BE</b> |
| Read/Write    | RW  | RW | RW | RW |                |
| Initial Value | 0   | 1  | 0  | 1  |                |
| Bit           | 3   | 2  | 1  | 0  |                |
| NA (\$16F)    | <b>MIN_BE3    MIN_BE2    MIN_BE1    MIN_BE0</b> |    |    |    | <b>CSMA_BE</b> |
| Read/Write    | RW  | RW | RW | RW |                |
| Initial Value | 0   | 0  | 1  | 1  |                |

This register controls the back-off exponent for the CSMA-CA procedure.

- **Bit 7:4 – MAX\_BE3:0 - Maximum Back-off Exponent**

These register bits define the maximum back-off exponent used in the CSMA-CA algorithm to generate a pseudo random number for back off the CCA. For details refer to IEEE 802.15.4-2006, section 7.5.1.4. Valid values are 3 to 8.

**Table 9-77 MAX\_BE Register Bits**

| Register Bits | Value | Description  |
|---------------|-------|--|
| MAX_BE3:0     | 1     | This value is not valid for the maximum back-off exponent.       |
|               | 2     | This value is not valid for the maximum back-off exponent.       |
|               | 3     | Minimum, IEEE compliant value for the maximum back-off exponent. |
|               | 4     | ...  |
|               | 8     | Maximum, IEEE compliant value for the maximum back-off exponent. |

- **Bit 3:0 – MIN\_BE3:0 - Minimum Back-off Exponent**

These register bits define the minimum back-off exponent used in the CSMA-CA algorithm to generate a pseudo random number for back off the CCA. For details refer to IEEE 802.15.4-2006, section 7.5.1.4. Valid values are MAX\_BE, MAX\_BE-1), ..., 0. If MIN\_BE = 0 and MAX\_BE = 0 the CCA back off period is always set to 0.

**Table 9-78 MIN\_BE Register Bits**

| Register Bits | Value | Description  |
|---------------|-------|--|
| MIN_BE3:0     | 0     | Minimum value of minimum back-off exponent.  |
|               | 1     | ...  |
|               | 8     | Maximum value of minimum back-off exponent. MIN_BE must be smaller or equal to MAX_BE. |

### 9.12.54 MAFCR0 – Multiple Address Filter Configuration Register 0

| Bit           | 7  | 6 | 5 | 4 | 3  | 2  | 1  | 0  |               |
|---------------|--|---|---|---|----|----|----|----|---------------|
| NA (\$10C)    | <b>Res3 Res2 Res1 Res0 MAF3EN MAF2EN MAF1EN MAF0EN</b> |   |   |   |    |    |    |    | <b>MAFCR0</b> |
| Read/Write    | R  | R | R | R | RW | RW | RW | RW |               |
| Initial Value | 0  | 0 | 0 | 0 | 0  | 0  | 0  | 1  |               |

With this register, the four independent Address Filter can be enabled or disabled.

- **Bit 7:4 – Res3:0 - Reserved Bit**

These bits are reserved for future use. The result of a read access is undefined. The register bits must always be written with the reset value.

- **Bit 3 – MAF3EN - Multiple Address Filter 3 Enable**

This bit enables the Multiple Address Filter 3. If the bit is set and the corresponding Short Address and PAN ID Register is configured, an address match is indicated in the IRQ\_STATUS1 register and an interrupt occurs if the interrupt enable flag is set in the IRQ\_MASK register.

- **Bit 2 – MAF2EN - Multiple Address Filter 2 Enable**

This bit enables the Multiple Address Filter 2. If the bit is set and the corresponding Short Address and PAN ID Register is configured, an address match is indicated in the IRQ\_STATUS1 register and an interrupt occurs if the interrupt enable flag is set in the IRQ\_MASK register.

- **Bit 1 – MAF1EN - Multiple Address Filter 1 Enable**

This bit enables the Multiple Address Filter 1. If the bit is set and the corresponding Short Address and PAN ID Register is configured, an address match is indicated in the IRQ\_STATUS1 register and an interrupt occurs if the interrupt enable flag is set in the IRQ\_MASK register.

- **Bit 0 – MAF0EN - Multiple Address Filter 0 Enable**

This bit enables the Multiple Address Filter 0. If the bit is set and the corresponding Short Address and PAN ID Register is configured, an address match is indicated in the IRQ\_STATUS1 register and an interrupt occurs if the interrupt enable flag is set in the IRQ\_MASK register.

## 9.12.55 MAFCR1 – Multiple Address Filter Configuration Register 1

|               |                      |                          |        |
|---------------|----------------------|--------------------------|--------|
| Bit           | 7                    | 6                        |        |
| NA (\$10D)    | <b>AACK_3_SET_PD</b> | <b>AACK_3_I_AM_COORD</b> | MAFCR1 |
| Read/Write    | RW                   | RW                       |        |
| Initial Value | 0                    | 0                        |        |
| Bit           | 5                    | 4                        |        |
| NA (\$10D)    | <b>AACK_2_SET_PD</b> | <b>AACK_2_I_AM_COORD</b> | MAFCR1 |
| Read/Write    | RW                   | RW                       |        |
| Initial Value | 0                    | 0                        |        |
| Bit           | 3                    | 2                        |        |
| NA (\$10D)    | <b>AACK_1_SET_PD</b> | <b>AACK_1_I_AM_COORD</b> | MAFCR1 |
| Read/Write    | RW                   | RW                       |        |
| Initial Value | 0                    | 0                        |        |
| Bit           | 1                    | 0                        |        |
| NA (\$10D)    | <b>AACK_0_SET_PD</b> | <b>AACK_0_I_AM_COORD</b> | MAFCR1 |
| Read/Write    | RW                   | RW                       |        |
| Initial Value | 0                    | 0                        |        |

With this register, the behavior of the four independent Address Filters can be configured.

- **Bit 7 – AACK\_3\_SET\_PD - Set Data Pending bit for address filter 3.**

Set the data pending subfield in Frame Control Field (FCF) for automatic frame acknowledge. The content of AACK\_SET\_PD3 bit is copied into the frame pending subfield of the acknowledgment frame if the ACK is the answer to a data request MAC command frame.

- **Bit 6 – AACK\_3\_I\_AM\_COORD - Enable PAN Coordinator mode for address filter 3.**

This register bit has to be set if the node is a PAN coordinator for address filter 3. It is used for frame filtering in RX\_AACK. If set, the device acts as a PAN coordinator within the filtered network, i.e. it responds to a null address. If the device handles multiple networks, it can operate as coordinator for one network and as an end node for the other network simultaneously.

- **Bit 5 – AACK\_2\_SET\_PD - Set Data Pending bit for address filter 2.**

Set the data pending subfield in Frame Control Field (FCF) for automatic frame acknowledge. The content of AACK\_SET\_PD2 bit is copied into the frame pending subfield of the acknowledgment frame if the ACK is the answer to a data request MAC command frame.

- **Bit 4 – AACK\_2\_I\_AM\_COORD - Enable PAN Coordinator mode for address filter 2.**

This register bit has to be set if the node is a PAN coordinator for address filter 2. It is used for frame filtering in RX\_AACK. If set, the device acts as a PAN coordinator within the filtered network, i.e. it responds to a null address. If the device handles multiple networks, it can operate as coordinator for one network and as an end node for the other network simultaneously.

- **Bit 3 – AACK\_1\_SET\_PD - Set Data Pending bit for address filter 1.**

Set the data pending subfield in Frame Control Field (FCF) for automatic frame acknowledge. The content of AACK\_SET\_PD1 bit is copied into the frame pending

subfield of the acknowledgment frame if the ACK is the answer to a data request MAC command frame.

- **Bit 2 – AACK\_1\_I\_AM\_COORD - Enable PAN Coordinator mode for address filter 1.**

This register bit has to be set if the node is a PAN coordinator for address filter 1. It is used for frame filtering in RX\_AACK. If set, the device acts as a PAN coordinator within the filtered network, i.e. it responds to a null address. If the devices handles multiple networks, it can operate as coordinator for one network and as a end node for the other network simultaneously.

- **Bit 1 – AACK\_0\_SET\_PD - Set Data Pending bit for address filter 0.**

Set the data pending subfield in Frame Control Field (FCF) for automatic frame acknowledge. The content of AACK\_SET\_PD0 bit is copied into the frame pending subfield of the acknowledgment frame if the ACK is the answer to a data request MAC command frame.

- **Bit 0 – AACK\_0\_I\_AM\_COORD - Enable PAN Coordinator mode for address filter 0.**

This register bit has to be set if the node is a PAN coordinator for address filter 0. It is used for frame filtering in RX\_AACK. If set, the device acts as a PAN coordinator within the filtered network, i.e. it responds to a null address. If the devices handles multiple networks, it can operate as coordinator for one network and as a end node for the other network simultaneously.

### 9.12.56 MAFPA0H – Transceiver Personal Area Network ID Register for Frame Filter 0 (High Byte)

| Bit           | 7                 | 6  | 5  | 4  | 3  | 2  | 1  | 0  |                |
|---------------|-------------------|----|----|----|----|----|----|----|----------------|
| NA (\$111)    | <b>MAFPA0H7:0</b> |    |    |    |    |    |    |    | <b>MAFPA0H</b> |
| Read/Write    | RW                | RW | RW | RW | RW | RW | RW | RW |                |
| Initial Value | 1                 | 1  | 1  | 1  | 1  | 1  | 1  | 1  |                |

This register contains the upper 8 bits of the MAC PAN ID for Frame Filter 0 address recognition.

- **Bit 7:0 – MAFPA0H7:0 - MAC Personal Area Network ID high Byte for Frame Filter 0**

These bits contain the bits [15:8] of the MAC PAN ID for Frame Filter 0.

### 9.12.57 MAFPA0L – Transceiver Personal Area Network ID Register for Frame Filter 0 (Low Byte)

| Bit           | 7                 | 6  | 5  | 4  | 3  | 2  | 1  | 0  |                |
|---------------|-------------------|----|----|----|----|----|----|----|----------------|
| NA (\$110)    | <b>MAFPA0L7:0</b> |    |    |    |    |    |    |    | <b>MAFPA0L</b> |
| Read/Write    | RW                | RW | RW | RW | RW | RW | RW | RW |                |
| Initial Value | 1                 | 1  | 1  | 1  | 1  | 1  | 1  | 1  |                |

This register contains the lower 8 bits of the MAC PAN ID for Frame Filter 0 address recognition.

- **Bit 7:0 – MAFPA0L7:0 - MAC Personal Area Network ID low Byte for Frame Filter 0**

These bits contain the bits [7:0] of the MAC PAN ID for Frame Filter 0.

## 9.12.58 MAFPA1H – Transceiver Personal Area Network ID Register for Frame Filter 1 (High Byte)

|               |                   |    |    |    |    |    |    |    |                |
|---------------|-------------------|----|----|----|----|----|----|----|----------------|
| Bit           | 7                 | 6  | 5  | 4  | 3  | 2  | 1  | 0  |                |
| NA (\$115)    | <b>MAFPA1H7:0</b> |    |    |    |    |    |    |    | <b>MAFPA1H</b> |
| Read/Write    | RW                | RW | RW | RW | RW | RW | RW | RW |                |
| Initial Value | 1                 | 1  | 1  | 1  | 1  | 1  | 1  | 1  |                |

This register contains the upper 8 bits of the MAC PAN ID for Frame Filter 1 address recognition.

- **Bit 7:0 – MAFPA1H7:0 - MAC Personal Area Network ID high Byte for Frame Filter 1**

These bits contain the bits [15:8] of the MAC PAN ID for Frame Filter 1.

## 9.12.59 MAFPA1L – Transceiver Personal Area Network ID Register for Frame Filter 1 (Low Byte)

|               |                   |    |    |    |    |    |    |    |                |
|---------------|-------------------|----|----|----|----|----|----|----|----------------|
| Bit           | 7                 | 6  | 5  | 4  | 3  | 2  | 1  | 0  |                |
| NA (\$114)    | <b>MAFPA1L7:0</b> |    |    |    |    |    |    |    | <b>MAFPA1L</b> |
| Read/Write    | RW                | RW | RW | RW | RW | RW | RW | RW |                |
| Initial Value | 1                 | 1  | 1  | 1  | 1  | 1  | 1  | 1  |                |

This register contains the lower 8 bits of the MAC PAN ID for Frame Filter 1 address recognition.

- **Bit 7:0 – MAFPA1L7:0 - MAC Personal Area Network ID low Byte for Frame Filter 1**

These bits contain the bits [7:0] of the MAC PAN ID for Frame Filter 1.

## 9.12.60 MAFPA2H – Transceiver Personal Area Network ID Register for Frame Filter 2 (High Byte)

|               |                   |    |    |    |    |    |    |    |                |
|---------------|-------------------|----|----|----|----|----|----|----|----------------|
| Bit           | 7                 | 6  | 5  | 4  | 3  | 2  | 1  | 0  |                |
| NA (\$119)    | <b>MAFPA2H7:0</b> |    |    |    |    |    |    |    | <b>MAFPA2H</b> |
| Read/Write    | RW                | RW | RW | RW | RW | RW | RW | RW |                |
| Initial Value | 1                 | 1  | 1  | 1  | 1  | 1  | 1  | 1  |                |

This register contains the upper 8 bits of the MAC PAN ID for Frame Filter 2 address recognition.

- **Bit 7:0 – MAFPA2H7:0 - MAC Personal Area Network ID high Byte for Frame Filter 2**

These bits contain the bits [15:8] of the MAC PAN ID for Frame Filter 2.

### 9.12.61 MAFPA2L – Transceiver Personal Area Network ID Register for Frame Filter 2 (Low Byte)

|               |                   |    |    |    |    |    |    |    |                |
|---------------|-------------------|----|----|----|----|----|----|----|----------------|
| Bit           | 7                 | 6  | 5  | 4  | 3  | 2  | 1  | 0  |                |
| NA (\$118)    | <b>MAFPA2L7:0</b> |    |    |    |    |    |    |    | <b>MAFPA2L</b> |
| Read/Write    | RW                | RW | RW | RW | RW | RW | RW | RW |                |
| Initial Value | 1                 | 1  | 1  | 1  | 1  | 1  | 1  | 1  |                |

This register contains the lower 8 bits of the MAC PAN ID for Frame Filter 2 address recognition.

- **Bit 7:0 – MAFPA2L7:0 - MAC Personal Area Network ID low Byte for Frame Filter 2**

These bits contain the bits [7:0] of the MAC PAN ID for Frame Filter 2.

### 9.12.62 MAFPA3H – Transceiver Personal Area Network ID Register for Frame Filter 3 (High Byte)

|               |                   |    |    |    |    |    |    |    |                |
|---------------|-------------------|----|----|----|----|----|----|----|----------------|
| Bit           | 7                 | 6  | 5  | 4  | 3  | 2  | 1  | 0  |                |
| NA (\$11D)    | <b>MAFPA3H7:0</b> |    |    |    |    |    |    |    | <b>MAFPA3H</b> |
| Read/Write    | RW                | RW | RW | RW | RW | RW | RW | RW |                |
| Initial Value | 1                 | 1  | 1  | 1  | 1  | 1  | 1  | 1  |                |

This register contains the upper 8 bits of the MAC PAN ID for Frame Filter 3 address recognition.

- **Bit 7:0 – MAFPA3H7:0 - MAC Personal Area Network ID high Byte for Frame Filter 3**

These bits contain the bits [15:8] of the MAC PAN ID for Frame Filter 3.

### 9.12.63 MAFPA3L – Transceiver Personal Area Network ID Register for Frame Filter 3 (Low Byte)

|               |                   |    |    |    |    |    |    |    |                |
|---------------|-------------------|----|----|----|----|----|----|----|----------------|
| Bit           | 7                 | 6  | 5  | 4  | 3  | 2  | 1  | 0  |                |
| NA (\$11C)    | <b>MAFPA3L7:0</b> |    |    |    |    |    |    |    | <b>MAFPA3L</b> |
| Read/Write    | RW                | RW | RW | RW | RW | RW | RW | RW |                |
| Initial Value | 1                 | 1  | 1  | 1  | 1  | 1  | 1  | 1  |                |

This register contains the lower 8 bits of the MAC PAN ID for Frame Filter 3 address recognition.

- **Bit 7:0 – MAFPA3L7:0 - MAC Personal Area Network ID low Byte for Frame Filter 3**

These bits contain the bits [7:0] of the MAC PAN ID for Frame Filter 3.

### 9.12.64 MAFSA0H – Transceiver MAC Short Address Register for Frame Filter 0 (High Byte)

|               |                   |    |    |    |    |    |    |    |                |
|---------------|-------------------|----|----|----|----|----|----|----|----------------|
| Bit           | 7                 | 6  | 5  | 4  | 3  | 2  | 1  | 0  |                |
| NA (\$10F)    | <b>MAFSA0H7:0</b> |    |    |    |    |    |    |    | <b>MAFSA0H</b> |
| Read/Write    | RW                | RW | RW | RW | RW | RW | RW | RW |                |
| Initial Value | 1                 | 1  | 1  | 1  | 1  | 1  | 1  | 1  |                |

This register contains the upper 8 bits of the MAC short address for Frame Filter 0 address recognition.

- **Bit 7:0 – MAFSA0H7:0 - MAC Short Address high Byte for Frame Filter 0**

These bits contain the bits [15:8] of the MAC short address for Frame Filter 0.

## 9.12.65 MAFSA0L – Transceiver MAC Short Address Register for Frame Filter 0 (Low Byte)

| Bit           | 7                 | 6  | 5  | 4  | 3  | 2  | 1  | 0  |                |
|---------------|-------------------|----|----|----|----|----|----|----|----------------|
| NA (\$10E)    | <b>MAFSA0L7:0</b> |    |    |    |    |    |    |    | <b>MAFSA0L</b> |
| Read/Write    | RW                | RW | RW | RW | RW | RW | RW | RW |                |
| Initial Value | 1                 | 1  | 1  | 1  | 1  | 1  | 1  | 1  |                |

This register contains the lower 8 bits of the MAC short address for Frame Filter 0 address recognition.

- **Bit 7:0 – MAFSA0L7:0 - MAC Short Address low Byte for Frame Filter 0**

These bits contain the bits [7:0] of the MAC short address for Frame Filter 0.

## 9.12.66 MAFSA1H – Transceiver MAC Short Address Register for Frame Filter 1 (High Byte)

| Bit           | 7                 | 6  | 5  | 4  | 3  | 2  | 1  | 0  |                |
|---------------|-------------------|----|----|----|----|----|----|----|----------------|
| NA (\$113)    | <b>MAFSA1H7:0</b> |    |    |    |    |    |    |    | <b>MAFSA1H</b> |
| Read/Write    | RW                | RW | RW | RW | RW | RW | RW | RW |                |
| Initial Value | 1                 | 1  | 1  | 1  | 1  | 1  | 1  | 1  |                |

This register contains the upper 8 bits of the MAC short address for Frame Filter 1 address recognition.

- **Bit 7:0 – MAFSA1H7:0 - MAC Short Address high Byte for Frame Filter 1**

These bits contain the bits [15:8] of the MAC short address for Frame Filter 1.

## 9.12.67 MAFSA1L – Transceiver MAC Short Address Register for Frame Filter 1 (Low Byte)

| Bit           | 7                 | 6  | 5  | 4  | 3  | 2  | 1  | 0  |                |
|---------------|-------------------|----|----|----|----|----|----|----|----------------|
| NA (\$112)    | <b>MAFSA1L7:0</b> |    |    |    |    |    |    |    | <b>MAFSA1L</b> |
| Read/Write    | RW                | RW | RW | RW | RW | RW | RW | RW |                |
| Initial Value | 1                 | 1  | 1  | 1  | 1  | 1  | 1  | 1  |                |

This register contains the lower 8 bits of the MAC short address for Frame Filter 1 address recognition.

- **Bit 7:0 – MAFSA1L7:0 - MAC Short Address low Byte for Frame Filter 1**

These bits contain the bits [7:0] of the MAC short address for Frame Filter 1.

## 9.12.68 MAFSA2H – Transceiver MAC Short Address Register for Frame Filter 2 (High Byte)

|               |                   |    |    |    |    |    |    |    |                |
|---------------|-------------------|----|----|----|----|----|----|----|----------------|
| Bit           | 7                 | 6  | 5  | 4  | 3  | 2  | 1  | 0  |                |
| NA (\$117)    | <b>MAFSA2H7:0</b> |    |    |    |    |    |    |    | <b>MAFSA2H</b> |
| Read/Write    | RW                | RW | RW | RW | RW | RW | RW | RW |                |
| Initial Value | 1                 | 1  | 1  | 1  | 1  | 1  | 1  | 1  |                |

This register contains the upper 8 bits of the MAC short address for Frame Filter 2 address recognition.

- **Bit 7:0 – MAFSA2H7:0 - MAC Short Address high Byte for Frame Filter 2**

These bits contain the bits [15:8] of the MAC short address for Frame Filter 2.

## 9.12.69 MAFSA2L – Transceiver MAC Short Address Register for Frame Filter 2 (Low Byte)

|               |                   |    |    |    |    |    |    |    |                |
|---------------|-------------------|----|----|----|----|----|----|----|----------------|
| Bit           | 7                 | 6  | 5  | 4  | 3  | 2  | 1  | 0  |                |
| NA (\$116)    | <b>MAFSA2L7:0</b> |    |    |    |    |    |    |    | <b>MAFSA2L</b> |
| Read/Write    | RW                | RW | RW | RW | RW | RW | RW | RW |                |
| Initial Value | 1                 | 1  | 1  | 1  | 1  | 1  | 1  | 1  |                |

This register contains the lower 8 bits of the MAC short address for Frame Filter 2 address recognition.

- **Bit 7:0 – MAFSA2L7:0 - MAC Short Address low Byte for Frame Filter 2**

These bits contain the bits [7:0] of the MAC short address for Frame Filter 2.

## 9.12.70 MAFSA3H – Transceiver MAC Short Address Register for Frame Filter 3 (High Byte)

|               |                   |    |    |    |    |    |    |    |                |
|---------------|-------------------|----|----|----|----|----|----|----|----------------|
| Bit           | 7                 | 6  | 5  | 4  | 3  | 2  | 1  | 0  |                |
| NA (\$11B)    | <b>MAFSA3H7:0</b> |    |    |    |    |    |    |    | <b>MAFSA3H</b> |
| Read/Write    | RW                | RW | RW | RW | RW | RW | RW | RW |                |
| Initial Value | 1                 | 1  | 1  | 1  | 1  | 1  | 1  | 1  |                |

This register contains the upper 8 bits of the MAC short address for Frame Filter 3 address recognition.

- **Bit 7:0 – MAFSA3H7:0 - MAC Short Address high Byte for Frame Filter 3**

These bits contain the bits [15:8] of the MAC short address for Frame Filter 3.

## 9.12.71 MAFSA3L – Transceiver MAC Short Address Register for Frame Filter 3 (Low Byte)

|               |                   |    |    |    |    |    |    |    |                |
|---------------|-------------------|----|----|----|----|----|----|----|----------------|
| Bit           | 7                 | 6  | 5  | 4  | 3  | 2  | 1  | 0  |                |
| NA (\$11A)    | <b>MAFSA3L7:0</b> |    |    |    |    |    |    |    | <b>MAFSA3L</b> |
| Read/Write    | RW                | RW | RW | RW | RW | RW | RW | RW |                |
| Initial Value | 1                 | 1  | 1  | 1  | 1  | 1  | 1  | 1  |                |

This register contains the lower 8 bits of the MAC short address for Frame Filter 3 address recognition.



- **Bit 7:0 – MAFSA3L7:0 - MAC Short Address low Byte for Frame Filter 3**  
These bits contain the bits [7:0] of the MAC short address for Frame Filter 3.

## 9.12.72 TST\_CTRL\_DIGI – Transceiver Digital Test Control Register

|               |                       |    |                       |
|---------------|-----------------------|----|-----------------------|
| Bit           | 7                     | 6  |                       |
| NA (\$176)    | <b>TST_CTRL_DIG_7</b> |    | <b>TST_CTRL_DIG_6</b> |
| Read/Write    | RW                    | RW | TST_CTRL_DIGI         |
| Initial Value | 0                     | 0  |                       |
| Bit           | 5                     | 4  |                       |
| NA (\$176)    | <b>TST_CTRL_DIG_5</b> |    | <b>TST_CTRL_DIG_4</b> |
| Read/Write    | RW                    | RW | TST_CTRL_DIGI         |
| Initial Value | 0                     | 0  |                       |
| Bit           | 3                     | 2  |                       |
| NA (\$176)    | <b>TST_CTRL_DIG3</b>  |    | <b>TST_CTRL_DIG2</b>  |
| Read/Write    | RW                    | RW | TST_CTRL_DIGI         |
| Initial Value | 0                     | 0  |                       |
| Bit           | 1                     | 0  |                       |
| NA (\$176)    | <b>TST_CTRL_DIG1</b>  |    | <b>TST_CTRL_DIG0</b>  |
| Read/Write    | RW                    | RW | TST_CTRL_DIGI         |
| Initial Value | 0                     | 0  |                       |

This register takes part in the activation sequence of the continuous transmission test mode. Other functionality of this register is reserved for internal use.

- **Bit 7 – TST\_CTRL\_DIG\_7 - Disable Receiver Baseband Frequency Synthesis**  
This bit is reserved for internal use. It is used to switch the frequency synthesis of the receiver baseband path. A value of 0 switches the synthesis on. A value of 1 switches the synthesis off.
- **Bit 6 – TST\_CTRL\_DIG\_6 - Disable Receiver Baseband Drift Compensation**  
This bit is reserved for internal use. It is used to switch the drift compensation of the receiver baseband path. A value of 0 switches the compensation on. A value of 1 switches the compensation off.
- **Bit 5 – TST\_CTRL\_DIG\_5 - Enable Switch of Transceiver FIFO**  
This bit is reserved for internal use. It is used enable a bypass for TX/RX FIFO buffers. A frame transmit will be write the TX FIFO data directly into the RX FIFO data field with the same address. This test can be used for the RX/TX FIFO test. A value of 0 disables the bypass. A value of 1 enables the bypass.
- **Bit 4 – TST\_CTRL\_DIG\_4 - Switch Receiver Input Data**  
This bit is reserved for internal use. It is used to switch the input source from the receiver. A value of 0 selects the default RX ADC path. A value of 1 selects the DIG1 pin as a receive data source.
- **Bit 3:0 – TST\_CTRL\_DIG3:0 - Digital Test Controller Register**  
This sub-register selects a test controller function. All values not listed int the following table are reserved for internal use.

**Table 9-79 TST\_CTRL\_DIG Register Bits**

| Register Bits   | Value | Description                       |
|-----------------|-------|-----------------------------------|
| TST_CTRL_DIG3:0 | 0     | NORMAL (no test is active)        |
|                 | 15    | TST_CONT_TX (continuous transmit) |

### 9.12.73 TST\_RX\_LENGTH – Transceiver Received Frame Length Register

| Bit           | 7  | 6 | 5 | 4 |               |
|---------------|--|---|---|---|---------------|
| NA (\$17B)    | <b>RX_LENGTH7 RX_LENGTH6 RX_LENGTH5 RX_LENGTH4</b> |   |   |   | TST_RX_LENGTH |
| Read/Write    | R  | R | R | R |               |
| Initial Value | 0  | 0 | 0 | 0 |               |
| Bit           | 3  | 2 | 1 | 0 |               |
| NA (\$17B)    | <b>RX_LENGTH3 RX_LENGTH2 RX_LENGTH1 RX_LENGTH0</b> |   |   |   | TST_RX_LENGTH |
| Read/Write    | R  | R | R | R |               |
| Initial Value | 0  | 0 | 0 | 0 |               |

This register contains the frame length information of a received frame. This information is not stored in the frame buffer. The frame length information is written to this register after the last received octet.

- **Bit 7:0 – RX\_LENGTH7:0 - Received Frame Length**

These bits contain the length of the last received frame.

### 9.12.74 TRXFBST – Start of frame buffer

| Bit           | 7                 | 6  | 5  | 4  | 3  | 2  | 1  | 0  |         |
|---------------|-------------------|----|----|----|----|----|----|----|---------|
| NA (\$180)    | <b>TRXFBST7:0</b> |    |    |    |    |    |    |    | TRXFBST |
| Read/Write    | RW                | RW | RW | RW | RW | RW | RW | RW |         |
| Initial Value | 0                 | 0  | 0  | 0  | 0  | 0  | 0  | 0  |         |

This register is the first byte of the 128 byte long frame buffer of the radio transceiver.

- **Bit 7:0 – TRXFBST7:0 - Frame Buffer Start Byte**

### 9.12.75 TRXFBEND – End of frame buffer

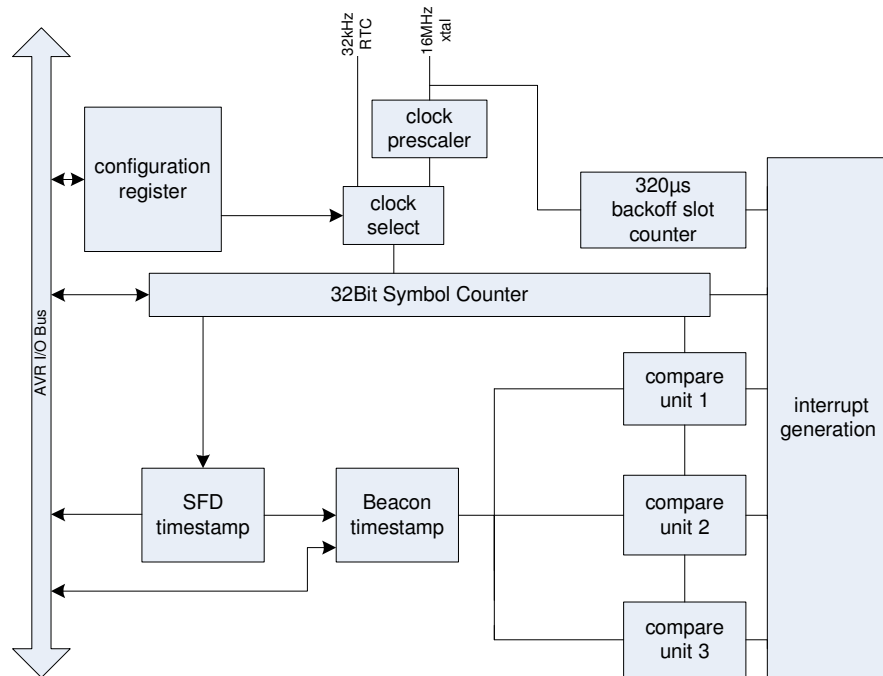
| Bit           | 7                  | 6  | 5  | 4  | 3  | 2  | 1  | 0  |          |
|---------------|--------------------|----|----|----|----|----|----|----|----------|
| NA (\$1FF)    | <b>TRXFBEND7:0</b> |    |    |    |    |    |    |    | TRXFBEND |
| Read/Write    | RW                 | RW | RW | RW | RW | RW | RW | RW |          |
| Initial Value | 0                  | 0  | 0  | 0  | 0  | 0  | 0  | 0  |          |

This register is the last byte of the 128 byte long frame buffer of the radio transceiver.

- **Bit 7:0 – TRXFBEND7:0 - Frame Buffer End Byte**

## 10 MAC Symbol Counter

Figure 10-1. Symbol Counter Overview



### 10.1 Main Features

The MAC symbol counter provides symbol timing information for IEEE 802.15.4 wireless networks. The counter time base can be derived from the 16 MHz crystal or the RTC (32.768 kHz crystal on TOSC) during operation. In deep-sleep mode the counter operates from the RTC clock. The module provides the following features:

- **Backoff slot counter with interrupt generation**
- **Counter clock source selection between XTAL1 (16 MHz) and TOSC1 (RTC)**
- **Automatic RTC clock selection for sleep mode operation and automatic fallback**
- **3 independent compare units with relative and absolute compare mode and interrupt generation (support for slotted operation and superframe handling)**
- **Low-power, deep-sleep mode operation and system wake up with all symbol counter interrupt events**
- **Automatic SFD and incoming beacon timestamping**
- **Manual beacon timestamping**
- **Manual timer synchronization within a 16 µs symbol period by resetting clock prescaler and backoff slot counter**
- **Atomic read/write access for 32 bit registers**

### 10.2 Clock source selection and Sleep/Active mode operation

The symbol counter can be sourced by the transceiver clock or by the asynchronous Real Time Clock (RTC) oscillator. If the transceiver goes from active mode into sleep mode, the symbol counter clock source is switched to the RTC clock automatically. A

clock source change is indicated in the bit SCCKSEL of Register "SCCR0 – Symbol Counter Control Register 0" on page 169 . The bit SCCKSEL can not be written if the radio transceiver is in SLEEP mode.

After wake up, the counter switches back to the clock source which was selected before going to sleep mode. Switching the clock source from RTC to 16 MHz resets the 16 MHz clock prescaler. This makes sure, that after switching back the clock source, the symbol counter starts counting with a full 16  $\mu$ s symbol period.

The clock source can be selected with bit SCCKSEL in the SCCR0 Register

**Note:** The AVR system clock has to be at least 4 times the symbol counter clock frequency. The symbol counter clock frequency is usually 62.5kHz, which would require a minimum of 250kHz AVR system clock frequency.

### 10.3 32 bit Register Access (Atomic Read/Write)

All 32 bit registers support atomic read or write operation. That means reading or writing the least significant xxxLL byte (the register name ends in LL) updates or captures the complete 32 bit value.

**Read Access:** 1. Reading the LL-Byte captures the 32 bit value in a temporary register  
2. Read the upper 3 bytes

**Write Access:** 1. Write the upper 3 byte  
2. Writing the LL-Byte stores the 32 bit value in the counter registers

The same temporary register is used for all 32 bit register of the MAC symbol counter.

### 10.4 Symbol Counter (32 bit, SCCNT)

The symbol counter is a 32 bit counter which can be sourced by a 62.5 kHz clock, derived from the 16 MHz system clock or from the RTC (32.768 kHz). If sourced by the RTC, a special control circuitry ensures that the counter error does not exceed one symbol period.

The symbol counter can be set or read from the controller. Reading must start with the least significant byte. If the least significant byte is accessed, all 32 bit of the counter are captured. A read access to SCCNTLL requires a maximum of three AVR clocks. Reading the upper three bytes of the counter requires two CPU clock cycles for each byte.

Writing to the counter should start with the most significant byte. Writing the least significant byte initiates the counter update and the new 32 bit counter value is loaded into the counter with the next available counter clock edge. This can take up to 16  $\mu$ s beginning from the low byte write operation, if the counter is sourced by the RTC.

If the counter clock is derived from the 16 MHz clock system, the new counter value is stored immediately.

During the counter update cycle, the counter busy flag SCBSY in the SCSR register is set to "1". As long as this bit is "1", no further read/write access to the counter should be initiated. The same applies if the AVR is forced to any sleep mode with disabled AVR clock, right after writing to the SCCNT register. If the counter busy flag is not checked before going to sleep, it is possible that the counter register is not updated correctly.

The symbol counter overflow is indicated by a overflow interrupt. The interrupt is generated when the counter turns from 0xFFFFFFFF to 0x00000000.

### 10.5 Symbol Counter SFD Timestamp Register (32 bit, SCTSR, Read Only)

The SFD timestamp register stores the symbol counter value at the time, the SFD has been detected. The Register value becomes valid if a valid frame length byte (frame

length > 0) has been detected, but it is not checked if the received frame is valid (CRC check). Timestamping must be enabled in the control register (Bit SCTSE of Register SCCR0). A read access to SCTSRL requires a maximum of three AVR clocks. Reading the upper three bytes of the timestamp requires two CPU clock cycles for each byte.

Note that there is no separate interrupt provided for timestamping. Instead the TRX24\_RX\_START interrupt can be used (see ["Interrupt Vectors in ATmega2564/1284/644RFR2" on page 241](#)).

## 10.6 Symbol Counter Beacon Timestamp Register (32 bit, SCBTSR)

If timestamping is enabled in the SCCR register, the beacon timestamp register is updated with the SFD timestamp at the end of the received frame, if the received frame was a beacon frame with valid FCS and:

- Source PAN identifier == {PAN\_ID\_1, PAN\_ID\_0}

or

- {PAN\_ID\_1, PAN\_ID\_0} == 0xFFFF

PAN\_ID\_0 and PAN\_ID\_1 are register of the radio transceiver, see ["PAN\\_ID\\_0 – Transceiver Personal Area Network ID Register \(Low Byte\)" on page 139](#).

Beacon timestamps can also be generated manually. Writing "1" to SCMBTS of Register SCCR0 captures the current symbol counter value and stores it in the beacon timestamp register. The bit is cleared automatically afterwards.

It is also possible to manually set the register in order to provide a distinct starting value for the relative compare modes (see next section).

## 10.7 Compare Unit (3x 32 bit, SCOCR1, SCOCR2, SCOCR3)

The compare unit contains 3 independent 32 bit compare modules and is used to compare the current counter value with the value stored in the compare register, and optionally the beacon timestamp register. There are two possible modes available which can be selected separately for all three compare modules:

**1. Absolute Compare:** In this mode the value stored in the compare register is compared directly with the symbol counter value (SCCNT == SCOCR<sub>x</sub>). If the values are equal an interrupt is generated.

**2. Relative Compare:** This mode allows the compare between the current symbol counter value and the compare value plus the beacon timestamp value (SCCNT == SCBTSR + SCOCR<sub>x</sub>). This mode can be used to generate an interrupt at a time offset relative to the value stored in the beacon timestamp register.

Note that a beacon timestamp is valid after a valid FCS. The relative compare must exceed the beacon length, otherwise no relative compare interrupt will occur.

## 10.8 Interrupt Control Registers

The interrupt status and mask registers control the interrupt generation. Each interrupt can be enabled in SCIRQM (Symbol Counter IRQ Mask Register). If an interrupt occurs, the appropriate interrupt flag within the interrupt status register is set regardless of the interrupt mask register setting. If the appropriate interrupt is enabled, an interrupt is generated.

The interrupt flags can be cleared either by:

1. Entering the respective interrupt handler, or
2. Writing "one" to the according interrupt flag in the interrupt status register.

All Interrupts can be used to wakeup the controller from any sleep state.

## 10.9 Backoff Slot Counter

The backoff slot counter can be used to provide accurate MAC protocol timing. The counter is sourced by the transceiver clock and works only if the transceiver clock is running. If the transceiver is disabled or in sleep mode the counter is also disabled.

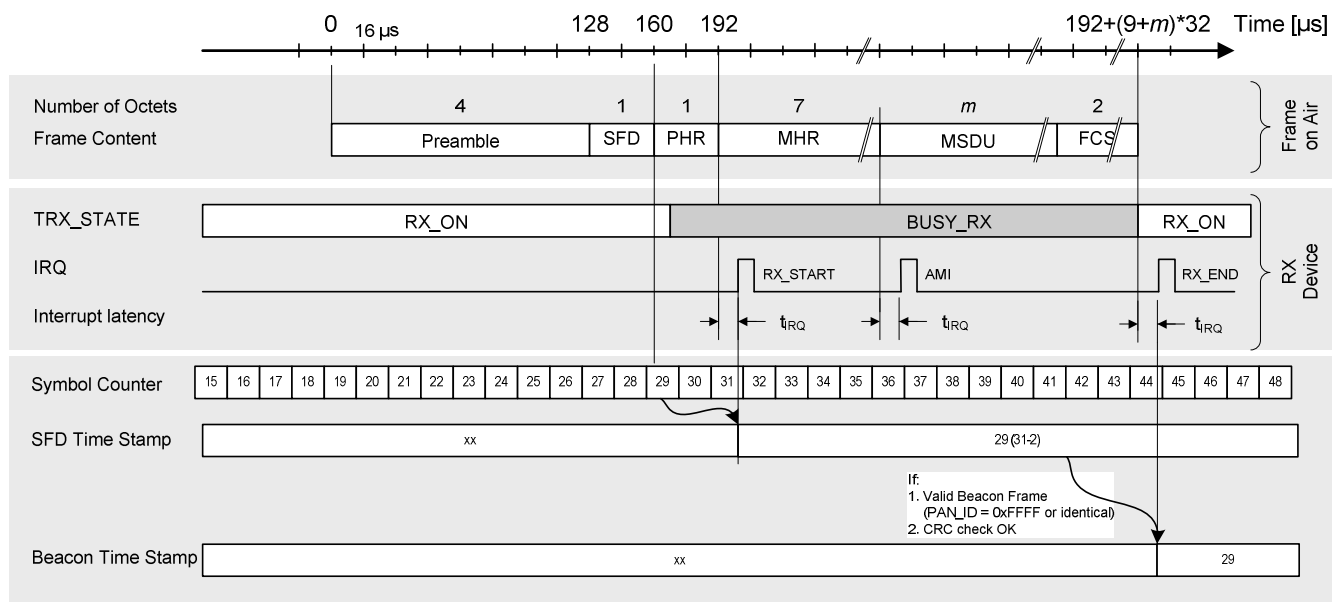
The counter generates periodic Interrupts every 20 symbols, i.e. every 320  $\mu$ s.

## 10.10 Symbol Counter Usage

### 10.10.1 SFD and Beacon Timestamp Generation

The SFD timestamp register is updated with the symbol counter value at the time the SFD value has been received completely. For an incoming frame, the register is valid after the RX\_START IRQ was issued until the next RX\_START IRQ. SFD timestamps are generated for all incoming frames with valid SFD and length field even if the PSDU is corrupted (invalid FCS).

**Figure 10-2.** SFD and Beacon Timestamp Generation



Note that Figure 10-2 contains no exact timing information; it is for visualization only.

The beacon timestamp register is updated with the SFD timestamp value at the end of the frame (RX\_END IRQ), if the received frame was a beacon frame with valid FCS and expected source PAN identifier or { PAN\_ID\_1, PAN\_ID\_0 } = 0xFFFF.

The register value is valid until a new beacon frame has been received or the beacon timestamp is updated manually. A manual beacon timestamp can be generated by writing "1" to SCMBTS of the SCCR0 register.

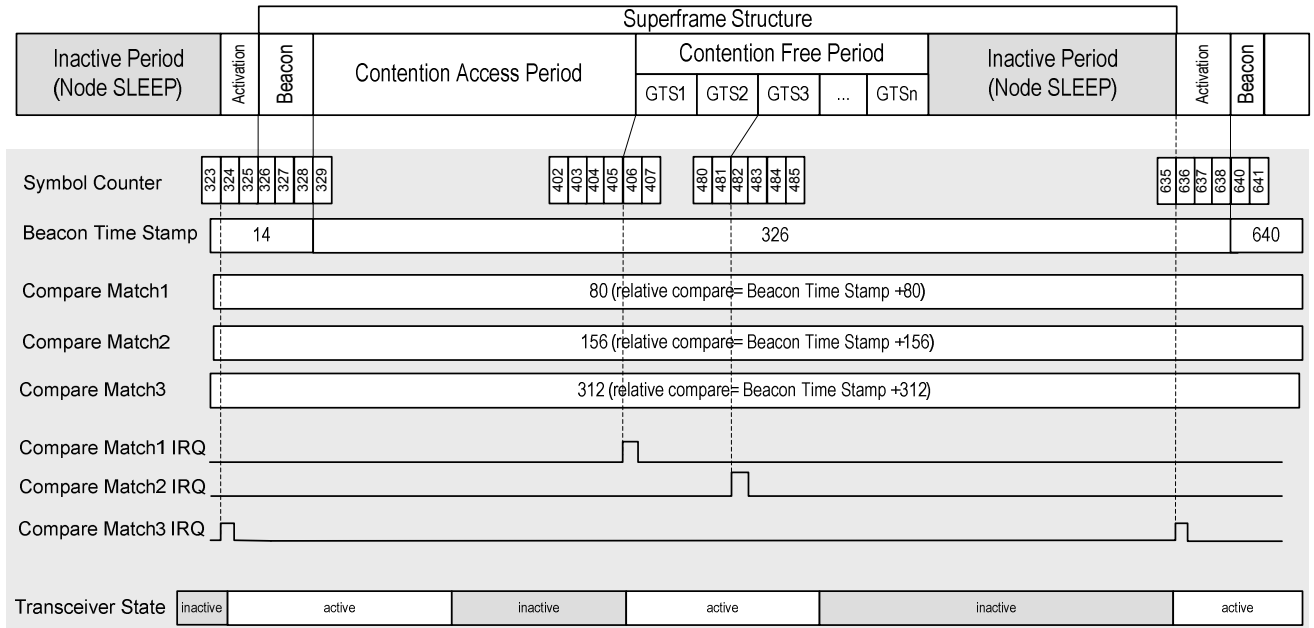
### 10.10.2 Relative Compare Mode for Superframe Access Timing

The IEEE 802.15.4 describes a superframe structure which contains different time slots where a device can access the channel.

The Symbol Counter together with the three compare units provide support for waking up the device at the right time to receive the beacon for superframe synchronization and at certain times within the superframe.

A typical superframe timing scenario using the symbol counter relative compare mode is shown in Figure 10-3 below. The Symbol Counter values in the figure do not reflect realistic time intervals but demonstrate the principle of operation.

**Figure 10-3. Relative Compare Mode**



The compare match registers are programmed with symbol intervals relative to the beacon frame SFD timestamp. For instance the SCCMP1 is programmed to 80, because the first Granted Time Slot (GTS1) is expected 80 symbols after the beacon frame. Register SCCMP2 is programmed to 156 to meet GTS3 156 symbols after the beacon frame. SCCMP3 is programmed to 312. This is the time interval where the beacon of the next superframe is expected. Because it requires some time to activate the transceiver and there is also some timing drift possible, the compare interrupt must be programmed to wake up some symbols in advance to make sure the next beacon is not missed.

If the controller receives a compare match wake up event it is activating the transceiver. After the frame operations are finished, the system can go back to sleep until the next compare match event occurs.

## 10.11 Register Description

### 10.11.1 SCCSR – Symbol Counter Compare Source Register

| Bit           | 7           | 6           | 5             | 4             | 3             | 2             | 1             | 0             |              |
|---------------|-------------|-------------|---------------|---------------|---------------|---------------|---------------|---------------|--------------|
| NA (\$DB)     | <b>Res1</b> | <b>Res0</b> | <b>SCCS31</b> | <b>SCCS30</b> | <b>SCCS21</b> | <b>SCCS20</b> | <b>SCCS11</b> | <b>SCCS10</b> | <b>SCCSR</b> |
| Read/Write    | R           | R           | RW            | RW            | RW            | RW            | RW            | RW            |              |
| Initial Value | 0           | 0           | 0             | 0             | 0             | 0             | 0             | 0             |              |

The Register describes the source timestamp register used for the relative compare mode. The time stamp source can be selected separately for each compare unit. Possible sources for the relative compare are the Transmit Timestamp, the Receive Timestamp or the Beacon Timestamp (default).

- **Bit 7:6 – Res1:0 - Reserved Bit**

This bit is reserved for future use. The result of a read access is undefined. The register bit must always be written with the reset value.

- **Bit 5:4 – SCCS31:30 - Symbol Counter Compare Source select register for Compare Unit 3**

This configuration bits allow the selection of the source timestamp used for the relative compare mode. The default selection is the Beacon Timestamp Register, but the Transmit Frame Timestamp or the Receive Frame Timestamp register can also be selected.

**Table 10-80** SCCS3 Register Bits

| Register Bits | Value | Description  |
|---------------|-------|--|
| SCCS31:30     | 0     | Compare Unit 3 Relative Compare Source = Beacon Timestamp Register         |
|               | 1     | Compare Unit 3 Relative Compare Source = Transmit Frame Timestamp Register |
|               | 2     | Compare Unit 3 Relative Compare Source = Received Frame Timestamp Register |

- **Bit 3:2 – SCCS21:20 - Symbol Counter Compare Source select register for Compare Unit 2**

This configuration bits allow the selection of the source timestamp used for the relative compare mode. The default selection is the Beacon Timestamp Register, but the Transmit Frame Timestamp or the Receive Frame Timestamp register can also be selected.

**Table 10-81** SCCS2 Register Bits

| Register Bits | Value | Description  |
|---------------|-------|--|
| SCCS21:20     | 0     | Compare Unit 2 Relative Compare Source = Beacon Timestamp Register         |
|               | 1     | Compare Unit 2 Relative Compare Source = Transmit Frame Timestamp Register |
|               | 2     | Compare Unit 2 Relative Compare Source = Received Frame Timestamp Register |

- **Bit 1:0 – SCCS11:10 - Symbol Counter Compare Source select register for Compare Unit 1**

This configuration bits allow the selection of the source timestamp used for the relative compare mode. The default selection is the Beacon Timestamp Register, but the Transmit Frame Timestamp or the Receive Frame Timestamp register can also be selected.

**Table 10-82** SCCS1 Register Bits

| Register Bits | Value | Description  |
|---------------|-------|--|
| SCCS11:10     | 0     | Compare Unit 1 Relative Compare Source = Beacon Timestamp Register         |
|               | 1     | Compare Unit 1 Relative Compare Source = Transmit Frame Timestamp Register |



| Register Bits | Value | Description  |
|---------------|-------|--|
|               | 2     | Compare Unit 1 Relative Compare Source = Received Frame Timestamp Register |

## 10.11.2 SCCNTHH – Symbol Counter Register HH-Byte

|               |            |    |    |    |    |    |    |    |         |
|---------------|------------|----|----|----|----|----|----|----|---------|
| Bit           | 7          | 6  | 5  | 4  | 3  | 2  | 1  | 0  |         |
| NA (\$E4)     | SCCNTHH7:0 |    |    |    |    |    |    |    | SCCNTHH |
| Read/Write    | RW         | RW | RW | RW | RW | RW | RW | RW |         |
| Initial Value | 0          | 0  | 0  | 0  | 0  | 0  | 0  | 0  |         |

This register contains the most significant byte of the 32 bit Symbol Counter.

- **Bit 7:0 – SCCNTHH7:0 - Symbol Counter Register HH-Byte**

## 10.11.3 SCCNTHL – Symbol Counter Register HL-Byte

|               |            |    |    |    |    |    |    |    |         |
|---------------|------------|----|----|----|----|----|----|----|---------|
| Bit           | 7          | 6  | 5  | 4  | 3  | 2  | 1  | 0  |         |
| NA (\$E3)     | SCCNTHL7:0 |    |    |    |    |    |    |    | SCCNTHL |
| Read/Write    | RW         | RW | RW | RW | RW | RW | RW | RW |         |
| Initial Value | 0          | 0  | 0  | 0  | 0  | 0  | 0  | 0  |         |

This register contains the second most significant byte of the 32 bit Symbol Counter.

- **Bit 7:0 – SCCNTHL7:0 - Symbol Counter Register HL-Byte**

## 10.11.4 SCCNTLH – Symbol Counter Register LH-Byte

|               |            |    |    |    |    |    |    |    |         |
|---------------|------------|----|----|----|----|----|----|----|---------|
| Bit           | 7          | 6  | 5  | 4  | 3  | 2  | 1  | 0  |         |
| NA (\$E2)     | SCCNTLH7:0 |    |    |    |    |    |    |    | SCCNTLH |
| Read/Write    | RW         | RW | RW | RW | RW | RW | RW | RW |         |
| Initial Value | 0          | 0  | 0  | 0  | 0  | 0  | 0  | 0  |         |

This register contains the second least significant byte of the 32 bit Symbol Counter.

- **Bit 7:0 – SCCNTLH7:0 - Symbol Counter Register LH-Byte**

## 10.11.5 SCCNTLL – Symbol Counter Register LL-Byte

|               |            |    |    |    |    |    |    |    |         |
|---------------|------------|----|----|----|----|----|----|----|---------|
| Bit           | 7          | 6  | 5  | 4  | 3  | 2  | 1  | 0  |         |
| NA (\$E1)     | SCCNTLL7:0 |    |    |    |    |    |    |    | SCCNTLL |
| Read/Write    | RW         | RW | RW | RW | RW | RW | RW | RW |         |
| Initial Value | 0          | 0  | 0  | 0  | 0  | 0  | 0  | 0  |         |

This register contains the least significant byte of the 32 bit Symbol Counter.

- **Bit 7:0 – SCCNTLL7:0 - Symbol Counter Register LL-Byte**

### 10.11.6 SCTSRHH – Symbol Counter Frame Timestamp Register HH-Byte

|               |            |   |   |   |   |   |   |   |         |
|---------------|------------|---|---|---|---|---|---|---|---------|
| Bit           | 7          | 6 | 5 | 4 | 3 | 2 | 1 | 0 |         |
| NA (\$EC)     | SCTSRHH7:0 |   |   |   |   |   |   |   | SCTSRHH |
| Read/Write    | R          | R | R | R | R | R | R | R |         |
| Initial Value | 0          | 0 | 0 | 0 | 0 | 0 | 0 | 0 |         |

This register contains the most significant byte of the 32 bit frame (SFD) timestamp register

- **Bit 7:0 – SCTSRHH7:0 - Symbol Counter Frame Timestamp Register HH-Byte**

### 10.11.7 SCTSRHL – Symbol Counter Frame Timestamp Register HL-Byte

|               |            |   |   |   |   |   |   |   |         |
|---------------|------------|---|---|---|---|---|---|---|---------|
| Bit           | 7          | 6 | 5 | 4 | 3 | 2 | 1 | 0 |         |
| NA (\$EB)     | SCTSRHL7:0 |   |   |   |   |   |   |   | SCTSRHL |
| Read/Write    | R          | R | R | R | R | R | R | R |         |
| Initial Value | 0          | 0 | 0 | 0 | 0 | 0 | 0 | 0 |         |

This register contains the second most significant byte of the 32 bit Frame (SFD) Timestamp Register

- **Bit 7:0 – SCTSRHL7:0 - Symbol Counter Frame Timestamp Register HL-Byte**

### 10.11.8 SCTSRLH – Symbol Counter Frame Timestamp Register LH-Byte

|               |            |   |   |   |   |   |   |   |         |
|---------------|------------|---|---|---|---|---|---|---|---------|
| Bit           | 7          | 6 | 5 | 4 | 3 | 2 | 1 | 0 |         |
| NA (\$EA)     | SCTSRLH7:0 |   |   |   |   |   |   |   | SCTSRLH |
| Read/Write    | R          | R | R | R | R | R | R | R |         |
| Initial Value | 0          | 0 | 0 | 0 | 0 | 0 | 0 | 0 |         |

This register contains the second least significant byte of the 32 bit Frame (SFD) Timestamp Register

- **Bit 7:0 – SCTSRLH7:0 - Symbol Counter Frame Timestamp Register LH-Byte**

### 10.11.9 SCTSRLH – Symbol Counter Frame Timestamp Register LL-Byte

|               |            |   |   |   |   |   |   |   |         |
|---------------|------------|---|---|---|---|---|---|---|---------|
| Bit           | 7          | 6 | 5 | 4 | 3 | 2 | 1 | 0 |         |
| NA (\$E9)     | SCTSRLH7:0 |   |   |   |   |   |   |   | SCTSRLH |
| Read/Write    | R          | R | R | R | R | R | R | R |         |
| Initial Value | 0          | 0 | 0 | 0 | 0 | 0 | 0 | 0 |         |

This register contains the least significant byte of the 32 bit Frame (SFD) Timestamp Register

- **Bit 7:0 – SCTSRLH7:0 - Symbol Counter Frame Timestamp Register LL-Byte**

## 10.11.10 SCTSTRHH – Symbol Counter Transmit Frame Timestamp Register HH-Byte

|               |             |   |   |   |   |   |   |   |          |
|---------------|-------------|---|---|---|---|---|---|---|----------|
| Bit           | 7           | 6 | 5 | 4 | 3 | 2 | 1 | 0 |          |
| NA (\$FC)     | SCTSTRHH7:0 |   |   |   |   |   |   |   | SCTSTRHH |
| Read/Write    | R           | R | R | R | R | R | R | R |          |
| Initial Value | 0           | 0 | 0 | 0 | 0 | 0 | 0 | 0 |          |

This register contains the most significant byte of the 32 bit Transmit Frame Timestamp Register. The Transmit Frame Timestamp Register is updated one symbol before the beginning of the frame transmission (preamble transmission). To align the Transmit Frame Timestamp with a Received Frame Timestamp (SFD Timestamp), a fixed offset of 11 symbols (1 Symbol Startup + 8 Symbols Preamble + 2 Symbols SFD) need to be added to the Transmit Timestamp .

- **Bit 7:0 – SCTSTRHH7:0 - Symbol Counter Transmit Frame Timestamp Register HH-Byte**

## 10.11.11 SCTSTRHL – Symbol Counter Transmit Frame Timestamp Register HL-Byte

|               |             |   |   |   |   |   |   |   |          |
|---------------|-------------|---|---|---|---|---|---|---|----------|
| Bit           | 7           | 6 | 5 | 4 | 3 | 2 | 1 | 0 |          |
| NA (\$FB)     | SCTSTRHL7:0 |   |   |   |   |   |   |   | SCTSTRHL |
| Read/Write    | R           | R | R | R | R | R | R | R |          |
| Initial Value | 0           | 0 | 0 | 0 | 0 | 0 | 0 | 0 |          |

This register contains the second most significant byte of the 32 bit Transmit Frame Timestamp Register.

- **Bit 7:0 – SCTSTRHL7:0 - Symbol Counter Transmit Frame Timestamp Register HL-Byte**

## 10.11.12 SCTSTR LH – Symbol Counter Transmit Frame Timestamp Register LH-Byte

|               |              |   |   |   |   |   |   |   |           |
|---------------|--------------|---|---|---|---|---|---|---|-----------|
| Bit           | 7            | 6 | 5 | 4 | 3 | 2 | 1 | 0 |           |
| NA (\$FA)     | SCTSTR LH7:0 |   |   |   |   |   |   |   | SCTSTR LH |
| Read/Write    | R            | R | R | R | R | R | R | R |           |
| Initial Value | 0            | 0 | 0 | 0 | 0 | 0 | 0 | 0 |           |

This register contains the second least significant byte of the 32 bit Transmit Frame Timestamp Register.

- **Bit 7:0 – SCTSTR LH7:0 - Symbol Counter Transmit Frame Timestamp Register LH-Byte**

## 10.11.13 SCTSTRLL – Symbol Counter Transmit Frame Timestamp Register LL-Byte

|               |             |   |   |   |   |   |   |   |          |
|---------------|-------------|---|---|---|---|---|---|---|----------|
| Bit           | 7           | 6 | 5 | 4 | 3 | 2 | 1 | 0 |          |
| NA (\$F9)     | SCTSTRLL7:0 |   |   |   |   |   |   |   | SCTSTRLL |
| Read/Write    | R           | R | R | R | R | R | R | R |          |
| Initial Value | 0           | 0 | 0 | 0 | 0 | 0 | 0 | 0 |          |

This register contains the least significant byte of the 32 bit Transmit Frame Timestamp Register.

- **Bit 7:0 – SCTSTRLL7:0 - Symbol Counter Transmit Frame Timestamp Register LL-Byte**

#### 10.11.14 SCRSTRHH – Symbol Counter Received Frame Timestamp Register HH-Byte

| Bit           | 7                  | 6 | 5 | 4 | 3 | 2 | 1 | 0 |                 |
|---------------|--------------------|---|---|---|---|---|---|---|-----------------|
| NA (\$DA)     | <b>SCRSTRHH7:0</b> |   |   |   |   |   |   |   | <b>SCRSTRHH</b> |
| Read/Write    | R                  | R | R | R | R | R | R | R |                 |
| Initial Value | 0                  | 0 | 0 | 0 | 0 | 0 | 0 | 0 |                 |

This register contains the most significant byte of the 32 bit Received Frame Timestamp Register. The Received Frame Timestamp Register is updated at the end of the frame reception with the contents of the Frame Timestamp Register (SFD timestamp) if the received frame was valid (FCS ok). If the transceiver auto modes are enabled and address filtering is active, the Received Frame Timestamp is only updated, if there was an address match also.

- **Bit 7:0 – SCRSTRHH7:0 - Symbol Counter Received Frame Timestamp Register HH-Byte**

#### 10.11.15 SCRSTRHL – Symbol Counter Received Frame Timestamp Register HL-Byte

| Bit           | 7                  | 6 | 5 | 4 | 3 | 2 | 1 | 0 |                 |
|---------------|--------------------|---|---|---|---|---|---|---|-----------------|
| NA (\$D9)     | <b>SCRSTRHL7:0</b> |   |   |   |   |   |   |   | <b>SCRSTRHL</b> |
| Read/Write    | R                  | R | R | R | R | R | R | R |                 |
| Initial Value | 0                  | 0 | 0 | 0 | 0 | 0 | 0 | 0 |                 |

This register contains the second most significant byte of the 32 bit Received Frame Timestamp Register.

- **Bit 7:0 – SCRSTRHL7:0 - Symbol Counter Received Frame Timestamp Register HL-Byte**

#### 10.11.16 SCRSTRLH – Symbol Counter Received Frame Timestamp Register LH-Byte

| Bit           | 7                  | 6 | 5 | 4 | 3 | 2 | 1 | 0 |                 |
|---------------|--------------------|---|---|---|---|---|---|---|-----------------|
| NA (\$D8)     | <b>SCRSTRLH7:0</b> |   |   |   |   |   |   |   | <b>SCRSTRLH</b> |
| Read/Write    | R                  | R | R | R | R | R | R | R |                 |
| Initial Value | 0                  | 0 | 0 | 0 | 0 | 0 | 0 | 0 |                 |

This register contains the second least significant byte of the 32 bit Received Frame Timestamp Register.

- **Bit 7:0 – SCRSTRLH7:0 - Symbol Counter Received Frame Timestamp Register LH-Byte**

## 10.11.17 SCRSTRLL – Symbol Counter Received Frame Timestamp Register LL-Byte

|               |             |   |   |   |   |   |   |   |          |
|---------------|-------------|---|---|---|---|---|---|---|----------|
| Bit           | 7           | 6 | 5 | 4 | 3 | 2 | 1 | 0 |          |
| NA (\$D7)     | SCRSTRLL7:0 |   |   |   |   |   |   |   | SCRSTRLL |
| Read/Write    | R           | R | R | R | R | R | R | R |          |
| Initial Value | 0           | 0 | 0 | 0 | 0 | 0 | 0 | 0 |          |

This register contains the least significant byte of the 32 bit Received Frame Timestamp Register.

- **Bit 7:0 – SCRSTRLL7:0 - Symbol Counter Received Frame Timestamp Register LL-Byte**

## 10.11.18 SCBTSRHH – Symbol Counter Beacon Timestamp Register HH-Byte

|               |             |    |    |    |    |    |    |    |          |
|---------------|-------------|----|----|----|----|----|----|----|----------|
| Bit           | 7           | 6  | 5  | 4  | 3  | 2  | 1  | 0  |          |
| NA (\$E8)     | SCBTSRHH7:0 |    |    |    |    |    |    |    | SCBTSRHH |
| Read/Write    | RW          | RW | RW | RW | RW | RW | RW | RW |          |
| Initial Value | 0           | 0  | 0  | 0  | 0  | 0  | 0  | 0  |          |

This register contains the most significant byte of the 32 bit Beacon Timestamp Register. The Beacon Timestamp Register is updated with the contents of the Frame Timestamp Register if the received frame was a valid beacon frame with matching source PAN identifier or register {PAN\_ID\_1, PAN\_ID\_0} = 0xFFFF.

- **Bit 7:0 – SCBTSRHH7:0 - Symbol Counter Beacon Timestamp Register HH-Byte**

## 10.11.19 SCBTSRHL – Symbol Counter Beacon Timestamp Register HL-Byte

|               |             |    |    |    |    |    |    |    |          |
|---------------|-------------|----|----|----|----|----|----|----|----------|
| Bit           | 7           | 6  | 5  | 4  | 3  | 2  | 1  | 0  |          |
| NA (\$E7)     | SCBTSRHL7:0 |    |    |    |    |    |    |    | SCBTSRHL |
| Read/Write    | RW          | RW | RW | RW | RW | RW | RW | RW |          |
| Initial Value | 0           | 0  | 0  | 0  | 0  | 0  | 0  | 0  |          |

This register contains the second most significant byte of the 32 bit Beacon Timestamp Register.

- **Bit 7:0 – SCBTSRHL7:0 - Symbol Counter Beacon Timestamp Register HL-Byte**

## 10.11.20 SCBTSRLH – Symbol Counter Beacon Timestamp Register LH-Byte

|               |             |    |    |    |    |    |    |    |          |
|---------------|-------------|----|----|----|----|----|----|----|----------|
| Bit           | 7           | 6  | 5  | 4  | 3  | 2  | 1  | 0  |          |
| NA (\$E6)     | SCBTSRLH7:0 |    |    |    |    |    |    |    | SCBTSRLH |
| Read/Write    | RW          | RW | RW | RW | RW | RW | RW | RW |          |
| Initial Value | 0           | 0  | 0  | 0  | 0  | 0  | 0  | 0  |          |

This register contains the second least significant byte of the 32 bit Beacon Timestamp Register.

- **Bit 7:0 – SCBTSRLH7:0 - Symbol Counter Beacon Timestamp Register LH-Byte**

### 10.11.21 SCBTSRLL – Symbol Counter Beacon Timestamp Register LL-Byte

|               |                    |    |    |    |    |    |    |    |                 |
|---------------|--------------------|----|----|----|----|----|----|----|-----------------|
| Bit           | 7                  | 6  | 5  | 4  | 3  | 2  | 1  | 0  |                 |
| NA (\$E5)     | <b>SCBTSRLL7:0</b> |    |    |    |    |    |    |    | <b>SCBTSRLL</b> |
| Read/Write    | RW                 | RW | RW | RW | RW | RW | RW | RW |                 |
| Initial Value | 0                  | 0  | 0  | 0  | 0  | 0  | 0  | 0  |                 |

This register contains the least significant byte of the 32 bit Beacon Timestamp Register.

- **Bit 7:0 – SCBTSRLL7:0 - Symbol Counter Beacon Timestamp Register LL-Byte**

### 10.11.22 SCOCR1HH – Symbol Counter Output Compare Register 1 HH-Byte

|               |                    |    |    |    |    |    |    |    |                 |
|---------------|--------------------|----|----|----|----|----|----|----|-----------------|
| Bit           | 7                  | 6  | 5  | 4  | 3  | 2  | 1  | 0  |                 |
| NA (\$F8)     | <b>SCOCR1HH7:0</b> |    |    |    |    |    |    |    | <b>SCOCR1HH</b> |
| Read/Write    | RW                 | RW | RW | RW | RW | RW | RW | RW |                 |
| Initial Value | 0                  | 0  | 0  | 0  | 0  | 0  | 0  | 0  |                 |

This register contains the most significant byte of the 32 bit compare value for the first compare unit

- **Bit 7:0 – SCOCR1HH7:0 - Symbol Counter Output Compare Register 1 HH-Byte**

### 10.11.23 SCOCR1HL – Symbol Counter Output Compare Register 1 HL-Byte

|               |                    |    |    |    |    |    |    |    |                 |
|---------------|--------------------|----|----|----|----|----|----|----|-----------------|
| Bit           | 7                  | 6  | 5  | 4  | 3  | 2  | 1  | 0  |                 |
| NA (\$F7)     | <b>SCOCR1HL7:0</b> |    |    |    |    |    |    |    | <b>SCOCR1HL</b> |
| Read/Write    | RW                 | RW | RW | RW | RW | RW | RW | RW |                 |
| Initial Value | 0                  | 0  | 0  | 0  | 0  | 0  | 0  | 0  |                 |

This register contains the second most significant byte of the 32 bit compare value for the first compare unit

- **Bit 7:0 – SCOCR1HL7:0 - Symbol Counter Output Compare Register 1 HL-Byte**

### 10.11.24 SCOCR1LH – Symbol Counter Output Compare Register 1 LH-Byte

|               |                    |    |    |    |    |    |    |    |                 |
|---------------|--------------------|----|----|----|----|----|----|----|-----------------|
| Bit           | 7                  | 6  | 5  | 4  | 3  | 2  | 1  | 0  |                 |
| NA (\$F6)     | <b>SCOCR1LH7:0</b> |    |    |    |    |    |    |    | <b>SCOCR1LH</b> |
| Read/Write    | RW                 | RW | RW | RW | RW | RW | RW | RW |                 |
| Initial Value | 0                  | 0  | 0  | 0  | 0  | 0  | 0  | 0  |                 |

This register contains the second least significant byte of the 32 bit compare value for the first compare unit

- **Bit 7:0 – SCOCR1LH7:0 - Symbol Counter Output Compare Register 1 LH-Byte**

## 10.11.25 SCOCR1LL – Symbol Counter Output Compare Register 1 LL-Byte

|               |                    |    |    |    |    |    |    |    |                 |
|---------------|--------------------|----|----|----|----|----|----|----|-----------------|
| Bit           | 7                  | 6  | 5  | 4  | 3  | 2  | 1  | 0  |                 |
| NA (\$F5)     | <b>SCOCR1LL7:0</b> |    |    |    |    |    |    |    | <b>SCOCR1LL</b> |
| Read/Write    | RW                 | RW | RW | RW | RW | RW | RW | RW |                 |
| Initial Value | 0                  | 0  | 0  | 0  | 0  | 0  | 0  | 0  |                 |

This register contains the least significant byte of the 32 bit compare value for the first compare unit

- **Bit 7:0 – SCOCR1LL7:0 - Symbol Counter Output Compare Register 1 LL-Byte**

## 10.11.26 SCOCR2HH – Symbol Counter Output Compare Register 2 HH-Byte

|               |                    |    |    |    |    |    |    |    |                 |
|---------------|--------------------|----|----|----|----|----|----|----|-----------------|
| Bit           | 7                  | 6  | 5  | 4  | 3  | 2  | 1  | 0  |                 |
| NA (\$F4)     | <b>SCOCR2HH7:0</b> |    |    |    |    |    |    |    | <b>SCOCR2HH</b> |
| Read/Write    | RW                 | RW | RW | RW | RW | RW | RW | RW |                 |
| Initial Value | 0                  | 0  | 0  | 0  | 0  | 0  | 0  | 0  |                 |

This register contains the most significant byte of the 32 bit compare value for the second compare unit

- **Bit 7:0 – SCOCR2HH7:0 - Symbol Counter Output Compare Register 2 HH-Byte**

## 10.11.27 SCOCR2HL – Symbol Counter Output Compare Register 2 HL-Byte

|               |                    |    |    |    |    |    |    |    |                 |
|---------------|--------------------|----|----|----|----|----|----|----|-----------------|
| Bit           | 7                  | 6  | 5  | 4  | 3  | 2  | 1  | 0  |                 |
| NA (\$F3)     | <b>SCOCR2HL7:0</b> |    |    |    |    |    |    |    | <b>SCOCR2HL</b> |
| Read/Write    | RW                 | RW | RW | RW | RW | RW | RW | RW |                 |
| Initial Value | 0                  | 0  | 0  | 0  | 0  | 0  | 0  | 0  |                 |

This register contains the second most significant byte of the 32 bit compare value for the second compare unit

- **Bit 7:0 – SCOCR2HL7:0 - Symbol Counter Output Compare Register 2 HL-Byte**

## 10.11.28 SCOCR2LH – Symbol Counter Output Compare Register 2 LH-Byte

|               |                    |    |    |    |    |    |    |    |                 |
|---------------|--------------------|----|----|----|----|----|----|----|-----------------|
| Bit           | 7                  | 6  | 5  | 4  | 3  | 2  | 1  | 0  |                 |
| NA (\$F2)     | <b>SCOCR2LH7:0</b> |    |    |    |    |    |    |    | <b>SCOCR2LH</b> |
| Read/Write    | RW                 | RW | RW | RW | RW | RW | RW | RW |                 |
| Initial Value | 0                  | 0  | 0  | 0  | 0  | 0  | 0  | 0  |                 |

This register contains the second least significant byte of the 32 bit compare value for the second compare unit

- **Bit 7:0 – SCOCR2LH7:0 - Symbol Counter Output Compare Register 2 LH-Byte**

### 10.11.29 SCOCR2LL – Symbol Counter Output Compare Register 2 LL-Byte

|               |                    |    |    |    |    |    |    |    |                 |
|---------------|--------------------|----|----|----|----|----|----|----|-----------------|
| Bit           | 7                  | 6  | 5  | 4  | 3  | 2  | 1  | 0  |                 |
| NA (\$F1)     | <b>SCOCR2LL7:0</b> |    |    |    |    |    |    |    | <b>SCOCR2LL</b> |
| Read/Write    | RW                 | RW | RW | RW | RW | RW | RW | RW |                 |
| Initial Value | 0                  | 0  | 0  | 0  | 0  | 0  | 0  | 0  |                 |

This register contains the least significant byte of the 32 bit compare value for the second compare unit

- **Bit 7:0 – SCOCR2LL7:0 - Symbol Counter Output Compare Register 2 LL-Byte**

### 10.11.30 SCOCR3HH – Symbol Counter Output Compare Register 3 HH-Byte

|               |                    |    |    |    |    |    |    |    |                 |
|---------------|--------------------|----|----|----|----|----|----|----|-----------------|
| Bit           | 7                  | 6  | 5  | 4  | 3  | 2  | 1  | 0  |                 |
| NA (\$F0)     | <b>SCOCR3HH7:0</b> |    |    |    |    |    |    |    | <b>SCOCR3HH</b> |
| Read/Write    | RW                 | RW | RW | RW | RW | RW | RW | RW |                 |
| Initial Value | 0                  | 0  | 0  | 0  | 0  | 0  | 0  | 0  |                 |

This register contains the most significant byte of the 32 bit compare value for the third compare unit

- **Bit 7:0 – SCOCR3HH7:0 - Symbol Counter Output Compare Register 3 HH-Byte**

### 10.11.31 SCOCR3HL – Symbol Counter Output Compare Register 3 HL-Byte

|               |                    |    |    |    |    |    |    |    |                 |
|---------------|--------------------|----|----|----|----|----|----|----|-----------------|
| Bit           | 7                  | 6  | 5  | 4  | 3  | 2  | 1  | 0  |                 |
| NA (\$EF)     | <b>SCOCR3HL7:0</b> |    |    |    |    |    |    |    | <b>SCOCR3HL</b> |
| Read/Write    | RW                 | RW | RW | RW | RW | RW | RW | RW |                 |
| Initial Value | 0                  | 0  | 0  | 0  | 0  | 0  | 0  | 0  |                 |

This register contains the second most significant byte of the 32 bit compare value for the third compare unit

- **Bit 7:0 – SCOCR3HL7:0 - Symbol Counter Output Compare Register 3 HL-Byte**

### 10.11.32 SCOCR3LH – Symbol Counter Output Compare Register 3 LH-Byte

|               |                    |    |    |    |    |    |    |    |                 |
|---------------|--------------------|----|----|----|----|----|----|----|-----------------|
| Bit           | 7                  | 6  | 5  | 4  | 3  | 2  | 1  | 0  |                 |
| NA (\$EE)     | <b>SCOCR3LH7:0</b> |    |    |    |    |    |    |    | <b>SCOCR3LH</b> |
| Read/Write    | RW                 | RW | RW | RW | RW | RW | RW | RW |                 |
| Initial Value | 0                  | 0  | 0  | 0  | 0  | 0  | 0  | 0  |                 |



This register contains the second least significant byte of the 32 bit compare value for the third compare unit

- **Bit 7:0 – SCOCR3LH7:0 - Symbol Counter Output Compare Register 3 LH-Byte**

### 10.11.33 SCOCR3LL – Symbol Counter Output Compare Register 3 LL-Byte

|               |                    |    |    |    |    |    |    |    |                 |
|---------------|--------------------|----|----|----|----|----|----|----|-----------------|
| Bit           | 7                  | 6  | 5  | 4  | 3  | 2  | 1  | 0  |                 |
| NA (\$ED)     | <b>SCOCR3LL7:0</b> |    |    |    |    |    |    |    | <b>SCOCR3LL</b> |
| Read/Write    | RW                 | RW | RW | RW | RW | RW | RW | RW |                 |
| Initial Value | 0                  | 0  | 0  | 0  | 0  | 0  | 0  | 0  |                 |

This register contains the least significant byte of the 32 bit compare value for the third compare unit

- **Bit 7:0 – SCOCR3LL7:0 - Symbol Counter Output Compare Register 3 LL-Byte**

### 10.11.34 SCCR0 – Symbol Counter Control Register 0

|               |              |               |             |                |              |               |               |               |              |
|---------------|--------------|---------------|-------------|----------------|--------------|---------------|---------------|---------------|--------------|
| Bit           | 7            | 6             | 5           | 4              | 3            | 2             | 1             | 0             |              |
| NA (\$DC)     | <b>SCRES</b> | <b>SCMBTS</b> | <b>SCEN</b> | <b>SCCKSEL</b> | <b>SCTSE</b> | <b>SCCMP3</b> | <b>SCCMP2</b> | <b>SCCMP1</b> | <b>SCCR0</b> |
| Read/Write    | RW           | RW            | RW          | RW             | RW           | RW            | RW            | RW            |              |
| Initial Value | 0            | 0             | 0           | 0              | 0            | 0             | 0             | 0             |              |

The Control Register 0 is used to setup the operating mode of the symbol counter and the compare units

- **Bit 7 – SCRES - Symbol Counter Synchronization**

If this bit is set to 1, the 16 MHz clock prescaler as well as the backoff slot counter is cleared. This function can be used to align the symbol timing within one 16 μs symbol period and to restart the backoff slot counter with a complete 320 μs period. This feature works only if the symbol counter module operates with the 16 MHz clock from XTAL1. After switching to RTC clock source, the symbol period synchronization is lost. This bit is cleared automatically.

- **Bit 6 – SCMBTS - Manual Beacon Timestamp**

With this bit a manual beacon timestamp can be generated. If set to 1, the current symbol counter value is stored into the beacon timestamp register. The bit is cleared afterwards. The manual beacon timestamping can be used in conjunction with the relative compare mode of the three compare units to generate compare match interrupts without having a beacon frame received.

- **Bit 5 – SCEN - Symbol Counter enable**

This bit activates the symbol counter module. If the bit is not set, the counter, backoff slot counter and the compare unit are disabled and disconnected from the clock. In this way the power consumption can be reduced. All registers can be accessed, but write access to the counter register SCCNT is not possible.

- **Bit 4 – SCCKSEL - Symbol Counter Clock Source select**

With this bit the clock source for the symbol counter can be selected. If the bit is one, the RTC clock from TOSC1 is selected, otherwise the symbol counter operates with the clock from XTAL1. During transceiver sleep modes the clock falls back to the RTC clock

source, regardless of the selected clock. After wakeup, it switches back to the previously selected clock source.

- **Bit 3 – SCTSE - Symbol Counter Automatic Timestamping enable**

This bit enables automatic SFD and Beacon Timestamping. If the bit is zero, no automatic timestamp capturing is possible. Only manual beacon timestamping can be used.

- **Bit 2 – SCCMP3 - Symbol Counter Compare Unit 3 Mode select**

This bit enables the relative compare mode for compare unit 3. If enabled, the counter value is compared against the content of the timestamp register selected in Compare Source Register SCCSR select bits SCCS3 plus the content of the compare register 3 (SCCNT == timestamp+SCOCR3). Otherwise, the counter is compared against the compare register 3 (SCCNT == SCOCR3).

- **Bit 1 – SCCMP2 - Symbol Counter Compare Unit 2 Mode select**

This bit enables the relative compare mode for compare unit 2. If enabled, the counter value is compared against the content of the timestamp register selected in Compare Source Register SCCSR select bits SCCS2 plus the content of the compare register 2 (SCCNT == timestamp+SCOCR2). Otherwise, the counter is compared against the compare register 2 (SCCNT == SCOCR2).

- **Bit 0 – SCCMP1 - Symbol Counter Compare Unit 1 Mode select**

This bit enables the relative compare mode for compare unit 1. If enabled, the counter value is compared against the content of the timestamp register selected in Compare Source Register SCCSR select bits SCCS1 plus the content of the compare register 1 (SCCNT == timestamp+SCOCR1). Otherwise, the counter is compared against the compare register 1 (SCCNT == SCOCR1).

### 10.11.35 SCCR1 – Symbol Counter Control Register 1

|               |                 |                 |                |                 |              |
|---------------|-----------------|-----------------|----------------|-----------------|--------------|
| Bit           | 7               | 6               | 5              | 4               |              |
| NA (\$DD)     | <b>Res6</b>     | <b>Res5</b>     | <b>SCBTSM</b>  | <b>SCCKDIV2</b> | <b>SCCR1</b> |
| Read/Write    | R               | R               | RW             | RW              |              |
| Initial Value | 0               | 0               | 0              | 0               |              |
| Bit           | 3               | 2               | 1              | 0               |              |
| NA (\$DD)     | <b>SCCKDIV1</b> | <b>SCCKDIV0</b> | <b>SCEECLK</b> | <b>SCENBO</b>   | <b>SCCR1</b> |
| Read/Write    | RW              | RW              | RW             | RW              |              |
| Initial Value | 0               | 0               | 0              | 0               |              |

This register is used to enable the backoff slot counter.

- **Bit 7:6 – Res6:5 - Reserved Bit**

This bit is reserved for future use. The result of a read access is undefined. The register bit must always be written with the reset value.

- **Bit 5 – SCBTSM - Symbol Counter Beacon Timestamp Mask Register**

This bit must be set to disable automatic beacon timestamping. All other timestamps as well as manual beacon timestamping is not effected by this setting.

- **Bit 4:2 – SCCKDIV2:0 - Clock divider for synchronous clock source (16MHz Transceiver Clock)**

The 3 Bit value controls the symbol counter clock prescaler. The input clock to the prescaler is the 16MHz transceiver clock. The different prescaler values are defined in the table below. The default prescaler setting is 62.5kHz. If the transceiver clock is selected, the counter continues on the RTC time base during sleep mode, regardless of the SCKDIV setting.

**Table 10-83 SCKDIV Register Bits**

| Register Bits | Value | Description                                 |
|---------------|-------|---|
| SCKDIV2:0     | 0     | Transceiver Clock divided by 256, (62.5kHz) |
|               | 1     | Transceiver Clock divided by 128, (125kHz)  |
|               | 2     | Transceiver Clock divided by 64, (250kHz)   |
|               | 3     | Transceiver Clock divided by 32, (500kHz)   |
|               | 4     | Transceiver Clock divided by 16, (1MHz)     |
|               | 5     | Transceiver Clock divided by 8, (2MHz)      |
|               | 6     | Transceiver Clock divided by 4, (4MHz)      |

- **Bit 1 – SCEECLK - Enable External Clock Source on PG2**

If this bit is set, a asynchronous clock provided on PG2 can be used to run the symbol counter. SCEECLK overrides SCKSEL and forces the selection of the external clock source. The clock source on PG2 can have a maximum frequency of 1/4 of the controller clock speed. If selected, the clock on PG2 is used during sleep mode also.

- **Bit 0 – SCENBO - Backoff Slot Counter enable**

If this bit is set, the backoff slot counter starts working. To enable the corresponding IRQ the SCIRQM register must be updated.

### 10.11.36 SCSR – Symbol Counter Status Register

| Bit           | 7           | 6           | 5           | 4           | 3           | 2           | 1           | 0            |             |
|---------------|-------------|-------------|-------------|-------------|-------------|-------------|-------------|--------------|-------------|
| NA (\$DE)     | <b>Res6</b> | <b>Res5</b> | <b>Res4</b> | <b>Res3</b> | <b>Res2</b> | <b>Res1</b> | <b>Res0</b> | <b>SCBSY</b> | <b>SCSR</b> |
| Read/Write    | R           | R           | R           | R           | R           | R           | R           | R            |             |
| Initial Value | 0           | 0           | 0           | 0           | 0           | 0           | 0           | 0            |             |

- **Bit 7:1 – Res6:0 - Reserved Bit**

This bit is reserved for future use. The result of a read access is undefined. The register bit must always be written with the reset value.

- **Bit 0 – SCBSY - Symbol Counter busy**

This bit is set if a write operation to the symbol counter register is pending. This bit is set after writing the counter low byte (SCCNTLL) until the symbol counter is updated with the new value. This update process can take up to 16  $\mu$ s and during this time no read or write access to the 32 bit counter register should occur.

### 10.11.37 SCIRQS – Symbol Counter Interrupt Status Register

| Bit           | 7           | 6           | 5           | 4             | 3             | 2              | 1              | 0              |               |
|---------------|-------------|-------------|-------------|---------------|---------------|----------------|----------------|----------------|---------------|
| NA (\$E0)     | <b>Res2</b> | <b>Res1</b> | <b>Res0</b> | <b>IRQSBO</b> | <b>IRQSOF</b> | <b>IRQSCP3</b> | <b>IRQSCP2</b> | <b>IRQSCP1</b> | <b>SCIRQS</b> |
| Read/Write    | R           | R           | R           | RW            | RW            | RW             | RW             | RW             |               |
| Initial Value | 0           | 0           | 0           | 0             | 0             | 0              | 0              | 0              |               |

The Interrupt Status Register indicates pending interrupt requests. If the corresponding interrupt mask bit is set, an interrupt service routine is called and the status bit is cleared automatically. It is also possible to clear the status bit by writing "1" to the selected bit.

- **Bit 7:5 – Res2:0 - Reserved Bit**

This bit is reserved for future use. The result of a read access is undefined. The register bit must always be written with the reset value.

- **Bit 4 – IRQSBO - Backoff Slot Counter IRQ**

This interrupt is generated every 320 μs, that means every 20 symbols.

- **Bit 3 – IRQSOF - Symbol Counter Overflow IRQ**

This interrupt is generated when the 32 bit counter turns from 0xFFFFFFFF to 0x00000000.

- **Bit 2 – IRQSCP3 - Compare Unit 3 Compare Match IRQ**

This interrupt indicates a compare match on compare unit 3.

- **Bit 1 – IRQSCP2 - Compare Unit 2 Compare Match IRQ**

This interrupt indicates a compare match on compare unit 2.

- **Bit 0 – IRQSCP1 - Compare Unit 1 Compare Match IRQ**

This interrupt indicates a compare match on compare unit 1.

### 10.11.38 SCIRQM – Symbol Counter Interrupt Mask Register

| Bit           | 7           | 6           | 5           | 4             | 3             | 2              | 1              | 0              |        |
|---------------|-------------|-------------|-------------|---------------|---------------|----------------|----------------|----------------|--------|
| NA (\$DF)     | <b>Res2</b> | <b>Res1</b> | <b>Res0</b> | <b>IRQMBO</b> | <b>IRQMOF</b> | <b>IRQMCP3</b> | <b>IRQMCP2</b> | <b>IRQMCP1</b> | SCIRQM |
| Read/Write    | R           | R           | R           | RW            | RW            | RW             | RW             | RW             |        |
| Initial Value | 0           | 0           | 0           | 0             | 0             | 0              | 0              | 0              |        |

The Interrupt Mask Register is used to enable corresponding interrupts. After reset all interrupts are disabled. Disabled interrupts are still captured in the interrupt status register SCIRQS, but no interrupt is requested. Before enabling an interrupt, the corresponding interrupt status bit should be cleared by writing a 1. If the status bit is set and the IRQ gets enabled, the IRQ handler is called immediately.

- **Bit 7:5 – Res2:0 - Reserved Bit**

This bit is reserved for future use. The result of a read access is undefined. The register bit must always be written with the reset value.

- **Bit 4 – IRQMBO - Backoff Slot Counter IRQ enable**

This bit enables the SCNT\_BACKOFF interrupt.

- **Bit 3 – IRQMOF - Symbol Counter Overflow IRQ enable**

This bit enables the SCNT\_OVFL interrupt.

- **Bit 2 – IRQMCP3 - Symbol Counter Compare Match 3 IRQ enable**

This bit enables the SCNT\_CMP3 interrupt.

- **Bit 1 – IRQMCP2 - Symbol Counter Compare Match 2 IRQ enable**

This bit enables the SCNT\_CMP2 interrupt.

- **Bit 0 – IRQMCP1 - Symbol Counter Compare Match 1 IRQ enable**  
This bit enables the SCNT\_CMP1 interrupt.

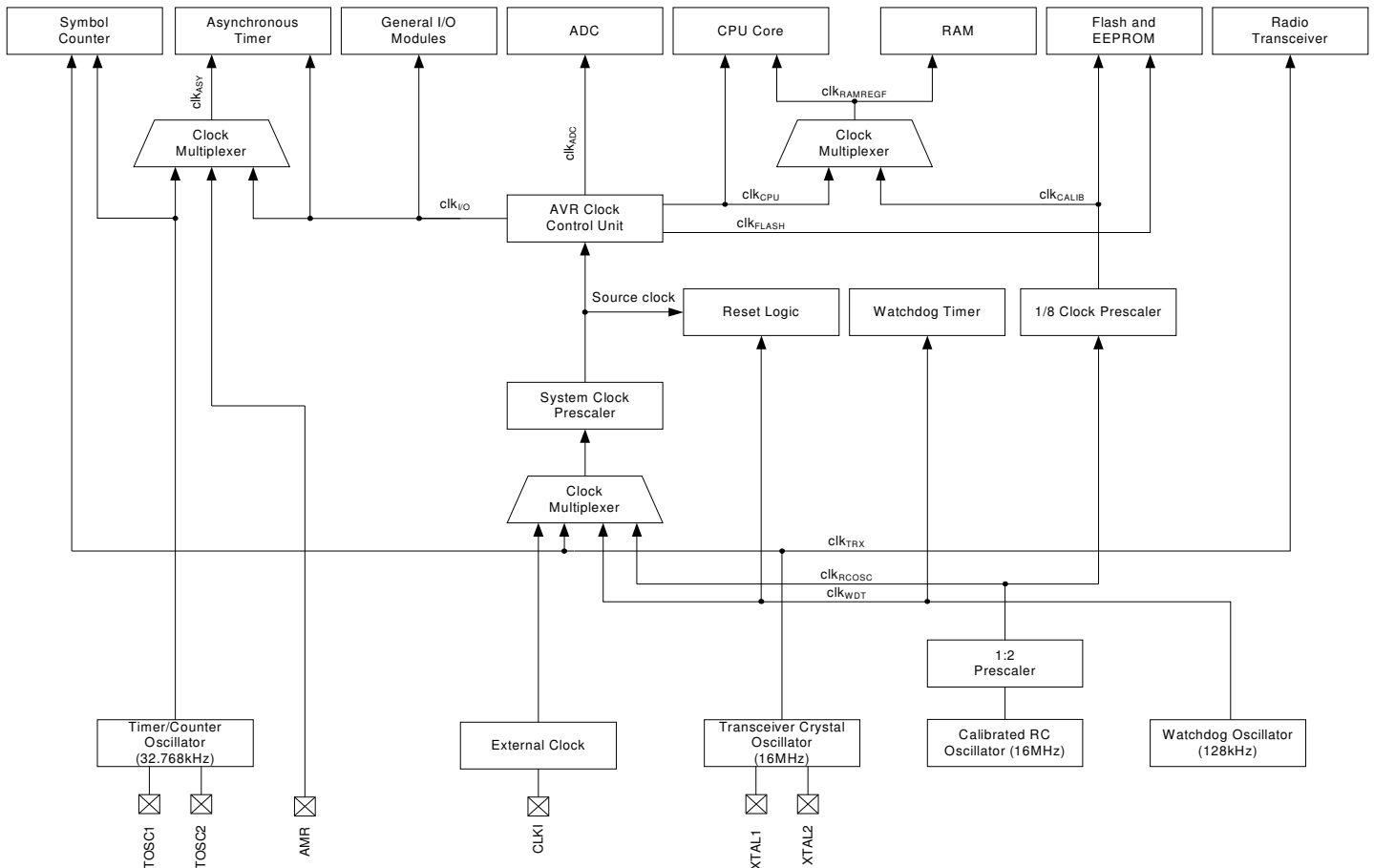
## 11 System Clock and Clock Options

This section describes the clock options for the AVR microcontroller.

### 11.1 Overview

Figure 11-1 below presents the principal clock systems in the AVR and their distribution. All of the clocks need not be active at a given time. In order to reduce power consumption, the clocks to modules not being used can be halted by using different sleep modes, as described in chapter "Power Management and Sleep Modes" on page 183. The clock systems are detailed below.

Figure 11-1. Clock Distribution



### 11.2 Clock Systems and their Distribution

The AVR Clock Control Unit distributes the pre-scaled system clock to the various functional blocks of the device. The radio transceiver always runs with the 16 MHz crystal oscillator clock.

#### 11.2.1 CPU Clock – $clk_{CPU}$

The CPU clock is routed to parts of the system concerned with operation of the AVR core. Examples of such modules are the General Purpose Register File, the Status Register and the data memory holding the Stack Pointer. Halting the CPU clock inhibits the core from performing general operations and calculations.

## 11.2.2 I/O Clock – $clk_{I/O}$

The I/O clock is used by the majority of the I/O modules, like Timer/Counters, SPI, and USART. The I/O clock is also used by the External Interrupt module, but note that some external interrupts are detected by asynchronous logic, allowing such interrupts to be detected even if the I/O clock is halted. Also note that start condition detection in the 2-wire serial interface (TWI) module is carried out asynchronously when  $clk_{I/O}$  is halted. Similar the TWI address recognition in all sleep modes also occurs asynchronously.

## 11.2.3 Flash Clock – $clk_{FLASH}$

The Flash clock controls operation of the Flash interface. The Flash clock is usually active simultaneously with the CPU clock.

## 11.2.4 Asynchronous Timer Clock – $clk_{ASY}$

The Asynchronous Timer clock allows the Asynchronous Timer/Counter to be clocked directly from an external clock or an external 32 kHz clock crystal. The dedicated clock domain allows using this Timer/Counter as a real-time counter even if the device is in sleep mode.

## 11.2.5 ADC Clock – $clk_{ADC}$

The ADC is provided with a dedicated clock domain. This allows halting the CPU and I/O clocks in order to reduce noise generated by digital circuitry. This gives more accurate ADC conversion results.

## 11.3 Clock Sources

The device has the following clock source options, selectable by Flash Fuse bits as shown below. The clock from the selected source is input to the AVR clock generator, and routed to the appropriate modules.

**Table 11-1. Device Clocking Options Select<sup>(1)</sup>**

| Device Clocking Option            | CKSEL3:0    |
|-----------------------------------|-------------|
| Transceiver clock                 | 1111 – 0110 |
| Reserved                          | 0101 - 0100 |
| Internal 128 kHz RC Oscillator    | 0011        |
| Calibrated Internal RC Oscillator | 0010        |
| External Clock                    | 0000        |
| Reserved                          | 0001        |

Notes: 1. For all fuses “1” means unprogrammed while “0” means programmed.

### 11.3.1 Default Clock Source

The device is shipped with internal RC oscillator at 16.0 MHz, the 1:2 prescaler enabled and with the fuse CKDIV8 programmed, resulting in 1.0 MHz system clock. The startup time is set to maximum time. (CKSEL = "0010", SUT = "10", CKDIV8 = "0"). The default setting ensures that all users can make their desired clock source setting using any available programming interface.

### 11.3.2 Clock Start-up Sequence

Any clock source needs a minimum number of oscillating cycles before it can be considered stable.

To ensure sufficient startup time, the device issues an internal reset with a time-out delay ( $t_{TOUT}$ ) after the device reset is released by all other reset sources. Section ["Power-on Reset" on page 208](#) describes the start conditions for the internal reset. The delay ( $t_{TOUT}$ ) is timed from the Watchdog Oscillator and the number of cycles in the delay is set by the SUTx and CKSELx fuse bits. The selectable delays are shown in [Table 11-2 below](#). The frequency of the Watchdog Oscillator is voltage dependent as shown in section ["Typical Characteristics" on page 564](#).

**Table 11-2.** Number of Watchdog Oscillator Cycles

| Typ Time-out | Number of Cycles |
|--------------|------------------|
| 0 ms         | 0                |
| 4.0 ms       | 512              |
| 64 ms        | 8K (8,192)       |

Main purpose of the delay is to keep the AVR in reset until it is supplied with a stable  $V_{DEVDD}$ . The delay will not monitor the actual voltage and it will be required to select a delay longer than the DEVDD rise time. If this is not possible, an internal or external Brown-Out Detection (BOD) circuit should be used. A BOD circuit will ensure sufficient  $V_{DEVDD}$  before it releases the reset, and the time-out delay can be disabled. Disabling the time-out delay without utilizing a Brown-Out Detection circuit is not recommended.

The oscillator is required to oscillate for a minimum number of cycles before the clock is considered stable. An internal ripple counter monitors the oscillator output clock, and keeps the internal reset active for a given number of clock cycles. The reset is then released and the device will start to execute. The recommended oscillator start-up time is dependent on the clock type, and varies from 6 cycles for an externally applied clock to 32K cycles for a low frequency crystal.

The start-up sequence for the clock includes both the time-out delay and the start-up time when the device starts up from reset. When starting up from Power-save or Power-down mode, DEVDD is assumed to be at a sufficient level and only the start-up time is included.

## 11.4 Calibrated Internal RC Oscillator

By default, the Internal RC Oscillator provides an approximate 16 MHz clock. The RC oscillator is voltage and temperature dependent, but can be very accurately calibrated by the user. See chapter ["Clock Characteristics" on page 552](#) and ["Internal Oscillator Speed" on page 587](#) for more details. The device is shipped with the CKDIV8 Fuse and the 1:2 system clock prescaler programmed. See section ["System Clock Prescaler" on page 179](#) for more details.

This clock may be selected as the system clock by programming the CKSEL Fuses as shown in [Table 11-3 on page 177](#). If selected, it will operate with no external components. During reset, hardware loads the pre-programmed calibration value into the OSCCAL Register and thereby automatically calibrates the RC Oscillator. The accuracy of this calibration is shown as Factory calibration in section ["Clock Characteristics" on page 552](#).

By changing the OSCCAL register (see ["OSCCAL – Oscillator Calibration Value" on page 180](#)) from Software, it is possible to get a higher calibration accuracy than by using the factory calibration. The accuracy of this calibration is shown as User calibration in section ["Clock Characteristics" on page 552](#).



When this Oscillator is used as the chip clock, the Watchdog Oscillator will still be used for the Watchdog Timer and for the Reset Time-out. For more information on the pre-programmed calibration value, see the section ["Calibration Byte" on page 505](#).

**Table 11-3.** Internal Calibrated RC Oscillator Operating Modes<sup>(1)(2)</sup>

| Frequency Range (MHz) | CKSEL3:0 |
|-----------------------|----------|
| 9.6 ... 22.4          | 0010     |

Notes: 2. The device is shipped with this option selected.

When this Oscillator is selected, start-up times are determined by the SUT Fuses as shown in the following table.

**Table 11-4.** Start-up times for the internal calibrated RC Oscillator clock selection

| Power Conditions    | Start-up Time from Power-down and Power-save | Additional Delay from Reset | SUT1:0 |
|---------------------|--|-----------------------------|--------|
| BOD enabled         | 6 CK   | 14CK                        | 00     |
| Fast rising power   | 6 CK   | 14CK + 4.0 ms               | 01     |
| Slowly rising power | 6 CK   | 14CK + 64 ms <sup>(1)</sup> | 10     |
| Reserved            |  |                             | 11     |

Notes: 1. The device is shipped with this option selected

## 11.5 128 kHz Internal Oscillator

The 128 kHz Internal Oscillator is an ultra-low power RC oscillator providing a clock of approximate 128 kHz nominal frequency. This clock may be selected as the system clock by programming the CKSEL Fuses to "0011" as shown in the following table.

**Table 11-5.** 128 kHz Internal Oscillator Operating Modes<sup>(1)</sup>

| Nominal Frequency | CKSEL3:0 |
|-------------------|----------|
| 128 kHz           | 0011     |

Notes: 1. Note that the 128 kHz oscillator is a very low power clock source, and is not designed for high accuracy

When this clock source is selected, start-up times are determined by the SUT Fuses as shown in the following table.

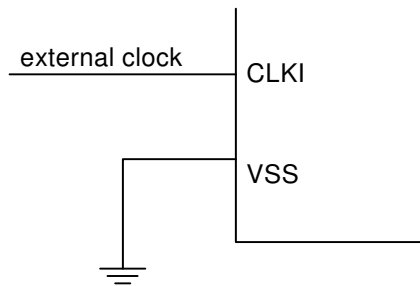
**Table 11-6.** Start-up Times for the 128 kHz Internal Oscillator

| Power Conditions    | Start-up Time from Power-down and Power-save | Additional Delay from Reset | SUT1:0 |
|---------------------|--|-----------------------------|--------|
| BOD enabled         | 6 CK   | 14CK                        | 00     |
| Fast rising power   | 6 CK   | 14CK + 4.1 ms               | 01     |
| Slowly rising power | 6 CK   | 14CK + 64 ms                | 10     |
| Reserved            |  |                             | 11     |

## 11.6 External Clock

To drive the device from an external clock source, CLKI should be used as shown in [Figure 11-2 on page 178](#). To run the device on an external clock, the CKSEL Fuses must be programmed to "0000".

**Figure 11-2.** External Clock Drive Configuration



When this clock source is selected, start-up times are determined by the SUT Fuses as shown in [Table 11-8 below](#).

**Table 11-7.** External Clock Frequency

| Nominal Frequency | CKSEL3:0 |
|-------------------|----------|
| 0 – 16 MHz        | 0000     |

**Table 11-8.** Start-up Times for the External Clock Selection

| Power Conditions    | Start-up Time from Power-down and Power-save | Additional Delay from Reset | SUT1:0 |
|---------------------|--|-----------------------------|--------|
| BOD enabled         | 6 CK   | 14 CK                       | 00     |
| Fast rising power   | 6 CK   | 14 CK + 4.0 ms              | 01     |
| Slowly rising power | 6 CK   | 14 CK + 64 ms               | 10     |
| Reserved            |  |                             | 11     |

When applying an external clock, it is required to avoid sudden changes in the applied clock frequency to ensure stable operation of the microcontroller unit (MCU). A variation in frequency of more than 2% from one clock cycle to the next can lead to unpredictable behavior. If changes of more than 2% are required, ensure that the MCU is kept in Reset during the changes.

Note that the System Clock Prescaler can be used to implement run-time changes of the internal clock frequency while still ensuring stable operation. Refer to section ["System Clock Prescaler"](#) on page 179 for details.

## 11.7 Transceiver Crystal Oscillator

The integrated crystal oscillator for the radio transceiver generates a low-jitter 16MHz clock frequency. See section ["Crystal Oscillator \(XOSC\)"](#) on page 86 for details about the operation of this oscillator. The AVR core and the radio transceiver operate synchronously on the same clock if this oscillator is selected. If the transceiver crystal oscillator is selected as AVR core clock, it remains enabled even if the radio transceiver is in SLEEP mode or its power reduction bit PRTRX24 is set.

**Table 11-9.** Transceiver Crystal Clock Operating Mode

| Frequency Range (MHz) | CKSEL3:0 <sup>(1)</sup> |
|-----------------------|-------------------------|
| 16                    | 1111 - 0110             |

Notes: 1. All CKSEL fuse values have the same significance.

**Table 11-10.** Start-up Times for the Transceiver Oscillator Clock Selection

| Power Conditions    | Start-up Time from Power-down and Power-save | Additional Delay from Reset | CKSELO | SUT1:0 |
|---------------------|--|-----------------------------|--------|--------|
| fast rising power   | 258 CK                                       | 14CK + 4.1 ms               | 0      | 00     |
| slowly rising power | 258 CK                                       | 14CK + 65 ms                | 0      | 01     |
| BOD enabled         | 1K CK  | 14CK + 0 ms                 | 0      | 10     |
| fast rising power   | 1K CK  | 14CK + 4.1 ms               | 0      | 11     |
| slowly rising power | 1K CK  | 14CK + 65 ms                | 1      | 00     |
| BOD enabled         | 16K CK                                       | 14CK + 0 ms                 | 1      | 01     |
| fast rising power   | 16K CK                                       | 14CK + 4.1 ms               | 1      | 10     |
| slowly rising power | 16K CK                                       | 14CK + 65 ms                | 1      | 11     |

## 11.8 Clock Output Buffer

The device can output the system clock on the CLKO pin. To enable the output, the CKOUT Fuse has to be programmed. This mode is suitable when the chip clock is used to drive other circuits on the system. The clock also will be output during reset, and the normal operation of I/O pin will be overridden when the fuse is programmed. Any clock source, including the internal RC Oscillator, can be selected when the clock is output on CLKO. If the System Clock Prescaler is used, it is the divided system clock that is output.

Special attention is required to prevent unwanted radiation from the connected PCB clock trace. Proper filtering can help to suppress higher harmonics.

## 11.9 Timer/Counter Oscillator

The device can operate the Timer/Counter2 as well as the MAC Symbol Counter from the 32.768 kHz crystal oscillator or an external clock source. See section "[Application Circuits](#)" on page 538 for the watch crystal connection and the asynchronous control register "[ASSR – Asynchronous Status Register](#)" on page 358 to get the 32.768 kHz crystal oscillator enabled by the control bit AS2.

## 11.10 System Clock Prescaler

The ATmega2564/1284/644RFR2 has a system clock prescaler, and the system clock can be divided by setting the "CLKPR – Clock Prescale Register". This feature can be used to decrease the system clock frequency and the power consumption when the requirement for processing power is low. This can be used with all clock source options, and it will affect the clock frequency of the CPU and all synchronous peripherals. The clocks  $clk_{I/O}$ ,  $clk_{ADC}$ ,  $clk_{CPU}$ , and  $clk_{FLASH}$  are divided by a factor as shown in [CLKPR – Clock Prescale Register on page 181](#).

The prescaler clock division factor of the internal RC-Oscillator is different from all other clock sources, see register description [CLKPR – Clock Prescale Register on page 181](#)

Flash, EEPROM, Fuse- and Lock-bit programming is not allowed while using RC-Oscillator with  $CLKPS=0xF$  ( $clk_{CPU} = 16MHz$ ).

When switching between prescaler settings, the System Clock Prescaler ensures that no glitches occur in the clock system. It also ensures that no intermediate frequency is higher than neither the clock frequency corresponding to the previous setting nor the clock frequency corresponding to the new setting.

The prescaler is implemented as a ripple counter running at the frequency of the undivided clock, which may be faster than the CPU's clock frequency. Hence, it is not possible to determine the state of the prescaler - even if it were readable. The exact time it takes to switch from one clock division to another cannot be exactly predicted. From the time the CLKPS values are written, it takes between  $t_1 + t_2$  and  $t_1 + 2t_2$  before the new clock frequency is active. In this interval 2 active clock edges are produced. Here  $t_1$  is the previous clock period and  $t_2$  is the clock period corresponding to the new prescaler setting.

To avoid unintentional changes of clock frequency, a special write procedure must be followed to change the CLKPS bits:

1. Write the Clock Prescaler Change Enable (CLKPCE) bit to one and all other bits in CLKPR to zero.
2. Within four cycles, write the desired value to CLKPS while writing a zero to CLKPCE.

Interrupts must be disabled when changing prescaler settings to make sure the write procedure is not interrupted.

It is not required to change the prescaler setting of an existing software package written for an 8MHz internal RC oscillator. The change of the prescaler (additional 1:2 divider) is compensated by doubling the RC oscillator frequency of the ATmega2564/1284/644RFR2.

## 11.11 Register Description

### 11.11.1 OSCCAL – Oscillator Calibration Value

|               |             |             |             |             |             |             |             |             |        |
|---------------|-------------|-------------|-------------|-------------|-------------|-------------|-------------|-------------|--------|
| Bit           | 7           | 6           | 5           | 4           | 3           | 2           | 1           | 0           |        |
| NA (\$66)     | <b>CAL7</b> | <b>CAL6</b> | <b>CAL5</b> | <b>CAL4</b> | <b>CAL3</b> | <b>CAL2</b> | <b>CAL1</b> | <b>CAL0</b> | OSCCAL |
| Read/Write    | R/W         | R/W         | R/W         | R/W         | R/W         | R/W         | R/W         | R/W         |        |
| Initial Value | 0           | 0           | 0           | 0           | 0           | 0           | 0           | 0           |        |

The Oscillator Calibration Register is used to trim the Calibrated Internal RC Oscillator to remove process variations from the oscillator frequency. A preprogrammed calibration value is automatically written to this register during chip reset, giving the Factory calibrated frequency. The application software can write this register to change the oscillator frequency. The oscillator can be calibrated to frequencies as specified in the section "Electrical Characteristics". Calibration outside that range is not guaranteed. Note that this oscillator is used to time EEPROM and Flash write accesses and these write times will be affected accordingly. The calibration to very high frequencies can cause EEPROM or Flash erase/write failures. The CAL7 bit determines the range of operation for the oscillator. Setting this bit to 0 gives the lowest frequency range, setting this bit to 1 gives the highest frequency range. The two frequency ranges are overlapping, in other words a setting of OSCCAL = 0x7F gives a higher frequency than OSCCAL = 0x80. The CAL6..0 bits are used to tune the frequency within the selected range. A setting of 0x00 gives the lowest frequency in that range, and a setting of 0x7F gives the highest frequency in the range.

- **Bit 7:0 – CAL7:0 - Oscillator Calibration Tuning Value**

**Table 11-11** CAL Register Bits

| Register Bits | Value | Description                                       |
|---------------|-------|---|
| CAL7:0        | 0x00  | Calibration value for lowest oscillator frequency |

| Register Bits | Value | Description  |
|---------------|-------|--|
|               | 0x7f  | End value of low frequency range calibration       |
|               | 0x80  | Start value of high frequency range calibration    |
|               | 0xff  | Calibration value for highest oscillator frequency |

## 11.11.2 CLKPR – Clock Prescale Register

| Bit           | 7             | 6           | 5           | 4           | 3             | 2             | 1             | 0             |       |
|---------------|---------------|-------------|-------------|-------------|---------------|---------------|---------------|---------------|-------|
| NA (\$61)     | <b>CLKPCE</b> | <b>Res2</b> | <b>Res1</b> | <b>Res0</b> | <b>CLKPS3</b> | <b>CLKPS2</b> | <b>CLKPS1</b> | <b>CLKPS0</b> | CLKPR |
| Read/Write    | RW            | R           | R           | R           | RW            | RW            | RW            | RW            |       |
| Initial Value | 0             | 0           | 0           | 0           | 0             | 0             | 0             | 0             |       |

- **Bit 7 – CLKPCE - Clock Prescaler Change Enable**

The CLKPCE bit must be written to logic one to enable change of the CLKPS bits. The CLKPCE bit is only updated when the other bits in CLKPR are simultaneously written to zero. CLKPCE is cleared by hardware four cycles after it is written or when CLKPS bits are written. Rewriting the CLKPCE bit within this time-out period does neither extend the time-out period, nor clear the CLKPCE bit.

- **Bit 6:4 – Res2:0 - Reserved**

- **Bit 3:0 – CLKPS3:0 - Clock Prescaler Select Bits**

These bits define the division factor between the selected clock source and the internal system clock. These bits can be written run-time to vary the clock frequency to suit the application requirements. As the divider divides the master clock input to the MCU, the speed of all synchronous peripherals is reduced when a division factor is used. The division factors are given in the following table. Note that the factor is different when using the internal 16MHz RC oscillator as the clock source. The CKDIV8 Fuse determines the initial value of the CLKPS bits. If CKDIV8 is not programmed, the CLKPS bits will be reset to 0000. If CKDIV8 is programmed, CLKPS bits are reset to 0011 giving a division factor of 8 at start up. This feature should be used if the selected clock source has a higher frequency than the maximum frequency of the device at the present operating conditions. Note that any value can be written to the CLKPS bits regardless of the CKDIV8 Fuse setting. The Application software must ensure that a sufficient division factor is chosen if the selected clock source has a higher frequency than the maximum frequency of the device at the present operating conditions. The device is shipped with the CKDIV8 Fuse programmed.

**Table 11-12** CLKPS Register Bits

| Register Bits | Value | Description                             |
|---------------|-------|---|
| CLKPS3:0      | 0x0   | Division factor 1 / RC-Oscillator 2     |
|               | 0x1   | Division factor 2 / RC-Oscillator 4     |
|               | 0x2   | Division factor 4 / RC-Oscillator 8     |
|               | 0x3   | Division factor 8 / RC-Oscillator 16    |
|               | 0x4   | Division factor 16 / RC-Oscillator 32   |
|               | 0x5   | Division factor 32 / RC-Oscillator 64   |
|               | 0x6   | Division factor 64 / RC-Oscillator 128  |
|               | 0x7   | Division factor 128 / RC-Oscillator 256 |

| Register Bits | Value | Description  |
|---------------|-------|--|
|               | 0x8   | Division factor 256 / RC-Oscillator 512  |
|               | 0x9   | Reserved   |
|               | 0xA   | Reserved   |
|               | 0xB   | Reserved   |
|               | 0xC   | Reserved   |
|               | 0xD   | Reserved   |
|               | 0xE   | Reserved   |
|               | 0xF   | Division factor 1 only permitted for RC-Oscillator. Flash and EEPROM programming is not allowed. |

## 12 Power Management and Sleep Modes

Sleep modes enable the application to shut down unused modules in the MCU, thereby saving power. The AVR microcontroller and the RF transceiver provide various sleep modes allowing the user to tailor the power consumption to the application's requirements.

### 12.1 Deep-Sleep Mode

When the microcontroller goes into Power-down or Power-save modes while the transceiver is in SLEEP state the device enters the Deep-Sleep mode.

Sending the microcontroller to Power-down or Power-save is not allowed during the wake-up phase of the transceiver. The TRX24\_AWAKE interrupt shall be used to wait for the transceiver is operational.

The DVDD voltage regulator and the associated power chain will be switched off. Remaining running logic will then be supplied from the Low Leakage Voltage Regulator. Even the AVDD regulator will be switched off. See chapter "Radio Transceiver" on page 188 how to disable the radio transceiver.

Before entering Deep-Sleep mode the automatic calibration of the Low Leakage Voltage Regulator must be completed. This automatic calibration can be temporarily disabled for very short wake-up times. For details see "Low Leakage Voltage Regulator (LLVREG)" on page 192.

The SRAM blocks use the data retention mode to preserve its content while saving leakage power. The Low Leakage Voltage Regulator has only limited driving capabilities, see section "Supply Voltage and Leakage Control" on page 189 for details. Therefore the remaining running logic must be clocked with low frequencies only.

The Deep-Sleep mode can be finished by a wake-up source shown by the Table 12-1 on page 184. Then DVDD voltage regulator and the associated power chain will be switched on. If the power-chain is completely enabled the standard AVR wake-up procedure continues (for details see chapter "Power-chain" on page 189).

Note that the wake-up time from Deep-sleep mode is significantly longer than the wake-up time from the Power-down or Power-save mode because the entire power-chain will be restarted.

Additionally note that if the ADC is enabled and/or running a conversion, while entering Deep-sleep mode, the ADC supply voltage is switched off. Therefore the ADC must be disabled before entering Deep-sleep mode to avoid an undefined ADC operation.

If Timer/Counter 2 is not operated asynchronously (i.e., AS2 in ASSR is 0), the timer is kept running in all sleep modes (see chapter Power-save Mode on page 186). This implies the main oscillator (as selected by the fuse configuration) is kept running. The power chain remains enabled and the device does not enter the Deep-Sleep mode.

#### Assembly Code Example

```

...
ldi r16, (1<<SLPTR)
sts TRXPR, r16 ; disable transceiver
ldi r16, (2<<SM0) + (1<<SE) ; select power down mode
out SMCR, r16 ; enable sleep mode
sleep ; go to deep sleep
...

```

## C Code Example<sup>(1)</sup>

```
#include <avr/sleep.h>

int main(void)
{
    ...
    TRXPR = 1 << SLPTR;           // sent transceiver to sleep
    set_sleep_mode(SLEEP_MODE_PWR_DOWN); // select power down mode
    sleep_enable();
    sleep_cpu();                 // go to deep sleep
    sleep_disable();            // executed after wake-up
    ...
}
```

Notes: 1. See also section "About Code Examples" on page 8.

The C-source code example uses high level functions from the library. Deep-Sleep mode will not be entered during on-chip debug sessions. Refer to section "Transceiver Pin Register TRXPR" on page 35 for a description of the functionality of the SLPTR bit.

## 12.2 AVR Microcontroller Sleep Modes

In chapter "System Clock and Clock Options" on page 174 the different clock systems in the ATmega2564/1284/644RFR2, and their distribution were presented. Figure 11-1 on page 174 is helpful in selecting an appropriate sleep mode. The following table shows the different sleep modes and their wake-up sources.

**Table 12-1.** Active Clock Domains and Wake-up Sources in the Different Sleep Modes

| Sleep Mode             | Active Clock Domains |          |       |        |                  | Oscillators               |                          | Wake-up Sources       |                   |                  |                  |     |               |           |                  |                  |
|------------------------|----------------------|----------|-------|--------|------------------|---------------------------|--------------------------|-----------------------|-------------------|------------------|------------------|-----|---------------|-----------|------------------|------------------|
|                        | clkCPU               | clkFLASH | clkIO | clkADC | clkASY           | Main Clock-source Enabled | Timer Oscillator Enabled | INT7:0 and Pin Change | TWI Address Match | Timer/Counter2   | SPM/EEPROM Ready | ADC | WDT Interrupt | Other I/O | Symbol Counter   | Transceiver      |
| Idle                   |                      |          | X     | X      | X                | X                         | X <sup>(2)</sup>         | X                     | X                 | X                | X                | X   | X             | X         | X <sup>(4)</sup> | X <sup>(4)</sup> |
| ADCNRM                 |                      |          |       | X      | X                | X                         | X <sup>(2)</sup>         | X <sup>(3)</sup>      | X                 | X <sup>(2)</sup> | X                | X   | X             |           | X <sup>(4)</sup> | X <sup>(4)</sup> |
| Power-down             |                      |          |       |        |                  |                           |                          | X <sup>(3)</sup>      | X                 |                  |                  |     | X             |           | X <sup>(4)</sup> | X <sup>(4)</sup> |
| Power-save             |                      |          |       |        | X                |                           | X <sup>(2)</sup>         | X <sup>(3)</sup>      | X                 | X                |                  |     | X             |           | X <sup>(4)</sup> | X <sup>(4)</sup> |
| Standby <sup>(1)</sup> |                      |          |       |        |                  | X                         |                          | X <sup>(3)</sup>      | X                 |                  |                  |     | X             |           | X <sup>(4)</sup> | X <sup>(4)</sup> |
| Extended Standby       |                      |          |       |        | X <sup>(2)</sup> | X                         | X <sup>(2)</sup>         | X <sup>(3)</sup>      | X                 | X                |                  |     | X             |           | X <sup>(4)</sup> | X <sup>(4)</sup> |

- Notes:
1. Only recommended with external crystal or resonator selected as clock source.
  2. If Timer/Counter2 is running in asynchronous mode.
  3. For INT7:4, only level interrupt.
  4. The Symbol Counter and/or the Transceiver can wakeup the AVR if the Transceiver Oscillator is enabled (Transceiver not in SLEEP).



To enter any of the sleep modes, the SE bit in the SMCR register (see ["SMCR – Sleep Mode Control Register" on page 194](#)) must be written to logic one and a SLEEP instruction must be executed. The SM2, SM1, and SM0 bits in the SMCR Register select which sleep mode will be activated by the SLEEP instruction. See chapter ["Register Description" on page 194](#) for a summary.

If an enabled interrupt occurs while the MCU is in a sleep mode, the MCU wakes up. The MCU is then halted for four cycles in addition to the start-up time, executes the interrupt routine, and resumes execution from the instruction following SLEEP. The contents of the Register File and SRAM are unaltered when the device wakes up from sleep. Note that SRAM data retention must be enabled in some sleep modes to preserve the memory contents (see section ["SRAM with Data Retention" on page 191](#)). If a reset occurs during sleep mode, the MCU wakes up and executes from the Reset Vector.

## 12.2.1 Idle Mode

When the SM2:0 bits are written to 000 in the SMCR register, the SLEEP instruction makes the MCU enter Idle mode, stopping the CPU but allowing the SPI, USART, Analog Comparator, ADC, 2-wire Serial Interface, Timer/Counters, Watchdog, and the interrupt system to continue operating. This sleep mode basically halts  $clk_{CPU}$  and  $clk_{FLASH}$ , while allowing the other clocks to run.

Idle mode enables the MCU to wake up from external triggered interrupts as well as internal ones like the Timer Overflow and USART Transmit Complete interrupts. If wake-up from the Analog Comparator interrupt is not required, the Analog Comparator can be powered down by setting the ACD bit in the Analog Comparator Control and Status Register – ACSR. This will reduce power consumption in Idle mode. If the ADC is enabled, a conversion starts automatically when this mode is entered.

## 12.2.2 ADC Noise Reduction Mode

When the SM2:0 bits are written to 001, the SLEEP instruction makes the MCU enter ADC Noise Reduction mode (ADCNRM), stopping the CPU but allowing the ADC, the external interrupts, 2-wire Serial Interface address match, Timer/Counter2 and the Watchdog to continue operating (if enabled). This sleep mode basically halts  $clk_{I/O}$ ,  $clk_{CPU}$ , and  $clk_{FLASH}$ , while allowing the other clocks to run.

This improves the noise environment for the ADC, enabling higher resolution measurements. If the ADC is enabled, a conversion starts automatically when this mode is entered. Apart from the ADC Conversion Complete interrupt, only an External Reset, a Watchdog System Reset, a Watchdog interrupt, a Brown-out Reset, a 2-wire serial interface interrupt, a Timer/Counter2 interrupt, an SPM/EEPROM ready interrupt, an external level interrupt on INT7:4 or a pin change interrupt can wake up the MCU from ADC Noise Reduction mode.

## 12.2.3 Power-down Mode

When the SM2:0 bits are written to 010, the SLEEP instruction makes the MCU enter Power-down mode. In this mode, the 16 MHz crystal oscillator is stopped (if selected by CKSEL fuses), while the external interrupts, the 2-wire Serial Interface, and the Watchdog continue operating (if enabled). Only an External Reset, a Watchdog Reset, a Brown-out Reset, 2-wire Serial Interface address match, an external level interrupt on INT7:4, an external interrupt on INT3:0, a pin change interrupt, or a symbol counter interrupt can wake up the MCU. This sleep mode basically halts all generated clocks, allowing operation of asynchronous modules only.

Note that if a level triggered interrupt is used for wake-up from Power-down mode, the changed level must be held for some time to wake up the MCU. Refer to section ["External Interrupts" on page 248](#) for details.

When waking up from Power-down mode, there is a delay from the wake-up condition occurs until the wake-up becomes effective. This allows the clock to restart and become stable after have been stopped. The wake-up period is defined by the same CKSEL Fuses that define the Reset Time-out period, as described in chapter ["System Clock and Clock Options" on page 174](#).

## 12.2.4 Power-save Mode

When the SM2:0 bits are written to 011, the SLEEP instruction makes the MCU enter Power-save mode. This mode is identical to Power-down, with one exception:

If Timer/Counter2 is enabled, it will keep running during sleep. The device can wake up from either Timer Overflow or Output Compare event from Timer/Counter2 if the corresponding Timer/Counter2 interrupt enable bits are set in TIMSK2, and the Global Interrupt Enable bit in SREG is set. If Timer/Counter2 is not running, Power-down mode is recommended instead of Power-save mode.

The Timer/Counter2 can be clocked both synchronously and asynchronously in Power-save mode. If the Timer/Counter2 is not using the asynchronous clock, the Timer/Counter Oscillator is stopped during sleep. If the Timer/Counter2 is not using the synchronous clock, the clock source is stopped during sleep. Note that even if the synchronous clock is running in Power-save, this clock is only available for the Timer/Counter2. Timer/Counter2 operation is described in detail in section ["8-bit Timer/Counter2 with PWM and Asynchronous Operation" on page 339](#).

## 12.2.5 Standby Mode

When the SM2:0 bits are 110 and the crystal oscillator of the radio transceiver is selected, the SLEEP instruction makes the MCU enter Standby mode. This mode is identical to Power-down with the exception that the Oscillator is kept running. From Standby mode, the device wakes up in six clock cycles.

## 12.2.6 Extended Standby Mode

When the SM2:0 bits are 111 and the crystal oscillator of the radio transceiver is selected, the SLEEP instruction makes the MCU enter Extended Standby mode. This mode is identical to Power-save mode with the exception that the oscillator is kept running. From Extended Standby mode, the device wakes up in six clock cycles.

## 12.3 Power Reduction Register

The Power Reduction Register (PRR), see ["PRR0 – Power Reduction Register0" on page 195](#), ["PRR1 – Power Reduction Register 1" on page 196](#) and ["PRR2 – Power Reduction Register 2" on page 197](#), provide a method to stop the clock to individual peripherals to reduce power consumption.

Note that when the clock for a peripheral is stopped, then:

- The current state of the peripheral is frozen.
- The associated registers can not be read or written.
- Resources used by the peripheral (e.g. IO pins) will remain occupied.

The peripheral unit should in most cases be disabled before stopping the clock. Waking up a module, which is done by clearing the bit in PRR, puts the module in the same state as before the shutdown. Exceptions are the SRAM blocks and the radio

transceiver. The SRAM is shut down by a DRT switch and the radio transceiver is in reset state if its respective power reduction bit is set.

Module shutdown can be used in Idle mode and Active mode to significantly reduce the overall power consumption. See chapter ["Typical Characteristics" on page 564](#) for examples. In all other sleep modes, the clock is already stopped.

## 12.4 Minimizing Power Consumption

There are several issues to consider when trying minimizing the power consumption in an AVR controlled system. In general, sleep modes should be used as much as possible, and the sleep mode should be selected so that as few as possible of the device's functions are operating. All functions not needed should be disabled. In particular, the following modules may need special consideration when trying to achieve the lowest possible power consumption.

### 12.4.1 Analog to Digital Converter

If enabled, the ADC will be enabled in all sleep modes. To save power, the ADC should be disabled before entering any sleep mode. Refer to chapter ["ADC – Analog to Digital Converter" on page 442](#) for details on ADC operation.

### 12.4.2 Analog Comparator

When entering Idle mode, the Analog Comparator should be disabled if not used. When entering ADC Noise Reduction mode the Analog Comparator should also be disabled. In other sleep modes, the Analog Comparator is automatically disabled. However, if the Analog Comparator is set up to use the Internal Voltage Reference as input, the Analog Comparator should be disabled in all sleep modes. Otherwise, the Internal Voltage Reference will be enabled, independent of sleep mode. Refer to ["AC – Analog Comparator" on page 438](#) for details on how to configure the Analog Comparator.

### 12.4.3 Brown-out Detector

If the Brown-out Detector is enabled by the BODLEVEL Fuses, it will be disabled in Deep-sleep mode. Refer to ["Brown-out Detection" on page 209](#) for details on how to configure the Brown-out Detector. It is recommended to enable the Brown-out Detector.

### 12.4.4 Internal Voltage Reference

The Internal Voltage Reference will be enabled when needed by the Brown-out Detection, the Analog Comparator or the ADC. If these modules are disabled as described in the sections above, the internal voltage reference will be disabled and not consume power. When turned on again, the user must allow the reference to start up before the output is used. If the reference is kept on in sleep mode, the output can be used immediately. Refer to ["Internal Voltage Reference" on page 210](#) for details on the start-up time.

### 12.4.5 Watchdog Timer

If the Watchdog Timer is not needed in the application, the module should be turned off. If the Watchdog Timer is enabled, it will be enabled in all sleep modes, and hence, always consume power. In the deeper sleep modes, this will contribute significantly to the total current consumption. Refer to ["Watchdog Timer" on page 211](#) for details on how to configure the Watchdog Timer.

### 12.4.6 Port Pins

When entering a sleep mode, all port pins should be configured to use minimum power. The most important is then to ensure that no pins drive resistive loads. In sleep modes where both the I/O clock ( $clk_{I/O}$ ) and the ADC clock ( $clk_{ADC}$ ) are stopped, the input buffers of the device will be disabled. This ensures that no power is consumed by the input logic when not needed. In some cases, the input logic is needed for detecting wake-up conditions, and it will then be enabled. Refer to the section "[I/O-Ports](#)" on [page 217](#) for details on which pins are enabled. If the input buffer is enabled and the input signal is left floating or have an analog signal level close to  $DEVDD/2$ , the input buffer will use excessive power.

For analog input pins, the digital input buffer should be disabled at all times. An analog signal level close to  $DEVDD/2$  on an input pin can cause significant current even in active mode. Digital input buffers can be disabled by writing to the Digital Input Disable Registers DIDR1 and DIDR0. Refer to "[DIDR1 – Digital Input Disable Register 1](#)" on [page 440](#) and "[DIDR0 – Digital Input Disable Register 0](#)" on [page 467](#) for details.

### 12.4.7 On-chip Debug System

If the On-chip debug system is enabled by the OCDEN Fuse and the chip enters sleep mode, the main clock source is enabled, and hence, always consumes power. In the deeper sleep modes, this will contribute significantly to the total current consumption. There are three alternative ways to disable the OCD system:

- Disable the OCDEN Fuse.
- Disable the JTAGEN Fuse.
- Write one to the JTD bit in MCUCR.

### 12.4.8 Symbol Counter

The Symbol Counter acts as a separate counter, which uses either the 16MHz clock from XTAL1/XTAL2 crystal pins or the clock from PG3/PG4 low frequency crystal pins. If the Symbol Counter module is not used, it should be disabled, see section "[MAC Symbol Counter](#)" on [page 155](#).

### 12.4.9 Radio Transceiver

The radio transceiver module is automatically starting its state machine after power on. While the CPU is in any sleep mode, the radio transceiver remains active. This enables the radio transceiver to wakeup the MCU if a pending action is over (frame received or transmission completed). The radio transceiver will be inactive during sleep, if either the its power reduction bit PRTRX24 in register PRR1 is set or it is send into SLEEP mode, see "[PRR1 – Power Reduction Register 1](#)" on [page 196](#) for details. After reactivation the 16MHz crystal oscillator is started first and afterwards the radio transceiver with TRX\_OFF state.

The radio transceiver is derived from a stand alone solution that was partly controlled by external pins. Now the radio transceiver is fully controlled by individual register bits.

The radio transceiver has a separate reset signal. A radio transceiver reset is initiated by setting bit TRXRST in register TRXPR. This bit is self-resetting.

The radio transceiver signal SLPTR can be controlled by the bit SLPTR in register TRXPR and is used to set the radio transceiver into SLEEP mode (assuming TRX\_STATE is TRX\_OFF). This bit has a multiple function, see section "[Low-Power 2.4 GHz Transceiver](#)" on [page 32](#) for a detailed description of the radio transceiver.

## 12.5 Supply Voltage and Leakage Control

For battery applications using DEEP\_SLEEP periods, the leakage current defines the system life time. Due to the typical strong temperature dependency of the leakage current, major contributors to the leakage budget are turned off:

- Analog and digital voltage regulator,
- Non-volatile memory (NVM),
- SRAM,
- Digital signal processor of the radio transceiver including AES engine.

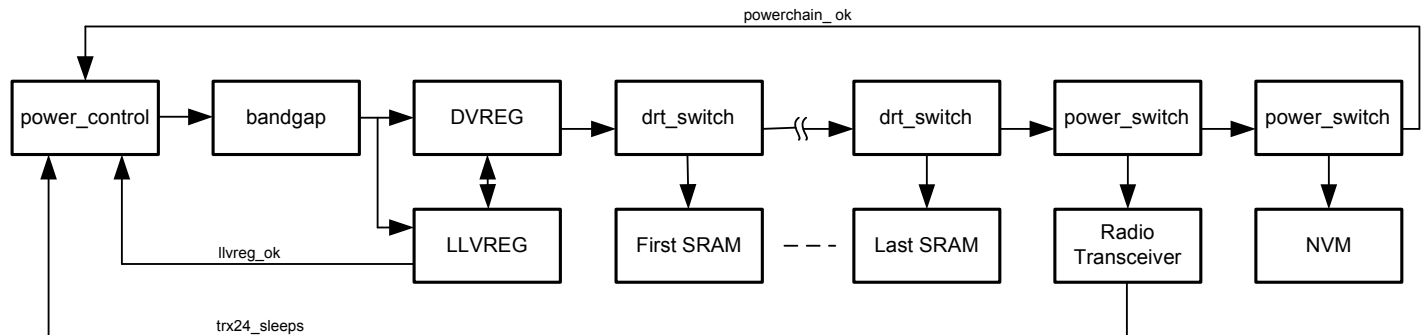
If the CPU uses one of the sleep modes “power-down” or “power-save”, the above mentioned blocks will be switched off by power switches. When the CPU wakes up, the blocks are switched on again. There are some additional exceptions (internal voltage regulator, SRAM, radio transceiver), see section “Power-chain” below .

The supply voltage control is mainly hidden to the application, it is not necessary to configure the supply voltage control. Nevertheless some configurations can be done in order to get the maximum effect and the lowest sleep current, for details see section “SRAM with Data Retention” on page 191.

### 12.5.1 Power-chain

The following figure shows the major dependencies of the power-chain and how the power switches are situated inside the chain.

Figure 12-1. Power-chain connections



#### Startup and Wakeup from DEEP\_SLEEP

After power-on reset (POR) or wakeup from DEEP\_SLEEP the power switches of the blocks will be enabled one after another (power-chained) to decrease current peaks. The blocks will be enabled in the following order:

1. Bandgap reference and voltage regulator,
2. Digital voltage regulator (DVREG) and low leakage voltage regulator (LLVREG),
3. first SRAM block (lower 4k bytes),
4. last SRAM block (upper 4k bytes),
5. Radio transceiver including AES engine,
6. Non-volatile memory.

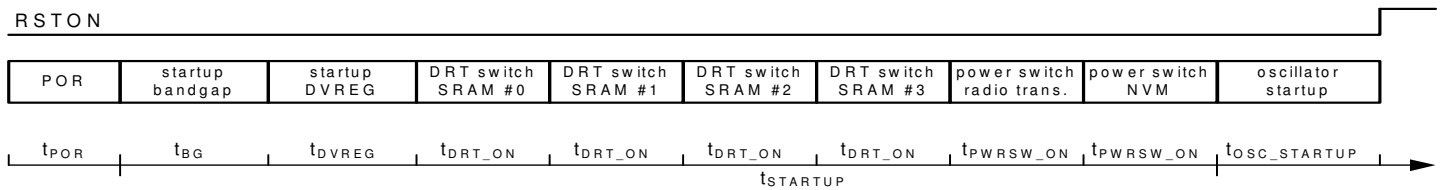
If the power-chain is completely enabled the standard AVR wake-up procedure continues.

Figure 12-2 shows the chained startup procedure after power up. The Figure 12-3 shows the startup from DEEP\_SLEEP. A module is only switched on if it is not deselected by power reduction register (PRR1 or PRR2). This is possible for SRAM blocks and radio transceiver power switch. At the end of the startup, the pin RSTON is enabled. Depending of the currently enabled memory blocks ( $N_{SRAM}$ ), the startup procedure takes different time.

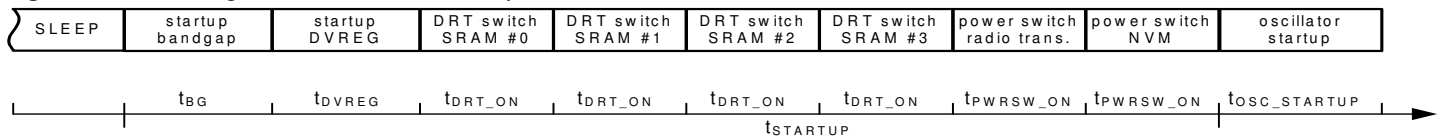
$$t_{STARTUP\_TOTAL} = t_{BG} + t_{DVREG} + N_{SRAM} \cdot t_{DRT\_ON} + 3 \cdot t_{PWRSW\_ON} + t_{OSC\_STARTUP}$$

The SRAM is organized in 4kByte blocks, the NVM in 128kByte blocks. Deselected SRAM blocks (by PRR2 register) reduce the wakeup time from DEEP\_SLEEP. For further timing information see "Power Management Electrical Characteristics" on page 554.

**Figure 12-2.** Timing visualization of power up



**Figure 12-3.** Timing visualization of wakeup from DEEP\_SLEEP



### Sleep

Six sleep modes are defined for the CPU. Disabling the power-chain and thus switching off of the above mentioned blocks makes only sense for the modes "power-down" and "power-save". Also an enabled radio transceiver prevents the power-chain from being disabled.

In order to disable the power-chain, one of the following conditions must fit:

- The radio transceiver has to be disabled (power reduction register PRR1 bit PRTRX24).
- The radio transceiver is sent into SLEEP mode (register TRXPR bit SLPTR).

The SRAM blocks may be configured separately to decrease their leakage current (see section "SRAM with Data Retention" on page 191).

The following table shows the different implemented sleep modes and the behavior of the power-chain depending on the current state of the radio transceiver.

**Table 12-2. Power states of microcontroller and radio transceiver**

| AVR State                | Radio Transceiver State        | Powerchain |
|--------------------------|--------------------------------|------------|
| ON                       | ON                             | ON         |
| ON                       | off (SLEEP or power reduction) | ON         |
| off <sup>(1...6)</sup>   | ON                             | ON         |
| off <sup>(1,4...6)</sup> | off (SLEEP or power reduction) | ON         |

| AVR State                          | Radio Transceiver State        | Powerchain         |
|------------------------------------|--------------------------------|--------------------|
| off <sup>(2,3)</sup><br>DEEP SLEEP | off (SLEEP or power reduction) | off <sup>(7)</sup> |

- Notes:
1. Idle
  2. Power Down
  3. Power Save
  4. ADC Noise Reduction Mode
  5. Standby
  6. Extended Standby
  7. If the OCDEN fuse is programmed, the Power-chain is always on

## 12.5.2 SRAM with Data Retention

It is necessary to prevent any data loss of the SRAM when setting the CPU in one of the DEEP\_SLEEP modes. For that purpose the SRAM blocks will not be completely switched off if the power-chain is disabled. The supply voltage for any individual SRAM block is decreased to reduce its leakage current but guaranteeing its data retention.

The SRAM memory is divided into 4kByte blocks. Each block can be fully switched off by setting the correspondent bit (PRRAM0 ... PRRAM3) in register PRR2 (see "[PRR2 – Power Reduction Register 2](#)" on page 197). This enables the application software to switch off unused SRAM memory to save power and to reduce leakage currents.

Every SRAM block can be enabled again by resetting the respective bit (PRRAM0 ... PRRAM3) of register PRR2. For each SRAM block  $n$  the bit DRTSWOK of the corresponding register DRTRAM $n$  shows the state of the DRT switch (logic high means SRAM block can be accessed).

If the power-chain is switched off during deep-sleep modes, the content of the SRAM blocks must be sustained. To provide data retention and lowest leakage current, a data retention block controls the SRAM behavior during deep-sleep. Since the leakage current is dramatically depending from the voltage of the SRAM, the supply voltage can be decreased by enabling the data retention mode DRT.

Every SRAM block  $n$  is controlled by its assigned register DRTRAM $n$ . The bit ENDRT enables the data retention mode during deep-sleep. If this bit is zero, the respective SRAM block is completely switched off.

**Table 12-3. SRAM behavior while in deep-sleep mode**

| ENDRT | Power-chain | SRAM supply voltage |
|-------|-------------|---------------------|
| 1     | ON          | 1.8V (DVDD)         |
| 0     | ON          | 1.8V (DVDD)         |
| 1     | off         | Reduced             |
| 0     | off         | Disconnected        |

The lower 4-bit of the register DRTRAM $n$  are reserved and should not be changed. The reset value of the DRT voltage settings are preprogrammed during the manufacturing process and need not to be changed.

## 12.5.3 Voltage Regulators (AVREG, DVREG)

The main features of the Voltage Regulator blocks are:

- Bandgap stabilized 1.8V supply for analog and digital domain;
- Low dropout (LDO) voltage regulator;

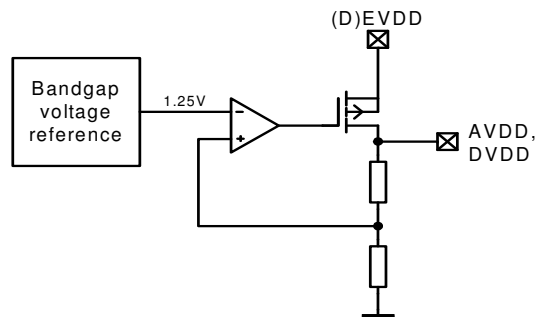


- Configurable to use an external voltage regulator;

The internal voltage regulators supply a stabilized voltage to the ATmega2564/1284/644RFR2. The AVREG provides the regulated 1.8V supply voltage for the analog section and the DVREG supplies the 1.8V supply voltage for the digital section. The DVREG is enabled during startup and is switched off if the power-chain is disabled. The AVREG is enabled only on request by either the A/D converter or the radio transceiver.

A simplified schematic of the internal voltage regulator is shown in [Figure 12-4 below](#).

**Figure 12-4.** Simplified Schematic of AVREG/DVREG



The voltage regulators require bypass capacitors for stable operation. The value of the bypass capacitors determines their settling time. The bypass capacitors shall be placed as close as possible to the pins and shall be connected to ground with the shortest possible traces.

The voltage regulators can be configured with the register VREG\_CTRL. It is recommended to use the internal regulators but it is also possible to supply the low voltage domains by an external voltage supply. For this configuration the internal analog voltage regulator needs to be switched off by setting the register bit AVREG\_EXT = 1 (see "[VREG\\_CTRL – Voltage Regulator Control and Status Register](#)" on page 127). The internal digital voltage regulator may not be switched off, an external voltage has to overdrive the internal voltage. A regulated external supply voltage of 1.8V must then be connected to the pins 13, 14 (DVDD) and pin 29 (AVDD). When turning on the external supply ensure a sufficiently long stabilization time before interacting with the ATmega2564/1284/644RFR2.

The status bits AVDD\_OK = 1 and DVDD\_OK = 1 of register VREG\_CTRL indicate an enabled and stable internal supply voltage. Reading value 0 indicates that the internal supply voltage is disabled or not yet settled to the final value.

In case the ATmega2564/1284/644RFR2 is not supplied with a sufficient (D)EVDD and the digital voltage regulator output voltage is too low, a power on reset (POR) is initiated.

## 12.5.4 Low Leakage Voltage Regulator (LLVREG)

The main digital voltage regulator (DVREG) will be switched off during the DEEP\_SLEEP modes "power-down" and "power-save". The Low Leakage Voltage Regulator will then keep the digital supply voltage to provide data retention. No application software control is required.

During the active power states, when the main voltage regulator supplies the chip, the Low Leakage Voltage Regulator is digitally calibrated. Its output voltage is adjusted to



match the output voltage of the main regulator. This fixed calibration result is stored and used when the chip enters a power-down state where the main regulator is switched off.

Because the calibration setting is fixed, temperature and load current variations during the following DEEP\_SLEEP period are not regulated out. Thus the output voltage may drift away from the target value. However the design guarantees that for allowed operating conditions the output voltage will stay within valid limits. After every wake-up a new calibration cycle is initiated.

The output driving capability of the Low Leakage Voltage Regulator is limited. Its main purpose is to provide the leakage current of the connected analog and digital blocks.

At least one full calibration cycle of the Low Leakage Voltage Regulator has to be completed before the power-chain can be disabled. Therefore if the CPU uses one of the DEEP\_SLEEP modes “power down” or “power save”, the power-chain is not disabled before the Low Leakage Voltage Regulator completed this first calibration cycle.

By default the LLVREG automatically starts the calibration after finishing the power-on reset and the wake-up/start-up procedures (see section ["Low Leakage Voltage Regulator Control"](#) below for a detailed description of the Low Leakage Voltage Regulator).

Notes:

1. The LLVREG calibration will be inaccurate at a DEVDD supply voltage of 1.8V or lower. Therefore when operating the device at 1.8V the LLVREG calibration should be disabled and the register values of LLDRL and LLDRH should be set to 0x06 and 0x0f, respectively.
2. When waking up from Deep Sleep mode the LLVREG calibration starts after 4 clock cycles of the 128 kHz oscillator. If the device goes to sleep again earlier then the old calibration values will be used.

## 12.5.5 Low Leakage Voltage Regulator Control

The three register LLCR, LLDRL and LLDRH allow the software to monitor the calibration process and to modify or correct the calibration results. The automatic calibration is the normal operation mode. It is an internal process that does not require any software interaction. Nevertheless the calibration is transparent for the user through LLCR, LLDRL and LLDRH (control and data register respectively).

The register access requires a minimum system clock of at least the output frequency of the 128 kHz RC oscillator. The register access will not work if the system clock is slower. See chapter ["System Clock and Clock Options"](#) on page 174 for details on how to set the system clock frequency.

Before the device can enter the sleep mode “power down” or “power save” the first calibration cycle of the Low Leakage Voltage Regulator must be completed to get valid data in LLDRL and LLDRH. The cycle time  $t_{CAL}$  (see [Table 35-28 on page 555](#)) is not fixed. It depends on the temperature, manufacturing process and the frequency of the 128 kHz RC oscillator (independent of the Watchdog setting).

Systems that require very short power-up times may temporarily disable the calibration process by setting bit LLENCAL to 0. After disabling the calibration the register values read from LLCR, LLDRL and LLDRH will be stable after at most five 64 kHz clock cycles (clock output of the 128 kHz RC oscillator divided by 2).

The output voltage of the Low Leakage Voltage Regulator in sleep mode will be the most accurate if constantly calibrated to compensate for any environmental changes (e.g. temperature). However these changes may be slow enough to skip the calibration

during some power-up cycles (e.g. calibrate only every 10<sup>th</sup> power-up time and use the old calibration results during all other times).

After the completion of the power-up process the calibration will start automatically if bit LLENCAL in the control register LLCR is 1 (default). The completion of a calibration cycle is indicated by the bit LLDONE in that same register. After the first cycle the calibration will continue to run until either the device goes into a sleep mode (“power down” or “power save”) or by setting the LLENCAL bit to 0. The output voltage of the Low Leakage Voltage Regulator is then defined by the values in the data register LLDRL and LLDRH and by the bits LLTCO and LLSHORT of the control register.

Write access to the three register is granted when the bit LLENCAL is set to 0. The application software can then modify the calibration results. Higher values in the data register generate lower output voltages in the sleep modes. In general it is not recommended nor required to alter the automatically generated calibration result.

The write access to the three register must follow a certain scheme to be successful. The registers are implemented in the I/O clock domain while the logic of the Low Leakage Voltage Regulator runs with 64 kHz (clock output of the 128 kHz RC oscillator divided by 2). It takes at least two 64 kHz clock cycles before the data written to the register take effect in the regulator circuit. The write access from the software must be aware of this process. Furthermore the value of LLDRH must be written first followed by LLDRL. Otherwise the LLDRH write access will be ignored. The following Assembler code fragment shows a working example. Note the polling of bit 3 LLCAL of the LLCR register to verify the completion of the synchronization process.

| Assembly Code Example  |  |
|--|--|
| ...  |  |
| <code>clr r20</code>   |  |
| <code>sts LLDRH,r18 ; write LLDRH first</code>                             |  |
| <code>sts LLDRL,r19 ; write LLDRL second</code>                            |  |
| <code>sts LLCR,r20 ; bit 0 cleared = disable automatic calibration</code>  |  |
| <code>; poll LLCAL bit of LLCR to check if automatic calibration is</code> |  |
| <code>; turned of</code>   |  |
| <code>wait_calib:</code>   |  |
| <code>lds r20,LLCR</code>  |  |
| <code>sbrc r20,3</code>  |  |
| <code>rjmp wait_calib ; not executed if bit 3 of LLCR is cleared</code>    |  |
| ...  |  |

## 12.6 Register Description

### 12.6.1 SMCR – Sleep Mode Control Register

| Bit           | 7           | 6           | 5           | 4           | 3          | 2          | 1          | 0         |      |
|---------------|-------------|-------------|-------------|-------------|------------|------------|------------|-----------|------|
| \$33 (\$53)   | <b>Res3</b> | <b>Res2</b> | <b>Res1</b> | <b>Res0</b> | <b>SM2</b> | <b>SM1</b> | <b>SM0</b> | <b>SE</b> | SMCR |
| Read/Write    | R           | R           | R           | R           | RW         | RW         | RW         | RW        |      |
| Initial Value | 0           | 0           | 0           | 0           | 0          | 0          | 0          | 0         |      |

The Sleep Mode Control Register contains control bits for power management.

- **Bit 7:4 – Res3:0 - Reserved**
- **Bit 3:1 – SM2:0 - Sleep Mode Select bit 2**

These bits select between the five available sleep modes. Standby modes are only recommended for use with external crystals or resonators.

**Table 12-103 SM Register Bits**

| Register Bits | Value | Description                        |
|---------------|-------|------------------------------------|
| SM2:0         | 0x00  | Idle                               |
|               | 0x01  | ADC Noise Reduction (If Available) |
|               | 0x02  | Power Down                         |
|               | 0x03  | Power Save                         |
|               | 0x04  | Reserved                           |
|               | 0x05  | Reserved                           |
|               | 0x06  | Standby                            |
|               | 0x07  | Extended Standby                   |

- **Bit 0 – SE - Sleep Enable**

The SE bit must be written to logic one to make the MCU enter the sleep mode when the SLEEP instruction is executed. To avoid the MCU entering the sleep mode unless it is the programmers purpose, it is recommended to write the Sleep Enable (SE) bit to one just before the execution of the SLEEP instruction and to clear it immediately after waking up.

## 12.6.2 PRR0 – Power Reduction Register0

| Bit           | 7            | 6             | 5             | 4            | 3             | 2            | 1               | 0            |             |
|---------------|--------------|---------------|---------------|--------------|---------------|--------------|-----------------|--------------|-------------|
| NA (\$64)     | <b>PRTWI</b> | <b>PRTIM2</b> | <b>PRTIM0</b> | <b>PRPGA</b> | <b>PRTIM1</b> | <b>PRSPI</b> | <b>PRUSART0</b> | <b>PRADC</b> | <b>PRR0</b> |
| Read/Write    | R/W          | R/W           | R/W           | R/W          | R/W           | R/W          | R/W             | R/W          |             |
| Initial Value | 0            | 0             | 0             | 0            | 0             | 0            | 0               | 0            |             |

- **Bit 7 – PRTWI - Power Reduction TWI**

Writing a logic one to this bit shuts down the TWI by stopping the clock to the module. When waking up the TWI again, the TWI should be re initialized to ensure proper operation.

- **Bit 6 – PRTIM2 - Power Reduction Timer/Counter2**

Writing a logic one to this bit shuts down the Timer/Counter2 module. When the Timer/Counter2 is enabled, operation will continue like before the shutdown.

- **Bit 5 – PRTIM0 - Power Reduction Timer/Counter0**

Writing a logic one to this bit shuts down the Timer/Counter0 module. When the Timer/Counter0 is enabled, operation will continue like before the shutdown.

- **Bit 4 – PRPGA - Power Reduction PGA**

Writing a logic one to this bit reduced the power consumption of the programmable gain amplifier. The block is not turned off. Only the current levels in the amplifiers are reduced. Reducing the PGA current levels is only recommended for slow ADC clock frequencies. A new ADC conversion using the PGA should be delayed by a default start-up time after changing (setting or resetting) this bit.

- **Bit 3 – PRTIM1 - Power Reduction Timer/Counter1**

Writing a logic one to this bit shuts down the Timer/Counter1 module. When the Timer/Counter1 is enabled, operation will continue like before the shutdown.

- **Bit 2 – PRSPI - Power Reduction Serial Peripheral Interface**

Writing a logic one to this bit shuts down the Serial Peripheral Interface by stopping the clock to the module. When waking up the SPI again, the SPI should be re initialized to ensure proper operation.

- **Bit 1 – PRUSART0 - Power Reduction USART**

Writing a logic one to this bit shuts down the USART0 by stopping the clock to the module. When waking up the USART0 again, the USART0 should be reinitialized to ensure proper operation.

- **Bit 0 – PRADC - Power Reduction ADC**

Writing a logic one to this bit shuts down the ADC. The ADC must be disabled (reset ADEN bit in register ADCSRA) before shut down. The analog comparator cannot use the ADC input MUX when the ADC is shut down.

### 12.6.3 PRR1 – Power Reduction Register 1

| Bit           | 7          | 6              | 5             | 4             | 3             | 2 | 1 | 0               |      |
|---------------|------------|----------------|---------------|---------------|---------------|---|---|-----------------|------|
| NA (\$65)     | <b>Res</b> | <b>PRTRX24</b> | <b>PRTIM5</b> | <b>PRTIM4</b> | <b>PRTIM3</b> |   |   | <b>PRUSART1</b> | PRR1 |
| Read/Write    | R          | RW             | RW            | RW            | RW            |   |   | RW              |      |
| Initial Value | 0          | 0              | 0             | 0             | 0             |   |   | 0               |      |

- **Bit 7 – Res - Reserved Bit**

This bit is reserved for future use. A read access always will return zero. A write access does not modify the content.

- **Bit 6 – PRTRX24 - Power Reduction Transceiver**

Writing a logic one to this bit shuts down the transceiver (disconnect from the power supply). In power-down and power-save modes the power-chain will be disabled when this bit is one. Writing a logic zero to this bit will re-enable the transceiver.

- **Bit 5 – PRTIM5 - Power Reduction Timer/Counter5**

Writing a logic one to this bit shuts down the Timer/Counter5 module. When the Timer/Counter5 is enabled, operation will continue like before the shutdown.

- **Bit 4 – PRTIM4 - Power Reduction Timer/Counter4**

Writing a logic one to this bit shuts down the Timer/Counter4 module. When the Timer/Counter4 is enabled, operation will continue like before the shutdown.

- **Bit 3 – PRTIM3 - Power Reduction Timer/Counter3**

Writing a logic one to this bit shuts down the Timer/Counter3 module. When the Timer/Counter3 is enabled, operation will continue like before the shutdown.

- **Bit 0 – PRUSART1 - Power Reduction USART1**

Writing a logic one to this bit shuts down the USART1 by stopping the clock to the module. When waking up the USART1 again, the USART1 should be reinitialized to ensure proper operation.

## 12.6.4 PRR2 – Power Reduction Register 2

| Bit           | 7           | 6           | 5           | 4           | 3             | 2             | 1             | 0             |      |
|---------------|-------------|-------------|-------------|-------------|---------------|---------------|---------------|---------------|------|
| NA (\$63)     | <b>Res3</b> | <b>Res2</b> | <b>Res1</b> | <b>Res0</b> | <b>PRRAM3</b> | <b>PRRAM2</b> | <b>PRRAM1</b> | <b>PRRAM0</b> | PRR2 |
| Read/Write    | R           | R           | R           | R           | RW            | RW            | RW            | RW            |      |
| Initial Value | 0           | 0           | 0           | 0           | 0             | 0             | 0             | 0             |      |

The Power Reduction Register PRR2 allows to individually disable all four SRAM blocks. Setting any PRRAM3:0 bit to one will completely switch off (disconnect from the power supply) the corresponding SRAM block. This enables the application to disable unused SRAM memory to save power. Every SRAM block can be re-enabled by resetting the appropriate PRRAM3:0 bit.

- **Bit 7:4 – Res3:0 - Reserved Bit**

This bit is reserved for future use. A read access always will return zero. A write access does not modify the content.

- **Bit 3 – PRRAM3 - Power Reduction SRAM 3**

Setting this bit to one will disable the SRAM block 3. Setting this bit to zero will enable the SRAM block 3.

- **Bit 2 – PRRAM2 - Power Reduction SRAM 2**

Setting this bit to one will disable the SRAM block 2. Setting this bit to zero will enable the SRAM block 2.

- **Bit 1 – PRRAM1 - Power Reduction SRAM 1**

Setting this bit to one will disable the SRAM block 1. Setting this bit to zero will enable the SRAM block 1.

- **Bit 0 – PRRAM0 - Power Reduction SRAM 0**

Setting this bit to one will disable the SRAM block 0. Setting this bit to zero will enable the SRAM block 0.

## 12.6.5 TRXPR – Transceiver Pin Register

| Bit           | 7           | 6           | 5           | 4           | 3           | 2             | 1            | 0             |       |
|---------------|-------------|-------------|-------------|-------------|-------------|---------------|--------------|---------------|-------|
| NA (\$139)    | <b>Res3</b> | <b>Res2</b> | <b>Res1</b> | <b>Res0</b> | <b>ATBE</b> | <b>TRXTST</b> | <b>SLPTR</b> | <b>TRXRST</b> | TRXPR |
| Read/Write    | R           | R           | R           | R           | RW          | RW            | RW           | RW            |       |
| Initial Value | 0           | 0           | 0           | 0           | 0           | 0             | 0            | 0             |       |

The register TRXPR allows to control basic actions of the radio transceiver like reset or state transitions. The register bit functionality is inherited from the external pins of the stand-alone radio transceiver.

- **Bit 7:4 – Res3:0 - Reserved**

- **Bit 3 – ATBE - Analog Test-bus Enable**

The analog test-bus can be enabled by setting this bit to one. The test-bus can only be activated in the test-mode. Internal analog signals are then available at the TSTOP, TSTON, TSIP and TSTIN pins.

- **Bit 2 – TRXTST - Transceiver Test-mode Enable**

The TRXTST bit enables the test-functionality of the transceiver. In addition the general device test-mode must be enabled by applying the appropriate test-signature.

- **Bit 1 – SLPTR - Multi-purpose Transceiver Control Bit**

The bit SLPTR is a multi-functional bit to control transceiver state transitions. Dependent on the radio transceiver state, a rising edge of bit SLPTR causes the following state transitions: TRX\_OFF => SLEEP (level sensitive), PLL\_ON => BUSY\_TX. Whereas the falling edge of bit SLPTR causes the following state transition: SLEEP => TRX\_OFF (level sensitive). When the radio transceiver is in TRX\_OFF state the microcontroller forces the transceiver to SLEEP by setting SLPTR = H. The Transceiver awakes when the microcontroller releases the bit SLPTR. In states PLL\_ON and TX\_ARET\_ON, bit SLPTR is used as trigger input to initiate a TX transaction. Here SLPTR is sensitive on rising edge only. After initiating a state change by a rising edge at Bit SLPTR in radio transceiver states TRX\_OFF, RX\_ON or RX\_AACK\_ON, the radio transceiver remains in the new state as long as the pin is logical high and returns to the preceding state with the falling edge.

- **Bit 0 – TRXRST - Force Transceiver Reset**

The RESET state is used to set back the state machine and to reset all registers of the transceiver (except IRQ\_MASK) to their default values. A reset forces the radio transceiver into the TRX\_OFF state and resets all transceiver register to their default values. A reset is initiated with bit TRXRST = H. The bit is cleared automatically. During transceiver reset the microcontroller has to set the radio transceiver control bit SLPTR to the default value.

## 12.6.6 DRTRAM0 – Data Retention Configuration Register #0

| Bit           | 7           | 6           | 5              | 4            | 3             | 2             | 1             | 0             |                |
|---------------|-------------|-------------|----------------|--------------|---------------|---------------|---------------|---------------|----------------|
| NA (\$135)    | <b>Res1</b> | <b>Res0</b> | <b>DRTSWOK</b> | <b>ENDRT</b> | <b>DRTMP1</b> | <b>DRTMP0</b> | <b>DRTMN1</b> | <b>DRTMN0</b> | <b>DRTRAM0</b> |
| Read/Write    | R           | R           | R              | RW           | RW            | RW            | RW            | RW            |                |
| Initial Value | 0           | 0           | 0              | 0            | 0             | 0             | 0             | 0             |                |

The DRTRAM0 register controls the behavior of SRAM block #0 (ATmega256RF block #0 and #1 in parallel) in the power-states "power-save" and "power-down". To prevent any data loss the SRAM will not completely disconnected from the power supply. Reserved bits will be overwritten during chip reset by the factory calibration and should not be modified.

- **Bit 7:6 – Res1:0 - Reserved**

- **Bit 5 – DRTSWOK - DRT Switch OK**

This bit indicates the status of the SRAM power-switch. A logical one indicates that the SRAM supply voltage is fully available and the memory may be accessed normally.

- **Bit 4 – ENDRT - Enable SRAM Data Retention**

During "Deep-Sleep" each SRAM block will either be switched off or provides data retention of its memory content. This bit must set to one if data retention mode should be used. Otherwise the SRAM is switched off (disconnected from the power supply) and all its data are lost.

- **Bit 3:2 – DRTMP1:0 - Positive Data Retention Voltage Setting**

The bits DRTMP1:0 define the reduction of the positive supply voltage during data retention (DRT) mode. A preprogrammed calibration value is automatically written to this register during chip reset, giving the factory value. The DRT mode must be enabled by setting ENDRT high. Otherwise the SRAM is switched off (disconnected from the power supply) and all its data are lost. The typical voltage reduction levels are shown in the following table.

**Table 12-104 DRTMP Register Bits**

| Register Bits | Value | Description |
|---------------|-------|-------------|
| DRTMP1:0      | 0     | 500 mV      |
|               | 1     | 425 mV      |
|               | 2     | 360 mV      |
|               | 3     | < 5 mV      |

- **Bit 1:0 – DRTMN1:0 - Negative Data Retention Voltage Setting**

The bits DRTMN1:0 define the reduction of the negative supply voltage during data retention (DRT) mode. A preprogrammed calibration value is automatically written to this register during chip reset, giving the factory value. The DRT mode must be enabled by setting ENDRT high. Otherwise the SRAM is switched off (disconnected from the power supply) and all its data are lost. The typical voltage reduction levels are shown in the following table.

**Table 12-105 DRTMN Register Bits**

| Register Bits | Value | Description |
|---------------|-------|-------------|
| DRTMN1:0      | 0     | 525 mV      |
|               | 1     | 415 mV      |
|               | 2     | 325 mV      |
|               | 3     | < 5 mV      |

## 12.6.7 DRTRAM1 – Data Retention Configuration Register #1

| Bit           | 7           | 6           | 5              | 4            | 3             | 2             | 1             | 0             |                |
|---------------|-------------|-------------|----------------|--------------|---------------|---------------|---------------|---------------|----------------|
| NA (\$134)    | <b>Res1</b> | <b>Res0</b> | <b>DRTSWOK</b> | <b>ENDRT</b> | <b>DRTMP1</b> | <b>DRTMP0</b> | <b>DRTMN1</b> | <b>DRTMN0</b> | <b>DRTRAM1</b> |
| Read/Write    | R           | R           | R              | RW           | RW            | RW            | RW            | RW            |                |
| Initial Value | 0           | 0           | 0              | 0            | 0             | 0             | 0             | 0             |                |

The DRTRAM1 register controls the behavior of SRAM block #1 (ATmega256RF block #2 and #3 in parallel) in the power-states "power-save" and "power-down". To prevent any data loss the SRAM will not completely disconnected from the power supply. Reserved bits will be overwritten during chip reset by the factory calibration and should not be modified.

- **Bit 7:6 – Res1:0 - Reserved**
- **Bit 5 – DRTSWOK - DRT Switch OK**

This bit indicates the status of the SRAM power-switch. A logical one indicates that the SRAM supply voltage is fully available and the memory may be accessed normally.

- **Bit 4 – ENDRT - Enable SRAM Data Retention**

During "Deep-Sleep" each SRAM block will either be switched off or provides data retention of its memory content. This bit must set to one if data retention mode should be used. Otherwise the SRAM is switched off (disconnected from the power supply) and all its data are lost.

- **Bit 3:2 – DRTMP1:0 - Positive Data Retention Voltage Setting**

The bits DRTMP1:0 define the reduction of the positive supply voltage during data retention (DRT) mode. A preprogrammed calibration value is automatically written to this register during chip reset, giving the factory value. The DRT mode must be enabled by setting ENDRT high. Otherwise the SRAM is switched off (disconnected from the



power supply) and all its data are lost. The typical voltage reduction levels are shown in the following table.

**Table 12-106 DRTMP Register Bits**

| Register Bits | Value | Description |
|---------------|-------|-------------|
| DRTMP1:0      | 0     | 500 mV      |
|               | 1     | 425 mV      |
|               | 2     | 360 mV      |
|               | 3     | < 5 mV      |

- **Bit 1:0 – DRTMN1:0 - Negative Data Retention Voltage Setting**

The bits DRTMN1:0 define the reduction of the negative supply voltage during data retention (DRT) mode. A preprogrammed calibration value is automatically written to this register during chip reset, giving the factory value. The DRT mode must be enabled by setting ENDRT high. Otherwise the SRAM is switched off (disconnected from the power supply) and all its data are lost. The typical voltage reduction levels are shown in the following table.

**Table 12-107 DRTMN Register Bits**

| Register Bits | Value | Description |
|---------------|-------|-------------|
| DRTMN1:0      | 0     | 525 mV      |
|               | 1     | 415 mV      |
|               | 2     | 325 mV      |
|               | 3     | < 5 mV      |

## 12.6.8 DRTRAM2 – Data Retention Configuration Register #2

| Bit           | 7            | 6          | 5              | 4            | 3             | 2             | 1             | 0             |                |
|---------------|--------------|------------|----------------|--------------|---------------|---------------|---------------|---------------|----------------|
| NA (\$133)    | <b>DISPC</b> | <b>Res</b> | <b>DRTSWOK</b> | <b>ENDRT</b> | <b>DRTMP1</b> | <b>DRTMP0</b> | <b>DRTMN1</b> | <b>DRTMN0</b> | <b>DRTRAM2</b> |
| Read/Write    | RW           | R          | R              | RW           | RW            | RW            | RW            | RW            |                |
| Initial Value | 0            | 0          | 0              | 0            | 0             | 0             | 0             | 0             |                |

The DRTRAM2 register controls the behavior of SRAM block #2 (ATmega256RF block #4 and #5 in parallel) in the power-states "power-save" and "power-down". To prevent any data loss the SRAM will not completely disconnected from the power supply. Reserved bits will be overwritten during chip reset by the factory calibration and should not be modified.

- **Bit 7 – DISPC - Disable Power-chain of SRAM 2**

This bit allows to temporarily disable the power-chain of the SRAM block #2 (ATmega256RF block #4 and #5 in parallel) . In this way the block can be put into data retention (DRT) mode to measure the DRT voltage levels. See section "SRAM DRT Voltage Measurement" for details.

- **Bit 6 – Res - Reserved Bit**

This bit is reserved for future use. A read access always will return zero. A write access does not modify the content.

- **Bit 5 – DRTSWOK - DRT Switch OK**

This bit indicates the status of the SRAM power-switch. A logical one indicates that the SRAM supply voltage is fully available and the memory may be accessed normally.



- **Bit 4 – ENDRT - Enable SRAM Data Retention**

During "Deep-Sleep" each SRAM block will either be switched off or provides data retention of its memory content. This bit must set to one if data retention mode should be used. Otherwise the SRAM is switched off (disconnected from the power supply) and all its data are lost.

- **Bit 3:2 – DRTMP1:0 - Positive Data Retention Voltage Setting**

The bits DRTMP1:0 define the reduction of the positive supply voltage during data retention (DRT) mode. A preprogrammed calibration value is automatically written to this register during chip reset, giving the factory value. The DRT mode must be enabled by setting ENDRT high. Otherwise the SRAM is switched off (disconnected from the power supply) and all its data are lost. The typical voltage reduction levels are shown in the following table.

**Table 12-108 DRTMP Register Bits**

| Register Bits | Value | Description |
|---------------|-------|-------------|
| DRTMP1:0      | 0     | 500 mV      |
|               | 1     | 425 mV      |
|               | 2     | 360 mV      |
|               | 3     | < 5 mV      |

- **Bit 1:0 – DRTMN1:0 - Negative Data Retention Voltage Setting**

The bits DRTMN1:0 define the reduction of the negative supply voltage during data retention (DRT) mode. A preprogrammed calibration value is automatically written to this register during chip reset, giving the factory value. The DRT mode must be enabled by setting ENDRT high. Otherwise the SRAM is switched off (disconnected from the power supply) and all its data are lost. The typical voltage reduction levels are shown in the following table.

**Table 12-109 DRTMN Register Bits**

| Register Bits | Value | Description |
|---------------|-------|-------------|
| DRTMN1:0      | 0     | 525 mV      |
|               | 1     | 415 mV      |
|               | 2     | 325 mV      |
|               | 3     | < 5 mV      |

## 12.6.9 DRTRAM3 – Data Retention Configuration Register #3

| Bit           | 7           | 6           | 5              | 4            | 3             | 2             | 1             | 0             |                |
|---------------|-------------|-------------|----------------|--------------|---------------|---------------|---------------|---------------|----------------|
| NA (\$132)    | <b>Res1</b> | <b>Res0</b> | <b>DRTSWOK</b> | <b>ENDRT</b> | <b>DRTMP1</b> | <b>DRTMP0</b> | <b>DRTMN1</b> | <b>DRTMN0</b> | <b>DRTRAM3</b> |
| Read/Write    | R           | R           | R              | RW           | RW            | RW            | RW            | RW            |                |
| Initial Value | 0           | 0           | 0              | 0            | 0             | 0             | 0             | 0             |                |

The DRTRAM3 register controls the behavior of SRAM block #3 (ATmega256RF block #6 and #7 in parallel) in the power-states "power-save" and "power-down". To prevent any data loss the SRAM will not completely disconnected from the power supply. Reserved bits will be overwritten during chip reset by the factory calibration and should not be modified.

- **Bit 7:6 – Res1:0 - Reserved**
- **Bit 5 – DRTSWOK - DRT Switch OK**

This bit indicates the status of the SRAM power-switch. A logical one indicates that the SRAM supply voltage is fully available and the memory may be accessed normally.

- **Bit 4 – ENDRT - Enable SRAM Data Retention**

During "Deep-Sleep" each SRAM block will either be switched off or provides data retention of its memory content. This bit must set to one if data retention mode should be used. Otherwise the SRAM is switched off (disconnected from the power supply) and all its data are lost.

- **Bit 3:2 – DRTMP1:0 - Positive Data Retention Voltage Setting**

The bits DRTMP1:0 define the reduction of the positive supply voltage during data retention (DRT) mode. A preprogrammed calibration value is automatically written to this register during chip reset, giving the factory value. The DRT mode must be enabled by setting ENDRT high. Otherwise the SRAM is switched off (disconnected from the power supply) and all its data are lost. The typical voltage reduction levels are shown in the following table.

**Table 12-110 DRTMP Register Bits**

| Register Bits | Value | Description |
|---------------|-------|-------------|
| DRTMP1:0      | 0     | 500 mV      |
|               | 1     | 425 mV      |
|               | 2     | 360 mV      |
|               | 3     | < 5 mV      |

- **Bit 1:0 – DRTMN1:0 - Negative Data Retention Voltage Setting**

The bits DRTMN1:0 define the reduction of the negative supply voltage during data retention (DRT) mode. A preprogrammed calibration value is automatically written to this register during chip reset, giving the factory value. The DRT mode must be enabled by setting ENDRT high. Otherwise the SRAM is switched off (disconnected from the power supply) and all its data are lost. The typical voltage reduction levels are shown in the following table.

**Table 12-111 DRTMN Register Bits**

| Register Bits | Value | Description |
|---------------|-------|-------------|
| DRTMN1:0      | 0     | 525 mV      |
|               | 1     | 415 mV      |
|               | 2     | 325 mV      |
|               | 3     | < 5 mV      |

## 12.6.10 LLCR – Low Leakage Voltage Regulator Control Register

| Bit           | 7           | 6           | 5             | 4             | 3            | 2            | 1              | 0              |      |
|---------------|-------------|-------------|---------------|---------------|--------------|--------------|----------------|----------------|------|
| NA (\$12F)    | <b>Res1</b> | <b>Res0</b> | <b>LLDONE</b> | <b>LLCOMP</b> | <b>LLCAL</b> | <b>LLTCO</b> | <b>LLSHORT</b> | <b>LLENCAL</b> | LLCR |
| Read/Write    | R           | R           | R             | R             | R            | RW           | RW             | RW             |      |
| Initial Value | 0           | 0           | 0             | 0             | 0            | 0            | 0              | 1              |      |

This register allows to monitor and to control the calibration process of the low-leakage voltage regulator. The automatic calibration is the normal operation mode. However, certain circumstances may require to disable this automatic process for instance to save power-up time. The results of the automatic calibration can also be modified when required by the application for instance to get a higher or lower output voltage.

- **Bit 7:6 – Res1:0 - Reserved Bit**

This bit is reserved for future use. A read access always will return zero. A write access does not modify the content.

- **Bit 5 – LLDONE - Calibration Done**

This bit indicates the last state of the calibration algorithm. The data register contents is updated with new calibration data after the bit changed to 1. The bit will only be high for one 64kHz clock period, because a new calibration loop is started automatically.

- **Bit 4 – LLCOMP - Comparator Output**

This bit indicates the output state of the comparator of the low-leakage voltage regulator. In this way the calibration progress can be directly monitored for debug purposes. The state of the bit changes at most every 64kHz clock period.

- **Bit 3 – LLCAL - Calibration Active**

This bit indicates that the automatic calibration is in progress. The analog part of the calibration circuit is powered up if the bit is 1.

- **Bit 2 – LLTCO - Temperature Coefficient of Current Source**

This bit shows the status of the selection of the temperature coefficient. The state of the bit is updated in the course of the automatic calibration. A valid value is present after the LLDONE bit is 1 for the first time. Write access is only enabled when the automatic calibration is turned off (LLENAL is 0). This bit should not be changed without further information.

- **Bit 1 – LLSHORT - Short Lower Calibration Circuit**

This bit shows the status of the short switch for the lower calibration circuit. The state of the bit is updated in the course of the automatic calibration. A valid value is present after the LLDONE bit is 1 for the first time. If this bit is set to 1 register LLDRH has no function. Write access is only possible when the automatic calibration is turned off (LLENAL is 0). This bit should not be changed without further information.

- **Bit 0 – LLENAL - Enable Automatic Calibration**

This bit enables the automatic calibration. The automatic calibration runs if the state of the bit is 1. Write access to the two data register and the bits LLSHORT and LLTCO is then denied. If the state of LLENAL is 0 then the calibration algorithm is stopped and the output voltage of the low-leakage voltage regulator is defined by the values in the two data register LLDRH and LLDRH and by the bits LLSHORT and LLTCO.

## 12.6.11 LLDRH – Low Leakage Voltage Regulator Data Register (High-Byte)

| Bit           | 7           | 6           | 5           | 4             | 3             | 2             | 1             | 0             |       |
|---------------|-------------|-------------|-------------|---------------|---------------|---------------|---------------|---------------|-------|
| NA (\$131)    | <b>Res2</b> | <b>Res1</b> | <b>Res0</b> | <b>LLDRH4</b> | <b>LLDRH3</b> | <b>LLDRH2</b> | <b>LLDRH1</b> | <b>LLDRH0</b> | LLDRH |
| Read/Write    | R           | R           | R           | RW            | RW            | RW            | RW            | RW            |       |
| Initial Value | 0           | 0           | 0           | 0             | 0             | 0             | 0             | 0             |       |

The high-byte of the calibration data can be accessed through this register. Write access is only enabled when the bit LLENAL of the LLCR register is 0. Then the data bits LLDRH4:0 directly control the output voltage of the low-leakage voltage regulator. Higher numbers generate lower voltages. If the bit LLENAL is 1 then the results of the automatic calibration are stored.

- **Bit 7:5 – Res2:0 - Reserved**

These bits are reserved for future use.



- **Bit 4:0 – LLDRH4:0 - High-Byte Data Register Bits**

Value of the high-byte calibration result

**Table 12-112 LLDRH Register Bits**

| Register Bits | Value | Description   |
|---------------|-------|---|
| LLDRH4:0      | 0x00  | Calibration limit for fast process corner/high output voltage |
|               | 0x10  | Calibration limit for slow process corner/low output voltage  |

## 12.6.12 LLDRL – Low Leakage Voltage Regulator Data Register (Low-Byte)

| Bit           | 7           | 6           | 5           | 4           | 3             | 2             | 1             | 0             |       |
|---------------|-------------|-------------|-------------|-------------|---------------|---------------|---------------|---------------|-------|
| NA (\$130)    | <b>Res3</b> | <b>Res2</b> | <b>Res1</b> | <b>Res0</b> | <b>LLDRL3</b> | <b>LLDRL2</b> | <b>LLDRL1</b> | <b>LLDRL0</b> | LLDRL |
| Read/Write    | R           | R           | R           | R           | RW            | RW            | RW            | RW            |       |
| Initial Value | 0           | 0           | 0           | 0           | 0             | 0             | 0             | 0             |       |

The low-byte of the calibration data can be accessed through this register. Write access is only enabled when the bit LLENICAL of the LLCR register is 0. Then the data bits LLDRL3:0 directly control the output voltage of the low-leakage voltage regulator. Higher numbers generate lower voltages. The contents of this register is meaningless when the bit LLSHORT of the LLCR register is 1. If the bit LLENICAL is 1 then the results of the automatic calibration are stored.

- **Bit 7:4 – Res3:0 - Reserved**

These bits are reserved for future use.

- **Bit 3:0 – LLDRL3:0 - Low-Byte Data Register Bits**

Value of the low-byte calibration result

**Table 12-113 LLDRL Register Bits**

| Register Bits | Value | Description   |
|---------------|-------|---|
| LLDRL3:0      | 0x00  | Calibration limit for fast process corner/high output voltage |
|               | 0x08  | Calibration limit for slow process corner/low output voltage  |

## 12.6.13 DPDS0 – Port Driver Strength Register 0

| Bit           | 7             | 6             | 5             | 4             | 3             | 2             | 1             | 0             |       |
|---------------|---------------|---------------|---------------|---------------|---------------|---------------|---------------|---------------|-------|
| NA (\$136)    | <b>PFDRV1</b> | <b>PFDRV0</b> | <b>PEDRV1</b> | <b>PEDRV0</b> | <b>PDDRV1</b> | <b>PDDRV0</b> | <b>PBDRV1</b> | <b>PBDRV0</b> | DPDS0 |
| Read/Write    | RW            | RW            | RW            | RW            | RW            | RW            | RW            | RW            |       |
| Initial Value | 0             | 0             | 0             | 0             | 0             | 0             | 0             | 0             |       |

The output driver strength can be set individually for each digital I/O port. The following tables show output current levels for a typical supply voltage of DEVDD = 3.3V. Refer to section "Electrical Characteristics" for details.

- **Bit 7:6 – PFDRV1:0 - Driver Strength Port F**

**Table 12-114 PFDRV Register Bits**

| Register Bits | Value | Description |
|---------------|-------|-------------|
| PFDRV1:0      | 0     | 2 mA        |
|               | 1     | 4 mA        |
|               | 2     | 6 mA        |
|               | 3     | 8 mA        |

- **Bit 5:4 – PEDRV1:0 - Driver Strength Port E**

**Table 12-115 PEDRV Register Bits**

| Register Bits | Value | Description |
|---------------|-------|-------------|
| PEDRV1:0      | 0     | 2 mA        |
|               | 1     | 4 mA        |
|               | 2     | 6 mA        |
|               | 3     | 8 mA        |

- **Bit 3:2 – PDDRV1:0 - Driver Strength Port D**

**Table 12-116 PDDRV Register Bits**

| Register Bits | Value | Description |
|---------------|-------|-------------|
| PDDRV1:0      | 0     | 2 mA        |
|               | 1     | 4 mA        |
|               | 2     | 6 mA        |
|               | 3     | 8 mA        |

- **Bit 1:0 – PBDRV1:0 - Driver Strength Port B**

**Table 12-117 PBDRV Register Bits**

| Register Bits | Value | Description |
|---------------|-------|-------------|
| PBDRV1:0      | 0     | 2 mA        |
|               | 1     | 4 mA        |
|               | 2     | 6 mA        |
|               | 3     | 8 mA        |

## 12.6.14 DPDS1 – Port Driver Strength Register 1

| Bit           | 7           | 6           | 5           | 4           | 3           | 2           | 1             | 0             |       |
|---------------|-------------|-------------|-------------|-------------|-------------|-------------|---------------|---------------|-------|
| NA (\$137)    | <b>Res5</b> | <b>Res4</b> | <b>Res3</b> | <b>Res2</b> | <b>Res1</b> | <b>Res0</b> | <b>PGDRV1</b> | <b>PGDRV0</b> | DPDS1 |
| Read/Write    | R           | R           | R           | R           | R           | R           | RW            | RW            |       |
| Initial Value | 0           | 0           | 0           | 0           | 0           | 0           | 0             | 0             |       |

The output driver strength can be set individually for each digital I/O port. The following table shows output current levels for a typical supply voltage of DEVDD = 3.3V. Refer to section "Electrical Characteristics" for details.

- **Bit 7:2 – Res5:0 - Reserved**
- **Bit 1:0 – PGDRV1:0 - Driver Strength Port G**

Driver strength can be set for port G except the port pins PG3 and PG4. The leakage current of the ports PG3 and PG4 is reduced.

**Table 12-118 PGDRV Register Bits**

| Register Bits | Value | Description |
|---------------|-------|-------------|
| PGDRV1:0      | 0     | 2 mA        |
|               | 1     | 4 mA        |
|               | 2     | 6 mA        |
|               | 3     | 8 mA        |

## 13 System Control and Reset

### 13.1 Resetting the AVR

During reset, all I/O Registers are set to their initial values, and the program starts execution from the Reset Vector. The instruction placed at the Reset Vector must be a JMP – Absolute Jump – instruction to the reset handling routine. If the program never enables an interrupt source, the Interrupt Vectors are not used, and regular program code can be placed at these locations. This is also the case if the Reset Vector is in the Application section while the Interrupt Vectors are in the Boot section or vice versa. The circuit diagram in [Figure 13-1 on page 208](#) shows the reset logic. ["System and Reset Characteristics" on page 553](#) defines the electrical parameters of the reset circuitry.

The I/O ports of the AVR are immediately reset to their initial state when a reset source goes active. This does not require any clock source to be running.

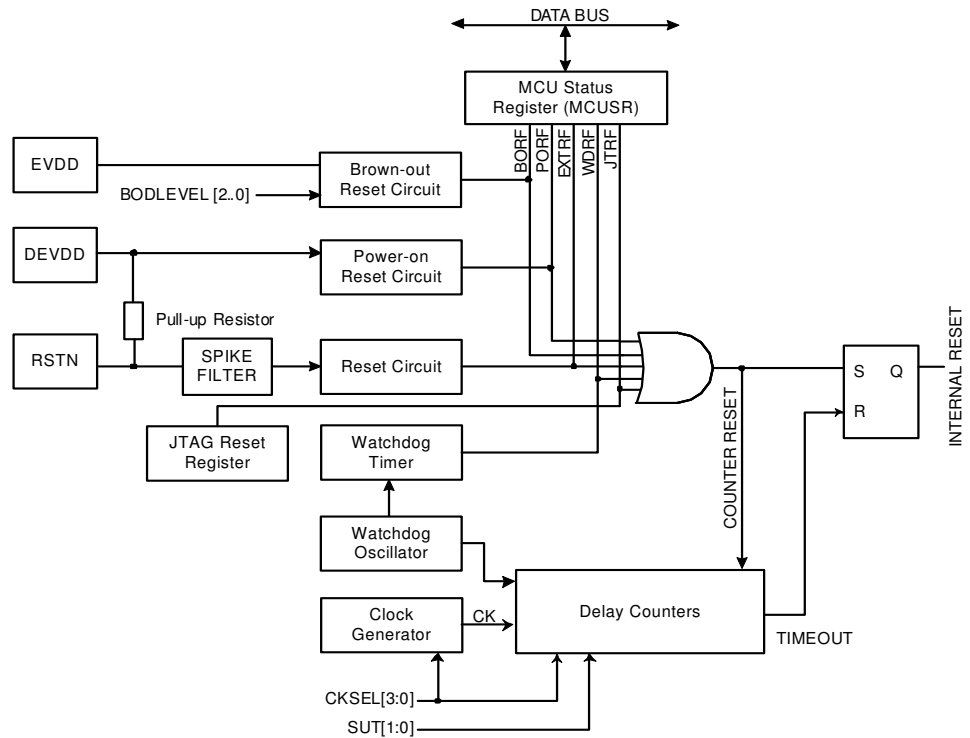
After all reset sources have gone inactive, a delay counter is invoked, stretching the internal reset. This allows the power to reach a stable level before normal operation starts. The time-out period of the delay counter is defined by the user through the SUT and CKSEL Fuses. The different selections for the delay period are presented in ["Clock Sources" on page 175](#).

### 13.2 Reset Sources

The ATmega2564/1284/644RFR2 has five sources of reset:

- Power-on Reset. The MCU is reset when the supply voltage is below the Power-on Reset threshold ( $V_{POT}$ ).
- External Reset. The MCU is reset when a low level is present on the RSTN pin for longer than the minimum pulse length.
- Watchdog Reset. The MCU is reset when the Watchdog Timer period expires and the Watchdog is enabled.
- Brown-out Reset. The MCU is reset when the supply voltage EVDD is below the Brown-out Reset threshold ( $V_{BOT}$ ) and the Brown-out Detector is enabled.
- JTAG AVR Reset. The MCU is reset as long as there is a logic one in the Reset Register, one of the scan chains of the JTAG system. Refer to the section ["IEEE 1149.1 \(JTAG\) Boundary-scan" on page 476](#) for details.

**Figure 13-1. Reset Logic**

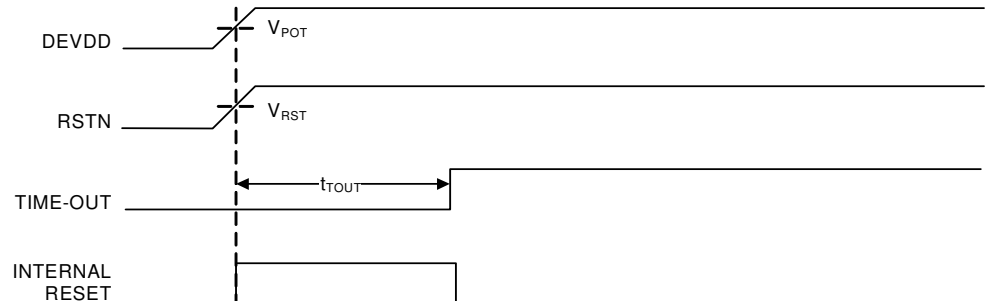


### 13.2.1 Power-on Reset

A Power-on Reset (POR) pulse is generated by a dynamic, on-chip detection circuit. The POR is active when DEVDD is rising. The electrical characteristics are defined in "[System and Reset Characteristics](#)" on page 553. The POR circuit can be used to trigger the start-up reset. To detect a failure in the supply voltage (e.g. a voltage drop) the brown-own detector should be used.

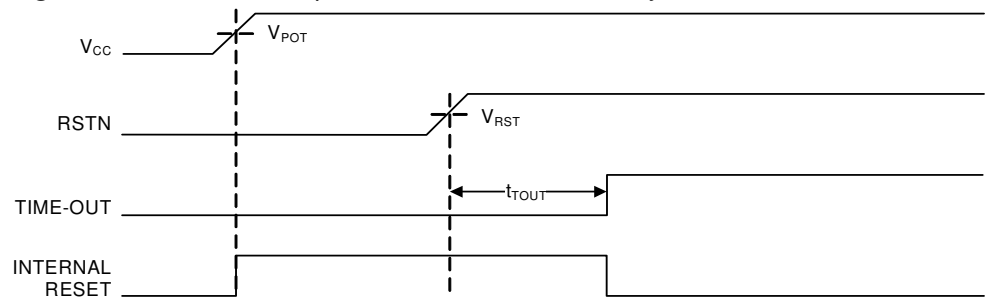
A Power-on Reset (POR) circuit ensures that the device is reset from Power-on. Reaching the Power-on Reset threshold voltage invokes the delay counter, which determines how long the device is kept in RESET after the DEVDD rise. The RESET signal is activated again without any delay, when DEVDD decreases below the detection level.

**Figure 13-2. MCU Start-up, RSTN Tied to DEVDD**





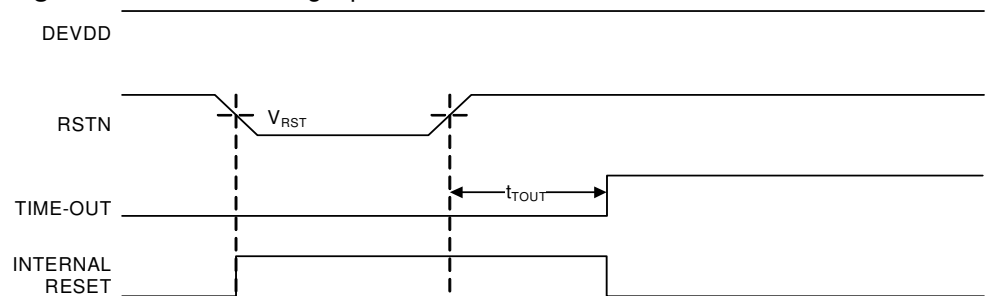
**Figure 13-3. MCU Start-up, RSTN Extended Externally**



## 13.2.2 External Reset

An External Reset is generated by a low level on the RSTN pin. Reset pulses longer than the minimum pulse width (see "System and Reset Characteristics" on page 553) will generate a reset, even if the clock is not running. Shorter pulses are not guaranteed to generate a reset. When the applied signal reaches the Reset Threshold Voltage –  $V_{RST}$  – on its positive edge, the delay counter starts the MCU after the Time-out period –  $t_{TOUT}$  – has expired.

**Figure 13-4. Reset During Operation**



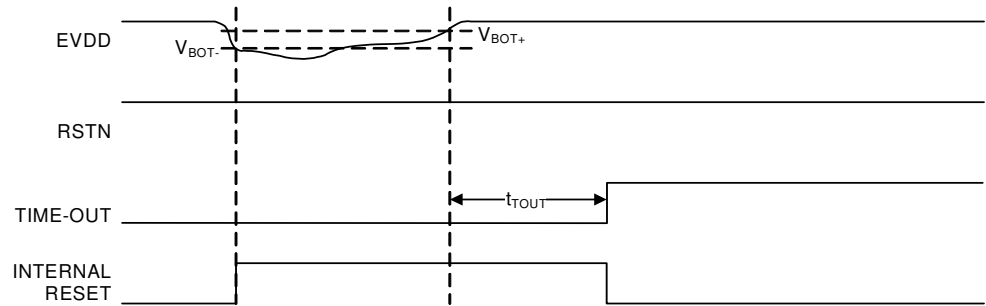
## 13.2.3 Brown-out Detection

ATmega2564/1284/644RFR2 has an On-chip Brown-out Detection (BOD) circuit for monitoring the EVDD level during operation by comparing it to a fixed trigger level. The trigger level for the BOD can be selected by the BODLEVEL Fuses. The trigger level has a hysteresis to ensure spike free Brown-out Detection. The hysteresis on the detection level should be interpreted as  $V_{BOT+} = V_{BOT} + V_{HYST}/2$  and  $V_{BOT-} = V_{BOT} - V_{HYST}/2$ .

When the BOD is enabled, and EVDD decreases to a value below the trigger level ( $V_{BOT-}$  in Figure 13-5 on page 210), the Brown-out Reset is immediately activated. When EVDD increases above the trigger level ( $V_{BOT+}$  in Figure 13-5 on page 210), the delay counter starts the MCU after the Time-out period  $t_{TOUT}$  has expired.

The BOD circuit will only detect a drop in EVDD if the voltage stays below the trigger level for longer than  $t_{BOD}$  given in "System and Reset Characteristics" on page 553.

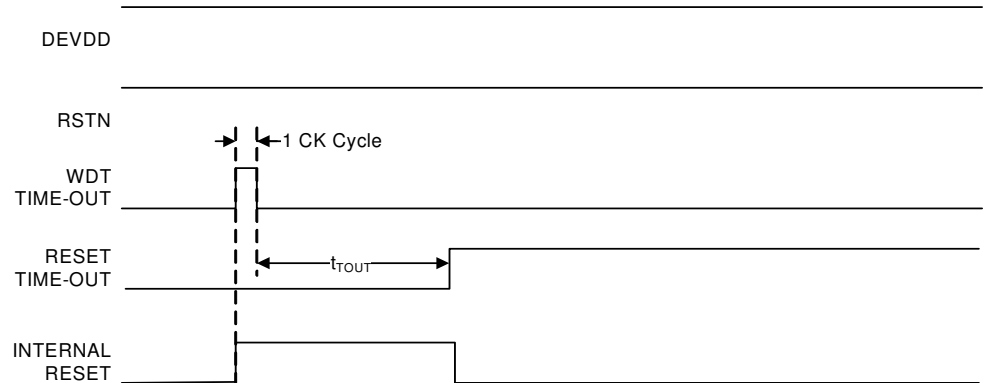
**Figure 13-5. Brown-out Reset During Operation**



### 13.2.4 Watchdog Reset

When the Watchdog times out, it will generate a short reset pulse of one CK cycle duration. On the falling edge of this pulse, the delay timer starts counting the Time-out period  $t_{TOUT}$ . See "Watchdog Timer" on page 211. for details on operation of the Watchdog Timer.

**Figure 13-6. Watchdog Reset During Operation**



### 13.3 Internal Voltage Reference

ATmega2564/1284/644RFR2 features an internal bandgap reference. This reference is used for Brown-out Detection, and it can be used as an input to the Analog Comparator or the ADC.

#### Voltage Reference Enable Signals and Start-up Time

The voltage reference has a start-up time that may influence the way it should be used. The start-up time is given in "System and Reset Characteristics" on page 553. To save power, the reference is not always turned on. The reference is on during the following situations:

1. When the BOD is enabled (by programming the BODLEVEL [2:0] Fuse).
2. When the bandgap reference is connected to the Analog Comparator (by setting the ACBG bit in ACSR).
3. When the ADC is enabled.

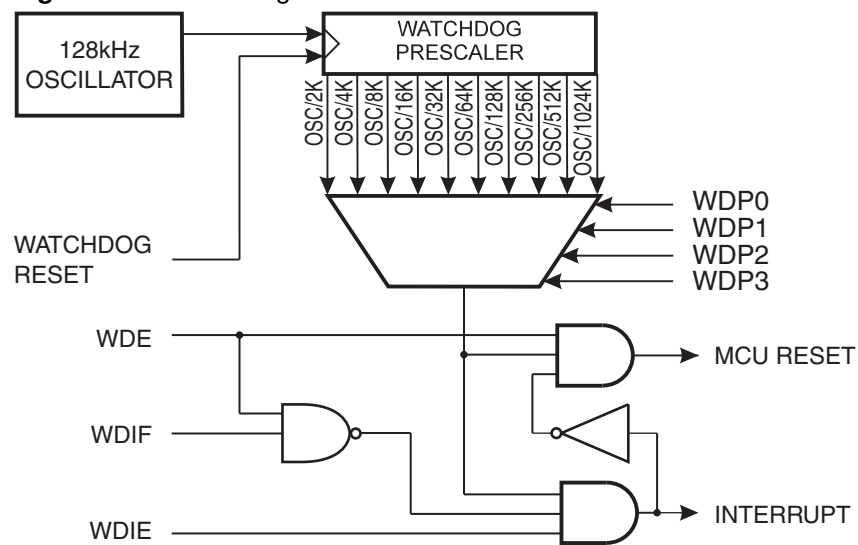
Thus, when the BOD is not enabled, after setting the ACBG bit or enabling the ADC, the user must always allow the reference to start up before the output from the Analog Comparator or ADC is used. To reduce power consumption in Power-down mode, the user can avoid the three conditions above to ensure that the reference is turned off before entering Power-down mode.

## 13.4 Watchdog Timer

### 13.4.1 Features

- Clocked from separate On-chip Oscillator
- 3 Operating modes
  - Interrupt
  - System Reset
  - Interrupt and System Reset
- Selectable Time-out period from 16ms to 8s
- Possible Hardware fuse Watchdog always on (WDTON) for fail-safe mode

Figure 13-7. Watchdog Timer



### 13.4.2 Overview

ATmega2564/1284/644RFR2 has an Enhanced Watchdog Timer (WDT). The WDT is a timer counting cycles of a separate on-chip 128 kHz oscillator. The WDT gives an interrupt or a system reset when the counter reaches a given time-out value. In normal operation mode, it is required that the system uses the WDR - Watchdog Timer Reset - instruction to restart the counter before the time-out value is reached. If the system doesn't restart the counter, an interrupt or system reset will be issued.

In Interrupt mode, the WDT gives an interrupt when the timer expires. This interrupt can be used to wake the device from sleep-modes, and also as a general system timer. One example is to limit the maximum time allowed for certain operations, giving an interrupt when the operation has run longer than expected. In System Reset mode, the WDT gives a reset when the timer expires. This is typically used to prevent system hang-up in case of runaway code. The third mode, Interrupt and System Reset mode, combines the other two modes by first giving an interrupt and then switch to System Reset mode. This mode will for instance allow a safe shutdown by saving critical parameters before a system reset.

The Watchdog always on (WDTON) fuse, if programmed, will force the Watchdog Timer to System Reset mode. With the fuse programmed the System Reset mode bit (WDE) and Interrupt mode bit (WDIE) are locked to 1 and 0 respectively. To further ensure

program security, alterations to the Watchdog set-up must follow timed sequences. The sequence for clearing WDE and changing time-out configuration is as follows:

1. In the same operation, write a logic one to the Watchdog change enable bit (WDCE) and WDE. A logic one must be written to WDE regardless of the previous value of the WDE bit.
2. Within the next four clock cycles, write the WDE and Watchdog prescaler bits (WDP) as desired, but with the WDCE bit cleared. This must be done in one operation.

The following code example shows one assembly and one C function for turning off the Watchdog Timer. The example assumes that interrupts are controlled (e.g. by disabling interrupts globally) so that no interrupts will occur during the execution of these functions.

### Assembly Code Example, Disable Watchdog Timer<sup>(1)</sup>

```

WDT_off:
; Turn off global interrupt
cli
; Reset Watchdog Timer
wdr
; Clear WDRF in MCUSR
in    r16, MCUSR
andi  r16, (0xff & (0<<WDRF))
out   MCUSR, r16
; Write logical one to WDCE and WDE
; Keep old prescaler setting to prevent unintentional time-out
lds  r16, WDTCR
ori  r16, (1<<WDCE) | (1<<WDE)
sts  WDTCR, r16
; Turn off WDT
ldi  r16, (0<<WDE)
sts  WDTCR, r16
; Turn on global interrupt
sei
ret

```

### C Code Example, Disable Watchdog Timer<sup>(1)</sup>

```

void WDT_off(void)
{
    __disable_interrupt();
    __watchdog_reset();
    /* Clear WDRF in MCUSR*/
    MCUSR &= ~(1<<WDRF);
    /* Write logical one to WDCE and WDE */
    /* Keep old prescaler setting to prevent unintentional time-out */
    WDTCR |= (1<<WDCE) | (1<<WDE);
    /* Turn off WDT */
    WDTCR = 0x00;
    __enable_interrupt();
}

```

Note: 1. The example code assumes that the part specific header file is included.

If the Watchdog is accidentally enabled, for example by a runaway pointer or brown-out condition, the device will be reset and the Watchdog Timer will stay enabled. If the code is not set up to handle the Watchdog, this might lead to an eternal loop of time-out resets. To avoid this situation, the application software should always clear the Watchdog System Reset Flag (WDRF) and the WDE control bit in the initialization routine, even if the Watchdog is not in use.

The following code example shows one assembly and one C function for changing the time-out value of the Watchdog Timer.

| <b>Assembly Code Example, Prescaler Change<sup>(1,2)</sup></b>   |
|--|
| <pre> WDT_Prescaler_Change: ; Turn off global interrupt cli ; Reset Watchdog Timer wdr ; Start timed sequence lds    r16, WDTCR ori    r16, (1&lt;&lt;WDCE)   (1&lt;&lt;WDE) sts    WDTCR, r16 ; --Got four cycles to set the new values from here - ; Set new prescaler(time-out) value = 64K cycles (~0.5 s) ldi    r16, (1&lt;&lt;WDE)   (1&lt;&lt;WDP2)   (1&lt;&lt;WDP0) sts    WDTCR, r16 ; --Finished setting new values, used 2 cycles - ; Turn on global interrupt sei ret </pre> |
| <b>C Code Example, Prescaler Change<sup>(1,2)</sup></b>  |
| <pre> void WDT_Prescaler_Change(void) {     __disable_interrupt();     __watchdog_reset();     /* Start timed sequence */     WDTCR  = (1&lt;&lt;WDCE)   (1&lt;&lt;WDE);     /* Set new prescaler(time-out) value = 64K cycles (~0.5 s) */     WDTCR = (1&lt;&lt;WDE)   (1&lt;&lt;WDP2)   (1&lt;&lt;WDP0);     __enable_interrupt(); } </pre>  |

- Note:
1. The example code assumes that the part specific header file is included.
  2. The Watchdog Timer should be reset before any change of the WDP bits, since a change in the WDP bits can result in a time-out when switching to a shorter time-out period.

When using the Watchdog Timer in Interrupt Mode the WDIE bit must be used as shown in the following code example.

## Assembly Code Example, Interrupt Mode<sup>(1,2)</sup>

```

WDT_Interrupt_Mode:
; Turn off global interrupt
cli
; Reset Watchdog Timer
wdr
; Start timed sequence, use WDCE and WDE bits
ldi r16, (1<<WDCE) | (1<<WDE)
sts WDTCSR, r16
; --Got four cycles to set the new values from here -
; Use WDIE bit to set new time-out value (64K cycles ~0.5 s)
ldi r16, (1<<WDIF) | (1<<WDIE) | (1<<WDP2) | (1<<WDP0)
sts WDTCSR, r16
; --Finished setting new values, used 2 cycles -
; Turn on global interrupt
sei
ret
    
```

## C Code Example, Interrupt Mode<sup>(1,2)</sup>

```

void WDT_Interrupt_Mode(void)
{
    __disable_interrupt();
    __watchdog_reset();
    /* Start timed sequence, use WDCE and WDE bits*/
    WDTCSR = (1<<WDCE) | (1<<WDE);
    /* Use WDIE bit to set time-out value (64k cycles ~0.5 s) */
    WDTCSR = (1<<WDIF) | (1<<WDIE) | (1<<WDP2) | (1<<WDP0);
    __enable_interrupt();
}
    
```

- Note:
1. The example code assumes that the part specific header file is included.
  2. The Watchdog Timer should be reset before any change of the WDP bits, since a change in the WDP bits can result in a time-out when switching to a shorter time-out period.

To clear any pending old Watchdog interrupt the WDIF bit is written to one together with the WDIE bit.

## 13.5 Register Description

### 13.5.1 MCUSR – MCU Status Register

| Bit           | 7           | 6           | 5           | 4           | 3           | 2           | 1            | 0           |       |
|---------------|-------------|-------------|-------------|-------------|-------------|-------------|--------------|-------------|-------|
| \$34 (\$54)   | <b>Res2</b> | <b>Res1</b> | <b>Res0</b> | <b>JTRF</b> | <b>WDRF</b> | <b>BORF</b> | <b>EXTRF</b> | <b>PORF</b> | MCUSR |
| Read/Write    | R           | R           | R           | RW          | R/W         | R/W         | R/W          | R/W         |       |
| Initial Value | 0           | 0           | 0           | 0           | 0           | 0           | 0            | 0           |       |

The MCU Status Register provides information on which reset source caused an MCU reset. To make use of the Reset Flags to identify a reset condition, the user should read and then Reset the MCUSR as early as possible in the program. If the register is

cleared before another reset occurs, the source of the reset can be found by examining the Reset Flags. Note, after power on the bit EXTRF has to be ignored.

- **Bit 7:5 – Res2:0 - Reserved**

- **Bit 4 – JTRF - JTAG Reset Flag**

This bit is set if a reset is being caused by a logic one in the JTAG Reset Register selected by the JTAG instruction AVR\_RESET. This bit is reset by a Power-on Reset, or by writing a logic zero to the flag.

- **Bit 3 – WDRF - Watchdog Reset Flag**

This bit is set if a Watchdog Reset occurs. The bit is reset by a Power-on Reset, or by writing a logic zero to the flag.

- **Bit 2 – BORF - Brown-out Reset Flag**

This bit is set if a Brown-out Reset occurs. The bit is reset by a Power-on Reset, or by writing a logic zero to the flag.

- **Bit 1 – EXTRF - External Reset Flag**

This bit is set if an External Reset occurs. The bit is reset by a Power-on Reset, or by writing a logic zero to the flag.

- **Bit 0 – PORF - Power-on Reset Flag**

This bit is set if a Power-on Reset occurs. The bit is reset only by writing a logic zero to the flag.

## 13.5.2 WDTCR – Watchdog Timer Control Register

| Bit           | 7           | 6           | 5           | 4           | 3          | 2           | 1           | 0           |       |
|---------------|-------------|-------------|-------------|-------------|------------|-------------|-------------|-------------|-------|
| NA (\$60)     | <b>WDIF</b> | <b>WDIE</b> | <b>WDP3</b> | <b>WDCE</b> | <b>WDE</b> | <b>WDP2</b> | <b>WDP1</b> | <b>WDP0</b> | WDTCR |
| Read/Write    | RW          | RW          | RW          | RW          | RW         | RW          | RW          | RW          |       |
| Initial Value | 0           | 0           | 0           | 0           | 0          | 0           | 0           | 0           |       |

- **Bit 7 – WDIF - Watchdog Timeout Interrupt Flag**

This bit is set when a time-out occurs in the Watchdog Timer and the Watchdog Timer is configured for interrupt. WDIF is cleared by hardware when executing the corresponding interrupt handling vector. Alternatively, WDIF is cleared by writing a logic one to the flag. When the I-bit in SREG and WDIE are set, the Watchdog Time-out Interrupt is executed.

- **Bit 6 – WDIE - Watchdog Timeout Interrupt Enable**

When this bit is written to one and the I-bit in the Status Register is set, the Watchdog Interrupt is enabled. If WDE is cleared in combination with this setting, the Watchdog Timer is in Interrupt Mode, and the corresponding interrupt is executed if time-out in the Watchdog Timer occurs. If WDE is set, the Watchdog Timer is in Interrupt and System Reset Mode. The first time-out in the Watchdog Timer will set WDIF. Executing the corresponding interrupt vector will clear WDIE and WDIF automatically by hardware (the Watchdog goes to System Reset Mode). This is useful for keeping the Watchdog Timer security while using the interrupt. To stay in Interrupt and System Reset Mode, WDIE must be set after each interrupt. This should however not be done within the interrupt service routine itself, as this might compromise the safety-function of the Watchdog System Reset mode. If the interrupt is not executed before the next time-out, a System Reset will be applied.

**Table 13-1. Watchdog Timer Configuration**

| WDTON <sup>(1)</sup> | WDE | WDIE | Mode                            | Action on Time-out                      |
|----------------------|-----|------|---------------------------------|---|
| 1                    | 0   | 0    | Stopped                         | None                                    |
| 1                    | 0   | 1    | Interrupt Mode                  | Interrupt                               |
| 1                    | 1   | 0    | System Reset Mode               | Reset                                   |
| 1                    | 1   | 1    | Interrupt and System Reset Mode | Interrupt, then go to System Reset Mode |
| 0                    | x   | x    | System Reset Mode               | Reset                                   |

Note: 1. WDTON Fuse set to “0” means programmed and “1” means un-programmed.

- **Bit 4 – WDCE - Watchdog Change Enable**

This bit is used in timed sequences for changing WDE and prescaler bits. To clear the WDE bit, and/or change the prescaler bits, WDCE must be set. Once written to one, hardware will clear WDCE after four clock cycles.

- **Bit 3 – WDE - Watch Dog Enable**

When the WDE is set (one) the Watchdog Timer is enabled. WDE is overridden by WDRF in MCUSR. This means that WDE is always set when WDRF is set. To clear WDE, WDRF must be cleared first. This feature ensures multiple resets during conditions causing failure, and a safe start-up after the failure.

- **Bit 5, 2:0 – WDP3:0 – Watchdog Timer Prescaler 3, 2, 1 and 0**

The WDP3:0 bits determine the Watchdog Timer prescaling when the Watchdog Timer is running. The following table also shows approximate time-out values.

**Table 13-2. WDP Register Bits**

| Register Bits | Value | Description                     |
|---------------|-------|---------------------------------|
| WDP3:0        | 0x00  | Oscillator Cycles 2k, (16ms)    |
|               | 0x01  | Oscillator Cycles 4k, (32ms)    |
|               | 0x02  | Oscillator Cycles 8k, (64ms)    |
|               | 0x03  | Oscillator Cycles 16k, (0.125s) |
|               | 0x04  | Oscillator Cycles 32k, (0.25s)  |
|               | 0x05  | Oscillator Cycles 64k, (0.5s)   |
|               | 0x06  | Oscillator Cycles 128k, (1.0s)  |
|               | 0x07  | Oscillator Cycles 256k, (2.0s)  |
|               | 0x08  | Oscillator Cycles 512k, (4.0s)  |
|               | 0x09  | Oscillator Cycles 1024k, (8.0s) |

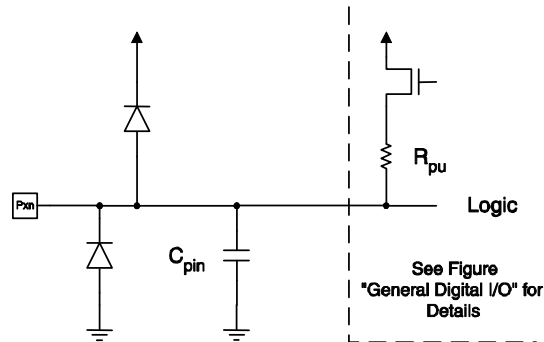


## 14 I/O-Ports

### 14.1 Introduction

All ATmega2564/1284/644RFR2 ports have true Read-Modify-Write functionality when used as general digital I/O ports. This means that the direction of one port pin can be changed without unintentionally changing the direction of any other pin with the SBI and CBI instructions. The same applies when changing drive value (if configured as output) or enabling/disabling of pull-up resistors (if configured as input). Each output buffer has symmetrical drive characteristics with both configurable sink and source capability. Every port is individually configurable in four different drive strengths. The pin driver is strong enough to drive LED displays directly. All port pins have individually selectable pull-up resistors with a supply-voltage invariant resistance. All I/O pins have protection diodes to both DEVDD and DVSS as indicated in [Figure 14-1 below](#). Refer to "[Electrical Characteristics](#)" on [page 550](#) for a complete list of parameters.

**Figure 14-1.** I/O Pin Equivalent Schematic



All registers and bit references in this section are written in general form. A lower case "x" represents the numbering letter for the port, and a lower case "n" represents the bit number. However, when using the register or bit defines in a program, the precise form must be used. For example, PORTB3 for bit no. 3 in Port B, here documented generally as PORTxn.

Three I/O memory address locations are allocated for each port, one each for the Data Register – PORTx, Data Direction Register – DDRx, and the Port Input Pins – PINx. The Port Input Pins I/O location is read only, while the Data Register and the Data Direction Register are read/write. However, writing a logic one to a bit in the PINx Register, will result in a toggle in the corresponding bit in the Data Register. In addition, the Pull-up Disable – PUD bit in MCUCR disables the pull-up function for all pins in all ports when set.

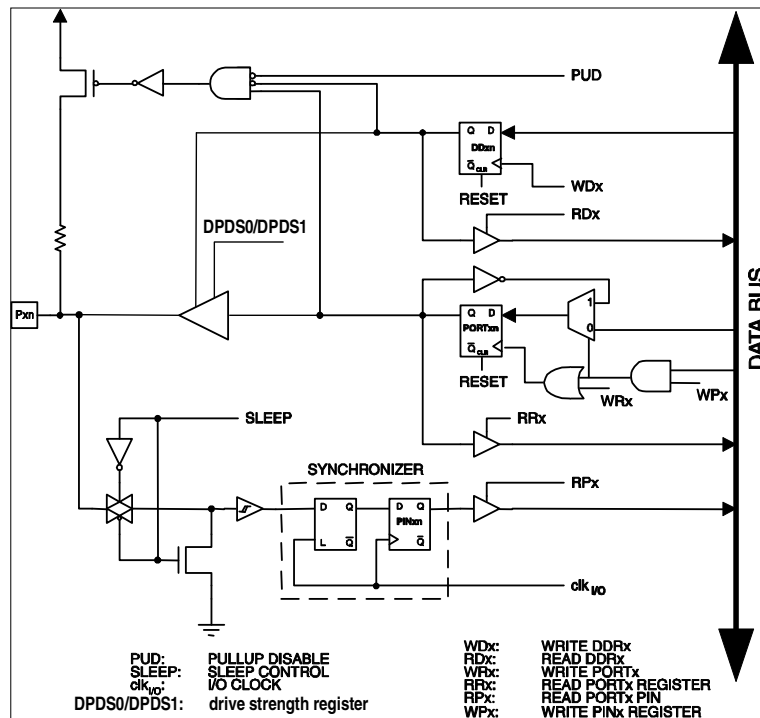
Using the I/O port as General Digital I/O is described in "[Ports as General Digital I/O](#)" on [page 218](#). Most port pins are multiplexed with alternate functions for the peripheral features on the device. How each alternate function interferes with the port pin is described in "[Alternate Port Functions](#)" on [page 222](#). Refer to the individual module sections for a full description of the alternate functions.

Note that enabling the alternate function of some of the port pins does not affect the use of the other pins in the port as general digital I/O.

## 14.2 Ports as General Digital I/O

The ports are bi-directional I/O ports with optional internal pull-ups. Figure 14-2 below shows a functional description of one I/O-port pin, here generically called Pxn.

**Figure 14-2.** General Digital I/O<sup>(1)</sup>



Note: 1. WRx, WPx, WDx, RRx, RPx, and RDx are common to all pins within the same port. clk<sub>I/O</sub>, SLEEP, and PUD are common to all ports.

### 14.2.1 Configuring the Port

Drive strength of output buffers is configurable port-wise. Source/sink capably of 2mA, 4mA, 6mA or 8mA is selectable through registers DPDS1 and DPDS0. Note that pins PG3 and PG4 of PORTG have fixed drive strength of 2mA to enable the operation of the low power crystal oscillator.

### 14.2.2 Configuring the Pin

Each port pin consists of three register bits: DDxn, PORTxn, and PINxn. The DDxn bits are accessed at the DDRx I/O address, the PORTxn bits at the PORTx I/O address, and the PINxn bits at the PINx I/O address.

The DDxn bit in the DDRx Register selects the direction of this pin. If DDxn is written logic one, Pxn is configured as an output pin. If DDxn is written logic zero, Pxn is configured as an input pin.

If PORTxn is written logic one when the pin is configured as an input pin, the pull-up resistor is activated. To switch the pull-up resistor off, PORTxn has to be written logic zero or the pin has to be configured as an output pin. The port pins are tri-stated when reset condition becomes active, even if no clocks are running.

If PORTxn is written logic one when the pin is configured as an output pin, the port pin is driven high (one). If PORTxn is written logic zero when the pin is configured as an output pin, the port pin is driven low (zero).

## 14.2.3 Toggling the Pin

Writing a logic one to PIN<sub>xn</sub> toggles the value of PORT<sub>xn</sub>, independent on the value of DDR<sub>xn</sub>. Note that the SBI instruction can be used to toggle one single bit in a port.

## 14.2.4 Switching Between Input and Output

When switching between tri-state ({DDR<sub>xn</sub>, PORT<sub>xn</sub>} = 0b00) and output high ({DDR<sub>xn</sub>, PORT<sub>xn</sub>} = 0b11), an intermediate state with either pull-up enabled {DDR<sub>xn</sub>, PORT<sub>xn</sub>} = 0b01) or output low ({DDR<sub>xn</sub>, PORT<sub>xn</sub>} = 0b10) must occur. Normally, the pull-up enabled state is fully acceptable, as a high-impedance environment will not notice the difference between a strong high driver and a pull-up. If this is not the case, the PUD bit in the MCUCR Register can be set to disable all pull-ups in all ports.

Switching between input with pull-up and output low generates the same problem. The user must use either the tri-state ({DDR<sub>xn</sub>, PORT<sub>xn</sub>} = 0b00) or the output high state ({DDR<sub>xn</sub>, PORT<sub>xn</sub>} = 0b11) as an intermediate step.

The following table summarizes the control signals for the pin value.

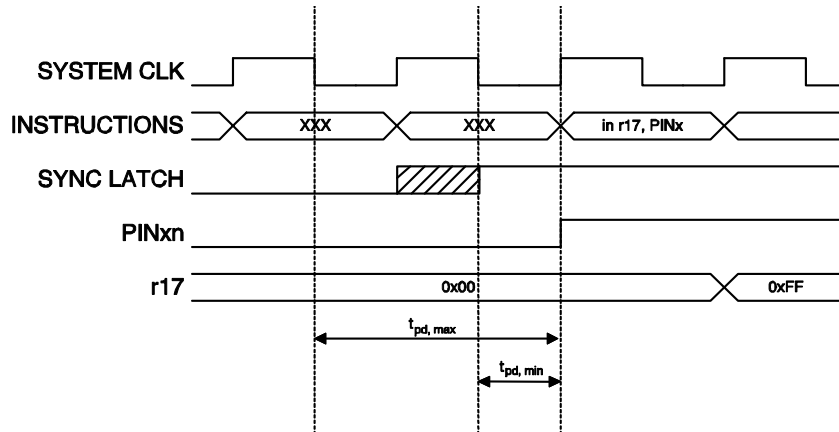
**Table 14-1. Port Pin Configurations**

| DD <sub>xn</sub> | PORT <sub>xn</sub> | PUD<br>(in MCUCR) | I/O    | Pull-up | Comment   |
|------------------|--------------------|-------------------|--------|---------|---|
| 0                | 0                  | X                 | Input  | No      | Tri-state (Hi-Z)  |
| 0                | 1                  | 0                 | Input  | Yes     | P <sub>xn</sub> will source current if ext. pulled low. |
| 0                | 1                  | 1                 | Input  | No      | Tri-state (Hi-Z)  |
| 1                | 0                  | X                 | Output | No      | Output Low (Sink)                                       |
| 1                | 1                  | X                 | Output | No      | Output High (Source)                                    |

## 14.2.5 Reading the Pin Value

Independent of the setting of Data Direction bit DD<sub>xn</sub>, the port pin can be read through the PIN<sub>xn</sub> Register bit. As shown in [Figure 14-2 on page 218](#), the PIN<sub>xn</sub> Register bit and the preceding latch constitute a synchronizer. This is needed to avoid meta-stability if the physical pin changes value near the edge of the internal clock, but it also introduces a delay. [Figure 14-3 on page 220](#) shows a timing diagram of the synchronization when reading an externally applied pin value. The maximum and minimum propagation delays are denoted t<sub>PD,MAX</sub> and t<sub>PD,MIN</sub> respectively.

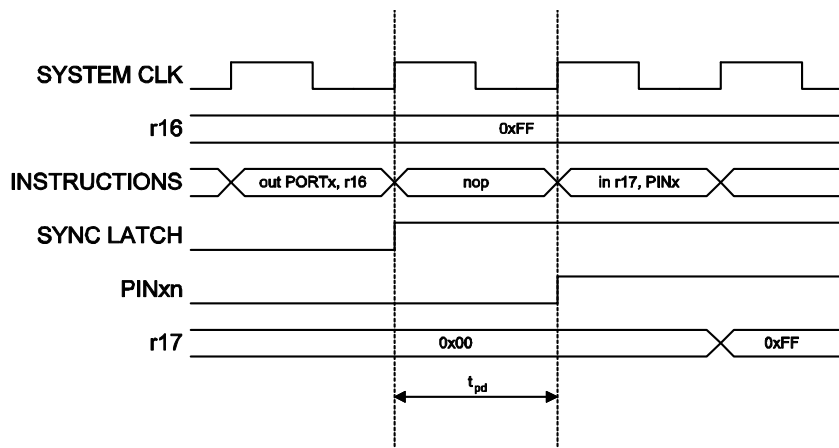
**Figure 14-3.** Synchronization when reading an external applied pin value



Consider the clock period starting shortly after the first falling edge of the system clock. The latch is closed when the clock is low, and goes transparent when the clock is high, as indicated by the shaded region of the “SYNC LATCH” signal. The signal value is latched when the system clock goes low. It is clocked into the PINxn Register at the succeeding positive clock edge. As indicated by the two arrows  $t_{PD,MAX}$  and  $t_{PD,MIN}$ , a single signal transition on the pin will be delayed between  $\frac{1}{2}$  and  $1\frac{1}{2}$  system clock period depending upon the time of assertion.

When reading back a software assigned pin value, a NOP instruction must be inserted as indicated in [Figure 14-4](#) below. The out instruction sets the “SYNC LATCH” signal at the positive edge of the clock. In this case, the delay  $t_{PD}$  through the synchronizer is 1 system clock period.

**Figure 14-4.** Synchronization when reading software assigned pin value



The following code example shows how to set port B pins 0 and 1 high, 2 and 3 low, and define the port pins from 4 to 7 as input with pull-ups assigned to port pins 6 and 7. The resulting pin values are read back again, but as previously discussed, a NOP instruction is included to be able to read back the value recently assigned to some of the pins.

## Assembly Code Example<sup>(1)</sup>

```

...
; Define pull-ups and set outputs high
; Define directions for port pins
ldi r16, (1<<PB7) | (1<<PB6) | (1<<PB1) | (1<<PB0)
ldi r17, (1<<DDB3) | (1<<DDB2) | (1<<DDB1) | (1<<DDB0)
out PORTB, r16
out DDRB, r17
; Insert nop for synchronization
nop
; Read port pins
in r16, PINB
...

```

## C Code Example

```

unsigned char i;
...
/* Define pull-ups and set outputs high */
/* Define directions for port pins */
PORTB = (1<<PB7) | (1<<PB6) | (1<<PB1) | (1<<PB0);
DDRB = (1<<DDB3) | (1<<DDB2) | (1<<DDB1) | (1<<DDB0);
/* Insert nop for synchronization*/
__no_operation();
/* Read port pins */
i = PINB;
...

```

Note: 1. For the assembly program, two temporary registers are used to minimize the time from pull-ups are set on pins 0, 1, 6, and 7, until the direction bits are correctly set, defining bit 2 and 3 as low and redefining bits 0 and 1 as strong high drivers.

## 14.2.6 Digital Input Enable and Sleep Modes

As shown in [Figure 14-2 on page 218](#), the digital input signal can be clamped to ground at the input of the Schmitt-Trigger. The signal denoted SLEEP in the figure, is set by the MCU Sleep Controller in Power-down mode, Power-save mode, and Standby mode to avoid high power consumption if some input signals are left floating, or have an analog signal level close to  $V_{DEVDD}/2$ .

SLEEP is overridden for port pins enabled as external interrupt pins. If the external interrupt request is not enabled, SLEEP is active also for these pins. SLEEP is also overridden by various other alternate functions as described in "[Alternate Port Functions](#)" on page 222.

If a logic high level ("one") is present on an asynchronous external interrupt pin configured as "Interrupt on Rising Edge, Falling Edge, or Any Logic Change on Pin" while the external interrupt is not enabled, the corresponding External Interrupt Flag will be set when resuming from the above mentioned Sleep mode, as the clamping in these sleep mode produces the requested logic change.

## 14.2.7 Unconnected Pins

If some pins are unused, it is recommended to ensure that these pins have a defined level. Even though most of the digital inputs are disabled in the deep sleep modes as

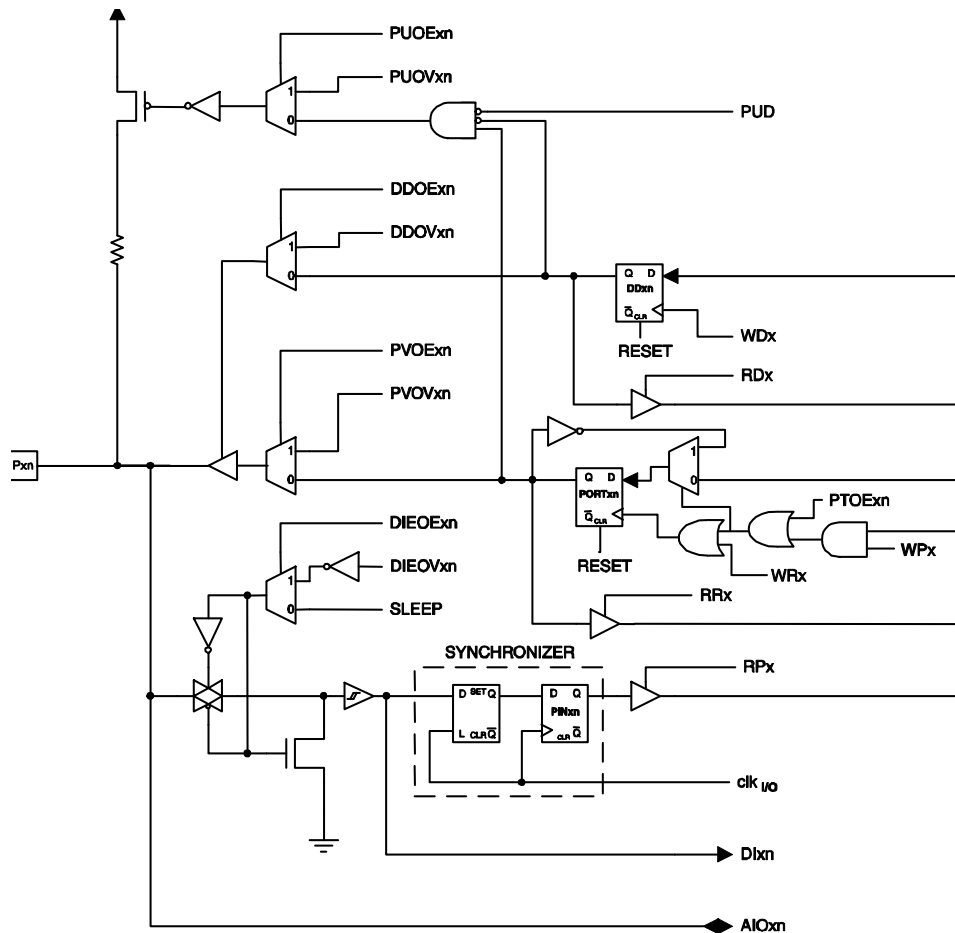
described above, floating inputs should be avoided to reduce current consumption in all other modes where the digital inputs are enabled (Reset-, Active- and Idle-mode).

The simplest method to ensure a defined level of an unused pin is to enable the internal pull-up. In this case, the pull-up will be disabled during reset. If low power consumption during reset is important, it is recommended to use an external pull-up or pull-down. Connecting unused pins directly to DEVDD or DVSS is not recommended, since this may cause excessive currents if the pin is accidentally configured as an output.

## 14.3 Alternate Port Functions

Most port pins have alternate functions in addition to being general digital I/O ports. Figure 14-5 below shows how the port pin control signals from the simplified Figure 14-2 on page 218 can be overridden by alternate functions. The overriding signals may not be present in all port pins, but the figure serves as a generic description applicable to all port pins in the AVR microcontroller family.

Figure 14-5. Alternate Port Functions <sup>(1)</sup>



PUExn: Pxn PULL-UP OVERRIDE ENABLE  
 PUEVxn: Pxn PULL-UP OVERRIDE VALUE  
 DDOExn: Pxn DATA DIRECTION OVERRIDE ENABLE  
 DDOVxn: Pxn DATA DIRECTION OVERRIDE VALUE  
 PVOExn: Pxn PORT VALUE OVERRIDE ENABLE  
 PVOVxn: Pxn PORT VALUE OVERRIDE VALUE

PUD: PULLUP DISABLE  
 WDx: WRITE DDRx  
 RDx: READ DDRx  
 RRx: READ PORTx REGISTER  
 WRx: WRITE PORTx  
 RPx: READ PORTx PIN

Note: 1. WR<sub>x</sub>, WP<sub>x</sub>, WD<sub>x</sub>, RR<sub>x</sub>, RP<sub>x</sub>, and RD<sub>x</sub> are common to all pins within the same port. clk<sub>I/O</sub>, SLEEP, and PUD are common to all ports. All other signals are unique for each pin.

The following table summarizes the function of the overriding signals. The pin and port indexes from Figure 14-5 on page 222 are not shown in the succeeding tables. The overriding signals are generated internally in the modules having the alternate function.

**Table 14-2. Generic Description of Overriding Signals for Alternate Functions**

| Signal Name | Full Name                            | Description  |
|-------------|--------------------------------------|--|
| PUOE        | Pull-up Override Enable              | If this signal is set, the pull-up enable is controlled by the PUOV signal. If this signal is cleared, the pull-up is enabled when {DD <sub>xn</sub> , PORT <sub>xn</sub> , PUD} = 0b010.  |
| PUOV        | Pull-up Override Value               | If PUOE is set, the pull-up is enabled/disabled when PUOV is set/cleared, regardless of the setting of the DD <sub>xn</sub> , PORT <sub>xn</sub> , and PUD Register bits.  |
| DDOE        | Data Direction Override Enable       | If this signal is set, the Output Driver Enable is controlled by the DDOV signal. If this signal is cleared, the Output driver is enabled by the DD <sub>xn</sub> Register bit.  |
| DDOV        | Data Direction Override Value        | If DDOE is set, the Output Driver is enabled/disabled when DDOV is set/cleared, regardless of the setting of the DD <sub>xn</sub> Register bit.  |
| PVOE        | Port Value Override Enable           | If this signal is set and the Output Driver is enabled, the port value is controlled by the PVOV signal. If PVOE is cleared, and the Output Driver is enabled, the port Value is controlled by the PORT <sub>xn</sub> Register bit.  |
| PVOV        | Port Value Override Value            | If PVOE is set, the port value is set to PVOV, regardless of the setting of the PORT <sub>xn</sub> Register bit.   |
| PTOE        | Port Toggle Override Enable          | If PTOE is set, the PORT <sub>xn</sub> Register bit is inverted.   |
| DIEOE       | Digital Input Enable Override Enable | If this bit is set, the Digital Input Enable is controlled by the DIEOV signal. If this signal is cleared, the Digital Input Enable is determined by MCU state (Normal mode, sleep mode).  |
| DIEOV       | Digital Input Enable Override Value  | If DIEOE is set, the Digital Input is enabled/disabled when DIEOV is set/cleared, regardless of the MCU state (Normal mode, sleep mode).   |
| DI          | Digital Input                        | This is the Digital Input to alternate functions. In the figure, the signal is connected to the output of the Schmitt-Trigger but before the synchronizer. Unless the Digital Input is used as a clock source, the module with the alternate function will use its own synchronizer. |
| AIO         | Analog Input/Output                  | This is the Analog Input/output to/from alternate functions. The signal is connected directly to the pad, and can be used bi-directionally.  |

The following subsections shortly describe the alternate functions for each port, and relate the overriding signals to the alternate function. Refer to the alternate function description for further details.

### 14.3.1 Alternate Functions of Port B

The Port B pins with alternate functions are shown in the following table.

**Table 14-3. Port B Pins Alternate Functions**

| Port Pin | Alternate Functions   |
|----------|---|
| PB7      | OC0A/OC1C/PCINT7 (Output Compare and PWM Output A for Timer/Counter0, Output Compare and PWM Output C for Timer/Counter1 or Pin Change Interrupt 7) |
| PB6      | OC1B/PCINT6 (Output Compare and PWM Output B for Timer/Counter1 or Pin Change Interrupt 6)  |
| PB5      | OC1A/PCINT5 (Output Compare and PWM Output A for Timer/Counter1 or Pin Change Interrupt 5)  |
| PB4      | OC2A/PCINT4 (Output Compare and PWM Output A for Timer/Counter2 or Pin Change Interrupt 4)  |
| PB3      | MISO/PDO/PCINT3 (SPI Bus Master Input/Slave Output, Programming Data Output or Pin Change Interrupt 3)  |
| PB2      | MOSI/PDI/PCINT2 (SPI Bus Master Output/Slave Input, Programming Data Input or Pin Change Interrupt 2)   |
| PB1      | SCK/PCINT1 (SPI Bus Serial Clock or Pin Change Interrupt 1)   |
| PB0      | SS/PCINT0 (SPI Slave Select input or Pin Change Interrupt 0)  |

The alternate pin configuration is as follows:

- **OC0A/OC1C/PCINT7, Bit 7**

OC0A, Output Compare Match A output: The PB7 pin can serve as an external output for the Timer/Counter0 Output Compare. The pin has to be configured as an output (DDB7 set “one”) to serve this function. The OC0A pin is also the output pin for the PWM mode timer function.

OC1C, Output Compare Match C output: The PB7 pin can serve as an external output for the Timer/Counter1 Output Compare C. The pin has to be configured as an output (DDB7 set (one)) to serve this function. The OC1C pin is also the output pin for the PWM mode timer function.

PCINT7, Pin Change Interrupt source 7: The PB7 pin can serve as an external interrupt source.

- **OC1B/PCINT6, Bit 6**

OC1B, Output Compare Match B output: The PB6 pin can serve as an external output for the Timer/Counter1 Output Compare B. The pin has to be configured as an output (DDB6 set (one)) to serve this function. The OC1B pin is also the output pin for the PWM mode timer function.

PCINT6, Pin Change Interrupt source 6: The PB6 pin can serve as an external interrupt source. OC1A, Output Compare Match A output: The PB5 pin can serve as an external output for the Timer/Counter1 Output Compare A. The pin has to be configured as an output (DDB5 set (one)) to serve this function. The OC1A pin is also the output pin for the PWM mode timer function.

PCINT5, Pin Change Interrupt source 5: The PB5 pin can serve as an external interrupt source.

- **OC2A/PCINT4, Bit 4**

OC2A, Output Compare Match output: The PB4 pin can serve as an external output for the Timer/Counter2 Output Compare. The pin has to be configured as an output (DDB4 set (one)) to serve this function. The OC2A pin is also the output pin for the PWM mode timer function.



PCINT4, Pin Change Interrupt source 4: The PB4 pin can serve as an external interrupt source.

- **MISO/PDO/PCINT3 – Port B, Bit 3**

MISO: Master Data input, Slave Data output pin for SPI channel. When the SPI is enabled as a master, this pin is configured as an input regardless of the setting of DDB3. When the SPI is enabled as a slave, the data direction of this pin is controlled by DDB3. When the pin is forced to be an input, the pull-up can still be controlled by the PORTB3 bit.

PDO, SPI Serial Programming Data Output. During Serial Program Downloading, this pin is used as data output line (see section "Serial Downloading" on page 519 for details).

PCINT3, Pin Change Interrupt source 3: The PB3 pin can serve as an external interrupt source.

- **MOSI/PDI/PCINT2 – Port B, Bit 2**

MOSI: SPI Master Data output, Slave Data input for SPI channel. When the SPI is enabled as a slave, this pin is configured as an input regardless of the setting of DDB2. When the SPI is enabled as a master, the data direction of this pin is controlled by DDB2. When the pin is forced to be an input, the pull-up can still be controlled by the PORTB2 bit.

PDI, SPI Serial Programming Data Input. During Serial Program Downloading, this pin is used as data input line (see section "Serial Downloading" on page 519 for details).

PCINT2, Pin Change Interrupt source 2: The PB2 pin can serve as an external interrupt source.

- **SCK/PCINT1 – Port B, Bit 1**

SCK: Master Clock output, Slave Clock input pin for SPI channel. When the SPI is enabled as a slave, this pin is configured as an input regardless of the setting of DDB1. When the SPI0 is enabled as a master, the data direction of this pin is controlled by DDB1. When the pin is forced to be an input, the pull-up can still be controlled by the PORTB1 bit.

PCINT1, Pin Change Interrupt source 1: The PB1 pin can serve as an external interrupt source.

- **SS/PCINT0 – Port B, Bit 0**

SS: Slave Port Select input. When the SPI is enabled as a slave, this pin is configured as an input regardless of the setting of DDB0. As a slave, the SPI is activated when this pin is driven low. When the SPI is enabled as a master, the data direction of this pin is controlled by DDB0. When the pin is forced to be an input, the pull-up can still be controlled by the PORTB0 bit.

Table 14-4 below and Table 14-5 on page 226 relate the alternate functions of Port B to the overriding signals shown in Figure 14-5 on page 222. SPI MSTR INPUT and SPI SLAVE OUTPUT constitute the MISO signal, while MOSI is divided into SPI MSTR OUTPUT and SPI SLAVE INPUT.

PCINT0, Pin Change Interrupt source 0: The PB0 pin can serve as an external interrupt source.

**Table 14-4.** Overriding Signals for Alternate Functions in PB7:PB4

| Signal Name | PB7/OC0A/OC1C | PB6/OC1B | PB5/OC1A | PB4/OC2A |
|-------------|---------------|----------|----------|----------|
| PUOE        | 0             | 0        | 0        | 0        |

| Signal Name | PB7/OC0A/OC1C   | PB6/OC1B     | PB5/OC1A     | PB4/OC2A     |
|-------------|-----------------|--------------|--------------|--------------|
| PUOV        | 0               | 0            | 0            | 0            |
| DDOE        | 0               | 0            | 0            | 0            |
| DDOV        | 0               | 0            | 0            | 0            |
| PVOE        | OC0/OC1C ENABLE | OC1B ENABLE  | OC1A ENABLE  | OC2A ENABLE  |
| PVOV        | OC0/OC1C        | OC1B         | OC1A         | OC2A         |
| DIEOE       | PCINT7•PCIE0    | PCINT6•PCIE0 | PCINT5•PCIE0 | PCINT4•PCIE0 |
| DIEOV       | 1               | 1            | 1            | 1            |
| DI          | PCINT7 INPUT    | PCINT6 INPUT | PCINT5 INPUT | PCINT4 INPUT |
| AIO         | –               | –            | –            | –            |

**Table 14-5.** Overriding Signals for Alternate Functions in PB3:PB0

| Signal Name | PB3/MISO/PDO                   | PB2/MOSI/PDI                    | PB1/SCK                   | PB0/SS                 |
|-------------|--------------------------------|---------------------------------|---------------------------|------------------------|
| PUOE        | SPE•MSTR                       | SPE•(~MSTR)                     | SPE•(~MSTR)               | SPE•(~MSTR)            |
| PUOV        | PORTB3•(~PUD)                  | PORTB2•(~PUD)                   | PORTB1•(~PUD)             | PORTB0•(~PUD)          |
| DDOE        | SPE•MSTR                       | SPE•(~MSTR)                     | SPE•(~MSTR)               | SPE•(~MSTR)            |
| DDOV        | 0                              | 0                               | 0                         | 0                      |
| PVOE        | SPE•(~MSTR)                    | SPE•MSTR                        | SPE•MSTR                  | 0                      |
| PVOV        | SPI SLAVE OUTPUT               | SPI MSTR OUTPUT                 | SCK OUTPUT                | 0                      |
| DIEOE       | PCINT3•PCIE0                   | PCINT2•PCIE0                    | PCINT1•PCIE0              | PCINT0•PCIE0           |
| DIEOV       | 1                              | 1                               | 1                         | 1                      |
| DI          | SPI MSTR INPUT<br>PCINT3 INPUT | SPI SLAVE INPUT<br>PCINT2 INPUT | SCK INPUT<br>PCINT1 INPUT | SPI SS PCINT0<br>INPUT |
| AIO         | –                              | –                               | –                         | –                      |

### 14.3.2 Alternate Functions of Port D

The Port D pins with alternate functions are shown in the following table.

**Table 14-6.** Port D Pins Alternate Functions

| Port Pin | Alternate Function   |
|----------|--|
| PD7      | T0 (Timer/Counter0 Clock Input)                              |
| PD6      | T1 (Timer/Counter1 Clock Input)                              |
| PD5      | XCK1 (USART1 External Clock Input/Output)                    |
| PD4      | ICP1 (Timer/Counter1 Input Capture Trigger)                  |
| PD3      | INT3/TXD1 (External Interrupt3 Input or USART1 Transmit Pin) |
| PD2      | INT2/RXD 1 (External Interrupt2 Input or USART1 Receive Pin) |
| PD1      | INT1/SDA (External Interrupt1 Input or TWI Serial Data)      |
| PD0      | INT0/SCL (External Interrupt0 Input or TWI Serial Clock)     |

The alternate pin configuration is as follows:

- **T0 – Port D, Bit 7**

T0, this is Timer/Counter0 counter source.

- **T1 – Port D, Bit 6**

T1, this is Timer/Counter1 counter source.

- **XCK1 – Port D, Bit 5**

XCK1, USART1 External clock: The Data Direction Register (DDD5) controls whether the clock is output (DDD5 set) or input (DDD5 cleared). The XCK1 pin is active only when the USART1 operates in Synchronous mode.

- **ICP1 – Port D, Bit 4**

ICP1 – Input Capture Pin 1: The PD4 pin can act as an input capture pin for Timer/Counter1.

- **INT3/TXD1 – Port D, Bit 3**

INT3, External Interrupt source 3: The PD3 pin can serve as an external interrupt source to the MCU.

TXD1, Transmit Data (Data output pin for the USART1). When the USART1 Transmitter is enabled, this pin is configured as an output regardless of the value of DDD3.

- **INT2/RXD1 – Port D, Bit 2**

INT2, External Interrupt source 2: The PD2 pin can serve as an External Interrupt source to the MCU.

RXD1, Receive Data (Data input pin for the USART1). When the USART1 receiver is enabled this pin is configured as an input regardless of the value of DDD2. When the USART forces this pin to be an input, the pull-up can still be controlled by the PORTD2 bit.

- **INT1/SDA – Port D, Bit 1**

INT1, External Interrupt source 1: The PD1 pin can serve as an external interrupt source to the MCU.

SDA, 2-wire Serial Interface Data: When the TWEN bit in TWCR is set (one) to enable the 2-wire Serial Interface, pin PD1 is disconnected from the port and becomes the Serial Data I/O pin for the 2-wire Serial Interface. In this mode, there is a spike filter on the pin to suppress spikes shorter than 50 ns on the input signal, and the pin is driven by an open drain driver with slew rate limitation.

- **INT0/SCL – Port D, Bit 0**

INT0, External Interrupt source 0: The PD0 pin can serve as an external interrupt source to the MCU.

SCL, 2-wire Serial Interface Clock: When the TWEN bit in TWCR is set (one) to enable the 2-wire Serial Interface, pin PD0 is disconnected from the port and becomes the Serial Clock I/O pin for the 2-wire Serial Interface. In this mode, there is a spike filter on the pin to suppress spikes shorter than 50 ns on the input signal, and the pin is driven by an open drain driver with slew-rate limitation.

[Table 14-7 below](#) and [Table 14-8 on page 228](#) relates the alternate functions of Port D to the overriding signals shown in [Figure 14-5 on page 222](#).

**Table 14-7.** Overriding Signals for Alternate Functions PD7:PD4

| Signal Name | PD7/T0 | PD6/T1 | PD5/XCK1           | PD4/ICP1 |
|-------------|--------|--------|--------------------|----------|
| PUOE        | 0      | 0      | 0                  | 0        |
| PUOV        | 0      | 0      | 0                  | 0        |
| DDOE        | 0      | 0      | XCK1 OUTPUT ENABLE | 0        |

| Signal Name | PD7/T0   | PD6/T1   | PD5/XCK1           | PD4/ICP1   |
|-------------|----------|----------|--------------------|------------|
| DDOV        | 0        | 0        | 1                  | 0          |
| PVOE        | 0        | 0        | XCK1 OUTPUT ENABLE | 0          |
| PVOV        | 0        | 0        | XCK1 OUTPUT        | 0          |
| DIEOE       | 0        | 0        | 0                  | 0          |
| DIEOV       | 0        | 0        | 0                  | 0          |
| DI          | T0 INPUT | T1 INPUT | XCK1 INPUT         | ICP1 INPUT |
| AIO         | –        | –        | –                  | –          |

**Table 14-8.** Overriding Signals for Alternate Functions PD3:PD0

| Signal Name | PD3/INT3/TXD1 | PD2/INT2/RXD1   | PD1/INT1/SDA  | PD0/INT0/SCL  |
|-------------|---------------|-----------------|---------------|---------------|
| PUOE        | TXEN1         | RXEN1           | TWEN          | TWEN          |
| PUOV        | 0             | PORTD2&(~PUD)   | PORTD1&(~PUD) | PORTD0&(~PUD) |
| DDOE        | TXEN1         | RXEN1           | TWEN          | TWEN          |
| DDOV        | 1             | 0               | SDA_OUT       | SCL_OUT       |
| PVOE        | TXEN1         | 0               | TWEN          | TWEN          |
| PVOV        | TXD1          | 0               | 0             | 0             |
| DIEOE       | INT3 ENABLE   | INT2 ENABLE     | INT1 ENABLE   | INT0 ENABLE   |
| DIEOV       | 1             | 1               | 1             | 1             |
| DI          | INT3 INPUT    | INT2 INPUT/RXD1 | INT1 INPUT    | INT0 INPUT    |
| AIO         | -             | -               | SDA INPUT     | SCL INPUT     |

Note: 1. When enabled, the 2-wire Serial Interface enables Slew-Rate controls on the output pins PD0 and PD1. This is not shown in this table. In addition, spike filters are connected between the AIO outputs shown in the port figure and the digital logic of the TWI module.

### 14.3.3 Alternate Functions of Port E

The Port E pins with alternate functions are shown in the following table.

**Table 14-9.** Port E Pins Alternate Functions

| Port Pin | Alternate Function   |
|----------|--|
| PE7      | INT7/ICP3/CLK0 (External Interrupt7 Input, Timer/Counter3 Input Capture Trigger or Divided System Clock) |
| PE6      | INT6/T3 (External Interrupt6 Input or Timer/Counter3 Clock Input)  |
| PE5      | INT5/OC3C (External Interrupt5 Input or Output Compare and PWM Output C for Timer/Counter3)              |
| PE4      | INT4/OC3B (External Interrupt4 Input or Output Compare and PWM Output B for Timer/Counter3)              |
| PE3      | AIN1/OC3A (Analog Comparator Negative Input or Output Compare and PWM Output A for Timer/Counter3)       |
| PE2      | AIN0/XCK0 (Analog Comparator or Positive Input or USART0 external clock input/output)                    |
| PE1      | TXD0 (USART0 Transmit Pin)   |

| Port Pin | Alternate Function  |
|----------|---|
| PE0      | RXD0/PCINT8 (USART0 Receive Pin or Pin Change Interrupt8) |

- **INT7/ICP3/CLKO – Port E, Bit 7**

INT7, External Interrupt source 7: The PE7 pin can serve as an external interrupt source.

ICP3, Input Capture Pin 3: The PE7 pin can act as an input capture pin for Timer/Counter3.

CLKO - Divided System Clock: The divided system clock can be output on the PE7 pin. The divided system clock will be output if the CKOUT Fuse is programmed, regardless of the PORTE7 and DDE7 settings. It will also be output during reset.

- **INT6/T3 – Port E, Bit 6**

INT6, External Interrupt source 6: The PE6 pin can serve as an external interrupt source.

T3, this is the Timer/Counter3 counter source.

- **INT5/OC3C – Port E, Bit 5**

INT5, External Interrupt source 5: The PE5 pin can serve as an External Interrupt source.

OC3C, Output Compare Match C output: The PE5 pin can serve as an External output for the Timer/Counter3 Output Compare C. The pin has to be configured as an output (DDE5 set "one") to serve this function. The OC3C pin is also the output pin for the PWM mode timer function.

- **INT4/OC3B – Port E, Bit 4**

INT4, External Interrupt source 4: The PE4 pin can serve as an External Interrupt source.

OC3B, Output Compare Match B output: The PE4 pin can serve as an External output for the Timer/Counter3 Output Compare B. The pin has to be configured as an output (DDE4 set (one)) to serve this function. The OC3B pin is also the output pin for the PWM mode timer function.

- **AIN1/OC3A – Port E, Bit 3**

AIN1 – Analog Comparator Negative input. This pin is directly connected to the negative input of the Analog Comparator.

OC3A, Output Compare Match A output: The PE3 pin can serve as an External output for the Timer/Counter3 Output Compare A. The pin has to be configured as an output (DDE3 set "one") to serve this function. The OC3A pin is also the output pin for the PWM mode timer function.

- **AIN0/XCK0 – Port E, Bit 2**

AIN0 – Analog Comparator Positive input. This pin is directly connected to the positive input of the Analog Comparator.

XCK0, this is the USART0 External clock. The Data Direction Register (DDE2) controls whether the clock is output (DDE2 set) or input (DDE2 cleared). The XCK0 pin is active only when the USART0 operates in Synchronous mode.

- **TXD0 – Port E, Bit 1**

TXD0, this is the USART0 Transmit pin.

- **RXD0/PCINT8 – Port E, Bit 0**

RXD0, USART0 Receive Pin. Receive Data (Data input pin for the USART0). When the USART0 receiver is enabled this pin is configured as an input regardless of the value of DDRE0. When the USART0 forces this pin to be an input, a logical one in PORTE0 will turn on the internal pull-up.

PCINT8, Pin Change Interrupt source 8: The PE0 pin can serve as an external interrupt source.

[Table 14-10 below](#) and [Table 14-11 below](#) relates the alternate functions of Port E to the overriding signals shown in [Figure 14-5 on page 222](#).

**Table 14-10.** Overriding Signals for Alternate Functions PE7:PE4

| Signal Name | PE7/INT7/ICP3           | PE6/INT6/T3           | PE5/INT5/OC3C | PE4/INT4/OC3B |
|-------------|-------------------------|-----------------------|---------------|---------------|
| PUOE        | 0                       | 0                     | 0             | 0             |
| PUOV        | 0                       | 0                     | 0             | 0             |
| DDOE        | 0                       | 0                     | 0             | 0             |
| DDOV        | 0                       | 0                     | 0             | 0             |
| PVOE        | 0                       | 0                     | OC3C ENABLE   | OC3B ENABLE   |
| PVOV        | 0                       | 0                     | OC3C          | OC3B          |
| DIEOE       | INT7 ENABLE             | INT6 ENABLE           | INT5 ENABLE   | INT4 ENABLE   |
| DIEOV       | 1                       | 1                     | 1             | 1             |
| DI          | INT7 INPUT / ICP3 INPUT | INT7 INPUT / T3 INPUT | INT5 INPUT    | INT4 INPUT    |
| AIO         | –                       | –                     | –             | –             |

**Table 14-11.** Overriding Signals for Alternate Functions PE3:PE0

| Signal Name | PE3/AIN1/OC3A | PE2/AIN0/XCK0      | PE1/TXD0 | PE0 / RXD0/PCINT8 |
|-------------|---------------|--------------------|----------|-------------------|
| PUOE        | 0             | 0                  | TXEN0    | RXEN0             |
| PUOV        | 0             | 0                  | 0        | PORTE0 & (~PUD)   |
| DDOE        | 0             | XCK0 OUTPUT ENABLE | TXEN0    | RXEN0             |
| DDOV        | 0             | 1                  | 1        | 0                 |
| PVOE        | OC3BENABLE    | XCK0 OUTPUT ENABLE | TXEN0    | 0                 |
| PVOV        | OC3B          | XCK0 OUTPUT        | TXD0     | 0                 |
| DIEOE       | 0             | 0                  | 0        | PCINT8 & PCIE1    |
| DIEOV       | 0             | 0                  | 0        | 1                 |
| DI          | 0             | XCK0 INPUT         | –        | RXD0              |
| PE0         | 0             | 0                  | 0        | PCINT8 INPUT      |
| AIO         | AIN1 INPUT    | AIN0 INPUT         | -        | -                 |

#### 14.3.4 Alternate Functions of Port F

The Port F has an alternate function as analog input for the ADC as shown in [Table 14-12 on page 231](#). If some Port F pins are configured as outputs, it is essential that these do not switch when a conversion is in progress. This might corrupt the result of the conversion. If the JTAG interface is enabled, the pull-up resistors on pins PF7(TDI), PF5(TMS), and PF4(TCK) will be activated even if a Reset occurs.

**Table 14-12.** Port F Pins Alternate Functions

| Port Pin | Alternate Function  |
|----------|---|
| PF7      | ADC7/TDI (ADC input channel 7 or JTAG Test Data Input)                                |
| PF6      | ADC6/TDO (ADC input channel 6 or JTAG Test Data Output)                               |
| PF5      | ADC5/TMS (ADC input channel 5 or JTAG Test Mode Select)                               |
| PF4      | ADC4/TCK (ADC input channel 4 or JTAG Test Clock)                                     |
| PF3      | ADC3/DIG4 (ADC input channel 3 or Radio Transceiver RX/TX Indicator Output)           |
| PF2      | ADC2/DIG2 (ADC input channel 2 or Radio Transceiver Antenna Diversity Control Output) |
| PF1      | ADC1 (ADC input channel 1)  |
| PF0      | ADC0 (ADC input channel 0)  |

- **TDI, ADC7 – Port F, Bit 7**

ADC7, Analog to Digital Converter, Channel 7.

TDI, JTAG Test Data In: Serial input data to be shifted in to the Instruction Register or Data Register (scan chains). When the JTAG interface is enabled, this pin can not be used as an I/O pin.

- **TDO, ADC6 – Port F, Bit 6**

ADC6, Analog to Digital Converter, Channel 6.

TDO, JTAG Test Data Out: Serial output data from Instruction Register or Data Register. When the JTAG interface is enabled, this pin can not be used as an I/O pin. The TDO pin is tri-stated unless TAP states that shift out data are entered.

- **TMS, ADC5 – Port F, Bit 5**

ADC5, Analog to Digital Converter, Channel 5.

TMS, JTAG Test Mode Select: This pin is used for navigating through the TAP-controller state machine. When the JTAG interface is enabled, this pin can not be used as an I/O pin.

- **TCK, ADC4 – Port F, Bit 4**

ADC4, Analog to Digital Converter, Channel 4.

TCK, JTAG Test Clock: JTAG operation is synchronous to TCK. When the JTAG interface is enabled, this pin can not be used as an I/O pin.

- **DIG4, ADC3 – Port F, Bit 3**

ADC3, Analog to Digital Converter, Channel 3.

DIG4, Radio Transceiver RX/TX Indicator Output: If the bit PA\_EXT\_EN in TRX\_CTRL\_1 is set to one then the PF3 pin serves as the Radio Transceiver receive/transmit indicator output to control an external RF front-end.

- **DIG2, ADC2 – Port F, Bit 2**

ADC2, Analog to Digital Converter, Channel 2.

DIG2, Radio Transceiver Antenna Diversity Control Output: If the bit ANT\_EXT\_SW\_EN in ANT\_DIV is set to one then the PF2 pin serves as a Radio Transceiver output to control External Antenna Diversity.

- **ADC1 – ADC0 – Port F, Bit 1:0**

Analog to Digital Converter, Channel 1:0.

**Table 14-13.** Overriding Signals for Alternate Functions PF7:PF4

| Signal Name | PF7/ADC7/TDI   | PF6/ADC6/TDO      | PF5/ADC5/TMS   | PF4/ADC4/TCK   |
|-------------|----------------|-------------------|----------------|----------------|
| PUOE        | JTAGEN         | JTAGEN            | JTAGEN         | JTAGEN         |
| PUOV        | 1              | 0                 | 1              | 1              |
| DDOE        | JTAGEN         | JTAGEN            | JTAGEN         | JTAGEN         |
| DDOV        | 0              | SHIFT_IR+SHIFT_DR | 0              | 0              |
| PVOE        | 0              | JTAGEN            | 0              | 0              |
| PVOV        | 0              | TDO               | 0              | 0              |
| DIEOE       | JTAGEN         | JTAGEN            | JTAGEN         | JTAGEN         |
| DIEOV       | 0              | 0                 | 0              | 0              |
| DI          | –              | –                 | –              | –              |
| AIO         | TDI/ADC7 INPUT | ADC6 INPUT        | TMS/ADC5 INPUT | TCK/ADC4 INPUT |

**Table 14-14.** Overriding Signals for Alternate Functions PF3:PF0

| Signal Name | PF3/ADC3/DIG4 | PF2/ADC2/DIG2 | PF1/ADC1   | PF0/ADC0   |
|-------------|---------------|---------------|------------|------------|
| PUOE        | 0             | 0             | 0          | 0          |
| PUOV        | 0             | 0             | 0          | 0          |
| DDOE        | PA_EXT_EN     | ANT_EXT_SW_EN | 0          | 0          |
| DDOV        | PA_EXT_EN     | ANT_EXT_SW_EN | 0          | 0          |
| PVOE        | PA_EXT_EN     | ANT_EXT_SW_EN | 0          | 0          |
| PVOV        | DIG4          | DIG2          | 0          | 0          |
| DIEOE       | 0             | 0             | 0          | 0          |
| DIEOV       | 0             | 0             | 0          | 0          |
| DI          | –             | –             | –          | –          |
| AIO         | ADC3 INPUT    | ADC2 INPUT    | ADC1 INPUT | ADC0 INPUT |

### 14.3.5 Alternate Functions of Port G

The Port G alternate pin configuration is as follows:

**Table 14-15.** Port G Pins Alternate Functions

| Port Pin | Alternate Function   |
|----------|--|
| PG5      | OC0B (Output Compare and PWM Output B for Timer/Counter0)        |
| PG4      | TOSC1 (RTC Oscillator Timer/Counter2)                            |
| PG3      | TOSC2 (RTC Oscillator Timer/Counter2)                            |
| PG2      | AMR (Automated Meter Reading - Counter Input for Timer/Counter2) |
| PG1      | DIG1 (Radio Transceiver Antenna Diversity Control Output)        |
| PG0      | DIG3 (Radio Transceiver RX/TX Indicator Output)                  |

- **OC0B – Port G, Bit 5**

OC0B, Output Compare match B output: The PG5 pin can serve as an external output for the Timer/Counter0 Output Compare. The pin has to be configured as an output (DDG5 set) to serve this function. The OC0B pin is also the output pin for the PWM mode timer function.

- **TOSC1 – Port G, Bit 4**



TOSC2, Timer Oscillator pin 1: Setting the AS2 bit to one and the EXCLKAMR bit to zero in ASSR, enables asynchronous clocking of Timer/Counter2 by a Crystal Oscillator. The pin PG4 is disconnected from the port, and becomes the input of the inverting Oscillator amplifier. In this mode, a Crystal Oscillator is connected to this pin, and the pin can not be used as an I/O pin.

### TOSC2 – Port G, Bit 3

TOSC2, Timer Oscillator pin 2: Setting the AS2 bit to one and the EXCLKAMR bit to zero in ASSR, enables asynchronous clocking of Timer/Counter2 by a Crystal Oscillator. The pin PG3 is disconnected from the port, and becomes the inverting output of the Oscillator amplifier. In this mode, a Crystal Oscillator is connected to this pin, and the pin can not be used as an I/O pin.

- **AMR – Port G, Bit 2**

AMR, Automated Meter Reading Input: Setting the AS2 and the EXCLKAMR bits in ASSR to one, enables asynchronous clocking of Timer/Counter2 by the AMR pin

- **DIG1 – Port G, Bit 1**

DIG1, Radio Transceiver Antenna Diversity Control Output: If the bit ANT\_EXT\_SW\_EN in ANT\_DIV is set to one then the PG1 pin serves as a Radio Transceiver output to control External Antenna Diversity.

- **DIG3 – Port G, Bit 0**

DIG3, Radio Transceiver RX/TX Indicator Output: If the bit PA\_EXT\_EN in TRX\_CTRL\_1 is set to one then the PG0 pin serves as the Radio Transceiver receive/transmit indicator output to control an external RF front-end.

[Table 14-16 below](#) relates the alternate functions of Port G to the overriding signals shown in [Figure 14-5 on page 222](#).

**Table 14-16.** Overriding Signals for Alternate Functions PG5:PG2

| Signal Name | PG5/OC0B    | PG4/TOSC1         | PG3/TOSC2                    | PG2/AMR        |
|-------------|-------------|-------------------|------------------------------|----------------|
| PUOE        | –           | AS2 & (~EXCLKAMR) | AS2 & (~EXCLKAMR) & (~EXCLK) | AS2 & EXCLKAMR |
| PUOV        | –           | 0                 | 0                            | 0              |
| DDOE        | –           | AS2 & (~EXCLKAMR) | AS2 & (~EXCLKAMR) & (~EXCLK) | AS2 & EXCLKAMR |
| DDOV        | –           | 0                 | 0                            | 0              |
| PVOE        | OC0B Enable | 0                 | 0                            | 0              |
| PVOV        | OC0B        | 0                 | 0                            | 0              |
| DIEOE       | –           | AS2 & (~EXCLKAMR) | AS2 & (~EXCLKAMR) & (~EXCLK) | AS2 & EXCLKAMR |
| DIEOV       | –           | EXCLK             | 0                            | 1              |
| DI          | –           | –                 | –                            | AMR            |
| AIO         | –           | T/C2<br>OSC INPUT | T/C2<br>OSC OUTPUT           | –              |

**Table 14-17.** Overriding Signals for Alternate Functions PG1:PG0

| Signal Name | PG1/DIG1      | PG0/DIG3  |
|-------------|---------------|-----------|
| PUOE        | 0             | 0         |
| PUOV        | 0             | 0         |
| DDOE        | ANT_EXT_SW_EN | PA_EXT_EN |
| DDOV        | ANT_EXT_SW_EN | PA_EXT_EN |
| PVOE        | ANT_EXT_SW_EN | PA_EXT_EN |
| PVOV        | DIG1          | DIG3      |
| DIEOE       | 0             | 0         |
| DIEOV       | 0             | 0         |
| DI          | –             | –         |
| AIO         | –             | –         |

## 14.4 Register Description

For a detailed description of register MCUCR see chapter ["MCUCR – MCU Control Register"](#) on page 247.

### 14.4.1 MCUCR – MCU Control Register

|               |   |   |   |     |   |   |   |   |       |
|---------------|---|---|---|-----|---|---|---|---|-------|
| Bit           | 7 | 6 | 5 | 4   | 3 | 2 | 1 | 0 |       |
| \$35 (\$55)   |   |   |   | PUD |   |   |   |   | MCUCR |
| Read/Write    |   |   |   | RW  |   |   |   |   |       |
| Initial Value |   |   |   | 0   |   |   |   |   |       |

The MCU Control Register contains control bits of the general Microcontroller Unit functions.

- **Bit 4 – PUD - Pull-up Disable**

When this bit is written to one, the I/O ports pull-up resistors are disabled even if the DDxn and PORTxn Registers are configured to enable the pull-up resistor ( $\{DDxn, PORTxn\} = 2'b01$ ). See section "Ports as General Digital I/O" for more details about this feature.

### 14.4.2 DPDS0 – Port Driver Strength Register 0

|               |        |        |        |        |        |        |        |        |       |
|---------------|--------|--------|--------|--------|--------|--------|--------|--------|-------|
| Bit           | 7      | 6      | 5      | 4      | 3      | 2      | 1      | 0      |       |
| NA (\$136)    | PFDRV1 | PFDRV0 | PEDRV1 | PEDRV0 | PDDRV1 | PDDRV0 | PBDRV1 | PBDRV0 | DPDS0 |
| Read/Write    | RW     | RW     | RW     | RW     | RW     | RW     | RW     | RW     |       |
| Initial Value | 0      | 0      | 0      | 0      | 0      | 0      | 0      | 0      |       |

The output driver strength can be set individually for each digital I/O port. The following tables show output current levels for a typical supply voltage of DEVDD = 3.3V. Refer to section "Electrical Characteristics" for details.

- **Bit 7:6 – PFDRV1:0 - Driver Strength Port F**

**Table 14-18 PFDRV Register Bits**

| Register Bits | Value | Description |
|---------------|-------|-------------|
| PFDRV1:0      | 0     | 2 mA        |
|               | 1     | 4 mA        |
|               | 2     | 6 mA        |
|               | 3     | 8 mA        |

- **Bit 5:4 – PEDRV1:0 - Driver Strength Port E**

**Table 14-19 PEDRV Register Bits**

| Register Bits | Value | Description |
|---------------|-------|-------------|
| PEDRV1:0      | 0     | 2 mA        |
|               | 1     | 4 mA        |
|               | 2     | 6 mA        |
|               | 3     | 8 mA        |

- **Bit 3:2 – PDDRV1:0 - Driver Strength Port D**

**Table 14-20 PDDRV Register Bits**

| Register Bits | Value | Description |
|---------------|-------|-------------|
| PDDRV1:0      | 0     | 2 mA        |
|               | 1     | 4 mA        |
|               | 2     | 6 mA        |
|               | 3     | 8 mA        |

- **Bit 1:0 – PBDRV1:0 - Driver Strength Port B**

**Table 14-21 PBDRV Register Bits**

| Register Bits | Value | Description |
|---------------|-------|-------------|
| PBDRV1:0      | 0     | 2 mA        |
|               | 1     | 4 mA        |
|               | 2     | 6 mA        |
|               | 3     | 8 mA        |

### 14.4.3 DPDS1 – Port Driver Strength Register 1

|               |             |             |             |             |             |             |               |               |              |
|---------------|-------------|-------------|-------------|-------------|-------------|-------------|---------------|---------------|--------------|
| Bit           | 7           | 6           | 5           | 4           | 3           | 2           | 1             | 0             |              |
| NA (\$137)    | <b>Res5</b> | <b>Res4</b> | <b>Res3</b> | <b>Res2</b> | <b>Res1</b> | <b>Res0</b> | <b>PGDRV1</b> | <b>PGDRV0</b> | <b>DPDS1</b> |
| Read/Write    | R           | R           | R           | R           | R           | R           | RW            | RW            |              |
| Initial Value | 0           | 0           | 0           | 0           | 0           | 0           | 0             | 0             |              |

The output driver strength can be set individually for each digital I/O port. The following table shows output current levels for a typical supply voltage of DEVDD = 3.3V. Refer to section "Electrical Characteristics" for details.

- **Bit 7:2 – Res5:0 - Reserved**
- **Bit 1:0 – PGDRV1:0 - Driver Strength Port G**

Driver strength can be set for port G except the port pins PG3 and PG4. The leakage current of the ports PG3 and PG4 is reduced.

**Table 14-22 PGDRV Register Bits**

| Register Bits | Value | Description |
|---------------|-------|-------------|
| PGDRV1:0      | 0     | 2 mA        |
|               | 1     | 4 mA        |
|               | 2     | 6 mA        |
|               | 3     | 8 mA        |

#### 14.4.4 PORTB – Port B Data Register

| Bit           | 7               | 6  | 5  | 4  | 3  | 2  | 1  | 0  |              |
|---------------|-----------------|----|----|----|----|----|----|----|--------------|
| \$05 (\$25)   | <b>PORTB7:0</b> |    |    |    |    |    |    |    | <b>PORTB</b> |
| Read/Write    | RW              | RW | RW | RW | RW | RW | RW | RW |              |
| Initial Value | 0               | 0  | 0  | 0  | 0  | 0  | 0  | 0  |              |

If PORTBn is written logic one when the PORTB pin n is configured as an input pin, the pull-up resistor is activated. To switch the pull-up resistor off, PORTBn has to be written logic zero or the pin has to be configured as an output pin. If PORTBn is written logic one when the pin is configured as an output pin, the port pin is driven high (one). If PORTBn is written logic zero when the pin is configured as an output pin, the port pin is driven low (zero).

- **Bit 7:0 – PORTB7:0 - Port B Data Register Value**

#### 14.4.5 DDRB – Port B Data Direction Register

| Bit           | 7           | 6           | 5           | 4           | 3           | 2           | 1           | 0           |             |
|---------------|-------------|-------------|-------------|-------------|-------------|-------------|-------------|-------------|-------------|
| \$04 (\$24)   | <b>DDB7</b> | <b>DDB6</b> | <b>DDB5</b> | <b>DDB4</b> | <b>DDB3</b> | <b>DDB2</b> | <b>DDB1</b> | <b>DDB0</b> | <b>DDRb</b> |
| Read/Write    | RW          | RW          | RW          | RW          | RW          | RW          | RW          | RW          |             |
| Initial Value | 0           | 0           | 0           | 0           | 0           | 0           | 0           | 0           |             |

The DDBn bit in the DDRB Register selects the direction of the PORTB pin n. If DDBn is written logic one, PBN is configured as an output pin. If DDBn is written logic zero, PBN is configured as an input pin.

- **Bit 7:0 – DDB7:0 - Port B Data Direction Register Value**

#### 14.4.6 PINB – Port B Input Pins Address

| Bit           | 7              | 6 | 5 | 4 | 3 | 2 | 1 | 0 |             |
|---------------|----------------|---|---|---|---|---|---|---|-------------|
| \$03 (\$23)   | <b>PINB7:0</b> |   |   |   |   |   |   |   | <b>PINB</b> |
| Read/Write    | R              | R | R | R | R | R | R | R |             |
| Initial Value | 0              | 0 | 0 | 0 | 0 | 0 | 0 | 0 |             |

This register allows access to the PORTB pins independent of the setting of the Data Direction bit DDBn. The port pin can be read through the PINBn Register bit, and writing a logic one to PINBn toggles the value of PORTBn.

- **Bit 7:0 – PINB7:0 - Port B Input Pins Value**

## 14.4.7 PORTD – Port D Data Register

|               |                 |    |    |    |    |    |    |    |              |
|---------------|-----------------|----|----|----|----|----|----|----|--------------|
| Bit           | 7               | 6  | 5  | 4  | 3  | 2  | 1  | 0  |              |
| \$0B (\$2B)   | <b>PORTD7:0</b> |    |    |    |    |    |    |    | <b>PORTD</b> |
| Read/Write    | RW              | RW | RW | RW | RW | RW | RW | RW |              |
| Initial Value | 0               | 0  | 0  | 0  | 0  | 0  | 0  | 0  |              |

If PORTDn is written logic one when the PORTD pin n is configured as an input pin, the pull-up resistor is activated. To switch the pull-up resistor off, PORTDn has to be written logic zero or the pin has to be configured as an output pin. If PORTDn is written logic one when the pin is configured as an output pin, the port pin is driven high (one). If PORTDn is written logic zero when the pin is configured as an output pin, the port pin is driven low (zero).

- **Bit 7:0 – PORTD7:0 - Port D Data Register Value**

## 14.4.8 DDRD – Port D Data Direction Register

|               |             |             |             |             |             |             |             |             |             |
|---------------|-------------|-------------|-------------|-------------|-------------|-------------|-------------|-------------|-------------|
| Bit           | 7           | 6           | 5           | 4           | 3           | 2           | 1           | 0           |             |
| \$0A (\$2A)   | <b>DDD7</b> | <b>DDD6</b> | <b>DDD5</b> | <b>DDD4</b> | <b>DDD3</b> | <b>DDD2</b> | <b>DDD1</b> | <b>DDD0</b> | <b>DDRD</b> |
| Read/Write    | RW          | RW          | RW          | RW          | RW          | RW          | RW          | RW          |             |
| Initial Value | 0           | 0           | 0           | 0           | 0           | 0           | 0           | 0           |             |

The DDDn bit in the DDRD Register selects the direction of the PORTD pin n. If DDDn is written logic one, PDn is configured as an output pin. If DDDn is written logic zero, PDn is configured as an input pin.

- **Bit 7:0 – DDD7:0 - Port D Data Direction Register Value**

## 14.4.9 PIND – Port D Input Pins Address

|               |                |   |   |   |   |   |   |   |             |
|---------------|----------------|---|---|---|---|---|---|---|-------------|
| Bit           | 7              | 6 | 5 | 4 | 3 | 2 | 1 | 0 |             |
| \$09 (\$29)   | <b>PIND7:0</b> |   |   |   |   |   |   |   | <b>PIND</b> |
| Read/Write    | R              | R | R | R | R | R | R | R |             |
| Initial Value | 0              | 0 | 0 | 0 | 0 | 0 | 0 | 0 |             |

This register allows access to the PORTD pins independent of the setting of the Data Direction bit DDDn. The port pin can be read through the PINDn Register bit, and writing a logic one to PINDn toggles the value of PORTDn.

- **Bit 7:0 – PIND7:0 - Port D Input Pins Value**

## 14.4.10 PORTE – Port E Data Register

|               |                 |    |    |    |    |    |    |    |              |
|---------------|-----------------|----|----|----|----|----|----|----|--------------|
| Bit           | 7               | 6  | 5  | 4  | 3  | 2  | 1  | 0  |              |
| \$0E (\$2E)   | <b>PORTE7:0</b> |    |    |    |    |    |    |    | <b>PORTE</b> |
| Read/Write    | RW              | RW | RW | RW | RW | RW | RW | RW |              |
| Initial Value | 0               | 0  | 0  | 0  | 0  | 0  | 0  | 0  |              |

If PORTEn is written logic one when the PORTE pin n is configured as an input pin, the pull-up resistor is activated. To switch the pull-up resistor off, PORTEn has to be written logic zero or the pin has to be configured as an output pin. If PORTEn is written logic one when the pin is configured as an output pin, the port pin is driven high (one). If PORTEn is written logic zero when the pin is configured as an output pin, the port pin is driven low (zero).

- **Bit 7:0 – PORTE7:0 - Port E Data Register Value**

#### 14.4.11 DDRE – Port E Data Direction Register

| Bit           | 7           | 6  | 5  | 4  | 3  | 2  | 1  | 0  |             |
|---------------|-------------|----|----|----|----|----|----|----|-------------|
| \$0D (\$2D)   | <b>DDRE</b> |    |    |    |    |    |    |    | <b>DDRE</b> |
| Read/Write    | RW          | RW | RW | RW | RW | RW | RW | RW |             |
| Initial Value | 0           | 0  | 0  | 0  | 0  | 0  | 0  | 0  |             |

The DDEn bit in the DDRE Register selects the direction of the PORTE pin n. If DDEn is written logic one, PEN is configured as an output pin. If DDEn is written logic zero, PEN is configured as an input pin.

- **Bit 7:0 – DDE7:0 - Port E Data Direction Register Value**

#### 14.4.12 PINE – Port E Input Pins Address

| Bit           | 7              | 6 | 5 | 4 | 3 | 2 | 1 | 0 |             |
|---------------|----------------|---|---|---|---|---|---|---|-------------|
| \$0C (\$2C)   | <b>PINE7:0</b> |   |   |   |   |   |   |   | <b>PINE</b> |
| Read/Write    | R              | R | R | R | R | R | R | R |             |
| Initial Value | 0              | 0 | 0 | 0 | 0 | 0 | 0 | 0 |             |

This register allows access to the PORTE pins independent of the setting of the Data Direction bit DDEn. The port pin can be read through the PINEn Register bit, and writing a logic one to PINEn toggles the value of PORTEn.

- **Bit 7:0 – PINE7:0 - Port E Input Pins Value**

#### 14.4.13 PORTF – Port F Data Register

| Bit           | 7               | 6  | 5  | 4  | 3  | 2  | 1  | 0  |              |
|---------------|-----------------|----|----|----|----|----|----|----|--------------|
| \$11 (\$31)   | <b>PORTF7:0</b> |    |    |    |    |    |    |    | <b>PORTF</b> |
| Read/Write    | RW              | RW | RW | RW | RW | RW | RW | RW |              |
| Initial Value | 0               | 0  | 0  | 0  | 0  | 0  | 0  | 0  |              |

If PORTFn is written logic one when the PORTF pin n is configured as an input pin, the pull-up resistor is activated. To switch the pull-up resistor off, PORTFn has to be written logic zero or the pin has to be configured as an output pin. If PORTFn is written logic one when the pin is configured as an output pin, the port pin is driven high (one). If PORTFn is written logic zero when the pin is configured as an output pin, the port pin is driven low (zero).

- **Bit 7:0 – PORTF7:0 - Port F Data Register Value**

## 14.4.14 DDRF – Port F Data Direction Register

|               |  |    |    |    |    |    |    |    |             |
|---------------|--|----|----|----|----|----|----|----|-------------|
| Bit           | 7  | 6  | 5  | 4  | 3  | 2  | 1  | 0  |             |
| \$10 (\$30)   | <b>DDF7 DDF6 DDF5 DDF4 DDF3 DDF2 DDF1 DDF0</b> |    |    |    |    |    |    |    | <b>DDRF</b> |
| Read/Write    | RW   | RW | RW | RW | RW | RW | RW | RW |             |
| Initial Value | 0  | 0  | 0  | 0  | 0  | 0  | 0  | 0  |             |

The DDFn bit in the DDRF Register selects the direction of the PORTF pin n. If DDFn is written logic one, PFn is configured as an output pin. If DDFn is written logic zero, PFn is configured as an input pin.

- **Bit 7:0 – DDF7:0 - Port F Data Direction Register Value**

## 14.4.15 PINF – Port F Input Pins Address

|               |                |   |   |   |   |   |   |   |             |
|---------------|----------------|---|---|---|---|---|---|---|-------------|
| Bit           | 7              | 6 | 5 | 4 | 3 | 2 | 1 | 0 |             |
| \$0F (\$2F)   | <b>PINF7:0</b> |   |   |   |   |   |   |   | <b>PINF</b> |
| Read/Write    | R              | R | R | R | R | R | R | R |             |
| Initial Value | 0              | 0 | 0 | 0 | 0 | 0 | 0 | 0 |             |

This register allows access to the PORTF pins independent of the setting of the Data Direction bit DDFn. The port pin can be read through the PINFn Register bit, and writing a logic one to PINFn toggles the value of PORTFn.

- **Bit 7:0 – PINF7:0 - Port F Input Pins Value**

## 14.4.16 PORTG – Port G Data Register

|               |             |             |               |               |               |               |               |               |              |
|---------------|-------------|-------------|---------------|---------------|---------------|---------------|---------------|---------------|--------------|
| Bit           | 7           | 6           | 5             | 4             | 3             | 2             | 1             | 0             |              |
| \$14 (\$34)   | <b>Res1</b> | <b>Res0</b> | <b>PORTG5</b> | <b>PORTG4</b> | <b>PORTG3</b> | <b>PORTG2</b> | <b>PORTG1</b> | <b>PORTG0</b> | <b>PORTG</b> |
| Read/Write    | R           | R           | RW            | RW            | RW            | RW            | RW            | RW            |              |
| Initial Value | 0           | 0           | 0             | 0             | 0             | 0             | 0             | 0             |              |

If PORTGn is written logic one when the PORTG pin n is configured as an input pin, the pull-up resistor is activated. To switch the pull-up resistor off, PORTGn has to be written logic zero or the pin has to be configured as an output pin. If PORTGn is written logic one when the pin is configured as an output pin, the port pin is driven high (one). If PORTGn is written logic zero when the pin is configured as an output pin, the port pin is driven low (zero).

- **Bit 7:6 – Res1:0 - Reserved Bit**

This bit is reserved for future use. A read access always will return zero. A write access does not modify the content.

- **Bit 5:0 – PORTG5:0 - Port G Data Register Value**

## 14.4.17 DDRG – Port G Data Direction Register

| Bit           | 7           | 6           | 5           | 4           | 3           | 2           | 1           | 0           |             |
|---------------|-------------|-------------|-------------|-------------|-------------|-------------|-------------|-------------|-------------|
| \$13 (\$33)   | <b>Res1</b> | <b>Res0</b> | <b>DDG5</b> | <b>DDG4</b> | <b>DDG3</b> | <b>DDG2</b> | <b>DDG1</b> | <b>DDG0</b> | <b>DDRG</b> |
| Read/Write    | R           | R           | RW          | RW          | RW          | RW          | RW          | RW          |             |
| Initial Value | 0           | 0           | 0           | 0           | 0           | 0           | 0           | 0           |             |

The DDG<sub>n</sub> bit in the DDRG Register selects the direction of the PORTG pin n. If DDG<sub>n</sub> is written logic one, PG<sub>n</sub> is configured as an output pin. If DDG<sub>n</sub> is written logic zero, PG<sub>n</sub> is configured as an input pin.

- **Bit 7:6 – Res1:0 - Reserved Bit**

This bit is reserved for future use. A read access always will return zero. A write access does not modify the content.

- **Bit 5:0 – DDG5:0 - Port G Data Direction Register Value**

## 14.4.18 PING – Port G Input Pins Address

| Bit           | 7           | 6           | 5            | 4            | 3            | 2            | 1            | 0            |             |
|---------------|-------------|-------------|--------------|--------------|--------------|--------------|--------------|--------------|-------------|
| \$12 (\$32)   | <b>Res1</b> | <b>Res0</b> | <b>PING5</b> | <b>PING4</b> | <b>PING3</b> | <b>PING2</b> | <b>PING1</b> | <b>PING0</b> | <b>PING</b> |
| Read/Write    | R           | R           | R            | R            | R            | R            | R            | R            |             |
| Initial Value | 0           | 0           | 0            | 0            | 0            | 0            | 0            | 0            |             |

This register allows access to the PORTG pins independent of the setting of the Data Direction bit DDG<sub>n</sub>. The port pin can be read through the PING<sub>n</sub> Register bit, and writing a logic one to PING<sub>n</sub> toggles the value of PORTG<sub>n</sub>.

- **Bit 7:6 – Res1:0 - Reserved Bit**

This bit is reserved for future use. A read access always will return zero. A write access does not modify the content.

- **Bit 5:0 – PING5:0 - Port G Input Pins Value**



## 15 Interrupts

This section describes the specifics of the interrupt handling as performed in ATmega2564/1284/644RFR2. For a general explanation of the AVR interrupt handling, refer to ["Reset and Interrupt Handling"](#) on page 15.

### 15.1 Interrupt Vectors in ATmega2564/1284/644RFR2

**Table 15-1.** Reset and Interrupt Vectors

| Vector No. | Program Address <sup>(2)</sup> | Source       | Interrupt Definition  |
|------------|--------------------------------|--------------|---|
| 0          | \$0000 <sup>(1)</sup>          | RESET        | External Pin, Power-on Reset, Brown-out Reset, Watchdog Reset, and JTAG AVR Reset |
| 1          | \$0002                         | INT0         | External Interrupt Request 0  |
| 2          | \$0004                         | INT1         | External Interrupt Request 1  |
| 3          | \$0006                         | INT2         | External Interrupt Request 2  |
| 4          | \$0008                         | INT3         | External Interrupt Request 3  |
| 5          | \$000A                         | INT4         | External Interrupt Request 4  |
| 6          | \$000C                         | INT5         | External Interrupt Request 5  |
| 7          | \$000E                         | INT6         | External Interrupt Request 6  |
| 8          | \$0010                         | INT7         | External Interrupt Request 7  |
| 9          | \$0012                         | PCINT0       | Pin Change Interrupt Request 0  |
| 10         | \$0014                         | PCINT1       | Pin Change Interrupt Request 1  |
| 11         | \$0016 <sup>(3)</sup>          | PCINT2       | Pin Change Interrupt Request 2  |
| 12         | \$0018                         | WDT          | Watchdog Time-out Interrupt   |
| 13         | \$001A                         | TIMER2_COMPA | Timer/Counter2 Compare Match A  |
| 14         | \$001C                         | TIMER2_COMPB | Timer/Counter2 Compare Match B  |
| 15         | \$001E                         | TIMER2_OVF   | Timer/Counter2 Overflow   |
| 16         | \$0020                         | TIMER1_CAPT  | Timer/Counter1 Capture Event  |
| 17         | \$0022                         | TIMER1_COMPA | Timer/Counter1 Compare Match A  |
| 18         | \$0024                         | TIMER1_COMPB | Timer/Counter1 Compare Match B  |
| 19         | \$0026                         | TIMER1_COMPC | Timer/Counter1 Compare Match C  |
| 20         | \$0028                         | TIMER1_OVF   | Timer/Counter1 Overflow   |
| 21         | \$002A                         | TIMER0_COMPA | Timer/Counter0 Compare Match A  |
| 22         | \$002C                         | TIMER0_COMPB | Timer/Counter0 Compare match B  |
| 23         | \$002E                         | TIMER0_OVF   | Timer/Counter0 Overflow   |
| 24         | \$0030                         | SPI_STC      | SPI Serial Transfer Complete  |
| 25         | \$0032                         | USART0_RX    | USART0 Rx Complete  |
| 26         | \$0034                         | USART0_UDRE  | USART0 Data Register Empty  |
| 27         | \$0036                         | USART0_TX    | USART0 Tx Complete  |
| 28         | \$0038                         | ANALOG_COMP  | Analog Comparator   |

| Vector No. | Program Address <sup>(2)</sup> | Source            | Interrupt Definition                   |
|------------|--------------------------------|-------------------|--|
| 29         | \$003A                         | ADC               | ADC Conversion Complete                |
| 30         | \$003C                         | EE_READY          | EEPROM Ready                           |
| 31         | \$003E                         | TIMER3_CAPT       | Timer/Counter3 Capture Event           |
| 32         | \$0040                         | TIMER3_COMPA      | Timer/Counter3 Compare Match A         |
| 33         | \$0042                         | TIMER3_COMPB      | Timer/Counter3 Compare Match B         |
| 34         | \$0044                         | TIMER3_COMPC      | Timer/Counter3 Compare Match C         |
| 35         | \$0046                         | TIMER3_OVF        | Timer/Counter3 Overflow                |
| 36         | \$0048                         | USART1_RX         | USART1 Rx Complete                     |
| 37         | \$004A                         | USART1_UDRE       | USART1 Data Register Empty             |
| 38         | \$004C                         | USART1_TX         | USART1 Tx Complete                     |
| 39         | \$004E                         | TWI               | 2-wire Serial Interface                |
| 40         | \$0050                         | SPM_READY         | Store Program Memory Ready             |
| 41         | \$0052 <sup>(3)</sup>          | TIMER4_CAPT       | Timer/Counter4 Capture Event           |
| 42         | \$0054                         | TIMER4_COMPA      | Timer/Counter4 Compare Match A         |
| 43         | \$0056                         | TIMER4_COMPB      | Timer/Counter4 Compare Match B         |
| 44         | \$0058                         | TIMER4_COMPC      | Timer/Counter4 Compare Match C         |
| 45         | \$005A                         | TIMER4_OVF        | Timer/Counter4 Overflow                |
| 46         | \$005C <sup>(3)</sup>          | TIMER5_CAPT       | Timer/Counter5 Capture Event           |
| 47         | \$005E                         | TIMER5_COMPA      | Timer/Counter5 Compare Match A         |
| 48         | \$0060                         | TIMER5_COMPB      | Timer/Counter5 Compare Match B         |
| 49         | \$0062                         | TIMER5_COMPC      | Timer/Counter5 Compare Match C         |
| 50         | \$0064                         | TIMER5_OVF        | Timer/Counter5 Overflow                |
| 51         | \$0066 <sup>(3)</sup>          | Reserved          |  |
| 52         | \$0068 <sup>(3)</sup>          | Reserved          |  |
| 53         | \$006A <sup>(3)</sup>          | Reserved          |  |
| 54         | \$006C <sup>(3)</sup>          | Reserved          |  |
| 55         | \$006E <sup>(3)</sup>          | Reserved          |  |
| 56         | \$0070 <sup>(3)</sup>          | Reserved          |  |
| 57         | \$0072                         | TRX24_PLL_LOCK    | Transceiver PLL Lock                   |
| 58         | \$0074                         | TRX24_PLL_UNLOCK  | Transceiver PLL Unlock                 |
| 59         | \$0076                         | TRX24_RX_START    | Transceiver Receive Start              |
| 60         | \$0078                         | TRX24_RX_END      | Transceiver Receive End                |
| 61         | \$007A                         | TRX24_CCA_ED_DONE | Transceiver CCAED Measurement finished |
| 62         | \$007C                         | TRX24_XAH_AMI     | Transceiver Frame Address Match        |
| 63         | \$007E                         | TRX24_TX_END      | Transceiver Transmit End               |
| 64         | \$0080                         | TRX24_AWAKE       | Transceiver Wakeup finished            |

| Vector No. | Program Address <sup>(2)</sup> | Source         | Interrupt Definition                |
|------------|--------------------------------|----------------|-------------------------------------|
| 65         | \$0082                         | SCNT_CMP1      | Symbol Counter Compare Match 1      |
| 66         | \$0084                         | SCNT_CMP 2     | Symbol Counter Compare Match 2      |
| 67         | \$0086                         | SCNT_CMP 3     | Symbol Counter Compare Match 3      |
| 68         | \$0088                         | SCNT_OVFL      | Symbol Counter Overflow             |
| 69         | \$008A                         | SCNT_BACKOFF   | Symbol Counter Backoff Slot Counter |
| 70         | \$008C                         | AES_READY      | AES Encryption Ready                |
| 71         | \$008E                         | BAT_LOW        | Battery Monitor Alert               |
| 72         | \$0090                         | TRX24_TX_START | Transceiver Transmit Start          |
| 73         | \$0092                         | TRX24_AMI0     | Transceiver Address Match Filter 0  |
| 74         | \$0094                         | TRX24_AMI1     | Transceiver Address Match Filter 1  |
| 75         | \$0096                         | TRX24_AMI2     | Transceiver Address Match Filter 2  |
| 76         | \$0098                         | TRX24_AMI3     | Transceiver Address Match Filter 3  |

- Note:
1. When the BOTRST Fuse is programmed, the device will jump to the Boot Loader address at reset, see ["Memory Programming" on page 502](#).
  2. When the IVSEL bit in MCUCR is set, Interrupt Vectors will be moved to the start of the Boot Flash Section. The address of each Interrupt Vector will then be the address in this table added to the start address of the Boot Flash Section.
  3. Not useful in ATmega2564/1284/644RFR2 due to limited pin count.

## 15.2 Reset and Interrupt Vector Placement

[Table 15-2 below](#) shows Reset and Interrupt Vectors placement for the various combinations of BOTRST and IVSEL settings. If the program never enables an interrupt source, the Interrupt Vectors are not used, and regular program code can be placed at these locations. This is also the case if the Reset Vector is in the Application section while the Interrupt Vectors are in the Boot section or vice versa.

**Table 15-2. Reset and Interrupt Vectors Placement** <sup>(1)</sup>

| BOTRST | IVSEL | Reset Address      | Interrupt Vectors Start Address |
|--------|-------|--------------------|---------------------------------|
| 1      | 0     | 0x0000             | 0x0002                          |
| 1      | 1     | 0x0000             | Boot Reset Address + 0x0002     |
| 0      | 0     | Boot Reset Address | 0x0002                          |
| 0      | 1     | Boot Reset Address | Boot Reset Address + 0x0002     |

- Note:
1. The Boot Reset Address is shown in [Table 30-10 on page 498](#) through [Table 30-6 on page 496](#). For the BOTRST Fuse "1" means unprogrammed while "0" means programmed.

The most typical and general program setup for the Reset and Interrupt Vector Addresses in ATmega2564/1284/644RFR2 is:

| Address | Labels | Code             | Comments       |
|---------|--------|------------------|----------------|
| 0x0000  |        | <b>jmp</b> RESET | ;Reset Handler |
| 0x0002  |        | <b>jmp</b> INT0  | ;IRQ0 Handler  |
| 0x0004  |        | <b>jmp</b> INT1  | ;IRQ1 Handler  |
| 0x0006  |        | <b>jmp</b> INT2  | ;IRQ2 Handler  |

|        |     |                   |                                  |
|--------|-----|-------------------|----------------------------------|
| 0x0008 | jmp | INT3              | ;IRQ3 Handler                    |
| 0x000A | jmp | INT4              | ;IRQ4 Handler                    |
| 0x000C | jmp | INT5              | ;IRQ5 Handler                    |
| 0x000E | jmp | INT6              | ;IRQ6 Handler                    |
| 0x0010 | jmp | INT7              | ;IRQ7 Handler                    |
| 0x0012 | jmp | PCINT0            | ;PCINT0 Handler                  |
| 0x0014 | jmp | PCINT1            | ;PCINT1 Handler                  |
| 0x0016 | jmp | PCINT2            | ;PCINT2 Handler                  |
| 0X0018 | jmp | WDT               | ;Watchdog Timeout Handler        |
| 0x001A | jmp | TIM2_COMP_A       | ;Timer2 CompareA Handler         |
| 0x001C | jmp | TIM2_COMP_B       | ;Timer2 CompareB Handler         |
| 0x001E | jmp | TIM2_OVF          | ;Timer2 Overflow Handler         |
| 0x0020 | jmp | TIM1_CAPT         | ;Timer1 Capture Handler          |
| 0x0022 | jmp | TIM1_COMP_A       | ;Timer1 CompareA Handler         |
| 0x0024 | jmp | TIM1_COMP_B       | ;Timer1 CompareB Handler         |
| 0x0026 | jmp | TIM1_COMP_C       | ;Timer1 CompareC Handler         |
| 0x0028 | jmp | TIM1_OVF          | ;Timer1 Overflow Handler         |
| 0x002A | jmp | TIM0_COMP_A       | ;Timer0 CompareA Handler         |
| 0x002C | jmp | TIM0_COMP_B       | ;Timer0 CompareB Handler         |
| 0x002E | jmp | TIM0_OVF          | ;Timer0 Overflow Handler         |
| 0x0030 | jmp | SPI_STC           | ;SPI Transfer Complete Handler   |
| 0x0032 | jmp | USART0_RX         | ;USART0 RX Complete Handler      |
| 0x0034 | jmp | USART0_UDRE       | ;USART0,UDR Empty Handler        |
| 0x0036 | jmp | USART0_TX         | ;USART0 TX Complete Handler      |
| 0x0038 | jmp | ANA_COMP          | ;Analog Comparator Handler       |
| 0x003A | jmp | ADC               | ;ADC Conversion Complete Handler |
| 0x003C | jmp | EE_RDY            | ;EEPROM Ready Handler            |
| 0x003E | jmp | TIM3_CAPT         | ;Timer3 Capture Handler          |
| 0x0040 | jmp | TIM3_COMP_A       | ;Timer3 CompareA Handler         |
| 0x0042 | jmp | TIM3_COMP_B       | ;Timer3 CompareB Handler         |
| 0x0044 | jmp | TIM3_COMP_C       | ;Timer3 CompareC Handler         |
| 0x0046 | jmp | TIM3_OVF          | ;Timer3 Overflow Handler         |
| 0x0048 | jmp | USART1_RX         | ;USART1 RX Complete Handler      |
| 0x004A | jmp | USART1_UDRE       | ;USART1,UDR Empty Handler        |
| 0x004C | jmp | USART1_TX         | ;USART1 TX Complete Handler      |
| 0x004E | jmp | TWI               | ;2-wire Serial Handler           |
| 0x0050 | jmp | SPM_RDY           | ;SPM Ready Handler               |
| 0x0052 | jmp | TIM4_CAPT         | ;Timer4 Capture Handler          |
| 0x0054 | jmp | TIM4_COMP_A       | ;Timer4 CompareA Handler         |
| 0x0056 | jmp | TIM4_COMP_B       | ;Timer4 CompareB Handler         |
| 0x0058 | jmp | TIM4_COMP_C       | ;Timer4 CompareC Handler         |
| 0x005A | jmp | TIM4_OVF          | ;Timer4 Overflow Handler         |
| 0x005C | jmp | TIM5_CAPT         | ;Timer5 Capture Handler          |
| 0x005E | jmp | TIM5_COMP_A       | ;Timer5 CompareA Handler         |
| 0x0060 | jmp | TIM5_COMP_B       | ;Timer5 CompareB Handler         |
| 0x0062 | jmp | TIM5_COMP_C       | ;Timer5 CompareC Handler         |
| 0x0064 | jmp | TIM5_OVF          | ;Timer5 Overflow Handler         |
| 0x0066 | jmp | 0x15e             | ;0x15e <__bad_interrupt>         |
| 0x0068 | jmp | 0x15e             | ;0x15e <__bad_interrupt>         |
| 0x006A | jmp | 0x15e             | ;0x15e <__bad_interrupt>         |
| 0x006C | jmp | 0x15e             | ;0x15e <__bad_interrupt>         |
| 0x006E | jmp | 0x15e             | ;0x15e <__bad_interrupt>         |
| 0x0070 | jmp | 0x15e             | ;0x15e <__bad_interrupt>         |
| 0x0072 | jmp | TRX24_PLL_LOCK    | ;Transceiver PLL Lock Handler    |
| 0x0074 | jmp | TRX24_PLL_UNLOCK  | ;Transceiver PLL Unlock Handler  |
| 0x0076 | jmp | TRX24_RX_START    | ;Transceiver RX Start Handler    |
| 0x0078 | jmp | TRX24_RX_END      | ;Transceiver RX End Handler      |
| 0x007A | jmp | TRX24_CCA_ED_DONE | ;Transceiver CCAED DONE Handler  |

```

0x007C      jmp     TRX24_XAH_AMI      ;Transceiver Addr. Match Handler
0x007E      jmp     TRX24_TX_END      ;Transceiver Transmit End Handler
0x0080      jmp     TRX24_AWAKE      ;Transceiver Wake Up Handler
0x0082      jmp     SCNT_CMP1      ;Symbol Counter Compare Match 1
0x0084      jmp     SCNT_CMP2      ;Symbol Counter Compare Match 2
0x0086      jmp     SCNT_CMP3      ;Symbol Counter Compare Match 3
0x0088      jmp     SCNT_OVFL      ;Symbol Counter Overflow Handler
0x008A      jmp     SCNT_BACKOFF      ;Symbol Backoff Slot Counter H.
0x008C      jmp     AES_READY      ;Encryption/Decryption Ready H.
0x008E      jmp     BAT_LOW      ;Batterie Monitor Alert Handler
0x0090      jmp     TRX24_TX_START      ;Transceiver Transmit Start Hand.
0x0092      jmp     TRX24_AMI0      ;Transceiver Address Match 0 H.
0x0094      jmp     TRX24_AMI1      ;Transceiver Address Match 1 H.
0x0096      jmp     TRX24_AMI2      ;Transceiver Address Match 2 H.
0x0098      jmp     TRX24_AMI3      ;Transceiver Address Match 3 H.
;
0x009A      RESET:      ldi     r16, high(RAMEND) ;Main program start
0x009B      out     SPH,r16      ;Set Stack Pointer to top of RAM
0x009C      ldi     r16, low(RAMEND)
0x009D      out     SPL,r16
0x009E      sei                      ;Enable interrupts
0x009F      <instr> xxx
...      ...      ...      ...

```

When the BOOTRST Fuse is unprogrammed, the Boot section size set to 8KBytes and the IVSEL bit in the MCUCR Register is set before any interrupts are enabled, the most typical and general program setup for the Reset and Interrupt Vector Addresses is:

| Address     | Labels | Code                 | Comments                         |
|-------------|--------|----------------------|----------------------------------|
| 0x0000      | RESET: | ldi r16,high(RAMEND) | ;Main program start              |
| 0x0001      |        | out SPH,r16          | ;Set Stack Pointer to top of RAM |
| 0x0002      |        | ldi r16,low(RAMEND)  |                                  |
| 0x0003      |        | out SPL,r16          |                                  |
| 0x0004      |        | sei                  | ;Enable interrupts               |
| 0x0005      |        | <instr> xxx          |                                  |
| .org 0xF002 |        |                      |                                  |
| 0xF002      |        | jmp EXT_INT0         | ;IRQ0 Handler                    |
| 0xF004      |        | jmp EXT_INT1         | ;IRQ1 Handler                    |
| ...         | ...    | ...                  | ...                              |
| 0xF098      |        | jmp TRX24_AMI3       | ;Transceiver Address Match 3 H.  |

When the BOOTRST Fuse is programmed and the Boot section size set to 8KBytes, the most typical and general program setup for the Reset and Interrupt Vector Addresses is:

| Address     | Labels | Code                 | Comments                         |
|-------------|--------|----------------------|----------------------------------|
| .org 0x0002 |        |                      |                                  |
| 0x0002      |        | jmp EXT_INT0         | ;IRQ0 Handler                    |
| 0x0004      |        | jmp EXT_INT1         | ;IRQ1 Handler                    |
| ...         | ...    | ...                  | ...                              |
| .org 0xF000 |        |                      |                                  |
| 0xF000      | RESET: | ldi r16,high(RAMEND) | ;Main program start              |
| 0xF001      |        | out SPH,r16          | ;Set Stack Pointer to top of RAM |
| 0xF002      |        | ldi r16,low(RAMEND)  |                                  |
| 0xF003      |        | out SPL,r16          |                                  |
| 0xF004      |        | sei                  | ;Enable interrupts               |
| 0xF005      |        | <instr> xxx          |                                  |

When the BOOTRST Fuse is programmed, the Boot section size set to 8KBytes and the IVSEL bit in the MCUCR Register is set before any interrupts are enabled, the most typical and general program setup for the Reset and Interrupt Vector Addresses is:

| Address     | Labels | Code                        | Comments                         |
|-------------|--------|-----------------------------|----------------------------------|
| .org 0xF000 |        |                             |                                  |
| 0xF000      |        | <b>jmp</b> RESET            | ;Reset handler                   |
| 0xF002      |        | <b>jmp</b> EXT_INT0         | ;IRQ0 Handler                    |
| 0xF004      |        | <b>jmp</b> EXT_INT1         | ;IRQ1 Handler                    |
| ...         | ...    | ...                         | ...                              |
| 0xF09A      | RESET: | <b>ldi</b> r16,high(RAMEND) | ; Main program start             |
| 0xF09B      |        | <b>out</b> SPH,r16          | ;Set Stack Pointer to top of RAM |
| 0xF09C      |        | <b>ldi</b> r16,low(RAMEND)  |                                  |
| 0xF09D      |        | <b>out</b> SPL,r16          |                                  |
| 0xF09E      |        | <b>sei</b>                  | ;Enable interrupts               |
| 0xF09F      |        | <instr> xxx                 |                                  |

## 15.3 Moving Interrupts Between Application and Boot Section

The MCU Control Register controls the placement of the Interrupt Vector table, see Code Example below. For more details, see ["Reset and Interrupt Handling" on page 15](#).

### Assembly Code Example

```

Move_interrupts:
    ; Get MCUCR
    in r16, MCUCR
    mov r17, r16
    ; Enable change of Interrupt Vectors
    ori r16, (1<<IVCE)
    out MCUCR, r16
    ; Move interrupts to Boot Flash section
    ori r16, (1<<IVSEL)
    out MCUCR, r17
    ret

```

### C Code Example

```

void Move_interrupts(void)
{
    uchar temp;
    /* Get MCUCR */
    temp = MCUCR;
    /* Enable change of Interrupt Vectors */
    MCUCR = temp|(1<<IVCE);
    /* Move interrupts to Boot Flash section */
    MCUCR = temp|(1<<IVSEL);
}

```

## 15.4 Register Description

### 15.4.1 MCUCR – MCU Control Register

| Bit           | 7          | 6           | 5           | 4          | 3           | 2           | 1            | 0           |       |
|---------------|------------|-------------|-------------|------------|-------------|-------------|--------------|-------------|-------|
| \$35 (\$55)   | <b>JTD</b> | <b>Res1</b> | <b>Res0</b> | <b>PUD</b> | <b>Res1</b> | <b>Res0</b> | <b>IVSEL</b> | <b>IVCE</b> | MCUCR |
| Read/Write    | RW         | R           | R           | RW         | R           | R           | RW           | RW          |       |
| Initial Value | 0          | 0           | 0           | 0          | 0           | 0           | 0            | 0           |       |

The MCU Control Register contains control bits for general Microcontroller Unit functions.

- **Bit 7 – JTD - JTAG Interface Disable**

When this bit is zero, the JTAG interface is enabled if the JTAGEN Fuse is programmed. If this bit is one, the JTAG interface is disabled. In order to avoid unintentional disabling or enabling of the JTAG interface, a timed sequence must be followed when changing this bit: The application software must write this bit to the desired value twice within four cycles to change its value. Note that this bit must not be altered when using the On-chip Debug system.

- **Bit 6:5 – Res1:0 - Reserved**

- **Bit 4 – PUD - Pull-up Disable**

When this bit is written to one, the I/O ports pull-up resistors are disabled even if the DDxn and PORTxn Registers are configured to enable the pull-up resistor ( $\{DDxn, PORTxn\} = 2'b01$ ). See section "Ports as General Digital I/O" for more details about this feature.

- **Bit 3:2 – Res1:0 - Reserved**

- **Bit 1 – IVSEL - Interrupt Vector Select**

When the IVSEL bit is cleared (zero), the Interrupt Vectors are placed at the start of the Flash memory. When this bit is set (one), the Interrupt Vectors are moved to the beginning of the Boot Loader section of the Flash. The actual address of the start of the Boot Flash Section is determined by the BOOTSZ Fuses. Refer to the section "Memory Programming" for details. To avoid unintentional changes of Interrupt Vector tables, a special write procedure must be followed to change the IVSEL bit (see section "Moving Interrupts Between Application and Boot Section" for details): 1. Write the Interrupt Vector Change Enable (IVCE) bit to one; 2. Within four cycles, write the desired value to IVSEL while writing a zero to IVCE. Interrupts will be automatically disabled while this sequence is executed. Interrupts are disabled in the same cycle IVCE is set, and they remain disabled until after the instruction following the write to IVSEL. If IVSEL is not written, interrupts remain disabled for four cycles. The I-bit in the Status Register is unaffected by the automatic disabling. Note that if Interrupt Vectors are placed in the Boot Loader section and Boot Lock bit BLB02 is programmed, interrupts are disabled while executing from the Application section. If Interrupt Vectors are placed in the Application section and Boot Lock bit BLB12 is programmed, interrupts are disabled while executing from the Boot Loader section.

- **Bit 0 – IVCE - Interrupt Vector Change Enable**

The IVCE bit must be written to logic one to enable change of the IVSEL bit. IVCE is cleared by hardware four cycles after it is written or when IVSEL is written. Setting the IVCE bit will disable interrupts as explained in the IVSEL description.

## 16 External Interrupts

The External Interrupts are triggered by the INT7:0 pin or any of the PCINT8:0 pins. Observe that if enabled, the interrupts will trigger even if the INT7:0 or PCINT8:0 pins are configured as outputs. This feature provides a way of generating a software interrupt.

The Pin Change Interrupt PCI0 will trigger if any enabled PCINT7:0 pin toggles, Pin change interrupt PCI1 if the enabled PCINT8 toggles. PCINT23:9 have no function inside the ATmega2564/1284/644RFR2. Their corresponding I/O port are not implemented. PCMSK1 and PCMSK0 Registers control which pins contribute to the pin change interrupts. PCI2 and PCMSK2 associated to PCINT23:16 have no task in this design. Pin change interrupts on PCINT8:0 are detected asynchronously. This implies that these interrupts can be used for waking the part also from sleep modes other than Idle mode.

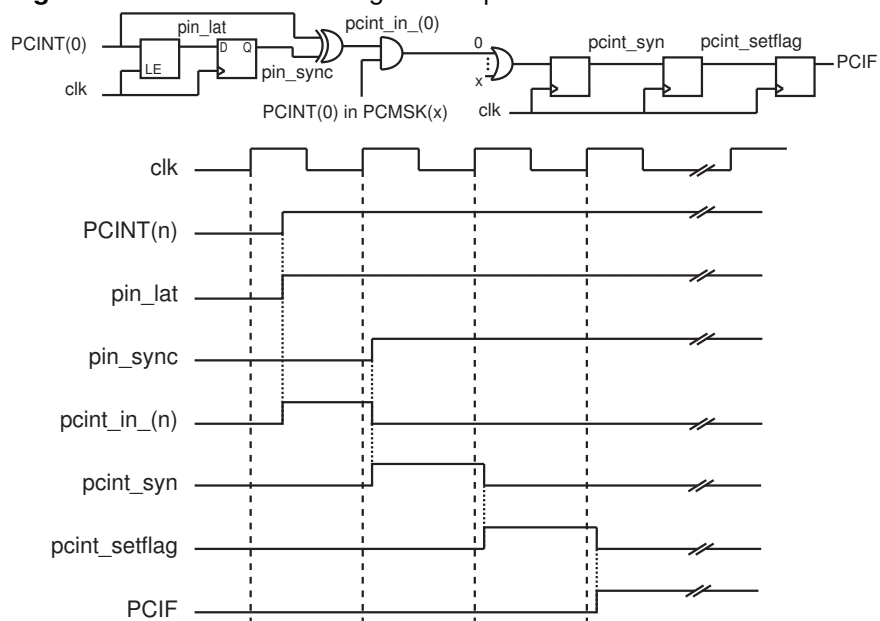
The External Interrupts can be triggered by a falling or rising edge or a low level. This is set up as indicated in the specification for the External Interrupt Control Registers – EICRA (INT3:0) and EICRB (INT7:4). When the external interrupt is enabled and is configured as level triggered, the interrupt will trigger as long as the pin is held low. Note that recognition of falling or rising edge interrupts on INT7:4 requires the presence of an I/O clock, described in "Overview" on page 3. Low level interrupts and the edge interrupt on INT3:0 are detected asynchronously. This implies that these interrupts can be used for waking the part also from sleep modes other than Idle mode. The I/O clock is halted in all sleep modes except Idle mode.

Note that if a level triggered interrupt is used for wake-up from Power-down, the required level must be held long enough for the MCU to complete the wake-up to trigger the level interrupt. If the level disappears before the end of the Start-up Time, the MCU will still wake up, but no interrupt will be generated. The start-up time is defined by the SUT and CKSEL Fuses as described in "Clock Sources" on page 175.

### 16.1 Pin Change Interrupt Timing

An example of timing of a pin change interrupt is shown in Figure 16-1 below.

**Figure 16-1. Normal Pin Change Interrupt**





## 16.2 Register Description

### 16.2.1 EICRA – External Interrupt Control Register A

|               |              |              |              |              |              |              |              |              |       |
|---------------|--------------|--------------|--------------|--------------|--------------|--------------|--------------|--------------|-------|
| Bit           | 7            | 6            | 5            | 4            | 3            | 2            | 1            | 0            |       |
| NA (\$69)     | <b>ISC31</b> | <b>ISC30</b> | <b>ISC21</b> | <b>ISC20</b> | <b>ISC11</b> | <b>ISC10</b> | <b>ISC01</b> | <b>ISC00</b> | EICRA |
| Read/Write    | RW           | RW           | RW           | RW           | RW           | RW           | RW           | RW           |       |
| Initial Value | 0            | 0            | 0            | 0            | 0            | 0            | 0            | 0            |       |

The External Interrupts 3 - 0 are activated by the external pins INT3:0 if the SREG I-flag and the corresponding interrupt mask in the EIMSK is set. The level and edges on the external pins that activate the interrupts are defined in the following tables. Edges on INT3:0 are registered asynchronously. Pulses on INT3:0 pins wider than the minimum pulse width of typical 50 ns will generate an interrupt. Shorter pulses are not guaranteed to generate an interrupt. If low level interrupt is selected, the low level must be held until the completion of the currently executing instruction to generate an interrupt. If enabled, a level triggered interrupt will generate an interrupt request as long as the pin is held low. When changing the ISCn bit, an interrupt can occur. Therefore, it is recommended to first disable INTn by clearing its Interrupt Enable bit in the EIMSK Register. Then, the ISCn bit can be changed. Finally, the INTn interrupt flag should be cleared by writing a logical one to its Interrupt Flag bit (INTFn) in the EIFR Register before the interrupt is re-enabled. When changing the ISCn1/ISCn0 bits, the interrupt must be disabled by clearing its Interrupt Enable bit in the EIMSK Register. Otherwise an interrupt can occur when the bits are changed.

- **Bit 7:6 – ISC31:30 - External Interrupt 3 Sense Control Bit**

**Table 16-145** ISC3 Register Bits

| Register Bits | Value | Description   |
|---------------|-------|---|
| ISC31:30      | 0x00  | The low level of INTn generates an interrupt request.                   |
|               | 0x01  | Any edge of INTn generates asynchronously an interrupt request.         |
|               | 0x02  | The falling edge of INTn generates asynchronously an interrupt request. |
|               | 0x03  | The rising edge of INTn generates asynchronously an interrupt request.  |

- **Bit 5:4 – ISC21:20 - External Interrupt 2 Sense Control Bit**

**Table 16-146** ISC2 Register Bits

| Register Bits | Value | Description   |
|---------------|-------|---|
| ISC21:20      | 0x00  | The low level of INTn generates an interrupt request.                   |
|               | 0x01  | Any edge of INTn generates asynchronously an interrupt request.         |
|               | 0x02  | The falling edge of INTn generates asynchronously an interrupt request. |
|               | 0x03  | The rising edge of INTn generates asynchronously an interrupt request.  |

- **Bit 3:2 – ISC11:10 - External Interrupt 1 Sense Control Bit**

**Table 16-147** ISC1 Register Bits

| Register Bits | Value | Description   |
|---------------|-------|---|
| ISC11:10      | 0x00  | The low level of INTn generates an interrupt request.                   |
|               | 0x01  | Any edge of INTn generates asynchronously an interrupt request.         |
|               | 0x02  | The falling edge of INTn generates asynchronously an interrupt request. |
|               | 0x03  | The rising edge of INTn generates asynchronously an interrupt request.  |

- **Bit 1:0 – ISC01:00 - External Interrupt 0 Sense Control Bit**

**Table 16-148** ISC0 Register Bits

| Register Bits | Value | Description   |
|---------------|-------|---|
| ISC01:00      | 0x00  | The low level of INTn generates an interrupt request.                   |
|               | 0x01  | Any edge of INTn generates asynchronously an interrupt request.         |
|               | 0x02  | The falling edge of INTn generates asynchronously an interrupt request. |
|               | 0x03  | The rising edge of INTn generates asynchronously an interrupt request.  |

## 16.2.2 EICRB – External Interrupt Control Register B

| Bit           | 7            | 6            | 5            | 4            | 3            | 2            | 1            | 0            |       |
|---------------|--------------|--------------|--------------|--------------|--------------|--------------|--------------|--------------|-------|
| NA (\$6A)     | <b>ISC71</b> | <b>ISC70</b> | <b>ISC61</b> | <b>ISC60</b> | <b>ISC51</b> | <b>ISC50</b> | <b>ISC41</b> | <b>ISC40</b> | EICRB |
| Read/Write    | RW           | RW           | RW           | RW           | RW           | RW           | RW           | RW           |       |
| Initial Value | 0            | 0            | 0            | 0            | 0            | 0            | 0            | 0            |       |

The External Interrupts 7 - 4 are activated by the external pins INT7:4 if the SREG I-flag and the corresponding interrupt mask in the EIMSK is set. The level and edges on the external pins that activate the interrupts are defined in the following tables. Edges on INT7:4 are registered asynchronously. Pulses on INT7:4 pins wider than the minimum pulse width of typical 50 ns will generate an interrupt. Shorter pulses are not guaranteed to generate an interrupt. If low level interrupt is selected, the low level must be held until the completion of the currently executing instruction to generate an interrupt. If enabled, a level triggered interrupt will generate an interrupt request as long as the pin is held low. When changing the ISCn bit, an interrupt can occur. Therefore, it is recommended to first disable INTn by clearing its Interrupt Enable bit in the EIMSK Register. Then, the ISCn bit can be changed. Finally, the INTn interrupt flag should be cleared by writing a logical one to its Interrupt Flag bit (INTFn) in the EIFR Register before the interrupt is re-enabled. When changing the ISCn1/ISCn0 bits, the interrupt must be disabled by clearing its Interrupt Enable bit in the EIMSK Register. Otherwise an interrupt can occur when the bits are changed.

- **Bit 7:6 – ISC71:70 - External Interrupt 7 Sense Control Bit**

**Table 16-149** ISC7 Register Bits

| Register Bits | Value | Description                                  |
|---------------|-------|--|
| ISC71:70      | 0x00  | The low level of INTn generates an interrupt |

| Register Bits | Value | Description   |
|---------------|-------|---|
|               |       | request.  |
|               | 0x01  | Any edge of INTn generates asynchronously an interrupt request.         |
|               | 0x02  | The falling edge of INTn generates asynchronously an interrupt request. |
|               | 0x03  | The rising edge of INTn generates asynchronously an interrupt request.  |

- **Bit 5:4 – ISC61:60 - External Interrupt 6 Sense Control Bit**

**Table 16-150** ISC6 Register Bits

| Register Bits | Value | Description   |
|---------------|-------|---|
| ISC61:60      | 0x00  | The low level of INTn generates an interrupt request.                   |
|               | 0x01  | Any edge of INTn generates asynchronously an interrupt request.         |
|               | 0x02  | The falling edge of INTn generates asynchronously an interrupt request. |
|               | 0x03  | The rising edge of INTn generates asynchronously an interrupt request.  |

- **Bit 3:2 – ISC51:50 - External Interrupt 5 Sense Control Bit**

**Table 16-151** ISC5 Register Bits

| Register Bits | Value | Description   |
|---------------|-------|---|
| ISC51:50      | 0x00  | The low level of INTn generates an interrupt request.                   |
|               | 0x01  | Any edge of INTn generates asynchronously an interrupt request.         |
|               | 0x02  | The falling edge of INTn generates asynchronously an interrupt request. |
|               | 0x03  | The rising edge of INTn generates asynchronously an interrupt request.  |

- **Bit 1:0 – ISC41:40 - External Interrupt 4 Sense Control Bit**

**Table 16-152** ISC4 Register Bits

| Register Bits | Value | Description   |
|---------------|-------|---|
| ISC41:40      | 0x00  | The low level of INTn generates an interrupt request.                   |
|               | 0x01  | Any edge of INTn generates asynchronously an interrupt request.         |
|               | 0x02  | The falling edge of INTn generates asynchronously an interrupt request. |
|               | 0x03  | The rising edge of INTn generates asynchronously an interrupt request.  |

### 16.2.3 EIMSK – External Interrupt Mask Register

|               |             |             |             |             |             |             |             |             |              |
|---------------|-------------|-------------|-------------|-------------|-------------|-------------|-------------|-------------|--------------|
| Bit           | 7           | 6           | 5           | 4           | 3           | 2           | 1           | 0           |              |
| \$1D (\$3D)   | <b>INT7</b> | <b>INT6</b> | <b>INT5</b> | <b>INT4</b> | <b>INT3</b> | <b>INT2</b> | <b>INT1</b> | <b>INT0</b> | <b>EIMSK</b> |
| Read/Write    | RW          | RW          | RW          | RW          | RW          | RW          | RW          | RW          |              |
| Initial Value | 0           | 0           | 0           | 0           | 0           | 0           | 0           | 0           |              |

When an INT7:0 bit is written to one and the I-bit in the Status Register (SREG) is set (one), the corresponding external pin interrupt is enabled. The Interrupt Sense Control bits in the External Interrupt Control Registers EICRA and EICRB define whether the External Interrupt is activated on rising or falling edge or level sensed. Activity on any of these pins will trigger an interrupt request even if the pin is enabled as an output. This provides a way of generating a software interrupt.

- **Bit 7:0 – INT7:0 - External Interrupt Request Enable**

**Table 16-153** INT Register Bits

| Register Bits | Value | Description                               |
|---------------|-------|---|
| INT7:0        | 0x00  | All external pin interrupts are disabled. |
|               | 0xff  | All external pin interrupts are enabled.  |

### 16.2.4 EIFR – External Interrupt Flag Register

|               |              |              |              |              |              |              |              |              |             |
|---------------|--------------|--------------|--------------|--------------|--------------|--------------|--------------|--------------|-------------|
| Bit           | 7            | 6            | 5            | 4            | 3            | 2            | 1            | 0            |             |
| \$1C (\$3C)   | <b>INTF7</b> | <b>INTF6</b> | <b>INTF5</b> | <b>INTF4</b> | <b>INTF3</b> | <b>INTF2</b> | <b>INTF1</b> | <b>INTF0</b> | <b>EIFR</b> |
| Read/Write    | RW           | RW           | RW           | RW           | RW           | RW           | RW           | RW           |             |
| Initial Value | 0            | 0            | 0            | 0            | 0            | 0            | 0            | 0            |             |

When an edge or logic change on the INT7:0 pin triggers an interrupt request, INTF7:0 becomes set (one). If the I-bit in SREG and the corresponding interrupt enable bit INT7:0 in EIMSK are set (one), the MCU will jump to the interrupt vector. The flag is cleared when the interrupt routine is executed. Alternatively, the flag can be cleared by writing a logical one to it. These flags are always cleared when INT7:0 are configured as level interrupt. Note that when entering sleep mode with the INT3:0 interrupts disabled, the input buffers on these pins will be disabled. This may cause a logic change in internal signals which will set the INTF3:0 flags. See "Digital Input Enable and Sleep Modes" for more information.

- **Bit 7:0 – INTF7:0 - External Interrupt Flag**

**Table 16-154** INTF Register Bits

| Register Bits | Value | Description   |
|---------------|-------|---|
| INTF7:0       | 0x00  | No edge or logic change on INT7:0 occurred.                                 |
|               | 0x01  | A edge or logic change on INT0 occurred and triggered an interrupt request. |
|               | 0x02  | ...   |
|               | 0x80  | A edge or logic change on INT7 occurred and triggered an interrupt request. |

## 16.2.5 PCICR – Pin Change Interrupt Control Register

| Bit           | 7           | 6           | 5           | 4           | 3           | 2            | 1            | 0            |       |
|---------------|-------------|-------------|-------------|-------------|-------------|--------------|--------------|--------------|-------|
| NA (\$68)     | <b>Res4</b> | <b>Res3</b> | <b>Res2</b> | <b>Res1</b> | <b>Res0</b> | <b>PCIE2</b> | <b>PCIE1</b> | <b>PCIE0</b> | PCICR |
| Read/Write    | R           | R           | R           | R           | R           | RW           | RW           | RW           |       |
| Initial Value | 0           | 0           | 0           | 0           | 0           | 0            | 0            | 0            |       |

- **Bit 7:3 – Res4:0 - Reserved Bit**

This bit is reserved for future use. A read access always will return zero. A write access does not modify the content.

- **Bit 2 – PCIE2 - Pin Change Interrupt Enable 2**

When the PCIE2 bit is set (one) and the I-bit in the Status Register (SREG) is set (one), pin change interrupt 2 is enabled. Any change on any enabled PCINT23:16 pin will cause an interrupt. The corresponding interrupt of Pin Change Interrupt Request is executed from the PCI2 Interrupt Vector. PCINT23:16 pins are enabled individually by the PCMSK2 Register. Note that the I/O ports corresponding to PCINT23:16 are not implemented. Therefore PCIE2 has no function in this device.

- **Bit 1 – PCIE1 - Pin Change Interrupt Enable 1**

When the PCIE1 bit is set (one) and the I-bit in the Status Register (SREG) is set (one), pin change interrupt 1 is enabled. Any change on any enabled PCINT15:8 pin will cause an interrupt. The corresponding interrupt of Pin Change Interrupt Request is executed from the PCI1 Interrupt Vector. PCINT15:8 pins are enabled individually by the PCMSK1 Register. Note that the I/O ports corresponding to PCINT15:9 are not implemented.

- **Bit 0 – PCIE0 - Pin Change Interrupt Enable 0**

When the PCIE0 bit is set (one) and the I-bit in the Status Register (SREG) is set (one), pin change interrupt 0 is enabled. Any change on any enabled PCINT7:0 pin will cause an interrupt. The corresponding interrupt of Pin Change Interrupt Request is executed from the PCI0 Interrupt Vector. PCINT7:0 pins are enabled individually by the PCMSK0 Register.

## 16.2.6 PCIFR – Pin Change Interrupt Flag Register

| Bit           | 7           | 6           | 5           | 4           | 3           | 2            | 1            | 0            |       |
|---------------|-------------|-------------|-------------|-------------|-------------|--------------|--------------|--------------|-------|
| \$1B (\$3B)   | <b>Res4</b> | <b>Res3</b> | <b>Res2</b> | <b>Res1</b> | <b>Res0</b> | <b>PCIF2</b> | <b>PCIF1</b> | <b>PCIF0</b> | PCIFR |
| Read/Write    | R           | R           | R           | R           | R           | RW           | RW           | RW           |       |
| Initial Value | 0           | 0           | 0           | 0           | 0           | 0            | 0            | 0            |       |

- **Bit 7:3 – Res4:0 - Reserved Bit**

This bit is reserved for future use. A read access always will return zero. A write access does not modify the content.

- **Bit 2 – PCIF2 - Pin Change Interrupt Flag 2**

When a logic change on any PCINT23:16 pin triggers an interrupt request, PCIF2 becomes set (one). If the I-bit in SREG and the PCIE2 bit in PCICR are set (one), the MCU will jump to the corresponding Interrupt Vector. The flag is cleared when the interrupt routine is executed. Alternatively, the flag can be cleared by writing a logical one to it. Note that the I/O ports corresponding to PCINT23:16 are not implemented. Therefore PCIF2 has no function in this device.

- **Bit 1 – PCIF1 - Pin Change Interrupt Flag 1**

When a logic change on any PCINT15:8 pin triggers an interrupt request, PCIF1 becomes set (one). If the I-bit in SREG and the PCIE1 bit in PCICR are set (one), the MCU will jump to the corresponding Interrupt Vector. The flag is cleared when the interrupt routine is executed. Alternatively, the flag can be cleared by writing a logical one to it. Note that the I/O ports corresponding to PCINT15:9 are not implemented.

- **Bit 0 – PCIF0 - Pin Change Interrupt Flag 0**

When a logic change on any PCINT7:0 pin triggers an interrupt request, PCIF0 becomes set (one). If the I-bit in SREG and the PCIE0 bit in PCICR are set (one), the MCU will jump to the corresponding Interrupt Vector. The flag is cleared when the interrupt routine is executed. Alternatively, the flag can be cleared by writing a logical one to it.

### 16.2.7 PCMSK2 – Pin Change Mask Register 2

|               |                |                |                |                |               |
|---------------|----------------|----------------|----------------|----------------|---------------|
| Bit           | 7              | 6              | 5              | 4              |               |
| NA (\$6D)     | <b>PCINT23</b> | <b>PCINT22</b> | <b>PCINT21</b> | <b>PCINT20</b> | <b>PCMSK2</b> |
| Read/Write    | RW             | RW             | RW             | RW             |               |
| Initial Value | 0              | 0              | 0              | 0              |               |
| Bit           | 3              | 2              | 1              | 0              |               |
| NA (\$6D)     | <b>PCINT19</b> | <b>PCINT18</b> | <b>PCINT17</b> | <b>PCINT16</b> | <b>PCMSK2</b> |
| Read/Write    | RW             | RW             | RW             | RW             |               |
| Initial Value | 0              | 0              | 0              | 0              |               |

Note that the PCMSK2 register has no function in this device. The I/O ports associated to PCINT23:16 are not implemented. Normally each bit PCINT23:16 selects whether the pin change interrupt is enabled on the corresponding I/O pin. If PCINT23:16 is set and the PCIE2 bit in PCICR is set, the pin change interrupt is enabled on the corresponding I/O pin. If PCINT23:16 is cleared, the pin change interrupt on the corresponding I/O pin is disabled.

- **Bit 7:0 – PCINT23:16 - Pin Change Enable Mask**

### 16.2.8 PCMSK1 – Pin Change Mask Register 1

|               |                |                |                |                |               |
|---------------|----------------|----------------|----------------|----------------|---------------|
| Bit           | 7              | 6              | 5              | 4              |               |
| NA (\$6C)     | <b>PCINT15</b> | <b>PCINT14</b> | <b>PCINT13</b> | <b>PCINT12</b> | <b>PCMSK1</b> |
| Read/Write    | RW             | RW             | RW             | RW             |               |
| Initial Value | 0              | 0              | 0              | 0              |               |
| Bit           | 3              | 2              | 1              | 0              |               |
| NA (\$6C)     | <b>PCINT11</b> | <b>PCINT10</b> | <b>PCINT9</b>  | <b>PCINT8</b>  | <b>PCMSK1</b> |
| Read/Write    | RW             | RW             | RW             | RW             |               |
| Initial Value | 0              | 0              | 0              | 0              |               |

Bit PCINT8 selects whether the pin change interrupt is enabled on the corresponding I/O pin. If PCINT8 is set and the PCIE1 bit in PCICR is set, the pin change interrupt is enabled on the corresponding I/O pin. If PCINT8 is cleared, the pin change interrupt on the corresponding I/O pin is disabled.

- **Bit 7:1 – PCINT15:9 - Pin Change Enable Mask**

Bits 15:9 of the PCMSK1 register have no function in this device. The I/O ports associated to PCINT15:9 are not implemented.

- **Bit 0 – PCINT8 - Pin Change Enable Mask 8**

If this bit is set to one the pin change interrupt on the corresponding I/O pin is enabled. If this bit is set to zero the pin change interrupt is disabled.

## 16.2.9 PCMSK0 – Pin Change Mask Register 0

| Bit           | 7             | 6             | 5             | 4             | 3             | 2             | 1             | 0             |        |
|---------------|---------------|---------------|---------------|---------------|---------------|---------------|---------------|---------------|--------|
| NA (\$6B)     | <b>PCINT7</b> | <b>PCINT6</b> | <b>PCINT5</b> | <b>PCINT4</b> | <b>PCINT3</b> | <b>PCINT2</b> | <b>PCINT1</b> | <b>PCINT0</b> | PCMSK0 |
| Read/Write    | RW            | RW            | RW            | RW            | RW            | RW            | RW            | RW            |        |
| Initial Value | 0             | 0             | 0             | 0             | 0             | 0             | 0             | 0             |        |

Each bit PCINT7:0 selects whether the pin change interrupt is enabled on the corresponding I/O pin. If PCINT7:0 is set and the PCIE0 bit in PCICR is set, the pin change interrupt is enabled on the corresponding I/O pin. If PCINT7:0 is cleared, the pin change interrupt on the corresponding I/O pin is disabled.

- **Bit 7:0 – PCINT7:0 - Pin Change Enable Mask**

## 17 8-bit Timer/Counter0 with PWM

### 17.1 Features

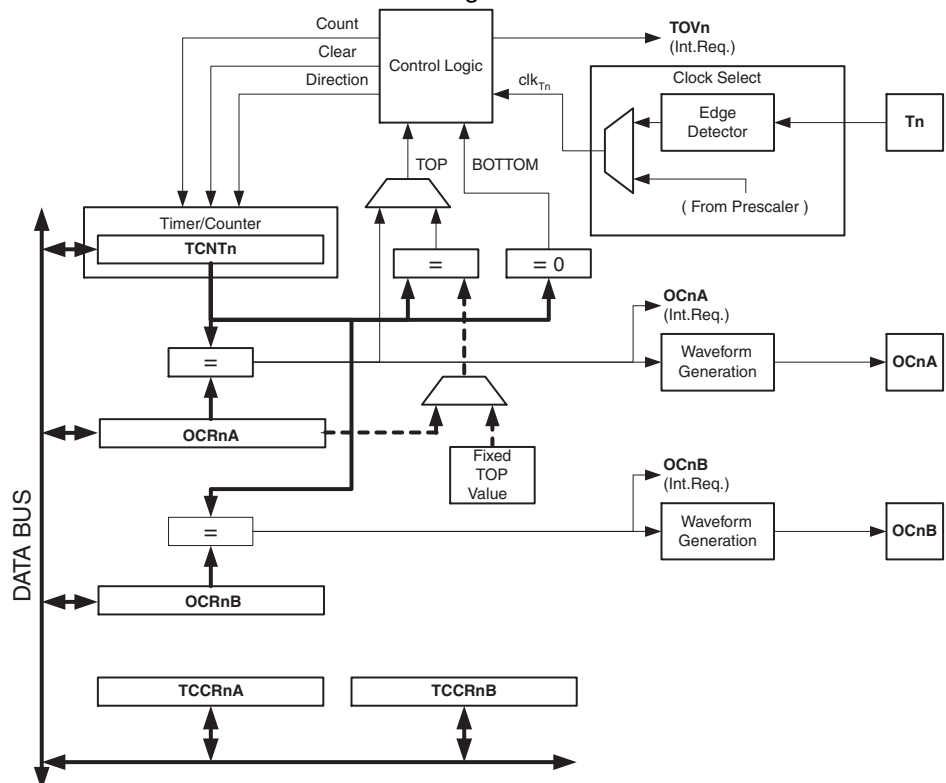
- Two Independent Output Compare Units
- Double Buffered Output Compare Registers
- Clear Timer on Compare Match (Auto Reload)
- Glitch Free, Phase Correct Pulse Width Modulator (PWM)
- Variable PWM Period
- Frequency Generator
- Three Independent Interrupt Sources (TOV0, OCF0A, and OCF0B)

### 17.2 Overview

Timer/Counter0 is a general purpose 8-bit Timer/Counter module with two independent Output Compare Units and with PWM support. It allows accurate program execution timing (event management) and wave generation.

A simplified block diagram of the 8-bit Timer/Counter is shown in Figure 17-1. For the actual placement of I/O pins refer to section ["Pin Configurations"](#) on page 2. CPU accessible I/O Registers, including I/O bits and I/O pins, are shown in bold. The device-specific I/O Register and bit locations are listed in the ["Register Description"](#) on page 268.

**Figure 17-1. 8-bit Timer/Counter Block Diagram**





## 17.2.1 Registers

The Timer/Counter (TCNT0) and Output Compare Registers (OCR0A and OCR0B) are 8-bit registers. Interrupt request signals (abbreviated to *Int.Req.* in the figure) are all visible in the Timer Interrupt Flag Register (TIFR0). All interrupts are individually masked with the Timer Interrupt Mask Register (TIMSK0). TIFR0 and TIMSK0 are not shown in the figure.

The Timer/Counter can be clocked internally, via the prescaler or by an external clock source on the T0 pin. The Clock Select logic block controls which clock source and edge the Timer/Counter uses to increment (or decrement) its value. The Timer/Counter is inactive when no clock source is selected. The output from the Clock Select logic is referred to as the timer clock ( $clk_{T0}$ ).

The double buffered Output Compare Registers (OCR0A and OCR0B) are compared with the Timer/Counter value at all times. The result of the compare can be used by the Waveform Generator to generate a PWM or variable frequency output on the Output Compare pins (OC0A and OC0B); see ["Output Compare Unit" on page 258](#) for details. The Compare Match event will also set the Compare Flag (OCF0A or OCF0B) which can be used to generate an Output Compare interrupt request.

## 17.2.2 Definitions

Many register and bit references in this section are written in general form. A lower case "n" replaces the Timer/Counter number (in this case 0). A lower case "x" replaces the Output Compare Unit (in this case Compare Unit A or Compare Unit B). However when using the register or bit defines in a program, the precise form must be used i.e., TCNT0 for accessing Timer/Counter0 counter value and so on.

The definitions in Table 17-1 are also used extensively throughout the document.

**Table 17-1.** Definitions

|        |   |
|--------|---|
| BOTTOM | The counter reaches the BOTTOM when it becomes 0x00.  |
| MAX    | The counter reaches its MAXimum when it becomes 0xFF (decimal 255).   |
| TOP    | The counter reaches the TOP when it becomes equal to the highest value in the count sequence. The TOP value can be assigned to be the fixed value 0xFF (MAX) or the value stored in the OCR0A Register. The assignment is dependent on the mode of operation. |

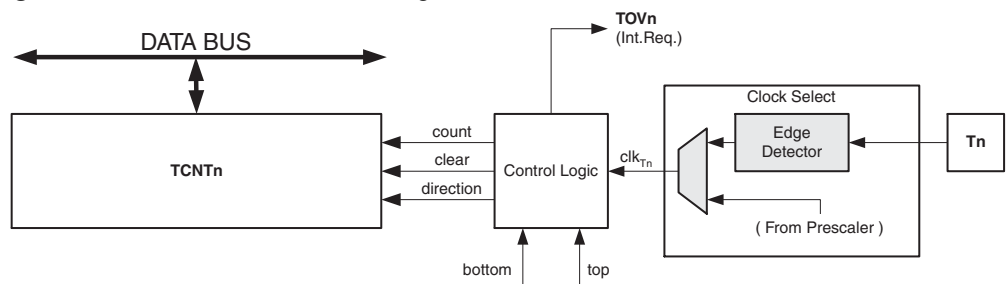
## 17.3 Timer/Counter Clock Sources

The Timer/Counter can be clocked by an internal or an external clock source. The clock source is selected by the Clock Select logic which is controlled by the Clock Select (CS02:0) bits located in the Timer/Counter Control Register (TCCR0B). For details on clock sources and prescaler see [Timer/Counter 0, 1, 3, 4, and 5 Prescaler on page 334](#)

## 17.4 Counter Unit

The main part of the 8-bit Timer/Counter is the programmable bi-directional counter unit. Figure 17-2 shows a block diagram of the counter and its surroundings.

**Figure 17-2. Counter Unit Block Diagram**



Signal description (internal signals):

|                         |   |
|-------------------------|---|
| <b>count</b>            | Increment or decrement TCNT0 by 1;  |
| <b>direction</b>        | Select between increment and decrement;                                     |
| <b>clear</b>            | Clear TCNT0 (set all bits to zero);   |
| <b>clk<sub>Tn</sub></b> | Timer/Counter clock referred to as clk <sub>T0</sub> in the following text; |
| <b>top</b>              | Signalize that TCNT0 has reached maximum value;                             |
| <b>bottom</b>           | Signalize that TCNT0 has reached minimum value (zero);                      |

Depending of the mode of operation used, the counter is cleared, incremented or decremented at each timer clock (clk<sub>T0</sub>). clk<sub>T0</sub> can be generated from an external or internal clock source selected by the Clock Select bits (CS02:0). When no clock source is selected (CS02:0 = 0) the timer is stopped. However, the TCNT0 value can be accessed by the CPU regardless of whether clk<sub>T0</sub> is present or not. A CPU write access overrides (has priority over) all counter clear or count operations.

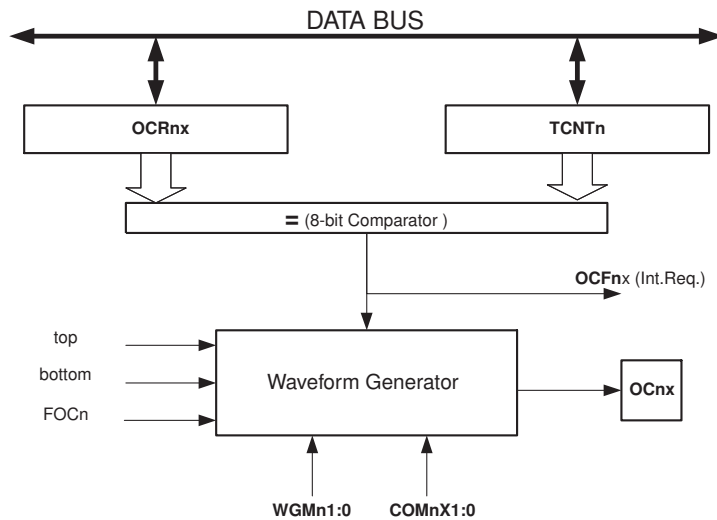
The counting sequence is determined by the setting of the WGM01 and WGM00 bits located in the Timer/Counter Control Register (TCCR0A) and the WGM02 bit located in the Timer/Counter Control Register B (TCCR0B). There are close connections between how the counter behaves (counts) and how waveforms are generated on the Output Compare outputs OC0A and OC0B. For more details about advanced counting sequences and waveform generation, see ["Modes of Operation" on page 262](#).

The Timer/Counter Overflow Flag (TOV0) is set according to the mode of operation selected by the WGM02:0 bits. TOV0 can be used for generating a CPU interrupt.

## 17.5 Output Compare Unit

The 8-bit comparator continuously compares TCNT0 with the Output Compare Registers (OCR0A and OCR0B). The comparator signals a match whenever TCNT0 equals OCR0A or OCR0B. A match will set the Output Compare Flag (OCF0A or OCF0B) at the next clock cycle of the timer. If the corresponding interrupt is enabled, the Output Compare Flag generates an Output Compare interrupt. The Output Compare Flag is automatically cleared when the interrupt is executed. The flag can alternatively be software-cleared by writing a logical one to its I/O bit location. The Waveform Generator uses the match signal to generate an output according to the operating mode set by the WGM02:0 bits and Compare Output mode (COM0x1:0) bits. The MAX and BOTTOM signals are used by the Waveform Generator for handling the special cases of the extreme values in some modes of operation (refer to ["Modes of Operation" on page 262](#)).

**Figure 17-3.** Output Compare Unit, Block Diagram



The OCR0x Registers are double buffered when using any of the Pulse Width Modulation (PWM) modes. For the normal and Clear Timer on Compare (CTC) modes of operation, the double buffering is disabled. The double buffering synchronizes the update of the OCR0x Compare Registers to either TOP or BOTTOM of the counting sequence. The synchronization prevents the occurrence of odd-length, non-symmetrical PWM pulses and thereby making the output glitch-free.

The OCR0x Register access may seem complex, but this is not the case. When the double buffering is enabled, the CPU has access to the OCR0x Buffer Register. If double buffering is disabled the CPU will access the OCR0x directly.

### 17.5.1 Force Output Compare

In non-PWM waveform generation modes, the match output of the comparator can be forced by writing a one to the Force Output Compare (FOC0x) bit. Forcing Compare Match will not set the OCF0x Flag or reload/clear the timer, but the OC0x pin will be updated as if a real Compare Match had occurred (the COM0x1:0 bits settings define whether the OC0x pin is set, cleared or toggled).

### 17.5.2 Compare Match Blocking by TCNT0 Write

All CPU write operations to the TCNT0 Register will block any Compare Match that occur in the next timer clock cycle, even when the timer is stopped. This feature allows OCR0x to be initialized to the same value as TCNT0 without triggering an interrupt when the Timer/Counter clock is enabled.

### 17.5.3 Using the Output Compare Unit

Since writing TCNT0 in any mode of operation will block all Compare Matches for one timer clock cycle, there are risks involved when changing TCNT0 while using the Output Compare Unit, independently of whether the Timer/Counter is running or not. If the value written to TCNT0 equals the OCR0x value, the Compare Match will be missed resulting in an incorrect waveform generation. Similarly, do not write the TCNT0 value equal to BOTTOM when the counter is down-counting.

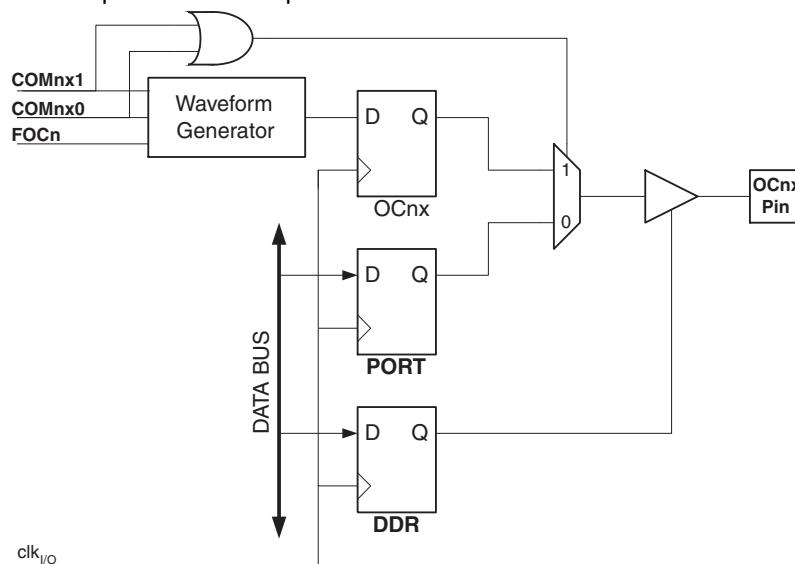
The setup of the OC0x should be performed before setting the Data Direction Register for the port pin to output. The easiest way of setting the OC0x value is to use the Force Output Compare (FOC0x) strobe bits in Normal mode. The OC0x Registers keep their values even when changing between Waveform Generation modes.

Be aware that the COM0x1:0 bits are not double buffered together with the compare value. A Change of the COM0x1:0 bits will take effect immediately.

## 17.6 Compare Match Output Unit

The Compare Output mode (COM0x1:0) bits have two functions. The Waveform Generator uses the COM0x1:0 bits for defining the Output Compare (OC0x) state at the next Compare Match. The COM0x1:0 bits control also the OC0x pin output source. Figure 17-4 shows a simplified schematic of the logic affected by the COM0x1:0 bit setting. The I/O Registers, I/O bits and I/O pins in the figure are shown in bold. Only the parts of the general I/O Port Control Registers (DDR and PORT) affected by the COM0x1:0 bits are shown. When referring to the OC0x state, the reference is to the internal OC0x Register and not to the OC0x pin. The OC0x Register is reset to “0” if a system reset occurs.

**Figure 17-4.** Compare Match Output Unit Schematic



The general I/O port function is overridden by the Output Compare (OC0x) from the Waveform Generator if either of the COM0x1:0 bits are set. However the OC0x pin direction (input or output) is still controlled by the Data Direction Register (DDR) of the port pin. The Data Direction Register bit of the OC0x pin (DDR\_OC0x) must be set as output before the OC0x value is visible at the pin. The port override function is independent of the Waveform Generation mode.

The design of the Output Compare pin logic allows initializing the OC0x state before the output is enabled. Note that some COM0x1:0 bit settings are reserved for certain modes of operation (see ["Register Description" on page 268](#)).

### 17.6.1 Compare Output Mode and Waveform Generation

The Waveform Generator uses the COM0x1:0 bits differently in Normal, CTC and PWM modes. A setting of COM0x1:0 = 0 tells the Waveform Generator in all modes that no action on the OC0x Register is to be performed on the next Compare Match. For compare output actions in the non-PWM modes refer to Table 17-2. For fast PWM mode refer to Table 17-3 and for phase correct PWM refer to Table 17-4.

A state change of the COM0x1:0 bits will have effect at the first Compare Match after the bits are written. For non-PWM modes the action can be forced to have immediate effect by using the FOC0x strobe bits.

The following table shows the COM0x1:0 bit functionality when the WGM02:0 bits are set to a normal or CTC mode (non-PWM).

**Table 17-2. Compare Output Mode, non-PWM Mode**

| COM0A1<br>COM0B1 | COM0A0<br>COM0B0 | Description                               |
|------------------|------------------|---|
| 0                | 0                | Normal port operation, OC0x disconnected; |
| 0                | 1                | Toggle OC0x on Compare Match;             |
| 1                | 0                | Clear OC0x on Compare Match;              |
| 1                | 1                | Set OC0x on Compare Match;                |

Table 17-3 shows the COM0x1:0 bit functionality when the WGM01:0 bits are set to fast PWM mode.

**Table 17-3. Compare Output Mode, Fast PWM Mode**

| COM0A1<br>COM0B1 | COM0A0<br>COM0B0 | Description  |
|------------------|------------------|--|
| 0                | 0                | Normal port operation, OC0x disconnected.  |
| 0                | 1                | WGM02 = 0: Normal Port Operation, OC0A Disconnected.<br>WGM02 = 1: Toggle OC0A on Compare Match.<br>OC0B: not applicable, reserved function; |
| 1                | 0                | Clear OC0x on Compare Match, set OC0x at BOTTOM, (non-inverting mode).   |
| 1                | 1                | Set OC0x on Compare Match, clear OC0x at BOTTOM, (inverting mode).   |

Note: A special case occurs when OCR0x equals TOP and COM0x1 is set. In this case, the Compare Match is ignored, but the set or clear is done at BOTTOM. See ["Fast PWM Mode" on page 263](#).

Table 17-4 shows the COM0x1:0 bit functionality when the WGM02:0 bits are set to phase correct PWM mode.

**Table 17-4. Compare Output Mode, Phase Correct PWM Mode**

| COM0A1<br>COM0B1 | COM0A0<br>COM0B0 | Description  |
|------------------|------------------|--|
| 0                | 0                | Normal port operation, OC0x disconnected.  |
| 0                | 1                | WGM02 = 0: Normal Port Operation, OC0A Disconnected.<br>WGM02 = 1: Toggle OC0A on Compare Match.<br>OC0B: not applicable, reserved function; |
| 1                | 0                | Clear OC0x on Compare Match when up-counting. Set OC0x on Compare Match when down-counting.  |
| 1                | 1                | Set OC0x on Compare Match when up-counting. Clear OC0x on Compare Match when down-counting.  |

Note: A special case occurs when OCR0x equals TOP and COM0x1 is set. In this case, the Compare Match is ignored, but the set or clear is done at TOP. See ["Fast PWM Mode" on page 263](#) for more details.

## 17.7 Modes of Operation

The mode of operation i.e., the behavior of the Timer/Counter and the Output Compare pins, is defined by the combination of the Waveform Generation mode (WGM02:0) and Compare Output mode (COM0x1:0) bits. The Compare Output mode bits do not affect the counting sequence while the Waveform Generation mode bits do. The COM0x1:0 bits control whether the PWM output generated should be inverted or not (inverted or non-inverted PWM). For non-PWM modes the COM0x1:0 bits control whether the output should be set, cleared, or toggled at a Compare Match (see "Output Compare Unit" on page 258).

For detailed timing information see "Timer/Counter Timing Diagrams" on page 266.

Table 17-5 shows the function of the WGM2:0 bits of registers TCCR0A and TCCR0B. These bits control the counting sequence of the counter, the source for maximum (TOP) counter value, and what type of waveform generation to be used.

**Table 17-5. Waveform Generation Mode Bit Description**

| Mode | WGM2 | WGM1 | WGM0 | Timer/Counter Mode of Operation | TOP  | Update of OCRX at | TOV Flag Set on <sup>(0,0)</sup> |
|------|------|------|------|---------------------------------|------|-------------------|----------------------------------|
| 0    | 0    | 0    | 0    | Normal                          | 0xFF | Immediate         | MAX                              |
| 1    | 0    | 0    | 1    | PWM, Phase Correct              | 0xFF | TOP               | BOTTOM                           |
| 2    | 0    | 1    | 0    | CTC                             | OCRA | Immediate         | MAX                              |
| 3    | 0    | 1    | 1    | Fast PWM                        | 0xFF | TOP               | MAX                              |
| 4    | 1    | 0    | 0    | Reserved                        | –    | –                 | –                                |
| 5    | 1    | 0    | 1    | PWM, Phase Correct              | OCRA | TOP               | BOTTOM                           |
| 6    | 1    | 1    | 0    | Reserved                        | –    | –                 | –                                |
| 7    | 1    | 1    | 1    | Fast PWM                        | OCRA | BOTTOM            | TOP                              |

- Notes:
1. MAX = 0xFF
  2. BOTTOM = 0x00

### 17.7.1 Normal Mode

The simplest mode of operation is the Normal mode (WGM02:0 = 0). In this mode the counting direction is always up (incrementing) and no counter clear is performed. The counter simply overruns when it passes its maximum 8-bit value (TOP = 0xFF) and then restarts from the BOTTOM (0x00). In normal operation the Timer/Counter Overflow Flag (TOV0) will be set at the same timer clock cycle when the TCNT0 becomes zero. The TOV0 Flag in this case behaves like a 9<sup>th</sup> bit, except that it is only set and not cleared. However, the timer resolution can be increased by software utilizing the timer overflow interrupt that automatically clears the TOV0 Flag. There are no special cases to consider in the Normal mode. A new counter value can be written at anytime.

The Output Compare Unit can be used to generate interrupts at some given time. It is not recommended to use the Output Compare for waveform generation in Normal mode, since this will occupy too much CPU time.

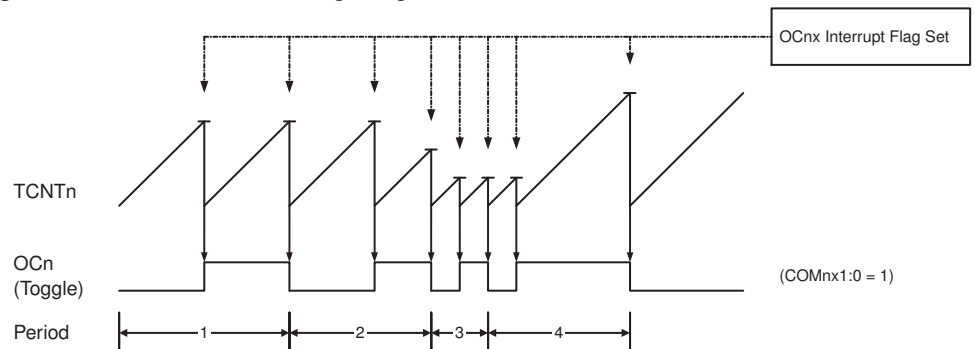
### 17.7.2 Clear Timer on Compare Match (CTC) Mode

In Clear Timer on Compare (CTC) mode (WGM02:0 = 2), the OCR0A Register is used to manipulate the counter resolution. In CTC mode the counter is cleared to zero when the counter value (TCNT0) matches OCR0A. The OCR0A value defines the TOP value

for the counter, hence also its resolution. This mode allows greater control of the Compare Match output frequency. It also simplifies the operation of counting external events.

The timing diagram for the CTC mode is shown in Figure 17-5. The counter value (TCNT0) increases until a Compare Match occurs between TCNT0 and OCR0A. The counter (TCNT0) is then cleared.

**Figure 17-5. CTC Mode Timing Diagram**



An interrupt can be generated each time the counter value reaches the TOP value by using the OCF0A Flag. If the interrupt is enabled, the interrupt handler routine can update the TOP value. However, changing TOP to a value close to BOTTOM when the counter is running with no or a low prescaler value must be done with care since the CTC mode does not have the double buffering feature. If the new value written to OCR0A is lower than the current value of TCNT0, the counter will miss the Compare Match. The counter will then have to count to its maximum value (0xFF) and wrap around starting at 0x00 before the Compare Match can occur.

For generating a waveform output in CTC mode, the OC0A output can be set to toggle its logical level on each Compare Match by setting the Compare Output mode bits to toggle mode (COM0A1:0 = 1). The OC0A value will not be visible on the port pin unless the data direction of the pin is set to output. The generated waveform will have a maximum frequency of  $f_{OC0} = f_{clk/I/O} / 2$  when OCR0A is set to zero (0x00). The waveform frequency is defined by the following equation:

$$f_{OC0x} = \frac{f_{clk/I/O}}{2 \cdot N \cdot (1 + OCR0x)}$$

The N variable represents the prescaler factor (1, 8, 64, 256 or 1024).

As for the Normal mode of operation, the TOV0 Flag is set in the same timer clock cycle that the counter changes from MAX to 0x00.

### 17.7.3 Fast PWM Mode

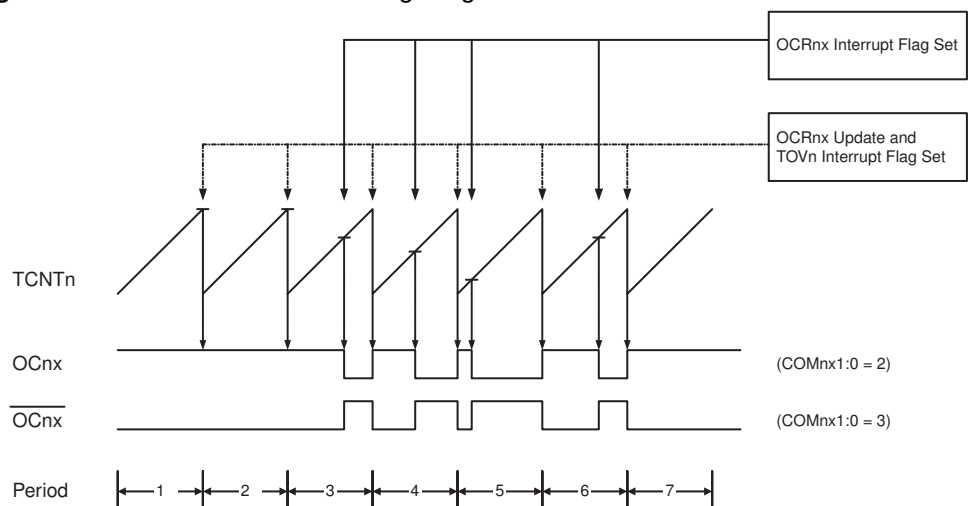
The fast Pulse Width Modulation (PWM) mode (WGM02:0 = 3 or 7) provides a high frequency PWM waveform generation option. The fast PWM mode differs from the other PWM modes by its single-slope operation. The counter counts from BOTTOM to TOP and then restarts from BOTTOM. TOP is defined as 0xFF when WGM2:0 = 3, and OCR0A when WGM2:0 = 7. In non-inverting Compare Output mode the Output Compare (OC0x) is cleared on the Compare Match between TCNT0 and OCR0x and set at BOTTOM. In inverting Compare Output mode the output is set on Compare Match and cleared at BOTTOM. Due to the single-slope operation, the operating frequency of the fast PWM mode can be twice as high as in the phase correct PWM mode that uses dual-slope operation. This high frequency operation makes the fast



PWM mode well suited for power regulation, rectification and DAC applications. The high frequency allows physically small sized external components (coils, capacitors), and therefore reduces total system cost.

In fast PWM mode, the counter is incremented until the counter value matches the TOP value. The counter is then cleared at the following timer clock cycle. The timing diagram for the fast PWM mode is shown in Figure 17-6. The TCNT0 value is shown in the timing diagram as a histogram illustrating the single-slope operation. The diagram includes non-inverted and inverted PWM outputs. The small horizontal line marks on the TCNT0 slopes represent Compare Matches between OCR0x and TCNT0.

**Figure 17-6.** Fast PWM Mode Timing Diagram



The Timer/Counter Overflow Flag (TOV0) is set each time the counter reaches TOP. The interrupt handler routine can be used for updating the compare value if the interrupt is enabled.

In fast PWM mode the compare unit allows generating PWM waveforms on the OC0x pins. Setting the COM0x1:0 bits to 2 will produce a non-inverted PWM. An inverted PWM output can be generated by setting the COM0x1:0 to 3. Setting the COM0A1:0 bits to 1 allows the OC0A pin to toggle on Compare Matches if the WGM02 bit is set. This option is not available for the OC0B pin (see [Table 17-3 on page 261](#)). The actual OC0x value will only be visible at the port pin if the data direction of the port pin is set to output. The PWM waveform is generated by setting (or clearing) the OC0x Register at the Compare Match between OCR0x and TCNT0, and by clearing (or setting) the OC0x Register at the timer clock cycle when the counter is cleared (changes from TOP to BOTTOM).

The PWM frequency for the output  $f_{OC0xPWM}$  can be calculated with the following equation:

$$f_{OC0xPWM} = \frac{f_{clkIO}}{N \cdot 256}$$

The N variable represents the prescale factor (1, 8, 64, 256 or 1024).

The extreme values for the OCR0A Register represent special cases when generating a PWM waveform output in the fast PWM mode. If the OCR0A is set equal to BOTTOM, the output will be a narrow spike for each MAX+1 timer clock cycle. Setting the OCR0A



equal to MAX will result in a constantly high or low output (depending on the polarity of the output set by the COM0A1:0 bits.)

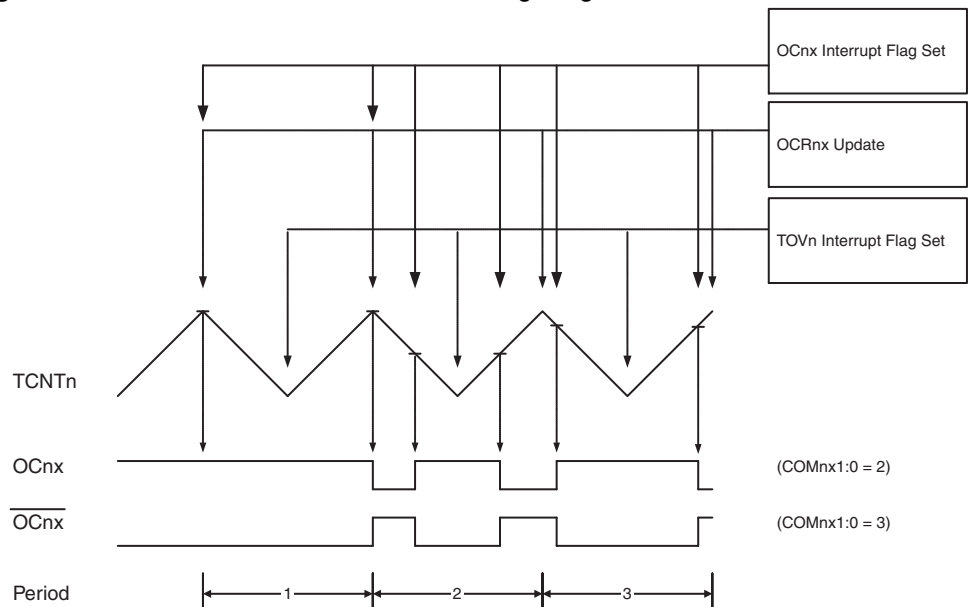
A frequency with 50% duty cycle waveform output in fast PWM mode can be achieved by setting OC0x to toggle its logical level on each Compare Match (COM0x1:0 = 1). The generated waveform will have a maximum frequency of  $f_{OC0xPWM} = f_{clkI/O}/2$  when OCR0A is set to zero. This feature is similar to the OC0A toggle in CTC mode, except that in the fast PWM mode the double buffer feature of the Output Compare unit is enabled.

## 17.7.4 Phase Correct PWM Mode

The phase correct pulse-width modulation (PWM) mode (WGM2:0 = 1 or 5) provides a phase-correct, high-resolution PWM waveform generation option. The phase correct PWM mode is based on a dual-slope operation. The counter counts repeatedly from BOTTOM to TOP and then from TOP to BOTTOM. TOP is defined as 0xFF when WGM2:0 = 1 and TOP = OCR0A when WGM2:0 = 5. In non-inverting Compare Output mode, the Output Compare (OC0x) is cleared on the Compare Match between TCNT0 and OCR0x while up-counting, and OC0x is set on the Compare Match while down-counting. The operation is inverted in inverting Output Compare mode. The dual-slope operation has a lower maximum operation frequency than single-slope operation. However, due to the symmetric feature of the dual-slope PWM modes, these modes are preferred for motor control applications.

In phase correct PWM mode the counter is incremented until the counter value matches TOP. The counter changes the direction when reaching TOP. The TCNT0 value will be equal to TOP for one timer clock cycle. The timing diagram for the phase correct PWM mode is shown in Figure 17-7 below. The TCNT0 value is shown in the timing diagram as a histogram illustrating the dual-slope operation. The diagram includes non-inverted and inverted PWM outputs. The small horizontal line marks on the TCNT0 slopes represent Compare Matches between OCR0x and TCNT0.

**Figure 17-7.** Phase Correct PWM Mode Timing Diagram



The Timer/Counter Overflow Flag (TOV0) is set each time the counter reaches BOTTOM. The Interrupt Flag can be used to generate an interrupt each time the counter reaches the BOTTOM value.

In phase correct PWM mode, the compare unit allows generating PWM waveforms on the OC0x pins. Setting the COM0x1:0 bits to 2 will produce a non-inverted PWM. An inverted PWM output can be generated by setting the COM0x1:0 to 3. Setting the COM0A0 bits to 1 allows the OC0A pin to toggle on Compare Matches if the WGM02 bit is set. This option is not available for the OC0B pin (see [Table 17-4 on page 261](#)). The actual OC0x value will only be visible at the port pin if the data direction for the port pin is set to output. The PWM waveform is generated by clearing (or setting) the OC0x Register at the Compare Match between OCR0x and TCNT0 when the counter increments, and by setting (or clearing) the OC0x Register at Compare Match between OCR0x and TCNT0 when the counter decrements. The PWM frequency for the output  $f_{OC0xPCPWM}$  when using phase-correct PWM can be calculated with the following equation:

$$f_{OC0xPCPWM} = \frac{f_{clkIO}}{N \cdot 510}$$

The N variable represents the prescale factor (1, 8, 64, 256 or 1024).

The extreme values for the OCR0A Register represent special cases when generating a PWM waveform output in the phase-correct PWM mode. If the OCR0A is set equal to BOTTOM, the output will be continuously low and if set equal to MAX the output will be continuously high for non-inverted PWM mode. For inverted PWM the output will have the opposite logic values.

At the very start of period 2 in [Figure 17-7](#) OCnx has a transition from high to low even though there is no Compare Match. The reason of this transition is to guarantee symmetry around BOTTOM. There are two cases that give a transition without Compare Match:

- OCR0x changes its value from MAX like in [Figure 17-7 on page 265](#). When the OCR0x value is MAX the OC0x pin value is the same as the result of a down-counting Compare Match. To ensure symmetry around BOTTOM the OC0x value at MAX must correspond to the result of an up-counting Compare Match.
- The timer starts counting from a value higher than the one in OCR0x. For that reason it misses the Compare Match and hence the OC0x change that would have happened on the way up.

## 17.8 Timer/Counter Timing Diagrams

The Timer/Counter is a synchronous design and the timer clock (clk<sub>T0</sub>) is therefore shown as a clock enable signal in the following figures. The figures include information on when Interrupt Flags are set. [Figure 17-8](#) contains timing data for basic Timer/Counter operation. The figure shows the count sequence close to the MAX value in all modes other than phase correct PWM mode.

**Figure 17-8.** Timer/Counter Timing Diagram, no Prescaling

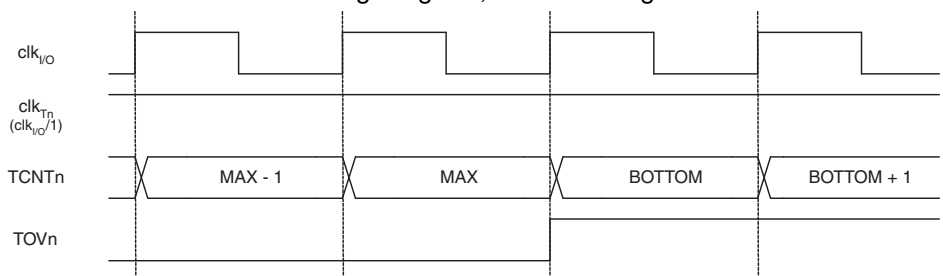


Figure 17-9 shows the same timing data, but with the prescaler enabled.

**Figure 17-9.** Timer/Counter Timing Diagram with Prescaler ( $f_{clkI/O}/8$ )

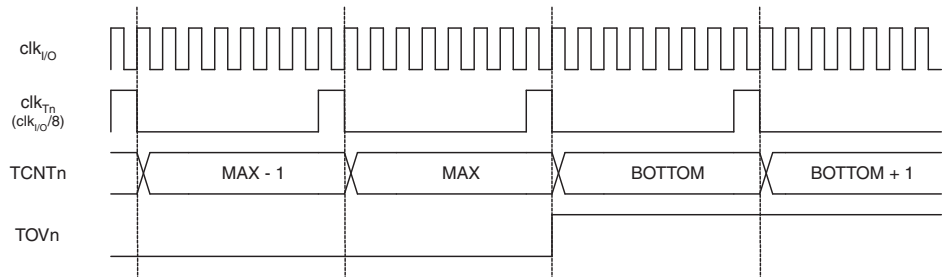


Figure 17-10 shows the setting of OCF0B and OCF0A in all modes except CTC and PWM mode, where OCR0A is TOP.

**Figure 17-10.** Timer/Counter Timing Diagram, setting of OCF0x with Prescaler ( $f_{clkI/O}/8$ )

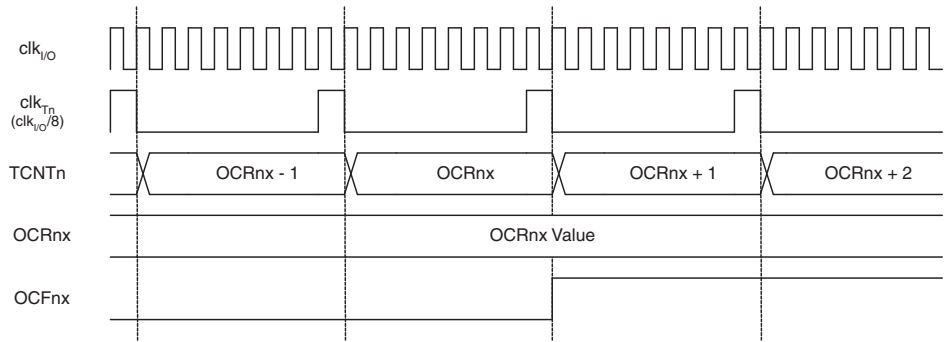
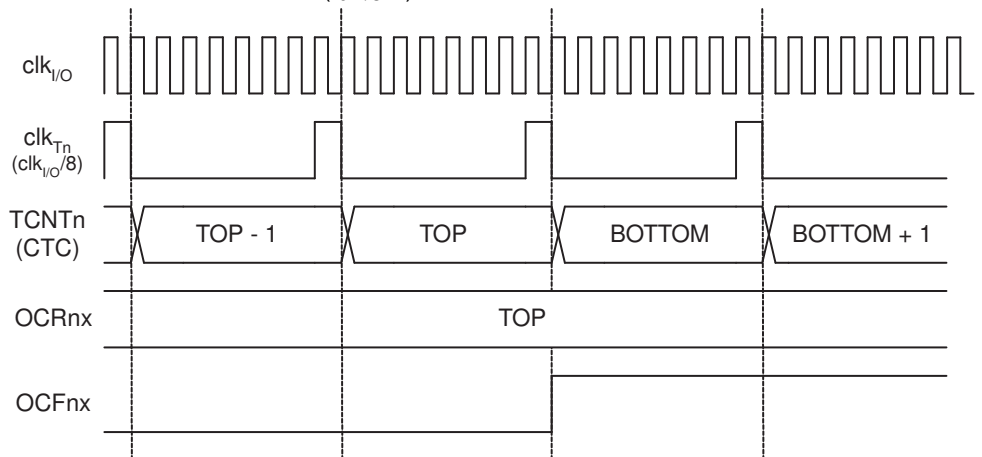


Figure 17-11 shows the setting of OCF0A and the clearing of TCNT0 in CTC mode and fast PWM mode where OCR0A is TOP.

**Figure 17-11.** Timer/Counter Timing Diagram, Clear Timer on Compare Match mode with Prescaler ( $f_{clkI/O}/8$ )



## 17.9 Register Description

### 17.9.1 GTCCR – General Timer/Counter Control Register

| Bit           | 7          | 6           | 5           | 4           | 3           | 2           | 1             | 0              |       |
|---------------|------------|-------------|-------------|-------------|-------------|-------------|---------------|----------------|-------|
| \$23 (\$43)   | <b>TSM</b> | <b>Res4</b> | <b>Res3</b> | <b>Res2</b> | <b>Res1</b> | <b>Res0</b> | <b>PSRASY</b> | <b>PSRSYNC</b> | GTCCR |
| Read/Write    | RW         | R           | R           | R           | R           | R           | R             | RW             |       |
| Initial Value | 0          | 0           | 0           | 0           | 0           | 0           | 0             | 0              |       |

- **Bit 7 – TSM - Timer/Counter Synchronization Mode**

Writing the TSM bit to one activates the Timer/Counter Synchronization mode. In this mode the value that is written to the PSRASY and PSRSYNC bits is kept, hence keeping the corresponding prescaler reset signals asserted. This ensures that the corresponding Timer/Counters are halted and can be configured to the same value without the risk of one of them advancing during the configuration. When the TSM bit is written to zero, the PSRASY and PSRSYNC bits are cleared by hardware and the Timer/Counters simultaneously start counting.

- **Bit 6:2 – Res4:0 - Reserved**

This bit is reserved for future use. A read access always will return zero. A write access does not modify the content.

- **Bit 1 – PSRASY - Prescaler Reset Timer/Counter2**

When this bit is one, the Timer/Counter2 prescaler will be reset. This bit is normally cleared immediately by hardware. If the bit is written when Timer/Counter2 is operating in asynchronous mode, the bit will remain one until the prescaler has been reset. The bit will not be cleared by hardware if the TSM bit is set.

- **Bit 0 – PSRSYNC - Prescaler Reset for Synchronous Timer/Counters**

When this bit is one, the Timer/Counter0, Timer/Counter1, Timer/Counter3, Timer/Counter4 and Timer/Counter5 prescaler will be reset. This bit is normally cleared immediately by hardware, except if the TSM bit is set. Note that Timer/Counter0, Timer/Counter1, Timer/Counter3, Timer/Counter4 and Timer/Counter5 share the same prescaler and a reset of this prescaler will affect all timers.

### 17.9.2 TCCR0A – Timer/Counter0 Control Register A

| Bit           | 7             | 6             | 5             | 4             | 3           | 2           | 1            | 0            |        |
|---------------|---------------|---------------|---------------|---------------|-------------|-------------|--------------|--------------|--------|
| \$24 (\$44)   | <b>COM0A1</b> | <b>COM0A0</b> | <b>COM0B1</b> | <b>COM0B0</b> | <b>Res1</b> | <b>Res0</b> | <b>WGM01</b> | <b>WGM00</b> | TCCR0A |
| Read/Write    | RW            | RW            | RW            | RW            | R           | R           | RW           | RW           |        |
| Initial Value | 0             | 0             | 0             | 0             | 0           | 0           | 0            | 0            |        |

- **Bit 7:6 – COM0A1:0 - Compare Match Output A Mode**

These bits control the Output Compare pin (OC0A) behavior. If one or both of the COM0A1:0 bits are set, the OC0A output overrides the normal port functionality of the I/O pin it is connected to. However, note that the Data Direction Register (DDR) bit corresponding to the OC0A pin must be set in order to enable the output driver. When OC0A is connected to the pin, the function of the COM0A1:0 bits depends on the WGM02:0 bit setting. The following shows the COM0A1:0 bit functionality when the WGM02:0 bits are set to a normal or CTC mode (non-PWM). For the functionality in other modes refer to section "Operating Modes".

**Table 17-6 COM0A Register Bits**

| Register Bits | Value | Description                              |
|---------------|-------|--|
| COM0A1:0      | 0     | Normal port operation, OC0A disconnected |
|               | 1     | Toggle OC0A on Compare Match             |
|               | 2     | Clear OC0A on Compare Match              |
|               | 3     | Set OC0A on Compare Match                |

- **Bit 5:4 – COM0B1:0 - Compare Match Output B Mode**

These bits control the Output Compare pin (OC0B) behavior. If one or both of the COM0B1:0 bits are set, the OC0B output overrides the normal port functionality of the I/O pin it is connected to. However, note that the Data Direction Register (DDR) bit corresponding to the OC0B pin must be set in order to enable the output driver. When OC0B is connected to the pin, the function of the COM0B1:0 bits depends on the WGM02:0 bit setting. The following shows the COM0B1:0 bit functionality when the WGM02:0 bits are set to a normal or CTC mode (non-PWM). For the functionality in other modes refer to section "Operating Modes".

**Table 17-7 COM0B Register Bits**

| Register Bits | Value | Description                              |
|---------------|-------|--|
| COM0B1:0      | 0     | Normal port operation, OC0B disconnected |
|               | 1     | Toggle OC0B on Compare Match             |
|               | 2     | Clear OC0B on Compare Match              |
|               | 3     | Set OC0B on Compare Match                |

- **Bit 3:2 – Res1:0 - Reserved Bit**

This bit is reserved for future use. A read access always will return zero. A write access does not modify the content.

- **Bit 1:0 – WGM01:00 - Waveform Generation Mode**

Combined with the WGM02 bit found in the TCCR0B Register, these bits control the counting sequence of the counter, the source for maximum (TOP) counter value, and what type of waveform generation to be used according to the following table. Modes of operation supported by the Timer/Counter0 unit are: Normal mode (counter), Clear Timer on Compare Match (CTC) mode, and two types of Pulse Width Modulation (PWM) modes (see section "Modes of Operation" for details).

**Table 17-8 WGM0 Register Bits**

| Register Bits | Value | Description                    |
|---------------|-------|--------------------------------|
| WGM02:00      | 0x0   | Normal mode of operation       |
|               | 0x1   | PWM, phase correct, TOP=0xFF   |
|               | 0x2   | CTC, TOP = OCRA                |
|               | 0x3   | Fast PWM, TOP=0xFF             |
|               | 0x4   | Reserved                       |
|               | 0x5   | PWM, Phase correct, TOP = OCRA |
|               | 0x6   | Reserved                       |
|               | 0x7   | Fast PWM, TOP=OCRA             |

### 17.9.3 TCCR0B – Timer/Counter0 Control Register B

| Bit           | 7            | 6            | 5           | 4           | 3            | 2           | 1           | 0           |               |
|---------------|--------------|--------------|-------------|-------------|--------------|-------------|-------------|-------------|---------------|
| \$25 (\$45)   | <b>FOC0A</b> | <b>FOC0B</b> | <b>Res1</b> | <b>Res0</b> | <b>WGM02</b> | <b>CS02</b> | <b>CS01</b> | <b>CS00</b> | <b>TCCR0B</b> |
| Read/Write    | W            | W            | R           | R           | RW           | RW          | RW          | RW          |               |
| Initial Value | 0            | 0            | 0           | 0           | 0            | 0           | 0           | 0           |               |

- **Bit 7 – FOC0A - Force Output Compare A**

The FOC0A bit is only active when the WGM02:0 bits specify a non-PWM mode. However, for ensuring compatibility with future devices, this bit must be set to zero when TCCR0B is written in a PWM operation mode. When writing a logical one to the FOC0A bit, an immediate Compare Match is forced on the Waveform Generation unit. The OC0A output is changed according to its COM0A1:0 bits setting. Note that the FOC0A bit is implemented as a strobe. Therefore it is the value present in the COM0A1:0 bits that determines the effect of the forced compare. A FOC0A strobe will not generate any interrupt nor will it clear the timer in CTC mode using OCR0A as TOP. The FOC0A bit is always read as zero.

- **Bit 6 – FOC0B - Force Output Compare B**

The FOC0B bit is only active when the WGM02:0 bits specify a non-PWM mode. However, for ensuring compatibility with future devices, this bit must be set to zero when TCCR0B is written in a PWM operation mode. When writing a logical one to the FOC0B bit, an immediate Compare Match is forced on the Waveform Generation unit. The OC0B output is changed according to its COM0B1:0 bits setting. Note that the FOC0B bit is implemented as a strobe. Therefore it is the value present in the COM0B1:0 bits that determines the effect of the forced compare. A FOC0B strobe will not generate any interrupt nor will it clear the timer in CTC mode using OCR0B as TOP. The FOC0B bit is always read as zero.

- **Bit 5:4 – Res1:0 - Reserved Bit**

This bit is reserved for future use. A read access always will return zero. A write access does not modify the content.

- **Bit 3 – WGM02 - Waveform Generation Mode**

Combined with the WGM01:00 bits found in the TCCR0A Register, these bits control the counting sequence of the counter, the source for maximum (TOP) counter value, and what type of waveform generation to be used. Modes of operation supported by the Timer/Counter unit are: Normal mode (counter), Clear Timer on Compare Match (CTC) mode, and two types of Pulse Width Modulation (PWM) modes (see section "Modes of Operation").

- **Bit 2:0 – CS02:00 - Clock Select**

The three Clock Select bits select the clock source to be used by the Timer/Counter0 according to the following table. If external pin modes are used for Timer/Counter0, transitions on the T0 pin will clock the counter even if the pin is configured as an output. This feature allows software control of the counting.

**Table 17-9 CS0 Register Bits**

| Register Bits | Value | Description                              |
|---------------|-------|--|
| CS02:00       | 0x00  | No clock source (Timer/Counter0 stopped) |
|               | 0x01  | clkIO/1 (no prescaling)                  |
|               | 0x02  | clkIO/8 (from prescaler)                 |
|               | 0x03  | clkIO/64 (from prescaler)                |

| Register Bits | Value | Description  |
|---------------|-------|--|
|               | 0x04  | clkIO/256 (from prescaler)                             |
|               | 0x05  | clkIO/1024 (from prescaler)                            |
|               | 0x06  | External clock source on T0 pin, clock on falling edge |
|               | 0x07  | External clock source on T0 pin, clock on rising edge  |

## 17.9.4 TCNT0 – Timer/Counter0 Register

| Bit           | 7              | 6              | 5              | 4              |       |
|---------------|----------------|----------------|----------------|----------------|-------|
| \$26 (\$46)   | <b>TCNT0_7</b> | <b>TCNT0_6</b> | <b>TCNT0_5</b> | <b>TCNT0_4</b> | TCNT0 |
| Read/Write    | RW             | RW             | RW             | RW             |       |
| Initial Value | 0              | 0              | 0              | 0              |       |
| Bit           | 3              | 2              | 1              | 0              |       |
| \$26 (\$46)   | <b>TCNT0_3</b> | <b>TCNT0_2</b> | <b>TCNT0_1</b> | <b>TCNT0_0</b> | TCNT0 |
| Read/Write    | RW             | RW             | RW             | RW             |       |
| Initial Value | 0              | 0              | 0              | 0              |       |

The Timer/Counter Register gives direct access, both for read and write operations, to the Timer/Counter0 unit 8-bit counter. Writing to the TCNT0 Register blocks (removes) the Compare Match on the following timer clock. Modifying the counter (TCNT0) while the counter is running, introduces a risk of missing a Compare Match between TCNT0 and the OCR0x Registers.

- **Bit 7:0 – TCNT0\_7:0 - Timer/Counter0 Byte**

## 17.9.5 OCR0A – Timer/Counter0 Output Compare Register

| Bit           | 7              | 6              | 5              | 4              |       |
|---------------|----------------|----------------|----------------|----------------|-------|
| \$27 (\$47)   | <b>OCR0A_7</b> | <b>OCR0A_6</b> | <b>OCR0A_5</b> | <b>OCR0A_4</b> | OCR0A |
| Read/Write    | RW             | RW             | RW             | RW             |       |
| Initial Value | 0              | 0              | 0              | 0              |       |
| Bit           | 3              | 2              | 1              | 0              |       |
| \$27 (\$47)   | <b>OCR0A_3</b> | <b>OCR0A_2</b> | <b>OCR0A_1</b> | <b>OCR0A_0</b> | OCR0A |
| Read/Write    | RW             | RW             | RW             | RW             |       |
| Initial Value | 0              | 0              | 0              | 0              |       |

The Output Compare Register A contains an 8-bit value that is continuously compared with the counter value (TCNT0). A match can be used to generate an Output Compare interrupt, or to generate a waveform output on the OC0A pin.

- **Bit 7:0 – OCR0A\_7:0 - Output Compare Register**

## 17.9.6 OCR0B – Timer/Counter0 Output Compare Register B

|               |   |    |    |    |              |
|---------------|---|----|----|----|--------------|
| Bit           | 7   | 6  | 5  | 4  |              |
| \$28 (\$48)   | <b>OCR0B_7    OCR0B_6    OCR0B_5    OCR0B_4</b> |    |    |    | <b>OCR0B</b> |
| Read/Write    | RW  | RW | RW | RW |              |
| Initial Value | 0   | 0  | 0  | 0  |              |
| Bit           | 3   | 2  | 1  | 0  |              |
| \$28 (\$48)   | <b>OCR0B_3    OCR0B_2    OCR0B_1    OCR0B_0</b> |    |    |    | <b>OCR0B</b> |
| Read/Write    | RW  | RW | RW | RW |              |
| Initial Value | 0   | 0  | 0  | 0  |              |

The Output Compare Register B contains an 8-bit value that is continuously compared with the counter value (TCNT0). A match can be used to generate an Output Compare interrupt, or to generate a waveform output on the OC0B pin.

- **Bit 7:0 – OCR0B\_7:0 - Output Compare Register**

## 17.9.7 TIMSK0 – Timer/Counter0 Interrupt Mask Register

|               |  |   |   |   |   |    |    |    |               |
|---------------|--|---|---|---|---|----|----|----|---------------|
| Bit           | 7  | 6 | 5 | 4 | 3 | 2  | 1  | 0  |               |
| NA (\$6E)     | <b>Res4    Res3    Res2    Res1    Res0    OCIE0B    OCIE0A    TOIE0</b> |   |   |   |   |    |    |    | <b>TIMSK0</b> |
| Read/Write    | R  | R | R | R | R | RW | RW | RW |               |
| Initial Value | 0  | 0 | 0 | 0 | 0 | 0  | 0  | 0  |               |

- **Bit 7:3 – Res4:0 - Reserved**

This bit is reserved for future use. A read access always will return zero. A write access does not modify the content.

- **Bit 2 – OCIE0B - Timer/Counter0 Output Compare Match B Interrupt Enable**

When the OCIE0B bit is written to one, and the I-bit in the Status Register is set, the Timer/Counter0 Compare Match B interrupt is enabled. The corresponding interrupt is executed if a Compare Match in Timer/Counter0 occurs, i.e., when the OCF0B bit is set in the Timer/Counter0 Interrupt Flag Register TIFR0.

- **Bit 1 – OCIE0A - Timer/Counter0 Output Compare Match A Interrupt Enable**

When the OCIE0A bit is written to one, and the I-bit in the Status Register is set, the Timer/Counter0 Compare Match A interrupt is enabled. The corresponding interrupt is executed if a Compare Match in Timer/Counter0 occurs, i.e., when the OCF0A bit is set in the Timer/Counter0 Interrupt Flag Register TIFR0.

- **Bit 0 – TOIE0 - Timer/Counter0 Overflow Interrupt Enable**

When the TOIE0 bit is written to one, and the I-bit in the Status Register is set, the Timer/Counter0 Overflow interrupt is enabled. The corresponding interrupt is executed if an overflow in Timer/Counter0 occurs i.e., when the TOV0 bit is set in the Timer/Counter0 Interrupt Flag Register TIFR0.



## 17.9.8 TIFR0 – Timer/Counter0 Interrupt Flag Register

| Bit           | 7           | 6           | 5           | 4           | 3           | 2            | 1            | 0           |       |
|---------------|-------------|-------------|-------------|-------------|-------------|--------------|--------------|-------------|-------|
| \$15 (\$35)   | <b>Res4</b> | <b>Res3</b> | <b>Res2</b> | <b>Res1</b> | <b>Res0</b> | <b>OCF0B</b> | <b>OCF0A</b> | <b>TOV0</b> | TIFR0 |
| Read/Write    | R           | R           | R           | R           | R           | RW           | RW           | RW          |       |
| Initial Value | 0           | 0           | 0           | 0           | 0           | 0            | 0            | 0           |       |

- **Bit 7:3 – Res4:0 - Reserved**

This bit is reserved for future use. A read access always will return zero. A write access does not modify the content.

- **Bit 2 – OCF0B - Timer/Counter0 Output Compare B Match Flag**

The OCF0B bit is set when a Compare Match occurs between the Timer/Counter0 and the data in OCR0B Output Compare Register. OCF0B is cleared by hardware when executing the corresponding interrupt handling vector. Alternatively, OCF0B is cleared by writing a logic one to the flag. When the I-bit in SREG, OCIE0B (Timer/Counter Compare B Match Interrupt Enable) and OCF0B are set, the Timer/Counter Compare Match Interrupt is executed.

- **Bit 1 – OCF0A - Timer/Counter0 Output Compare A Match Flag**

The OCF0A bit is set when a Compare Match occurs between the Timer/Counter0 and the data in OCR0A Output Compare Register. OCF0A is cleared by hardware when executing the corresponding interrupt handling vector. Alternatively, OCF0A is cleared by writing a logic one to the flag. When the I-bit in SREG, OCIE0A (Timer/Counter Compare A Match Interrupt Enable) and OCF0A are set, the Timer/Counter Compare Match Interrupt is executed.

- **Bit 0 – TOV0 - Timer/Counter0 Overflow Flag**

The bit TOV0 is set when an overflow occurs in Timer/Counter0. TOV0 is cleared by hardware when executing the corresponding interrupt handling vector. Alternatively, TOV0 is cleared by writing a logic one to the flag. When the SREG I-bit, TOIE0 (Timer/Counter0 Overflow Interrupt Enable) and TOV0 are set, the Timer/Counter0 Overflow interrupt is executed. The setting of this flag is dependent of the WGM02:0 bit setting.

## 18 16-bit Timer/Counter (Timer/Counter 1, 3, 4, and 5)

### 18.1 Features

- True 16-bit Design (i.e., allows 16-bit PWM)
- Three independent Output Compare Units
- Double Buffered Output Compare Registers
- One Input Capture Unit
- Input Capture Noise Canceller
- Clear Timer on Compare Match (Auto Reload)
- Glitch-free, Phase Correct Pulse Width Modulator (PWM)
- Variable PWM Period
- Frequency Generator
- External Event Counter
- Numerous independent interrupt sources
  - TOV1, OCF1A, OCF1B, OCF1C, ICF1
  - TOV3, OCF3A, OCF3B, OCF3C, ICF3
  - TOV4, OCF4A, OCF4B, OCF4C
  - TOV5, OCF5A, OCF5B, OCF5C

### 18.2 Overview

The 16-bit Timer/Counter unit allows accurate program execution timing (event management), wave generation and signal timing measurement.

Most register and bit references in this section are written in general form. A lower case “n” replaces the Timer/Counter number, and a lower case “x” replaces the Output Compare unit channel. However when using the register or bit defines in a program, the precise form must be used i.e., TCNT1 for accessing Timer/Counter1 counter value and so on.

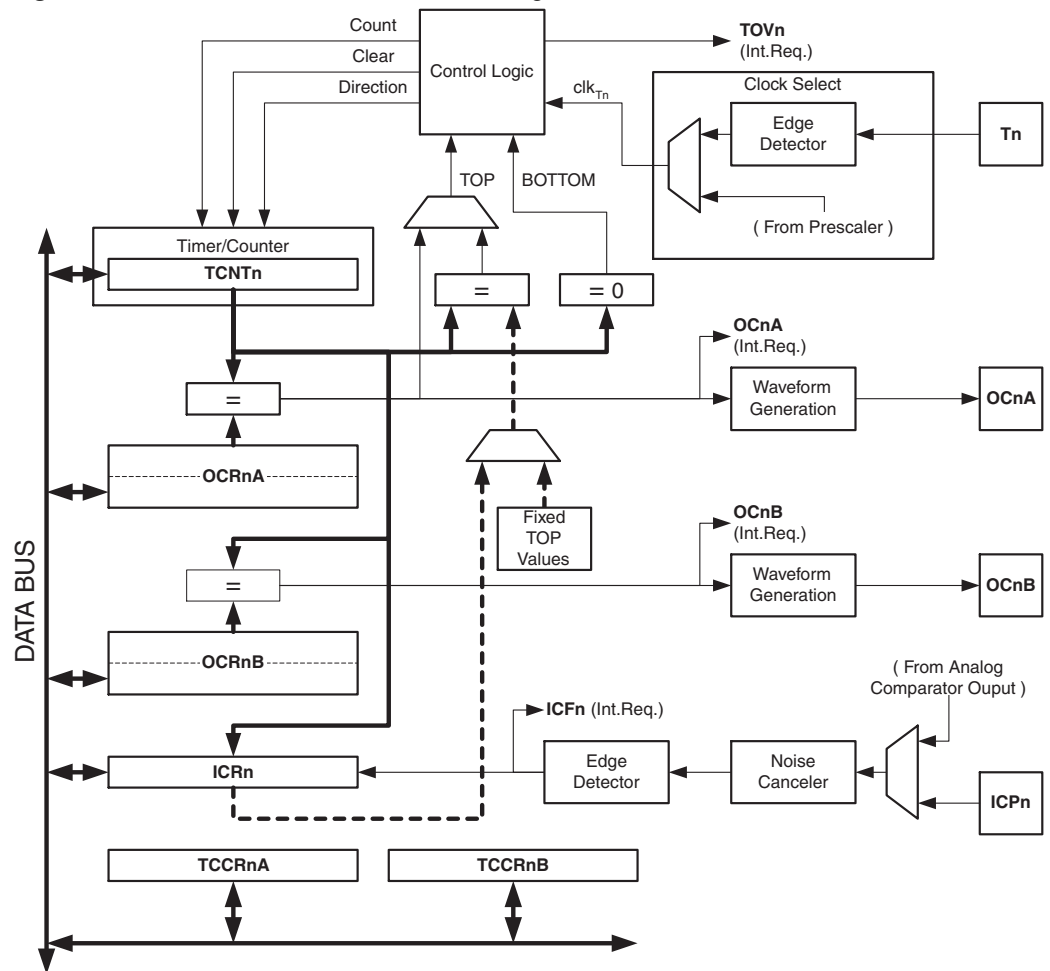
A simplified block diagram of the 16-bit Timer/Counter is shown in Figure 18-1. For the actual placement of I/O pins, see section ["Pin Configurations" on page 2](#). CPU accessible I/O Registers, including I/O bits and I/O pins are shown in bold. The device-specific I/O Register and bit locations are listed in the section ["Register Description" on page 296](#).

The Power Reduction Timer/Counter1 bit, PRTIM1, in ["PRR0 – Power Reduction Register0" on page 195](#) must be written to zero to enable Timer/Counter1 module.

The Power Reduction bits of Timer/Counter3 (PRTIM3), Timer/Counter4 bit (PRTIM4) and Timer/Counter5 (PRTIM5) in ["PRR1 – Power Reduction Register 1" on page 196](#) must be written to zero to enable the respective Timer/Counter module.

Note, note the complete Timer/Counter I/O functionality is provided for each Timer/Counter module depending on the available I/O pins.

Figure 18-1. 16-bit Timer/Counter Block Diagram<sup>(1)</sup>



Notes: 1. Refer to [Figure 1-1 on page 2](#), [Table 14-3 on page 224](#) and [Table 14-9 on page 228](#) for Timer/Counter1, 2 and 3 pin placements and description.

## 18.2.1 Registers

The Timer/Counter (TCNT $n$ ) Output Compare Registers (OCR $n$ A/B/C) and Input Capture Register (ICR $n$ ) are all 16-bit registers. Special procedures must be followed when accessing the 16-bit registers. These procedures are described in the section ["Accessing 16-bit Registers" on page 276](#). The Timer/Counter Control Registers (TCCR $n$ A/B/C) are 8-bit registers and have no CPU access restrictions. Interrupt requests (shortened as Int.Req.) signals are all visible in the Timer Interrupt Flag Register (TIFR $n$ ). All interrupts are individually masked with the Timer Interrupt Mask Register (TIMSK $n$ ). TIFR $n$  and TIMSK $n$  are not shown in the figure since these registers are shared by other timer units.

The Timer/Counter can be clocked internally, via the prescaler or by an external clock source on the T $n$  pin. The Clock Select logic block controls which clock source and which clock edge the Timer/Counter uses to increment (or decrement) its value. The Timer/Counter is inactive when no clock source is selected. The output from the clock select logic is referred to as the timer clock (clk $_{Tn}$ ).

The double buffered Output Compare Registers (OCR $n$ A/B/C) are compared with the

Timer/Counter value at all time. The result of the compare can be used by the Waveform Generator to generate a PWM or variable frequency output on the Output Compare pin (OCnA/B/C). See section "Output Compare Units" on page 282 for details. The compare match event will also set the Compare Match Flag (OCFnA/B/C) which can be used to generate an Output Compare interrupt request.

The Input Capture Register can capture the Timer/Counter value at a given external (edge triggered) event on either the Input Capture pin (ICPn) or on the Analog Comparator pins (see "AC – Analog Comparator" on page 438). The Input Capture unit includes a digital filtering unit (Noise Canceller) for reducing the chance of capturing noise spikes.

The TOP value, or maximum Timer/Counter value, can in some modes of operation be defined by either the OCRnA Register, the ICRn Register or by a set of fixed values. When using OCRnA as TOP value in a PWM mode, the OCRnA Register can not be used for generating a PWM output. However the TOP value will in this case be double buffered allowing the TOP value to be changed at run time. If a fixed TOP value is required, the ICRn Register can be used as an alternative, freeing the OCRnA to be used as PWM output.

## 18.2.2 Definitions

The following definitions are used extensively throughout the document:

**Table 18-1.** Definitions

|        |   |
|--------|---|
| BOTTOM | The counter reaches the BOTTOM when it becomes 0x0000.  |
| MAX    | The counter reaches its MAXimum when it becomes 0xFFFF (decimal 65535).   |
| TOP    | The counter reaches the TOP when it becomes equal to the highest value in the count sequence. The TOP value can be assigned to be one of the fixed values: 0x00FF, 0x01FF, 0x03FF or to the value stored in the OCRnA or ICRn Register. The assignment is dependent of the mode of operation. |

## 18.3 Accessing 16-bit Registers

The TCNTn, OCRnA/B/C and ICRn are 16-bit registers that can be accessed by the AVR CPU via the 8-bit data bus. The 16-bit register must be byte accessed using two read or write operations. Each 16-bit timer has a single 8-bit register for temporary storing of the high byte of the 16-bit access. The same Temporary Register is shared between all 16-bit registers within each 16-bit timer. Accessing the low byte triggers the 16-bit read or write operation. When the low byte of a 16-bit register is written by the CPU, the written low byte and the high byte stored in the Temporary Register are both copied into the 16-bit register in the same clock cycle. When the low byte of a 16-bit register is read by the CPU, the high byte of the 16-bit register is copied into the Temporary Register in the same clock cycle as the low byte is read.

Not all 16-bit accesses use the Temporary Register for the high byte. Reading the OCRnA/B/C 16-bit registers does not involve using the Temporary Register.

To do a 16-bit write, the high byte must be written before the low byte. For a 16-bit read, the low byte must be read before the high byte.

The following code examples show how to access the 16-bit timer registers assuming that no interrupt updates the temporary register. The same principle can be used directly for accessing the OCRnA/B/C and ICRn Registers. Note that when using the C-programming language, the compiler handles the 16-bit access.

## Assembly Code Examples<sup>(1)</sup>

```

...
; Set TCNTn to 0x01FF
ldi r17,0x01
ldi r16,0xFF
out TCNTnH,r17
out TCNTnL,r16
; Read TCNTn into r17:r16
in r16,TCNTnL
in r17,TCNTnH
...

```

## C Code Examples<sup>(1)</sup>

```

unsigned int i;
...
/* Set TCNTn to 0x01FF */
TCNTn = 0x1FF;
/* Read TCNTn into i */
i = TCNTn;
...

```

Notes: 1. See ["About Code Examples" on page 8](#).

The assembly code example returns the TCNT $n$  value in the r17:r16 register pair.

It is important to notice that accessing 16-bit registers are atomic operations. If an interrupt occurs between the two instructions accessing the 16-bit register and the interrupt code updates the temporary register by accessing the same or any other of the 16-bit Timer Registers, then the result of the access outside the interrupt will be corrupted. Therefore the main code must disable the interrupts during the 16-bit access when both the main code and the interrupt code update the temporary register.

The following code examples show how to do an atomic read of the TCNT $n$  Register contents. Reading any of the OCR $n$ A/B/C or ICR $n$  Registers can be done by using the same principle.

The assembly code example returns the TCNT $n$  value in the r17:r16 register pair.

## Assembly Code Examples<sup>(1)</sup>

```

TIM16_ReadTCNTn:
; Save global interrupt flag
in r18,SREG
; Disable interrupts
cli
; Read TCNTn into r17:r16
in r16,TCNTnL
in r17,TCNTnH
; Restore global interrupt flag
out SREG,r18
ret

```

## C Code Examples<sup>(1)</sup>

```

unsigned int TIM16_ReadTCNTn( void )
{
    unsigned char sreg;
    unsigned int i;
    /* Save global interrupt flag */
    sreg = SREG;
    /* Disable interrupts */
    __disable_interrupt();
    /* Read TCNTn into i */
    i = TCNTn;
    /* Restore global interrupt flag */
    SREG = sreg;
    return i;
}

```

Notes: 1. See ["About Code Examples" on page 8](#) .

The following code examples show how to do an atomic write of the TCNT $n$  Register contents. Writing any of the OCR $n$ A/B/C or ICR $n$  Registers can be done by using the same principle.

The assembly code example requires that the r17:r16 register pair contains the value to be written to TCNT $n$ .

## Assembly Code Examples<sup>(1)</sup>

```

TIM16_WriteTCNTn:
    ; Save global interrupt flag
    in r18,SREG
    ; Disable interrupts
    cli
    ; Set TCNTn to r17:r16
    out TCNTnH,r17
    out TCNTnL,r16
    ; Restore global interrupt flag
    out SREG,r18
    ret

```

## C Code Examples<sup>(1)</sup>

```

void TIM16_WriteTCNTn( unsigned int i )
{
    unsigned char sreg;
    unsigned int i;
    /* Save global interrupt flag */
    sreg = SREG;
    /* Disable interrupts */
    __disable_interrupt();
    /* Set TCNTn to i */
    TCNTn = i;
    /* Restore global interrupt flag */
    SREG = sreg;
}

```

Notes: 1. See ["About Code Examples" on page 8](#).

### 18.3.1 Reusing the Temporary High Byte Register

If writing to more than one 16-bit register where the high byte is the same for all registers written, then the high byte only needs to be written once. However note that the same rule of atomic operation described previously also applies in this case.

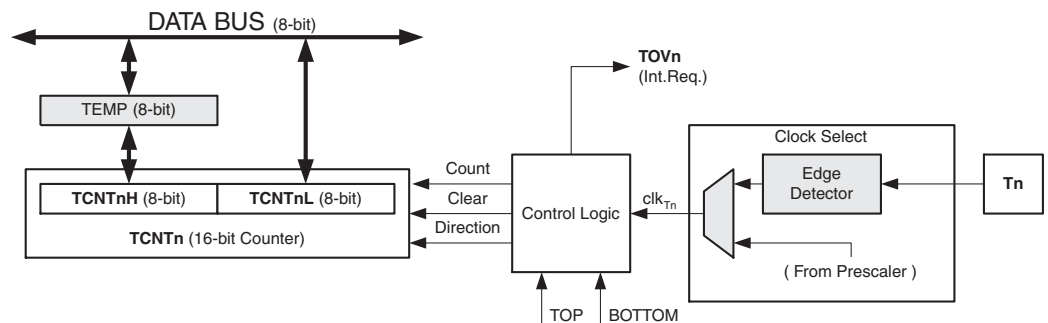
## 18.4 Timer/Counter Clock Sources

The Timer/Counter can be clocked by an internal or an external clock source. The clock source is selected by the Clock Select logic which is controlled by the Clock Select (CS<sub>n2:0</sub>) bits located in the Timer/Counter control Register B (TCCR<sub>nB</sub>). For details on clock sources and prescaler, see ["Timer/Counter 0, 1, 3, 4, and 5 Prescaler" on page 334](#).

## 18.5 Counter Unit

The main part of the 16-bit Timer/Counter is the programmable 16-bit bi-directional counter unit. The following figure shows a block diagram of the counter and its surroundings.

**Figure 18-2. Counter Unit Block Diagram**



Signal description (internal signals):

|                  |  |
|------------------|--|
| <b>Count</b>     | Increment or decrement TCNT <sub>n</sub> by 1; |
| <b>Direction</b> | Select between increment and decrement;        |

|                         |   |
|-------------------------|---|
| <b>Clear</b>            | Clear TCNT $n$ (set all bits to zero);                    |
| <b>clk<sub>Tn</sub></b> | Timer/Counter clock;                                      |
| <b>TOP</b>              | Signalize that TCNT $n$ has reached maximum value;        |
| <b>BOTTOM</b>           | Signalize that TCNT $n$ has reached minimum value (zero); |

The 16-bit counter is mapped into two 8-bit I/O memory locations: Counter High (TCNT $n$ H) contains the upper eight bits of the counter and Counter Low (TCNT $n$ L) contains the lower eight bits. The TCNT $n$ H Register can only be indirectly accessed by the CPU. When the CPU does an access to the TCNT $n$ H I/O location, the CPU accesses the high byte temporary register (TEMP). The temporary register is updated with the TCNT $n$ H value when the TCNT $n$ L is read and TCNT $n$ H is updated with the temporary register value when TCNT $n$ L is written. This allows the CPU to read or write the entire 16-bit counter value within one clock cycle via the 8-bit data bus. It is important to notice that there are special cases of writing to the TCNT $n$  Register giving unpredictable results when the counter is running. These special cases are described in the sections of their importance.

Depending on the mode of operation, the counter is cleared, incremented or decremented at each timer clock (clk<sub>Tn</sub>). The clk<sub>Tn</sub> can be generated from an external or internal clock source selected by the Clock Select bits (CS $n$ 2:0). The timer is stopped when no clock source is selected (CS $n$ 2:0 = 0). However, the TCNT $n$  value can be accessed by the CPU independent of whether clk<sub>Tn</sub> is present or not. A CPU write overrides (has priority over) all counter clear or count operations.

The counting sequence is determined by the settings of the Waveform Generation mode bits (WGM $n$ 3:0) located in the Timer/Counter Control Registers A and B (TCCR $n$ A and TCCR $n$ B). There are close connections between how the counter behaves (counts) and how waveforms are generated on the Output Compare outputs OC $n$ x. For more details about advanced counting sequences and waveform generation, see "[Modes of Operation](#)" on page 286.

The Timer/Counter Overflow Flag (TOV $n$ ) is set according to the mode of operation selected by the WGM $n$ 3:0 bits. TOV $n$  can be used for generating a CPU interrupt.

## 18.6 Input Capture Unit

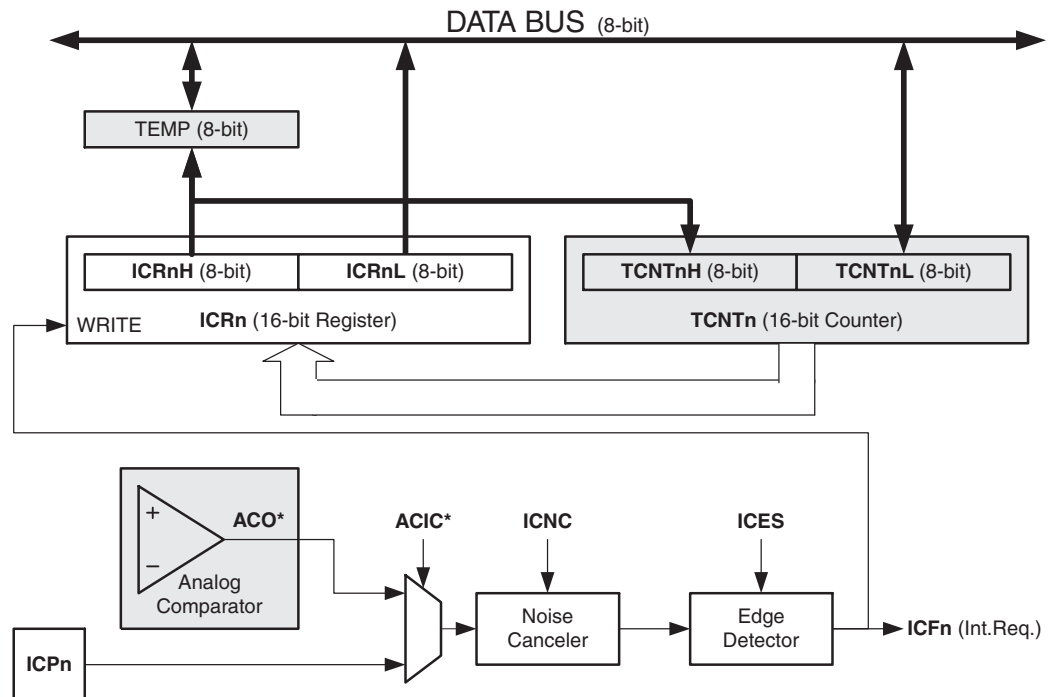
The Timer/Counter incorporates an input capture unit that can capture external events and give them a time-stamp indicating time of occurrence. The external signal indicating an event, or multiple events, can be applied via the ICP $n$  pin or alternatively, for the Timer/Counter1 only, via the Analog Comparator unit. The time-stamps can then be used to calculate frequency, duty-cycle and other features of the signal applied. Alternatively the time-stamps can be used for creating a log of the events.

The Input Capture unit is illustrated by the block diagram shown in Figure 18-3. The elements of the block diagram not direct parts of the input capture unit are gray shaded. The small "n" in register and bit names indicates the Timer/Counter number.

A capture will be triggered when a change of the logic level (an event) occurs on the Input Capture Pin (ICP $n$ ), or alternatively on the analog Comparator output (ACO), and this change matches the setting of the edge detector. When a capture is triggered, the 16-bit value of the counter (TCNT $n$ ) is written to the Input Capture Register (ICR $n$ ). The Input Capture Flag (ICF $n$ ) is set at the same system clock as the TCNT $n$  value is copied into ICR $n$  Register. If enabled (TICIE $n$  = 1), the input capture flag generates an input capture interrupt. The ICF $n$  flag is automatically cleared when the interrupt is executed. Alternatively the ICF $n$  flag can be software-cleared by writing a logical one to its I/O bit location.



**Figure 18-3.** Input Capture Unit Block Diagram



Note: 1. The Analog Comparator Output (ACO) can only trigger the Timer/Counter1 ICP – not Timer/Counter3, 4 or 5.

Reading the 16-bit value in the Input Capture Register (ICR $n$ ) is done by first reading the low byte (ICR $n$ L) and then the high byte (ICR $n$ H). When the low byte is read the high byte is copied into the high byte Temporary Register (TEMP). The CPU will access the TEMP Register when reading the ICR $n$ H I/O location.

The ICR $n$  Register can only be written when using a Waveform Generation mode that utilizes the ICR $n$  Register for defining the counter's TOP value. In these cases the Waveform Generation mode (WGM $n$ 3:0) bits must be set before the TOP value can be written to the ICR $n$  Register. When writing the ICR $n$  Register the high byte must be written to the ICR $n$ H I/O location before the low byte is written to ICR $n$ L.

For more information on how to access the 16-bit registers refer to ["Accessing 16-bit Registers"](#) on page 276.

## 18.6.1 Input Capture Trigger Source

The main trigger source for the input capture unit is the Input Capture Pin (ICP $n$ ). Timer/Counter1 can alternatively use the analog comparator output as trigger source for the input capture unit. The Analog Comparator is selected as trigger source by setting the analog Comparator Input Capture (ACIC) bit in the Analog Comparator Control and Status Register (ACSR). Be aware that changing trigger source can trigger a capture. The input capture flag must therefore be cleared after the change.

Both the Input Capture Pin (ICP $n$ ) and the Analog Comparator output (ACO) inputs are sampled using the same technique as for the T $n$  pin ([Figure 19-1 on page 334](#)). The edge detector is also identical. However, when the noise canceller is enabled, additional logic is inserted before the edge detector increasing the delay by four system

clock cycles. Note that the input of the noise canceller and edge detector is always enabled unless the Timer/Counter is set in a Waveform Generation mode that uses  $ICR_n$  to define TOP.

An input capture can be software-triggered by controlling the port of the  $ICP_n$  pin.

### 18.6.2 Noise Canceller

The noise canceller improves noise immunity by using a simple digital filtering scheme. The noise canceller input is monitored over four samples and all four must be equal for changing the output that in turn is used by the edge detector.

The noise canceller is enabled by setting the Input Capture Noise Canceller ( $ICNC_n$ ) bit in Timer/Counter Control Register B ( $TCCR_nB$ ). When enabled the noise canceller introduces additional four system clock cycles of delay from a change applied to the input to the update of the  $ICR_n$  Register. The noise canceller uses the system clock and is therefore not affected by the prescaler.

### 18.6.3 Using the Input Capture Unit

The main challenge when using the Input Capture unit is to assign enough processor capacity for handling the incoming events. The time between two events is critical. The  $ICR_n$  will be overwritten with a new value if the processor has not read the captured value in the  $ICR_n$  Register before the next event occurs. In this case the result of the capture will be incorrect.

When using the Input Capture interrupt, the  $ICR_n$  Register should be read as early in the interrupt handler routine as possible. Even though the Input Capture interrupt has relatively high priority, the maximum interrupt response time is dependent on the maximum number of clock cycles it takes to handle any of the other interrupt requests.

It is not recommended to use the Input Capture unit in any mode of operation where the TOP value (resolution) is actively changed while counting.

Measurement of the duty cycle of an external signal requires that the trigger edge is changed after each capture. Changing the edge sensing must be done as early as possible after the  $ICR_n$  Register has been read. After a change of the edge, the Input Capture Flag ( $ICF_n$ ) must be cleared by software (writing a logical one to the I/O bit location). For measuring frequency only, the clearing of the  $ICF_n$  Flag is not required (if an interrupt handler is used).

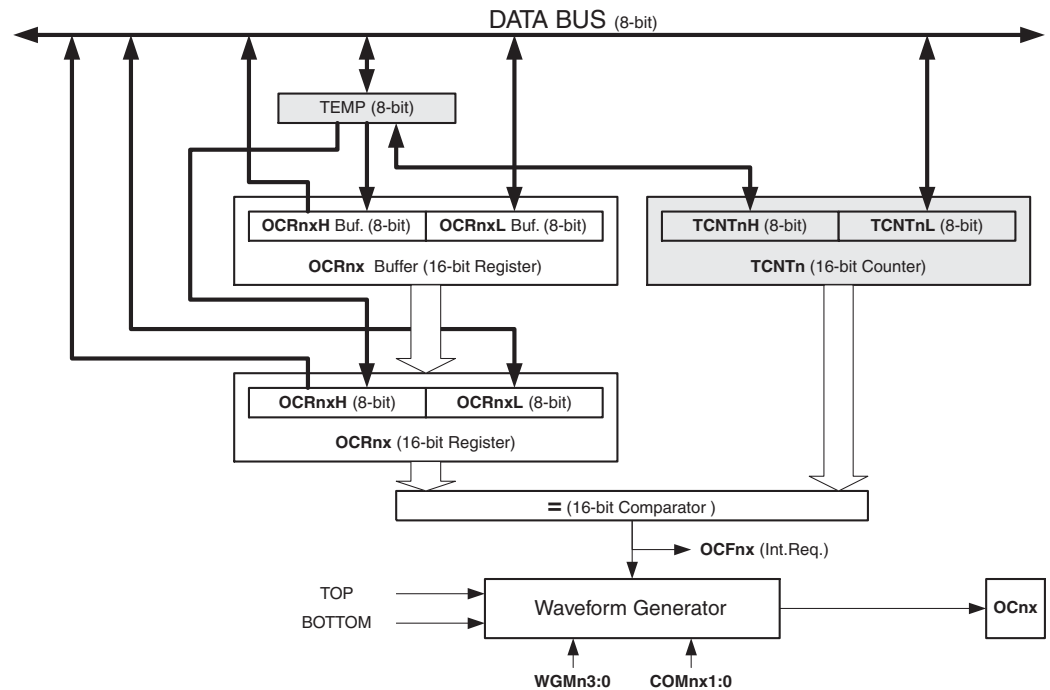
## 18.7 Output Compare Units

The 16-bit comparator continuously compares  $TCNT_n$  with the Output Compare Register ( $OCR_{nx}$ ). If  $TCNT_n$  equals  $OCR_{nx}$  the comparator signals a match. A match will set the Output Compare Flag ( $OCF_{nx}$ ) at the next clock cycle of the timer. If enabled ( $OCIE_{nx} = 1$ ), the Output Compare Flag generates an Output Compare interrupt. The  $OCF_{nx}$  Flag is automatically cleared when the interrupt is executed. Alternatively the  $OCF_{nx}$  Flag can be software-cleared by writing a logical one to its I/O bit location. The Waveform Generator uses the match signal to generate an output according to the Waveform Generation mode bits ( $WGM_{n3:0}$ ) and Compare Output mode bits ( $COM_{n1:0}$ ). The TOP and BOTTOM signals are used by the Waveform Generator for handling the special cases of the extreme values in some modes of operation (see "Modes of Operation" on page 286).

A special feature of Output Compare unit A allows it to define the Timer/Counter TOP value i.e., the counter resolution. In addition to the counter resolution, the TOP value defines the period time for waveforms generated by the Waveform Generator.

Figure 18-4 shows a block diagram of the Output Compare unit. The small “*n*” in the register and bit names indicates the device number ( $n = \text{Timer/Counter } n$ ), and the “*x*” indicates Output Compare unit A, B or C. The elements of the block diagram not direct parts of the Output Compare unit are gray shaded.

**Figure 18-4.** Output Compare Unit Block Diagram



The  $OCR_{nx}$  Register is double buffered when using any of the twelve Pulse Width Modulation (PWM) modes. For the Normal and Clear Timer on Compare (CTC) modes of operation, the double buffering is disabled. The double buffering synchronizes the update of the  $OCR_{nx}$  Compare Register to either TOP or BOTTOM of the counting sequence. The synchronization prevents the occurrence of odd-length, non-symmetrical PWM pulses, thereby making the output glitch-free.

The  $OCR_{nx}$  Register access may seem complex, but this is not the case. When the double buffering is enabled, the CPU has access to the  $OCR_{nx}$  Buffer Register. If double buffering is disabled the CPU will access the  $OCR_{nx}$  directly. The content of the  $OCR_{1x}$  (Buffer or Compare) Register is only changed by a write operation (the Timer/Counter does not update this register automatically as the  $TCNT1$  and  $ICR1$  Register). Therefore  $OCR_{1x}$  is not read via the high byte temporary register (TEMP). However, it is a good practice to read the low byte first similar to accessing other 16-bit registers. Writing the  $OCR_{nx}$  Registers must be done via the TEMP Register since the compare of all 16 bits is done continuously. The high byte ( $OCR_{nxH}$ ) has to be written first. The TEMP Register will be updated with the value written by the CPU to the high byte I/O location. Then when the low byte ( $OCR_{nxL}$ ) is written to the lower eight bits, the high byte will be copied into the upper 8-bits of either the  $OCR_{nx}$  buffer or  $OCR_{nx}$  Compare Register in the same system clock cycle.

For more information of how to access the 16-bit registers refer to ["Accessing 16-bit Registers"](#) on page 276.

### 18.7.1 Force Output Compare

In non-PWM Waveform Generation modes, the match output of the comparator can be forced by writing a one to the Force Output Compare (FOC<sub>*n*</sub>) bit. Forcing compare match will not set the OCF<sub>*n*</sub> Flag or reload/clear the timer, but the OC<sub>*n*</sub> pin will be updated as if a real compare match had occurred (the COM<sub>*n*</sub>1:0 bits settings define whether the OC<sub>*n*</sub> pin is set, cleared or toggled).

### 18.7.2 Compare Match Blocking by TCNT<sub>*n*</sub> Write

All CPU writes to the TCNT<sub>*n*</sub> Register will block any compare match that occurs in the next clock cycle of the timer even when the timer is stopped. This feature allows OCR<sub>*n*</sub> to be initialized to the same value as TCNT<sub>*n*</sub> without triggering an interrupt when the Timer/Counter clock is enabled.

### 18.7.3 Using the Output Compare Unit

Since writing TCNT<sub>*n*</sub> in any mode of operation will block all compare matches for one timer clock cycle, there are risks involved when changing TCNT<sub>*n*</sub> using any of the Output Compare channels, independent of whether the Timer/Counter is running or not. If the value written to TCNT<sub>*n*</sub> equals the OCR<sub>*n*</sub> value, the compare match will be missed resulting in incorrect waveform generation. Do not write the TCNT<sub>*n*</sub> equal to TOP in PWM modes with variable TOP values. The compare match for the TOP will be ignored and the counter will continue to 0xFFFF. Similarly, do not write the TCNT<sub>*n*</sub> value equal to BOTTOM when the counter is down-counting.

The setup of the OC<sub>*n*</sub> should be performed before setting the Data Direction Register for the port pin to output. The easiest way of setting the OC<sub>*n*</sub> value is to use the Force Output Compare (FOC<sub>*n*</sub>) strobe bits in Normal mode. The OC<sub>*n*</sub> Register keeps its value even when changing between Waveform Generation modes.

Be aware that the COM<sub>*n*</sub>1:0 bits are not double buffered together with the compare value. A change of the COM<sub>*n*</sub>1:0 bits will immediately take effect.

## 18.8 Compare Match Output Unit

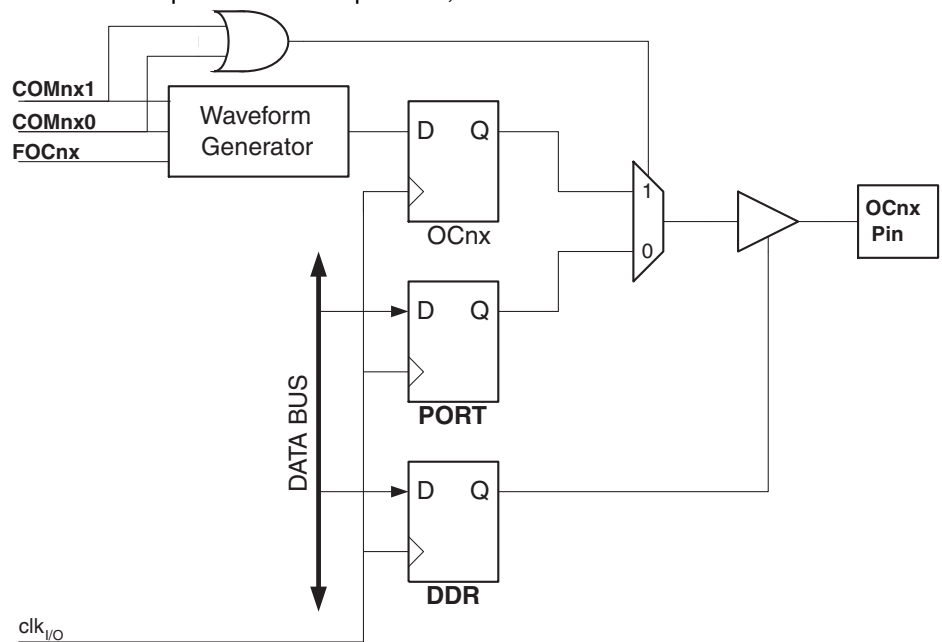
The Compare Output mode (COM<sub>*n*</sub>1:0) bits have two functions. The Waveform Generator uses the COM<sub>*n*</sub>1:0 bits for defining the Output Compare (OC<sub>*n*</sub>) state at the next compare match. Secondly the COM<sub>*n*</sub>1:0 bits control the OC<sub>*n*</sub> pin output source. Figure 18-5 shows a simplified schematic of the logic affected by the COM<sub>*n*</sub>1:0 bit setting. The I/O Registers, I/O bits and I/O pins in the figure are shown in bold. Only the parts of the general I/O Port Control Registers (DDR and PORT) that are affected by the COM<sub>*n*</sub>1:0 bits are shown. When referring to the OC<sub>*n*</sub> state, the reference is to the internal OC<sub>*n*</sub> Register and not to the OC<sub>*n*</sub> pin. After a system reset the OC<sub>*n*</sub> Register will have a value of "0".

The general I/O port function is overridden by the Output Compare (OC<sub>*n*</sub>) from the Waveform Generator if either of the COM<sub>*n*</sub>1:0 bits are set. However, the OC<sub>*n*</sub> pin direction (input or output) is still controlled by the Data Direction Register (DDR) for the port pin. The Data Direction Register bit for the OC<sub>*n*</sub> pin (DDR\_OC<sub>*n*</sub>) must be set as output before the OC<sub>*n*</sub> value is visible on the pin. The port override function is generally independent of the Waveform Generation mode, but there are some exceptions. Refer to Table 18-2, Table 18-3 and [Table 18-4 on page 286](#) for details.

The design of the Output Compare pin logic allows initialization of the OC<sub>*n*</sub> state before the output is enabled. Note that some COM<sub>*n*</sub>1:0 bit settings are reserved for certain modes of operation (see section "[Register Description](#)" on page 296).

The COM<sub>*n*</sub>1:0 bits have no effect on the Input Capture unit.

**Figure 18-5.** Compare Match Output Unit, Schematic



## 18.8.1 Compare Output Mode and Waveform Generation

The Waveform Generator uses the  $COMnx1:0$  bits differently in normal, CTC and PWM modes. A setting of  $COMnx1:0 = 0$  tells the Waveform Generator in all modes that no action on the  $OCnx$  Register is to be performed on the next compare match. For compare output actions in the non-PWM modes refer to Table 18-2. For fast PWM mode refer to Table 18-3 and for phase-correct and phase-and-frequency-correct PWM refer to Table 18-4.

A change of the  $COMnx1:0$  bits state will have effect at the first compare match after the bits are written. For non-PWM modes, the action can be forced to have immediate effect by using the  $FOCnx$  strobe bits.

Table 18-2 shows the  $COMnx1:0$  bit functionality when the  $WGMn3:0$  bits are set to a normal or a CTC mode (non-PWM).

**Table 18-2.** Compare Output Mode, non-PWM

| $COMnA1$<br>$COMnB1$<br>$COMnC1$ | $COMnA0$<br>$COMnB0$<br>$COMnC0$ | Description  |
|----------------------------------|----------------------------------|--|
| 0                                | 0                                | Normal port operation, $OCnA/OCnB/OCnC$ disconnected.              |
| 0                                | 1                                | Toggle $OCnA/OCnB/OCnC$ on compare match.                          |
| 1                                | 0                                | Clear $OCnA/OCnB/OCnC$ on compare match (set output to low level). |
| 1                                | 1                                | Set $OCnA/OCnB/OCnC$ on compare match (set output to high level).  |

Table 18-3 shows the  $COMnx1:0$  bit functionality when the  $WGMn3:0$  bits are set to the fast PWM mode.

**Table 18-3.** Compare Output Mode, Fast PWM

| COMnA1<br>COMnB1<br>COMnC1 | COMnA0<br>COMnB0<br>COMnC0 | Description  |
|----------------------------|----------------------------|--|
| 0                          | 0                          | Normal port operation, OCnA/OCnB/OCnC disconnected.  |
| 0                          | 1                          | WGM13:0 = 14 or 15: Toggle OC1A on Compare Match, OC1B and OC1C disconnected (normal port operation). For all other WGM1 settings, normal port operation, OC1A/OC1B/OC1C disconnected. |
| 1                          | 0                          | Clear OCnA/OCnB/OCnC on compare match; set OCnA/OCnB/OCnC at BOTTOM (non-inverting mode).  |
| 1                          | 1                          | Set OCnA/OCnB/OCnC on compare match, clear OCnA/OCnB/OCnC at BOTTOM (inverting mode).  |

Note: 1. A special case occurs when OCRnA/OCRnB/OCRnC equals TOP and COMnA1/COMnB1/COMnC1 is set. In this case the compare match is ignored, but the set or clear is done at BOTTOM. See ["Fast PWM Mode" on page 288](#) for more details.

Table 18-4 shows the COMnx1:0 bit functionality when the WGMn3:0 bits are set to the phase correct and phase and frequency correct PWM mode.

**Table 18-4.** Compare Output Mode, Phase Correct and Phase/Frequency Correct PWM

| COMnA1<br>COMnB1<br>COMnC1 | COMnA0<br>COMnB0<br>COMnC0 | Description   |
|----------------------------|----------------------------|---|
| 0                          | 0                          | Normal port operation, OCnA/OCnB/OCnC disconnected.   |
| 0                          | 1                          | WGM13:0 = 9 or 11: Toggle OC1A on Compare Match, OC1B and OC1C disconnected (normal port operation). For all other WGM1 settings, normal port operation, OC1A/OC1B/OC1C disconnected. |
| 1                          | 0                          | Clear OCnA/OCnB/OCnC on compare match when up-counting. Set OCnA/OCnB/OCnC on compare match when down-counting.   |
| 1                          | 1                          | Set OCnA/OCnB/OCnC on compare match when up-counting. Clear OCnA/OCnB/OCnC on compare match when down-counting.   |

Note: 1. A special case occurs when OCRnA/OCRnB/OCRnC equals TOP and COMnA1/COMnB1/COMnC1 is set. See ["Phase and Frequency Correct PWM Mode" on page 292](#) for more details.

## 18.9 Modes of Operation

The mode of operation i.e., the behavior of the Timer/Counter and the Output Compare pins, is defined by the combination of the Waveform Generation mode (WGMn3:0) and the Compare Output mode (COMnx1:0) bits. The Compare Output mode bits do not affect the counting sequence, but the Waveform Generation mode bits do. The COMnx1:0 bits control whether the PWM output generated should be inverted or not (inverted or non-inverted PWM). For non-PWM modes the COMnx1:0 bits control if the output should be set, cleared or toggle at a compare match (See ["Compare Match Output Unit" on page 284](#))

**Table 18-5.** Waveform Generation Mode Bit Description <sup>(1)</sup>

| Mode | WGMn3 | WGMn2 (CTCn) | WGMn1 (PWMn1) | WGMn0 (PWMn0) | Timer/Counter Mode of Operation  | TOP    | Update of OCRn <sub>x</sub> at | TOVn Flag Set on |
|------|-------|--------------|---------------|---------------|----------------------------------|--------|--------------------------------|------------------|
| 0    | 0     | 0            | 0             | 0             | Normal                           | 0xFFFF | Immediate                      | MAX              |
| 1    | 0     | 0            | 0             | 1             | PWM, Phase Correct, 8-bit        | 0x00FF | TOP                            | BOTTOM           |
| 2    | 0     | 0            | 1             | 0             | PWM, Phase Correct, 9-bit        | 0x01FF | TOP                            | BOTTOM           |
| 3    | 0     | 0            | 1             | 1             | PWM, Phase Correct, 10-bit       | 0x3FF  | TOP                            | BOTTOM           |
| 4    | 0     | 1            | 0             | 0             | CTC                              | OCRnA  | Immediate                      | MAX              |
| 5    | 0     | 1            | 0             | 1             | Fast PWM, 8-bit                  | 0x00FF | BOTTOM                         | TOP              |
| 6    | 0     | 1            | 1             | 0             | Fast PWM, 9-bit                  | 0x01FF | BOTTOM                         | TOP              |
| 7    | 0     | 1            | 1             | 1             | Fast PWM, 10-bit                 | 0x03FF | BOTTOM                         | TOP              |
| 8    | 1     | 0            | 0             | 0             | PWM, Phase and Frequency Correct | ICRn   | BOTTOM                         | BOTTOM           |
| 9    | 1     | 0            | 0             | 1             | PWM, Phase and Frequency Correct | OCRnA  | BOTTOM                         | BOTTOM           |
| 10   | 1     | 0            | 1             | 0             | PWM, Phase Correct               | ICRn   | TOP                            | BOTTOM           |
| 11   | 1     | 0            | 1             | 1             | PWM, Phase Correct               | OCRnA  | TOP                            | BOTTOM           |
| 12   | 1     | 1            | 0             | 0             | CTC                              | ICRn   | Immediate                      | MAX              |
| 13   | 1     | 1            | 0             | 1             | (Reserved)                       | –      | –                              | –                |
| 14   | 1     | 1            | 1             | 0             | Fast PWM                         | ICRn   | BOTTOM                         | TOP              |
| 15   | 1     | 1            | 1             | 1             | Fast PWM                         | OCRnA  | BOTTOM                         | TOP              |

Notes: 1. The CTC<sub>n</sub> and PWMn1:0 bit definition names are obsolete. Use the WGMn2:0 definitions. However, the functionality and location of these bits are compatible with previous versions of the timer.

For detailed timing information refer to ["Timer/Counter Timing Diagrams" on page 294](#).

## 18.9.1 Normal Mode

The simplest mode of operation is the Normal mode (WGMn3:0 = 0). In this mode the counting direction is always up (incrementing) and no counter clear is performed. The counter simply overruns when it passes its maximum 16-bit value (MAX = 0xFFFF) and then restarts from the BOTTOM (0x0000). In normal operation the Timer/Counter Overflow Flag (TOVn) will be set in the same timer clock cycle as the TCNTn becomes zero. In this case the TOVn Flag behaves like a 17<sup>th</sup> bit, except that it is only set and not cleared. However the timer resolution can be increased by software when combined with the timer overflow interrupt that automatically clears the TOVn Flag. There are no special cases to consider in the Normal mode. A new counter value can be written anytime.

The Input Capture unit is easy to use in Normal mode. However it is important to note that the maximum interval between the external events must not exceed the resolution of the counter. The timer overflow interrupt or the prescaler must be used to extend the resolution for the capture unit if the intervals between events are too long.

The Output Compare units can be used to generate interrupts at some given time. Using the Output Compare to generate waveforms in Normal mode is not recommended because this will occupy too much CPU time.

## 18.9.2 Clear Timer on Compare Match (CTC) Mode

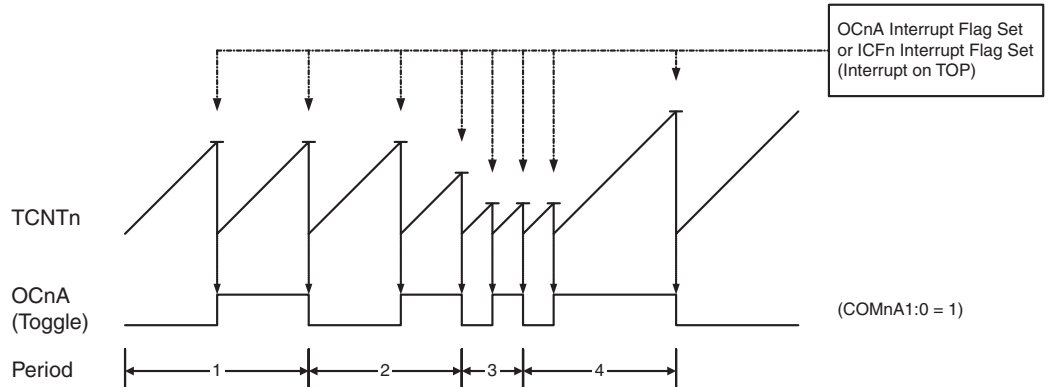
In Clear Timer on Compare (CTC) mode (WGMn3:0 = 4 or 12), the OCRnA or ICRn Register are used to manipulate the counter resolution. In CTC mode the counter is



cleared to zero when the counter value (TCNT $n$ ) matches either the OCR $nA$  (WGM $n3:0 = 4$ ) or the ICR $n$  (WGM $n3:0 = 12$ ). The OCR $nA$  or ICR $n$  define the top value for the counter, hence also its resolution. This mode allows greater control of the compare match output frequency. It also simplifies the operation of counting external events.

The timing diagram for the CTC mode is shown in the following figure. The counter value (TCNT $n$ ) increases until a compare match occurs with either OCR $nA$  or ICR $n$ , and then counter (TCNT $n$ ) is cleared.

**Figure 18-6.** CTC Mode Timing Diagram



Each time the counter reaches the TOP value an interrupt can be generated by either the OCF $nA$  or ICF $n$  Flag according to the register used to define the TOP value. If the interrupt is enabled, the interrupt handler routine can be used for updating the TOP value. However, changing TOP to a value close to BOTTOM when the counter is running with no or a low prescaler value must be done with care since the CTC mode does not have the double buffering feature. The counter will miss the compare match if the new value written to OCR $nA$  or ICR $n$  is lower than the current value of TCNT $n$ . The counter will then have to count to its maximum value (0xFFFF) and wrap around starting at 0x0000 before the compare match can occur. In many cases this feature is not desirable. The fast PWM mode is available as an alternative using OCR $nA$  for defining TOP (WGM $n3:0 = 15$ ). The OCR $nA$  then will be double buffered.

For generating a waveform output in CTC mode, the OC $nA$  output can be set to toggle its logical level on each compare match by setting the Compare Output mode bits to toggle mode (COM $nA1:0 = 1$ ). The OC $nA$  value will not be visible on the port pin unless the data direction for the pin is set to output (DDR\_OC $nA = 1$ ). The waveform generated will have a maximum frequency of  $f_{OCnA} = f_{clk/O}/2$  when OCR $nA$  is set to zero (0x0000). The waveform frequency is given by the following equation:

$$f_{OCnA} = \frac{f_{clk/O}}{2 \cdot N \cdot (1 + OCRnA)}$$

The N variable represents the prescaler factor (1, 8, 64, 256, or 1024).

As for the Normal mode of operation, the TOV $n$  Flag is set in the same clock cycle of the timer when the counter changes from MAX to 0x0000.

### 18.9.3 Fast PWM Mode

The fast Pulse Width Modulation (PWM) mode (WGM $n3:0 = 5, 6, 7, 14$  or  $15$ ) provides a high frequency PWM waveform generation option. The fast PWM differs from the other PWM options by its single-slope operation. The counter counts from BOTTOM to TOP then restarts from BOTTOM. In non-inverting Compare Output mode, the Output Compare (OC $nA$ ) is cleared on the compare match between TCNT $n$  and OCR $nA$ , and



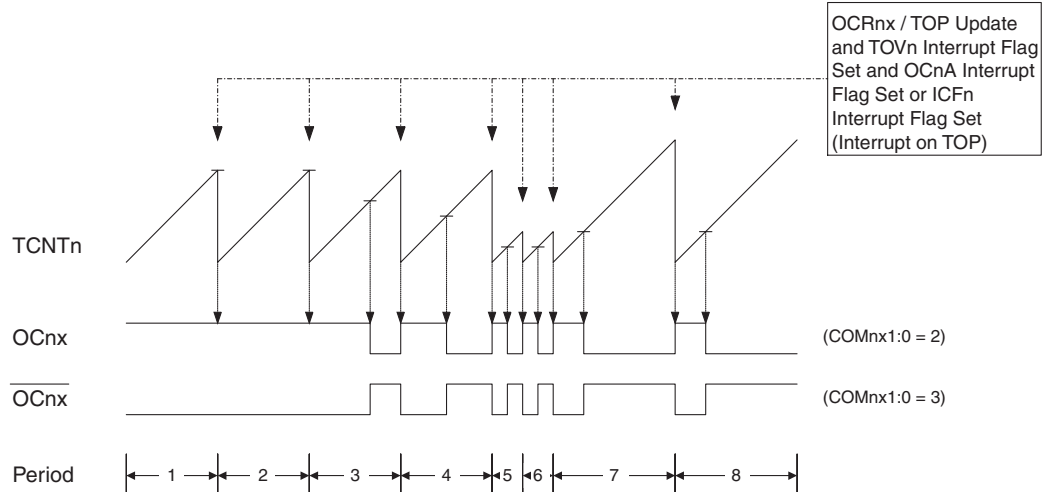
OCnx is set at BOTTOM. In inverting Compare Output mode output is set on compare match and cleared at BOTTOM. Due to the single-slope operation, the operating frequency of the fast PWM mode can be twice as high as the phase-correct and phase and frequency correct PWM modes that use dual-slope operation. This high frequency makes the fast PWM mode well suited for power regulation, rectification and DAC applications. High frequency allows physically small sized external components (coils, capacitors), hence reducing total system cost.

The PWM resolution for fast PWM can be fixed to 8-, 9-, or 10-bit, or defined by either ICRn or OCRnA. The minimum resolution allowed is 2-bit (ICRn or OCRnA set to 0x0003), and the maximum resolution is 16-bit (ICRn or OCRnA set to MAX). The PWM resolution  $R_{FPWM}$  in bits can be calculated with the following equation:

$$R_{FPWM} = \frac{\log(TOP + 1)}{\log(2)}$$

In fast PWM mode the counter is incremented until the counter value matches either one of the fixed values 0x00FF, 0x01FF or 0x03FF (WGMn3:0 = 5, 6 or 7), the value in ICRn (WGMn3:0 = 14) or the value in OCRnA (WGMn3:0 = 15). The counter is then cleared at the following timer clock cycle. The timing diagram for the fast PWM mode is shown in Figure 18-7. The figure shows fast PWM mode when OCRnA or ICRn is used to define TOP. The TCNTn value is in the timing diagram shown as a histogram for illustrating the single-slope operation. The diagram includes non-inverted and inverted PWM outputs. The small horizontal line marks on the TCNTn slopes represent compare matches between OCRnx and TCNTn. The OCnx Interrupt Flag will be set when a compare match occurs.

**Figure 18-7.** Fast PWM Mode Timing Diagram



The Timer/Counter Overflow Flag (TOVn) is set each time the counter reaches TOP. In addition the OCnA or ICFn Flag is set at the same timer clock cycle as TOVn is set when either OCRnA or ICRn is used to define the TOP value. If one of the interrupts are enabled, the interrupt handler routine can be utilized for updating the TOP and compare values.

When changing the TOP value the program must ensure that the new TOP value is higher or equal to the value of all of the Compare Registers. A compare match will never occur between the TCNTn and the OCRnx if the TOP value is lower than any of the Compare Registers. Note that when working with fixed TOP values the unused bits are masked to zero when any of the OCRnx Registers are written.

The procedure for updating  $ICR_n$  differs from updating  $OCR_nA$  when used for defining the TOP value. The  $ICR_n$  Register is not double buffered. This means that if  $ICR_n$  is changed to a low value while the counter is running with no or a low prescaler value, there is a risk that the newly written  $ICR_n$  value is lower than the current value of  $TCNT_n$ . In consequence the counter will miss the compare match at the TOP value. The counter must then count to the MAX value (0xFFFF) and wrap around starting at 0x0000 before the compare match can occur. The  $OCR_nA$  Register is double buffered though. This feature allows writing the  $OCR_nA$  I/O location at anytime. When the  $OCR_nA$  I/O location is written the new value will be put first into the  $OCR_nA$  Buffer Register. The  $OCR_nA$  Compare Register will then be updated with the value in the Buffer Register at the next clock cycle of the timer when  $TCNT_n$  matches TOP. The update is done at the same timer clock cycle as the  $TCNT_n$  is cleared and the TOVn Flag is set.

The definition of TOP with the  $ICR_n$  Register works well for fixed TOP values. Combined with  $ICR_n$ , the  $OCR_nA$  Register is free to be used for generating a PWM output on  $OC_nA$ . However, if the base PWM frequency is actively changed (by modifying the TOP value), working with the  $OCR_nA$  as TOP is clearly a better choice due to its double buffer feature.

In fast PWM mode the compare units allow the generation of PWM waveforms on the  $OC_nx$  pins. Setting the  $COM_nx1:0$  bits to 2 will produce a non-inverted PWM and an inverted PWM output can be generated by setting the  $COM_nx1:0$  to 3 (see [Table 18-3 on page 286](#)). The actual  $OC_nx$  value will only be visible on the port pin if the data direction of the port pin is set to output ( $DDR_{OC_nx}$ ). The PWM waveform is generated by setting (or clearing) the  $OC_nx$  Register at the compare match between  $OCR_nx$  and  $TCNT_n$ , and by clearing (or setting) the  $OC_nx$  Register at the timer clock cycle the counter is cleared (changes from TOP to BOTTOM).

The PWM frequency of the output  $f_{OC_nxPWM}$  can be calculated with the following equation:

$$f_{OC_nxPWM} = \frac{f_{clkI/O}}{N \cdot (1 + TOP)}$$

The N variable represents the prescaler divider (1, 8, 64, 256 or 1024).

The extreme values for the  $OCR_nx$  Register represent special cases when generating a PWM waveform output in the fast PWM mode. If the  $OCR_nx$  is set equal to BOTTOM (0x0000), the output will be a narrow spike for each TOP+1 timer clock cycle. Setting the  $OCR_nx$  equal to TOP will result in a constant high or low output (depending on the polarity of the output set by the  $COM_nx1:0$  bits.)

A frequency (with 50% duty cycle) waveform output in fast PWM mode can be achieved by setting  $OC_nA$  to toggle its logical level on each compare match ( $COM_nA1:0 = 1$ ). This applies only if  $OCR1A$  is used to define the TOP value ( $WGM13:0 = 15$ ). The waveform generated will have a maximum frequency of  $f_{OC_nA} = f_{clkI/O}/2$  when  $OCR_nA$  is set to zero (0x0000). This feature is similar to the  $OC_nA$  toggle in CTC mode, except the double buffer feature of the Output Compare unit is enabled in the fast PWM mode.

## 18.9.4 Phase Correct PWM Mode

The phase correct Pulse Width Modulation (PWM) mode ( $WGM_n3:0 = 1, 2, 3, 10$  or  $11$ ) provides a high resolution phase correct PWM waveform generation option. The phase correct PWM mode is, like the phase and frequency correct PWM mode, based on a dual-slope operation. The counter counts repeatedly from BOTTOM (0x0000) to TOP and then from TOP to BOTTOM. In non-inverting Compare Output mode, the Output Compare ( $OC_nx$ ) is cleared on the compare match between  $TCNT_n$  and  $OCR_nx$  while

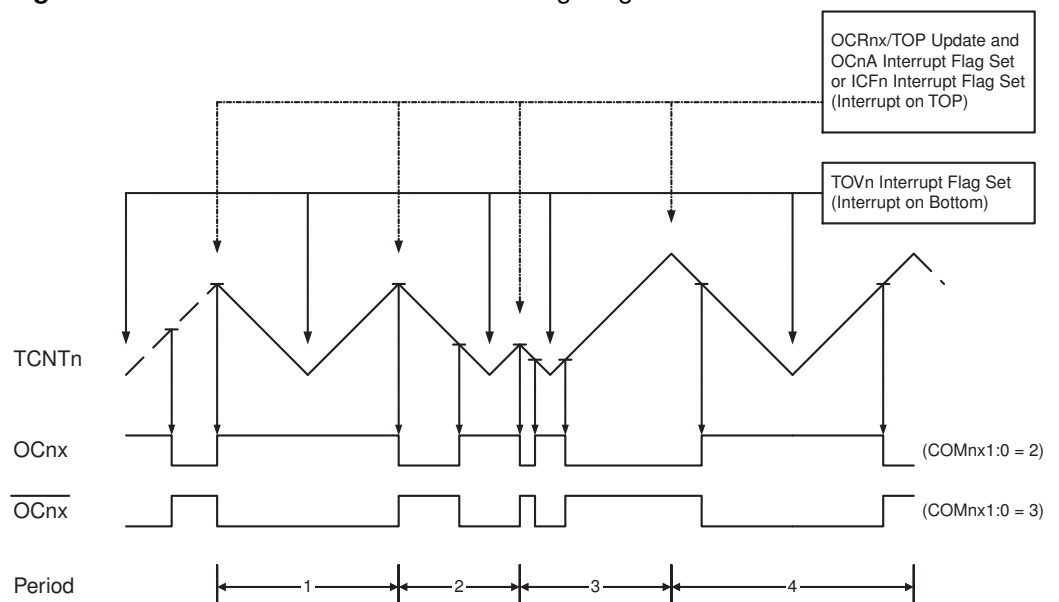
up-counting, and set on the compare match while down-counting. In inverting Output Compare mode, the operation is inverted. The dual-slope operation has a lower maximum operation frequency than single slope operation. However these modes are preferred for motor control applications due to the symmetric feature of the dual-slope PWM modes.

The PWM resolution for the phase correct PWM mode can be fixed to 8, 9 or 10 bit, or be defined by either  $ICR_n$  or  $OCR_nA$ . The minimum resolution allowed is 2 bit ( $ICR_n$  or  $OCR_nA$  set to  $0x0003$ ), and the maximum resolution is 16-bit ( $ICR_n$  or  $OCR_nA$  set to MAX). The PWM resolution  $R_{PCPWM}$  in bits can be calculated with the following equation:

$$R_{PCPWM} = \frac{\log(TOP + 1)}{\log(2)}$$

In phase correct PWM mode the counter is incremented until the counter value matches either one of the fixed values  $0x00FF$ ,  $0x01FF$  or  $0x03FF$  ( $WGM_n3:0 = 1, 2, \text{ or } 3$ ), the value in  $ICR_n$  ( $WGM_n3:0 = 10$ ) or the value in  $OCR_nA$  ( $WGM_n3:0 = 11$ ). The counter has then reached the TOP and changes the count direction. The  $TCNT_n$  value will be equal to TOP for one timer clock cycle. The timing diagram for the phase correct PWM mode is shown on [Figure 18-8 below](#). The figure shows phase correct PWM mode when  $OCR_nA$  or  $ICR_n$  is used to define TOP. The  $TCNT_n$  value is shown in the timing diagram as a histogram illustrating the dual-slope operation. The diagram includes non-inverted and inverted PWM outputs. The small horizontal line marks on the  $TCNT_n$  slopes represent compare matches between  $OCR_{nx}$  and  $TCNT_n$ . The  $OC_{nx}$  Interrupt Flag will be set when a compare match occurs.

**Figure 18-8.** Phase Correct PWM Mode Timing Diagram



The Timer/Counter Overflow Flag (TOV<sub>n</sub>) is set each time the counter reaches BOTTOM. When either  $OCR_nA$  or  $ICR_n$  is used for defining the TOP value, the  $OC_nA$  or  $ICF_n$  Flag is set accordingly at the same timer clock cycle as the  $OCR_{nx}$  Registers are updated with the double buffer value (at TOP). The Interrupt Flags can be used to generate an interrupt each time the counter reaches the TOP or BOTTOM value.

When changing the TOP value the program must ensure that the new TOP value is higher or equal to the value of all of the Compare Registers. If the TOP value is lower than any of the Compare Registers, a compare match will never occur between the

TCNT $n$  and the OCR $n$ x. Note that when working with fixed TOP values, the unused bits are masked to zero when any of the OCR $n$ x Registers are written. As the third period shown in Figure 18-8 illustrates, changing the TOP actively while the Timer/Counter is running in the phase correct mode can result in an asymmetrical output. The reason for this can be found in the update time of the OCR $n$ x Register. Since the OCR $n$ x update occurs at TOP, the PWM period starts and ends at TOP. This implies that the length of the falling slope is determined by the previous TOP value, while the length of the rising slope is determined by the new TOP value. When these two values are not equal the two slopes of the period will differ in length. The difference in length gives the asymmetrical result of the output.

It is recommended to use the phase and frequency correct mode instead of the phase correct mode when changing the TOP value while the Timer/Counter is running. When using a static TOP value there are practically no differences between the two modes of operation.

In phase correct PWM mode, the compare units allow generating PWM waveforms on the OC $n$ x pins. Setting the COM $n$ x1:0 bits to 2 will produce a non-inverted PWM. An inverted PWM output can be generated by setting the COM $n$ x1:0 to 3 (see [Table 18-4 on page 286](#)). The actual OC $n$ x value will only be visible on the port pin if the data direction of the port pin is set to output (DDR\_OC $n$ x). The PWM waveform is generated by setting (or clearing) the OC $n$ x Register at the compare match between OCR $n$ x and TCNT $n$  when the counter increments, and by clearing (or setting) the OC $n$ x Register at compare match between OCR $n$ x and TCNT $n$  when the counter decrements. The PWM frequency of the output  $f_{OCnPCPWM}$  when using phase-correct PWM can be calculated with the following equation:

$$f_{OCnPCPWM} = \frac{f_{clkIO}}{2 \cdot N \cdot TOP}$$

The N variable represents the prescaler divider (1, 8, 64, 256, or 1024).

The extreme values for the OCR $n$ x Register represent special cases when generating a PWM waveform output in the phase correct PWM mode. If the OCR $n$ x is set equal to BOTTOM the output will be continuously low and if set equal to TOP the output will be continuously high for non-inverted PWM mode. For inverted PWM the output will have the opposite logic values. If OCR1A is used to define the TOP value (WGM13:0 = 11) and COM1A1:0 = 1, the OC1A output will toggle with a 50% duty cycle.

### 18.9.5 Phase and Frequency Correct PWM Mode

The phase and frequency correct Pulse Width Modulation (PWM) mode (WGM $n$ 3:0 = 8 or 9) provides a high resolution phase and frequency correct PWM waveform generation option. The phase and frequency correct PWM mode is, like the phase correct PWM mode, based on a dual-slope operation. The counter counts repeatedly from BOTTOM (0x0000) to TOP and then from TOP to BOTTOM. In non-inverting Compare Output mode, the Output Compare (OC $n$ x) is cleared on the compare match between TCNT $n$  and OCR $n$ x while up-counting, and set on the compare match while down-counting. In inverting Compare Output mode, the operation is inverted. The dual-slope operation gives a lower maximum operation frequency compared to the single-slope operation. However these modes are preferred for motor control applications due to the symmetric feature of the dual-slope PWM modes.

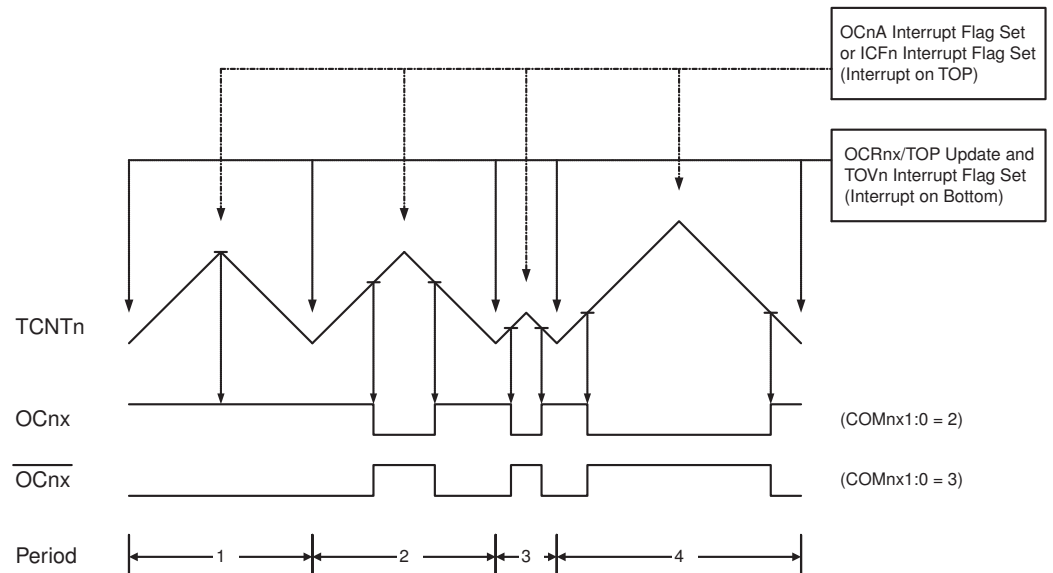
The main difference between the phase correct and the phase and frequency correct PWM mode is the time the OCR $n$ x Register is updated by the OCR $n$ x Buffer Register, (see [Figure 18-8 on page 291](#) and [Figure 18-9 on page 293](#)).

The PWM resolution for the phase and frequency correct PWM mode can be defined by either  $ICR_n$  or  $OCR_nA$ . The minimum resolution allowed is 2 bit ( $ICR_n$  or  $OCR_nA$  set to  $0x0003$ ), and the maximum resolution is 16 bit ( $ICR_n$  or  $OCR_nA$  set to MAX). The PWM resolution  $R_{PFCPWM}$  in bits can be calculated with the following equation:

$$R_{PFCPWM} = \frac{\log(TOP + 1)}{\log(2)}$$

In phase and frequency correct PWM mode the counter is incremented until the counter value matches either the value in  $ICR_n$  ( $WGM_n3:0 = 8$ ), or the value in  $OCR_nA$  ( $WGM_n3:0 = 9$ ). The counter has then reached TOP and changes the count direction. The  $TCNT_n$  value will be equal to TOP for one timer clock cycle. The timing diagram for the phase correct and frequency correct PWM mode is shown in Figure 18-9 below. The figure shows phase and frequency correct PWM mode when  $OCR_nA$  or  $ICR_n$  is used to define TOP. The  $TCNT_n$  value is shown in the timing diagram as a histogram for illustrating the dual-slope operation. The diagram includes non-inverted and inverted PWM outputs. The small horizontal line marks on the  $TCNT_n$  slopes represent compare matches between  $OCR_{nx}$  and  $TCNT_n$ . The  $OC_{nx}$  Interrupt Flag will be set when a compare match occurs.

**Figure 18-9.** Phase and Frequency Correct PWM Mode Timing Diagram



The Timer/Counter Overflow Flag ( $TOV_n$ ) is set at the timer clock cycle when the  $OCR_{nx}$  Registers are updated with the double-buffered value (at BOTTOM). The  $OC_nA$  or  $ICF_n$  Flag is set after  $TCNT_n$  has reached TOP when either  $OCR_nA$  or  $ICR_n$  is used for defining the TOP value. The Interrupt Flags can then be used to generate an interrupt each time the counter reaches the TOP or BOTTOM value.

When changing the TOP value the program must ensure that the new TOP value is higher or equal to the value of all of the Compare Registers. If the TOP value is lower than any of the Compare Registers, a compare match will never occur between the  $TCNT_n$  and the  $OCR_{nx}$ .

As Figure 18-9 shows the output generated is, in contrast to the phase correct mode, symmetrical in all periods. Since the  $OCR_{nx}$  Registers are updated at BOTTOM, the length of the rising and the falling slopes will always be equal. This gives symmetrical output pulses and is therefore frequency correct.

The definition of TOP with the ICR<sub>n</sub> Register works well when using fixed TOP values. Combined with ICR<sub>n</sub> the OCR<sub>nA</sub> Register is available for generating a PWM output on OC<sub>nA</sub>. However, if the base PWM frequency is actively changed by modifying the TOP value, using the OCR<sub>nA</sub> as TOP is clearly a better choice due to its double buffer feature.

In phase and frequency correct PWM mode, the compare units allow generating PWM waveforms on the OC<sub>n</sub> pins. Setting the COM<sub>n</sub>1:0 bits to 2 will produce a non-inverted PWM. An inverted PWM output can be generated by setting the COM<sub>n</sub>1:0 to 3 (see [Table 18-4 on page 286](#)). The actual OC<sub>n</sub> value will only be visible at the port pin if the data direction of the port pin is set to output (DDR\_OC<sub>n</sub>). The PWM waveform is generated by setting (or clearing) the OC<sub>n</sub> Register at the compare match between OCR<sub>n</sub> and TCNT<sub>n</sub> when the counter increments, and by clearing (or setting) the OC<sub>n</sub> Register at compare match between OCR<sub>n</sub> and TCNT<sub>n</sub> when the counter decrements. The PWM frequency of the output  $f_{OCnPF PWM}$  when using phase and frequency correct PWM can be calculated with the following equation:

$$f_{OCnPF PWM} = \frac{f_{clkIO}}{2 \cdot N \cdot TOP}$$

The N variable represents the prescaler divider (1, 8, 64, 256, or 1024).

The extreme values for the OCR<sub>n</sub> Register represent special cases when generating a PWM waveform output in the phase correct PWM mode. If the OCR<sub>n</sub> is set equal to BOTTOM the output will be continuously low and if set equal to TOP the output will be set to high for non-inverted PWM mode. For inverted PWM the output will have the opposite logic values. If OCR1A is used to define the TOP value (WGM13:0 = 9) and COM1A1:0 = 1, the OC1A output will toggle with a 50% duty cycle.

## 18.10 Timer/Counter Timing Diagrams

The Timer/Counter is a synchronous design and the timer clock (clk<sub>Tn</sub>) is therefore shown as a clock enable signal in the following figures. The figures include information on when Interrupt Flags are set and when the OCR<sub>n</sub> Register is updated with the OCR<sub>n</sub> buffer value (only for modes utilizing double buffering). Figure 18-10 shows a timing diagram for the setting of OCF<sub>n</sub>.

**Figure 18-10.** Timer/Counter Timing Diagram, Setting of OCF<sub>n</sub>, no Prescaling

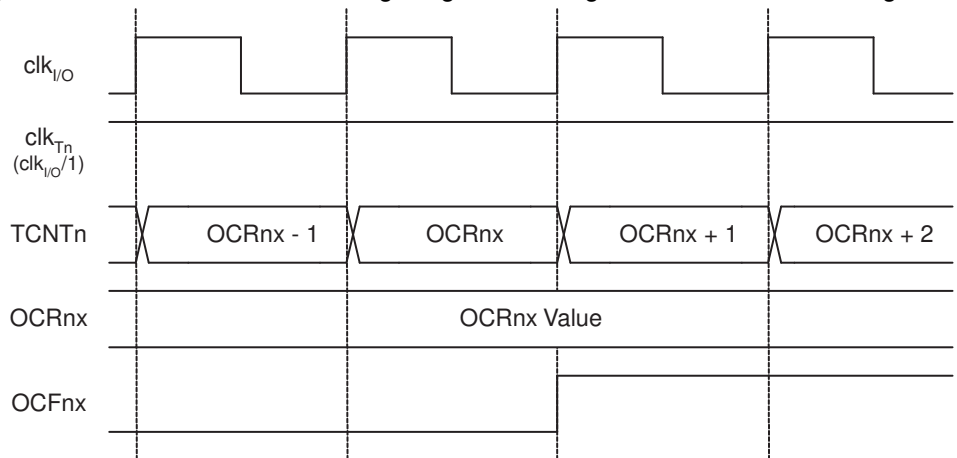


Figure 18-11 shows the same timing data, but with the prescaler enabled.

**Figure 18-11.** Timer/Counter Timing Diagram, Setting of  $OCFn_x$  with Prescaler ( $f_{clkI/O}/8$ )

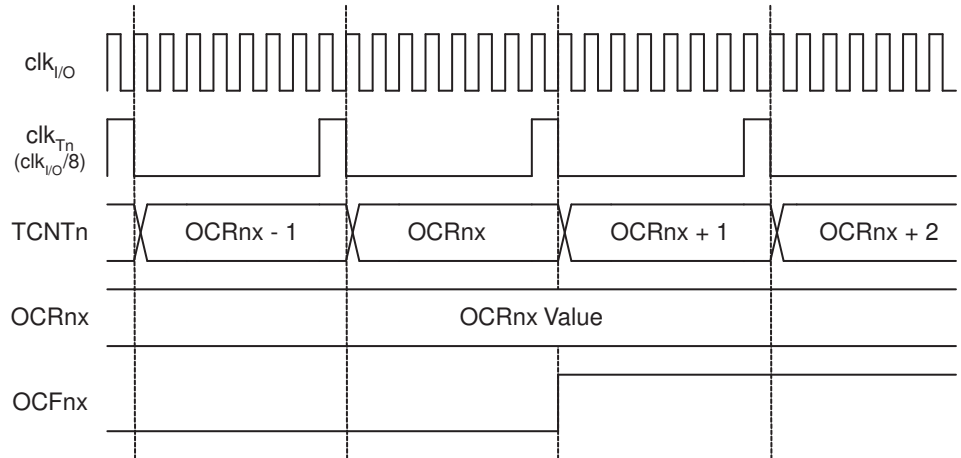


Figure 18-12 shows the count sequence close to TOP in various modes. When using phase and frequency correct PWM mode the  $OCRnx$  Register is updated at BOTTOM. The timing diagrams will be the same, but TOP should be replaced by BOTTOM, TOP-1 by BOTTOM+1 and so on. The same renaming applies for modes that set the TOVn Flag at BOTTOM.

**Figure 18-12.** Timer/Counter Timing Diagram, no Prescaling

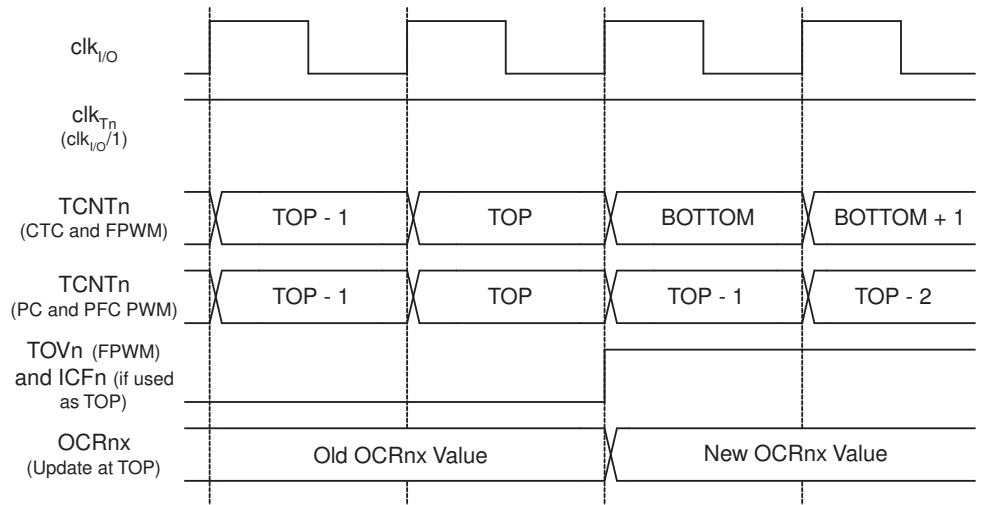
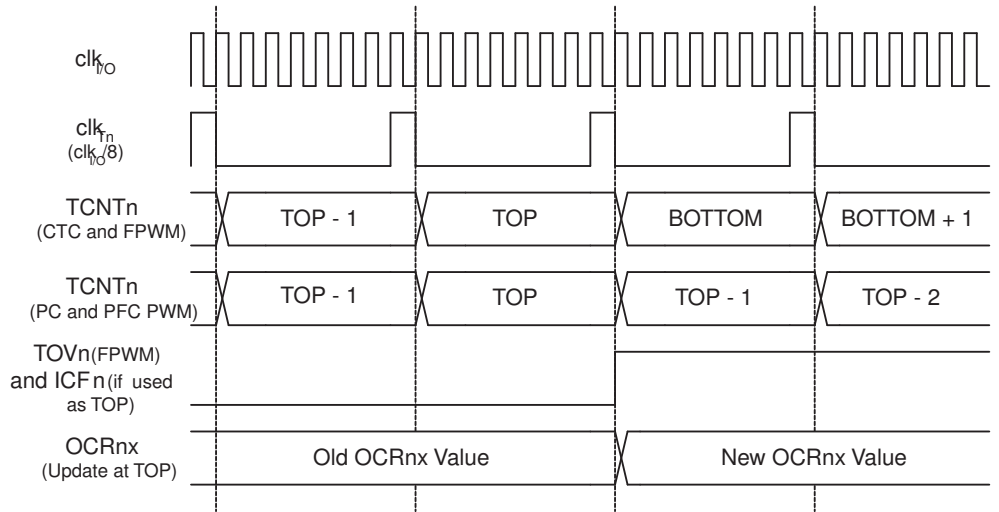




Figure 18-13 shows the same timing data, but with the prescaler enabled.

**Figure 18-13. Timer/Counter Timing Diagram with Prescaler ( $f_{clk/O}/8$ )**



## 18.11 Register Description

### 18.11.1 TCCR1A – Timer/Counter1 Control Register A

| Bit           | 7  | 6  | 5  | 4  | 3  | 2  | 1  | 0  |        |
|---------------|--|----|----|----|----|----|----|----|--------|
| NA (\$80)     | <b>COM1A1 COM1A0 COM1B1 COM1B0 COM1C1 COM1C0 WGM11 WGM10</b> |    |    |    |    |    |    |    | TCCR1A |
| Read/Write    | RW   | RW | RW | RW | RW | RW | RW | RW |        |
| Initial Value | 0  | 0  | 0  | 0  | 0  | 0  | 0  | 0  |        |

- **Bit 7:6 – COM1A1:0 - Compare Output Mode for Channel A**

The COM1A1:0 bits control the output compare behavior of pin OC1A. If one or both of the COM1A1:0 bits are written to one, the OC1A output overrides the normal port functionality of the I/O pin it is connected to. However note that the Data Direction Register (DDR) bit corresponding to the OC1A pin must be set in order to enable the output driver. When the OC1A is connected to the pin, the function of the COM1A1:0 bits is dependent of the WGM13:0 bits setting. The following table shows the COM1A1:0 bit functionality when the WGM13:0 bits are set to a normal or a CTC mode (non-PWM). For the other functionality refer to section "Modes of Operation".

**Table 18-6 COM1A Register Bits**

| Register Bits | Value | Description  |
|---------------|-------|--|
| COM1A1:0      | 0     | Normal port operation, OCnA/OCnB/OCnC disconnected.              |
|               | 1     | Toggle OCnA/OCnB/OCnC on Compare Match.                          |
|               | 2     | Clear OCnA/OCnB/OCnC on Compare Match (set output to low level). |
|               | 3     | Set OCnA/OCnB/OCnC on Compare Match (set output to high level).  |

- **Bit 5:4 – COM1B1:0 - Compare Output Mode for Channel B**



The COM1B1:0 bits control the output compare behavior of pin OC1B. If one or both of the COM1B1:0 bits are written to one, the OC1B output overrides the normal port functionality of the I/O pin it is connected to. However note that the Data Direction Register (DDR) bit corresponding to the OC1B pin must be set in order to enable the output driver. When the OC1A is connected to the pin, the function of the COM1B1:0 bits is dependent of the WGM13:0 bits setting. The following table shows the COM1B1:0 bit functionality when the WGM13:0 bits are set to a normal or a CTC mode (non-PWM). For the other functionality refer to section "Modes of Operation".

**Table 18-7 COM1B Register Bits**

| Register Bits | Value | Description  |
|---------------|-------|--|
| COM1B1:0      | 0     | Normal port operation, OCnA/OCnB/OCnC disconnected.              |
|               | 1     | Toggle OCnA/OCnB/OCnC on Compare Match.                          |
|               | 2     | Clear OCnA/OCnB/OCnC on Compare Match (set output to low level). |
|               | 3     | Set OCnA/OCnB/OCnC on Compare Match (set output to high level).  |

- **Bit 3:2 – COM1C1:0 - Compare Output Mode for Channel C**

The COM1C1:0 bits control the output compare behavior of pin OC1C. If one or both of the COM1C1:0 bits are written to one, the OC1C output overrides the normal port functionality of the I/O pin it is connected to. However note that the Data Direction Register (DDR) bit corresponding to the OC1C pin must be set in order to enable the output driver. When the OC1A is connected to the pin, the function of the COM1C1:0 bits is dependent of the WGM13:0 bits setting. The following table shows the COM1C1:0 bit functionality when the WGM13:0 bits are set to a normal or a CTC mode (non-PWM). For the other functionality refer to section "Modes of Operation".

**Table 18-8 COM1C Register Bits**

| Register Bits | Value | Description  |
|---------------|-------|--|
| COM1C1:0      | 0     | Normal port operation, OCnA/OCnB/OCnC disconnected.              |
|               | 1     | Toggle OCnA/OCnB/OCnC on Compare Match.                          |
|               | 2     | Clear OCnA/OCnB/OCnC on Compare Match (set output to low level). |
|               | 3     | Set OCnA/OCnB/OCnC on Compare Match (set output to high level).  |

- **Bit 1:0 – WGM11:10 - Waveform Generation Mode**

Combined with the WGM13:12 bits, found in the TCCR1B Register, these bits control the counting sequence of the counter, the source for maximum (TOP) counter value and what type of waveform generation to be used. Modes of operation supported by the Timer/Counter unit are: Normal mode (counter), Clear Timer on Compare match (CTC) mode, and three types of Pulse Width Modulation (PWM) modes. For more information on the different modes see section "Modes of Operation".

**Table 18-9 WGM1 Register Bits**

| Register Bits | Value | Description               |
|---------------|-------|---------------------------|
| WGM13:10      | 0x0   | Normal mode of operation  |
|               | 0x1   | PWM, phase correct, 8-bit |

| Register Bits | Value | Description                                   |
|---------------|-------|---|
|               | 0x2   | PWM, phase correct, 9-bit                     |
|               | 0x3   | PWM, phase correct, 10-bit                    |
|               | 0x4   | CTC, TOP = OCRnA                              |
|               | 0x5   | Fast PWM, 8-bit                               |
|               | 0x6   | Fast PWM, 9-bit                               |
|               | 0x7   | Fast PWM, 10-bit                              |
|               | 0x8   | PWM, Phase and frequency correct, TOP = ICRn  |
|               | 0x9   | PWM, Phase and frequency correct, TOP = OCRnA |
|               | 0xA   | PWM, Phase correct, TOP = ICRn                |
|               | 0xB   | PWM, Phase correct, TOP = OCRnA               |
|               | 0xC   | CTC, TOP = OCRnA                              |
|               | 0xD   | Reserved                                      |
|               | 0xE   | Fast PWM, TOP = ICRn                          |
|               | 0xF   | Fast PWM, TOP = OCRnA                         |

### 18.11.2 TCCR1B – Timer/Counter1 Control Register B

| Bit           | 7            | 6            | 5          | 4            | 3            | 2           | 1           | 0           |        |
|---------------|--------------|--------------|------------|--------------|--------------|-------------|-------------|-------------|--------|
| NA (\$81)     | <b>ICNC1</b> | <b>ICES1</b> | <b>Res</b> | <b>WGM13</b> | <b>WGM12</b> | <b>CS12</b> | <b>CS11</b> | <b>CS10</b> | TCCR1B |
| Read/Write    | RW           | RW           | R          | RW           | RW           | RW          | RW          | RW          |        |
| Initial Value | 0            | 0            | 0          | 0            | 0            | 0           | 0           | 0           |        |

- **Bit 7 – ICNC1 - Input Capture 1 Noise Canceller**

Setting this bit (to one) activates the Input Capture Noise Canceller. When the Noise Canceller is activated, the input from the Input Capture Pin (ICP1) is filtered. The filter function requires four successive equal valued samples of the ICP1 pin for changing its output. The input capture is therefore delayed by four Oscillator cycles when the noise canceler is enabled.

- **Bit 6 – ICES1 - Input Capture 1 Edge Select**

This bit selects which edge on the Input Capture Pin (ICP1) that is used to trigger a capture event. When the ICES1 bit is written to zero, a falling (negative) edge is used as trigger. When the ICES1 bit is written to one, a rising (positive) edge will trigger the capture. When a capture is triggered according to the ICES1 setting, the counter value is copied into the Input Capture Register (ICR1). The event will also set the Input Capture Flag (ICF1). This can be used to cause an Input Capture Interrupt, if this interrupt is enabled. When the ICR1 is used as TOP value (see description of the WGM13:0 bits located in the TCCR1A and the TCCR1B Register), the ICP1 is disconnected and consequently the input capture function is disabled.

- **Bit 5 – Res - Reserved Bit**

This bit is reserved for future use. A read access always will return zero. A write access does not modify the content.

- **Bit 4:3 – WGM13:12 - Waveform Generation Mode**

Combined with the WGM11:10 bits, found in the TCCR1A Register, these bits control the counting sequence of the counter, the source for maximum (TOP) counter value and what type of waveform generation to be used. Modes of operation supported by the Timer/Counter unit are: Normal mode (counter), Clear Timer on Compare match (CTC) mode, and three types of Pulse Width Modulation (PWM) modes. For more information on the different modes see section "Modes of Operation".

**Table 18-10 WGM1 Register Bits**

| Register Bits | Value                 | Description                                   |
|---------------|-----------------------|---|
| WGM13:10      | 0x0                   | Normal mode of operation                      |
|               | 0x1                   | PWM, phase correct, 8-bit                     |
|               | 0x2                   | PWM, phase correct, 9-bit                     |
|               | 0x3                   | PWM, phase correct, 10-bit                    |
|               | 0x4                   | CTC, TOP = OCRnA                              |
|               | 0x5                   | Fast PWM, 8-bit                               |
|               | 0x6                   | Fast PWM, 9-bit                               |
|               | 0x7                   | Fast PWM, 10-bit                              |
|               | 0x8                   | PWM, Phase and frequency correct, TOP = ICRn  |
|               | 0x9                   | PWM, Phase and frequency correct, TOP = OCRnA |
|               | 0xA                   | PWM, Phase correct, TOP = ICRn                |
|               | 0xB                   | PWM, Phase correct, TOP = OCRnA               |
|               | 0xC                   | CTC, TOP = OCRnA                              |
|               | 0xD                   | Reserved                                      |
|               | 0xE                   | Fast PWM, TOP = ICRn                          |
| 0xF           | Fast PWM, TOP = OCRnA |   |

- **Bit 2:0 – CS12:10 - Clock Select**

The three clock select bits select the clock source to be used by the Timer/Counter1 according to the following table. If external pin modes are used for the Timer/Counter1, transitions on the T1 pin will clock the counter even if the pin is configured as an output. This feature allows software control of the counting.

**Table 18-11 CS1 Register Bits**

| Register Bits | Value | Description  |
|---------------|-------|--|
| CS12:10       | 0x00  | No clock source (Timer/Counter stopped)                |
|               | 0x01  | clkIO/1 (no prescaling)                                |
|               | 0x02  | clkIO/8 (from prescaler)                               |
|               | 0x03  | clkIO/64 (from prescaler)                              |
|               | 0x04  | clkIO/256 (from prescaler)                             |
|               | 0x05  | clkIO/1024 (from prescaler)                            |
|               | 0x06  | External clock source on Tn pin, clock on falling edge |
|               | 0x07  | External clock source on Tn pin, clock on rising edge  |

## 18.11.3 TCCR1C – Timer/Counter1 Control Register C

|               |   |    |    |   |   |   |   |   |        |
|---------------|---|----|----|---|---|---|---|---|--------|
| Bit           | 7   | 6  | 5  | 4 | 3 | 2 | 1 | 0 |        |
| NA (\$82)     | <b>FOC1A FOC1B FOC1C Res4 Res3 Res2 Res1 Res0</b> |    |    |   |   |   |   |   | TCCR1C |
| Read/Write    | RW  | RW | RW | R | R | R | R | R |        |
| Initial Value | 0   | 0  | 0  | 0 | 0 | 0 | 0 | 0 |        |

- **Bit 7 – FOC1A - Force Output Compare for Channel A**

The FOC1A bit is only active when the WGM13:0 bits specify a non-PWM mode. When writing a logical one to the FOC1A bit, an immediate compare match is forced on the waveform generation unit. The OC1A output is changed according to its COM1A1:0 bits setting. Note that the FOC1A bits are implemented as strobes. Therefore it is the value present in the COM1A1:0 bits that determine the effect of the forced compare. A FOC1A strobe will not generate any interrupt nor will it clear the timer in Clear Timer on Compare Match (CTC) mode using OCR1A as TOP. The FOC1A bits are always read as zero.

- **Bit 6 – FOC1B - Force Output Compare for Channel B**

The FOC1B bit is only active when the WGM13:0 bits specify a non-PWM mode. When writing a logical one to the FOC1B bit, an immediate compare match is forced on the waveform generation unit. The OC1B output is changed according to its COM1B1:0 bits setting. Note that the FOC1B bits are implemented as strobes. Therefore it is the value present in the COM1B1:0 bits that determine the effect of the forced compare. A FOC1B strobe will not generate any interrupt nor will it clear the timer in Clear Timer on Compare Match (CTC) mode using OCR1B as TOP. The FOC1B bits are always read as zero.

- **Bit 5 – FOC1C - Force Output Compare for Channel C**

The FOC1C bit is only active when the WGM13:0 bits specify a non-PWM mode. When writing a logical one to the FOC1C bit, an immediate compare match is forced on the waveform generation unit. The OC1C output is changed according to its COM1C1:0 bits setting. Note that the FOC1C bits are implemented as strobes. Therefore it is the value present in the COM1C1:0 bits that determine the effect of the forced compare. A FOC1C strobe will not generate any interrupt nor will it clear the timer in Clear Timer on Compare Match (CTC) mode using OCR1C as TOP. The FOC1C bits are always read as zero.

- **Bit 4:0 – Res4:0 - Reserved**

These bits are reserved for future use.

## 18.11.4 TCNT1H – Timer/Counter1 High Byte

|               |                  |    |    |    |    |    |    |    |        |
|---------------|------------------|----|----|----|----|----|----|----|--------|
| Bit           | 7                | 6  | 5  | 4  | 3  | 2  | 1  | 0  |        |
| NA (\$85)     | <b>TCNT1H7:0</b> |    |    |    |    |    |    |    | TCNT1H |
| Read/Write    | RW               | RW | RW | RW | RW | RW | RW | RW |        |
| Initial Value | 0                | 0  | 0  | 0  | 0  | 0  | 0  | 0  |        |

The two Timer/Counter I/O locations (TCNT1H and TCNT1L, combined TCNT1) give direct access, both for read and for write operations, to the Timer/Counter unit 16-bit counter. To ensure that both the high and low bytes are read and written simultaneously when the CPU accesses these registers, the access is performed using an 8-bit temporary High Byte Register (TEMP). This temporary register is shared by all the other

16-bit registers. See section "Accessing 16-bit Registers" for details. Modifying the counter (TCNT1) while the counter is running introduces a risk of missing a compare match between TCNT1 and one of the OCR1x Registers. Writing to the TCNT1 Register blocks (removes) the compare match on the following timer clock for all compare units.

- **Bit 7:0 – TCNT1H7:0 - Timer/Counter1 High Byte**

## 18.11.5 TCNT1L – Timer/Counter1 Low Byte

|               |                  |    |    |    |    |    |    |    |               |
|---------------|------------------|----|----|----|----|----|----|----|---------------|
| Bit           | 7                | 6  | 5  | 4  | 3  | 2  | 1  | 0  |               |
| NA (\$84)     | <b>TCNT1L7:0</b> |    |    |    |    |    |    |    | <b>TCNT1L</b> |
| Read/Write    | RW               | RW | RW | RW | RW | RW | RW | RW |               |
| Initial Value | 0                | 0  | 0  | 0  | 0  | 0  | 0  | 0  |               |

The two Timer/Counter I/O locations (TCNT1H and TCNT1L, combined TCNT1) give direct access, both for read and for write operations, to the Timer/Counter unit 16-bit counter. To ensure that both the high and low bytes are read and written simultaneously when the CPU accesses these registers, the access is performed using an 8-bit temporary High Byte Register (TEMP). This temporary register is shared by all the other 16-bit registers. See section "Accessing 16-bit Registers" for details. Modifying the counter (TCNT1) while the counter is running introduces a risk of missing a compare match between TCNT1 and one of the OCR1x Registers. Writing to the TCNT1 Register blocks (removes) the compare match on the following timer clock for all compare units.

- **Bit 7:0 – TCNT1L7:0 - Timer/Counter1 Low Byte**

## 18.11.6 OCR1AH – Timer/Counter1 Output Compare Register A High Byte

|               |                  |    |    |    |    |    |    |    |               |
|---------------|------------------|----|----|----|----|----|----|----|---------------|
| Bit           | 7                | 6  | 5  | 4  | 3  | 2  | 1  | 0  |               |
| NA (\$89)     | <b>OCR1AH7:0</b> |    |    |    |    |    |    |    | <b>OCR1AH</b> |
| Read/Write    | RW               | RW | RW | RW | RW | RW | RW | RW |               |
| Initial Value | 0                | 0  | 0  | 0  | 0  | 0  | 0  | 0  |               |

The Output Compare Registers contain a 16-bit value that is continuously compared with the counter value (TCNT1). A match can be used to generate an Output Compare interrupt, or to generate a waveform output on the OC1A pin. The Output Compare Registers are 16-bit in size. To ensure that both the high and low bytes are written simultaneously when the CPU writes to these registers, the access is performed using an 8-bit temporary High Byte Register (TEMP). This temporary register is shared by all the other 16-bit registers. See section "Accessing 16-bit Registers" for details.

- **Bit 7:0 – OCR1AH7:0 - Timer/Counter1 Output Compare Register High Byte**

## 18.11.7 OCR1AL – Timer/Counter1 Output Compare Register A Low Byte

|               |                  |    |    |    |    |    |    |    |               |
|---------------|------------------|----|----|----|----|----|----|----|---------------|
| Bit           | 7                | 6  | 5  | 4  | 3  | 2  | 1  | 0  |               |
| NA (\$88)     | <b>OCR1AL7:0</b> |    |    |    |    |    |    |    | <b>OCR1AL</b> |
| Read/Write    | RW               | RW | RW | RW | RW | RW | RW | RW |               |
| Initial Value | 0                | 0  | 0  | 0  | 0  | 0  | 0  | 0  |               |

The Output Compare Registers contain a 16-bit value that is continuously compared with the counter value (TCNT1). A match can be used to generate an Output Compare interrupt, or to generate a waveform output on the OC1A pin. The Output Compare Registers are 16-bit in size. To ensure that both the high and low bytes are written simultaneously when the CPU writes to these registers, the access is performed using an 8-bit temporary High Byte Register (TEMP). This temporary register is shared by all the other 16-bit registers. See section "Accessing 16-bit Registers" for details.

- **Bit 7:0 – OCR1AL7:0 - Timer/Counter1 Output Compare Register Low Byte**

### 18.11.8 OCR1BH – Timer/Counter1 Output Compare Register B High Byte

|               |                  |    |    |    |    |    |    |    |               |
|---------------|------------------|----|----|----|----|----|----|----|---------------|
| Bit           | 7                | 6  | 5  | 4  | 3  | 2  | 1  | 0  |               |
| NA (\$8B)     | <b>OCR1BH7:0</b> |    |    |    |    |    |    |    | <b>OCR1BH</b> |
| Read/Write    | RW               | RW | RW | RW | RW | RW | RW | RW |               |
| Initial Value | 0                | 0  | 0  | 0  | 0  | 0  | 0  | 0  |               |

The Output Compare Registers contain a 16-bit value that is continuously compared with the counter value (TCNT1). A match can be used to generate an Output Compare interrupt, or to generate a waveform output on the OC1B pin. The Output Compare Registers are 16-bit in size. To ensure that both the high and low bytes are written simultaneously when the CPU writes to these registers, the access is performed using an 8-bit temporary High Byte Register (TEMP). This temporary register is shared by all the other 16-bit registers. See section "Accessing 16-bit Registers" for details.

- **Bit 7:0 – OCR1BH7:0 - Timer/Counter1 Output Compare Register High Byte**

### 18.11.9 OCR1BL – Timer/Counter1 Output Compare Register B Low Byte

|               |                  |    |    |    |    |    |    |    |               |
|---------------|------------------|----|----|----|----|----|----|----|---------------|
| Bit           | 7                | 6  | 5  | 4  | 3  | 2  | 1  | 0  |               |
| NA (\$8A)     | <b>OCR1BL7:0</b> |    |    |    |    |    |    |    | <b>OCR1BL</b> |
| Read/Write    | R                | RW | RW | RW | RW | RW | RW | RW |               |
| Initial Value | 0                | 0  | 0  | 0  | 0  | 0  | 0  | 0  |               |

The Output Compare Registers contain a 16-bit value that is continuously compared with the counter value (TCNT1). A match can be used to generate an Output Compare interrupt, or to generate a waveform output on the OC1B pin. The Output Compare Registers are 16-bit in size. To ensure that both the high and low bytes are written simultaneously when the CPU writes to these registers, the access is performed using an 8-bit temporary High Byte Register (TEMP). This temporary register is shared by all the other 16-bit registers. See section "Accessing 16-bit Registers" for details.

- **Bit 7:0 – OCR1BL7:0 - Timer/Counter1 Output Compare Register Low Byte**

## 18.11.10 OCR1CH – Timer/Counter1 Output Compare Register C High Byte

|               |                  |    |    |    |    |    |    |    |               |
|---------------|------------------|----|----|----|----|----|----|----|---------------|
| Bit           | 7                | 6  | 5  | 4  | 3  | 2  | 1  | 0  |               |
| NA (\$8D)     | <b>OCR1CH7:0</b> |    |    |    |    |    |    |    | <b>OCR1CH</b> |
| Read/Write    | RW               | RW | RW | RW | RW | RW | RW | RW |               |
| Initial Value | 0                | 0  | 0  | 0  | 0  | 0  | 0  | 0  |               |

The Output Compare Registers contain a 16-bit value that is continuously compared with the counter value (TCNT1). A match can be used to generate an Output Compare interrupt, or to generate a waveform output on the OC1C pin. The Output Compare Registers are 16-bit in size. To ensure that both the high and low bytes are written simultaneously when the CPU writes to these registers, the access is performed using an 8-bit temporary High Byte Register (TEMP). This temporary register is shared by all the other 16-bit registers. See section "Accessing 16-bit Registers" for details.

- **Bit 7:0 – OCR1CH7:0 - Timer/Counter1 Output Compare Register High Byte**

## 18.11.11 OCR1CL – Timer/Counter1 Output Compare Register C Low Byte

|               |                  |    |    |    |    |    |    |    |               |
|---------------|------------------|----|----|----|----|----|----|----|---------------|
| Bit           | 7                | 6  | 5  | 4  | 3  | 2  | 1  | 0  |               |
| NA (\$8C)     | <b>OCR1CL7:0</b> |    |    |    |    |    |    |    | <b>OCR1CL</b> |
| Read/Write    | R                | RW | RW | RW | RW | RW | RW | RW |               |
| Initial Value | 0                | 0  | 0  | 0  | 0  | 0  | 0  | 0  |               |

The Output Compare Registers contain a 16-bit value that is continuously compared with the counter value (TCNT1). A match can be used to generate an Output Compare interrupt, or to generate a waveform output on the OC1C pin. The Output Compare Registers are 16-bit in size. To ensure that both the high and low bytes are written simultaneously when the CPU writes to these registers, the access is performed using an 8-bit temporary High Byte Register (TEMP). This temporary register is shared by all the other 16-bit registers. See section "Accessing 16-bit Registers" for details.

- **Bit 7:0 – OCR1CL7:0 - Timer/Counter1 Output Compare Register Low Byte**

## 18.11.12 ICR1H – Timer/Counter1 Input Capture Register High Byte

|               |                 |   |   |   |   |   |   |   |              |
|---------------|-----------------|---|---|---|---|---|---|---|--------------|
| Bit           | 7               | 6 | 5 | 4 | 3 | 2 | 1 | 0 |              |
| NA (\$87)     | <b>ICR1H7:0</b> |   |   |   |   |   |   |   | <b>ICR1H</b> |
| Read/Write    | R               | R | R | R | R | R | R | R |              |
| Initial Value | 0               | 0 | 0 | 0 | 0 | 0 | 0 | 0 |              |

The Input Capture Register is updated with the counter (TCNT1) value each time an event occurs on the ICP1 pin or on the Analog Comparator output. The Input Capture Register can be used for defining the counter TOP value. The Input Capture Register is 16-bit in size. To ensure that both the high and low bytes are read simultaneously when the CPU accesses these registers, the access is performed using an 8-bit temporary High Byte Register (TEMP). This temporary register is shared by all the other 16-bit registers. See section "Accessing 16-bit Registers" for details.

- **Bit 7:0 – ICR1H7:0 - Timer/Counter1 Input Capture Register High Byte**

### 18.11.13 ICR1L – Timer/Counter1 Input Capture Register Low Byte

|               |                 |   |   |   |   |   |   |   |              |
|---------------|-----------------|---|---|---|---|---|---|---|--------------|
| Bit           | 7               | 6 | 5 | 4 | 3 | 2 | 1 | 0 |              |
| NA (\$86)     | <b>ICR1L7:0</b> |   |   |   |   |   |   |   | <b>ICR1L</b> |
| Read/Write    | R               | R | R | R | R | R | R | R |              |
| Initial Value | 0               | 0 | 0 | 0 | 0 | 0 | 0 | 0 |              |

The Input Capture Register is updated with the counter (TCNT1) value each time an event occurs on the ICP1 pin or on the Analog Comparator output. The Input Capture Register can be used for defining the counter TOP value. The Input Capture Register is 16-bit in size. To ensure that both the high and low bytes are read simultaneously when the CPU accesses these registers, the access is performed using an 8-bit temporary High Byte Register (TEMP). This temporary register is shared by all the other 16-bit registers. See section "Accessing 16-bit Registers" for details.

- **Bit 7:0 – ICR1L7:0 - Timer/Counter1 Input Capture Register Low Byte**

### 18.11.14 TIMSK1 – Timer/Counter1 Interrupt Mask Register

|               |             |             |              |            |               |               |               |              |               |
|---------------|-------------|-------------|--------------|------------|---------------|---------------|---------------|--------------|---------------|
| Bit           | 7           | 6           | 5            | 4          | 3             | 2             | 1             | 0            |               |
| NA (\$6F)     | <b>Res1</b> | <b>Res0</b> | <b>ICIE1</b> | <b>Res</b> | <b>OCIE1C</b> | <b>OCIE1B</b> | <b>OCIE1A</b> | <b>TOIE1</b> | <b>TIMSK1</b> |
| Read/Write    | R           | R           | RW           | R          | R             | R             | RW            | RW           |               |
| Initial Value | 0           | 0           | 0            | 0          | 0             | 0             | 0             | 0            |               |

- **Bit 7:6 – Res1:0 - Reserved Bit**

This bit is reserved for future use. A read access always will return zero. A write access does not modify the content.

- **Bit 5 – ICIE1 - Timer/Counter1 Input Capture Interrupt Enable**

When this bit is written to one, and the I-flag in the Status Register is set (interrupts globally enabled), the Timer/Counter1 Input Capture interrupt is enabled. The corresponding Interrupt Vector is executed when the ICF1 Flag, located in TIFR1, is set.

- **Bit 4 – Res - Reserved Bit**

This bit is reserved for future use. A read access always will return zero. A write access does not modify the content.

- **Bit 3 – OCIE1C - Timer/Counter1 Output Compare C Match Interrupt Enable**

When this bit is written to one, and the I-flag in the Status Register is set (interrupts globally enabled), the Timer/Counter1 Output Compare C Match interrupt is enabled. The corresponding Interrupt Vector is executed when the OCF1C Flag, located in TIFR1, is set.

- **Bit 2 – OCIE1B - Timer/Counter1 Output Compare B Match Interrupt Enable**

When this bit is written to one, and the I-flag in the Status Register is set (interrupts globally enabled), the Timer/Counter1 Output Compare B Match interrupt is enabled. The corresponding Interrupt Vector is executed when the OCF1B Flag, located in TIFR1, is set.

- **Bit 1 – OCIE1A - Timer/Counter1 Output Compare A Match Interrupt Enable**

When this bit is written to one, and the I-flag in the Status Register is set (interrupts globally enabled), the Timer/Counter1 Output Compare A Match interrupt is enabled.



The corresponding Interrupt Vector is executed when the OCF1A Flag, located in TIFR1, is set.

- **Bit 0 – TOIE1 - Timer/Counter1 Overflow Interrupt Enable**

When this bit is written to one, and the I-flag in the Status Register is set (interrupts globally enabled), the Timer/Counter1 Overflow interrupt is enabled. The corresponding Interrupt Vector is executed when the TOV1 Flag, located in TIFR1, is set.

## 18.11.15 TIFR1 – Timer/Counter1 Interrupt Flag Register

| Bit           | 7           | 6           | 5           | 4          | 3            | 2            | 1            | 0           |       |
|---------------|-------------|-------------|-------------|------------|--------------|--------------|--------------|-------------|-------|
| \$16 (\$36)   | <b>Res1</b> | <b>Res0</b> | <b>ICF1</b> | <b>Res</b> | <b>OCF1C</b> | <b>OCF1B</b> | <b>OCF1A</b> | <b>TOV1</b> | TIFR1 |
| Read/Write    | R           | R           | RW          | R          | RW           | RW           | RW           | RW          |       |
| Initial Value | 0           | 0           | 0           | 0          | 0            | 0            | 0            | 0           |       |

- **Bit 7:6 – Res1:0 - Reserved Bit**

This bit is reserved for future use. A read access always will return zero. A write access does not modify the content.

- **Bit 5 – ICF1 - Timer/Counter1 Input Capture Flag**

This flag is set when a capture event occurs on the ICP1 pin. When the Input Capture Register (ICR1) is set by the WGM13:0 to be used as the TOP value, the ICF1 Flag is set when the counter reaches the TOP value. ICF1 is automatically cleared when the Input Capture Interrupt Vector is executed. Alternatively, ICF1 can be cleared by writing a logic one to its bit location.

- **Bit 4 – Res - Reserved Bit**

This bit is reserved for future use. A read access always will return zero. A write access does not modify the content.

- **Bit 3 – OCF1C - Timer/Counter1 Output Compare C Match Flag**

This flag is set in the timer clock cycle after the counter (TCNT1) value matches the Output Compare Register C (OCR1C). Note that a Forced Output Compare (FOC1C) strobe will not set the OCF1C Flag. OCF1C is automatically cleared when the Output Compare Match C Interrupt Vector is executed. Alternatively, OCF1C can be cleared by writing a logic one to its bit location.

- **Bit 2 – OCF1B - Timer/Counter1 Output Compare B Match Flag**

This flag is set in the timer clock cycle after the counter (TCNT1) value matches the Output Compare Register B (OCR1B). Note that a Forced Output Compare (FOC1B) strobe will not set the OCF1B Flag. OCF1B is automatically cleared when the Output Compare Match B Interrupt Vector is executed. Alternatively, OCF1B can be cleared by writing a logic one to its bit location.

- **Bit 1 – OCF1A - Timer/Counter1 Output Compare A Match Flag**

This flag is set in the timer clock cycle after the counter (TCNT1) value matches the Output Compare Register A (OCR1A). Note that a Forced Output Compare (FOC1A) strobe will not set the OCF1A Flag. OCF1A is automatically cleared when the Output Compare Match A Interrupt Vector is executed. Alternatively, OCF1A can be cleared by writing a logic one to its bit location.

- **Bit 0 – TOV1 - Timer/Counter1 Overflow Flag**

The setting of this flag is dependent of the WGM13:0 bits setting of the Timer/Counter1 Control Register. In Normal and CTC modes, the TOV1 Flag is set when the timer

overflows. TOV1 is automatically cleared when the Timer/Counter1 Overflow Interrupt Vector is executed. Alternatively, TOV1 can be cleared by writing a logic one to its bit location.

## 18.11.16 TCCR3A – Timer/Counter3 Control Register A

|               |               |               |               |               |               |               |              |              |        |
|---------------|---------------|---------------|---------------|---------------|---------------|---------------|--------------|--------------|--------|
| Bit           | 7             | 6             | 5             | 4             | 3             | 2             | 1            | 0            |        |
| NA (\$90)     | <b>COM3A1</b> | <b>COM3A0</b> | <b>COM3B1</b> | <b>COM3B0</b> | <b>COM3C1</b> | <b>COM3C0</b> | <b>WGM31</b> | <b>WGM30</b> | TCCR3A |
| Read/Write    | RW            | RW            | RW            | RW            | RW            | RW            | RW           | RW           |        |
| Initial Value | 0             | 0             | 0             | 0             | 0             | 0             | 0            | 0            |        |

- **Bit 7:6 – COM3A1:0 - Compare Output Mode for Channel A**

The COM3A1:0 bits control the output compare behavior of pin OC3A. If one or both of the COM3A1:0 bits are written to one, the OC3A output overrides the normal port functionality of the I/O pin it is connected to. However note that the Data Direction Register (DDR) bit corresponding to the OC3A pin must be set in order to enable the output driver. When the OC3A is connected to the pin, the function of the COM3A1:0 bits is dependent of the WGM33:0 bits setting. The following table shows the COM3A1:0 bit functionality when the WGM33:0 bits are set to a normal or a CTC mode (non-PWM). For the other functionality refer to section "Modes of Operation".

**Table 18-12** COM3A Register Bits

| Register Bits | Value | Description  |
|---------------|-------|--|
| COM3A1:0      | 0     | Normal port operation, OCnA/OCnB/OCnC disconnected.              |
|               | 1     | Toggle OCnA/OCnB/OCnC on Compare Match.                          |
|               | 2     | Clear OCnA/OCnB/OCnC on Compare Match (set output to low level). |
|               | 3     | Set OCnA/OCnB/OCnC on Compare Match (set output to high level).  |

- **Bit 5:4 – COM3B1:0 - Compare Output Mode for Channel B**

The COM3B1:0 bits control the output compare behavior of pin OC3B. If one or both of the COM3B1:0 bits are written to one, the OC3B output overrides the normal port functionality of the I/O pin it is connected to. However note that the Data Direction Register (DDR) bit corresponding to the OC3B pin must be set in order to enable the output driver. When the OC3B is connected to the pin, the function of the COM3B1:0 bits is dependent of the WGM33:0 bits setting. The following table shows the COM3B1:0 bit functionality when the WGM33:0 bits are set to a normal or a CTC mode (non-PWM). For the other functionality refer to section "Modes of Operation".

**Table 18-13** COM3B Register Bits

| Register Bits | Value | Description  |
|---------------|-------|--|
| COM3B1:0      | 0     | Normal port operation, OCnA/OCnB/OCnC disconnected.              |
|               | 1     | Toggle OCnA/OCnB/OCnC on Compare Match.                          |
|               | 2     | Clear OCnA/OCnB/OCnC on Compare Match (set output to low level). |
|               | 3     | Set OCnA/OCnB/OCnC on Compare Match                              |

| Register Bits | Value | Description                 |
|---------------|-------|-----------------------------|
|               |       | (set output to high level). |

- **Bit 3:2 – COM3C1:0 - Compare Output Mode for Channel C**

The COM3C1:0 bits control the output compare behavior of pin OC3C. If one or both of the COM3C1:0 bits are written to one, the OC3C output overrides the normal port functionality of the I/O pin it is connected to. However note that the Data Direction Register (DDR) bit corresponding to the OC3C pin must be set in order to enable the output driver. When the OC3C is connected to the pin, the function of the COM3C1:0 bits is dependent of the WGM33:0 bits setting. The following table shows the COM3C1:0 bit functionality when the WGM33:0 bits are set to a normal or a CTC mode (non-PWM). For the other functionality refer to section "Modes of Operation".

**Table 18-14** COM3C Register Bits

| Register Bits | Value | Description  |
|---------------|-------|--|
| COM3C1:0      | 0     | Normal port operation, OCnA/OCnB/OCnC disconnected.              |
|               | 1     | Toggle OCnA/OCnB/OCnC on Compare Match.                          |
|               | 2     | Clear OCnA/OCnB/OCnC on Compare Match (set output to low level). |
|               | 3     | Set OCnA/OCnB/OCnC on Compare Match (set output to high level).  |

- **Bit 1:0 – WGM31:30 - Waveform Generation Mode**

Combined with the WGM33:32 bits, found in the TCCR3B Register, these bits control the counting sequence of the counter, the source for maximum (TOP) counter value and what type of waveform generation to be used. Modes of operation supported by the Timer/Counter unit are: Normal mode (counter), Clear Timer on Compare match (CTC) mode, and three types of Pulse Width Modulation (PWM) modes. For more information on the different modes see section "Modes of Operation".

**Table 18-15** WGM3 Register Bits

| Register Bits | Value | Description                                   |
|---------------|-------|---|
| WGM33:30      | 0x0   | Normal mode of operation                      |
|               | 0x1   | PWM, phase correct, 8-bit                     |
|               | 0x2   | PWM, phase correct, 9-bit                     |
|               | 0x3   | PWM, phase correct, 10-bit                    |
|               | 0x4   | CTC, TOP = OCRnA                              |
|               | 0x5   | Fast PWM, 8-bit                               |
|               | 0x6   | Fast PWM, 9-bit                               |
|               | 0x7   | Fast PWM, 10-bit                              |
|               | 0x8   | PWM, Phase and frequency correct, TOP = ICRn  |
|               | 0x9   | PWM, Phase and frequency correct, TOP = OCRnA |
|               | 0xA   | PWM, Phase correct, TOP = ICRn                |
|               | 0xB   | PWM, Phase correct, TOP = OCRnA               |
|               | 0xC   | CTC, TOP = OCRnA                              |
|               | 0xD   | Reserved                                      |

| Register Bits | Value | Description           |
|---------------|-------|-----------------------|
|               | 0xE   | Fast PWM, TOP = ICRn  |
|               | 0xF   | Fast PWM, TOP = OCRnA |

### 18.11.17 TCCR3B – Timer/Counter3 Control Register B

| Bit           | 7            | 6            | 5          | 4            | 3            | 2           | 1           | 0           |        |
|---------------|--------------|--------------|------------|--------------|--------------|-------------|-------------|-------------|--------|
| NA (\$91)     | <b>ICNC3</b> | <b>ICES3</b> | <b>Res</b> | <b>WGM33</b> | <b>WGM32</b> | <b>CS32</b> | <b>CS31</b> | <b>CS30</b> | TCCR3B |
| Read/Write    | RW           | RW           | R          | RW           | RW           | RW          | RW          | RW          |        |
| Initial Value | 0            | 0            | 0          | 0            | 0            | 0           | 0           | 0           |        |

- **Bit 7 – ICNC3 - Input Capture 3 Noise Canceller**

Setting this bit (to one) activates the Input Capture Noise Canceler. When the Noise Canceler is activated, the input from the Input Capture Pin (ICP3) is filtered. The filter function requires four successive equal valued samples of the ICP3 pin for changing its output. The input capture is therefore delayed by four Oscillator cycles when the noise canceler is enabled.

- **Bit 6 – ICES3 - Input Capture 3 Edge Select**

This bit selects which edge on the Input Capture Pin (ICP3) that is used to trigger a capture event. When the ICES3 bit is written to zero, a falling (negative) edge is used as trigger. When the ICES3 bit is written to one, a rising (positive) edge will trigger the capture. When a capture is triggered according to the ICES3 setting, the counter value is copied into the Input Capture Register (ICR3). The event will also set the Input Capture Flag (ICF3). This can be used to cause an Input Capture Interrupt, if this interrupt is enabled. When the ICR3 is used as TOP value (see description of the WGM33:0 bits located in the TCCR3A and the TCCR3B Register), the ICP3 is disconnected and consequently the input capture function is disabled.

- **Bit 5 – Res - Reserved Bit**

This bit is reserved for future use. A read access always will return zero. A write access does not modify the content.

- **Bit 4:3 – WGM33:32 - Waveform Generation Mode**

Combined with the WGM31:30 bits, found in the TCCR3A Register, these bits control the counting sequence of the counter, the source for maximum (TOP) counter value and what type of waveform generation to be used. Modes of operation supported by the Timer/Counter unit are: Normal mode (counter), Clear Timer on Compare match (CTC) mode, and three types of Pulse Width Modulation (PWM) modes. For more information on the different modes see section "Modes of Operation".

**Table 18-16 WGM3 Register Bits**

| Register Bits | Value | Description                |
|---------------|-------|----------------------------|
| WGM33:30      | 0x0   | Normal mode of operation   |
|               | 0x1   | PWM, phase correct, 8-bit  |
|               | 0x2   | PWM, phase correct, 9-bit  |
|               | 0x3   | PWM, phase correct, 10-bit |
|               | 0x4   | CTC, TOP = OCRnA           |
|               | 0x5   | Fast PWM, 8-bit            |
|               | 0x6   | Fast PWM, 9-bit            |

| Register Bits | Value | Description                                   |
|---------------|-------|---|
|               | 0x7   | Fast PWM, 10-bit                              |
|               | 0x8   | PWM, Phase and frequency correct, TOP = ICRn  |
|               | 0x9   | PWM, Phase and frequency correct, TOP = OCRnA |
|               | 0xA   | PWM, Phase correct, TOP = ICRn                |
|               | 0xB   | PWM, Phase correct, TOP = OCRnA               |
|               | 0xC   | CTC, TOP = OCRnA                              |
|               | 0xD   | Reserved                                      |
|               | 0xE   | Fast PWM, TOP = ICRn                          |
|               | 0xF   | Fast PWM, TOP = OCRnA                         |

- **Bit 2:0 – CS32:30 - Clock Select**

The three clock select bits select the clock source to be used by the Timer/Counter3 according to the following table. If external pin modes are used for the Timer/Counter3, transitions on the T3 pin will clock the counter even if the pin is configured as an output. This feature allows software control of the counting.

**Table 18-17** CS3 Register Bits

| Register Bits | Value | Description  |
|---------------|-------|--|
| CS32:30       | 0x00  | No clock source (Timer/Counter stopped)                |
|               | 0x01  | clkIO/1 (no prescaling)                                |
|               | 0x02  | clkIO/8 (from prescaler)                               |
|               | 0x03  | clkIO/64 (from prescaler)                              |
|               | 0x04  | clkIO/256 (from prescaler)                             |
|               | 0x05  | clkIO/1024 (from prescaler)                            |
|               | 0x06  | External clock source on Tn pin, clock on falling edge |
|               | 0x07  | External clock source on Tn pin, clock on rising edge  |

### 18.11.18 TCCR3C – Timer/Counter3 Control Register C

|               |   |       |      |      |      |      |      |   |       |       |       |      |      |      |      |      |        |
|---------------|---|-------|------|------|------|------|------|---|-------|-------|-------|------|------|------|------|------|--------|
| Bit           | 7   | 6     | 5    | 4    | 3    | 2    | 1    | 0 |       |       |       |      |      |      |      |      |        |
| NA (\$92)     | <table border="1" style="width: 100%; border-collapse: collapse;"> <tr> <td style="width: 12.5%; text-align: center;">FOC3A</td> <td style="width: 12.5%; text-align: center;">FOC3B</td> <td style="width: 12.5%; text-align: center;">FOC3C</td> <td style="width: 12.5%; text-align: center;">Res4</td> <td style="width: 12.5%; text-align: center;">Res3</td> <td style="width: 12.5%; text-align: center;">Res2</td> <td style="width: 12.5%; text-align: center;">Res1</td> <td style="width: 12.5%; text-align: center;">Res0</td> </tr> </table> |       |      |      |      |      |      |   | FOC3A | FOC3B | FOC3C | Res4 | Res3 | Res2 | Res1 | Res0 | TCCR3C |
| FOC3A         | FOC3B   | FOC3C | Res4 | Res3 | Res2 | Res1 | Res0 |   |       |       |       |      |      |      |      |      |        |
| Read/Write    | RW  | RW    | RW   | R    | R    | R    | R    | R |       |       |       |      |      |      |      |      |        |
| Initial Value | 0   | 0     | 0    | 0    | 0    | 0    | 0    | 0 |       |       |       |      |      |      |      |      |        |

- **Bit 7 – FOC3A - Force Output Compare for Channel A**

The FOC3A bit is only active when the WGM33:0 bits specify a non-PWM mode. When writing a logical one to the FOC3A bit, an immediate compare match is forced on the waveform generation unit. The OC3A output is changed according to its COM3A1:0 bits setting. Note that the FOC3A bits are implemented as strobes. Therefore it is the value present in the COM3A1:0 bits that determine the effect of the forced compare. A FOC3A strobe will not generate any interrupt nor will it clear the timer in Clear Timer on Compare Match (CTC) mode using OCR3A as TOP. The FOC3A bits are always read as zero.

- **Bit 6 – FOC3B - Force Output Compare for Channel B**

The FOC3B bit is only active when the WGM33:0 bits specify a non-PWM mode. When writing a logical one to the FOC3B bit, an immediate compare match is forced on the waveform generation unit. The OC3B output is changed according to its COM3B1:0 bits setting. Note that the FOC3B bits are implemented as strobes. Therefore it is the value present in the COM3B1:0 bits that determine the effect of the forced compare. A FOC3B strobe will not generate any interrupt nor will it clear the timer in Clear Timer on Compare Match (CTC) mode using OCR1B as TOP. The FOC3B bits are always read as zero.

- **Bit 5 – FOC3C - Force Output Compare for Channel C**

The FOC3C bit is only active when the WGM33:0 bits specify a non-PWM mode. When writing a logical one to the FOC3C bit, an immediate compare match is forced on the waveform generation unit. The OC3C output is changed according to its COM3C1:0 bits setting. Note that the FOC3C bits are implemented as strobes. Therefore it is the value present in the COM3C1:0 bits that determine the effect of the forced compare. A FOC3C strobe will not generate any interrupt nor will it clear the timer in Clear Timer on Compare Match (CTC) mode using OCR3C as TOP. The FOC3C bits are always read as zero.

- **Bit 4:0 – Res4:0 - Reserved**

These bits are reserved for future use.

### 18.11.19 TCNT3H – Timer/Counter3 High Byte

|               |                  |    |    |    |    |    |    |    |               |
|---------------|------------------|----|----|----|----|----|----|----|---------------|
| Bit           | 7                | 6  | 5  | 4  | 3  | 2  | 1  | 0  |               |
| NA (\$95)     | <b>TCNT3H7:0</b> |    |    |    |    |    |    |    | <b>TCNT3H</b> |
| Read/Write    | RW               | RW | RW | RW | RW | RW | RW | RW |               |
| Initial Value | 0                | 0  | 0  | 0  | 0  | 0  | 0  | 0  |               |

The two Timer/Counter I/O locations (TCNT3H and TCNT3L, combined TCNT3) give direct access, both for read and for write operations, to the Timer/Counter unit 16-bit counter. To ensure that both the high and low bytes are read and written simultaneously when the CPU accesses these registers, the access is performed using an 8-bit temporary High Byte Register (TEMP). This temporary register is shared by all the other 16-bit registers. See section "Accessing 16-bit Registers" for details. Modifying the counter (TCNT3) while the counter is running introduces a risk of missing a compare match between TCNT3 and one of the OCR3x Registers. Writing to the TCNT3 Register blocks (removes) the compare match on the following timer clock for all compare units.

- **Bit 7:0 – TCNT3H7:0 - Timer/Counter3 High Byte**

### 18.11.20 TCNT3L – Timer/Counter3 Low Byte

|               |                  |    |    |    |    |    |    |    |               |
|---------------|------------------|----|----|----|----|----|----|----|---------------|
| Bit           | 7                | 6  | 5  | 4  | 3  | 2  | 1  | 0  |               |
| NA (\$94)     | <b>TCNT3L7:0</b> |    |    |    |    |    |    |    | <b>TCNT3L</b> |
| Read/Write    | RW               | RW | RW | RW | RW | RW | RW | RW |               |
| Initial Value | 0                | 0  | 0  | 0  | 0  | 0  | 0  | 0  |               |

The two Timer/Counter I/O locations (TCNT3H and TCNT3L, combined TCNT3) give direct access, both for read and for write operations, to the Timer/Counter unit 16-bit counter. To ensure that both the high and low bytes are read and written simultaneously when the CPU accesses these registers, the access is performed using an 8-bit temporary High Byte Register (TEMP). This temporary register is shared by all the other 16-bit registers. See section "Accessing 16-bit Registers" for details. Modifying the counter (TCNT3) while the counter is running introduces a risk of missing a compare match between TCNT3 and one of the OCR3x Registers. Writing to the TCNT3 Register blocks (removes) the compare match on the following timer clock for all compare units.

- **Bit 7:0 – TCNT3L7:0 - Timer/Counter3 Low Byte**

## 18.11.21 OCR3AH – Timer/Counter3 Output Compare Register A High Byte

| Bit           | 7                | 6  | 5  | 4  | 3  | 2  | 1  | 0  |               |
|---------------|------------------|----|----|----|----|----|----|----|---------------|
| NA (\$99)     | <b>OCR3AH7:0</b> |    |    |    |    |    |    |    | <b>OCR3AH</b> |
| Read/Write    | RW               | RW | RW | RW | RW | RW | RW | RW |               |
| Initial Value | 0                | 0  | 0  | 0  | 0  | 0  | 0  | 0  |               |

The Output Compare Registers contain a 16-bit value that is continuously compared with the counter value (TCNT3). A match can be used to generate an Output Compare interrupt, or to generate a waveform output on the OC3A pin. The Output Compare Registers are 16-bit in size. To ensure that both the high and low bytes are written simultaneously when the CPU writes to these registers, the access is performed using an 8-bit temporary High Byte Register (TEMP). This temporary register is shared by all the other 16-bit registers. See section "Accessing 16-bit Registers" for details.

- **Bit 7:0 – OCR3AH7:0 - Timer/Counter3 Output Compare Register High Byte**

## 18.11.22 OCR3AL – Timer/Counter3 Output Compare Register A Low Byte

| Bit           | 7                | 6  | 5  | 4  | 3  | 2  | 1  | 0  |               |
|---------------|------------------|----|----|----|----|----|----|----|---------------|
| NA (\$98)     | <b>OCR3AL7:0</b> |    |    |    |    |    |    |    | <b>OCR3AL</b> |
| Read/Write    | RW               | RW | RW | RW | RW | RW | RW | RW |               |
| Initial Value | 0                | 0  | 0  | 0  | 0  | 0  | 0  | 0  |               |

The Output Compare Registers contain a 16-bit value that is continuously compared with the counter value (TCNT3). A match can be used to generate an Output Compare interrupt, or to generate a waveform output on the OC3A pin. The Output Compare Registers are 16-bit in size. To ensure that both the high and low bytes are written simultaneously when the CPU writes to these registers, the access is performed using an 8-bit temporary High Byte Register (TEMP). This temporary register is shared by all the other 16-bit registers. See section "Accessing 16-bit Registers" for details.

- **Bit 7:0 – OCR3AL7:0 - Timer/Counter3 Output Compare Register Low Byte**



## 18.11.23 OCR3BH – Timer/Counter3 Output Compare Register B High Byte

|               |           |    |    |    |    |    |    |    |        |
|---------------|-----------|----|----|----|----|----|----|----|--------|
| Bit           | 7         | 6  | 5  | 4  | 3  | 2  | 1  | 0  |        |
| NA (\$9B)     | OCR3BH7:0 |    |    |    |    |    |    |    | OCR3BH |
| Read/Write    | RW        | RW | RW | RW | RW | RW | RW | RW |        |
| Initial Value | 0         | 0  | 0  | 0  | 0  | 0  | 0  | 0  |        |

The Output Compare Registers contain a 16-bit value that is continuously compared with the counter value (TCNT3). A match can be used to generate an Output Compare interrupt, or to generate a waveform output on the OC3B pin. The Output Compare Registers are 16-bit in size. To ensure that both the high and low bytes are written simultaneously when the CPU writes to these registers, the access is performed using an 8-bit temporary High Byte Register (TEMP). This temporary register is shared by all the other 16-bit registers. See section "Accessing 16-bit Registers" for details.

- **Bit 7:0 – OCR3BH7:0 - Timer/Counter3 Output Compare Register High Byte**

## 18.11.24 OCR3BL – Timer/Counter3 Output Compare Register B Low Byte

|               |           |    |    |    |    |    |    |    |        |
|---------------|-----------|----|----|----|----|----|----|----|--------|
| Bit           | 7         | 6  | 5  | 4  | 3  | 2  | 1  | 0  |        |
| NA (\$9A)     | OCR3BL7:0 |    |    |    |    |    |    |    | OCR3BL |
| Read/Write    | R         | RW | RW | RW | RW | RW | RW | RW |        |
| Initial Value | 0         | 0  | 0  | 0  | 0  | 0  | 0  | 0  |        |

The Output Compare Registers contain a 16-bit value that is continuously compared with the counter value (TCNT3). A match can be used to generate an Output Compare interrupt, or to generate a waveform output on the OC3B pin. The Output Compare Registers are 16-bit in size. To ensure that both the high and low bytes are written simultaneously when the CPU writes to these registers, the access is performed using an 8-bit temporary High Byte Register (TEMP). This temporary register is shared by all the other 16-bit registers. See section "Accessing 16-bit Registers" for details.

- **Bit 7:0 – OCR3BL7:0 - Timer/Counter3 Output Compare Register Low Byte**

## 18.11.25 OCR3CH – Timer/Counter3 Output Compare Register C High Byte

|               |           |    |    |    |    |    |    |    |        |
|---------------|-----------|----|----|----|----|----|----|----|--------|
| Bit           | 7         | 6  | 5  | 4  | 3  | 2  | 1  | 0  |        |
| NA (\$9D)     | OCR3CH7:0 |    |    |    |    |    |    |    | OCR3CH |
| Read/Write    | RW        | RW | RW | RW | RW | RW | RW | RW |        |
| Initial Value | 0         | 0  | 0  | 0  | 0  | 0  | 0  | 0  |        |

The Output Compare Registers contain a 16-bit value that is continuously compared with the counter value (TCNT3). A match can be used to generate an Output Compare interrupt, or to generate a waveform output on the OC3C pin. The Output Compare Registers are 16-bit in size. To ensure that both the high and low bytes are written simultaneously when the CPU writes to these registers, the access is performed using an 8-bit temporary High Byte Register (TEMP). This temporary register is shared by all the other 16-bit registers. See section "Accessing 16-bit Registers" for details.

- **Bit 7:0 – OCR3CH7:0 - Timer/Counter3 Output Compare Register High Byte**



## 18.11.26 OCR3CL – Timer/Counter3 Output Compare Register C Low Byte

|               |                  |    |    |    |    |    |    |    |               |
|---------------|------------------|----|----|----|----|----|----|----|---------------|
| Bit           | 7                | 6  | 5  | 4  | 3  | 2  | 1  | 0  |               |
| NA (\$9C)     | <b>OCR3CL7:0</b> |    |    |    |    |    |    |    | <b>OCR3CL</b> |
| Read/Write    | R                | RW | RW | RW | RW | RW | RW | RW |               |
| Initial Value | 0                | 0  | 0  | 0  | 0  | 0  | 0  | 0  |               |

The Output Compare Registers contain a 16-bit value that is continuously compared with the counter value (TCNT3). A match can be used to generate an Output Compare interrupt, or to generate a waveform output on the OC3C pin. The Output Compare Registers are 16-bit in size. To ensure that both the high and low bytes are written simultaneously when the CPU writes to these registers, the access is performed using an 8-bit temporary High Byte Register (TEMP). This temporary register is shared by all the other 16-bit registers. See section "Accessing 16-bit Registers" for details.

- **Bit 7:0 – OCR3CL7:0 - Timer/Counter3 Output Compare Register Low Byte**

## 18.11.27 ICR3H – Timer/Counter3 Input Capture Register High Byte

|               |                 |   |   |   |   |   |   |   |              |
|---------------|-----------------|---|---|---|---|---|---|---|--------------|
| Bit           | 7               | 6 | 5 | 4 | 3 | 2 | 1 | 0 |              |
| NA (\$97)     | <b>ICR3H7:0</b> |   |   |   |   |   |   |   | <b>ICR3H</b> |
| Read/Write    | R               | R | R | R | R | R | R | R |              |
| Initial Value | 0               | 0 | 0 | 0 | 0 | 0 | 0 | 0 |              |

The Input Capture Register is updated with the counter (TCNT3) value each time an event occurs on the ICP3 pin. The Input Capture Register can be used for defining the counter TOP value. The Input Capture Register is 16-bit in size. To ensure that both the high and low bytes are read simultaneously when the CPU accesses these registers, the access is performed using an 8-bit temporary High Byte Register (TEMP). This temporary register is shared by all the other 16-bit registers. See section "Accessing 16-bit Registers" for details.

- **Bit 7:0 – ICR3H7:0 - Timer/Counter3 Input Capture Register High Byte**

## 18.11.28 ICR3L – Timer/Counter3 Input Capture Register Low Byte

|               |                 |   |   |   |   |   |   |   |              |
|---------------|-----------------|---|---|---|---|---|---|---|--------------|
| Bit           | 7               | 6 | 5 | 4 | 3 | 2 | 1 | 0 |              |
| NA (\$96)     | <b>ICR3L7:0</b> |   |   |   |   |   |   |   | <b>ICR3L</b> |
| Read/Write    | R               | R | R | R | R | R | R | R |              |
| Initial Value | 0               | 0 | 0 | 0 | 0 | 0 | 0 | 0 |              |

The Input Capture Register is updated with the counter (TCNT3) value each time an event occurs on the ICP3 pin. The Input Capture Register can be used for defining the counter TOP value. The Input Capture Register is 16-bit in size. To ensure that both the high and low bytes are read simultaneously when the CPU accesses these registers, the access is performed using an 8-bit temporary High Byte Register (TEMP). This temporary register is shared by all the other 16-bit registers. See section "Accessing 16-bit Registers" for details.

- **Bit 7:0 – ICR3L7:0 - Timer/Counter3 Input Capture Register Low Byte**

### 18.11.29 TIMSK3 – Timer/Counter3 Interrupt Mask Register

| Bit           | 7           | 6           | 5            | 4          | 3             | 2             | 1             | 0            |               |
|---------------|-------------|-------------|--------------|------------|---------------|---------------|---------------|--------------|---------------|
| NA (\$71)     | <b>Res1</b> | <b>Res0</b> | <b>ICIE3</b> | <b>Res</b> | <b>OCIE3C</b> | <b>OCIE3B</b> | <b>OCIE3A</b> | <b>TOIE3</b> | <b>TIMSK3</b> |
| Read/Write    | R           | R           | RW           | R          | R             | R             | RW            | RW           |               |
| Initial Value | 0           | 0           | 0            | 0          | 0             | 0             | 0             | 0            |               |

- **Bit 7:6 – Res1:0 - Reserved Bit**

This bit is reserved for future use. A read access always will return zero. A write access does not modify the content.

- **Bit 5 – ICIE3 - Timer/Counter3 Input Capture Interrupt Enable**

When this bit is written to one, and the I-flag in the Status Register is set (interrupts globally enabled), the Timer/Counter3 Input Capture interrupt is enabled. The corresponding Interrupt Vector is executed when the ICF3 Flag, located in TIFR3, is set.

- **Bit 4 – Res - Reserved Bit**

This bit is reserved for future use. A read access always will return zero. A write access does not modify the content.

- **Bit 3 – OCIE3C - Timer/Counter3 Output Compare C Match Interrupt Enable**

When this bit is written to one, and the I-flag in the Status Register is set (interrupts globally enabled), the Timer/Counter3 Output Compare C Match interrupt is enabled. The corresponding Interrupt Vector is executed when the OCF3C Flag, located in TIFR3, is set.

- **Bit 2 – OCIE3B - Timer/Counter3 Output Compare B Match Interrupt Enable**

When this bit is written to one, and the I-flag in the Status Register is set (interrupts globally enabled), the Timer/Counter3 Output Compare B Match interrupt is enabled. The corresponding Interrupt Vector is executed when the OCF3B Flag, located in TIFR3, is set.

- **Bit 1 – OCIE3A - Timer/Counter3 Output Compare A Match Interrupt Enable**

When this bit is written to one, and the I-flag in the Status Register is set (interrupts globally enabled), the Timer/Counter3 Output Compare A Match interrupt is enabled. The corresponding Interrupt Vector is executed when the OCF3A Flag, located in TIFR3, is set.

- **Bit 0 – TOIE3 - Timer/Counter3 Overflow Interrupt Enable**

When this bit is written to one, and the I-flag in the Status Register is set (interrupts globally enabled), the Timer/Counter3 Overflow interrupt is enabled. The corresponding Interrupt Vector is executed when the TOV3 Flag, located in TIFR3, is set.

### 18.11.30 TIFR3 – Timer/Counter3 Interrupt Flag Register

| Bit           | 7           | 6           | 5           | 4          | 3            | 2            | 1            | 0           |              |
|---------------|-------------|-------------|-------------|------------|--------------|--------------|--------------|-------------|--------------|
| \$18 (\$38)   | <b>Res1</b> | <b>Res0</b> | <b>ICF3</b> | <b>Res</b> | <b>OCF3C</b> | <b>OCF3B</b> | <b>OCF3A</b> | <b>TOV3</b> | <b>TIFR3</b> |
| Read/Write    | R           | R           | RW          | R          | RW           | RW           | RW           | RW          |              |
| Initial Value | 0           | 0           | 0           | 0          | 0            | 0            | 0            | 0           |              |

- **Bit 7:6 – Res1:0 - Reserved Bit**

This bit is reserved for future use. A read access always will return zero. A write access does not modify the content.

- **Bit 5 – ICF3 - Timer/Counter3 Input Capture Flag**

This flag is set when a capture event occurs on the ICP3 pin. When the Input Capture Register (ICR3) is set by the WGM33:0 to be used as the TOP value, the ICF3 Flag is set when the counter reaches the TOP value. ICF3 is automatically cleared when the Input Capture Interrupt Vector is executed. Alternatively, ICF3 can be cleared by writing a logic one to its bit location.

- **Bit 4 – Res - Reserved Bit**

This bit is reserved for future use. A read access always will return zero. A write access does not modify the content.

- **Bit 3 – OCF3C - Timer/Counter3 Output Compare C Match Flag**

This flag is set in the timer clock cycle after the counter (TCNT3) value matches the Output Compare Register C (OCR3C). Note that a Forced Output Compare (FOC3C) strobe will not set the OCF3C Flag. OCF3C is automatically cleared when the Output Compare Match C Interrupt Vector is executed. Alternatively, OCF3C can be cleared by writing a logic one to its bit location.

- **Bit 2 – OCF3B - Timer/Counter3 Output Compare B Match Flag**

This flag is set in the timer clock cycle after the counter (TCNT3) value matches the Output Compare Register B (OCR3B). Note that a Forced Output Compare (FOC3B) strobe will not set the OCF3B Flag. OCF3B is automatically cleared when the Output Compare Match B Interrupt Vector is executed. Alternatively, OCF3B can be cleared by writing a logic one to its bit location.

- **Bit 1 – OCF3A - Timer/Counter3 Output Compare A Match Flag**

This flag is set in the timer clock cycle after the counter (TCNT3) value matches the Output Compare Register A (OCR3A). Note that a Forced Output Compare (FOC3A) strobe will not set the OCF3A Flag. OCF3A is automatically cleared when the Output Compare Match A Interrupt Vector is executed. Alternatively, OCF3A can be cleared by writing a logic one to its bit location.

- **Bit 0 – TOV3 - Timer/Counter3 Overflow Flag**

The setting of this flag is dependent of the WGM33:0 bits setting of the Timer/Counter3 Control Register. In Normal and CTC modes, the TOV3 Flag is set when the timer overflows. TOV3 is automatically cleared when the Timer/Counter3 Overflow Interrupt Vector is executed. Alternatively, TOV3 can be cleared by writing a logic one to its bit location.

### 18.11.31 TCCR4A – Timer/Counter4 Control Register A

| Bit           | 7      | 6      | 5      | 4      | 3      | 2      | 1     | 0     |        |
|---------------|--------|--------|--------|--------|--------|--------|-------|-------|--------|
| NA (\$A0)     | COM4A1 | COM4A0 | COM4B1 | COM4B0 | COM4C1 | COM4C0 | WGM41 | WGM40 | TCCR4A |
| Read/Write    | RW     | RW     | RW     | RW     | RW     | RW     | RW    | RW    |        |
| Initial Value | 0      | 0      | 0      | 0      | 0      | 0      | 0     | 0     |        |

- **Bit 7:6 – COM4A1:0 - Compare Output Mode for Channel A**

The Timer/Counter4 has only limited functionality. Therefore the COM4A1:0 bits do not control the output compare behavior of any pin. The following table shows the

COM4A1:0 bit functionality when the WGM43:0 bits are set to a normal or a CTC mode (non-PWM). For the other functionality refer to section "Modes of Operation".

**Table 18-18 COM4A Register Bits**

| Register Bits | Value | Description      |
|---------------|-------|------------------|
| COM4A1:0      | 0     | Normal operation |
|               | 1     | Reserved         |
|               | 2     | Reserved         |
|               | 3     | Reserved         |

• **Bit 5:4 – COM4B1:0 - Compare Output Mode for Channel B**

The Timer/Counter4 has only limited functionality. Therefore the COM4B1:0 bits do not control the output compare behavior of any pin. The following table shows the COM4B1:0 bit functionality when the WGM43:0 bits are set to a normal or a CTC mode (non-PWM). For the other functionality refer to section "Modes of Operation".

**Table 18-19 COM4B Register Bits**

| Register Bits | Value | Description      |
|---------------|-------|------------------|
| COM4B1:0      | 0     | Normal operation |
|               | 1     | Reserved         |
|               | 2     | Reserved         |
|               | 3     | Reserved         |

• **Bit 3:2 – COM4C1:0 - Compare Output Mode for Channel C**

The Timer/Counter4 has only limited functionality. Therefore the COM4C1:0 bits do not control the output compare behavior of any pin. The following table shows the COM4C1:0 bit functionality when the WGM43:0 bits are set to a normal or a CTC mode (non-PWM). For the other functionality refer to section "Modes of Operation".

**Table 18-20 COM4C Register Bits**

| Register Bits | Value | Description      |
|---------------|-------|------------------|
| COM4C1:0      | 0     | Normal operation |
|               | 1     | Reserved         |
|               | 2     | Reserved         |
|               | 3     | Reserved         |

• **Bit 1:0 – WGM41:40 - Waveform Generation Mode**

Combined with the WGM43:42 bits, found in the TCCR4B Register, these bits control the counting sequence of the counter, the source for maximum (TOP) counter value and what type of waveform generation to be used. Modes of operation supported by the Timer/Counter unit are: Normal mode (counter), Clear Timer on Compare match (CTC) mode, and three types of Pulse Width Modulation (PWM) modes. For more information on the different modes see section "Modes of Operation". Note that Timer/Counter4 has only limited functionality. It cannot be connected to any I/O pin.

**Table 18-21 WGM4 Register Bits**

| Register Bits | Value | Description                |
|---------------|-------|----------------------------|
| WGM43:40      | 0x0   | Normal mode of operation   |
|               | 0x1   | PWM, phase correct, 8-bit  |
|               | 0x2   | PWM, phase correct, 9-bit  |
|               | 0x3   | PWM, phase correct, 10-bit |
|               | 0x4   | CTC, TOP = OCRnA           |

| Register Bits | Value | Description                                   |
|---------------|-------|---|
|               | 0x5   | Fast PWM, 8-bit                               |
|               | 0x6   | Fast PWM, 9-bit                               |
|               | 0x7   | Fast PWM, 10-bit                              |
|               | 0x8   | PWM, Phase and frequency correct, TOP = ICRn  |
|               | 0x9   | PWM, Phase and frequency correct, TOP = OCRnA |
|               | 0xA   | PWM, Phase correct, TOP = ICRn                |
|               | 0xB   | PWM, Phase correct, TOP = OCRnA               |
|               | 0xC   | CTC, TOP = OCRnA                              |
|               | 0xD   | Reserved                                      |
|               | 0xE   | Fast PWM, TOP = ICRn                          |
|               | 0xF   | Fast PWM, TOP = OCRnA                         |

### 18.11.32 TCCR4B – Timer/Counter4 Control Register B

| Bit           | 7            | 6            | 5          | 4            | 3            | 2           | 1           | 0           |        |
|---------------|--------------|--------------|------------|--------------|--------------|-------------|-------------|-------------|--------|
| NA (\$A1)     | <b>ICNC4</b> | <b>ICES4</b> | <b>Res</b> | <b>WGM43</b> | <b>WGM42</b> | <b>CS42</b> | <b>CS41</b> | <b>CS40</b> | TCCR4B |
| Read/Write    | RW           | RW           | R          | RW           | RW           | RW          | RW          | RW          |        |
| Initial Value | 0            | 0            | 0          | 0            | 0            | 0           | 0           | 0           |        |

- **Bit 7 – ICNC4 - Input Capture 4 Noise Canceller**

Timer/Counter4 has only limited functionality. It is not connected to any Input Capture Pin. Therefore this bit has no meaningful function.

- **Bit 6 – ICES4 - Input Capture 4 Edge Select**

Timer/Counter4 has only limited functionality. It is not connected to any Input Capture Pin. Therefore this bit has no meaningful function.

- **Bit 5 – Res - Reserved Bit**

This bit is reserved for future use. A read access always will return zero. A write access does not modify the content.

- **Bit 4:3 – WGM43:42 - Waveform Generation Mode**

Combined with the WGM41:40 bits, found in the TCCR4A Register, these bits control the counting sequence of the counter, the source for maximum (TOP) counter value and what type of waveform generation to be used. Modes of operation supported by the Timer/Counter unit are: Normal mode (counter), Clear Timer on Compare match (CTC) mode, and three types of Pulse Width Modulation (PWM) modes. For more information on the different modes see section "Modes of Operation". Note that Timer/Counter4 has only limited functionality. It cannot be connected to any I/O pin.

**Table 18-22 WGM4 Register Bits**

| Register Bits | Value | Description                |
|---------------|-------|----------------------------|
| WGM43:40      | 0x0   | Normal mode of operation   |
|               | 0x1   | PWM, phase correct, 8-bit  |
|               | 0x2   | PWM, phase correct, 9-bit  |
|               | 0x3   | PWM, phase correct, 10-bit |

| Register Bits | Value | Description                                   |
|---------------|-------|---|
|               | 0x4   | CTC, TOP = OCRnA                              |
|               | 0x5   | Fast PWM, 8-bit                               |
|               | 0x6   | Fast PWM, 9-bit                               |
|               | 0x7   | Fast PWM, 10-bit                              |
|               | 0x8   | PWM, Phase and frequency correct, TOP = ICRn  |
|               | 0x9   | PWM, Phase and frequency correct, TOP = OCRnA |
|               | 0xA   | PWM, Phase correct, TOP = ICRn                |
|               | 0xB   | PWM, Phase correct, TOP = OCRnA               |
|               | 0xC   | CTC, TOP = OCRnA                              |
|               | 0xD   | Reserved                                      |
|               | 0xE   | Fast PWM, TOP = ICRn                          |
|               | 0xF   | Fast PWM, TOP = OCRnA                         |

- **Bit 2:0 – CS42:40 - Clock Select**

The three clock select bits select the clock source to be used by the Timer/Counter4 according to the following table. External pin modes cannot be used for the Timer/Counter4.

**Table 18-23** CS4 Register Bits

| Register Bits | Value | Description                             |
|---------------|-------|---|
| CS42:40       | 0x00  | No clock source (Timer/Counter stopped) |
|               | 0x01  | clkIO/1 (no prescaling)                 |
|               | 0x02  | clkIO/8 (from prescaler)                |
|               | 0x03  | clkIO/64 (from prescaler)               |
|               | 0x04  | clkIO/256 (from prescaler)              |
|               | 0x05  | clkIO/1024 (from prescaler)             |
|               | 0x06  | Reserved                                |
|               | 0x07  | Reserved                                |

### 18.11.33 TCCR4C – Timer/Counter4 Control Register C

|               |              |              |              |             |             |             |             |             |               |
|---------------|--------------|--------------|--------------|-------------|-------------|-------------|-------------|-------------|---------------|
| Bit           | 7            | 6            | 5            | 4           | 3           | 2           | 1           | 0           |               |
| NA (\$A2)     | <b>FOC4A</b> | <b>FOC4B</b> | <b>FOC4C</b> | <b>Res4</b> | <b>Res3</b> | <b>Res2</b> | <b>Res1</b> | <b>Res0</b> | <b>TCCR4C</b> |
| Read/Write    | RW           | RW           | RW           | R           | R           | R           | R           | R           |               |
| Initial Value | 0            | 0            | 0            | 0           | 0           | 0           | 0           | 0           |               |

- **Bit 7 – FOC4A - Force Output Compare for Channel A**

The FOC4A bit is only active when the WGM43:0 bits specify a non-PWM mode. When writing a logical one to the FOC4A bit, an immediate compare match is forced. Due to the limited functionality of the Timer/Counter4 the match has no direct impact on any output pin. Note that the FOC4A bits are implemented as strobes. Therefore it is the value present in the COM4A1:0 bits that determine the effect of the forced compare. A FOC4A strobe will not generate any interrupt nor will it clear the timer in Clear Timer on

Compare Match (CTC) mode using OCR4A as TOP. The FOC4A bits are always read as zero.

- **Bit 6 – FOC4B - Force Output Compare for Channel B**

The FOC4B bit is only active when the WGM43:0 bits specify a non-PWM mode. When writing a logical one to the FOC4B bit, an immediate compare match is forced. Due to the limited functionality of the Timer/Counter4 the match has no direct impact on any output pin. Note that the FOC4B bits are implemented as strobes. Therefore it is the value present in the COM4B1:0 bits that determine the effect of the forced compare. A FOC4B strobe will not generate any interrupt nor will it clear the timer in Clear Timer on Compare Match (CTC) mode using OCR4B as TOP. The FOC4B bits are always read as zero.

- **Bit 5 – FOC4C - Force Output Compare for Channel C**

The FOC4C bit is only active when the WGM43:0 bits specify a non-PWM mode. When writing a logical one to the FOC4C bit, an immediate compare match is forced. Due to the limited functionality of the Timer/Counter4 the match has no direct impact on any output pin. Note that the FOC4C bits are implemented as strobes. Therefore it is the value present in the COM4C1:0 bits that determine the effect of the forced compare. A FOC4C strobe will not generate any interrupt nor will it clear the timer in Clear Timer on Compare Match (CTC) mode using OCR4C as TOP. The FOC4C bits are always read as zero.

- **Bit 4:0 – Res4:0 - Reserved**

These bits are reserved for future use.

## 18.11.34 TCNT4H – Timer/Counter4 High Byte

| Bit           | 7                | 6  | 5  | 4  | 3  | 2  | 1  | 0  |               |
|---------------|------------------|----|----|----|----|----|----|----|---------------|
| NA (\$A5)     | <b>TCNT4H7:0</b> |    |    |    |    |    |    |    | <b>TCNT4H</b> |
| Read/Write    | RW               | RW | RW | RW | RW | RW | RW | RW |               |
| Initial Value | 0                | 0  | 0  | 0  | 0  | 0  | 0  | 0  |               |

The two Timer/Counter I/O locations (TCNT4H and TCNT4L, combined TCNT4) give direct access, both for read and for write operations, to the Timer/Counter unit 16-bit counter. To ensure that both the high and low bytes are read and written simultaneously when the CPU accesses these registers, the access is performed using an 8-bit temporary High Byte Register (TEMP). This temporary register is shared by all the other 16-bit registers. See section "Accessing 16-bit Registers" for details. Modifying the counter (TCNT4) while the counter is running introduces a risk of missing a compare match between TCNT4 and one of the OCR4x Registers. Writing to the TCNT4 Register blocks (removes) the compare match on the following timer clock for all compare units.

- **Bit 7:0 – TCNT4H7:0 - Timer/Counter4 High Byte**

## 18.11.35 TCNT4L – Timer/Counter4 Low Byte

| Bit           | 7                | 6  | 5  | 4  | 3  | 2  | 1  | 0  |               |
|---------------|------------------|----|----|----|----|----|----|----|---------------|
| NA (\$A4)     | <b>TCNT4L7:0</b> |    |    |    |    |    |    |    | <b>TCNT4L</b> |
| Read/Write    | RW               | RW | RW | RW | RW | RW | RW | RW |               |
| Initial Value | 0                | 0  | 0  | 0  | 0  | 0  | 0  | 0  |               |

The two Timer/Counter I/O locations (TCNT4H and TCNT4L, combined TCNT4) give direct access, both for read and for write operations, to the Timer/Counter unit 16-bit counter. To ensure that both the high and low bytes are read and written simultaneously when the CPU accesses these registers, the access is performed using an 8-bit temporary High Byte Register (TEMP). This temporary register is shared by all the other 16-bit registers. See section "Accessing 16-bit Registers" for details. Modifying the counter (TCNT4) while the counter is running introduces a risk of missing a compare match between TCNT4 and one of the OCR4x Registers. Writing to the TCNT4 Register blocks (removes) the compare match on the following timer clock for all compare units.

- **Bit 7:0 – TCNT4L7:0 - Timer/Counter4 Low Byte**

### 18.11.36 OCR4AH – Timer/Counter4 Output Compare Register A High Byte

|               |                  |    |    |    |    |    |    |    |               |
|---------------|------------------|----|----|----|----|----|----|----|---------------|
| Bit           | 7                | 6  | 5  | 4  | 3  | 2  | 1  | 0  |               |
| NA (\$A9)     | <b>OCR4AH7:0</b> |    |    |    |    |    |    |    | <b>OCR4AH</b> |
| Read/Write    | RW               | RW | RW | RW | RW | RW | RW | RW |               |
| Initial Value | 0                | 0  | 0  | 0  | 0  | 0  | 0  | 0  |               |

The Output Compare Registers contain a 16-bit value that is continuously compared with the counter value (TCNT4). A match can be used to generate an Output Compare interrupt. The Output Compare Registers are 16-bit in size. To ensure that both the high and low bytes are written simultaneously when the CPU writes to these registers, the access is performed using an 8-bit temporary High Byte Register (TEMP). This temporary register is shared by all the other 16-bit registers. See section "Accessing 16-bit Registers" for details.

- **Bit 7:0 – OCR4AH7:0 - Timer/Counter4 Output Compare Register High Byte**

### 18.11.37 OCR4AL – Timer/Counter4 Output Compare Register A Low Byte

|               |                  |    |    |    |    |    |    |    |               |
|---------------|------------------|----|----|----|----|----|----|----|---------------|
| Bit           | 7                | 6  | 5  | 4  | 3  | 2  | 1  | 0  |               |
| NA (\$A8)     | <b>OCR4AL7:0</b> |    |    |    |    |    |    |    | <b>OCR4AL</b> |
| Read/Write    | RW               | RW | RW | RW | RW | RW | RW | RW |               |
| Initial Value | 0                | 0  | 0  | 0  | 0  | 0  | 0  | 0  |               |

The Output Compare Registers contain a 16-bit value that is continuously compared with the counter value (TCNT4). A match can be used to generate an Output Compare interrupt. The Output Compare Registers are 16-bit in size. To ensure that both the high and low bytes are written simultaneously when the CPU writes to these registers, the access is performed using an 8-bit temporary High Byte Register (TEMP). This temporary register is shared by all the other 16-bit registers. See section "Accessing 16-bit Registers" for details.

- **Bit 7:0 – OCR4AL7:0 - Timer/Counter4 Output Compare Register Low Byte**



## 18.11.38 OCR4BH – Timer/Counter4 Output Compare Register B High Byte

|               |                  |    |    |    |    |    |    |    |               |
|---------------|------------------|----|----|----|----|----|----|----|---------------|
| Bit           | 7                | 6  | 5  | 4  | 3  | 2  | 1  | 0  |               |
| NA (\$AB)     | <b>OCR4BH7:0</b> |    |    |    |    |    |    |    | <b>OCR4BH</b> |
| Read/Write    | RW               | RW | RW | RW | RW | RW | RW | RW |               |
| Initial Value | 0                | 0  | 0  | 0  | 0  | 0  | 0  | 0  |               |

The Output Compare Registers contain a 16-bit value that is continuously compared with the counter value (TCNT4). A match can be used to generate an Output Compare interrupt. The Output Compare Registers are 16-bit in size. To ensure that both the high and low bytes are written simultaneously when the CPU writes to these registers, the access is performed using an 8-bit temporary High Byte Register (TEMP). This temporary register is shared by all the other 16-bit registers. See section "Accessing 16-bit Registers" for details.

- **Bit 7:0 – OCR4BH7:0 - Timer/Counter4 Output Compare Register High Byte**

## 18.11.39 OCR4BL – Timer/Counter4 Output Compare Register B Low Byte

|               |                  |    |    |    |    |    |    |    |               |
|---------------|------------------|----|----|----|----|----|----|----|---------------|
| Bit           | 7                | 6  | 5  | 4  | 3  | 2  | 1  | 0  |               |
| NA (\$AA)     | <b>OCR4BL7:0</b> |    |    |    |    |    |    |    | <b>OCR4BL</b> |
| Read/Write    | R                | RW | RW | RW | RW | RW | RW | RW |               |
| Initial Value | 0                | 0  | 0  | 0  | 0  | 0  | 0  | 0  |               |

The Output Compare Registers contain a 16-bit value that is continuously compared with the counter value (TCNT4). A match can be used to generate an Output Compare interrupt. The Output Compare Registers are 16-bit in size. To ensure that both the high and low bytes are written simultaneously when the CPU writes to these registers, the access is performed using an 8-bit temporary High Byte Register (TEMP). This temporary register is shared by all the other 16-bit registers. See section "Accessing 16-bit Registers" for details.

- **Bit 7:0 – OCR4BL7:0 - Timer/Counter4 Output Compare Register Low Byte**

## 18.11.40 OCR4CH – Timer/Counter4 Output Compare Register C High Byte

|               |                  |    |    |    |    |    |    |    |               |
|---------------|------------------|----|----|----|----|----|----|----|---------------|
| Bit           | 7                | 6  | 5  | 4  | 3  | 2  | 1  | 0  |               |
| NA (\$AD)     | <b>OCR4CH7:0</b> |    |    |    |    |    |    |    | <b>OCR4CH</b> |
| Read/Write    | RW               | RW | RW | RW | RW | RW | RW | RW |               |
| Initial Value | 0                | 0  | 0  | 0  | 0  | 0  | 0  | 0  |               |

The Output Compare Registers contain a 16-bit value that is continuously compared with the counter value (TCNT4). A match can be used to generate an Output Compare interrupt. The Output Compare Registers are 16-bit in size. To ensure that both the high and low bytes are written simultaneously when the CPU writes to these registers, the access is performed using an 8-bit temporary High Byte Register (TEMP). This temporary register is shared by all the other 16-bit registers. See section "Accessing 16-bit Registers" for details.

- **Bit 7:0 – OCR4CH7:0 - Timer/Counter4 Output Compare Register High Byte**

### 18.11.41 OCR4CL – Timer/Counter4 Output Compare Register C Low Byte

|               |           |    |    |    |    |    |    |    |        |
|---------------|-----------|----|----|----|----|----|----|----|--------|
| Bit           | 7         | 6  | 5  | 4  | 3  | 2  | 1  | 0  |        |
| NA (\$AC)     | OCR4CL7:0 |    |    |    |    |    |    |    | OCR4CL |
| Read/Write    | R         | RW | RW | RW | RW | RW | RW | RW |        |
| Initial Value | 0         | 0  | 0  | 0  | 0  | 0  | 0  | 0  |        |

The Output Compare Registers contain a 16-bit value that is continuously compared with the counter value (TCNT4). A match can be used to generate an Output Compare interrupt. The Output Compare Registers are 16-bit in size. To ensure that both the high and low bytes are written simultaneously when the CPU writes to these registers, the access is performed using an 8-bit temporary High Byte Register (TEMP). This temporary register is shared by all the other 16-bit registers. See section "Accessing 16-bit Registers" for details.

- **Bit 7:0 – OCR4CL7:0 - Timer/Counter4 Output Compare Register Low Byte**

### 18.11.42 ICR4H – Timer/Counter4 Input Capture Register High Byte

|               |          |   |   |   |   |   |   |   |       |
|---------------|----------|---|---|---|---|---|---|---|-------|
| Bit           | 7        | 6 | 5 | 4 | 3 | 2 | 1 | 0 |       |
| NA (\$A7)     | ICR4H7:0 |   |   |   |   |   |   |   | ICR4H |
| Read/Write    | R        | R | R | R | R | R | R | R |       |
| Initial Value | 0        | 0 | 0 | 0 | 0 | 0 | 0 | 0 |       |

The Timer/Counter4 has only limited functionality. It is not connected to any I/O pin. Therefore the contents of this register is never updated with the counter (TCNT4) value. The Input Capture Register is 16-bit in size. To ensure that both the high and low bytes are read simultaneously when the CPU accesses these registers, the access is performed using an 8-bit temporary High Byte Register (TEMP). This temporary register is shared by all the other 16-bit registers. See section "Accessing 16-bit Registers" for details.

- **Bit 7:0 – ICR4H7:0 - Timer/Counter4 Input Capture Register High Byte**

### 18.11.43 ICR4L – Timer/Counter4 Input Capture Register Low Byte

|               |          |   |   |   |   |   |   |   |       |
|---------------|----------|---|---|---|---|---|---|---|-------|
| Bit           | 7        | 6 | 5 | 4 | 3 | 2 | 1 | 0 |       |
| NA (\$A6)     | ICR4L7:0 |   |   |   |   |   |   |   | ICR4L |
| Read/Write    | R        | R | R | R | R | R | R | R |       |
| Initial Value | 0        | 0 | 0 | 0 | 0 | 0 | 0 | 0 |       |

The Timer/Counter4 has only limited functionality. It is not connected to any I/O pin. Therefore the contents of this register is never updated with the counter (TCNT4) value. The Input Capture Register is 16-bit in size. To ensure that both the high and low bytes are read simultaneously when the CPU accesses these registers, the access is performed using an 8-bit temporary High Byte Register (TEMP). This temporary register is shared by all the other 16-bit registers. See section "Accessing 16-bit Registers" for details.

- **Bit 7:0 – ICR4L7:0 - Timer/Counter4 Input Capture Register Low Byte**

## 18.11.44 TIMSK4 – Timer/Counter4 Interrupt Mask Register

| Bit           | 7           | 6           | 5            | 4          | 3             | 2             | 1             | 0            |        |
|---------------|-------------|-------------|--------------|------------|---------------|---------------|---------------|--------------|--------|
| NA (\$72)     | <b>Res1</b> | <b>Res0</b> | <b>ICIE4</b> | <b>Res</b> | <b>OCIE4C</b> | <b>OCIE4B</b> | <b>OCIE4A</b> | <b>TOIE4</b> | TIMSK4 |
| Read/Write    | R           | R           | RW           | R          | R             | R             | RW            | RW           |        |
| Initial Value | 0           | 0           | 0            | 0          | 0             | 0             | 0             | 0            |        |

- **Bit 7:6 – Res1:0 - Reserved Bit**

This bit is reserved for future use. A read access always will return zero. A write access does not modify the content.

- **Bit 5 – ICIE4 - Timer/Counter4 Input Capture Interrupt Enable**

The Timer/Counter4 has only limited functionality. It does not have an Input Capture pin. Therefore this bit has no useful meaning.

- **Bit 4 – Res - Reserved Bit**

This bit is reserved for future use. A read access always will return zero. A write access does not modify the content.

- **Bit 3 – OCIE4C - Timer/Counter4 Output Compare C Match Interrupt Enable**

When this bit is written to one, and the I-flag in the Status Register is set (interrupts globally enabled), the Timer/Counter4 Output Compare C Match interrupt is enabled. The corresponding Interrupt Vector is executed when the OCF4C Flag, located in TIFR4, is set.

- **Bit 2 – OCIE4B - Timer/Counter4 Output Compare B Match Interrupt Enable**

When this bit is written to one, and the I-flag in the Status Register is set (interrupts globally enabled), the Timer/Counter4 Output Compare B Match interrupt is enabled. The corresponding Interrupt Vector is executed when the OCF4B Flag, located in TIFR4, is set.

- **Bit 1 – OCIE4A - Timer/Counter4 Output Compare A Match Interrupt Enable**

When this bit is written to one, and the I-flag in the Status Register is set (interrupts globally enabled), the Timer/Counter4 Output Compare A Match interrupt is enabled. The corresponding Interrupt Vector is executed when the OCF4A Flag, located in TIFR4, is set.

- **Bit 0 – TOIE4 - Timer/Counter4 Overflow Interrupt Enable**

When this bit is written to one, and the I-flag in the Status Register is set (interrupts globally enabled), the Timer/Counter4 Overflow interrupt is enabled. The corresponding Interrupt Vector is executed when the TOV4 Flag, located in TIFR4, is set.

## 18.11.45 TIFR4 – Timer/Counter4 Interrupt Flag Register

| Bit           | 7           | 6           | 5           | 4          | 3            | 2            | 1            | 0           |       |
|---------------|-------------|-------------|-------------|------------|--------------|--------------|--------------|-------------|-------|
| \$19 (\$39)   | <b>Res1</b> | <b>Res0</b> | <b>ICF4</b> | <b>Res</b> | <b>OCF4C</b> | <b>OCF4B</b> | <b>OCF4A</b> | <b>TOV4</b> | TIFR4 |
| Read/Write    | R           | R           | RW          | R          | RW           | RW           | RW           | RW          |       |
| Initial Value | 0           | 0           | 0           | 0          | 0            | 0            | 0            | 0           |       |

- **Bit 7:6 – Res1:0 - Reserved Bit**

This bit is reserved for future use. A read access always will return zero. A write access does not modify the content.

- **Bit 5 – ICF4 - Timer/Counter4 Input Capture Flag**

The Timer/Counter4 has only limited functionality. It does not have an Input Capture pin. Therefore this bit has no useful meaning.

- **Bit 4 – Res - Reserved Bit**

This bit is reserved for future use. A read access always will return zero. A write access does not modify the content.

- **Bit 3 – OCF4C - Timer/Counter4 Output Compare C Match Flag**

This flag is set in the timer clock cycle after the counter (TCNT4) value matches the Output Compare Register C (OCR4C). Note that a Forced Output Compare (FOC4C) strobe will not set the OCF4C Flag. OCF4C is automatically cleared when the Output Compare Match C Interrupt Vector is executed. Alternatively, OCF4C can be cleared by writing a logic one to its bit location.

- **Bit 2 – OCF4B - Timer/Counter4 Output Compare B Match Flag**

This flag is set in the timer clock cycle after the counter (TCNT4) value matches the Output Compare Register B (OCR4B). Note that a Forced Output Compare (FOC4B) strobe will not set the OCF4B Flag. OCF4B is automatically cleared when the Output Compare Match B Interrupt Vector is executed. Alternatively, OCF4B can be cleared by writing a logic one to its bit location.

- **Bit 1 – OCF4A - Timer/Counter4 Output Compare A Match Flag**

This flag is set in the timer clock cycle after the counter (TCNT4) value matches the Output Compare Register A (OCR4A). Note that a Forced Output Compare (FOC4A) strobe will not set the OCF4A Flag. OCF4A is automatically cleared when the Output Compare Match A Interrupt Vector is executed. Alternatively, OCF4A can be cleared by writing a logic one to its bit location.

- **Bit 0 – TOV4 - Timer/Counter4 Overflow Flag**

The setting of this flag is dependent of the WGM43:0 bits setting of the Timer/Counter4 Control Register. In Normal and CTC modes, the TOV4 Flag is set when the timer overflows. TOV4 is automatically cleared when the Timer/Counter4 Overflow Interrupt Vector is executed. Alternatively, TOV4 can be cleared by writing a logic one to its bit location.

## 18.11.46 TCCR5A – Timer/Counter5 Control Register A

|               |        |        |        |        |        |        |       |       |        |
|---------------|--------|--------|--------|--------|--------|--------|-------|-------|--------|
| Bit           | 7      | 6      | 5      | 4      | 3      | 2      | 1     | 0     |        |
| NA (\$120)    | COM5A1 | COM5A0 | COM5B1 | COM5B0 | COM5C1 | COM5C0 | WGM51 | WGM50 | TCCR5A |
| Read/Write    | RW     | RW     | RW     | RW     | RW     | RW     | RW    | RW    |        |
| Initial Value | 0      | 0      | 0      | 0      | 0      | 0      | 0     | 0     |        |

- **Bit 7:6 – COM5A1:0 - Compare Output Mode for Channel A**

The Timer/Counter5 has only limited functionality. Therefore the COM5A1:0 bits do not control the output compare behavior of any pin. The following table shows the COM5A1:0 bit functionality when the WGM53:0 bits are set to a normal or a CTC mode (non-PWM). For the other functionality refer to section "Modes of Operation".

**Table 18-24** COM5A Register Bits

| Register Bits | Value | Description      |
|---------------|-------|------------------|
| COM5A1:0      | 0     | Normal operation |

| Register Bits | Value | Description |
|---------------|-------|-------------|
|               | 1     | Reserved    |
|               | 2     | Reserved    |
|               | 3     | Reserved    |

- **Bit 5:4 – COM5B1:0 - Compare Output Mode for Channel B**

The Timer/Counter5 has only limited functionality. Therefore the COM5B1:0 bits do not control the output compare behavior of any pin. The following table shows the COM5B1:0 bit functionality when the WGM53:0 bits are set to a normal or a CTC mode (non-PWM). For the other functionality refer to section "Modes of Operation".

**Table 18-25** COM5B Register Bits

| Register Bits | Value | Description      |
|---------------|-------|------------------|
| COM5B1:0      | 0     | Normal operation |
|               | 1     | Reserved         |
|               | 2     | Reserved         |
|               | 3     | Reserved         |

- **Bit 3:2 – COM5C1:0 - Compare Output Mode for Channel C**

The Timer/Counter5 has only limited functionality. Therefore the COM5C1:0 bits do not control the output compare behavior of any pin. The following table shows the COM5C1:0 bit functionality when the WGM53:0 bits are set to a normal or a CTC mode (non-PWM). For the other functionality refer to section "Modes of Operation".

**Table 18-26** COM5C Register Bits

| Register Bits | Value | Description      |
|---------------|-------|------------------|
| COM5C1:0      | 0     | Normal operation |
|               | 1     | Reserved         |
|               | 2     | Reserved         |
|               | 3     | Reserved         |

- **Bit 1:0 – WGM51:50 - Waveform Generation Mode**

Combined with the WGM53:52 bits, found in the TCCR5B Register, these bits control the counting sequence of the counter, the source for maximum (TOP) counter value and what type of waveform generation to be used. Modes of operation supported by the Timer/Counter unit are: Normal mode (counter), Clear Timer on Compare match (CTC) mode, and three types of Pulse Width Modulation (PWM) modes. For more information on the different modes see section "Modes of Operation". Note that Timer/Counter5 has only limited functionality. It cannot be connected to any I/O pin.

**Table 18-27** WGM5 Register Bits

| Register Bits | Value | Description                |
|---------------|-------|----------------------------|
| WGM53:50      | 0x0   | Normal mode of operation   |
|               | 0x1   | PWM, phase correct, 8-bit  |
|               | 0x2   | PWM, phase correct, 9-bit  |
|               | 0x3   | PWM, phase correct, 10-bit |
|               | 0x4   | CTC, TOP = OCRnA           |
|               | 0x5   | Fast PWM, 8-bit            |
|               | 0x6   | Fast PWM, 9-bit            |
|               | 0x7   | Fast PWM, 10-bit           |

| Register Bits | Value | Description                                   |
|---------------|-------|---|
|               | 0x8   | PWM, Phase and frequency correct, TOP = ICRn  |
|               | 0x9   | PWM, Phase and frequency correct, TOP = OCRnA |
|               | 0xA   | PWM, Phase correct, TOP = ICRn                |
|               | 0xB   | PWM, Phase correct, TOP = OCRnA               |
|               | 0xC   | CTC, TOP = OCRnA                              |
|               | 0xD   | Reserved                                      |
|               | 0xE   | Fast PWM, TOP = ICRn                          |
|               | 0xF   | Fast PWM, TOP = OCRnA                         |

### 18.11.47 TCCR5B – Timer/Counter5 Control Register B

| Bit           | 7            | 6            | 5          | 4            | 3            | 2           | 1           | 0           |        |
|---------------|--------------|--------------|------------|--------------|--------------|-------------|-------------|-------------|--------|
| NA (\$121)    | <b>ICNC5</b> | <b>ICES5</b> | <b>Res</b> | <b>WGM53</b> | <b>WGM52</b> | <b>CS52</b> | <b>CS51</b> | <b>CS50</b> | TCCR5B |
| Read/Write    | RW           | RW           | R          | RW           | RW           | RW          | RW          | RW          |        |
| Initial Value | 0            | 0            | 0          | 0            | 0            | 0           | 0           | 0           |        |

- **Bit 7 – ICNC5 - Input Capture 5 Noise Canceller**

Timer/Counter5 has only limited functionality. It is not connected to any Input Capture Pin. Therefore this bit has no meaningful function.

- **Bit 6 – ICES5 - Input Capture 5 Edge Select**

Timer/Counter5 has only limited functionality. It is not connected to any Input Capture Pin. Therefore this bit has no meaningful function.

- **Bit 5 – Res - Reserved Bit**

This bit is reserved for future use. A read access always will return zero. A write access does not modify the content.

- **Bit 4:3 – WGM53:52 - Waveform Generation Mode**

Combined with the WGM51:50 bits, found in the TCCR5A Register, these bits control the counting sequence of the counter, the source for maximum (TOP) counter value and what type of waveform generation to be used. Modes of operation supported by the Timer/Counter unit are: Normal mode (counter), Clear Timer on Compare match (CTC) mode, and three types of Pulse Width Modulation (PWM) modes. For more information on the different modes see section "Modes of Operation". Note that Timer/Counter5 has only limited functionality. It cannot be connected to any I/O pin.

**Table 18-28 WGM5 Register Bits**

| Register Bits | Value | Description                |
|---------------|-------|----------------------------|
| WGM53:50      | 0x0   | Normal mode of operation   |
|               | 0x1   | PWM, phase correct, 8-bit  |
|               | 0x2   | PWM, phase correct, 9-bit  |
|               | 0x3   | PWM, phase correct, 10-bit |
|               | 0x4   | CTC, TOP = OCRnA           |
|               | 0x5   | Fast PWM, 8-bit            |
|               | 0x6   | Fast PWM, 9-bit            |

| Register Bits | Value | Description                                   |
|---------------|-------|---|
|               | 0x7   | Fast PWM, 10-bit                              |
|               | 0x8   | PWM, Phase and frequency correct, TOP = ICRn  |
|               | 0x9   | PWM, Phase and frequency correct, TOP = OCRnA |
|               | 0xA   | PWM, Phase correct, TOP = ICRn                |
|               | 0xB   | PWM, Phase correct, TOP = OCRnA               |
|               | 0xC   | CTC, TOP = OCRnA                              |
|               | 0xD   | Reserved                                      |
|               | 0xE   | Fast PWM, TOP = ICRn                          |
|               | 0xF   | Fast PWM, TOP = OCRnA                         |

- **Bit 2:0 – CS52:50 - Clock Select**

The three clock select bits select the clock source to be used by the Timer/Counter5 according to the following table. External pin modes cannot be used for the Timer/Counter5.

**Table 18-29** CS5 Register Bits

| Register Bits | Value | Description                             |
|---------------|-------|---|
| CS52:50       | 0x00  | No clock source (Timer/Counter stopped) |
|               | 0x01  | clkIO/1 (no prescaling)                 |
|               | 0x02  | clkIO/8 (from prescaler)                |
|               | 0x03  | clkIO/64 (from prescaler)               |
|               | 0x04  | clkIO/256 (from prescaler)              |
|               | 0x05  | clkIO/1024 (from prescaler)             |
|               | 0x06  | Reserved                                |
|               | 0x07  | Reserved                                |

## 18.11.48 TCCR5C – Timer/Counter5 Control Register C

| Bit           | 7            | 6            | 5            | 4           | 3           | 2           | 1           | 0           |        |
|---------------|--------------|--------------|--------------|-------------|-------------|-------------|-------------|-------------|--------|
| NA (\$122)    | <b>FOC5A</b> | <b>FOC5B</b> | <b>FOC5C</b> | <b>Res4</b> | <b>Res3</b> | <b>Res2</b> | <b>Res1</b> | <b>Res0</b> | TCCR5C |
| Read/Write    | RW           | RW           | RW           | R           | R           | R           | R           | R           |        |
| Initial Value | 0            | 0            | 0            | 0           | 0           | 0           | 0           | 0           |        |

- **Bit 7 – FOC5A - Force Output Compare for Channel A**

The FOC5A bit is only active when the WGM53:0 bits specify a non-PWM mode. When writing a logical one to the FOC5A bit, an immediate compare match is forced. Due to the limited functionality of the Timer/Counter5 the match has no direct impact on any output pin. Note that the FOC5A bits are implemented as strobes. Therefore it is the value present in the COM5A1:0 bits that determine the effect of the forced compare. A FOC5A strobe will not generate any interrupt nor will it clear the timer in Clear Timer on Compare Match (CTC) mode using OCR5A as TOP. The FOC5A bits are always read as zero.

- **Bit 6 – FOC5B - Force Output Compare for Channel B**

The FOC5B bit is only active when the WGM53:0 bits specify a non-PWM mode. When writing a logical one to the FOC5B bit, an immediate compare match is forced. Due to the limited functionality of the Timer/Counter5 the match has no direct impact on any output pin. Note that the FOC5B bits are implemented as strobes. Therefore it is the value present in the COM5B1:0 bits that determine the effect of the forced compare. A FOC5B strobe will not generate any interrupt nor will it clear the timer in Clear Timer on Compare Match (CTC) mode using OCR5B as TOP. The FOC5B bits are always read as zero.

- **Bit 5 – FOC5C - Force Output Compare for Channel C**

The FOC5C bit is only active when the WGM53:0 bits specify a non-PWM mode. When writing a logical one to the FOC5C bit, an immediate compare match is forced. Due to the limited functionality of the Timer/Counter5 the match has no direct impact on any output pin. Note that the FOC5C bits are implemented as strobes. Therefore it is the value present in the COM5C1:0 bits that determine the effect of the forced compare. A FOC5C strobe will not generate any interrupt nor will it clear the timer in Clear Timer on Compare Match (CTC) mode using OCR5C as TOP. The FOC5C bits are always read as zero.

- **Bit 4:0 – Res4:0 - Reserved**

These bits are reserved for future use.

### 18.11.49 TCNT5H – Timer/Counter5 High Byte

|               |                  |    |    |    |    |    |    |    |               |
|---------------|------------------|----|----|----|----|----|----|----|---------------|
| Bit           | 7                | 6  | 5  | 4  | 3  | 2  | 1  | 0  |               |
| NA (\$125)    | <b>TCNT5H7:0</b> |    |    |    |    |    |    |    | <b>TCNT5H</b> |
| Read/Write    | RW               | RW | RW | RW | RW | RW | RW | RW |               |
| Initial Value | 0                | 0  | 0  | 0  | 0  | 0  | 0  | 0  |               |

The two Timer/Counter I/O locations (TCNT5H and TCNT5L, combined TCNT5) give direct access, both for read and for write operations, to the Timer/Counter unit 16-bit counter. To ensure that both the high and low bytes are read and written simultaneously when the CPU accesses these registers, the access is performed using an 8-bit temporary High Byte Register (TEMP). This temporary register is shared by all the other 16-bit registers. See section "Accessing 16-bit Registers" for details. Modifying the counter (TCNT5) while the counter is running introduces a risk of missing a compare match between TCNT5 and one of the OCR5x Registers. Writing to the TCNT5 Register blocks (removes) the compare match on the following timer clock for all compare units.

- **Bit 7:0 – TCNT5H7:0 - Timer/Counter5 High Byte**

### 18.11.50 TCNT5L – Timer/Counter5 Low Byte

|               |                  |    |    |    |    |    |    |    |               |
|---------------|------------------|----|----|----|----|----|----|----|---------------|
| Bit           | 7                | 6  | 5  | 4  | 3  | 2  | 1  | 0  |               |
| NA (\$124)    | <b>TCNT5L7:0</b> |    |    |    |    |    |    |    | <b>TCNT5L</b> |
| Read/Write    | RW               | RW | RW | RW | RW | RW | RW | RW |               |
| Initial Value | 0                | 0  | 0  | 0  | 0  | 0  | 0  | 0  |               |

The two Timer/Counter I/O locations (TCNT5H and TCNT5L, combined TCNT5) give direct access, both for read and for write operations, to the Timer/Counter unit 16-bit



counter. To ensure that both the high and low bytes are read and written simultaneously when the CPU accesses these registers, the access is performed using an 8-bit temporary High Byte Register (TEMP). This temporary register is shared by all the other 16-bit registers. See section "Accessing 16-bit Registers" for details. Modifying the counter (TCNT5) while the counter is running introduces a risk of missing a compare match between TCNT5 and one of the OCR5x Registers. Writing to the TCNT5 Register blocks (removes) the compare match on the following timer clock for all compare units.

- **Bit 7:0 – TCNT5L7:0 - Timer/Counter5 Low Byte**

## 18.11.51 OCR5AH – Timer/Counter5 Output Compare Register A High Byte

| Bit           | 7                | 6  | 5  | 4  | 3  | 2  | 1  | 0  |               |
|---------------|------------------|----|----|----|----|----|----|----|---------------|
| NA (\$129)    | <b>OCR5AH7:0</b> |    |    |    |    |    |    |    | <b>OCR5AH</b> |
| Read/Write    | RW               | RW | RW | RW | RW | RW | RW | RW |               |
| Initial Value | 0                | 0  | 0  | 0  | 0  | 0  | 0  | 0  |               |

The Output Compare Registers contain a 16-bit value that is continuously compared with the counter value (TCNT5). A match can be used to generate an Output Compare interrupt. The Output Compare Registers are 16-bit in size. To ensure that both the high and low bytes are written simultaneously when the CPU writes to these registers, the access is performed using an 8-bit temporary High Byte Register (TEMP). This temporary register is shared by all the other 16-bit registers. See section "Accessing 16-bit Registers" for details.

- **Bit 7:0 – OCR5AH7:0 - Timer/Counter5 Output Compare Register High Byte**

## 18.11.52 OCR5AL – Timer/Counter5 Output Compare Register A Low Byte

| Bit           | 7                | 6  | 5  | 4  | 3  | 2  | 1  | 0  |               |
|---------------|------------------|----|----|----|----|----|----|----|---------------|
| NA (\$128)    | <b>OCR5AL7:0</b> |    |    |    |    |    |    |    | <b>OCR5AL</b> |
| Read/Write    | RW               | RW | RW | RW | RW | RW | RW | RW |               |
| Initial Value | 0                | 0  | 0  | 0  | 0  | 0  | 0  | 0  |               |

The Output Compare Registers contain a 16-bit value that is continuously compared with the counter value (TCNT5). A match can be used to generate an Output Compare interrupt. The Output Compare Registers are 16-bit in size. To ensure that both the high and low bytes are written simultaneously when the CPU writes to these registers, the access is performed using an 8-bit temporary High Byte Register (TEMP). This temporary register is shared by all the other 16-bit registers. See section "Accessing 16-bit Registers" for details.

- **Bit 7:0 – OCR5AL7:0 - Timer/Counter5 Output Compare Register Low Byte**

## 18.11.53 OCR5BH – Timer/Counter5 Output Compare Register B High Byte

| Bit           | 7                | 6  | 5  | 4  | 3  | 2  | 1  | 0  |               |
|---------------|------------------|----|----|----|----|----|----|----|---------------|
| NA (\$12B)    | <b>OCR5BH7:0</b> |    |    |    |    |    |    |    | <b>OCR5BH</b> |
| Read/Write    | RW               | RW | RW | RW | RW | RW | RW | RW |               |
| Initial Value | 0                | 0  | 0  | 0  | 0  | 0  | 0  | 0  |               |

The Output Compare Registers contain a 16-bit value that is continuously compared with the counter value (TCNT5). A match can be used to generate an Output Compare interrupt. The Output Compare Registers are 16-bit in size. To ensure that both the high and low bytes are written simultaneously when the CPU writes to these registers, the access is performed using an 8-bit temporary High Byte Register (TEMP). This temporary register is shared by all the other 16-bit registers. See section "Accessing 16-bit Registers" for details.

- **Bit 7:0 – OCR5BH7:0 - Timer/Counter5 Output Compare Register High Byte**

### 18.11.54 OCR5BL – Timer/Counter5 Output Compare Register B Low Byte

| Bit           | 7                | 6  | 5  | 4  | 3  | 2  | 1  | 0  |               |
|---------------|------------------|----|----|----|----|----|----|----|---------------|
| NA (\$12A)    | <b>OCR5BL7:0</b> |    |    |    |    |    |    |    | <b>OCR5BL</b> |
| Read/Write    | R                | RW | RW | RW | RW | RW | RW | RW |               |
| Initial Value | 0                | 0  | 0  | 0  | 0  | 0  | 0  | 0  |               |

The Output Compare Registers contain a 16-bit value that is continuously compared with the counter value (TCNT5). A match can be used to generate an Output Compare interrupt. The Output Compare Registers are 16-bit in size. To ensure that both the high and low bytes are written simultaneously when the CPU writes to these registers, the access is performed using an 8-bit temporary High Byte Register (TEMP). This temporary register is shared by all the other 16-bit registers. See section "Accessing 16-bit Registers" for details.

- **Bit 7:0 – OCR5BL7:0 - Timer/Counter5 Output Compare Register Low Byte**

### 18.11.55 OCR5CH – Timer/Counter5 Output Compare Register C High Byte

| Bit           | 7                | 6  | 5  | 4  | 3  | 2  | 1  | 0  |               |
|---------------|------------------|----|----|----|----|----|----|----|---------------|
| NA (\$12D)    | <b>OCR5CH7:0</b> |    |    |    |    |    |    |    | <b>OCR5CH</b> |
| Read/Write    | RW               | RW | RW | RW | RW | RW | RW | RW |               |
| Initial Value | 0                | 0  | 0  | 0  | 0  | 0  | 0  | 0  |               |

The Output Compare Registers contain a 16-bit value that is continuously compared with the counter value (TCNT5). A match can be used to generate an Output Compare interrupt. The Output Compare Registers are 16-bit in size. To ensure that both the high and low bytes are written simultaneously when the CPU writes to these registers, the access is performed using an 8-bit temporary High Byte Register (TEMP). This temporary register is shared by all the other 16-bit registers. See section "Accessing 16-bit Registers" for details.

- **Bit 7:0 – OCR5CH7:0 - Timer/Counter5 Output Compare Register High Byte**

## 18.11.56 OCR5CL – Timer/Counter5 Output Compare Register C Low Byte

|               |                  |    |    |    |    |    |    |    |               |
|---------------|------------------|----|----|----|----|----|----|----|---------------|
| Bit           | 7                | 6  | 5  | 4  | 3  | 2  | 1  | 0  |               |
| NA (\$12C)    | <b>OCR5CL7:0</b> |    |    |    |    |    |    |    | <b>OCR5CL</b> |
| Read/Write    | R                | RW | RW | RW | RW | RW | RW | RW |               |
| Initial Value | 0                | 0  | 0  | 0  | 0  | 0  | 0  | 0  |               |

The Output Compare Registers contain a 16-bit value that is continuously compared with the counter value (TCNT5). A match can be used to generate an Output Compare interrupt. The Output Compare Registers are 16-bit in size. To ensure that both the high and low bytes are written simultaneously when the CPU writes to these registers, the access is performed using an 8-bit temporary High Byte Register (TEMP). This temporary register is shared by all the other 16-bit registers. See section "Accessing 16-bit Registers" for details.

- **Bit 7:0 – OCR5CL7:0 - Timer/Counter5 Output Compare Register Low Byte**

## 18.11.57 ICR5H – Timer/Counter5 Input Capture Register High Byte

|               |                 |   |   |   |   |   |   |   |              |
|---------------|-----------------|---|---|---|---|---|---|---|--------------|
| Bit           | 7               | 6 | 5 | 4 | 3 | 2 | 1 | 0 |              |
| NA (\$127)    | <b>ICR5H7:0</b> |   |   |   |   |   |   |   | <b>ICR5H</b> |
| Read/Write    | R               | R | R | R | R | R | R | R |              |
| Initial Value | 0               | 0 | 0 | 0 | 0 | 0 | 0 | 0 |              |

The Timer/Counter5 has only limited functionality. It is not connected to any I/O pin. Therefore the contents of this register is never updated with the counter (TCNT5) value. The Input Capture Register is 16-bit in size. To ensure that both the high and low bytes are read simultaneously when the CPU accesses these registers, the access is performed using an 8-bit temporary High Byte Register (TEMP). This temporary register is shared by all the other 16-bit registers. See section "Accessing 16-bit Registers" for details.

- **Bit 7:0 – ICR5H7:0 - Timer/Counter5 Input Capture Register High Byte**

## 18.11.58 ICR5L – Timer/Counter5 Input Capture Register Low Byte

|               |                 |   |   |   |   |   |   |   |              |
|---------------|-----------------|---|---|---|---|---|---|---|--------------|
| Bit           | 7               | 6 | 5 | 4 | 3 | 2 | 1 | 0 |              |
| NA (\$126)    | <b>ICR5L7:0</b> |   |   |   |   |   |   |   | <b>ICR5L</b> |
| Read/Write    | R               | R | R | R | R | R | R | R |              |
| Initial Value | 0               | 0 | 0 | 0 | 0 | 0 | 0 | 0 |              |

The Timer/Counter5 has only limited functionality. It is not connected to any I/O pin. Therefore the contents of this register is never updated with the counter (TCNT5) value. The Input Capture Register is 16-bit in size. To ensure that both the high and low bytes are read simultaneously when the CPU accesses these registers, the access is performed using an 8-bit temporary High Byte Register (TEMP). This temporary register is shared by all the other 16-bit registers. See section "Accessing 16-bit Registers" for details.

- **Bit 7:0 – ICR5L7:0 - Timer/Counter5 Input Capture Register Low Byte**

## 18.11.59 TIMSK5 – Timer/Counter5 Interrupt Mask Register

| Bit           | 7           | 6           | 5            | 4          | 3             | 2             | 1             | 0            |        |
|---------------|-------------|-------------|--------------|------------|---------------|---------------|---------------|--------------|--------|
| NA (\$73)     | <b>Res1</b> | <b>Res0</b> | <b>ICIE5</b> | <b>Res</b> | <b>OCIE5C</b> | <b>OCIE5B</b> | <b>OCIE5A</b> | <b>TOIE5</b> | TIMSK5 |
| Read/Write    | R           | R           | RW           | R          | R             | R             | RW            | RW           |        |
| Initial Value | 0           | 0           | 0            | 0          | 0             | 0             | 0             | 0            |        |

- **Bit 7:6 – Res1:0 - Reserved Bit**

This bit is reserved for future use. A read access always will return zero. A write access does not modify the content.

- **Bit 5 – ICIE5 - Timer/Counter5 Input Capture Interrupt Enable**

The Timer/Counter5 has only limited functionality. It does not have an Input Capture pin. Therefore this bit has no useful meaning.

- **Bit 4 – Res - Reserved Bit**

This bit is reserved for future use. A read access always will return zero. A write access does not modify the content.

- **Bit 3 – OCIE5C - Timer/Counter5 Output Compare C Match Interrupt Enable**

When this bit is written to one, and the I-flag in the Status Register is set (interrupts globally enabled), the Timer/Counter5 Output Compare C Match interrupt is enabled. The corresponding Interrupt Vector is executed when the OCF5C Flag, located in TIFR5, is set.

- **Bit 2 – OCIE5B - Timer/Counter5 Output Compare B Match Interrupt Enable**

When this bit is written to one, and the I-flag in the Status Register is set (interrupts globally enabled), the Timer/Counter5 Output Compare B Match interrupt is enabled. The corresponding Interrupt Vector is executed when the OCF5B Flag, located in TIFR5, is set.

- **Bit 1 – OCIE5A - Timer/Counter5 Output Compare A Match Interrupt Enable**

When this bit is written to one, and the I-flag in the Status Register is set (interrupts globally enabled), the Timer/Counter5 Output Compare A Match interrupt is enabled. The corresponding Interrupt Vector is executed when the OCF5A Flag, located in TIFR5, is set.

- **Bit 0 – TOIE5 - Timer/Counter5 Overflow Interrupt Enable**

When this bit is written to one, and the I-flag in the Status Register is set (interrupts globally enabled), the Timer/Counter5 Overflow interrupt is enabled. The corresponding Interrupt Vector is executed when the TOV5 Flag, located in TIFR5, is set.

## 18.11.60 TIFR5 – Timer/Counter5 Interrupt Flag Register

| Bit           | 7           | 6           | 5           | 4          | 3            | 2            | 1            | 0           |       |
|---------------|-------------|-------------|-------------|------------|--------------|--------------|--------------|-------------|-------|
| \$1A (\$3A)   | <b>Res1</b> | <b>Res0</b> | <b>ICF5</b> | <b>Res</b> | <b>OCF5C</b> | <b>OCF5B</b> | <b>OCF5A</b> | <b>TOV5</b> | TIFR5 |
| Read/Write    | R           | R           | RW          | R          | RW           | RW           | RW           | RW          |       |
| Initial Value | 0           | 0           | 0           | 0          | 0            | 0            | 0            | 0           |       |

- **Bit 7:6 – Res1:0 - Reserved Bit**

This bit is reserved for future use. A read access always will return zero. A write access does not modify the content.

- **Bit 5 – ICF5 - Timer/Counter5 Input Capture Flag**

The Timer/Counter5 has only limited functionality. It does not have an Input Capture pin. Therefore this bit has no useful meaning.

- **Bit 4 – Res - Reserved Bit**

This bit is reserved for future use. A read access always will return zero. A write access does not modify the content.

- **Bit 3 – OCF5C - Timer/Counter5 Output Compare C Match Flag**

This flag is set in the timer clock cycle after the counter (TCNT5) value matches the Output Compare Register C (OCR5C). Note that a Forced Output Compare (FOC5C) strobe will not set the OCF5C Flag. OCF5C is automatically cleared when the Output Compare Match C Interrupt Vector is executed. Alternatively, OCF5C can be cleared by writing a logic one to its bit location.

- **Bit 2 – OCF5B - Timer/Counter5 Output Compare B Match Flag**

This flag is set in the timer clock cycle after the counter (TCNT5) value matches the Output Compare Register B (OCR5B). Note that a Forced Output Compare (FOC5B) strobe will not set the OCF5B Flag. OCF5B is automatically cleared when the Output Compare Match B Interrupt Vector is executed. Alternatively, OCF5B can be cleared by writing a logic one to its bit location.

- **Bit 1 – OCF5A - Timer/Counter5 Output Compare A Match Flag**

This flag is set in the timer clock cycle after the counter (TCNT5) value matches the Output Compare Register A (OCR5A). Note that a Forced Output Compare (FOC5A) strobe will not set the OCF5A Flag. OCF5A is automatically cleared when the Output Compare Match A Interrupt Vector is executed. Alternatively, OCF5A can be cleared by writing a logic one to its bit location.

- **Bit 0 – TOV5 - Timer/Counter5 Overflow Flag**

The setting of this flag is dependent of the WGM53:0 bits setting of the Timer/Counter5 Control Register. In Normal and CTC modes, the TOV5 Flag is set when the timer overflows. TOV5 is automatically cleared when the Timer/Counter5 Overflow Interrupt Vector is executed. Alternatively, TOV5 can be cleared by writing a logic one to its bit location.

## 19 Timer/Counter 0, 1, 3, 4, and 5 Prescaler

Timer/Counter 0, 1, 3, 4, and 5 share the same prescaler module, but the Timer/Counters can have different prescaler settings. The description below applies to all Timer/Counters.  $T_n$  is used as a general name,  $n = 0, 1, 3, 4, \text{ or } 5$ .

### 19.1 Internal Clock Source

The Timer/Counter can be clocked directly by the system clock (by setting the  $CS_{n2:0} = 1$ ). This provides the fastest operation with a maximum Timer/Counter clock frequency equal to system clock frequency ( $f_{clk_{I/O}}$ ). Alternatively one of four taps from the prescaler can be used as a clock source. The prescaled clock has a frequency of either  $f_{clk_{I/O}}/8$ ,  $f_{clk_{I/O}}/64$ ,  $f_{clk_{I/O}}/256$  or  $f_{clk_{I/O}}/1024$ .

### 19.2 Prescaler Reset

The prescaler is free running, i.e., operates independently of the Clock Select logic of the Timer/Counter, and it is shared by the Timer/Counter  $T_n$ . Since the prescaler is not affected by the Timer/Counter's clock select, the state of the prescaler will have implications for situations where a prescaled clock is used. One example of prescaling artifacts occurs when the timer is enabled and clocked by the prescaler ( $6 > CS_{n2:0} > 1$ ). The number of system clock cycles from the moment the timer is enabled until the first count occurs can be from 1 to  $N+1$  system clock cycles, where  $N$  equals the prescaler divisor (8, 64, 256, or 1024).

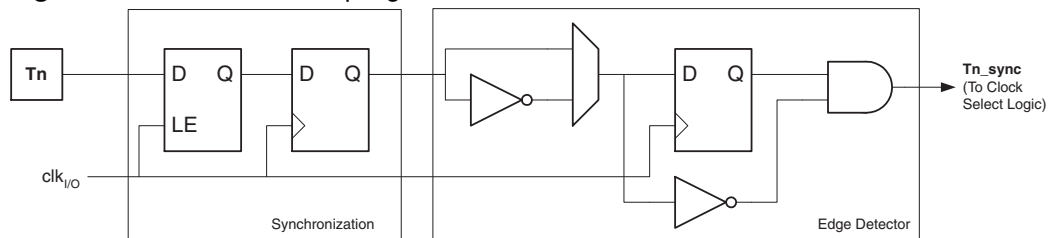
It is possible to use the prescaler reset for synchronizing the Timer/Counter to program execution. However care must be taken if the other Timer/Counter that shares the same prescaler also uses prescaling. A prescaler reset will affect the prescaler period for all connected Timer/Counters.

### 19.3 External Clock Source

An external clock source applied to the  $T_n$  pin can be used as Timer/Counter clock ( $clk_{T_n}$ ). The  $T_n$  pin is sampled once every system clock cycle by the pin synchronization logic. The synchronized (sampled) signal is then passed through the edge detector. Figure 19-1 shows a functional equivalent block diagram of the  $T_n$  synchronization and edge detector logic. The registers are clocked at the positive edge of the internal system clock ( $clk_{I/O}$ ). The latch is transparent in the high period of the internal system clock.

The edge detector generates one  $clk_{T_n}$  pulse for each positive ( $CS_{n2:0} = 7$ ) or negative ( $CS_{n2:0} = 6$ ) edge it detects.

**Figure 19-1.**  $T_n/T_0$  Pin Sampling

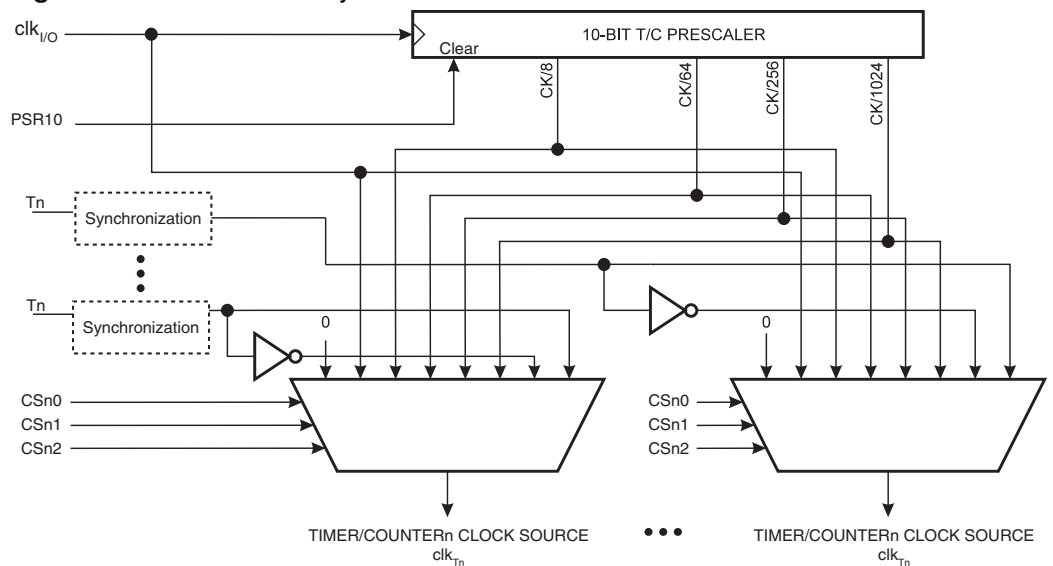


The synchronization and edge detector logic introduces a delay of 2.5 to 3.5 system clock cycles from an edge applied to the  $T_n$  pin to the counter being updated.

Enabling and disabling of the clock input must be done when  $T_n$  has been stable for at least one system clock cycle. Otherwise there is a risk of generating a false Timer/Counter clock pulse.

Each half period of the applied, external clock must be longer than one system clock cycle to ensure correct sampling. The external clock must be guaranteed to have less than half the system clock frequency ( $f_{ExtClk} < f_{clkI/O}/2$ ) given a 50/50% duty cycle. Since the edge detector uses sampling, the maximum frequency of a detectable external clock is half the sampling frequency (Nyquist sampling theorem). However due to variation of the system clock frequency and duty cycle caused by Oscillator source (crystal, resonator and capacitors) tolerances, it is recommended to limit the maximum frequency of an external clock source to less than  $f_{clkI/O}/2.5$ . An external clock source can not be prescaled.

**Figure 19-2.** Prescaler for synchronous Timer/Counters



## 19.4 Register Description

### 19.4.1 GTCCR – General Timer/Counter Control Register

| Bit           | 7          | 6           | 5           | 4           | 3           | 2           | 1             | 0              |       |
|---------------|------------|-------------|-------------|-------------|-------------|-------------|---------------|----------------|-------|
| \$23 (\$43)   | <b>TSM</b> | <b>Res4</b> | <b>Res3</b> | <b>Res2</b> | <b>Res1</b> | <b>Res0</b> | <b>PSRASY</b> | <b>PSRSYNC</b> | GTCCR |
| Read/Write    | RW         | R           | R           | R           | R           | R           | R             | RW             |       |
| Initial Value | 0          | 0           | 0           | 0           | 0           | 0           | 0             | 0              |       |

- **Bit 7 – TSM - Timer/Counter Synchronization Mode**

Writing the TSM bit to one activates the Timer/Counter Synchronization mode. In this mode the value that is written to the PSRASY and PSRSYNC bits is kept, hence keeping the corresponding prescaler reset signals asserted. This ensures that the corresponding Timer/Counters are halted and can be configured to the same value without the risk of one of them advancing during the configuration. When the TSM bit is written to zero, the PSRASY and PSRSYNC bits are cleared by hardware and the Timer/Counters simultaneously start counting.

- **Bit 6:2 – Res4:0 - Reserved**

This bit is reserved for future use. A read access always will return zero. A write access does not modify the content.

- **Bit 1 – PSRASY - Prescaler Reset Timer/Counter2**

When this bit is one, the Timer/Counter2 prescaler will be reset. This bit is normally cleared immediately by hardware. If the bit is written when Timer/Counter2 is operating in asynchronous mode, the bit will remain one until the prescaler has been reset. The bit will not be cleared by hardware if the TSM bit is set.

- **Bit 0 – PSRSYNC - Prescaler Reset for Synchronous Timer/Counters**

When this bit is one, the Timer/Counter0, Timer/Counter1, Timer/Counter3, Timer/Counter4 and Timer/Counter5 prescaler will be reset. This bit is normally cleared immediately by hardware, except if the TSM bit is set. Note that Timer/Counter0, Timer/Counter1, Timer/Counter3, Timer/Counter4 and Timer/Counter5 share the same prescaler and a reset of this prescaler will affect all timers.

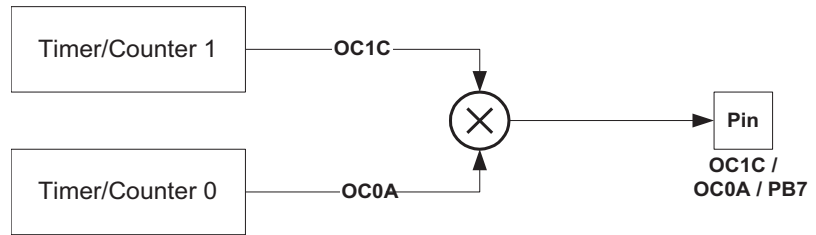


## 20 Output Compare Modulator (OCM1C0A)

### 20.1 Overview

The Output Compare Modulator (OCM) allows generation of waveforms modulated with a carrier frequency. The modulator uses the outputs from the Output Compare Unit C of the 16-bit Timer/Counter1 and the Output Compare Unit of the 8-bit Timer/Counter0. For more details about these Timer/Counters see "Timer/Counter 0, 1, 3, 4, and 5 Prescaler" on page 334 and "8-bit Timer/Counter2 with PWM and Asynchronous Operation" on page 339.

**Figure 20-1.** Output Compare Modulator, Block Diagram



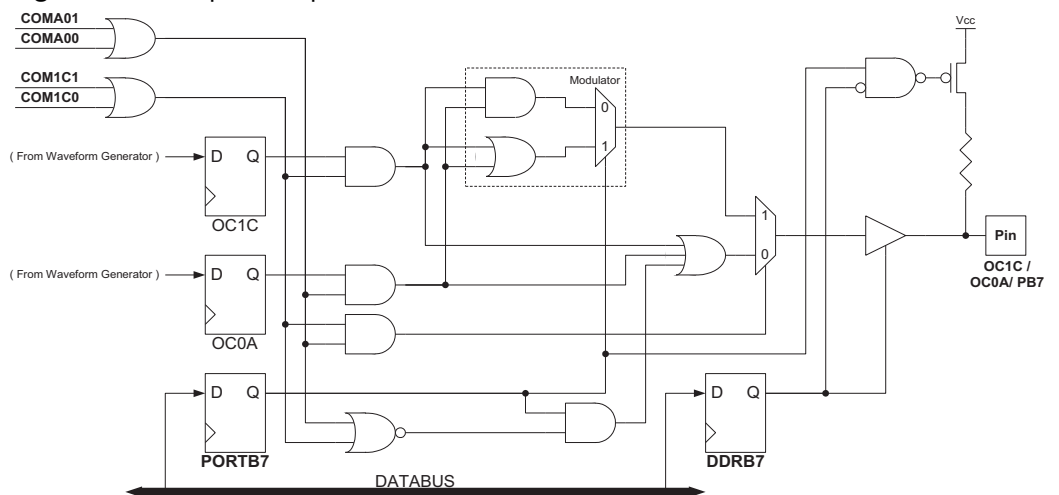
When the modulator is enabled, the two output compare channels are modulated together as shown in the block diagram (Figure 20-1 above).

### 20.2 Description

The Output Compare unit 1C and Output Compare unit 2 share the PB7 port pin for output. The outputs of the Output Compare units (OC1C and OC0A) override the normal PORTB7 Register when one of them is enabled (i.e., when COMnx1:0 is not equal to zero). When both OC1C and OC0A are enabled at the same time, the modulator is automatically enabled.

The functional equivalent schematic of the modulator is shown on in the following figure. The schematic includes part of the Timer/Counter units and the port B bit 7 output driver circuit.

**Figure 20-2.** Output Compare Modulator, Schematic

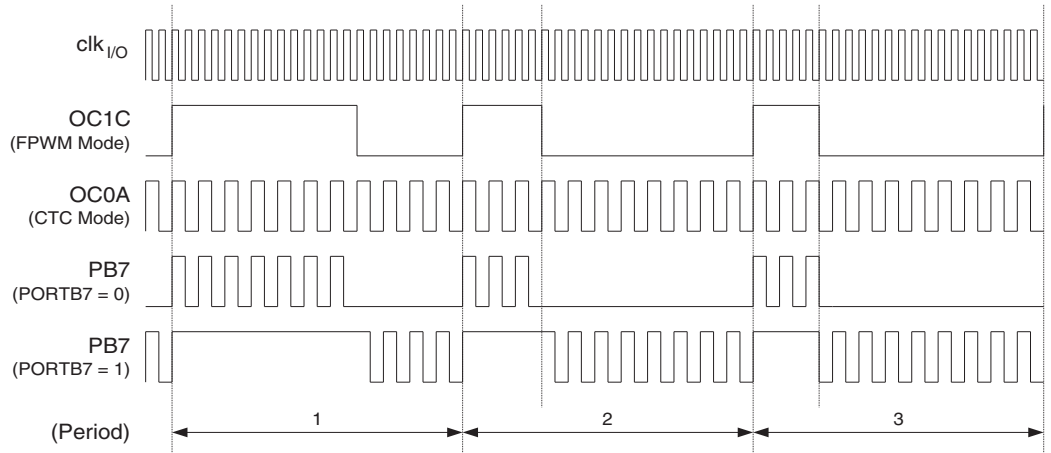


When the modulator is enabled the type of modulation (logical AND or OR) can be selected by the PORTB7 Register. Note that the DDRB7 controls the direction of the port independent of the COMnx1:0 bit setting.

## 20.3 Timing Example

Figure 20-3 below illustrates the modulator in action. In this example the Timer/Counter1 is set to operate in fast PWM mode (non-inverted) and Timer/Counter0 uses CTC waveform mode with toggle Compare Output mode (COMnx1:0 = 1).

**Figure 20-3.** Output Compare Modulator, Timing Diagram



In this example Timer/Counter2 provides the carrier while the modulating signal is generated by the Output Compare unit C of the Timer/Counter1.

The resolution of the PWM signal (OC1C) is reduced by the modulation. The reduction factor is equal to the number of system clock cycles of one period of the carrier (OC0A). In this example the resolution is reduced by a factor of two. The reason for the reduction is illustrated in Figure 20-3 above at the second and third period of the PB7 output when PORTB7 equals zero. The period 2 high time is one cycle longer than the period 3 high time, but the result on the PB7 output is equal in both periods.

## 21 8-bit Timer/Counter2 with PWM and Asynchronous Operation

### 21.1 Features

Timer/Counter2 is a general purpose, single channel, 8-bit Timer/Counter module. The main features are:

- **Single channel counter**
- **Clear timer on compare match (auto reload)**
- **Glitch-free, phase-correct pulse-width modulator (PWM)**
- **Frequency generator**
- **10 bit clock prescaler**
- **Overflow and compare match interrupt sources (TOV2, OCF2A and OCF2B)**
- **Able to run with external 32 kHz watch crystal independent of the I/O clock**

### 21.2 Overview

A simplified block diagram of the 8-bit Timer/Counter is shown on [Figure 21-1 on page 340](#). For the current placement of I/O pins, see chapter "[Pin Configurations](#)" on [page 2](#). CPU accessible I/O Registers, including I/O bits and I/O pins, are shown in bold. The device-specific I/O Register and bit locations are listed in the "[Register Description](#)" on [page 354](#).

The Power Reduction Timer/Counter2 bit PRTIM2 in register PRR0 (see "[PRR0 – Power Reduction Register0](#)" on [page 195](#)) must be written to zero to enable Timer/Counter2 module.

Note: OC2B is implemented but not routed to a pin and for this reason it can't be used.

#### 21.2.1 Registers

The Timer/Counter (TCNT2) and Output Compare Register (OCR2A and OCR2B) are 8 bit registers. Interrupt request (abbreviated to Int.Req.) signals are all visible in the Timer Interrupt Flag Register (TIFR2). All interrupts are individually masked with the Timer Interrupt Mask Register (TIMSK2). TIFR2 and TIMSK2 are not shown in the figure.

The Timer/Counter can be clocked internally, via the prescaler, asynchronously clocked from the TOSC1/2 pins or alternatively from the Automated Meter Reading (AMR) pin as detailed later in this section. The asynchronous operation is controlled by the Asynchronous Status Register (ASSR). The Clock Select logic block controls which clock source the Timer/Counter uses to increment (or decrement) its value. The Timer/Counter is inactive when no clock source is selected. The output from the Clock Select logic is referred to as the timer clock ( $clk_{T2}$ ).

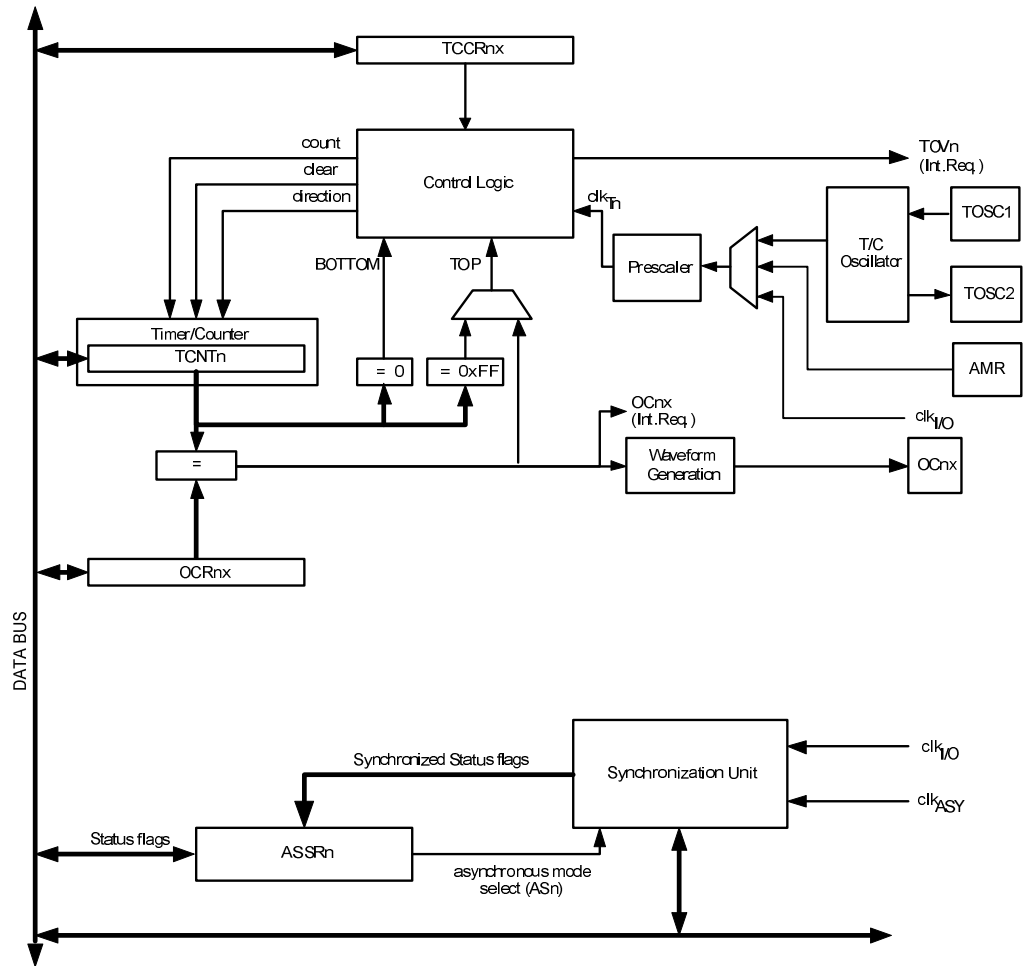
The double buffered Output Compare Register (OCR2A and OCR2B) are compared with the Timer/Counter value at all times. The result of the compare can be used by the Waveform Generator to generate a PWM or variable frequency output on the Output Compare pins (OC2A and OC2B). See chapter "[Output Compare Unit](#)" on [page 346](#) for details. The compare match event will also set the Compare Flag (OCF2A or OCF2B) which can be used to generate an Output Compare interrupt request.

#### 21.2.2 Definitions

Many register and bit references in this document are written in general form. A lower case "n" replaces the Timer/Counter number, in this case 2. However, when using the

register or bit defines in a program, the precise form must be used, i.e., TCNT2 for accessing Timer/Counter2 counter value and so on.

**Figure 21-1. 8-bit Timer/Counter Block Diagram**



The definitions in Table [Table 21-1 below](#) are also used extensively throughout the section.

**Table 21-1. Definitions**

|        |   |
|--------|---|
| BOTTOM | The counter reaches the BOTTOM when it becomes zero (0x00).   |
| MAX    | The counter reaches its MAXimum when it becomes 0xFF (decimal 255).   |
| TOP    | The counter reaches the TOP when it becomes equal to the highest value in the count sequence. The TOP value can be assigned to be the fixed value 0xFF (MAX) or the value stored in the OCR2A Register. The assignment is dependent on the mode of operation. |

## 21.3 Timer/Counter Clock Sources

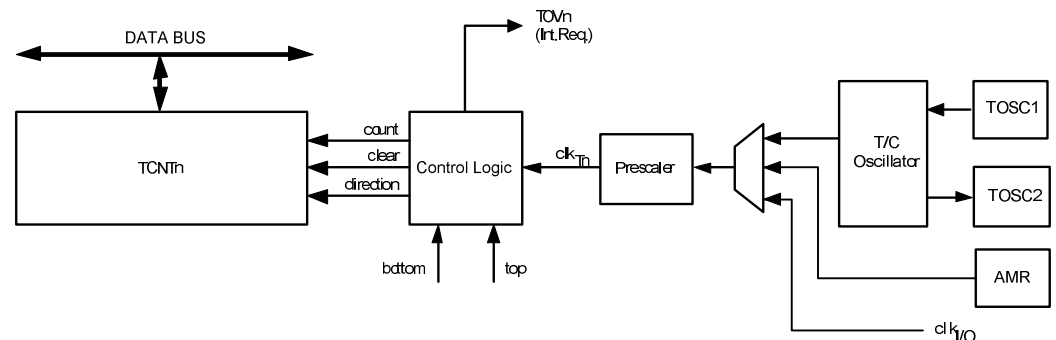
The Timer/Counter can be clocked by an internal synchronous or an external asynchronous clock source. The clock source  $clk_{T2}$  is by default equal to the MCU clock,  $clk_{IO}$ . When the AS2 bit in the ASSR Register is written to logic one, the clock source is either taken from the Timer/Counter Oscillator connected to TOSC1 and TOSC2 or from the AMR pin. For details on asynchronous operation, see section

"Asynchronous Operation of Timer/Counter2" on page 350. For details on clock sources and prescaler, see section "Timer/Counter Prescaler" on page 353.

## 21.4 Counter Unit

The main part of the 8-bit Timer/Counter is the programmable bi-directional counter unit. Figure 21-2 below shows a block diagram of the counter and its surrounding environment.

**Figure 21-2.** Counter Unit Block Diagram



Signal description (internal signals):

|                         |   |
|-------------------------|---|
| <b>count</b>            | Increment or decrement TCNT2 by 1.                                      |
| <b>direction</b>        | Selects between increment and decrement.                                |
| <b>clear</b>            | Clear TCNT2 (set all bits to zero).                                     |
| <b>clk<sub>Tn</sub></b> | Timer/Counter clock, referred to as clk <sub>T2</sub> in the following. |
| <b>top</b>              | Signalizes that TCNT2 has reached maximum value.                        |
| <b>bottom</b>           | Signalizes that TCNT2 has reached minimum value (zero).                 |

Depending on the mode of operation used, the counter is cleared, incremented, or decremented at each timer clock (clk<sub>T2</sub>). clk<sub>T2</sub> can be generated from an external or internal clock source, selected by the Clock Select bits (CS22:0). When no clock source is selected (CS22:0 = 0) the timer is stopped. However, the TCNT2 value can be accessed by the CPU, regardless of whether clk<sub>T2</sub> is present or not. A CPU write overrides (has priority over) all counter clear or count operations.

The counting sequence is determined by the setting of the WGM21 and WGM20 bits located in the Timer/Counter Control Register (TCCR2A) and the WGM22 located in the Timer/Counter Control Register B (TCCR2B). There are close connections between how the counter behaves (counts) and how waveforms are generated on the Output Compare outputs OC2A and OC2B. For more details about advanced counting sequences and waveform generation, see chapter "Modes of Operation" below.

The Timer/Counter Overflow Flag (TOV2) is set according to the mode of operation selected by the WGM22:0 bits. TOV2 can be used for generating a CPU interrupt.

## 21.5 Modes of Operation

The mode of operation, i.e., the behaviour of the Timer/Counter and the Output Compare pins, is defined by the combination of the Waveform Generation mode (WGM22:0) and Compare Output mode (COM2x1:0) bits. The Compare Output mode bits do not affect the counting sequence, while the Waveform Generation mode bits do. The COM2x1:0 bits control whether the PWM output generated should be inverted or

not (inverted or non-inverted PWM). For non-PWM modes the COM2x1:0 bits control whether the output should be set, cleared, or toggled at a compare match (see chapter "Compare Match Output Unit" on page 347).

For detailed timing information refer to chapter "Timer/Counter Timing Diagrams" on page 349.

The following table shows the function of the WGM22:0 bits of registers TCCR2A and TCCR2B. These bits control the counting sequence of the counter, the source for maximum (TOP) counter value, and what type of waveform generation to be used.

**Table 21-2. Waveform Generation Mode Bit Description**

| Mode | WGM2 | WGM1 | WGM0 | Timer/Counter Mode of Operation | TOP  | Update of OCRX at | TOV Flag Set on <sup>(1,2)</sup> |
|------|------|------|------|---------------------------------|------|-------------------|----------------------------------|
| 0    | 0    | 0    | 0    | Normal                          | 0xFF | Immediate         | MAX                              |
| 1    | 0    | 0    | 1    | PWM, Phase Correct              | 0xFF | TOP               | BOTTOM                           |
| 2    | 0    | 1    | 0    | CTC                             | OCRA | Immediate         | MAX                              |
| 3    | 0    | 1    | 1    | Fast PWM                        | 0xFF | TOP               | MAX                              |
| 4    | 1    | 0    | 0    | Reserved                        | –    | –                 | –                                |
| 5    | 1    | 0    | 1    | PWM, Phase Correct              | OCRA | TOP               | BOTTOM                           |
| 6    | 1    | 1    | 0    | Reserved                        | –    | –                 | –                                |
| 7    | 1    | 1    | 1    | Fast PWM                        | OCRA | BOTTOM            | TOP                              |

- Notes:
1. MAX = 0xFF
  2. BOTTOM = 0x00

### 21.5.1 Normal Mode

The simplest mode of operation is the Normal mode (WGM22:0 = 0). In this mode the counting direction is always up (incrementing), and no counter clear is performed. The counter simply overruns when it passes its maximum 8 bit value (TOP = 0xFF) and then restarts from the bottom (0x00). In normal operation the Timer/Counter Overflow Flag (TOV2) will be set in the same timer clock cycle as the TCNT2 becomes zero. The TOV2 Flag in this case behaves like a ninth bit, except that it is only set, not cleared. However combined with the timer overflow interrupt that automatically clears the TOV2 Flag, the timer resolution can be increased by software. There are no special cases to consider in the Normal mode, a new counter value can be written anytime.

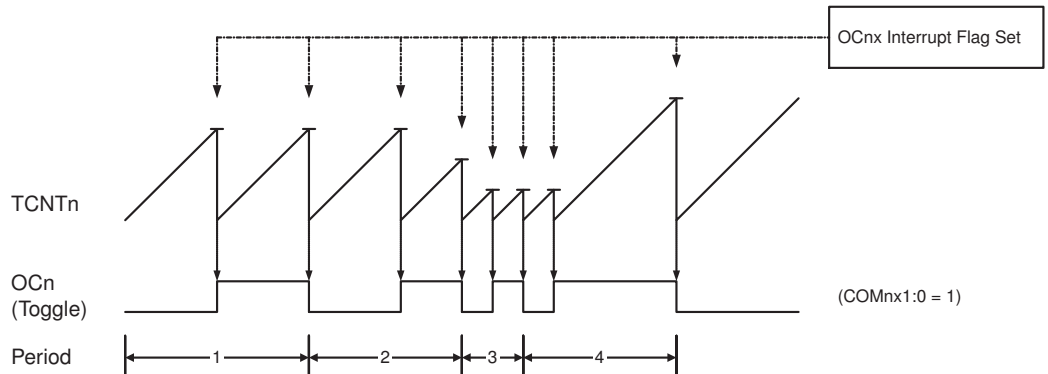
The Output Compare unit can be used to generate interrupts at some given time. Using the Output Compare to generate waveforms in Normal mode is not recommended, since this will occupy too much of the CPU time.

### 21.5.2 Clear Timer on Compare Match (CTC) Mode

In Clear Timer on Compare or CTC mode (WGM22:0 = 2), the OCR2A Register is used to manipulate the counter resolution. In CTC mode the counter is cleared to zero when the counter value (TCNT2) matches the OCR2A. The OCR2A defines the top value for the counter, hence also its resolution. This mode allows greater control of the compare match output frequency. It also simplifies the operation of counting external events.

The timing diagram for the CTC mode is shown in Table 20-3. The counter value (TCNT2) increases until a compare match occurs between TCNT2 and OCR2A, and then counter (TCNT2) is cleared.

**Figure 21-3. CTC Mode, Timing Diagram**



An interrupt can be generated each time the counter value reaches the TOP value by using the OCF2A Flag. If the interrupt is enabled, the interrupt handler routine can be used for updating the TOP value. However, changing TOP to a value close to BOTTOM when the counter is running with none or a low prescaler value must be done with care since the CTC mode does not have the double buffering feature. If the new value written to OCR2A is lower than the current value of TCNT2, the counter will miss the compare match. The counter will then have to count to its maximum value (0xFF) and wrap around starting at 0x00 before the compare match can occur.

For generating a waveform output in CTC mode, the OC2A output can be set to toggle its logical level on each compare match by setting the Compare Output mode bits to toggle mode (COM2A1:0 = 1). The OC2A value will not be visible on the port pin unless the data direction for the pin is set to output. The waveform generated will have a maximum frequency of  $f_{OC2A} = f_{clk/I/O}/2$  when OCR2A is set to zero (0x00). The waveform frequency is defined by the following equation

$$f_{OCnx} = \frac{f_{clk/I/O}}{2 \cdot N \cdot (1 + OCRnx)}$$

The N variable represents the pre-scale factor (1, 8, 32, 64, 128, 256, or 1024).

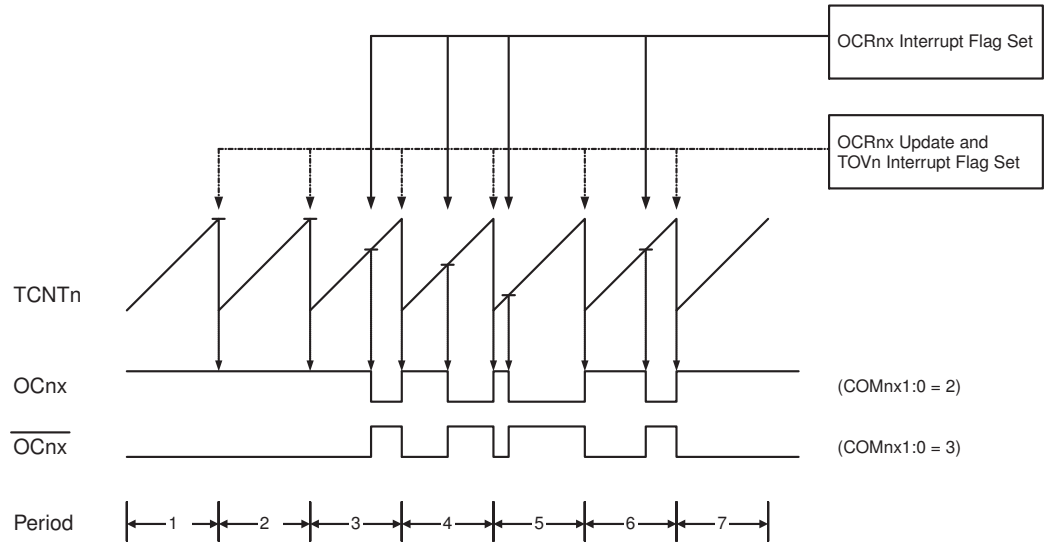
As for the Normal mode of operation, the TOV2 Flag is set in the same timer clock cycle that the counter counts from MAX to 0x00.

### 21.5.3 Fast PWM Mode

The Timer/Counter Overflow Flag (TOV2) is set each time the counter reaches TOP. If the interrupt is enabled, the interrupt handler routine can be used for updating the compare value.

In fast PWM mode, the compare unit allows generation of PWM waveforms on the OC2x pin. Setting the COM2x1:0 bits to two will produce a non-inverted PWM and an inverted PWM output can be generated by setting the COM2x1:0 to three. TOP is defined as 0xFF when WGM22:0 = 3, and OCR2A when WGM22:0 = 7 (see section ["Register Description" on page 354](#) for register TCCR2A). The actual OC2x value will only be visible on the port pin if the data direction for the port pin is set as output. The PWM waveform is generated by setting (or clearing) the OC2x Register at the compare match between OCR2x and TCNT2, and clearing (or setting) the OC2x Register at the timer clock cycle the counter is cleared (changes from TOP to BOTTOM).

**Figure 21-4.** Fast PWM Mode, Timing Diagram



The PWM frequency for the output can be calculated by the following equation:

$$f_{OCnxPWM} = \frac{f_{clkIO}}{N \cdot 256}$$

The N variable represents the pre-scale factor (1, 8, 32, 64, 128, 256, or 1024).

The extreme values for the OCR2A Register represent special cases when generating a PWM waveform output in the fast PWM mode. If the OCR2A is set equal to BOTTOM, the output will be a narrow spike for each MAX+1 timer clock cycle. Setting the OCR2A equal to MAX will result in a constantly high or low output (depending on the polarity of the output set by the COM2A1:0 bits.)

A frequency (with 50% duty cycle) waveform output in fast PWM mode can be achieved by setting OC2x to toggle its logical level on each compare match (COM2x1:0 = 1). The waveform generated will have a maximum frequency of  $f_{OC2A} = f_{clkIO}/2$  when OCR2A is set to zero. This feature is similar to the OC2A toggle in CTC mode, except the double buffer feature of the Output Compare unit is enabled in the fast PWM mode.

## 21.5.4 Phase Correct PWM Mode

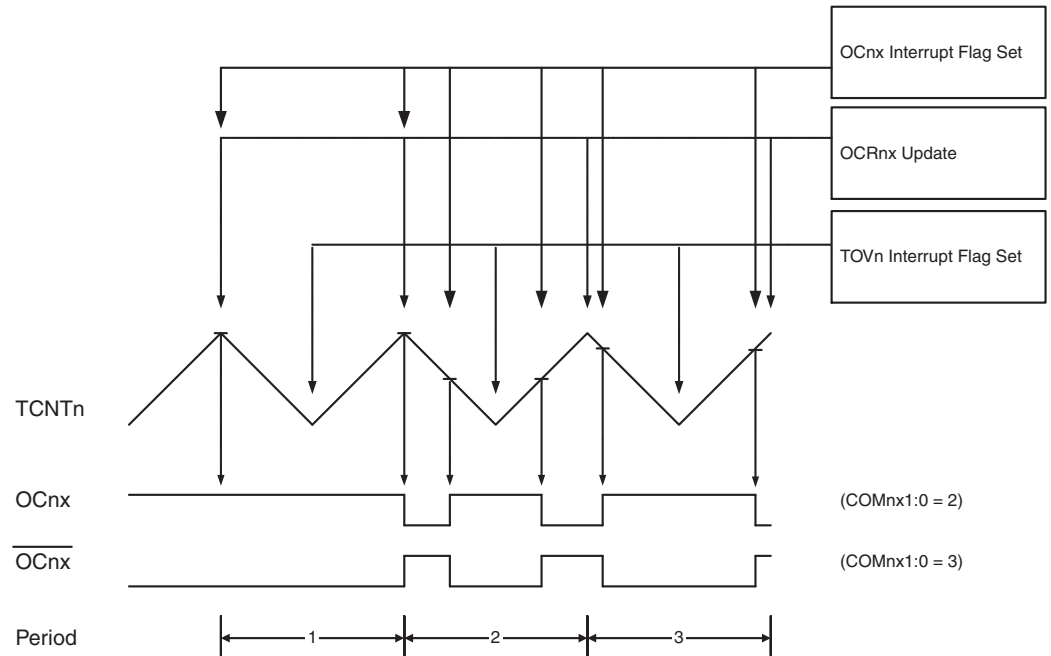
The phase correct PWM mode (WGM22:0 = 1 or 5) provides a high resolution phase correct PWM waveform generation option. The phase correct PWM mode is based on a dual-slope operation. The counter counts repeatedly from BOTTOM to TOP and then from TOP to BOTTOM. TOP is defined as 0xFF when WGM22:0 = 1, and OCR2A when WGM22:0 = 5. In non-inverting Compare Output mode, the Output Compare (OC2x) is cleared on the compare match between TCNT2 and OCR2x while up-counting, and set on the compare match while down-counting. In inverting Output Compare mode, the operation is inverted. The dual-slope operation has lower maximum operation frequency than single slope operation. However, due to the symmetric feature of the dual-slope PWM modes, these modes are preferred for motor control applications.

In phase correct PWM mode the counter is incremented until the counter value matches TOP. When the counter reaches TOP, it changes the count direction. The TCNT2 value will be equal to TOP for one timer clock cycle. The timing diagram for the phase correct PWM mode is shown on [Figure 21-5 on page 345](#). The TCNT2 value is in the timing diagram shown as a histogram for illustrating the dual-slope operation. The diagram



includes non-inverted and inverted PWM outputs. The small horizontal line marks on the TCNT2 slopes represent compare matches between OCR2x and TCNT2.

**Figure 21-5.** Phase Correct PWM Mode, Timing Diagram



The Timer/Counter Overflow Flag (TOV2) is set each time the counter reaches BOTTOM. The Interrupt Flag can be used to generate an interrupt each time the counter reaches the BOTTOM value.

In phase correct PWM mode, the compare unit allows generation of PWM waveforms on the OC2x pin. Setting the COM2x1:0 bits to two will produce a non-inverted PWM. An inverted PWM output can be generated by setting the COM2x1:0 to three. TOP is defined as 0xFF when WGM22:0 = 3, and OCR2A when WGM22:0 = 7 (see section "Register Description" on page 354 for register TCCR2A). The actual OC2x value will only be visible on the port pin if the data direction for the port pin is set as output. The PWM waveform is generated by clearing (or setting) the OC2x Register at the compare match between OCR2x and TCNT2 when the counter increments, and setting (or clearing) the OC2x Register at compare match between OCR2x and TCNT2 when the counter decrements. The PWM frequency for the output when using phase correct PWM can be calculated by the following equation:

$$f_{OCnxPCPWM} = \frac{f_{clk\_I/O}}{N \cdot 510}$$

The N variable represents the pre-scale factor (1, 8, 32, 64, 128, 256, or 1024).

The extreme values for the OCR2A Register represent special cases when generating a PWM waveform output in the phase correct PWM mode. If the OCR2A is set equal to BOTTOM, the output will be continuously low and if set equal to MAX the output will be continuously high for non-inverted PWM mode. For inverted PWM the output will have the opposite logic values.

At the very start of period 2 in Figure 21-5 above OCnx has a transition from high to low even though there is no Compare Match. The point of this transition is to guarantee symmetry around BOTTOM. There are two cases that give a transition without Compare Match.

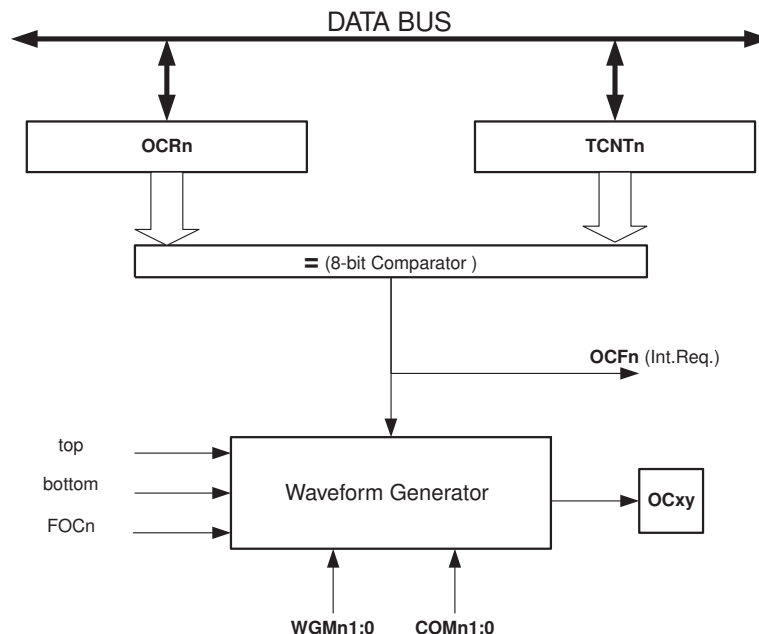
- OCR2A changes its value from MAX, like in [Figure 21-5 on page 345](#). When the OCR2A value is MAX the OCn pin value is the same as the result of a down-counting compare match. To ensure symmetry around BOTTOM the OCn value at MAX must correspond to the result of an up-counting Compare Match.
- The timer starts counting from a value higher than the one in OCR2A, and for that reason misses the Compare Match and hence the OCn change that would have happened on the way up.

## 21.6 Output Compare Unit

The 8 bit comparator continuously compares TCNT2 with the Output Compare Register (OCR2A and OCR2B). Whenever TCNT2 equals OCR2A or OCR2B, the comparator signals a match. A match will set the Output Compare Flag (OCF2A or OCF2B) at the next timer clock cycle. If the corresponding interrupt is enabled, the Output Compare Flag generates an Output Compare interrupt. The Output Compare Flag is automatically cleared when the interrupt is executed. Alternatively, the Output Compare Flag can be cleared by software by writing a logical one to its I/O bit location. The Waveform Generator uses the match signal to generate an output according to operating mode set by the WGM22:0 bits and Compare Output mode (COM2x1:0) bits. The max and bottom signals are used by the Waveform Generator for handling the special cases of the extreme values in some modes of operation (chapter "[Modes of Operation](#)" on page 341).

[Figure 21-6 below](#) shows a block diagram of the Output Compare unit.

**Figure 21-6.** Output Compare Unit, Block Diagram



The OCR2x Register is double buffered when using any of the Pulse Width Modulation (PWM) modes. For the Normal and Clear Timer on Compare (CTC) modes of operation, the double buffering is disabled. The double buffering synchronizes the update of the OCR2x Compare Register to either top or bottom of the counting sequence. The synchronization prevents the occurrence of odd-length, non-symmetrical PWM pulses, thereby making the output glitch-free.

The OCR2x Register access may seem complex, but this is not the case. When the double buffering is enabled, the CPU has access to the OCR2x Buffer Register, and if double buffering is disabled the CPU will access the OCR2x directly.

## 21.6.1 Force Output Compare

In non-PWM waveform generation modes, the match output of the comparator can be forced by writing a one to the Force Output Compare (FOC2x) bit. Forcing compare match will not set the OCF2x Flag or reload/clear the timer, but the OC2x pin will be updated as if a real compare match had occurred (the COM2x1:0 bits settings define whether the OC2x pin is set, cleared or toggled).

## 21.6.2 Compare Match Blocking by TCNT2 Write

All CPU write operations to the TCNT2 Register will block any compare match that occurs in the next timer clock cycle, even when the timer is stopped. This feature allows OCR2x to be initialized to the same value as TCNT2 without triggering an interrupt when the Timer/Counter clock is enabled.

## 21.6.3 Using the Output Compare Unit

Since writing TCNT2 in any mode of operation will block all compare matches for one timer clock cycle, there are risks involved when changing TCNT2 when using the Output Compare channel, independently of whether the Timer/Counter is running or not. If the value written to TCNT2 equals the OCR2x value, the compare match will be missed, resulting in incorrect waveform generation. Similarly, do not write the TCNT2 value equal to BOTTOM when the counter is down-counting.

The setup of the OC2x should be performed before setting the Data Direction Register for the port pin to output. The easiest way of setting the OC2x value is to use the Force Output Compare (FOC2x) strobe bit in Normal mode. The OC2x Register keeps its value even when changing between Waveform Generation modes.

Be aware that the COM2x1:0 bits are not double buffered together with the compare value. A change of the COM2x1:0 bits will take effect immediately.

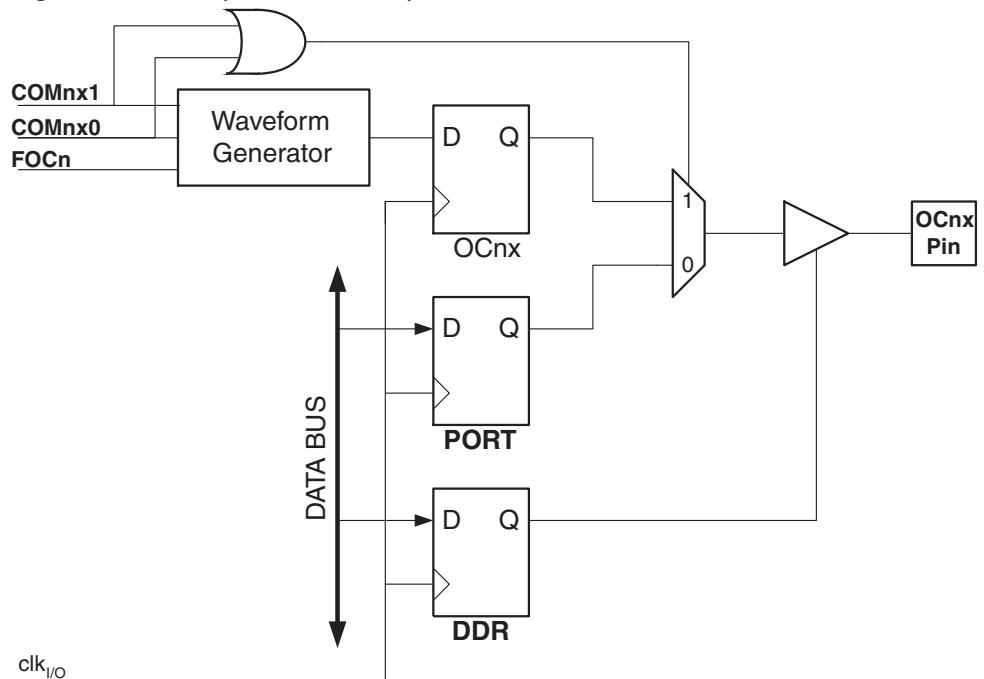
## 21.7 Compare Match Output Unit

The Compare Output mode (COM2x1:0) bits have two functions. The Waveform Generator uses the COM2x1:0 bits for defining the Output Compare (OC2x) state at the next compare match. Also, the COM2x1:0 bits control the OC2x pin output source. Figure 20-7 shows a simplified schematic of the logic affected by the COM2x1:0 bit setting. The I/O Registers, I/O bits, and I/O pins in the figure are shown in bold. Only the parts of the general I/O Port Control Registers (DDR and PORT) that are affected by the COM2x1:0 bits are shown. When referring to the OC2x state, the reference is for the internal OC2x Register, not the OC2x pin.

The general I/O port function is overridden by the Output Compare (OC2x) from the Waveform Generator if either of the COM2x1:0 bits are set. However, the OC2x pin direction (input or output) is still controlled by the Data Direction Register (DDR) for the port pin. The Data Direction Register bit for the OC2x pin (DDR\_OC2x) must be set as output before the OC2x value is visible on the pin. The port override function is independent of the Waveform Generation mode.

The design of the Output Compare pin logic allows initialization of the OC2x state before the output is enabled. Note that some COM2x1:0 bit settings are reserved for certain modes of operation. See section "[Register Description](#)" on page 354 for details.

**Figure 21-7. Compare Match Output Unit, Schematic**



## 21.7.1 Compare Output Mode and Waveform Generation

The Waveform Generator uses the COM2x1:0 bits differently in normal, CTC, and PWM modes. Setting the COM2x1:0 = 0 for all modes tells the Waveform Generator that no action on the OC2x Register is to be performed on the next compare match. For compare output actions in the non-PWM modes for fast PWM mode and for phase correct PWM refer to section "Register Description" on page 354 for register TCCR2A. A change of the COM2x1:0 bits state will have effect at the first compare match after the bits are written. For non-PWM modes, the action can be forced to have immediate effect by using the FOC2x strobe bits.

The following table shows the COM2x1:0 bit functionality when the WGM02:0 bits are set to a normal or CTC mode (non-PWM).

**Table 21-3. Compare Output Mode, non-PWM Mode**

| COM2x1 | COM2x0 | Description                               |
|--------|--------|---|
| 0      | 0      | Normal port operation, OC2x disconnected; |
| 0      | 1      | Toggle OC2x on Compare Match;             |
| 1      | 0      | Clear OC2x on Compare Match;              |
| 1      | 1      | Set OC2x on Compare Match;                |

Table 17-3 shows the COM2x1:0 bit functionality when the WGM21:0 bits are set to fast PWM mode.

**Table 21-4. Compare Output Mode, Fast PWM Mode**

| COM2x1 | COM2x0 | Description  |
|--------|--------|--|
| 0      | 0      | Normal port operation, OC2x disconnected.  |
| 0      | 1      | WGM22 = 0: Normal Port Operation, OC2A Disconnected.<br>WGM22 = 1: Toggle OC2A on Compare Match.<br>OC2B: not applicable, reserved function; |

| COM2x1 | COM2x0 | Description  |
|--------|--------|--|
| 1      | 0      | Clear OC2x on Compare Match, set OC2x at BOTTOM, (non-inverting mode). |
| 1      | 1      | Set OC2x on Compare Match, clear OC2x at BOTTOM, (inverting mode).     |

Note: 1. A special case occurs when OCR2x equals TOP and COM2x1 is set. In this case, the Compare Match is ignored, but the set or clear is done at BOTTOM. See ["Fast PWM Mode" on page 343](#).

Table 17-4 shows the COM2x1:0 bit functionality when the WGM22:0 bits are set to phase correct PWM mode.

**Table 21-5. Compare Output Mode, Phase Correct PWM Mode**

| COM2x1 | COM2x0 | Description  |
|--------|--------|--|
| 0      | 0      | Normal port operation, OC2x disconnected.  |
| 0      | 1      | WGM22 = 0: Normal Port Operation, OC2A Disconnected.<br>WGM22 = 1: Toggle OC2A on Compare Match.<br>OC2B: not applicable, reserved function; |
| 1      | 0      | Clear OC2x on Compare Match when up-counting. Set OC2x on Compare Match when down-counting.  |
| 1      | 1      | Set OC2x on Compare Match when up-counting. Clear OC2x on Compare Match when down-counting.  |

Note: 1. A special case occurs when OCR2x equals TOP and COM2x1 is set. In this case, the Compare Match is ignored, but the set or clear is done at TOP. See ["Phase Correct PWM Mode" on page 344](#) for more details.

## 21.8 Timer/Counter Timing Diagrams

The following figures show the Timer/Counter in synchronous mode, and the timer clock ( $clk_{T2}$ ) is therefore shown as a clock enable signal. In asynchronous mode,  $clk_{I/O}$  should be replaced by the Timer/Counter Oscillator clock. The figures include information on when Interrupt Flags are set. [Figure 21-8 below](#) contains timing data for basic Timer/Counter operation. The figure shows the count sequence close to the MAX value in all modes other than phase correct PWM mode.

**Figure 21-8. Timer/Counter Timing Diagram, no Prescaling**

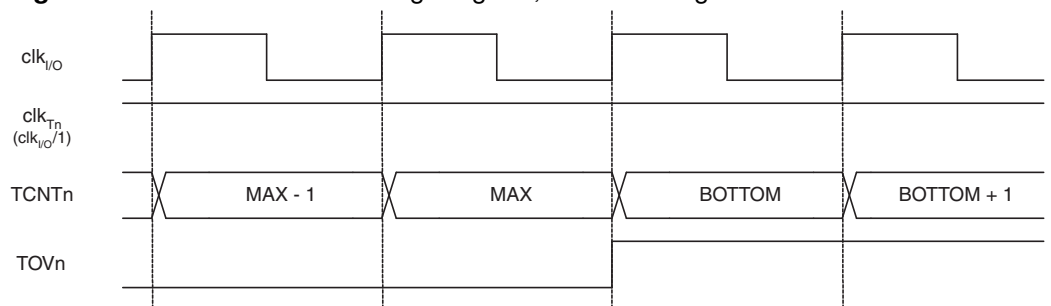


Figure 21-9 below shows the same timing data, but with the prescaler enabled.

**Figure 21-9. Timer/Counter Timing Diagram, with Prescaler ( $f_{clkI/O}/8$ )**

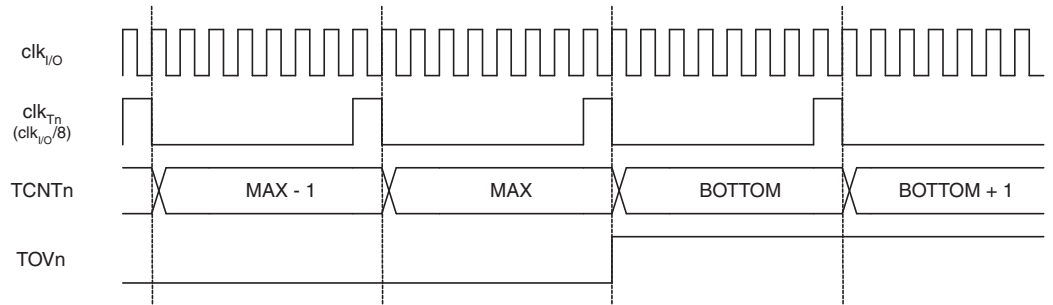


Figure 21-10 below shows the setting of OCF2A in all modes except CTC mode.

**Figure 21-10. Timer/Counter Timing Diagram, Setting of OCF2A, with Prescaler ( $f_{clkI/O}/8$ )**

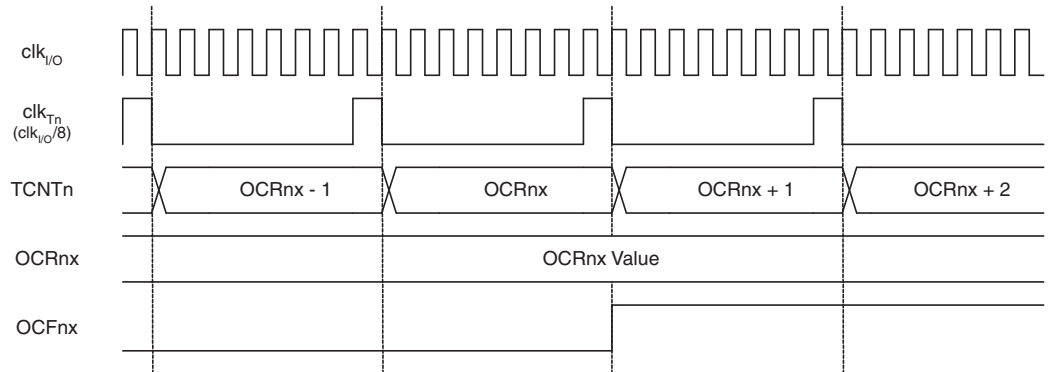
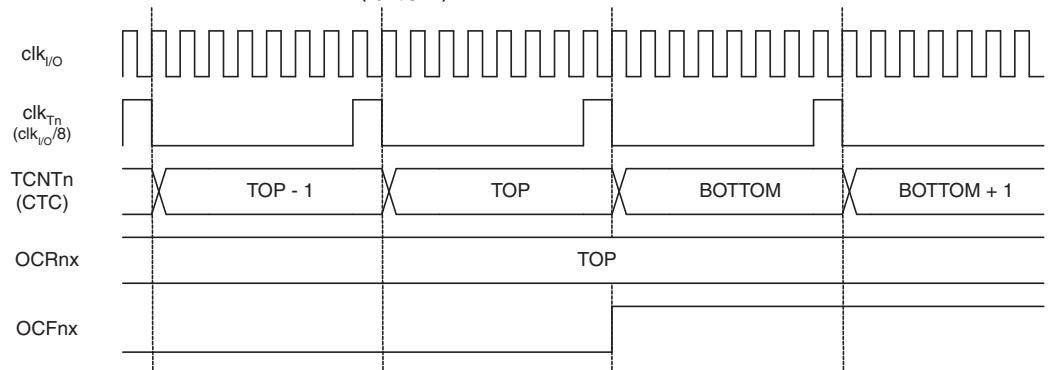


Figure 21-11 below shows the setting of OCF2A and the clearing of TCNT2 in CTC mode.

**Figure 21-11. Timer/Counter Timing Diagram, Clear Timer on Compare Match mode, with Prescaler ( $f_{clkI/O}/8$ )**



## 21.9 Asynchronous Operation of Timer/Counter2

When Timer/Counter2 operates asynchronously, some considerations must be taken.

- Warning: When switching between asynchronous and synchronous clocking of Timer/Counter2, the Timer Registers TCNT2, OCR2x, and TCCR2x might be corrupted. A safe procedure for switching clock source is:
  1. Disable the Timer/Counter2 interrupts by clearing OCIE2x and TOIE2.
  2. Select clock source by setting AS2 as appropriate.
  3. Write new values to TCNT2, OCR2x, and TCCR2x.
  4. To switch to asynchronous operation: Wait for TCN2UB, OCR2xUB, and TCR2xUB.
  5. Clear the Timer/Counter2 Interrupt Flags.
  6. Enable interrupts, if needed.
- The CPU main clock frequency must be more than four times the Oscillator frequency.
- When writing to one of the registers TCNT2, OCR2x, or TCCR2x, the value is transferred to a temporary register, and latched after two positive edges on TOSC1. The user should not write a new value before the contents of the temporary register have been transferred to its destination. Each of the five mentioned registers have their individual temporary register, which means that e.g. writing to TCNT2 does not disturb an OCR2x write in progress. To detect that a transfer to the destination register has taken place, the Asynchronous Status Register – ASSR has been implemented.
- When entering Power-save or ADC Noise Reduction mode after having written to TCNT2, OCR2x, or TCCR2x, the user must wait until the written register has been updated if Timer/Counter2 is used to wake up the device. Otherwise, the MCU will enter sleep mode before the changes are effective. This is particularly important if any of the Output Compare2 interrupt is used to wake up the device, since the Output Compare function is disabled during writing to OCR2x or TCNT2. If the write cycle is not finished, and the MCU enters sleep mode before the corresponding OCR2xUB bit returns to zero, the device will never receive a compare match interrupt, and the MCU will not wake up.
- If Timer/Counter2 is used to wake the device up from Power-save or ADC Noise Reduction mode, precautions must be taken if the user wants to re-enter one of these modes: The interrupt logic needs one TOSC1 cycle to be reset. If the time between wake-up and re-entering sleep mode is less than one TOSC1 cycle, the interrupt will not occur, and the device will fail to wake up. If the user is in doubt whether the time before re-entering Power-save or ADC Noise Reduction mode is sufficient, the following algorithm can be used to ensure that one TOSC1 cycle has elapsed:
  1. Write a value to TCCR2x, TCNT2, or OCR2x.
  2. Wait until the corresponding Update Busy Flag in ASSR returns to zero. .
  3. Enter Power-save or ADC Noise Reduction mode.

### C Code Example (Fragment)<sup>(1)</sup>

```
ISR( TIMER2_OVF_vect ) {...} // TC2 overflow IRQ service routine

int main(void) {
    ...
    ASSR   = 1<<AS2;           // turn on 32kHz crystal oscillator
    TIMSK2 = 1<<TOIE2;        // enable TC2 overflow interrupt
    TCCR2B = 0x05;            // divide clock by 128 (1s interrupts)
    do
        {} while(ASSR & (1<<TCR2BUB)); // check if busy
```

**C Code Example (Fragment)<sup>(1)</sup>**

```

...
do {                                     // main loop
    ...
    TRXPR = 1 << SLPTR;                 // disable transceiver
    set_sleep_mode(SLEEP_MODE_PWR_SAVE);
    TCNT2 = 0;                          // reset counter
    do                                  // check if busy before sleeping
        {} while (ASSR & (1<<TCN2UB));
    sleep_enable();
        sleep_cpu();                   // go to deep-sleep (power-
save)
    sleep_disable();                    // executed after wakeup
    ...
}
...
}

```

Notes: 1. See section ["About Code Examples" on page 8](#).

- When the asynchronous operation is selected, the 32.768 kHz Oscillator for Timer/Counter2 is always running, except in Power-down and Standby modes. After a Power-up Reset or wake-up from Power-down or Standby mode, the user should be aware of the fact that this Oscillator might take as long as one second to stabilize. The user is advised to wait for at least one second before using Timer/Counter2 after power-up or wake-up from Power-down or Standby mode. The contents of all Timer/Counter2 Registers must be considered lost after a wake-up from Power-down or Standby mode due to unstable clock signal upon start-up, no matter whether the Oscillator is in use or a clock signal is applied to the TOSC1 pin.
- Description of wake up from Power-save or ADC Noise Reduction mode when the timer is clocked asynchronously: When the interrupt condition is met, the wake up process is started on the following cycle of the timer clock, that is, the timer is always advanced by at least one before the processor can read the counter value. After wake-up, the MCU is halted for four cycles, it executes the interrupt routine, and resumes execution from the instruction following SLEEP.
- Reading of the TCNT2 Register shortly after wake-up from Power-save may give an incorrect result. Since TCNT2 is clocked on the asynchronous TOSC clock, reading TCNT2 must be done through a register synchronized to the internal I/O clock domain. Synchronization takes place for every rising TOSC1 edge. When waking up from Power-save mode, and the I/O clock (clk<sub>I/O</sub>) again becomes active, TCNT2 will read as the previous value (before entering sleep) until the next rising TOSC1 edge. The phase of the TOSC clock after waking up from Power-save mode is essentially unpredictable, as it depends on the wake-up time. The recommended procedure for reading TCNT2 is thus as follows:
  1. Write any value to either of the registers OCR2x or TCCR2x.
  2. Wait for the corresponding Update Busy Flag to be cleared.
  3. Read TCNT2.
- During asynchronous operation, the synchronization of the Interrupt Flags for the asynchronous timer takes 3 processor cycles plus one timer cycle. The timer is therefore advanced by at least one before the processor can read the timer value

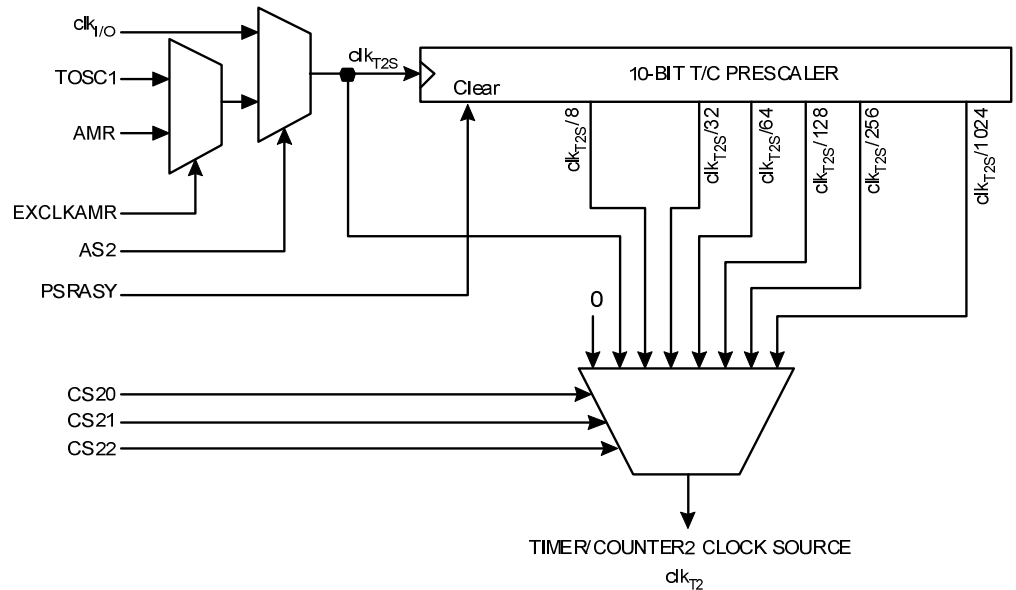


causing the setting of the Interrupt Flag. The Output Compare pin is changed on the timer clock and is not synchronized to the processor clock.

- If the CPU wakes up from asynchronous timer and goes back to sleep again, it may wakeup multiple times or the IRQ is called multiple times. This may be avoided if the CPU waits with the next sleep instruction until the next asynchronous clock arrives.

## 21.10 Timer/Counter Prescaler

**Figure 21-12.** Prescaler for Timer/Counter2



The register ASSR defines the clock source for the asynchronous Timer/Counter2. The clock source for Timer/Counter2 is named  $clk_{T2S}$ .  $clk_{T2S}$  is by default connected to the main system I/O clock  $clk_{I/O}$ . By setting the AS2 bit in ASSR, Timer/Counter2 is asynchronously clocked either from the TOSC1 or from the AMR pin. This enables the use of Timer/Counter2 as a Real Time Counter (RTC).

The TOSC1 pin is selected by setting the EXCLKAMR bit in the ASSR register to logic zero. Under this condition TOSC1 and TOSC2 are disconnected from Port G and a crystal can then be connected between the TOSC1 and TOSC2 pins to serve as an independent clock source for Timer/Counter2. The Oscillator is optimized for use with a 32.768 kHz crystal. By setting the EXCLK bit in the ASSR, a 32 kHz external clock can be applied on TOSC1.

Setting the EXCLKAMR bit to logic one selects the AMR pin as the Timer/Counter2 clock source. Thus the 32 kHz oscillator can be used by the MAC symbol counter while the Timer/Counter2 uses pin AMR as clock source, see ["MAC Symbol Counter" on page 155](#).

A complete overview of the implemented asynchronous clock sources can be found in [Table 21-6 on page 354](#). The last column mentions which pins are available for GPIO functionality. For details about the ASSR register refer to section ["Register Description" on page 354](#).

For Timer/Counter2, the possible pre-scaled selections are:  $clk_{T2S}/8$ ,  $clk_{T2S}/32$ ,  $clk_{T2S}/64$ ,  $clk_{T2S}/128$ ,  $clk_{T2S}/256$ , and  $clk_{T2S}/1024$ . Additionally,  $clk_{T2S}$  as well as 0 (stop) may be selected. Setting the PSRASY bit in GTCCR resets the prescaler. This allows the user to operate with a predictable prescaler.

**Table 21-6.** Asynchronous clock selection for Timer/Counter2 and Symbol-Counter

| AS2 | EXCLK | EXCLKAMR | Timer/Counter2 clock source | 32 kHz crystal Osc. (TOSC1/TOSC2) | PG2, PG3, PG4 as GPIOs |
|-----|-------|----------|-----------------------------|-----------------------------------|------------------------|
| 0   | 0     | 0        | clk/O                       | off                               | PG2, PG3, PG4          |
| 0   | 1     | 0        | not defined                 | not defined                       | not defined            |
| 1   | 0     | 0        | 32 kHz crystal Osc          | on                                | PG2                    |
| 1   | 1     | 0        | TOSC1 (PG4)                 | off                               | PG2, PG3               |
| 0   | 0     | 1        | clk/O                       | off                               | PG2, PG3, PG4          |
| 0   | 1     | 1        | not defined                 | not defined                       | not defined            |
| 1   | 0     | 1        | AMR (PG2)                   | on                                |                        |
| 1   | 1     | 1        | AMR (PG2)                   | off                               | PG3, PG4               |

## 21.11 Register Description

### 21.11.1 TIMSK2 – Timer/Counter Interrupt Mask register

| Bit           | 7           | 6           | 5           | 4           | 3           | 2             | 1             | 0            |               |
|---------------|-------------|-------------|-------------|-------------|-------------|---------------|---------------|--------------|---------------|
| NA (\$70)     | <b>Res4</b> | <b>Res3</b> | <b>Res2</b> | <b>Res1</b> | <b>Res0</b> | <b>OCIE2B</b> | <b>OCIE2A</b> | <b>TOIE2</b> | <b>TIMSK2</b> |
| Read/Write    | R           | R           | R           | R           | R           | RW            | RW            | RW           |               |
| Initial Value | 0           | 0           | 0           | 0           | 0           | 0             | 0             | 0            |               |

- **Bit 7:3 – Res4:0 - Reserved Bit**

This bit is reserved for future use. A read access always will return zero. A write access does not modify the content.

- **Bit 2 – OCIE2B - Timer/Counter2 Output Compare Match B Interrupt Enable**

When the OCIE2B bit is written to one and the I-bit in the Status Register is set (one), the Timer/Counter2 Compare Match B interrupt is enabled. The corresponding interrupt is executed if a compare match in Timer/Counter2 occurs, i.e., when the OCF2B bit is set in the Timer/Counter2 Interrupt Flag Register TIFR2.

- **Bit 1 – OCIE2A - Timer/Counter2 Output Compare Match A Interrupt Enable**

When the OCIE2A bit is written to one and the I-bit in the Status Register is set (one), the Timer/Counter2 Compare Match A interrupt is enabled. The corresponding interrupt is executed if a compare match in Timer/Counter2 occurs, i.e., when the OCF2A bit is set in the Timer/Counter2 Interrupt Flag Register TIFR2.

- **Bit 0 – TOIE2 - Timer/Counter2 Overflow Interrupt Enable**

When the TOIE2 bit is written to one and the I-bit in the Status Register is set (one), the Timer/Counter2 Overflow interrupt is enabled. The corresponding interrupt is executed if an overflow in Timer/Counter2 occurs i.e., when the TOV2 bit is set in the Timer/Counter2 Interrupt Flag Register TIFR2.

### 21.11.2 TIFR2 – Timer/Counter Interrupt Flag Register

| Bit           | 7           | 6           | 5           | 4           | 3           | 2            | 1            | 0           |              |
|---------------|-------------|-------------|-------------|-------------|-------------|--------------|--------------|-------------|--------------|
| \$17 (\$37)   | <b>Res4</b> | <b>Res3</b> | <b>Res2</b> | <b>Res1</b> | <b>Res0</b> | <b>OCF2B</b> | <b>OCF2A</b> | <b>TOV2</b> | <b>TIFR2</b> |
| Read/Write    | R           | R           | R           | R           | R           | RW           | RW           | RW          |              |
| Initial Value | 0           | 0           | 0           | 0           | 0           | 0            | 0            | 0           |              |

- **Bit 7:3 – Res4:0 - Reserved Bit**

This bit is reserved for future use. A read access always will return zero. A write access does not modify the content.

- **Bit 2 – OCF2B - Output Compare Flag 2 B**

The OCF2B bit is set (one) when a compare match occurs between the Timer/Counter2 and the data in OCR2B Output Compare Register2. OCF2B is cleared by hardware when executing the corresponding interrupt handling vector. Alternatively, OCF2B is cleared by writing a logic one to the flag. When the I-bit in SREG, OCIE2B (Timer/Counter2 Compare Match Interrupt Enable), and OCF2B are set (one), the Timer/Counter2 Compare Match Interrupt is executed.

- **Bit 1 – OCF2A - Output Compare Flag 2 A**

The OCF2A bit is set (one) when a compare match occurs between the Timer/Counter2 and the data in OCR2A Output Compare Register2. OCF2A is cleared by hardware when executing the corresponding interrupt handling vector. Alternatively, OCF2A is cleared by writing a logic one to the flag. When the I-bit in SREG, OCIE2A (Timer/Counter2 Compare Match Interrupt Enable), and OCF2A are set (one), the Timer/Counter2 Compare Match Interrupt is executed.

- **Bit 0 – TOV2 - Timer/Counter2 Overflow Flag**

The TOV2 bit is set (one) when an overflow occurs in Timer/Counter2. TOV2 is cleared by hardware when executing the corresponding interrupt handling vector. Alternatively, TOV2 is cleared by writing a logic one to the flag. When the SREG I-bit, TOIE2A (Timer/Counter2 Overflow Interrupt Enable), and TOV2 are set (one), the Timer/Counter2 Overflow interrupt is executed. In PWM mode, this bit is set when Timer/Counter2 changes counting direction at 0x00.

### 21.11.3 TCCR2A – Timer/Counter2 Control Register A

|               |   |    |    |    |   |   |    |    |        |
|---------------|---|----|----|----|---|---|----|----|--------|
| Bit           | 7   | 6  | 5  | 4  | 3 | 2 | 1  | 0  |        |
| NA (\$B0)     | COM2A1 COM2A0 COM2B1 COM2B0 Res1 Res0 WGM21 WGM20 |    |    |    |   |   |    |    | TCCR2A |
| Read/Write    | RW  | RW | RW | RW | R | R | RW | RW |        |
| Initial Value | 0   | 0  | 0  | 0  | 0 | 0 | 0  | 0  |        |

- **Bit 7:6 – COM2A1:0 - Compare Match Output A Mode**

These bits control the Output Compare pin (OC2A) behavior. If one or both of the COM2A1:0 bits are set, the OC2A output overrides the normal port functionality of the I/O pin it is connected to. However, note that the Data Direction Register (DDR) bit corresponding to the OC2A pin must be set in order to enable the output driver. When OC2A is connected to the pin, the function of the COM2A1:0 bits depends on the WGM22:20 bit settings. The following table shows the COM2A1:0 bit functionality when the WGM22:20 bits are set to a normal or CTC mode (non-PWM). Refer to section "Compare Match Output Unit" for a description of the functionality in the other modes.

**Table 21-7** COM2A Register Bits

| Register Bits | Value | Description                              |
|---------------|-------|--|
| COM2A1:0      | 0     | Normal port operation, OC2A disconnected |
|               | 1     | Toggle OC2A on Compare Match             |
|               | 2     | Clear OC2A on Compare Match              |

| Register Bits | Value | Description               |
|---------------|-------|---------------------------|
|               | 3     | Set OC2A on Compare Match |

- **Bit 5:4 – COM2B1:0 - Compare Match Output B Mode**

These bits control the Output Compare pin (OC2B) behavior. If one or both of the COM2B1:0 bits are set, the OC2B output overrides the normal port functionality of the I/O pin it is connected to. However, note that the Data Direction Register (DDR) bit corresponding to the OC2B pin must be set in order to enable the output driver. When OC2B is connected to the pin, the function of the COM2B1:0 bits depends on the WGM22:20 bit settings. The following table shows the COM2B1:0 bit functionality when the WGM22:20 bits are set to a normal or CTC mode (non-PWM). Refer to section "Compare Match Output Unit" for a description of the functionality in the other modes.

**Table 21-8** COM2B Register Bits

| Register Bits | Value | Description                              |
|---------------|-------|--|
| COM2B1:0      | 0     | Normal port operation, OC2B disconnected |
|               | 1     | Toggle OC2B on Compare Match             |
|               | 2     | Clear OC2B on Compare Match              |
|               | 3     | Set OC2B on Compare Match                |

- **Bit 3:2 – Res1:0 - Reserved**

- **Bit 1:0 – WGM21:20 - Waveform Generation Mode**

Combined with the WGM22 bit found in the TCCR2B Register, these bits control the counting sequence of the counter, the source for maximum (TOP) counter value, and what type of waveform generation to be used. Modes of operation supported by the Timer/Counter2 unit are: Normal mode (counter), Clear Timer on Compare Match (CTC) mode, and two types of Pulse Width Modulation (PWM) modes (see section "Modes of Operation" for details).

**Table 21-9** WGM2 Register Bits

| Register Bits | Value | Description                    |
|---------------|-------|--------------------------------|
| WGM22:20      | 0x0   | Normal mode of operation       |
|               | 0x1   | PWM, phase correct, TOP=0xFF   |
|               | 0x2   | CTC, TOP = OCRA                |
|               | 0x3   | Fast PWM, TOP=0xFF             |
|               | 0x4   | Reserved                       |
|               | 0x5   | PWM, Phase correct, TOP = OCRA |
|               | 0x6   | Reserved                       |
|               | 0x7   | Fast PWM, TOP=OCRA             |

### 21.11.4 TCCR2B – Timer/Counter2 Control Register B

|               |              |              |             |             |              |             |             |             |        |
|---------------|--------------|--------------|-------------|-------------|--------------|-------------|-------------|-------------|--------|
| Bit           | 7            | 6            | 5           | 4           | 3            | 2           | 1           | 0           |        |
| NA (\$B1)     | <b>FOC2A</b> | <b>FOC2B</b> | <b>Res1</b> | <b>Res0</b> | <b>WGM22</b> | <b>CS22</b> | <b>CS21</b> | <b>CS20</b> | TCCR2B |
| Read/Write    | RW           | RW           | RW          | RW          | RW           | RW          | RW          | RW          |        |
| Initial Value | 0            | 0            | 0           | 0           | 0            | 0           | 0           | 0           |        |

- **Bit 7 – FOC2A - Force Output Compare A**

The FOC2A bit is only active when the WGM bits specify a non-PWM mode. However, for ensuring compatibility with future devices, this bit must be set to zero when TCCR2B is written in PWM mode operation. When writing a logical one to the FOC2A bit, an immediate Compare Match is forced on the Waveform Generation unit. The OC2A output is changed according to its COM2A1:0 bits setting. Note that the FOC2A bit is implemented as a strobe. Therefore it is the value present in the COM2A1:0 bits that determines the effect of the forced compare. A FOC2A strobe will not generate any interrupt, nor will it clear the timer in CTC mode using OCR2A as TOP. The FOC2A bit is always read as zero.

- **Bit 6 – FOC2B - Force Output Compare B**

The FOC2B bit is only active when the WGM bits specify a non-PWM mode. However, for ensuring compatibility with future devices, this bit must be set to zero when TCCR2B is written in PWM mode operation. When writing a logical one to the FOC2B bit, an immediate Compare Match is forced on the Waveform Generation unit. The OC2B output is changed according to its COM2B1:0 bits setting. Note that the FOC2B bit is implemented as a strobe. Therefore it is the value present in the COM2B1:0 bits that determines the effect of the forced compare. A FOC2B strobe will not generate any interrupt, nor will it clear the timer in CTC mode using OCR2B as TOP. The FOC2B bit is always read as zero.

- **Bit 5:4 – Res1:0 - Reserved**

- **Bit 3 – WGM22 - Waveform Generation Mode**

Combined with the WGM21:20 bits found in the TCCR2A Register, this bit controls the counting sequence of the counter, the source for maximum (TOP) counter value, and what type of waveform generation to be used. See description of "TCCR2A - Timer/Counter2 Control Register A" for details.

- **Bit 2:0 – CS22:20 - Clock Select**

The three Clock Select bits select the clock source to be used by the Timer/Counter2. If external pin modes are used for the Timer/Counter2, transitions on the T2 pin will clock the counter even if the pin is configured as an output. This feature allows software control of the counting.

**Table 21-10** CS2 Register Bits

| Register Bits | Value | Description                              |
|---------------|-------|--|
| CS22:20       | 0x00  | No clock source (Timer/Counter2 stopped) |
|               | 0x01  | clkT2S/1 (no prescaling)                 |
|               | 0x02  | clkT2S/8 (from prescaler)                |
|               | 0x03  | clkT2S/32 (from prescaler)               |
|               | 0x04  | clkT2S/64 (from prescaler)               |
|               | 0x05  | clkT2S/128 (from prescaler)              |
|               | 0x06  | clkT2S/256 (from prescaler)              |
|               | 0x07  | clkT2S/1024 (from prescaler)             |

## 21.11.5 TCNT2 – Timer/Counter2

|               |           |    |    |    |    |    |    |    |       |
|---------------|-----------|----|----|----|----|----|----|----|-------|
| Bit           | 7         | 6  | 5  | 4  | 3  | 2  | 1  | 0  |       |
| NA (\$B2)     | TCNT27:20 |    |    |    |    |    |    |    | TCNT2 |
| Read/Write    | RW        | RW | RW | RW | RW | RW | RW | RW | RW    |
| Initial Value | 0         | 0  | 0  | 0  | 0  | 0  | 0  | 0  | 0     |

The Timer/Counter Register gives direct access, both for read and write operations, to the 8-bit counter unit of the Timer/Counter2. Writing to the TCNT2 Register blocks (removes) the Compare Match on the following timer clock. Modifying the counter (TCNT2) while the counter is running, introduces a risk of missing a Compare Match between TCNT2 and the OCR2x Registers.

- **Bit 7:0 – TCNT27:20 - Timer/Counter2 Byte**

### 21.11.6 OCR2A – Timer/Counter2 Output Compare Register A

|               |                 |    |    |    |    |    |    |    |              |
|---------------|-----------------|----|----|----|----|----|----|----|--------------|
| Bit           | 7               | 6  | 5  | 4  | 3  | 2  | 1  | 0  |              |
| NA (\$B3)     | <b>OCR2A7:0</b> |    |    |    |    |    |    |    | <b>OCR2A</b> |
| Read/Write    | RW              | RW | RW | RW | RW | RW | RW | RW |              |
| Initial Value | 0               | 0  | 0  | 0  | 0  | 0  | 0  | 0  |              |

The Output Compare Register A contains an 8-bit value that is continuously compared with the counter value (TCNT2). A match can be used to generate an Output Compare interrupt, or to generate a waveform output on the OC2A pin.

- **Bit 7:0 – OCR2A7:0 - Output Compare Register**

### 21.11.7 OCR2B – Timer/Counter2 Output Compare Register B

|               |                 |    |    |    |    |    |    |    |              |
|---------------|-----------------|----|----|----|----|----|----|----|--------------|
| Bit           | 7               | 6  | 5  | 4  | 3  | 2  | 1  | 0  |              |
| NA (\$B4)     | <b>OCR2B7:0</b> |    |    |    |    |    |    |    | <b>OCR2B</b> |
| Read/Write    | RW              | RW | RW | RW | RW | RW | RW | RW |              |
| Initial Value | 0               | 0  | 0  | 0  | 0  | 0  | 0  | 0  |              |

The Output Compare Register B contains an 8-bit value that is continuously compared with the counter value (TCNT2). A match can be used to generate an Output Compare interrupt, or to generate a waveform output on the OC2B pin.

- **Bit 7:0 – OCR2B7:0 - Output Compare Register**

### 21.11.8 ASSR – Asynchronous Status Register

|            |                 |              |            |               |                |                |                |                |             |
|------------|-----------------|--------------|------------|---------------|----------------|----------------|----------------|----------------|-------------|
| Bit        | 7               | 6            | 5          | 4             | 3              | 2              | 1              | 0              |             |
| NA (\$B6)  | <b>EXCLKAMR</b> | <b>EXCLK</b> | <b>AS2</b> | <b>TCN2UB</b> | <b>OCR2AUB</b> | <b>OCR2BUB</b> | <b>TCR2AUB</b> | <b>TCR2BUB</b> | <b>ASSR</b> |
| Read/Write | RW              | RW           | RW         | R             | R              | R              | R              | R              |             |
| Initial    | 0               | 0            | 0          | 0             | 0              | 0              | 0              | 0              |             |

The register ASSR controls the asynchronous clocks for Timer/Counter2 and enables the asynchronous 32kHz clock for the symbol counter. Three bits (AS2, EXCLK, EXCLKAMR) are used to control the clocks. Note, to prevent clock spikes on asynchronous clock wires, every access to ASSR should change only one of the three bits.

- **Bit 7 – EXCLKAMR - Enable External Clock Input for AMR**

The bit EXCLKAMR extends the available clock sources for Timer/Counter2. If this bit is written to one, and asynchronous clock is selected (bit AS2 set), AMR functionality is enabled and Timer/Counter2 is clocked by pin AMR.

- **Bit 6 – EXCLK - Enable External Clock Input**

When EXCLK is written to one, and asynchronous clock is selected, the external clock input buffer is enabled and an external clock can be input on Timer Oscillator 1 (TOSC1) pin instead of a 32 kHz crystal. Writing to EXCLK should be done before asynchronous operation is selected. Note that the crystal Oscillator will only run when this bit is zero.

- **Bit 5 – AS2 - Timer/Counter2 Asynchronous Mode**

When AS2 is written to zero, Timer/Counter2 is clocked from the I/O clock, clkI/O. When AS2 is written to one, Timer/Counter2 is clocked from a crystal Oscillator connected to the Timer Oscillator 1 (TOSC1) pin. When the value of AS2 is changed, the contents of TCNT2, OCR2A, OCR2B, TCCR2A and TCCR2B might be corrupted.

- **Bit 4 – TCNT2UB - Timer/Counter2 Update Busy**

When Timer/Counter2 operates asynchronously and TCNT2 is written, this bit becomes set. When TCNT2 has been updated from the temporary storage register, this bit is cleared by hardware. A logical zero in this bit indicates that TCNT2 is ready to be updated with a new value.

- **Bit 3 – OCR2AUB - Timer/Counter2 Output Compare Register A Update Busy**

When Timer/Counter2 operates asynchronously and OCR2A is written, this bit becomes set. When OCR2A has been updated from the temporary storage register, this bit is cleared by hardware. A logical zero in this bit indicates that OCR2A is ready to be updated with a new value.

- **Bit 2 – OCR2BUB - Timer/Counter2 Output Compare Register B Update Busy**

When Timer/Counter2 operates asynchronously and OCR2B is written, this bit becomes set. When OCR2B has been updated from the temporary storage register, this bit is cleared by hardware. A logical zero in this bit indicates that OCR2B is ready to be updated with a new value.

- **Bit 1 – TCR2AUB - Timer/Counter2 Control Register A Update Busy**

When Timer/Counter2 operates asynchronously and TCCR2A is written, this bit becomes set. When TCCR2A has been updated from the temporary storage register, this bit is cleared by hardware. A logical zero in this bit indicates that TCCR2A is ready to be updated with a new value.

- **Bit 0 – TCR2BUB - Timer/Counter2 Control Register B Update Busy**

When Timer/Counter2 operates asynchronously and TCCR2B is written, this bit becomes set. When TCCR2B has been updated from the temporary storage register, this bit is cleared by hardware. A logical zero in this bit indicates that TCCR2B is ready to be updated with a new value.

## 21.11.9 GTCCR – General Timer Counter Control register

| Bit           | 7   | 6 | 5 | 4 | 3 | 2 | 1       | 0 |       |
|---------------|-----|---|---|---|---|---|---------|---|-------|
| \$23 (\$43)   | TSM |   |   |   |   |   | PSRASYS |   | GTCCR |
| Read/Write    | RW  |   |   |   |   |   | RW      |   |       |
| Initial Value | 0   |   |   |   |   |   | 0       |   |       |

- **Bit 7 – TSM - Timer/Counter Synchronization Mode**

Writing the TSM bit to one activates the Timer/Counter Synchronization mode. In this mode the value that is written to the PSRASY and PSRSYNC bits is kept, hence keeping the corresponding prescaler reset signals asserted. This ensures that the corresponding Timer/Counters are halted and can be configured to the same value without the risk of one of them advancing during the configuration. When the TSM bit is written to zero, the PSRASY and PSRSYNC bits are cleared by hardware and the Timer/Counters simultaneously start counting.

- **Bit 1 – PSRASY - Prescaler Reset Timer/Counter2**

When this bit is one, the Timer/Counter2 prescaler will be reset. This bit is normally cleared immediately by hardware. If the bit is written when Timer/Counter2 is operating in asynchronous mode, the bit will remain one until the prescaler has been reset. The bit will not be cleared by hardware if the TSM bit is set.



## 22 SPI- Serial Peripheral Interface

### 22.1 Features

The Serial Peripheral Interface (SPI) allows high-speed synchronous data transfer between the ATmega2564/1284/644RFR2 and peripheral devices or between several AVR devices.

The ATmega2564/1284/644RFR2 SPI includes the following features:

- **Full-duplex, Three-wire Synchronous Data Transfer**
- **Master or Slave Operation**
- **LSB First or MSB First Data Transfer**
- **Seven Programmable Bit Rates**
- **End of Transmission Interrupt Flag**
- **Write Collision Flag Protection**
- **Wake-up from Idle Mode**
- **Double Speed (CK/2) Master SPI Mode**

### 22.2 Functional Description

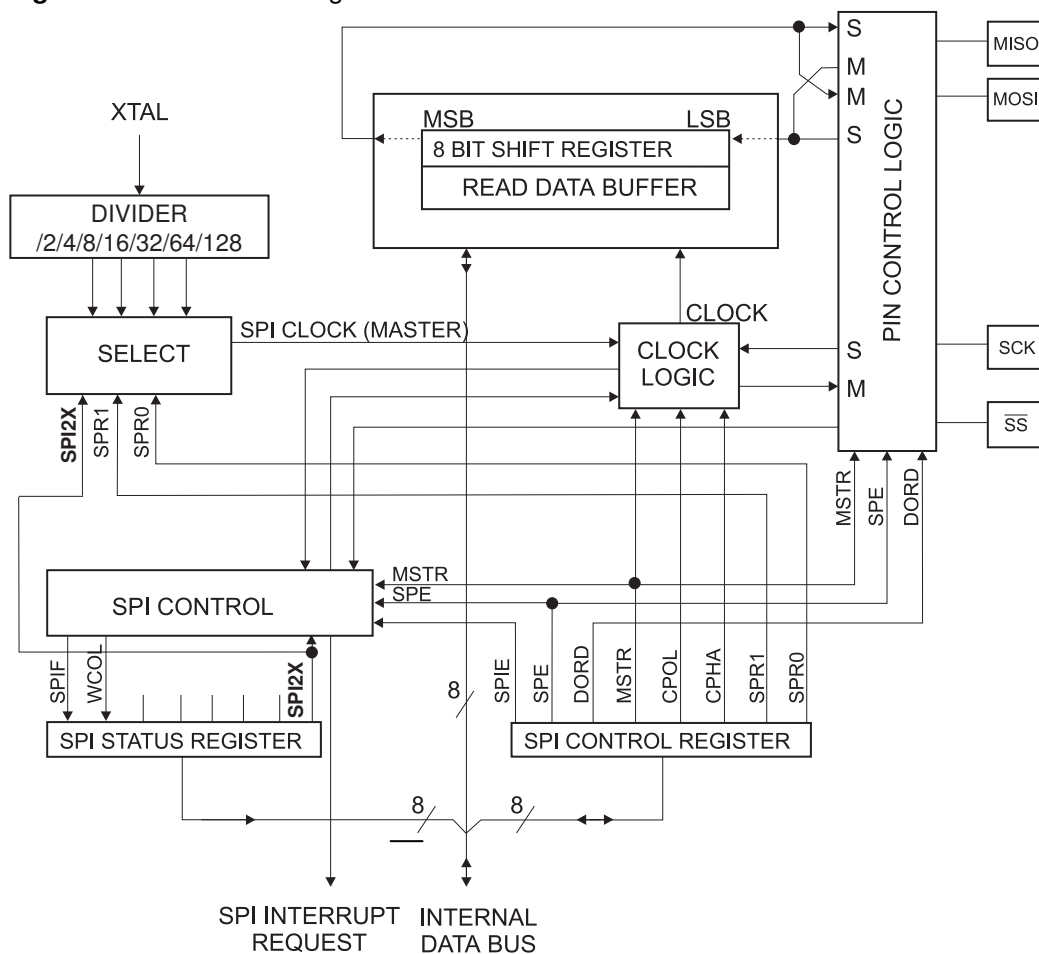
USART can also be used in Master SPI mode, see ["USART in SPI Mode" on page 399](#). The Power Reduction SPI bit, PRSPI, in ["PRR0 – Power Reduction Register0" on page 195](#) must be written to zero to enable SPI module. The block diagram of the SPI interface is shown in [Figure 22-1 on page 362](#).

The interconnection between Master and Slave CPUs with SPI is shown in [Figure 22-2 on page 362](#). The system consists of two shift Registers, and a Master clock generator. The SPI Master initiates the communication cycle when pulling low the Slave Select  $\overline{SS}$  pin of the desired Slave. Master and Slave prepare the data to be sent in their respective shift Registers, and the Master generates the required clock pulses on the SCK line to interchange data. Data is always shifted from Master to Slave on the Master Out – Slave In, MOSI, line, and from Slave to Master on the Master In – Slave Out, MISO, line. After each data packet, the Master will synchronize the Slave by pulling high the Slave Select,  $\overline{SS}$ , line.

When configured as a Master, the SPI interface has no automatic control of the  $\overline{SS}$  line. This must be handled by user software before communication can start. When this is done, writing a byte to the SPI Data Register starts the SPI clock generator, and the hardware shifts the eight bits into the Slave. After shifting one byte, the SPI clock generator stops, setting the end of Transmission Flag (SPIF). If the SPI Interrupt Enable bit (SPIE) in the SPCR Register is set, an interrupt is requested. The Master may continue to shift the next byte by writing it into SPDR, or signal the end of packet by pulling high the Slave Select,  $\overline{SS}$  line. The last incoming byte will be kept in the Buffer Register for later use.

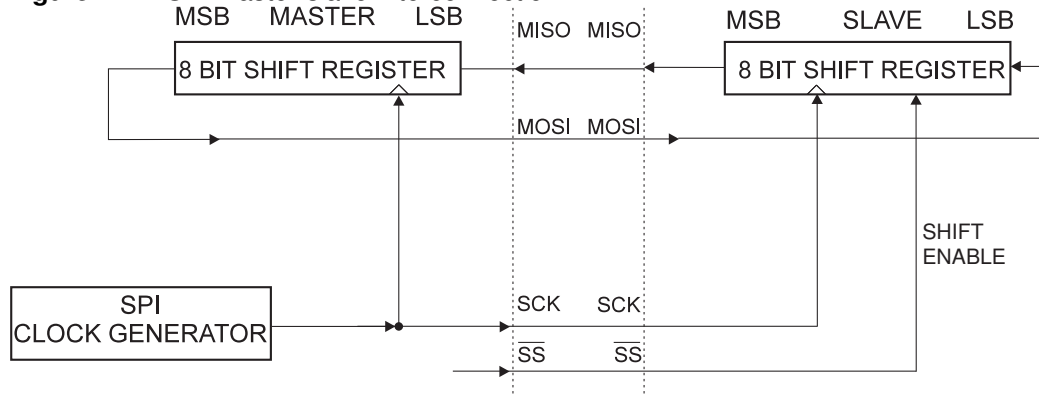
When configured as a Slave, the SPI interface will remain sleeping with MISO tri-stated as long as the  $\overline{SS}$  pin is driven high. In this state, software may update the contents of the SPI Data Register, SPDR, but the data will not be shifted out by incoming clock pulses on the SCK pin until the  $\overline{SS}$  pin is driven low. As one byte has been completely shifted, the end of Transmission Flag, SPIF is set. If the SPI Interrupt Enable bit, SPIE, in the SPCR Register is set, an interrupt is requested. The Slave may continue to place new data to be sent into SPDR before reading the incoming data. The last incoming byte will be kept in the Buffer Register for later use.

**Figure 22-1. SPI Block Diagram<sup>(1)</sup>**



Note: 1. Refer to [Figure 1-1 on page 2](#) and [Table 14-3 on page 224](#) for SPI pin placement.

**Figure 22-2. SPI Master-slave Interconnection**



The system is single buffered in the transmit direction and double buffered in the receive direction. This means that bytes to be transmitted cannot be written to the SPI Data Register before the entire shift cycle is completed. When receiving data, however, a received character must be read from the SPI Data Register before the next character has been completely shifted in. Otherwise, the first byte is lost. In SPI Slave mode, the

control logic will sample the incoming signal of the SCK pin. To ensure correct sampling of the clock signal, the minimum low and high periods should be:

Low period: longer than 2 CPU clock cycles  
 High period: longer than 2 CPU clock cycles

When the SPI is enabled, the data direction of the MOSI, MISO, SCK, and  $\overline{SS}$  pins is overridden according to Table 21-1. For more details on automatic port overrides, refer to ["Alternate Port Functions" on page 222](#).

**Table 22-1. Pin Overrides**<sup>(1)</sup>

| Pin             | Direction, Master SPI | Direction, Slave SPI |
|-----------------|-----------------------|----------------------|
| MOSI            | User Defined          | Input                |
| MISO            | Input                 | User Defined         |
| SCK             | User Defined          | Input                |
| $\overline{SS}$ | User Defined          | Input                |

Note: 1. See ["Alternate Functions of Port B" on page 223](#) for a detailed description of how to define the direction of the user defined SPI pins.

The following code examples show how to initialize the SPI as a Master and how to perform a simple transmission. DDR\_SPI in the examples must be replaced by the actual Data Direction Register controlling the SPI pins. DD\_MOSI, DD\_MISO and DD\_SCK must be replaced by the actual data direction bits for these pins. E.g. if MOSI is placed on pin PB5, replace DD\_MOSI with DDB5 and DDR\_SPI with DDRB.

**Assembly Code Example**<sup>(1)</sup>

```

SPI_MasterInit:
    ; Set MOSI and SCK output, all others input
    ldi r17, (1<<DD_MOSI) | (1<<DD_SCK)
    out DDR_SPI, r17
    ; Enable SPI, Master, set clock rate fck/16
    ldi r17, (1<<SPE) | (1<<MSTR) | (1<<SPR0)
    out SPCR, r17
    ret

SPI_MasterTransmit:
    ; Start transmission of data (r16)
    out SPDR, r16

Wait_Transmit:
    ; Wait for transmission complete
    sbis SPSR, SPIF
    rjmp Wait_Transmit
    ret
    
```

## C Code Example<sup>(1)</sup>

```

void SPI_MasterInit(void)
{
    /* Set MOSI and SCK output, all others input */
    DDR_SPI = (1<<DD_MOSI)|(1<<DD_SCK);
    /* Enable SPI, Master, set clock rate fck/16 */
    SPCR = (1<<SPE)|(1<<MSTR)|(1<<SPR0);
}

void SPI_MasterTransmit(char cData)
{
    /* Start transmission */
    SPDR = cData;
    /* Wait for transmission complete */
    while (!(SPSR & (1<<SPIF)))
    ;
}

```

Note: 1. See ["About Code Examples" on page 8](#)

## Assembly Code Example<sup>(1)</sup>

```

SPI_SlaveInit:
    ; Set MISO output, all others input
    ldi r17, (1<<DD_MISO)
    out DDR_SPI, r17
    ; Enable SPI
    ldi r17, (1<<SPE)
    out SPCR, r17
    ret

SPI_SlaveReceive:
    ; Wait for reception complete
    sbis SPSR, SPIF
    rjmp SPI_SlaveReceive
    ; Read received data and return
    in r16, SPDR
    ret

```

## C Code Example<sup>(1)</sup>

```

void SPI_SlaveInit(void)
{
    /* Set MISO output, all others input */
    DDR_SPI = (1<<DD_MISO);
    /* Enable SPI */
    SPCR = (1<<SPE);
}

char SPI_SlaveReceive(void)
{
    /* Wait for reception complete */
    while(!(SPSR & (1<<SPIF)))
    ;
    /* Return Data Register */
    return SPDR;
}

```

Note: 1. See ["About Code Examples" on page 8](#);

## 22.3 Pin Functionality Slave Select Pin $\overline{SS}$

### 22.3.1 Slave Mode

When the SPI is configured as a Slave, the Slave Select ( $\overline{SS}$ ) pin is always input. When  $\overline{SS}$  is held low, the SPI is activated, and MISO becomes an output if configured so by the user. All other pins are inputs. When  $\overline{SS}$  is driven high, all pins are inputs, and the SPI is passive, which means that it will not receive incoming data. Note that the SPI logic will be reset once the  $\overline{SS}$  pin is driven high. The  $\overline{SS}$  pin is useful for packet/byte synchronization to keep the slave bit counter synchronous with the master clock generator. When the  $\overline{SS}$  pin is driven high, the SPI slave will immediately reset the send and receive logic, and drop any partially received data in the Shift Register.

### 22.3.2 Master Mode

When the SPI is configured as a Master (MSTR in SPCR is set), the user can determine the direction of the  $\overline{SS}$  pin. If  $\overline{SS}$  is configured as an output, the pin is a general output pin which does not affect the SPI system. Typically, the pin will be driving the  $\overline{SS}$  pin of the SPI Slave. If  $\overline{SS}$  is configured as an input, it must be held high to ensure Master SPI operation. If the  $\overline{SS}$  pin is driven low by peripheral circuitry when the SPI is configured as a Master with the  $\overline{SS}$  pin defined as an input, the SPI system interprets this as another master selecting the SPI as a slave and starting to send data to it. To avoid bus contention, the SPI system takes the following actions:

1. The MSTR bit in SPCR is cleared and the SPI system becomes a Slave. As a result of the SPI becoming a Slave, the MOSI and SCK pins become inputs.
2. The SPIF Flag in SPSR is set, and if the SPI interrupt is enabled, and the I-bit in SREG is set, the interrupt routine will be executed.

Thus, when interrupt-driven SPI transmission is used in Master mode, and there exists a possibility that  $\overline{SS}$  is driven low, the interrupt should always check that the MSTR bit is still set. If the MSTR bit has been cleared by a slave select, it must be set by the user to re-enable SPI Master Mode.

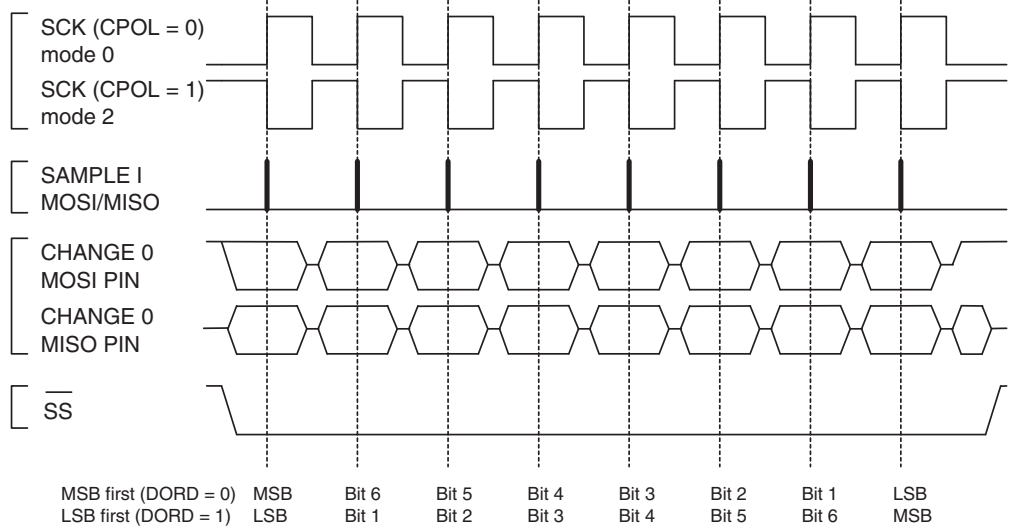
## 22.3.3 Data Mode

There are four combinations of SCK phase and polarity with respect to serial data, which are determined by control bits CPHA and CPOL. The SPI data transfer formats are shown in [Figure 22-3 below](#) and [Figure 22-4 below](#). Data bits are shifted out and latched in on opposite edges of the SCK signal, ensuring sufficient time for data signals to stabilize. This is clearly seen in the summary of [Table 22-2 below](#):

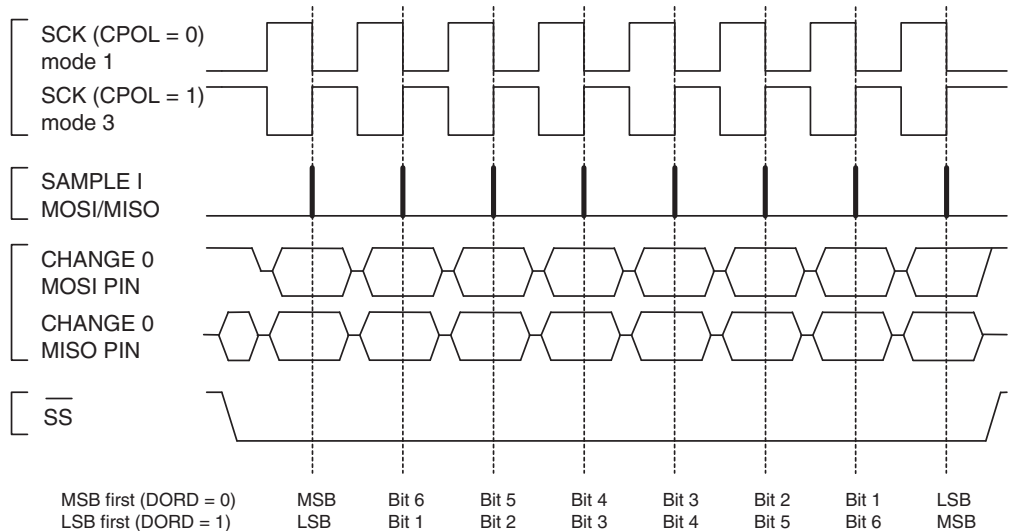
**Table 22-2. CPOL Functionality**

|                | Leading Edge     | Trailing Edge    | SPI Mode |
|----------------|------------------|------------------|----------|
| CPOL=0, CPHA=0 | Sample (Rising)  | Setup (Falling)  | 0        |
| CPOL=0, CPHA=1 | Setup (Rising)   | Sample (Falling) | 1        |
| CPOL=1, CPHA=0 | Sample (Falling) | Setup (Rising)   | 2        |
| CPOL=1, CPHA=1 | Setup (Falling)  | Sample (Rising)  | 3        |

**Figure 22-3. SPI Transfer Format with CPHA = 0**



**Figure 22-4. SPI Transfer Format with CPHA = 1**



## 22.4 Register Description

### 22.4.1 SPCR – SPI Control Register

| Bit           | 7           | 6  | 5  | 4  | 3  | 2  | 1  | 0  |      |
|---------------|-------------|----|----|----|----|----|----|----|------|
| \$2C (\$4C)   | <b>SPIC</b> |    |    |    |    |    |    |    | SPCR |
| Read/Write    | RW          | RW | RW | RW | RW | RW | RW | RW |      |
| Initial Value | 0           | 0  | 0  | 0  | 0  | 0  | 0  | 0  |      |

- **Bit 7 – SPIE - SPI Interrupt Enable**

This bit causes the SPI interrupt to be executed if SPIF bit in the SPSR Register is set and the if the Global Interrupt Enable bit in SREG is set.

- **Bit 6 – SPE - SPI Enable**

When the SPE bit is set (one), the SPI is enabled. This bit must be set to enable any SPI operations.

- **Bit 5 – DORD - Data Order**

When the DORD bit is written to one, the LSB of the data word is transmitted first. When the DORD bit is written to zero, the MSB of the data word is transmitted first.

- **Bit 4 – MSTR - Master/Slave Select**

This bit selects Master SPI mode when written to one, and Slave SPI mode when written logic zero. If the Slave Select pin is configured as an input and is driven low while MSTR is set, MSTR will be cleared and SPIF in SPSR are set. The user will then have to set MSTR to re-enable SPI Master mode.

- **Bit 3 – CPOL - Clock polarity**

When this bit is written to one, SCK is high when idle. When CPOL is written to zero, SCK is low when idle. Refer to the "Data Modes" section for an example. The CPOL functionality is summarized below.

**Table 22-3** CPOL Register Bits

| Register Bits | Value | Description                                    |
|---------------|-------|--|
| CPOL          | 0     | Rising (Leading Edge), Falling (Trailing Edge) |
|               | 1     | Falling (Leading Edge), Rising (Trailing Edge) |

- **Bit 2 – CPHA - Clock Phase**

The settings of the Clock Phase bit (CPHA) determine if data is sampled on the leading (first) or trailing (last) edge of SCK. Refer to the "Data Modes" section for an example. The CPHA functionality is summarized below.

**Table 22-4** CPHA Register Bits

| Register Bits | Value | Description                                  |
|---------------|-------|--|
| CPHA          | 0     | Sample (Leading Edge), Setup (Trailing Edge) |
|               | 1     | Setup (Leading Edge), Sample (Trailing Edge) |

- **Bit 1:0 – SPR1:0 - SPI Clock Rate Select 1 and 0**

These two bits control the SCK rate of the device configured as a Master. SPR1 and SPR0 have no effect on the Slave. The relationship between SCK and the Oscillator Clock frequency  $f_{osc}$  is shown in the following table.

**Table 22-5** SPR Register Bits

| Register Bits | Value | Description                            |
|---------------|-------|--|
| SPR1:0        | 0x00  | $f_{osc}/4 / f_{osc}/2$ (SPI2X=0/1)    |
|               | 0x01  | $f_{osc}/16 / f_{osc}/8$ (SPI2X=0/1)   |
|               | 0x02  | $f_{osc}/64 / f_{osc}/32$ (SPI2X=0/1)  |
|               | 0x03  | $f_{osc}/128 / f_{osc}/64$ (SPI2X=0/1) |

## 22.4.2 SPSR – SPI Status Register

| Bit           | 7           | 6           | 5           | 4           | 3           | 2           | 1           | 0            |  |
|---------------|-------------|-------------|-------------|-------------|-------------|-------------|-------------|--------------|--|
| \$2D (\$4D)   | <b>SPSR</b> |             |             |             |             |             |             |              |  |
|               | <b>SPIF</b> | <b>WCOL</b> | <b>Res4</b> | <b>Res3</b> | <b>Res2</b> | <b>Res1</b> | <b>Res0</b> | <b>SPI2X</b> |  |
| Read/Write    | R           | R           | R           | R           | R           | R           | R           | RW           |  |
| Initial Value | 0           | 0           | 0           | 0           | 0           | 0           | 0           | 0            |  |

- **Bit 7 – SPIF - SPI Interrupt Flag**

When a serial transfer is complete, the SPIF Flag is set. An interrupt is generated if SPIE in SPCR is set and global interrupts are enabled. The SPIF Flag is also set if the Slave Select pin is an input and is driven low when the SPI is in Master mode. SPIF is cleared by hardware when executing the corresponding interrupt handling vector. Alternatively, the SPIF bit is cleared by first reading the SPI Status Register with SPIF set and then accessing the SPI Data Register (SPDR).

- **Bit 6 – WCOL - Write Collision Flag**

The WCOL bit is set if the SPI Data Register (SPDR) is written during a data transfer. The WCOL bit (and the SPIF bit) are cleared by first reading the SPI Status Register with WCOL set and then accessing the SPI Data Register.

- **Bit 5:1 – Res4:0 - Reserved**

- **Bit 0 – SPI2X - Double SPI Speed Bit**

When this bit is written logic one the SPI speed (SCK Frequency) will be doubled when the SPI is in Master mode. This means that the minimum SCK period will be two CPU clock periods. When the SPI is configured as Slave, the SPI is only guaranteed to work at  $f_{osc}/4$  or lower. The SPI interface is also used for program memory and EEPROM downloading or uploading. See section "Serial Downloading" for serial programming and verification.

## 22.4.3 SPDR – SPI Data Register

| Bit           | 7              | 6  | 5  | 4  | 3  | 2  | 1 | 0 |             |
|---------------|----------------|----|----|----|----|----|---|---|-------------|
| \$2E (\$4E)   | <b>SPDR7:0</b> |    |    |    |    |    |   |   | <b>SPDR</b> |
| Read/Write    | RW             | RW | RW | RW | RW | RW | R | R |             |
| Initial Value | X              | X  | X  | X  | X  | X  | 0 | 0 |             |



The SPI Data Register is a read/write register used for data transfer between the Register File and the SPI Shift Register. Writing to the register initiates data transmission. Reading the register causes the Shift Register Receive buffer to be read.

- **Bit 7:0 – SPDR7:0 - SPI Data Register**

## 23 USART

### 23.1 Features

- Full duplex operation (independent serial receive and transmit registers)
- Asynchronous or synchronous operation
- Master or slave clocked synchronous operation
- High resolution baud rate generator
- Supports serial frames with 5, 6, 7, 8, or 9 data bits and 1 or 2 stop bits
- Odd or even parity generation and parity check supported by hardware
- Data overrun detection
- Framing error detection
- Noise filtering includes false start bit detection and digital low pass filter
- 3 separate interrupts on TX complete, TX data register empty and RX complete
- Multi-processor communication mode
- Double speed, asynchronous communication mode

### 23.2 Overview

The Universal Synchronous and Asynchronous Serial Receiver and Transmitter (USART) is a highly flexible serial communication device.

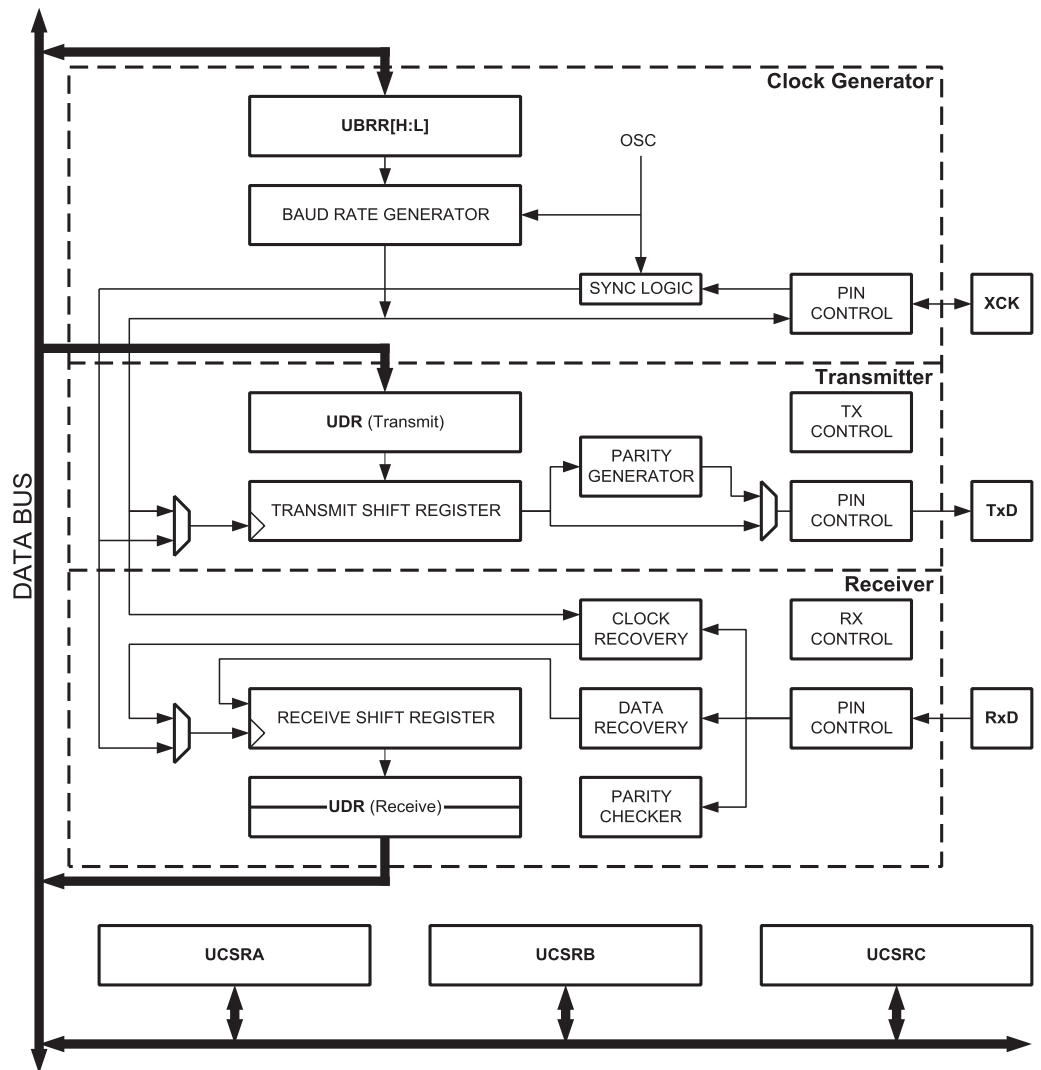
The ATmega2564/1284/644RFR2 has two USART's, USART0 and USART1. The functionality for all two USART's is described below. USART0 and USART1 have different I/O registers as shown in ["Register Summary" on page 540](#).

A simplified block diagram of the USART transmitter is shown in [Figure 23-1 on page 371](#) on page 371. CPU accessible I/O registers and I/O pins are shown in bold.

The Power Reduction USART0 bit, PRUSART0, in ["PRR0 – Power Reduction Register0" on page 195](#) must be disabled by writing a logical zero to it. The Power Reduction USART1 bit, PRUSART1, in ["PRR1 – Power Reduction Register 1" on page 196](#) must be disabled by writing a logical zero to it.

The dashed boxes in the block diagram [Figure 23-1 on page 371](#) separate the three main parts of the USART (listed from the top): clock generator, transmitter and receiver. Control registers are shared by all units. The clock generation logic consists of synchronization logic for external clock input used by synchronous slave operation, and the baud rate generator. The XCK $n$  (transfer clock) pin is only used by synchronous transfer mode. The transmitter consists of a single write buffer, a serial shift register, Parity generator and control logic for handling different serial frame formats. The write buffer allows a continuous transfer of data without any delay between frames. The receiver is the most complex part of the USART module due to its clock and data recovery units. The recovery units are used for asynchronous data reception. In addition to the recovery units, the receiver includes a parity checker, control logic, a shift register and a two level receive buffer (UDR $n$ ). The receiver supports the same frame formats as the transmitter, and can detect frame, data overrun and parity errors.

Figure 23-1. USART Block Diagram<sup>(1)</sup>



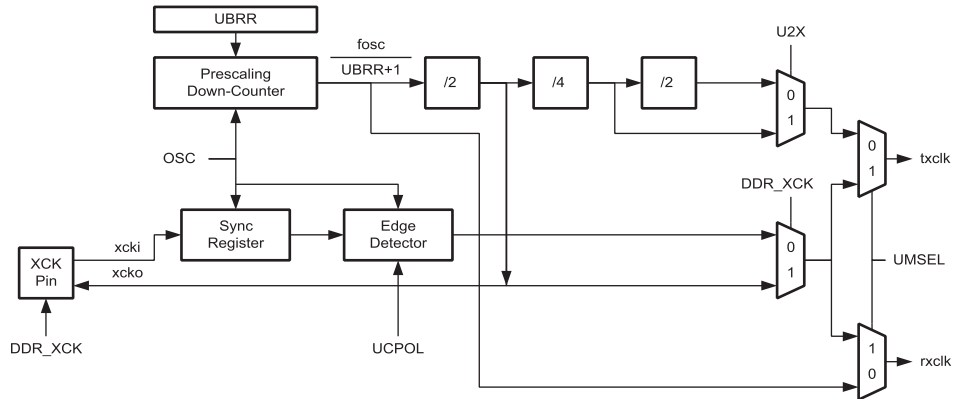
Note: 1. See [Figure 1-1 on page 2](#), [Table 14-6 on page 226](#) and [Table 14-9 on page 228](#) [Table 14-9 on page 228](#) for USART pin placement.

## 23.3 Clock Generation

The clock generation logic generates the base clock for the transmitter and receiver. The USART supports four modes of clock operation: Normal asynchronous, double speed asynchronous, master synchronous and slave synchronous mode. The UMSEL $n$  bit in USART Control and Status Register C (UCSR $n$ C) selects between asynchronous and synchronous operation. Double speed (asynchronous mode only) is controlled by the U2X $n$  found in the UCSR $n$ A register. When using synchronous mode (UMSEL $n$  = 1), the data direction register for the XCK $n$  pin (DDR\_XCK $n$ ) controls whether the clock source is internal (master mode) or external (slave mode). The XCK $n$  pin is only active when using synchronous mode.

Figure 22-2 on page 362 shows a block diagram of the clock generation logic.

**Figure 23-2. Clock Generation Logic, Block Diagram**



Signal description:

- txclk** Transmitter clock (internal signal).
- rxclk** Receiver base clock (internal signal).
- xcki** Input from XCK pin (internal signal). Used for synchronous slave operation.
- xcko** Clock output to XCK pin (internal signal). Used for synchronous master operation.
- f<sub>osc</sub>** System clock frequency.

### 23.3.1 Internal Clock Generation – The Baud Rate Generator

Internal clock generation is used for the asynchronous and the synchronous master modes of operation. The description in this section refers to Figure 22-2 on page 362.

The USART Baud Rate Register ( $UBRR_n$ ) and the down-counter connected to it function as a programmable prescaler or baud rate generator. The down-counter, running at system clock ( $f_{osc}$ ), is loaded with the  $UBRR_n$  value each time the counter has counted down to zero or when the  $UBRR_n$  register is written. A clock is generated each time the counter reaches zero. This clock is the baud rate generator clock output ( $= f_{osc}/(UBRR_n+1)$ ). The transmitter divides the baud rate generator clock output by 2, 8 or 16 depending on mode. The baud rate generator output is used directly by the receiver's clock and data recovery units. However, the recovery units use a state machine that uses 2, 8 or 16 states depending on mode set by the state of the  $UMSEL_n$ ,  $U2X_n$  and  $DDR\_XCK_n$  bits.

Table 23-1 below contains equations for calculating the baud rate (in bits per second) and for calculating the  $UBRR_n$  value for each mode of operation using an internally generated clock source.

**Table 23-1. Equations for Calculating Baud Rate Register Setting**

| Operating Mode                                 | Equation for Calculating Baud Rate <sup>(1)</sup> | Equation for Calculating UBRR Value    |
|--|---|--|
| Asynchronous Normal Mode ( $U2X_n = 0$ )       | $BAUD = \frac{f_{osc}}{16(UBRR_n + 1)}$           | $UBRR_n = \frac{f_{osc}}{16 BAUD} - 1$ |
| Asynchronous Double Speed Mode ( $U2X_n = 1$ ) | $BAUD = \frac{f_{osc}}{8(UBRR_n + 1)}$            | $UBRR_n = \frac{f_{osc}}{8 BAUD} - 1$  |

| Operating Mode          | Equation for Calculating Baud Rate <sup>(1)</sup> | Equation for Calculating UBRR Value  |
|-------------------------|---|--------------------------------------|
| Synchronous Master Mode | $BAUD = \frac{f_{osc}}{2(UBRRn+1)}$               | $UBRRn = \frac{f_{osc}}{2 BAUD} - 1$ |

Note: 1. The baud rate is defined to be the transfer rate in bit per second (bps).

**BAUD** Baud rate (in bits per second, bps)

**f<sub>osc</sub>** System oscillator clock frequency

**UBRR<sub>n</sub>** Contents of the UBRRH<sub>n</sub> and UBRRL<sub>n</sub> registers, (0-4095)

Some examples of UBRR<sub>n</sub> values for some system clock frequencies are found in [Table 23-14 on page 396](#).

### 23.3.2 Double Speed Operation (U2X<sub>n</sub>)

The transfer rate can be doubled by setting the U2X<sub>n</sub> bit in UCSR<sub>n</sub>A. Setting this bit only has effect for the asynchronous operation. Set this bit to zero when using synchronous operation.

Setting this bit will reduce the divisor of the baud rate divider from 16 to 8, effectively doubling the transfer rate for asynchronous communication. Note however that the receiver will in this case only use half the number of samples (reduced from 16 to 8) for data sampling and clock recovery, and therefore a more accurate baud rate setting and system clock are required when this mode is used. For the transmitter, there are no downsides.

### 23.3.3 External Clock

External clocking is used by the synchronous slave modes of operation. The description in this section refers to [Figure 22-2 on page 362](#) for details.

External clock input from the XCK<sub>n</sub> pin is sampled by a synchronization register to minimize the chance of meta-stability. The output from the synchronization register must then pass through an edge detector before it can be used by the transmitter and receiver. This process introduces a two CPU clock period delay and therefore the maximum external XCK<sub>n</sub> clock frequency is limited by the following equation:

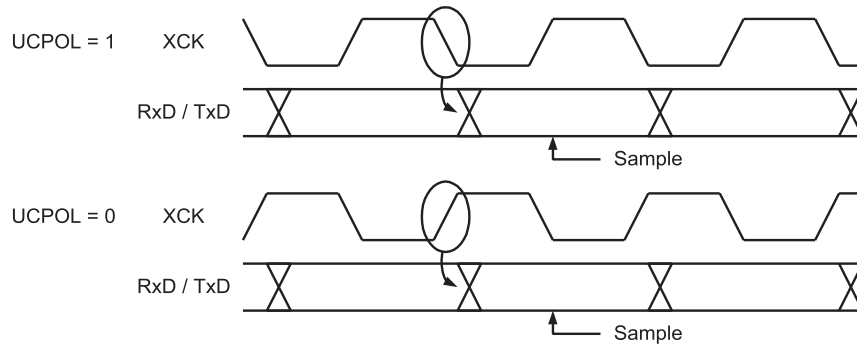
$$f_{XCK} < \frac{f_{osc}}{4}$$

Note that f<sub>osc</sub> depends on the stability of the system clock source. It is therefore recommended to add some margin to avoid possible loss of data due to frequency variations.

### 23.3.4 Synchronous Clock Operation

When synchronous mode is used (UMSEL<sub>n</sub> = 1), the XCK<sub>n</sub> pin will be used as either clock input (slave) or clock output (master). The dependency between the clock edges and data sampling or data change is the same. The basic principle is that data input (on RxD<sub>n</sub>) is sampled at the opposite XCK<sub>n</sub> clock edge of the edge the data output (TxD<sub>n</sub>) is changed.

**Figure 23-3. Synchronous Mode XCK<sub>n</sub> Timing**



The UC POL<sub>n</sub> bit UCRSC selects which XCK<sub>n</sub> clock edge is used for data sampling and which is used for data change. As Figure 22-3 on page 366 shows, when UC POL<sub>n</sub> is zero the data will be changed at rising XCK<sub>n</sub> edge and sampled at falling XCK<sub>n</sub> edge. If UC POL<sub>n</sub> is set, the data will be changed at falling XCK<sub>n</sub> edge and sampled at rising XCK<sub>n</sub> edge.

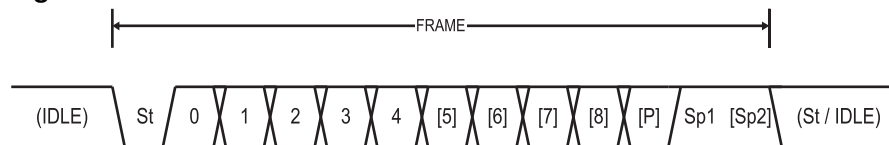
## 23.4 Frame Formats

A serial frame is defined to be one character of data bits with synchronization bits (start and stop bits), and optionally a parity bit for error checking. The USART accepts all 30 combinations of the following as valid frame formats:

- 1 start bit
- 5, 6, 7, 8, or 9 data bits
- no, even or odd parity bit
- 1 or 2 stop bits

A frame starts with the start bit followed by the least significant data bit. Then the next data bits, up to a total of nine, are succeeding, ending with the most significant bit. If enabled, the parity bit is inserted after the data bits, before the stop bits. When a complete frame is transmitted, it can be directly followed by a new frame, or the communication line can be set to an idle (high) state. Figure 23-4 below illustrates the possible combinations of the frame formats. Bits inside brackets are optional.

**Figure 23-4. Frame Formats**



- St** Start bit, always low
- (n)** Data bits (0 to 8)
- P** Parity bit - can be odd or even
- Sp** Stop bit, always high
- IDLE** No transfers on the communication line (RxD<sub>n</sub> or TxD<sub>n</sub>). An IDLE line must be high

The frame format used by the USART is set by the UCSZ<sub>n2:0</sub>, UPM<sub>n1:0</sub> and USBS<sub>n</sub> bits in UCSR<sub>nB</sub> and UCSR<sub>nC</sub>. The receiver and transmitter use the same setting. Note that changing the setting of any of these bits will corrupt all ongoing communication for both the receiver and transmitter.

The USART Character Size (UCSZ $n$ 2:0) bits select the number of data bits in the frame. The USART Parity Mode (UPM $n$ 1:0) bits enable and set the type of parity bit. The selection between one or two stop bits is done by the USART Stop Bit Select (USBS $n$ ) bit. The receiver ignores the second stop bit. A frame error will therefore only be detected in cases where the first stop bit is zero.

## 23.4.1 Parity Bit Calculation

The parity bit is calculated by doing an exclusive-or of all the data bits. If odd parity is used, the result of the exclusive or is inverted. The parity bit is located between the last data bit and first stop bit of a serial frame. The relation between the parity bit and data bits is as follows:

$$P_{even} = d_{n-1} \oplus \dots \oplus d_3 \oplus d_2 \oplus d_1 \oplus d_0 \oplus 0$$

$$P_{odd} = d_{n-1} \oplus \dots \oplus d_3 \oplus d_2 \oplus d_1 \oplus d_0 \oplus 1$$

**P<sub>even</sub>** Parity bit using even parity

**P<sub>odd</sub>** Parity bit using odd parity

**d<sub>n</sub>** Data bit n of the character

## 23.5 USART Initialization

The USART has to be initialized before any communication can take place. The initialization process normally consists of setting the baud rate, setting frame format and enabling the transmitter or the receiver depending on the usage. For interrupt driven USART operation, the global interrupt flag should be cleared (and interrupts globally disabled) when doing the initialization.

Before doing a re-initialization with changed baud rate or frame format, be sure that there are no ongoing transmissions during the period the registers are changed. The TXC $n$  flag can be used to check that the transmitter has completed all transfers, and the RXC flag can be used to check that there are no unread data in the receive buffer. Note that the TXC $n$  flag must be cleared before each transmission (before UDR $n$  is written) if it is used for this purpose.

The following simple USART initialization code examples show one assembly and one C function that are equal in functionality. The examples assume asynchronous operation using polling (no interrupts enabled) and a fixed frame format. The baud rate is given as a function parameter. For the assembly code, the baud rate parameter is assumed to be stored in the r17:r16 Registers.

### Assembly Code Example<sup>(1)</sup>

```

USART_Init:
; Set baud rate
out UBRRnH, r17
out UBRRnL, r16
; Enable receiver and transmitter
ldi r16, (1<<RXENn)|(1<<TXENn)
out UCSRnB,r16
; Set frame format: 8data, 2stop bit
ldi r16, (1<<USBSn)|(3<<UCSZn0)
out UCSRnC,r16
ret
    
```

## C Code Example<sup>(1)</sup>

```
#define FOSC 8000000// Clock Speed
#define BAUD 9600
#define (MYUBRR FOSC/16/BAUD-1)
void main( void )
{...
USART_Init ( MYUBRR );
...} // main
void USART_Init( unsigned int ubrr){
/* Set baud rate */
UBRRnH = (unsigned char) (ubrr>>8);
UBRRnL = (unsigned char) ubrr;
/* Enable receiver and transmitter */
UCSRnB = (1<<RXEN)|(1<<TXEN);
/* Set frame format: 8data, 2stop bit */
UCSRnC = (1<<USBS)|(3<<UCSZ0);
} // USART_Init
```

Note: 1. See ["About Code Examples" on page 8](#)

More advanced initialization routines can be made that include frame format as parameters, disable interrupts and so on. However, many applications use a fixed setting of the baud and control registers, and for these types of applications the initialization code can be placed directly in the main routine, or be combined with initialization code for other I/O modules.

## 23.6 Data Transmission – The USART Transmitter

The USART transmitter is enabled by setting the Transmit Enable (TXEN) bit in the UCSRnB register. When the transmitter is enabled, the normal port operation of the TxDn pin is overridden by the USART and gives the function as the transmitter's serial output. The baud rate, mode of operation and frame format must be set up once before doing any transmissions. If synchronous operation is used, the clock on the XCKn pin will be overridden and used as transmission clock.

### 23.6.1 Sending Frames with 5 to 8 Data Bit

A data transmission is initiated by loading the transmit buffer with the data to be transmitted. The CPU can load the transmit buffer by writing to the UDRn I/O location. The buffered data in the transmit buffer will be moved to the shift register when the shift register is ready to send a new frame. The shift register is loaded with new data if it is in idle state (no ongoing transmission) or immediately after the last stop bit of the previous frame is transmitted. When the shift register is loaded with new data, it will transfer one complete frame at the rate given by the baud rate register, U2Xn bit or by XCKn depending on mode of operation.

The following code examples show a simple USART transmit function based on polling of the Data Register Empty Flag (UDREN). When using frames with less than eight bits, the most significant bits written to the UDRn are ignored. The USART has to be initialized before the function can be used. For the assembly code, the data to be sent is assumed to be stored in register r16.



## Assembly Code Example<sup>(1)</sup>

```

USART_Transmit:
    ; Wait for empty transmit buffer
    sbis UCSRnA,UDREN rjmp USART_Transmit
    ; Put data (r16) into buffer, sends the data
    out UDRn,r16
    ret
    
```

## C Code Example<sup>(1)</sup>

```

void USART_Transmit( unsigned char data )
{
    /* Wait for empty transmit buffer */
    while ( !( UCSRnA & (1<<UDREN)) );
    /* Put data into buffer, sends the data */
    UDRn = data;
}
    
```

Note: 1. See ["About Code Examples" on page 8](#)

The function simply waits for the transmit buffer to be empty by checking the UDREN flag, before loading it with new data to be transmitted. If the data register empty interrupt is utilized, the interrupt routine writes the data into the buffer.

### 23.6.2 Sending Frames with 9 Data Bit

If 9 bit characters are used (UCSZn2:0 = 7), the ninth bit must be written to the TXB8 bit in UCSRnB before the low byte of the character is written to UDRn. The following code examples show a transmit function that handles 9 bit characters. For the assembly code, the data to be sent is assumed to be stored in registers r17:r16.

## Assembly Code Example<sup>(1)(2)</sup>

```

USART_Transmit:
    ; Wait for empty transmit buffer
    sbis UCSRnA,UDREN
    rjmp USART_Transmit
    ; Copy 9th bit from r17 to TXB8
    cbi UCSRnB, TXB8
    sbrc r17,0
    sbi UCSRnB, TXB8
    ; Put LSB data (r16) into buffer, sends the data
    out UDRn,r16
    ret
    
```

## C Code Example<sup>(1)(2)</sup>

```

void USART_Transmit( unsigned int data )
{
    /* Wait for empty transmit buffer */
    while ( !( UCSRnA & (1<<UDREN)) );
    /* Copy 9th bit to TXB8 */
    UCSRnB &= ~(1<<TXB8);
    if ( data & 0x0100 )
        UCSRnB |= (1<<TXB8);
    /* Put data into buffer, sends the data */
    UDRn = data;
}

```

- Note:
1. These transmit functions are written to be general functions. They can be optimized if the content of the UCSRnB is static. For example, only the TXB8 bit of the UCSRnB register is used after initialization.
  2. See "[About Code Examples](#)" on page 8

The 9<sup>th</sup> bit can be used for indicating an address frame when using multi processor communication mode or for other protocol handling as for example synchronization.

### 23.6.3 Transmitter Flags and Interrupts

The USART transmitter has two flags that indicate its state: USART Data Register Empty (UDREN) and Transmit Complete (TXCN). Both flags can be used for generating interrupts.

The Data Register Empty Flag (UDREN) indicates whether the transmit buffer is ready to receive new data. This bit is set when the transmit buffer is empty, and cleared when the transmit buffer contains data to be transmitted that has not yet been moved into the shift register. For compatibility with future devices, always write this bit to zero when writing the UCSRnA register.

When the USART Data Register Empty Interrupt Enable (UDRIEN) bit in UCSRnB is written to one, the USART data register empty interrupt will be executed as long as UDREN is set (provided that global interrupts are enabled). UDREN is cleared by writing UDRn. When interrupt-driven data transmission is used, the data register empty interrupt routine must either write new data to UDRn in order to clear UDREN or disable the data register empty interrupt, otherwise a new interrupt will occur once the interrupt routine terminates.

The Transmit Complete Flag (TXCN) bit is set one when the entire frame in the transmit shift register has been shifted out and there are no new data currently present in the transmit buffer. The TXCN flag bit is automatically cleared when a transmission complete interrupt is executed, or it can be cleared by writing a one to its bit location. The TXCN flag is useful in half-duplex communication interfaces (like the RS-485 standard), where a transmitting application must enter receive mode and free the communication bus immediately after completing the transmission.

When the Transmission Complete Interrupt Enable (TXCIEN) bit in UCSRnB is set, the USART transmission complete interrupt will be executed when the TXCN flag becomes set (provided that global interrupts are enabled). When the transmission complete interrupt is used, the interrupt handling routine does not have to clear the TXCN flag. This is done automatically when the interrupt is executed.

## 23.6.4 Parity Generator

The parity generator calculates the parity bit for the serial frame data. When parity bit is enabled ( $UPMn1 = 1$ ), the transmitter control logic inserts the parity bit between the last data bit and the first stop bit of the frame that is sent.

## 23.6.5 Disabling the Transmitter

The disabling of the transmitter (setting the TXEN to zero) will not become effective until ongoing and pending transmissions are completed, i.e., when the transmit shift register and transmit buffer register do not contain data to be transmitted. The transmitter will no longer override the TxDn pin when disabled.

## 23.7 Data Reception – The USART Receiver

The USART receiver is enabled by writing the Receive Enable (RXENn) bit in the UCSRnB register to one. When the receiver is enabled, the normal pin operation of the RxDn pin is overridden by the USART and given the function as the receiver's serial input. The baud rate, mode of operation and frame format must be set up once before any serial reception can be done. If synchronous operation is used, the clock on the XCKn pin will be used as transfer clock.

### 23.7.1 Receiving Frames with 5 to 8 Data Bits

The receiver starts data reception when it detects a valid start bit. Each bit that follows the start bit will be sampled at the baud rate or XCKn clock, and shifted into the receive shift register until the first stop bit of a frame is received. A second stop bit will be ignored by the receiver. When the first stop bit is received, i.e., a complete serial frame is present in the receive shift register, the contents of the shift register will be moved into the receive buffer. The receive buffer can then be read by reading the UDRn I/O location.

The following code example shows a simple USART receive function based on polling of the Receive Complete Flag (RXCn). When using frames with less than eight bits the most significant bits of the data read from the UDRn will be masked to zero. The USART has to be initialized before the function can be used. The function simply waits for data to be present in the receive buffer by checking the RXCn flag before reading the buffer and returning the value.

#### Assembly Code Example<sup>(1)</sup>

```

USART_Receive:
    ; Wait for data to be received
    sbis UCSRnA, RXCn
    rjmp USART_Receive
    ; Get and return received data from buffer
    in r16, UDRn
    ret
    
```

## C Code Example<sup>(1)</sup>

```

unsigned char USART_Receive( void )
{
    /* Wait for data to be received */
    while ( !(UCSRnA & (1<<RXCn)) );
    /* Get and return received data from buffer */
    return UDRn;
}

```

Note: 1. See ["About Code Examples" on page 8](#)

### 23.7.2 Receiving Frames with 9 Data Bits

If 9 bit characters are used (UCSZ $n$ 2:0=7) the 9<sup>th</sup> bit must be read from the RXB8 $n$  bit in UCSR $n$ B before reading the low bits from the UDR $n$  register. This rule applies to the FE $n$ , DOR $n$  and UPE $n$  status flags as well. Read status from UCSR $n$ A, then data from UDR $n$ . Reading the UDR $n$  I/O location will change the state of the receive buffer FIFO and consequently the TXB8 $n$ , FE $n$ , DOR $n$  and UPE $n$  bits, which all are stored in the FIFO, will change.

The following code example shows a simple USART receive function that handles both nine bit characters and the status bits.

## Assembly Code Example<sup>(1)</sup>

```

USART_Receive:
    ; Wait for data to be received
    sbis UCSRnA, RXCn
    rjmp USART_Receive
    ; Get status and 9th bit, then data from buffer
    in r18, UCSRnA
    in r17, UCSRnB
    in r16, UDRn
    ; If error, return -1
    andi r18, (1<<FE $n$ ) | (1<<DOR $n$ ) | (1<<UPE $n$ )
    breq USART_ReceiveNoError
    ldi r17, HIGH(-1)
    ldi r16, LOW(-1)
USART_ReceiveNoError:
    ; Filter the 9th bit, then return
    lsr r17
    andi r17, 0x01
    ret

```

## C Code Example<sup>(1)</sup>

```

unsigned int USART_Receive( void )
{
    unsigned char status, resh, resl;
    /* Wait for data to be received */
    while ( !(UCSRnA & (1<<RXCn)) );
    /* Get status and 9th bit, then data */
    /* from buffer */
    status = UCSRnA;
    resh = UCSRnB;
    resl = UDRn;
    /* If error, return -1 */
    if ( status & (1<<FE $n$ ) | (1<<DO $Rn$ ) | (1<<UP $En$ ) )
        return -1;
    /* Filter the 9th bit, then return */
    resh = (resh >> 1) & 0x01;
    return ((resh << 8) | resl);
}

```

Note: 1. See "About Code Examples" on page 8

The receive function example reads all the I/O registers into the register file before any computation is done. This gives an optimal receive buffer utilization since the buffer location read will be free to accept new data as early as possible.

### 23.7.3 Receive Complete Flag and Interrupt

The USART receiver has one flag that indicates the receiver state.

The Receive Complete Flag (RXC $n$ ) indicates if there are unread data present in the receive buffer. This flag is one when unread data exist in the receive buffer, and zero when the receive buffer is empty (i.e., does not contain any unread data). If the receiver is disabled (RXEN $n$  = 0), the receive buffer will be flushed and consequently the RXC $n$  bit will become zero.

When the Receive Complete Interrupt Enable (RXCI $En$ ) in UCSR $nB$  is set, the USART receive complete interrupt will be executed as long as the RXC $n$  flag is set (provided that global interrupts are enabled). When interrupt-driven data reception is used, the receive complete routine must read the received data from UDR $n$  in order to clear the RXC $n$  flag, otherwise a new interrupt will occur once the interrupt routine terminates.

### 23.7.4 Receiver Error Flags

The USART receiver has three error flags: Frame Error (FE $n$ ), Data OverRun (DO $Rn$ ) and Parity Error (UP $En$ ). All can be accessed by reading UCSR $nA$ . Common for the error flags is that they are located in the receive buffer together with the frame for which they indicate the error status. Due to the buffering of the error flags, the UCSR $nA$  must be read before the receive buffer (UDR $n$ ), since reading the UDR $n$  I/O location changes the buffer read location. The error flags cannot be altered by the application software doing a write to the flag location. However, all flags must be set to zero when the UCSR $nA$  is written for upward compatibility of future USART implementations. None of the error flags can generate interrupts.

The Frame Error Flag (FE $n$ ) indicates the state of the first stop bit of the next readable frame stored in the receive buffer. The FE $n$  flag is zero when the stop bit was correctly

read (as one), and the  $FE_n$  flag will be one when the stop bit was incorrect (zero). This flag can be used for detecting out-of-sync conditions, detecting break conditions and protocol handling. The  $FE_n$  flag is not affected by the setting of the  $USBS_n$  bit in  $UCSRnC$  since the receiver ignores all, except for the first, stop bits. For compatibility with future devices, always set this bit to zero when writing to  $UCSRnA$ .

The Data OverRun Flag ( $DOR_n$ ) indicates data loss due to a receiver buffer full condition. A data overrun occurs when the receive buffer is full (two characters), it is a new character waiting in the receive shift register, and a new start bit is detected. If the  $DOR_n$  flag is set there was one or more serial frame lost between the frame last read from  $UDR_n$ , and the next frame read from  $UDR_n$ . For compatibility with future devices, always write this bit to zero when writing to  $UCSRnA$ . The  $DOR_n$  flag is cleared when the frame received was successfully moved from the shift register to the receive buffer.

The Parity Error Flag ( $UPEN$ ) indicates that the next frame in the receive buffer had a parity error when received. If parity check is not enabled the  $UPEN$  bit will always be read zero. For compatibility with future devices, always set this bit to zero when writing to  $UCSRnA$ . For more details see "[Parity Bit Calculation](#)" on page 375 and "[Parity Checker](#)" below.

### 23.7.5 Parity Checker

The parity checker is active when the high USART parity mode ( $UPMn1$ ) bit is set. Type of parity check to be performed (odd or even) is selected by the  $UPMn0$  bit. When enabled, the parity checker calculates the parity of the data bits in incoming frames and compares the result with the parity bit from the serial frame. The result of the check is stored in the receive buffer together with the received data and stop bits. The Parity Error Flag ( $UPEN$ ) can then be read by software to check if the frame had a parity error.

The  $UPEN$  bit is set if the next character that can be read from the receive buffer had a parity error when received. The parity checking was enabled at that point ( $UPMn1 = 1$ ). This bit is valid until the receive buffer ( $UDR_n$ ) is read.

### 23.7.6 Disabling the Receiver

In contrast to the transmitter, disabling of the receiver will be immediate. Data from ongoing receptions will therefore be lost. When disabled (i.e., the  $RXEN_n$  is set to zero) the receiver will no longer override the normal function of the  $RxD_n$  port pin. The receiver buffer FIFO will be flushed when the receiver is disabled. Remaining data in the buffer will be lost

### 23.7.7 Flushing the Receive Buffer

The receiver buffer FIFO will be flushed when the receiver is disabled, i.e., the buffer will be emptied of its contents. Unread data will be lost. If the buffer has to be flushed during normal operation, due to for instance an error condition, read the  $UDR_n$  I/O location until the  $RXC_n$  flag is cleared. The following code example shows how to flush the receive buffer.

| Assembly Code Example <sup>(1)</sup>  |
|---|
| <pre> USART_Flush:     sbis UCSRnA, RXCn     ret     in r16, UDRn     rjmp USART_Flush                 </pre> |

## C Code Example<sup>(1)</sup>

```
void USART_Flush( void )
{
    unsigned char dummy;
    while ( UCSRnA & (1<<RXCn) ) dummy = UDRn;
}
```

Note: 1. See "About Code Examples" on page 8

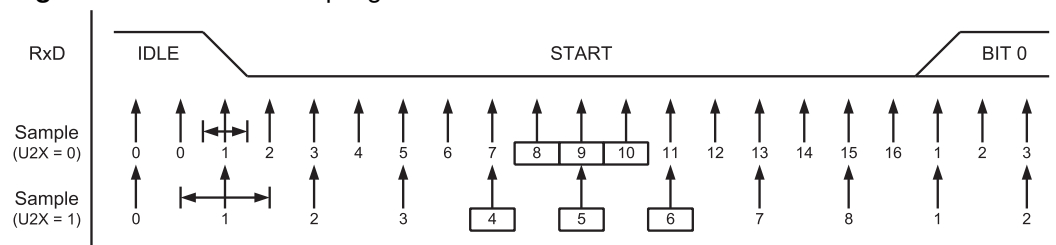
## 23.8 Asynchronous Data Reception

The USART includes a clock recovery and a data recovery unit for handling asynchronous data reception. The clock recovery logic is used for synchronizing the internally generated baud rate clock to the incoming asynchronous serial frames at the  $RxDn$  pin. The data recovery logic samples and low pass filters each incoming bit, thereby improving the noise immunity of the receiver. The asynchronous reception operational range depends on the accuracy of the internal baud rate clock, the rate of the incoming frames, and the frame size in number of bits.

### 23.8.1 Asynchronous Clock Recovery

The clock recovery logic synchronizes internal clock to the incoming serial frames. [Figure 23-5 below](#) illustrates the sampling process of the start bit of an incoming frame. The sample rate is 16 times the baud rate for Normal mode, and eight times the baud rate for double speed mode. The horizontal arrows illustrate the synchronization variation due to the sampling process. Note the larger time variation when using the double speed mode ( $U2Xn = 1$ ) of operation. Samples denoted zero are samples done when the  $RxDn$  line is idle (i.e., no communication activity).

**Figure 23-5.** Start Bit Sampling



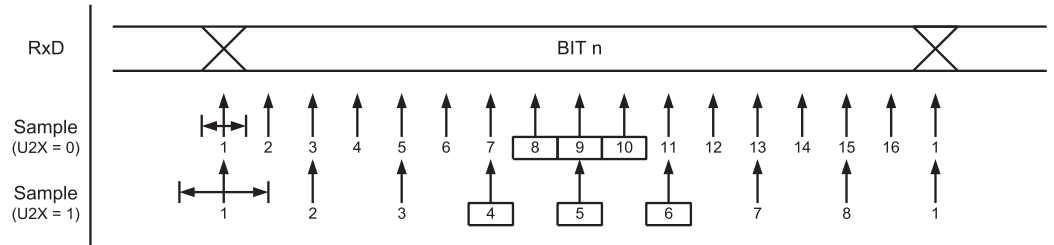
When the clock recovery logic detects a high (idle) to low (start) transition on the  $RxDn$  line, the start bit detection sequence is initiated. Let sample 1 denote the first zero-sample as shown in the figure. The clock recovery logic then uses samples 8, 9 and 10 for Normal mode, and samples 4, 5 and 6 for double speed mode (indicated with sample numbers inside boxes on the figure), to decide if a valid start bit is received. If two or more of these three samples have logical high levels (the majority wins), the start bit is rejected as a noise spike and the receiver starts looking for the next high to low-transition. If however, a valid start bit is detected, the clock recovery logic is synchronized and the data recovery can begin. The synchronization process is repeated for each start bit.

### 23.8.2 Asynchronous Data Recovery

When the receiver clock is synchronized to the start bit, the data recovery can begin. The data recovery unit uses a state machine that has 16 states for each bit in Normal mode and eight states for each bit in double speed mode. [Figure 23-6 on page 384](#)

shows the sampling of the data bits and the parity bit. Each of the samples is given a number that is equal to the state of the recovery unit.

**Figure 23-6.** Sampling of Data and Parity Bit

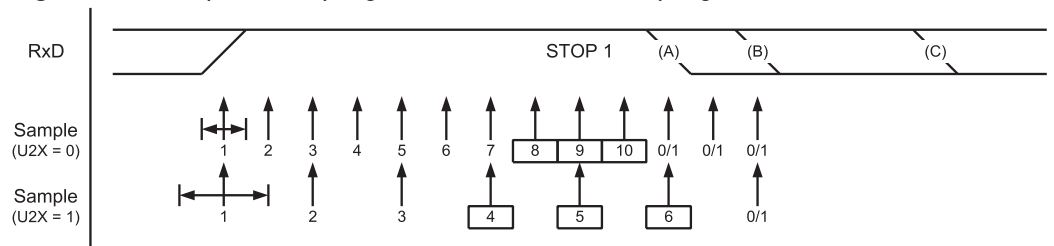


The decision of the logic level of the received bit is taken by doing a majority voting of the logic value to the three samples in the centre of the received bit. The centre samples are emphasized on the figure by having the sample number inside boxes. The majority voting process is done as follows:

If two or all three samples have high levels, the received bit is registered to be logic 1. If two or all three samples have low levels, the received bit is registered to be logic 0. This majority voting process acts as a low pass filter for the incoming signal on the RxDn pin. The recovery process is then repeated until a complete frame is received including the first stop bit. Note that the receiver only uses the first stop bit of a frame.

Figure 23-7 below shows the sampling of the stop bit and the earliest possible beginning of the start bit of the next frame.

**Figure 23-7.** Stop Bit Sampling and Next Start Bit Sampling



The same majority voting is done to the stop bit as done for the other bits in the frame. If the stop bit is registered to have a logic 0 value, the Frame Error Flag (FEn) will be set.

A new high to low transition indicating the start bit of a new frame can come right after the last of the bits used for majority voting. For normal speed mode, the first low level sample can be at point marked (A) in Figure 23-7 above. For double speed mode the first low level must be delayed to (B). (C) marks a stop bit of full length. The early start bit detection influences the operational range of the receiver.

### 23.8.3 Asynchronous Operational Range

The operational range of the receiver is dependent on the mismatch between the received bit rate and the internally generated baud rate. If the transmitter is sending frames at too fast or too slow bit rates, or the internally generated baud rate of the receiver does not have a similar (see Table 23-2 on page 385) base frequency, the receiver will not be able to synchronize the frames to the start bit.



The following equations can be used to calculate the ratio of the incoming data rate and internal receiver baud rate.

$$R_{slow} = \frac{(D+1)S}{S-1+D \cdot S + S_F} \qquad R_{fast} = \frac{(D+2)S}{(D+1)S + S_{MF}}$$

- D** Sum of character size and parity size (D = 5 to 10 bit)
- S** Samples per bit. S = 16 for normal speed mode and S = 8 for double speed mode.
- S<sub>F</sub>** First sample number used for majority voting. S<sub>F</sub> = 8 for normal speed and S<sub>F</sub> = 4 for double speed mode.
- S<sub>M</sub>** Middle sample number used for majority voting. S<sub>M</sub> = 9 for normal speed and S<sub>M</sub> = 5 for double speed mode.
- R<sub>slow</sub>** is the ratio of the slowest incoming data rate that can be accepted in relation to the receiver baud rate.
- R<sub>fast</sub>** is the ratio of the fastest incoming data rate that can be accepted in relation to the receiver baud rate.

Table 23-2 below and Table 23-3 below list the maximum receiver baud rate error that can be tolerated. Note that normal speed mode has higher tolerance of baud rate variations.

**Table 23-2.** Recommended Maximum Receiver Baud Rate Error for Normal Speed Mode (U2Xn = 0)

| D # (Data+Parity Bit) | R <sub>slow</sub> (%) | R <sub>fast</sub> (%) | Max Total Error (%) | Recommended Max Receiver Error (%) |
|-----------------------|-----------------------|-----------------------|---------------------|------------------------------------|
| 5                     | 93.20                 | 106.67                | +6.67/-6.8          | ± 3.0                              |
| 6                     | 94.12                 | 105.79                | +5.79/-5.88         | ± 2.5                              |
| 7                     | 94.81                 | 105.11                | +5.11/-5.19         | ± 2.0                              |
| 8                     | 95.36                 | 104.58                | +4.58/-4.54         | ± 2.0                              |
| 9                     | 95.81                 | 104.14                | +4.14/-4.19         | ± 1.5                              |
| 10                    | 96.17                 | 103.78                | +3.78/-3.83         | ± 1.5                              |

**Table 23-3.** Recommended Maximum Receiver Baud Rate Error for Double Speed Mode (U2Xn = 1)

| D # (Data+Parity Bit) | R <sub>slow</sub> (%) | R <sub>fast</sub> (%) | Max Total Error (%) | Recommended Max Receiver Error (%) |
|-----------------------|-----------------------|-----------------------|---------------------|------------------------------------|
| 5                     | 94.12                 | 105.66                | +5.66/-5.88         | ± 2.5                              |
| 6                     | 94.92                 | 104.92                | +4.92/-5.08         | ± 2.0                              |
| 7                     | 95.52                 | 104.35                | +4.35/-4.48         | ± 1.5                              |
| 8                     | 96.00                 | 103.90                | +3.90/-4.00         | ± 1.5                              |
| 9                     | 96.39                 | 103.53                | +3.53/-3.61         | ± 1.5                              |
| 10                    | 96.70                 | 103.23                | +3.23/-3.30         | ± 1.0                              |

The recommendations of the maximum receiver baud rate error were made under the assumption that the receiver and transmitter equally divides the maximum total error.

There are two possible sources for the receiver baud rate error. The receiver's system clock will always have some minor instability over the supply voltage range and the temperature range. When using the radio transceiver crystal oscillator (XOSC) to generate the system clock, this is rarely a problem, but for the internal RC oscillator the system clock may differ more than 2% over the temperature range. The second source for the error is more controllable. The baud rate generator can not always do an exact

division of the system frequency to get the baud rate wanted. In this case an UBRR value that gives an acceptable low error can be used if possible.

## 23.9 Multi-processor Communication Mode

Setting the Multi-processor Communication Mode (MPCM $n$ ) bit in UCSR $n$ A enables a filtering function of incoming frames received by the USART receiver. Frames that do not contain address information will be ignored and not put into the receive buffer. This effectively reduces the number of incoming frames that has to be handled by the MCU, in a system with multiple MCUs that communicate via the same serial bus. The transmitter is unaffected by the MPCM $n$  setting, but has to be used differently when it is a part of a system utilizing the multi-processor communication mode.

If the receiver is set up to receive frames that contain 5 to 8 data bits, then the first stop bit indicates if the frame contains data or address information. If the receiver is set up for frames with nine data bits, then the ninth bit (RXB8 $n$ ) is used for identifying address and data frames. When the frame type bit (the first stop or the ninth bit) is one, the frame contains an address. When the frame type bit is zero the frame is a data frame.

The multi-processor communication mode enables several slave MCUs to receive data from a master MCU. This is done by first decoding an address frame to find out which MCU has been addressed. If a particular slave MCU has been addressed, it will receive the following data frames as normal, while the other slave MCUs will ignore the received frames until another address frame is received.

### 23.9.1 Using MPCM $n$

For an MCU to act as a master MCU, it can use a 9 bit character frame format (UCSZ $n$ 2:0 = 7). The 9<sup>th</sup> bit (TXB8 $n$ ) must be set when an address frame (TXB8 $n$  = 1) or cleared when a data frame (TXB = 0) is being transmitted. The slave MCUs must in this case be set to use a 9 bit character frame format.

The following procedure should be used to exchange data in multi-processor communication mode:

1. All slave MCUs are in multi-processor communication mode (MPCM $n$  in UCSR $n$ A is set).
2. The master MCU sends an address frame, and all slaves receive and read this frame. In the slave MCUs, the RXC $n$  flag in UCSR $n$ A will be set as normal.
3. Each slave MCU reads the UDR $n$  register and determines if it has been selected. If so, it clears the MPCM $n$  bit in UCSR $n$ A, otherwise it waits for the next address byte and keeps the MPCM $n$  setting.
4. The addressed MCU will receive all data frames until a new address frame is received. The other slave MCUs, which still have the MPCM $n$  bit set, will ignore the data frames.
5. When the last data frame is received by the addressed MCU, the addressed MCU sets the MPCM $n$  bit and waits for a new address frame from master. The process then repeats from 2.

Using any of the 5 to 8 bit character frame formats is possible, but impractical since the receiver must change between using  $n$  and  $n+1$  character frame formats. This makes full-duplex operation difficult since the transmitter and receiver uses the same character size setting. If 5 to 8 bit character frames are used, the transmitter must be set to use two stop bit (USBS $n$  = 1) since the first stop bit is used for indicating the frame type.

Do not use read-modify-write instructions (SBI and CBI) to set or clear the MPCM $n$  bit. The MPCM $n$  bit shares the same I/O location as the TXC $n$  flag and this might accidentally be cleared when using SBI or CBI instructions.

## 23.10 Register Description

### 23.10.1 UDR0 – USART0 I/O Data Register

|               |                 |    |    |    |    |    |    |    |             |
|---------------|-----------------|----|----|----|----|----|----|----|-------------|
| Bit           | 7               | 6  | 5  | 4  | 3  | 2  | 1  | 0  |             |
| NA (\$C6)     | <b>UDR07:00</b> |    |    |    |    |    |    |    | <b>UDR0</b> |
| Read/Write    | RW              | RW | RW | RW | RW | RW | RW | RW |             |
| Initial Value | 0               | 0  | 0  | 0  | 0  | 0  | 0  | 0  |             |

The USART Transmit Data Buffer Register and USART Receive Data Buffer Registers share the same I/O address referred to as USART Data Register or UDR0. The Transmit Data Buffer Register (TXB) will be the destination for data written to the UDR0 Register location. Reading the UDR0 Register location will return the contents of the Receive Data Buffer Register (RXB). For 5-, 6-, or 7-bit characters the upper unused bits will be ignored by the Transmitter and set to zero by the Receiver. The transmit buffer can only be written when the UDRE0 Flag in the UCSR0A Register is set. Data written to UDR0 when the UDRE0 Flag is not set, will be ignored by the USART Transmitter. When data is written to the transmit buffer and the Transmitter is enabled, the Transmitter will load the data into the Transmit Shift Register when the Shift Register is empty. Then the data will be serially transmitted on the TxD0 pin. The receive buffer consists of a two level FIFO. The FIFO will change its state whenever the receive buffer is accessed. Due to this behavior of the receive buffer, do not use Read-Modify-Write instructions (SBI and CBI) on this location. Be careful when using bit test instructions (SBIC and SBIS), since these also will change the state of the FIFO.

- **Bit 7:0 – UDR07:00 - USART I/O Data Register**

### 23.10.2 UCSR0A – USART0 Control and Status Register A

|               |             |             |              |            |             |             |             |              |               |
|---------------|-------------|-------------|--------------|------------|-------------|-------------|-------------|--------------|---------------|
| Bit           | 7           | 6           | 5            | 4          | 3           | 2           | 1           | 0            |               |
| NA (\$C0)     | <b>RXC0</b> | <b>TXC0</b> | <b>UDRE0</b> | <b>FE0</b> | <b>DOR0</b> | <b>UPE0</b> | <b>U2X0</b> | <b>MPCM0</b> | <b>UCSR0A</b> |
| Read/Write    | R           | RW          | R            | R          | R           | R           | RW          | RW           |               |
| Initial Value | 0           | 0           | 1            | 0          | 0           | 0           | 0           | 0            |               |

- **Bit 7 – RXC0 - USART Receive Complete**

This flag bit is set when there are unread data in the receive buffer and cleared when the receive buffer is empty (i.e., does not contain any unread data). If the Receiver is disabled, the receive buffer will be flushed and consequently the RXC0 bit will become zero. The RXC0 Flag can be used to generate a Receive Complete interrupt (see description of the RXCIE0 bit).

- **Bit 6 – TXC0 - USART Transmit Complete**

This flag bit is set when the entire frame in the Transmit Shift Register has been shifted out and there are no new data currently present in the transmit buffer (UDR0). The TXC0 Flag bit is automatically cleared when a transmit complete interrupt is executed, or it can be cleared by writing a one to its bit location. The TXC0 Flag can generate a Transmit Complete interrupt (see description of the TXCIE0 bit).

- **Bit 5 – UDRE0 - USART Data Register Empty**

The UDRE0 Flag indicates if the transmit buffer (UDR0) is ready to receive new data. If UDRE0 is one, the buffer is empty, and therefore ready to be written. The UDRE0 Flag can generate a Data Register Empty interrupt (see description of the UDRIE0 bit). UDRE0 is set after a reset to indicate that the Transmitter is ready.

- **Bit 4 – FE0 - Frame Error**

This bit is set if the next character in the receive buffer had a Frame Error when received. I.e., when the first stop bit of the next character in the receive buffer is zero. This bit is valid until the receive buffer (UDR0) is read. The FE0 bit is zero when the stop bit of received data is one. Always set this bit to zero when writing to UCSR0A.

- **Bit 3 – DOR0 - Data OverRun**

This bit is set if a Data OverRun condition is detected. A Data OverRun occurs when the receive buffer is full (two characters), it is a new character waiting in the Receive Shift Register and a new start bit is detected. This bit is valid until the receive buffer (UDR0) is read. Always set this bit to zero when writing to UCSR0A.

- **Bit 2 – UPE0 - USART Parity Error**

This bit is set if the next character in the receive buffer had a Parity Error when received and the Parity Checking was enabled at that point (UPM01 = 1). This bit is valid until the receive buffer (UDR0) is read. Always set this bit to zero when writing to UCSR0A.

- **Bit 1 – U2X0 - Double the USART Transmission Speed**

This bit only has effect for the asynchronous operation. Write this bit to zero when using synchronous operation. Writing this bit to one will reduce the divisor of the baud rate divider from 16 to 8 effectively doubling the transfer rate for asynchronous communication.

- **Bit 0 – MPCM0 - Multi-processor Communication Mode**

This bit enables the Multi-processor Communication mode. When the MPCM0 bit is written to one, all the incoming frames received by the USART Receiver that do not contain address information will be ignored. The Transmitter is unaffected by the MPCM0 setting. For more detailed information see section "Multi-processor Communication Mode".

### 23.10.3 UCSR0B – USART0 Control and Status Register B

| Bit           | 7             | 6             | 5             | 4            | 3            | 2             | 1            | 0            |               |
|---------------|---------------|---------------|---------------|--------------|--------------|---------------|--------------|--------------|---------------|
| NA (\$C1)     | <b>RXCIE0</b> | <b>TXCIE0</b> | <b>UDRIE0</b> | <b>RXEN0</b> | <b>TXEN0</b> | <b>UCSZ02</b> | <b>RXB80</b> | <b>TXB80</b> | <b>UCSR0B</b> |
| Read/Write    | RW            | RW            | RW            | RW           | RW           | RW            | R            | W            |               |
| Initial Value | 0             | 0             | 1             | 0            | 0            | 0             | 0            | 0            |               |

- **Bit 7 – RXCIE0 - RX Complete Interrupt Enable**

Writing this bit to one enables interrupt on the RXC0 Flag. A USART Receive Complete interrupt will be generated only if the RXCIE0 bit is written to one, the Global Interrupt Flag in SREG is written to one and the RXC0 bit in UCSR0A is set.

- **Bit 6 – TXCIE0 - TX Complete Interrupt Enable**

Writing this bit to one enables interrupt on the TXC0 Flag. A USART Transmit Complete interrupt will be generated only if the TXCIE0 bit is written to one, the Global Interrupt Flag in SREG is written to one and the TXC0 bit in UCSR0A is set.

- **Bit 5 – UDRIE0 - USART Data Register Empty Interrupt Enable**

Writing this bit to one enables interrupt on the UDRE0 Flag. A Data Register Empty interrupt will be generated only if the UDRIE0 bit is written to one, the Global Interrupt Flag in SREG is written to one and the UDRE0 bit in UCSR0A is set.

- **Bit 4 – RXEN0 - Receiver Enable**

Writing this bit to one enables the USART Receiver. The Receiver will override normal port operation for the RxD0 pin when enabled. Disabling the Receiver will flush the receive buffer invalidating the FE0, DOR0 and UPE0 Flags.

- **Bit 3 – TXEN0 - Transmitter Enable**

Writing this bit to one enables the USART Transmitter. The Transmitter will override normal port operation for the TxD0 pin when enabled. The disabling of the Transmitter (writing TXEN0 to zero) will not become effective until ongoing and pending transmissions are completed, i.e., when the Transmit Shift Register and Transmit Buffer Register do not contain data to be transmitted. When disabled, the Transmitter will no longer override the TxD0 port.

- **Bit 2 – UCSZ02 - Character Size**

The UCSZ02 bits combined with the UCSZ01:0 bit in UCSR0C sets the number of data bits (Character Size) in the frame that the Receiver and Transmitter use.

- **Bit 1 – RXB80 - Receive Data Bit 8**

RXB80 is the 9th data bit of the received character when operating with serial frames with nine data bits. The bit must be read before reading the lower 8 bits from UDR0.

- **Bit 0 – TXB80 - Transmit Data Bit 8**

TXB80 is the 9th data bit in the character to be transmitted when operating with serial frames with nine data bits. The bit must be written before writing the lower 8 bits to UDR0.

## 23.10.4 UCSR0C – USART0 Control and Status Register C

|               |   |    |    |    |    |    |    |    |        |
|---------------|---|----|----|----|----|----|----|----|--------|
| Bit           | 7   | 6  | 5  | 4  | 3  | 2  | 1  | 0  |        |
| NA (\$C2)     | <b>UMSEL01 UMSEL00 UPM01 UPM00 USBS0 UCSZ01 UCSZ00 UCPOL0</b> |    |    |    |    |    |    |    | UCSR0C |
| Read/Write    | RW  | RW | RW | RW | RW | RW | RW | RW |        |
| Initial Value | 0   | 0  | 0  | 0  | 0  | 0  | 1  | 0  |        |

- **Bit 7:6 – UMSEL1:0 - USART Mode Select**

These bits select the mode of operation of the USART0 as shown in the following table. See section "USART in SPI Mode" for a full description of the Master SPI Mode (MSPiM) operation.

**Table 23-4** UMSEL0 Register Bits

| Register Bits | Value | Description        |
|---------------|-------|--------------------|
| UMSEL1:0      | 0x00  | Asynchronous USART |
|               | 0x01  | Synchronous USART  |
|               | 0x02  | Reserved           |
|               | 0x03  | Master SPI (MSPiM) |

- **Bit 5:4 – UPM1:0 - Parity Mode**

These bits enable and set type of parity generation and check. If enabled, the Transmitter will automatically generate and send the parity of the transmitted data bits within each frame. The Receiver will generate a parity value for the incoming data and

compare it to the UPM0 setting. If a mismatch is detected, the UPE0 Flag in UCSR0A will be set.

**Table 23-5 UPM0 Register Bits**

| Register Bits | Value | Description          |
|---------------|-------|----------------------|
| UPM1:0        | 0x00  | Disabled             |
|               | 0x01  | Reserved             |
|               | 0x02  | Enabled, Even Parity |
|               | 0x03  | Enabled, Odd Parity  |

- **Bit 3 – USBS0 - Stop Bit Select**

This bit selects the number of stop bits to be inserted by the Transmitter. The Receiver ignores this setting.

**Table 23-6 USBS0 Register Bits**

| Register Bits | Value | Description |
|---------------|-------|-------------|
| USBS0         | 0x00  | 1-bit       |
|               | 0x01  | 2-bit       |

- **Bit 2:1 – UCSZ1:0 - Character Size**

The UCSZ01:0 bits combined with the UCSZ02 bit in UCSR0B sets the number of data bits (Character Size) in the frame that the Receiver and Transmitter use.

**Table 23-7 UCSZ0 Register Bits**

| Register Bits | Value | Description |
|---------------|-------|-------------|
| UCSZ1:0       | 0     | 5-bit       |
|               | 1     | 6-bit       |
|               | 2     | 7-bit       |
|               | 3     | 8-bit       |
|               | 4     | Reserved    |
|               | 5     | Reserved    |
|               | 6     | Reserved    |
|               | 7     | 9-bit       |

- **Bit 0 – UCPOL0 - Clock Polarity**

This bit is used for synchronous mode only. Write this bit to zero when asynchronous mode is used. The UCPOL0 bit sets the relationship between data output change and data input sample, and the synchronous clock (XCK0).

**Table 23-8 UCPOL0 Register Bits**

| Register Bits | Value | Description  |
|---------------|-------|--|
| UCPOL0        | 0     | Rising XCKn Edge (Transmitted Data Changed), Falling XCKn Edge (Received Data Sampled) |
|               | 1     | Falling XCKn Edge (Transmitted Data Changed), Rising XCKn Edge (Received Data Sampled) |

## 23.10.5 UBRR0H – USART0 Baud Rate Register High Byte

|               |             |             |             |             |               |               |              |              |               |
|---------------|-------------|-------------|-------------|-------------|---------------|---------------|--------------|--------------|---------------|
| Bit           | 7           | 6           | 5           | 4           | 3             | 2             | 1            | 0            |               |
| NA (\$C5)     | <b>Res3</b> | <b>Res2</b> | <b>Res1</b> | <b>Res0</b> | <b>UBRR11</b> | <b>UBRR10</b> | <b>UBRR9</b> | <b>UBRR8</b> | <b>UBRR0H</b> |
| Read/Write    | R           | R           | R           | R           | RW            | RW            | RW           | RW           |               |
| Initial Value | 0           | 0           | 0           | 0           | 0             | 0             | 0            | 0            |               |

UBRR0 is a 12-bit register which contains the USART baud rate. The UBRR0H contains the four most significant bits, and the UBRR0L contains the eight least significant bits of the USART baud rate. Ongoing transmissions by the Transmitter and Receiver will be corrupted if the baud rate is changed. Writing UBRR0L will trigger an immediate update of the baud rate prescaler.

- **Bit 7:4 – Res3:0 - Reserved Bit**

This bit is reserved for future use. A read access always will return zero. A write access does not modify the content.

- **Bit 3:0 – UBRR11:8 - USART Baud Rate Register**

These bits represent bits [11:8] of the Baud Rate Register. Sample values for commonly used clock frequencies can be found in section "Examples of Baud Rate Setting".

## 23.10.6 UBRR0L – USART0 Baud Rate Register Low Byte

|               |              |              |              |              |              |              |              |              |               |
|---------------|--------------|--------------|--------------|--------------|--------------|--------------|--------------|--------------|---------------|
| Bit           | 7            | 6            | 5            | 4            | 3            | 2            | 1            | 0            |               |
| NA (\$C4)     | <b>UBRR7</b> | <b>UBRR6</b> | <b>UBRR5</b> | <b>UBRR4</b> | <b>UBRR3</b> | <b>UBRR2</b> | <b>UBRR1</b> | <b>UBRR0</b> | <b>UBRR0L</b> |
| Read/Write    | RW           | RW           | RW           | RW           | RW           | RW           | RW           | RW           |               |
| Initial Value | 0            | 0            | 0            | 0            | 0            | 0            | 0            | 0            |               |

UBRR0 is a 12-bit register which contains the USART baud rate. The UBRR0H contains the four most significant bits, and the UBRR0L contains the eight least significant bits of the USART baud rate. Ongoing transmissions by the Transmitter and Receiver will be corrupted if the baud rate is changed. Writing UBRR0L will trigger an immediate update of the baud rate prescaler.

- **Bit 7:0 – UBRR7:0 - USART Baud Rate Register**

These bits represent bits [7:0] of the Baud Rate Register. Sample values for commonly used clock frequencies can be found in section "Examples of Baud Rate Setting".

## 23.10.7 UDR1 – USART1 I/O Data Register

|               |                 |    |    |    |    |    |    |    |             |
|---------------|-----------------|----|----|----|----|----|----|----|-------------|
| Bit           | 7               | 6  | 5  | 4  | 3  | 2  | 1  | 0  |             |
| NA (\$CE)     | <b>UDR17:10</b> |    |    |    |    |    |    |    | <b>UDR1</b> |
| Read/Write    | RW              | RW | RW | RW | RW | RW | RW | RW |             |
| Initial Value | 0               | 0  | 0  | 0  | 0  | 0  | 0  | 0  |             |

The USART Transmit Data Buffer Register and USART Receive Data Buffer Registers share the same I/O address referred to as USART Data Register or UDR1. The Transmit Data Buffer Register (TXB) will be the destination for data written to the UDR1 Register location. Reading the UDR1 Register location will return the contents of the



Receive Data Buffer Register (RXB). For 5-, 6-, or 7-bit characters the upper unused bits will be ignored by the Transmitter and set to zero by the Receiver. The transmit buffer can only be written when the UDRE1 Flag in the UCSR1A Register is set. Data written to UDR1 when the UDRE1 Flag is not set, will be ignored by the USART Transmitter. When data is written to the transmit buffer and the Transmitter is enabled, the Transmitter will load the data into the Transmit Shift Register when the Shift Register is empty. Then the data will be serially transmitted on the TxD1 pin. The receive buffer consists of a two level FIFO. The FIFO will change its state whenever the receive buffer is accessed. Due to this behavior of the receive buffer, do not use Read-Modify-Write instructions (SBI and CBI) on this location. Be careful when using bit test instructions (SBIC and SBIS), since these also will change the state of the FIFO.

- **Bit 7:0 – UDR17:10 - USART I/O Data Register**

### 23.10.8 UCSR1A – USART1 Control and Status Register A

| Bit           | 7           | 6           | 5            | 4          | 3           | 2           | 1           | 0            |        |
|---------------|-------------|-------------|--------------|------------|-------------|-------------|-------------|--------------|--------|
| NA (\$C8)     | <b>RXC1</b> | <b>TXC1</b> | <b>UDRE1</b> | <b>FE1</b> | <b>DOR1</b> | <b>UPE1</b> | <b>U2X1</b> | <b>MPCM1</b> | UCSR1A |
| Read/Write    | R           | RW          | R            | R          | R           | R           | RW          | RW           |        |
| Initial Value | 0           | 0           | 1            | 0          | 0           | 0           | 0           | 0            |        |

- **Bit 7 – RXC1 - USART Receive Complete**

This flag bit is set when there are unread data in the receive buffer and cleared when the receive buffer is empty (i.e., does not contain any unread data). If the Receiver is disabled, the receive buffer will be flushed and consequently the RXC1 bit will become zero. The RXC1 Flag can be used to generate a Receive Complete interrupt (see description of the RXCIE1 bit).

- **Bit 6 – TXC1 - USART Transmit Complete**

This flag bit is set when the entire frame in the Transmit Shift Register has been shifted out and there are no new data currently present in the transmit buffer (UDR1). The TXC1 Flag bit is automatically cleared when a transmit complete interrupt is executed, or it can be cleared by writing a one to its bit location. The TXC1 Flag can generate a Transmit Complete interrupt (see description of the TXCIE1 bit).

- **Bit 5 – UDRE1 - USART Data Register Empty**

The UDRE1 Flag indicates if the transmit buffer (UDR1) is ready to receive new data. If UDRE1 is one, the buffer is empty, and therefore ready to be written. The UDRE1 Flag can generate a Data Register Empty interrupt (see description of the UDRIE1 bit). UDRE1 is set after a reset to indicate that the Transmitter is ready.

- **Bit 4 – FE1 - Frame Error**

This bit is set if the next character in the receive buffer had a Frame Error when received. I.e., when the first stop bit of the next character in the receive buffer is zero. This bit is valid until the receive buffer (UDR1) is read. The FE1 bit is zero when the stop bit of received data is one. Always set this bit to zero when writing to UCSR1A.

- **Bit 3 – DOR1 - Data OverRun**

This bit is set if a Data OverRun condition is detected. A Data OverRun occurs when the receive buffer is full (two characters), it is a new character waiting in the Receive Shift Register and a new start bit is detected. This bit is valid until the receive buffer (UDR1) is read. Always set this bit to zero when writing to UCSR1A.

- **Bit 2 – UPE1 - USART Parity Error**



This bit is set if the next character in the receive buffer had a Parity Error when received and the Parity Checking was enabled at that point (UPM11 = 1). This bit is valid until the receive buffer (UDR1) is read. Always set this bit to zero when writing to UCSR1A.

- **Bit 1 – U2X1 - Double the USART Transmission Speed**

This bit only has effect for the asynchronous operation. Write this bit to zero when using synchronous operation. Writing this bit to one will reduce the divisor of the baud rate divider from 16 to 8 effectively doubling the transfer rate for asynchronous communication.

- **Bit 0 – MPCM1 - Multi-processor Communication Mode**

This bit enables the Multi-processor Communication mode. When the MPCM1 bit is written to one, all the incoming frames received by the USART Receiver that do not contain address information will be ignored. The Transmitter is unaffected by the MPCM1 setting. For more detailed information see section "Multi-processor Communication Mode".

## 23.10.9 UCSR1B – USART1 Control and Status Register B

| Bit           | 7             | 6             | 5             | 4            | 3            | 2             | 1            | 0            |               |
|---------------|---------------|---------------|---------------|--------------|--------------|---------------|--------------|--------------|---------------|
| NA (\$C9)     | <b>RXCIE1</b> | <b>TXCIE1</b> | <b>UDRIE1</b> | <b>RXEN1</b> | <b>TXEN1</b> | <b>UCSZ12</b> | <b>RXB81</b> | <b>TXB81</b> | <b>UCSR1B</b> |
| Read/Write    | RW            | RW            | RW            | RW           | RW           | RW            | R            | W            |               |
| Initial Value | 0             | 0             | 1             | 0            | 0            | 0             | 0            | 0            |               |

- **Bit 7 – RXCIE1 - RX Complete Interrupt Enable**

Writing this bit to one enables interrupt on the RXC1 Flag. A USART Receive Complete interrupt will be generated only if the RXCIE1 bit is written to one, the Global Interrupt Flag in SREG is written to one and the RXC1 bit in UCSR1A is set.

- **Bit 6 – TXCIE1 - TX Complete Interrupt Enable**

Writing this bit to one enables interrupt on the TXC1 Flag. A USART Transmit Complete interrupt will be generated only if the TXCIE1 bit is written to one, the Global Interrupt Flag in SREG is written to one and the TXC1 bit in UCSR1A is set.

- **Bit 5 – UDRIE1 - USART Data Register Empty Interrupt Enable**

Writing this bit to one enables interrupt on the UDRE1 Flag. A Data Register Empty interrupt will be generated only if the UDRIE1 bit is written to one, the Global Interrupt Flag in SREG is written to one and the UDRE1 bit in UCSR1A is set.

- **Bit 4 – RXEN1 - Receiver Enable**

Writing this bit to one enables the USART Receiver. The Receiver will override normal port operation for the RxD1 pin when enabled. Disabling the Receiver will flush the receive buffer invalidating the FE1, DOR1 and UPE1 Flags.

- **Bit 3 – TXEN1 - Transmitter Enable**

Writing this bit to one enables the USART Transmitter. The Transmitter will override normal port operation for the TxD1 pin when enabled. The disabling of the Transmitter (writing TXEN1 to zero) will not become effective until ongoing and pending transmissions are completed, i.e., when the Transmit Shift Register and Transmit Buffer Register do not contain data to be transmitted. When disabled, the Transmitter will no longer override the TxD1 port.

- **Bit 2 – UCSZ12 - Character Size**

The UCSZ12 bits combined with the UCSZ11:0 bit in UCSR1C sets the number of data bits (Character Size) in the frame that the Receiver and Transmitter use.

- **Bit 1 – RXB81 - Receive Data Bit 8**

RXB81 is the 9th data bit of the received character when operating with serial frames with nine data bits. The bit must be read before reading the lower 8 bits from UDR1.

- **Bit 0 – TXB81 - Transmit Data Bit 8**

TXB81 is the 9th data bit in the character to be transmitted when operating with serial frames with nine data bits. The bit must be written before writing the lower 8 bits to UDR1.

### 23.10.10 UCSR1C – USART1 Control and Status Register C

|               |                |                |              |              |              |               |               |               |        |
|---------------|----------------|----------------|--------------|--------------|--------------|---------------|---------------|---------------|--------|
| Bit           | 7              | 6              | 5            | 4            | 3            | 2             | 1             | 0             |        |
| NA (\$CA)     | <b>UMSEL11</b> | <b>UMSEL10</b> | <b>UPM11</b> | <b>UPM10</b> | <b>USBS1</b> | <b>UCSZ11</b> | <b>UCSZ10</b> | <b>UCPOL1</b> | UCSR1C |
| Read/Write    | RW             | RW             | RW           | RW           | RW           | RW            | RW            | RW            |        |
| Initial Value | 0              | 0              | 0            | 0            | 0            | 1             | 1             | 0             |        |

- **Bit 7:6 – UMSEL11:10 - USART Mode Select**

These bits select the mode of operation of the USART1 as shown in the following table. See section "USART in SPI Mode" for a full description of the Master SPI Mode (MSPIM) operation.

**Table 23-9** UMSEL1 Register Bits

| Register Bits | Value | Description        |
|---------------|-------|--------------------|
| UMSEL11:10    | 0x00  | Asynchronous USART |
|               | 0x01  | Synchronous USART  |
|               | 0x02  | Reserved           |
|               | 0x03  | Master SPI (MSPIM) |

- **Bit 5:4 – UPM11:10 - Parity Mode**

These bits enable and set type of parity generation and check. If enabled, the Transmitter will automatically generate and send the parity of the transmitted data bits within each frame. The Receiver will generate a parity value for the incoming data and compare it to the UPM1 setting. If a mismatch is detected, the UPE1 Flag in UCSR1A will be set.

**Table 23-10** UPM1 Register Bits

| Register Bits | Value | Description          |
|---------------|-------|----------------------|
| UPM11:10      | 0x00  | Disabled             |
|               | 0x01  | Reserved             |
|               | 0x02  | Enabled, Even Parity |
|               | 0x03  | Enabled, Odd Parity  |

- **Bit 3 – USBS1 - Stop Bit Select**

This bit selects the number of stop bits to be inserted by the Transmitter. The Receiver ignores this setting.

**Table 23-11** USBS1 Register Bits

| Register Bits | Value | Description |
|---------------|-------|-------------|
| USBS1         | 0x00  | 1-bit       |
|               | 0x01  | 2-bit       |

- **Bit 2:1 – UCSZ11:10 - Character Size**

The UCSZ11:0 bits combined with the UCSZ12 bit in UCSR1B sets the number of data bits (Character Size) in the frame that the Receiver and Transmitter use.

**Table 23-12** UCSZ1 Register Bits

| Register Bits | Value | Description |
|---------------|-------|-------------|
| UCSZ11:10     | 0     | 5-bit       |
|               | 1     | 6-bit       |
|               | 2     | 7-bit       |
|               | 3     | 8-bit       |
|               | 4     | Reserved    |
|               | 5     | Reserved    |
|               | 6     | Reserved    |
|               | 7     | 9-bit       |

- **Bit 0 – UCPOL1 - Clock Polarity**

This bit is used for synchronous mode only. Write this bit to zero when asynchronous mode is used. The UCPOL1 bit sets the relationship between data output change and data input sample, and the synchronous clock (XCK1).

**Table 23-13** UCPOL1 Register Bits

| Register Bits | Value | Description  |
|---------------|-------|--|
| UCPOL1        | 0     | Rising XCKn Edge (Transmitted Data Changed), Falling XCKn Edge (Received Data Sampled) |
|               | 1     | Falling XCKn Edge (Transmitted Data Changed), Rising XCKn Edge (Received Data Sampled) |

### 23.10.11 UBRR1H – USART1 Baud Rate Register High Byte

| Bit           | 7           | 6           | 5           | 4           | 3             | 2             | 1            | 0            |               |
|---------------|-------------|-------------|-------------|-------------|---------------|---------------|--------------|--------------|---------------|
| NA (\$CD)     | <b>Res3</b> | <b>Res2</b> | <b>Res1</b> | <b>Res0</b> | <b>UBRR11</b> | <b>UBRR10</b> | <b>UBRR9</b> | <b>UBRR8</b> | <b>UBRR1H</b> |
| Read/Write    | R           | R           | R           | R           | RW            | RW            | RW           | RW           |               |
| Initial Value | 0           | 0           | 0           | 0           | 0             | 0             | 0            | 0            |               |

UBRR1 is a 12-bit register which contains the USART baud rate. The UBRR1H contains the four most significant bits, and the UBRR1L contains the eight least significant bits of the USART baud rate. Ongoing transmissions by the Transmitter and Receiver will be corrupted if the baud rate is changed. Writing UBRR1L will trigger an immediate update of the baud rate prescaler.

- **Bit 7:4 – Res3:0 - Reserved Bit**

This bit is reserved for future use. A read access always will return zero. A write access does not modify the content.

• **Bit 3:0 – UBRR11:8 - USART Baud Rate Register**

These bits represent bits [11:8] of the Baud Rate Register. Sample values for commonly used clock frequencies can be found in section "Examples of Baud Rate Setting".

**23.10.12 UBRR1L – USART1 Baud Rate Register Low Byte**

|               |              |              |              |              |              |              |              |              |        |
|---------------|--------------|--------------|--------------|--------------|--------------|--------------|--------------|--------------|--------|
| Bit           | 7            | 6            | 5            | 4            | 3            | 2            | 1            | 0            |        |
| NA (\$CC)     | <b>UBRR7</b> | <b>UBRR6</b> | <b>UBRR5</b> | <b>UBRR4</b> | <b>UBRR3</b> | <b>UBRR2</b> | <b>UBRR1</b> | <b>UBRR0</b> | UBRR1L |
| Read/Write    | RW           | RW           | RW           | RW           | RW           | RW           | RW           | RW           |        |
| Initial Value | 0            | 0            | 0            | 0            | 0            | 0            | 0            | 0            |        |

UBRR1 is a 12-bit register which contains the USART baud rate. The UBRR1H contains the four most significant bits, and the UBRR1L contains the eight least significant bits of the USART baud rate. Ongoing transmissions by the Transmitter and Receiver will be corrupted if the baud rate is changed. Writing UBRR1L will trigger an immediate update of the baud rate prescaler.

• **Bit 7:0 – UBRR7:0 - USART Baud Rate Register**

These bits represent bits [7:0] of the Baud Rate Register. Sample values for commonly used clock frequencies can be found in section "Examples of Baud Rate Setting".

**23.11 Examples of Baud Rate Setting**

For standard crystal and resonator frequencies, the most commonly used baud rates for asynchronous operation can be generated by using the UBRR settings in [Table 23-14 below](#) to [Table 23-16 on page 398](#). UBRR values which yield an actual baud rate differing less than 0.5% from the target baud rate, are bold in the table. Higher error ratings are acceptable, but the Receiver will have less noise resistance when the error ratings are high, especially for large serial frames (see ["Asynchronous Operational Range" on page 384](#)). The error values are calculated using the following equation:

$$Error [\%] = \left( \frac{BaudRate_{Closest\ Match}}{BaudRate} - 1 \right) \cdot 100\%$$

**Table 23-14.** Examples of UBRR<sub>n</sub> Settings for Commonly Used Oscillator Frequencies

| Baud Rate (bps) | fosc = 1.8432 MHz |       |          |       | fosc = 2.0000 MHz |       |          |       | fosc = 3.6864 MHz |       |          |       |
|-----------------|-------------------|-------|----------|-------|-------------------|-------|----------|-------|-------------------|-------|----------|-------|
|                 | U2Xn = 0          |       | U2Xn = 1 |       | U2Xn = 0          |       | U2Xn = 1 |       | U2Xn = 0          |       | U2Xn = 1 |       |
|                 | UBRR              | Error | UBRR     | Error | UBRR              | Error | UBRR     | Error | UBRR              | Error | UBRR     | Error |
| 2400            | 47                | 0.0%  | 95       | 0.0%  | 51                | 0.2%  | 103      | 0.2%  | 95                | 0.0%  | 191      | 0.0%  |
| 4800            | 23                | 0.0%  | 47       | 0.0%  | 25                | 0.2%  | 51       | 0.2%  | 47                | 0.0%  | 95       | 0.0%  |
| 9600            | 11                | 0.0%  | 23       | 0.0%  | 12                | 0.2%  | 25       | 0.2%  | 23                | 0.0%  | 47       | 0.0%  |
| 14.4k           | 7                 | 0.0%  | 15       | 0.0%  | 8                 | -3.5% | 16       | 2.1%  | 15                | 0.0%  | 31       | 0.0%  |
| 19.2k           | 5                 | 0.0%  | 11       | 0.0%  | 6                 | -7.0% | 12       | 0.2%  | 11                | 0.0%  | 23       | 0.0%  |
| 28.8k           | 3                 | 0.0%  | 7        | 0.0%  | 3                 | 8.5%  | 8        | -3.5% | 7                 | 0.0%  | 15       | 0.0%  |
| 38.4k           | 2                 | 0.0%  | 5        | 0.0%  | 2                 | 8.5%  | 6        | -7.0% | 5                 | 0.0%  | 11       | 0.0%  |

| Baud Rate (bps)     | fosc = 1.8432 MHz |        |            |       | fosc = 2.0000 MHz |        |          |       | fosc = 3.6864 MHz |       |            |       |
|---------------------|-------------------|--------|------------|-------|-------------------|--------|----------|-------|-------------------|-------|------------|-------|
|                     | U2Xn = 0          |        | U2Xn = 1   |       | U2Xn = 0          |        | U2Xn = 1 |       | U2Xn = 0          |       | U2Xn = 1   |       |
|                     | UBRR              | Error  | UBRR       | Error | UBRR              | Error  | UBRR     | Error | UBRR              | Error | UBRR       | Error |
| 57.6k               | 1                 | 0.0%   | 3          | 0.0%  | 1                 | 8.5%   | 3        | 8.5%  | 3                 | 0.0%  | 7          | 0.0%  |
| 76.8k               | 1                 | -25.0% | 2          | 0.0%  | 1                 | -18.6% | 2        | 8.5%  | 2                 | 0.0%  | 5          | 0.0%  |
| 115.2k              | 0                 | 0.0%   | 1          | 0.0%  | 0                 | 8.5%   | 1        | 8.5%  | 1                 | 0.0%  | 3          | 0.0%  |
| 230.4k              | -                 | -      | 0          | 0.0%  | -                 | -      | -        | -     | 0                 | 0.0%  | 1          | 0.0%  |
| 250k                | -                 | -      | -          | -     | -                 | -      | 0        | 0.0%  | 0                 | -7.8% | 1          | -7.8% |
| Max. <sup>(1)</sup> | 115.2 kbps        |        | 230.4 kbps |       | 125 kbps          |        | 250 kbps |       | 230.4 kbps        |       | 460.8 kbps |       |

Notes: 1. UBRR = 0, Error = 0.0%

**Table 23-15.** Examples of UBRRn Settings for Commonly Used Oscillator Frequencies (Continued)

| Baud Rate (bps)     | fosc = 4.0000 MHz |       |          |       | fosc = 7.3728 MHz |       |            |       | fosc = 8.0000 MHz |       |          |       |
|---------------------|-------------------|-------|----------|-------|-------------------|-------|------------|-------|-------------------|-------|----------|-------|
|                     | U2Xn = 0          |       | U2Xn = 1 |       | U2Xn = 0          |       | U2Xn = 1   |       | U2Xn = 0          |       | U2Xn = 1 |       |
|                     | UBRR              | Error | UBRR     | Error | UBRR              | Error | UBRR       | Error | UBRR              | Error | UBRR     | Error |
| 2400                | 103               | 0.2%  | 207      | 0.2%  | 191               | 0.0%  | 383        | 0.0%  | 207               | 0.2%  | 416      | -0.1% |
| 4800                | 51                | 0.2%  | 103      | 0.2%  | 95                | 0.0%  | 191        | 0.0%  | 103               | 0.2%  | 207      | 0.2%  |
| 9600                | 25                | 0.2%  | 51       | 0.2%  | 47                | 0.0%  | 95         | 0.0%  | 51                | 0.2%  | 103      | 0.2%  |
| 14.4k               | 16                | 2.1%  | 34       | -0.8% | 31                | 0.0%  | 63         | 0.0%  | 34                | -0.8% | 68       | 0.6%  |
| 19.2k               | 12                | 0.2%  | 25       | 0.2%  | 23                | 0.0%  | 47         | 0.0%  | 25                | 0.2%  | 51       | 0.2%  |
| 28.8k               | 8                 | -3.5% | 16       | 2.1%  | 15                | 0.0%  | 31         | 0.0%  | 16                | 2.1%  | 34       | -0.8% |
| 38.4k               | 6                 | -7.0% | 12       | 0.2%  | 11                | 0.0%  | 23         | 0.0%  | 12                | 0.2%  | 25       | 0.2%  |
| 57.6k               | 3                 | 8.5%  | 8        | -3.5% | 7                 | 0.0%  | 15         | 0.0%  | 8                 | -3.5% | 16       | 2.1%  |
| 76.8k               | 2                 | 8.5%  | 6        | -7.0% | 5                 | 0.0%  | 11         | 0.0%  | 6                 | -7.0% | 12       | 0.2%  |
| 115.2k              | 1                 | 8.5%  | 3        | 8.5%  | 3                 | 0.0%  | 7          | 0.0%  | 3                 | 8.5%  | 8        | -3.5% |
| 230.4k              | 0                 | 8.5%  | 1        | 8.5%  | 1                 | 0.0%  | 3          | 0.0%  | 1                 | 8.5%  | 3        | 8.5%  |
| 250k                | 0                 | 0.0%  | 1        | 0.0%  | 1                 | -7.8% | 3          | -7.8% | 1                 | 0.0%  | 3        | 0.0%  |
| 0.5M                | -                 | -     | 0        | 0.0%  | 0                 | -7.8% | 1          | -7.8% | 0                 | 0.0%  | 1        | 0.0%  |
| 1M                  | -                 | -     | -        | -     | -                 | -     | 0          | -7.8% | -                 | -     | 0        | 0.0%  |
| Max. <sup>(1)</sup> | 250 kbps          |       | 0.5 Mbps |       | 460.8 kbps        |       | 921.6 kbps |       | 0.5 Mbps          |       | 1 Mbps   |       |

Notes: 1. UBRR = 0, Error = 0.0%

**Table 23-16.** Examples of UBRR $n$  Settings for Commonly Used Oscillator Frequencies (Continued)

| Baud Rate (bps)     | fosc = 11.0592 MHz |       |             |       | fosc = 14.7456 MHz |       |             |       | fosc = 16.0000 MHz |       |             |       |
|---------------------|--------------------|-------|-------------|-------|--------------------|-------|-------------|-------|--------------------|-------|-------------|-------|
|                     | U2X $n$ = 0        |       | U2X $n$ = 1 |       | U2X $n$ = 0        |       | U2X $n$ = 1 |       | U2X $n$ = 0        |       | U2X $n$ = 1 |       |
|                     | UBRR               | Error | UBRR        | Error | UBRR               | Error | UBRR        | Error | UBRR               | Error | UBRR        | Error |
| 2400                | 287                | 0.0%  | 575         | 0.0%  | 383                | 0.0%  | 767         | 0.0%  | 416                | -0.1% | 832         | 0.0%  |
| 4800                | 143                | 0.0%  | 287         | 0.0%  | 191                | 0.0%  | 383         | 0.0%  | 207                | 0.2%  | 416         | -0.1% |
| 9600                | 71                 | 0.0%  | 143         | 0.0%  | 95                 | 0.0%  | 191         | 0.0%  | 103                | 0.2%  | 207         | 0.2%  |
| 14.4k               | 47                 | 0.0%  | 95          | 0.0%  | 63                 | 0.0%  | 127         | 0.0%  | 68                 | 0.6%  | 138         | -0.1% |
| 19.2k               | 35                 | 0.0%  | 71          | 0.0%  | 47                 | 0.0%  | 95          | 0.0%  | 51                 | 0.2%  | 103         | 0.2%  |
| 28.8k               | 23                 | 0.0%  | 47          | 0.0%  | 31                 | 0.0%  | 63          | 0.0%  | 34                 | -0.8% | 68          | 0.6%  |
| 38.4k               | 17                 | 0.0%  | 35          | 0.0%  | 23                 | 0.0%  | 47          | 0.0%  | 25                 | 0.2%  | 51          | 0.2%  |
| 57.6k               | 11                 | 0.0%  | 23          | 0.0%  | 15                 | 0.0%  | 31          | 0.0%  | 16                 | 2.1%  | 34          | -0.8% |
| 76.8k               | 8                  | 0.0%  | 17          | 0.0%  | 11                 | 0.0%  | 23          | 0.0%  | 12                 | 0.2%  | 25          | 0.2%  |
| 115.2k              | 5                  | 0.0%  | 11          | 0.0%  | 7                  | 0.0%  | 15          | 0.0%  | 8                  | -3.5% | 16          | 2.1%  |
| 230.4k              | 2                  | 0.0%  | 5           | 0.0%  | 3                  | 0.0%  | 7           | 0.0%  | 3                  | 8.5%  | 8           | -3.5% |
| 250k                | 2                  | -7.8% | 5           | -7.8% | 3                  | -7.8% | 6           | 5.3%  | 3                  | 0.0%  | 7           | 0.0%  |
| 0.5M                | -                  | -     | 2           | -7.8% | 1                  | -7.8% | 3           | -7.8% | 1                  | 0.0%  | 3           | 0.0%  |
| 1M                  | -                  | -     | -           | -     | 0                  | -7.8% | 1           | -7.8% | 0                  | 0.0%  | 1           | 0.0%  |
| Max. <sup>(1)</sup> | 691.2 kbps         |       | 1.3824 Mbps |       | 921.6 kbps         |       | 1.8432 Mbps |       | 1 Mbps             |       | 2 Mbps      |       |

Notes: 1. UBRR = 0, Error = 0.0%

## 24 USART in SPI Mode

The Universal Synchronous and Asynchronous Serial Receiver and Transmitter (USART) can be set to a master SPI compliant mode of operation. The Master SPI Mode (MSPIM) has the following features:

- **Full duplex, three-wire synchronous data transfer**
- **Master operation**
- **Supports all four SPI modes of operation (mode 0, 1, 2, and 3)**
- **LSB first or MSB first data transfer (configurable data order)**
- **Queued operation (double buffered)**
- **High resolution baud rate generator**
- **High speed operation ( $f_{XCK,MAX} = f_{CK}/2$ )**
- **Flexible interrupt generation**

### 24.1 Overview

Setting both UMSELn1:0 bits to one enables the USART in MSPIM logic. In this mode of operation the SPI master control logic takes direct control over the USART resources. These resources include the transmitter and receiver shift register and buffers, and the baud rate generator. The parity generator and checker, the data and clock recovery logic, and the RX and TX control logic is disabled. The USART RX and TX control logic is replaced by a common SPI transfer control logic. However, the pin control logic and interrupt generation logic is identical in both modes of operation.

The I/O register locations are the same in both modes. However, some of the functionality of the control registers changes when using MSPIM.

### 24.2 USART MSPIM vs. SPI

The ATmega2564/1284/644RFR2 USART in MSPIM mode is fully compatible with the ATmega2564/1284/644RFR2 SPI regarding:

- Master mode timing diagram.
- The UCPOLn bit functionality is identical to the SPI CPOL bit.
- The UCPHAn bit functionality is identical to the SPI CPHA bit.
- The UDORDn bit functionality is identical to the SPI DORD bit.

However, since the USART in MSPIM mode reuses the USART resources, the use of the USART in MSPIM mode is somewhat different compared to the SPI. In addition to differences of the control register bits, and that only master operation is supported by the USART in MSPIM mode, the following features differ between the two modules:

- The USART in MSPIM mode includes (double) buffering of the transmitter. The SPI has no buffer.
- The USART in MSPIM mode receiver includes an additional buffer level.
- The SPI WCOL (Write Collision) bit is not included in USART in MSPIM mode.
- The SPI double speed mode (SPI2X) bit is not included. However, the same effect is achieved by setting UBRRn accordingly.
- Interrupt timing is not compatible.
- Pin control differs due to the master only operation of the USART in MSPIM mode.

A comparison of the USART in MSPIM mode and the SPI pins is shown in [Table 24–3 on page 404](#).

## 24.2.1 Clock Generation

The Clock Generation logic generates the base clock for the Transmitter and Receiver. For USART MSPIM mode of operation only internal clock generation (i.e. master operation) is supported. The Data Direction Register for the XCKn pin (DDR\_XCKn) must therefore be set to one (i.e. as output) for the USART in MSPIM to operate correctly. Preferably the DDR\_XCKn should be set up before the USART in MSPIM is enabled (i.e. TXENn and RXENn bit set to one).

The internal clock generation used in MSPIM mode is identical to the USART synchronous master mode. The baud rate or UBRRn setting can therefore be calculated using the same equations, see [Table 24-1](#) below:

**Table 24-1.** Equations for Calculating Baud Rate Register Setting

| Operating Mode          | Equation for Calculating Baud Rate <sup>(1)</sup> | Equation for Calculating UBRR Value  |
|-------------------------|---|--------------------------------------|
| Synchronous Master mode | $BAUD = \frac{f_{osc}}{2(UBRRn + 1)}$             | $UBRRn = \frac{f_{osc}}{2 BAUD} - 1$ |

Note: The Baud rate is defined to be the transfer rate in bit per second (bps)

**BAUD** Baud rate (in bits per second, bps)

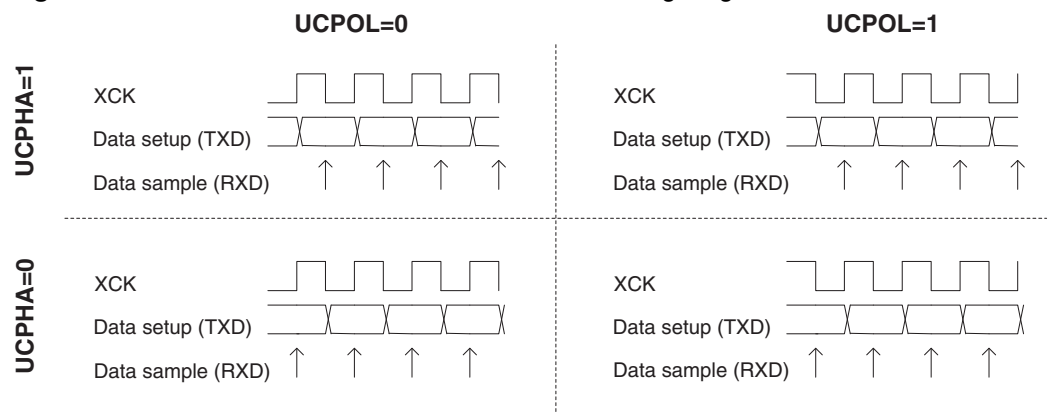
**f<sub>osc</sub>** System Oscillator clock frequency

**UBRRn** Contents of the UBRRHn and UBRRLn Registers, (0-4095)

## 24.3 SPI Data Modes and Timing

There are four combinations of XCKn (SCK) phase and polarity with respect to serial data, which are determined by control bits UCPHAN and UCPOLn. The data transfer timing diagrams are shown in [Figure 24-1](#) below. Data bits are shifted out and latched in on opposite edges of the XCKn signal, ensuring sufficient time for data signals to stabilize. The UCPOLn and UCPHAN functionality is summarized in [Table 24-2](#) below. Note that changing the setting of any of these bits will corrupt all ongoing communication for both the receiver and transmitter.

**Figure 24-1.** UCPHAN and UCPOLn data transfer timing diagrams



**Table 24-2.** UCPOLn and UCPHAN Functionality

| UCPOLn | UCPHAn | SPI Mode | Leading Edge     | Trailing Edge    |
|--------|--------|----------|------------------|------------------|
| 0      | 0      | 0        | Sample (Rising)  | Setup (Falling)  |
| 0      | 1      | 1        | Setup (Rising)   | Sample (Falling) |
| 1      | 0      | 2        | Sample (Falling) | Setup (Rising)   |



| UCPOLn | UCPHAn | SPI Mode | Leading Edge    | Trailing Edge   |
|--------|--------|----------|-----------------|-----------------|
| 1      | 1      | 3        | Setup (Falling) | Sample (Rising) |

## 24.4 Frame Formats

A serial frame for the MSPIM is defined to be one character of 8 data bits. The USART in MSPIM mode has two valid frame formats:

- 8-bit data with MSB first
- 8-bit data with LSB first

A frame starts with the least or most significant data bit. Then the next data bits, up to a total of eight, are succeeding, ending with the most or least significant bit accordingly. When a complete frame is transmitted, a new frame can directly follow it, or the communication line can be set to an idle (high) state.

The UDORDn bit in UCSRnC sets the frame format used by the USART in MSPIM mode. The Receiver and Transmitter use the same setting. Note that changing the setting of any of these bits will corrupt all ongoing communication for both the Receiver and Transmitter.

16-bit data transfer can be achieved by writing two data bytes to UDRn. A UART transmit complete interrupt will then signal that the 16-bit value has been shifted out.

### 24.4.1 USART MSPIM Initialization

The USART in MSPIM mode has to be initialized before any communication can take place. The initialization process normally consists of setting the baud rate, setting master mode of operation (by setting DDR\_XCKn to one), setting frame format and enabling the Transmitter and the Receiver. Only the transmitter can operate independently. For interrupt driven USART operation, the Global Interrupt Flag should be cleared (and thus interrupts globally disabled) when doing the initialization.

**Note:** To ensure immediate initialization of the XCKn output the baud-rate register (UBRRn) must be zero at the time the transmitter is enabled. Contrary to the normal mode USART operation the UBRRn must then be written to the desired value after the transmitter is enabled, but before the first transmission is started. Setting UBRRn to zero before enabling the transmitter is not necessary if the initialization is done immediately after a reset since UBRRn is reset to zero.

Before doing a re-initialization with changed baud rate, data mode, or frame format, be sure that there is no ongoing transmissions during the period the registers are changed. The TXCn Flag can be used to check that the Transmitter has completed all transfers, and the RXCn Flag can be used to check that there are no unread data in the receive buffer. Note that the TXCn Flag must be cleared before each transmission (before UDRn is written) if it is used for this purpose.

The following simple USART initialization code examples show one assembly and one C function that are equal in functionality. The examples assume polling (no interrupts enabled). The baud rate is given as a function parameter. For the assembly code, the baud rate parameter is assumed to be stored in the r17:r16 registers.

## Assembly Code Example<sup>(1)</sup>

```

USART_Init:
    clr r18
    out UBRRnH,r18
    out UBRRnL,r18
    ; Setting the XCKn port pin as output, enables master mode.
    sbi XCKn_DDR, XCKn
    ; Set MSPI mode of operation and SPI data mode 0.
    ldi r18, (1<<UMSELn1)|(1<<UMSELn0)|(0<<UCPHAn)|(0<<UCPOLn)
    out UCSRnC,r18
    ; Enable receiver and transmitter.
    ldi r18, (1<<RXENn)|(1<<TXENn)
    out UCSRnB,r18 ; Set baud rate.
    ; IMPORTANT:
    ; The Baud Rate must be set after the transmitter is enabled!
    out UBRRnH, r17
    out UBRRnL, r18
    ret
    
```

## C Code Example<sup>(1)</sup>

```

void USART_Init( unsigned int baud )
{
    UBRRn = 0;
    /* Setting the XCKn port pin as output, enables master mode. */
    XCKn_DDR |= (1<<XCKn);
    /* Set MSPI mode of operation and SPI data mode 0. */
    UCSRnC = (1<<UMSELn1)|(1<<UMSELn0)|(0<<UCPHAn)|(0<<UCPOLn);
    /* Enable receiver and transmitter. */
    UCSRnB = (1<<RXENn)|(1<<TXENn);
    /* Set baud rate. */
    /* IMPORTANT:      */
    /* The Baud Rate must be set after the transmitter is enabled */
    UBRRn = baud;
}
    
```

Note: 1. See ["About Code Examples" on page 8](#)

## 24.5 Data Transfer

Using the USART in MSPI mode requires the Transmitter to be enabled, i.e. the TXENn bit in the UCSRnB register is set to one. When the Transmitter is enabled, the normal port operation of the TxDn pin is overridden and given the function as the Transmitter's serial output. Enabling the receiver is optional and is done by setting the RXENn bit in the UCSRnB register to one. When the receiver is enabled, the normal pin operation of the RxDn pin is overridden and given the function as the Receiver's serial input. The XCKn will in both cases be used as the transfer clock.

After initialization the USART is ready for doing data transfers. A data transfer is initiated by writing to the UDRn I/O location. This is the case for both sending and receiving data since the transmitter controls the transfer clock. The data written to

UDRn is moved from the transmit buffer to the shift register when the shift register is ready to send a new frame.

Note: To keep the input buffer in sync with the number of data bytes transmitted, the UDRn register must be read once for each byte transmitted. The input buffer operation is identical to normal USART mode, i.e. if an overflow occurs the character last received will be lost, not the first data in the buffer. This means that if four bytes are transferred, byte 1 first, then byte 2, 3, and 4, and the UDRn is not read before all transfers are completed, then byte 3 to be received will be lost, and not byte 1.

The following code examples show a simple USART in MSPIM mode transfer function based on polling of the Data Register Empty (UDREn) Flag and the Receive Complete (RXCn) Flag. The USART has to be initialized before the function can be used. For the assembly code, the data to be sent is assumed to be stored in Register r16 and the data received will be available in the same register (r16) after the function returns.

The function simply waits for the transmit buffer to be empty by checking the UDREn Flag, before loading it with new data to be transmitted. The function then waits for data to be present in the receive buffer by checking the RXCn Flag, before reading the buffer and returning the value.

| <b>Assembly Code Example<sup>(1)</sup></b>  |
|---|
| <pre> USART_MSPIM_Transfer:     ; Wait for empty transmit buffer     sbis UCSRnA, UDREn     rjmp USART_MSPIM_Transfer     ; Put data (r16) into buffer, sends the data     out UDRn,r16     ; Wait for data to be received USART_MSPIM_Wait_RXCn:     sbis UCSRnA, RXCn     rjmp USART_MSPIM_Wait_RXCn     ; Get and return received data from buffer     in r16, UDRn     ret         </pre> |
| <b>C Code Example<sup>(1)</sup></b>   |
| <pre> unsigned char USART_Receive( void ) {     /* Wait for empty transmit buffer */     while ( !( UCSRnA &amp; (1&lt;&lt;UDREn)) );     /* Put data into buffer, sends the data */     UDRn = data;     /* Wait for data to be received */     while ( !(UCSRnA &amp; (1&lt;&lt;RXCn)) );     /* Get and return received data from buffer */     return UDRn; }         </pre>              |

Notes: 1. See ["About Code Examples" on page 8](#)

## 24.5.1 Transmitter and Receiver Flags and Interrupts

The RXCn, TXCn, and UDREn flags and corresponding interrupts in USART in MSPIM mode are identical in function to the normal USART operation. However, the receiver error status flags (FE, DOR, and PE) are not in use and are always read as zero.

## 24.5.2 Disabling the Transmitter or Receiver

The disabling of the transmitter or receiver in USART in MSPIM mode is identical in function to the normal USART operation.

## 24.6 USART MSPIM Register Description

The following section describes the registers used for SPI operation using the USART.

### 24.6.1 UDRn – USART MSPIM I/O Data Register

The function and bit description of the USART data register (UDRn) in MSPI mode is identical to normal USART operation. See ["UDR0 – USART0 I/O Data Register" on page 387](#).

### 24.6.2 UBRRnL and UBRRnH – USART MSPIM Baud Rate Registers

The function and bit description of the baud rate registers in MSPI mode is identical to normal USART operation. See ["UBRR0L – USART0 Baud Rate Register Low Byte" on page 391](#) and ["UBRR0H – USART0 Baud Rate Register High Byte" on page 391](#).

**Table 24–3.** Comparison of USART in MSPIM mode and SPI pins

| USART_MSPIM | SPI  | Comment                         |
|-------------|------|---------------------------------|
| TxDn        | MOSI | Master Out only                 |
| RxDn        | MISO | Master In only                  |
| XCKn        | SCK  | (Functional identical)          |
| (N/A)       | SS   | Not supported by USART in MSPIM |

### 24.6.3 UCSR0A – USART0 MSPIM Control and Status Register A

|               |             |             |              |   |   |   |   |   |               |
|---------------|-------------|-------------|--------------|---|---|---|---|---|---------------|
| Bit           | 7           | 6           | 5            | 4 | 3 | 2 | 1 | 0 |               |
| NA (\$C0)     | <b>RXC0</b> | <b>TXC0</b> | <b>UDRE0</b> |   |   |   |   |   | <b>UCSR0A</b> |
| Read/Write    | R           | RW          | R            |   |   |   |   |   |               |
| Initial Value | 0           | 0           | 0            |   |   |   |   |   |               |

- **Bit 7 – RXC0 - USART Receive Complete**

This flag bit is set when there are unread data in the receive buffer and cleared when the receive buffer is empty (i.e., does not contain any unread data). If the Receiver is disabled, the receive buffer will be flushed and consequently the RXC0 bit will become zero. The RXC0 Flag can be used to generate a Receive Complete interrupt (see description of the RXCIE0 bit).

- **Bit 6 – TXC0 - USART Transmit Complete**

This flag bit is set when the entire frame in the Transmit Shift Register has been shifted out and there are no new data currently present in the transmit buffer (UDR0). The TXC0 Flag bit is automatically cleared when a transmit complete interrupt is executed, or it can be cleared by writing a one to its bit location. The TXC0 Flag can generate a Transmit Complete interrupt (see description of the TXCIE0 bit).

- **Bit 5 – UDRE0 - USART Data Register Empty**

The UDRE0 Flag indicates if the transmit buffer (UDR0) is ready to receive new data. If UDRE0 is one, the buffer is empty, and therefore ready to be written. The UDRE0 Flag can generate a Data Register Empty interrupt (see description of the UDRIE0 bit). UDRE0 is set after a reset to indicate that the Transmitter is ready.

## 24.6.4 UCSR0B – USART0 MSPIM Control and Status Register B

|               |               |               |               |              |              |   |   |   |        |
|---------------|---------------|---------------|---------------|--------------|--------------|---|---|---|--------|
| Bit           | 7             | 6             | 5             | 4            | 3            | 2 | 1 | 0 |        |
| NA (\$C1)     | <b>RXCIE0</b> | <b>TXCIE0</b> | <b>UDRIE0</b> | <b>RXEN0</b> | <b>TXEN0</b> |   |   |   | UCSR0B |
| Read/Write    | RW            | RW            | RW            | RW           | RW           |   |   |   |        |
| Initial Value | 0             | 0             | 1             | 0            | 0            |   |   |   |        |

- **Bit 7 – RXCIE0 - RX Complete Interrupt Enable**

Writing this bit to one enables interrupt on the RXC0 Flag. A USART Receive Complete interrupt will be generated only if the RXCIE0 bit is written to one, the Global Interrupt Flag in SREG is written to one and the RXC0 bit in UCSR0A is set.

- **Bit 6 – TXCIE0 - TX Complete Interrupt Enable**

Writing this bit to one enables interrupt on the TXC0 Flag. A USART Transmit Complete interrupt will be generated only if the TXCIE0 bit is written to one, the Global Interrupt Flag in SREG is written to one and the TXC0 bit in UCSR0A is set.

- **Bit 5 – UDRIE0 - USART Data Register Empty Interrupt Enable**

Writing this bit to one enables interrupt on the UDRE0 Flag. A Data Register Empty interrupt will be generated only if the UDRIE0 bit is written to one, the Global Interrupt Flag in SREG is written to one and the UDRE0 bit in UCSR0A is set.

- **Bit 4 – RXEN0 - Receiver Enable**

Writing this bit to one enables the USART Receiver in MSPIM mode. The Receiver will override normal port operation for the RxD0 pin when enabled. Disabling the Receiver will flush the receive buffer. Only enabling the receiver in MSPI mode (i.e. setting RXEN0=1 and TXEN0=0) has no meaning since it is the transmitter that controls the transfer clock and since only master mode is supported.

- **Bit 3 – TXEN0 - Transmitter Enable**

Writing this bit to one enables the USART Transmitter. The Transmitter will override normal port operation for the TxD0 pin when enabled. The disabling of the Transmitter (writing TXEN0 to zero) will not become effective until ongoing and pending transmissions are completed, i.e., when the Transmit Shift Register and Transmit Buffer Register do not contain data to be transmitted. When disabled, the Transmitter will no longer override the TxD0 port.

## 24.6.5 UCSR0C – USART0 MSPIM Control and Status Register C

|               |   |   |   |   |   |               |               |               |        |
|---------------|---|---|---|---|---|---------------|---------------|---------------|--------|
| Bit           | 7 | 6 | 5 | 4 | 3 | 2             | 1             | 0             |        |
| NA (\$C2)     |   |   |   |   |   | <b>UDORD0</b> | <b>UCPHA0</b> | <b>UCPOL0</b> | UCSR0C |
| Read/Write    |   |   |   |   |   | RW            | RW            | RW            |        |
| Initial Value |   |   |   |   |   | 1             | 1             | 0             |        |

- **Bit 2 – UDORD0 - Data Order**



When set to one the LSB of the data word is transmitted first. When set to zero the MSB of the data word is transmitted first. Refer to section "Frame Formats" for details.

- **Bit 1 – UCPHA0 - Clock Phase**

The UCPHA0 bit setting determines if data is sampled on the leading (first) or trailing (last) edge of XCK0. Refer to the section "SPI Data Modes and Timing" for details.

- **Bit 0 – UCPOLO - Clock Polarity**

The UCPOLO bit sets the polarity of the XCK0 clock. The combination of the UCPOLO and UCPHA0 bit settings determine the timing of the data transfer. Refer to the section "SPI Data Modes and Timing" for details.

## 24.6.6 UCSR1A – USART1 MSPIM Control and Status Register A

| Bit           | 7           | 6           | 5            | 4 | 3 | 2 | 1 | 0 |               |
|---------------|-------------|-------------|--------------|---|---|---|---|---|---------------|
| NA (\$C8)     | <b>RXC1</b> | <b>TXC1</b> | <b>UDRE1</b> |   |   |   |   |   | <b>UCSR1A</b> |
| Read/Write    | R           | RW          | R            |   |   |   |   |   |               |
| Initial Value | 0           | 0           | 0            |   |   |   |   |   |               |

- **Bit 7 – RXC1 - USART Receive Complete**

This flag bit is set when there are unread data in the receive buffer and cleared when the receive buffer is empty (i.e., does not contain any unread data). If the Receiver is disabled, the receive buffer will be flushed and consequently the RXC1 bit will become zero. The RXC1 Flag can be used to generate a Receive Complete interrupt (see description of the RXCIE1 bit).

- **Bit 6 – TXC1 - USART Transmit Complete**

This flag bit is set when the entire frame in the Transmit Shift Register has been shifted out and there are no new data currently present in the transmit buffer (UDR1). The TXC1 Flag bit is automatically cleared when a transmit complete interrupt is executed, or it can be cleared by writing a one to its bit location. The TXC1 Flag can generate a Transmit Complete interrupt (see description of the TXCIE1 bit).

- **Bit 5 – UDRE1 - USART Data Register Empty**

The UDRE1 Flag indicates if the transmit buffer (UDR1) is ready to receive new data. If UDRE1 is one, the buffer is empty, and therefore ready to be written. The UDRE1 Flag can generate a Data Register Empty interrupt (see description of the UDRIE1 bit). UDRE1 is set after a reset to indicate that the Transmitter is ready.

## 24.6.7 UCSR1B – USART1 MSPIM Control and Status Register B

| Bit           | 7             | 6             | 5             | 4            | 3            | 2 | 1 | 0 |               |
|---------------|---------------|---------------|---------------|--------------|--------------|---|---|---|---------------|
| NA (\$C9)     | <b>RXCIE1</b> | <b>TXCIE1</b> | <b>UDRIE1</b> | <b>RXEN1</b> | <b>TXEN1</b> |   |   |   | <b>UCSR1B</b> |
| Read/Write    | RW            | RW            | RW            | RW           | RW           |   |   |   |               |
| Initial Value | 0             | 0             | 1             | 0            | 0            |   |   |   |               |

- **Bit 7 – RXCIE1 - RX Complete Interrupt Enable**

Writing this bit to one enables interrupt on the RXC1 Flag. A USART Receive Complete interrupt will be generated only if the RXCIE1 bit is written to one, the Global Interrupt Flag in SREG is written to one and the RXC1 bit in UCSR1A is set.

- **Bit 6 – TXCIE1 - TX Complete Interrupt Enable**

Writing this bit to one enables interrupt on the TXC1 Flag. A USART Transmit Complete interrupt will be generated only if the TXCIE1 bit is written to one, the Global Interrupt Flag in SREG is written to one and the TXC1 bit in UCSR1A is set.

- **Bit 5 – UDRIE1 - USART Data Register Empty Interrupt Enable**

Writing this bit to one enables interrupt on the UDRE1 Flag. A Data Register Empty interrupt will be generated only if the UDRIE1 bit is written to one, the Global Interrupt Flag in SREG is written to one and the UDRE1 bit in UCSR1A is set.

- **Bit 4 – RXEN1 - Receiver Enable**

Writing this bit to one enables the USART Receiver in MSPIM mode. The Receiver will override normal port operation for the RxD1 pin when enabled. Disabling the Receiver will flush the receive buffer. Only enabling the receiver in MSPI mode (i.e. setting RXEN1=1 and TXEN1=0) has no meaning since it is the transmitter that controls the transfer clock and since only master mode is supported.

- **Bit 3 – TXEN1 - Transmitter Enable**

Writing this bit to one enables the USART Transmitter. The Transmitter will override normal port operation for the TxD1 pin when enabled. The disabling of the Transmitter (writing TXEN1 to zero) will not become effective until ongoing and pending transmissions are completed, i.e., when the Transmit Shift Register and Transmit Buffer Register do not contain data to be transmitted. When disabled, the Transmitter will no longer override the TxD1 port.

## 24.6.8 UCSR1C – USART1 MSPIM Control and Status Register C

| Bit           | 7 | 6 | 5 | 4 | 3 | 2      | 1      | 0      |        |
|---------------|---|---|---|---|---|--------|--------|--------|--------|
| NA (\$CA)     |   |   |   |   |   | UDORD1 | UCPHA1 | UCPOL1 | UCSR1C |
| Read/Write    |   |   |   |   |   | RW     | RW     | RW     |        |
| Initial Value |   |   |   |   |   | 1      | 1      | 0      |        |

- **Bit 2 – UDORD1 - Data Order**

When set to one the LSB of the data word is transmitted first. When set to zero the MSB of the data word is transmitted first. Refer to section "Frame Formats" for details.

- **Bit 1 – UCPHA1 - Clock Phase**

The UCPHA1 bit setting determines if data is sampled on the leading (first) or trailing (last) edge of XCK1. Refer to the section "SPI Data Modes and Timing" for details.

- **Bit 0 – UCPOL1 - Clock Polarity**

The UCPOL1 bit sets the polarity of the XCK1 clock. The combination of the UCPOL1 and UCPHA1 bit settings determine the timing of the data transfer. Refer to the section "SPI Data Modes and Timing" for details.

## 25 2-wire Serial Interface

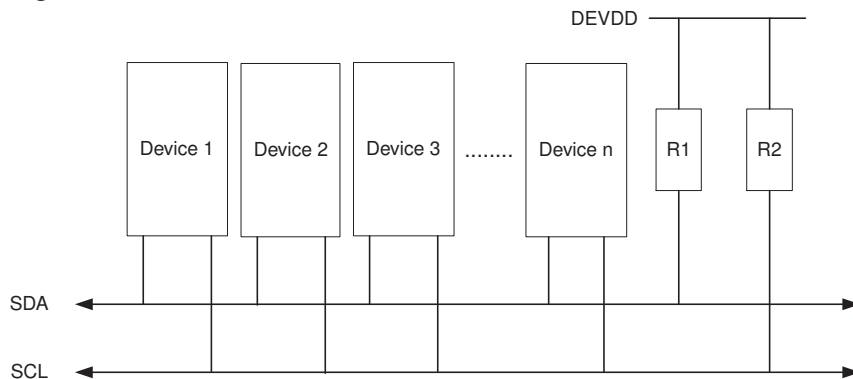
### 25.1 Features

- Simple yet powerful and flexible communication interface, only two bus lines needed
- Both master and slave operation supported
- Device can operate as transmitter or receiver
- 7-bit address space allows up to 128 different slave addresses
- Multi-master arbitration support
- Up to 400 kHz data transfer speed
- Slew-rate limited output drivers
- Noise suppression circuitry rejects spikes on bus lines
- Fully programmable slave address with general call support
- Address recognition causes wake-up when microcontroller is in sleep mode

### 25.2 2-wire Serial Interface Bus Definition

The 2-wire Serial Interface (TWI) is ideally suited for typical microcontroller applications. The TWI protocol allows the systems designer to interconnect up to 128 different devices using only two bi-directional bus lines, one for clock (SCL) and one for data (SDA). The only external hardware needed to implement the bus is a single pull-up resistor for each of the TWI bus lines. All devices connected to the bus have individual addresses, and mechanisms for resolving bus contention are inherent in the TWI protocol.

**Figure 25-1.** TWI Bus Interconnection



#### 25.2.1 TWI Terminology

The following definitions are frequently encountered in this section.

**Table 25-1.** TWI Terminology

| Term        | Description   |
|-------------|---|
| Master      | The device that initiates and terminates a transmission. The Master also generates the SCL clock. |
| Slave       | The device addressed by a Master.   |
| Transmitter | The device placing data on the bus.   |
| Receiver    | The device reading data from the bus.   |



The Power Reduction TWI bit, PRTWI bit in "PRR0 – Power Reduction Register0" on page 195 must be written to zero to enable the 2-wire Serial Interface.

## 25.2.2 Electrical Interconnection

As depicted in Figure 25-1 on page 408, both bus lines are connected to the positive supply voltage through pull-up resistors. The bus drivers of all TWI-compliant devices are open-drain or open-collector. This implements a wired-AND function which is essential to the operation of the interface. A low level on a TWI bus line is generated when one or more TWI devices output a zero. A high level is output when all TWI devices trim-state their outputs, allowing the pull-up resistors to pull the line high. Note that all AVR devices connected to the TWI bus must be powered in order to allow any bus operation.

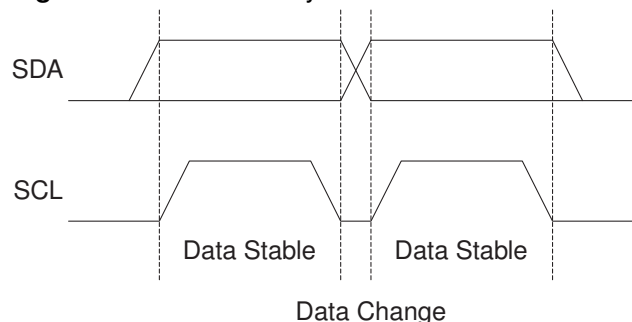
The number of devices that can be connected to the bus is only limited by the bus capacitance limit of 400 pF and the 7-bit slave address space. A detailed specification of the electrical characteristics of the TWI is given in "2-wire Serial Interface Characteristics" on page 556. Two different sets of specifications are presented there, one relevant for bus speeds below 100 kHz, and one valid for bus speeds up to 400 kHz.

## 25.3 Data Transfer and Frame Format

### 25.3.1 Transferring Bits

Each data bit transferred on the TWI bus is accompanied by a pulse on the clock line. The level of the data line must be stable when the clock line is high. The only exception to this rule is for generating start and stop conditions.

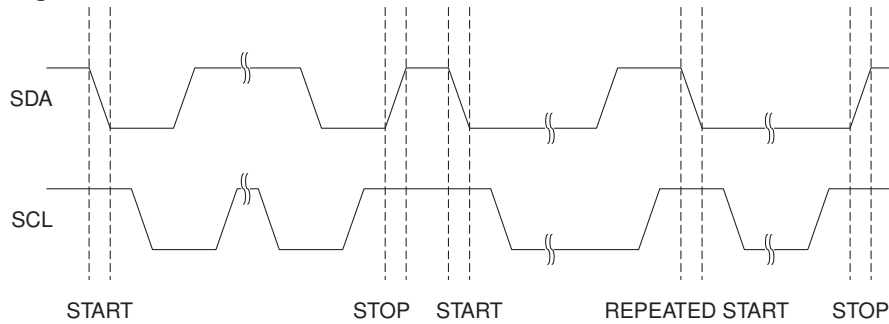
**Figure 25-2.** Data Validity



### 25.3.2 START and STOP Conditions

The Master initiates and terminates a data transmission. The transmission is initiated when the Master issues a START condition on the bus, and it is terminated when the Master issues a STOP condition. Between a START and a STOP condition, the bus is considered busy, and no other master should try to seize control of the bus. A special case occurs when a new START condition is issued between a START and STOP condition. This is referred to as a REPEATED START condition, and is used when the Master wishes to initiate a new transfer without relinquishing control of the bus. After a REPEATED START, the bus is considered busy until the next STOP. This is identical to the START behavior, and therefore START is used to describe both START and REPEATED START for the remainder of this datasheet, unless otherwise noted. As depicted below, START and STOP conditions are signaled by changing the level of the SDA line when the SCL line is high.

**Figure 25-3.** START, REPEATED START and STOP conditions



### 25.3.3 Address Packet Format

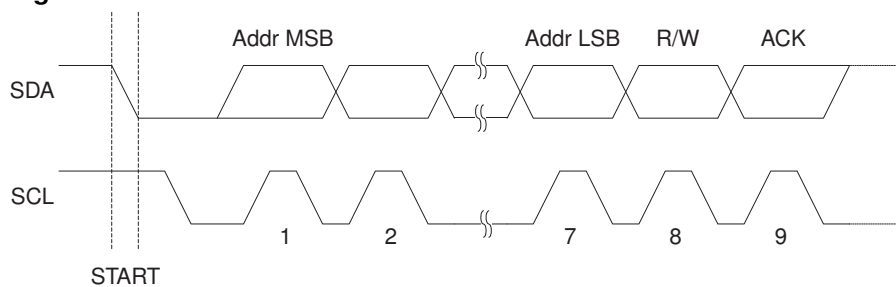
All address packets transmitted on the TWI bus are 9 bits long, consisting of 7 address bits, one READ/WRITE control bit and an acknowledge bit. If the READ/WRITE bit is set, a read operation is to be performed, otherwise a write operation should be performed. When a Slave recognizes that it is being addressed, it should acknowledge by pulling SDA low in the ninth SCL (ACK) cycle. If the addressed Slave is busy, or for some other reason can not service the Master's request, the SDA line should be left high in the ACK clock cycle. The Master can then transmit a STOP condition, or a REPEATED START condition to initiate a new transmission. An address packet consisting of a slave address and a READ or a WRITE bit is called SLA+R or SLA+W, respectively.

The MSB of the address byte is transmitted first. Slave addresses can freely be allocated by the designer, but the address 0000 000 is reserved for a general call.

When a general call is issued, all slaves should respond by pulling the SDA line low in the ACK cycle. A general call is used when a Master wishes to transmit the same message to several slaves in the system. When the general call address followed by a Write bit is transmitted on the bus, all slaves set up to acknowledge the general call will pull the SDA line low in the ack cycle. The following data packets will then be received by all the slaves that acknowledged the general call. Note that transmitting the general call address followed by a Read bit is meaningless, as this would cause contention if several slaves started transmitting different data.

All addresses of the format 1111 xxx should be reserved for future purposes.

**Figure 25-4.** Address Packet Format

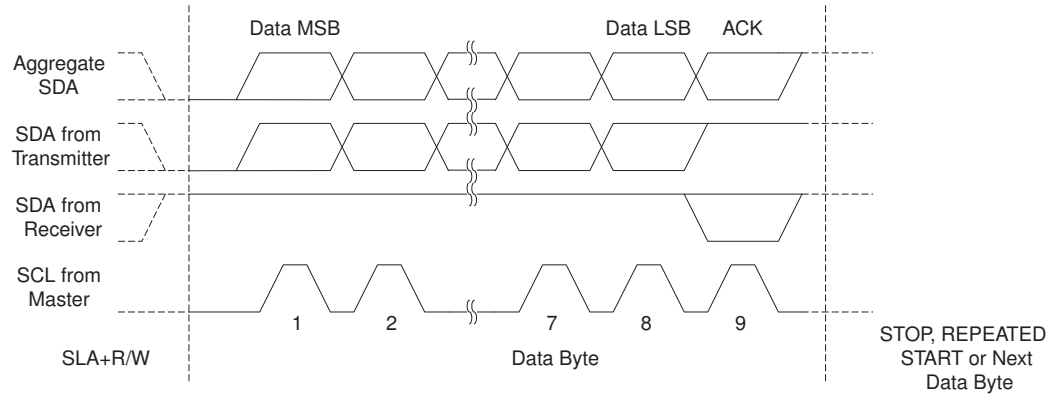


### 25.3.4 Data Packet Format

All data packets transmitted on the TWI bus are nine bits long, consisting of one data byte and an acknowledge bit. During a data transfer, the Master generates the clock and the START and STOP conditions, while the Receiver is responsible for acknowledging the reception. An Acknowledge (ACK) is signaled by the Receiver

pulling the SDA line low during the ninth SCL cycle. If the Receiver leaves the SDA line high, a NACK is signaled. When the Receiver has received the last byte, or for some reason cannot receive any more bytes, it should inform the Transmitter by sending a NACK after the final byte. The MSB of the data byte is transmitted first.

**Figure 25-5. Data Packet Format**

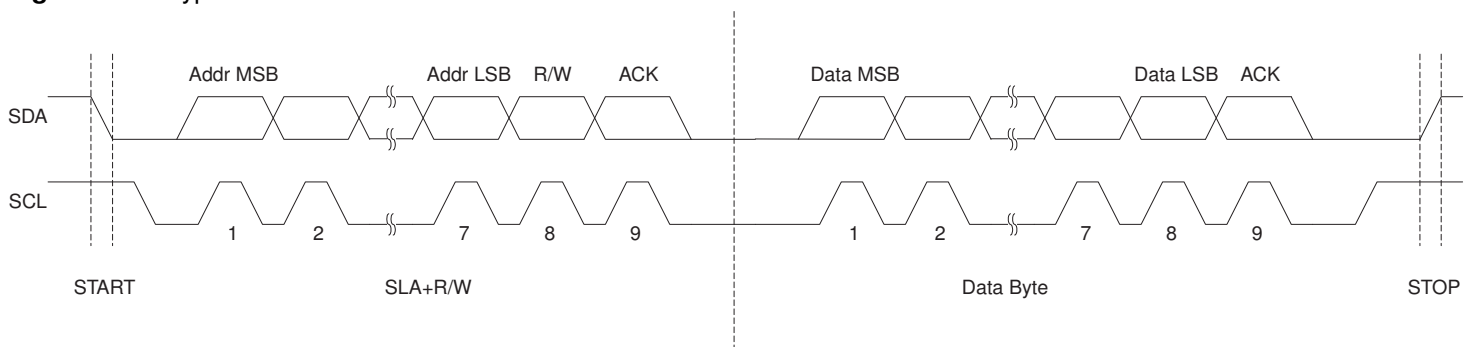


### 25.3.5 Combining Address and Data Packets into a Transmission

A transmission basically consists of a START condition, a SLA+R/W, one or more data packets and a STOP condition. An empty message, consisting of a START followed by a STOP condition, is illegal. Note that the Wired-ANDing of the SCL line can be used to implement handshaking between the Master and the Slave. The Slave can extend the SCL low period by pulling the SCL line low. This is useful if the clock speed set up by the Master is too fast for the Slave, or the Slave needs extra time for processing between the data transmissions. The Slave extending the SCL low period will not affect the SCL high period, which is determined by the Master. As a consequence, the Slave can reduce the TWI data transfer speed by prolonging the SCL duty cycle.

Figure 25-6 below shows a typical data transmission. Note that several data bytes can be transmitted between the SLA+R/W and the STOP condition, depending on the software protocol implemented by the application software.

**Figure 25-6. Typical Data Transmission**



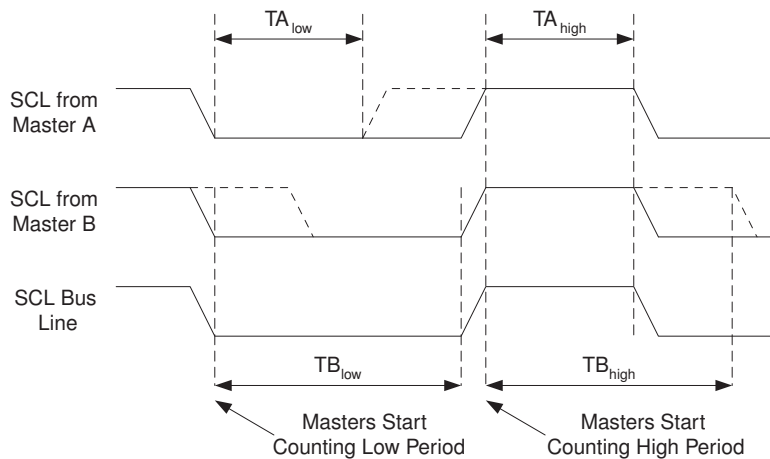
### 25.4 Multi-master Bus Systems, Arbitration and Synchronization

The TWI protocol allows bus systems with several masters. Special concerns have been taken in order to ensure that transmissions will proceed as normal, even if two or more masters initiate a transmission at the same time. Two problems arise in multi-master systems:

- An algorithm must be implemented allowing only one of the masters to complete the transmission. All other masters should cease transmission when they discover that they have lost the selection process. This selection process is called arbitration. When a contending master discovers that it has lost the arbitration process, it should immediately switch to Slave mode to check whether it is being addressed by the winning master. The fact that multiple masters have started transmission at the same time should not be detectable to the slaves, i.e. the data being transferred on the bus must not be corrupted.
- Different masters may use different SCL frequencies. A scheme must be devised to synchronize the serial clocks from all masters, in order to let the transmission proceed in a lockstep fashion. This will facilitate the arbitration process.

The wired-ANDing of the bus lines is used to solve both these problems. The serial clocks from all masters will be wired-ANDed, yielding a combined clock with a high period equal to the one from the Master with the shortest high period. The low period of the combined clock is equal to the low period of the Master with the longest low period. Note that all masters listen to the SCL line, effectively starting to count their SCL high and low time-out periods when the combined SCL line goes high or low, respectively.

**Figure 25-7. SCL Synchronization Between Multiple Masters**



Arbitration is carried out by all masters continuously monitoring the SDA line after outputting data. If the value read from the SDA line does not match the value the Master had output, it has lost the arbitration. Note that a Master can only lose arbitration when it outputs a high SDA value while another Master outputs a low value. The losing Master should immediately go to Slave mode, checking if it is being addressed by the winning Master. The SDA line should be left high, but losing masters are allowed to generate a clock signal until the end of the current data or address packet. Arbitration will continue until only one Master remains, and this may take many bits. If several masters are trying to address the same Slave, arbitration will continue into the data packet.

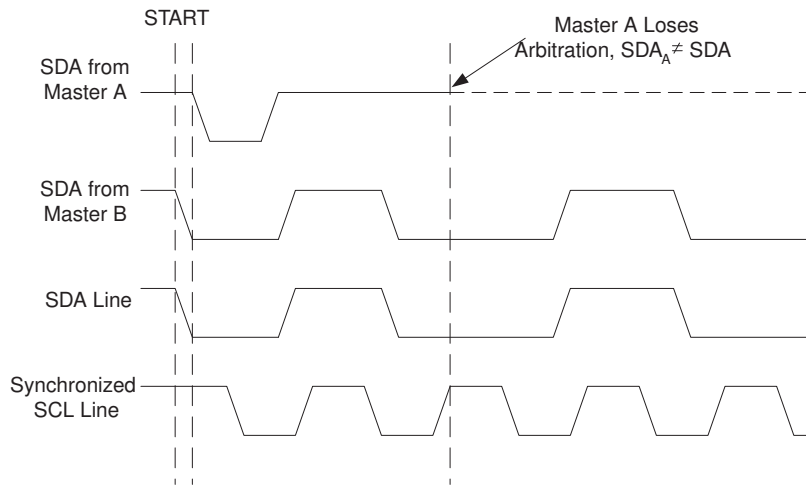
Note that arbitration is not allowed between:

- A REPEATED START condition and a data bit.
- A STOP condition and a data bit.
- A REPEATED START and a STOP condition.

It is the user software's responsibility to ensure that these illegal arbitration conditions never occur. This implies that in multi-master systems, all data transfers must use the same composition of SLA+R/W and data packets. In other words: All transmissions

must contain the same number of data packets, otherwise the result of the arbitration is undefined.

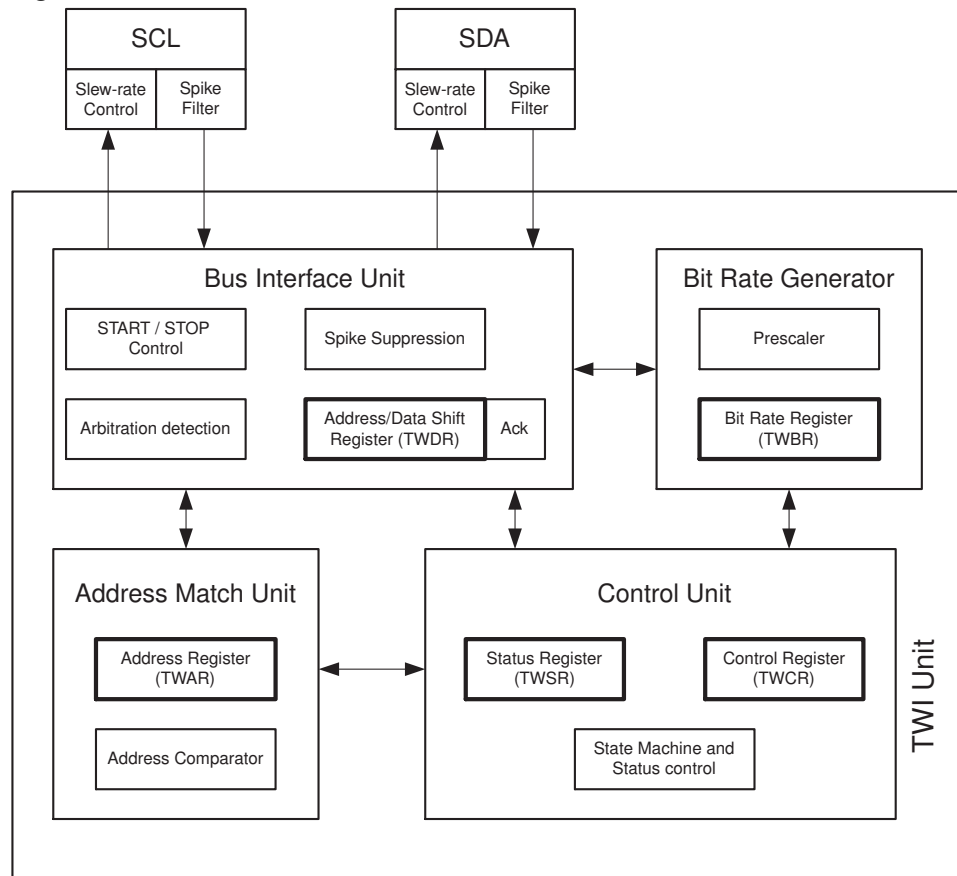
**Figure 25-8. Arbitration Between Two Masters**



## 25.5 Overview of the TWI Module

The TWI module is comprised of several sub-modules, as shown in [Figure 25-9](#) below. All registers drawn in a thick line are accessible through the AVR data bus.

**Figure 25-9. Overview of the TWI Module**



### 25.5.1 SCL and SDA Pins

These pins interface the AVR TWI with the rest of the MCU system. The output drivers contain a slew-rate limiter in order to conform to the TWI specification. The input stages contain a spike suppression unit removing spikes shorter than 50 ns. Note that the internal pull-ups in the AVR pads can be enabled by setting the PORT bits corresponding to the SCL and SDA pins, as explained in the I/O Port section. The internal pull-ups can in some systems eliminate the need for external ones.

### 25.5.2 Bit Rate Generator Unit

This unit controls the period of SCL when operating in a Master mode. The SCL period is controlled by settings in the TWI Bit Rate Register (TWBR) and the Prescaler bits in the TWI Status Register (TWSR). Slave operation does not depend on Bit Rate or Prescaler settings, but the CPU clock frequency in the Slave must be at least 16 times higher than the SCL frequency. Note that slaves may prolong the SCL low period, thereby reducing the average TWI bus clock period. The SCL frequency is generated according to the following equation:

$$SCL \text{ frequency} = \frac{CPU \text{ Clock frequency}}{16 + 2(TWBR) \cdot 4^{TWPS}}$$

- TWBR = Value of the TWI Bit Rate Register.
- TWPS = Value of the prescaler bits in the TWI Status Register.

Note that pull-up resistor values should be selected according to the SCL frequency and the capacitive bus line load. See in ["2-wire Serial Interface Characteristics" on page 556](#) for value of pull-up resistor.

### 25.5.3 Bus Interface Unit

This unit contains the Data and Address Shift Register (TWDR), a START/STOP Controller and Arbitration detection hardware. The TWDR contains the address or data bytes to be transmitted, or the address or data bytes received. In addition to the 8-bit TWDR, the Bus Interface Unit also contains a register containing the (N)ACK bit to be transmitted or received. This (N)ACK Register is not directly accessible by the application software. However, when receiving, it can be set or cleared by manipulating the TWI Control Register (TWCR). When in Transmitter mode, the value of the received (N)ACK bit can be determined by the value in the TWSR.

The START/STOP Controller is responsible for generation and detection of START, REPEATED START, and STOP conditions. The START/STOP controller is able to detect START and STOP conditions even when the AVR MCU is in one of the sleep modes, enabling the MCU to wake up if addressed by a Master.

If the TWI has initiated a transmission as Master, the Arbitration Detection hardware continuously monitors the transmission trying to determine if arbitration is in process. If the TWI has lost an arbitration, the Control Unit is informed. Correct action can then be taken and appropriate status codes generated.

### 25.5.4 Address Match Unit

The Address Match unit checks if received address bytes match the seven-bit address in the TWI Address Register (TWAR). If the TWI General Call Recognition Enable (TWGCE) bit in the TWAR is written to one, all incoming address bits will also be compared against the General Call address. Upon an address match, the Control Unit is informed, allowing correct action to be taken. The TWI may or may not acknowledge its address, depending on settings in the TWCR. The Address Match unit is able to

compare addresses even if the AVR MCU is in sleep mode, enabling the MCU to wake up if addressed by a Master. If another interrupt (e.g., INT0) occurs during TWI Power-down address match and wakes up the CPU, the TWI aborts operation and return to its idle state. If this cause any problems, ensure that TWI Address Match is the only enabled interrupt when entering Power-down.

## 25.5.5 Control Unit

The Control unit monitors the TWI bus and generates responses corresponding to settings in the TWI Control Register (TWCR). When an event requiring the attention of the application occurs on the TWI bus, the TWI Interrupt Flag (TWINT) is asserted. In the next clock cycle, the TWI Status Register (TWSR) is updated with a status code identifying the event. The TWSR only contains relevant status information when the TWI Interrupt Flag is asserted. At all other times, the TWSR contains a special status code indicating that no relevant status information is available. As long as the TWINT Flag is set, the SCL line is held low. This allows the application software to complete its tasks before allowing the TWI transmission to continue.

The TWINT Flag is set in the following situations:

- After the TWI has transmitted a START/REPEATED START condition.
- After the TWI has transmitted SLA+R/W.
- After the TWI has transmitted an address byte.
- After the TWI has lost arbitration.
- After the TWI has been addressed by own slave address or general call.
- After the TWI has received a data byte.
- After a STOP or REPEATED START has been received while still addressed as a Slave.
- When a bus error has occurred due to an illegal START or STOP condition.

## 25.6 Using the TWI

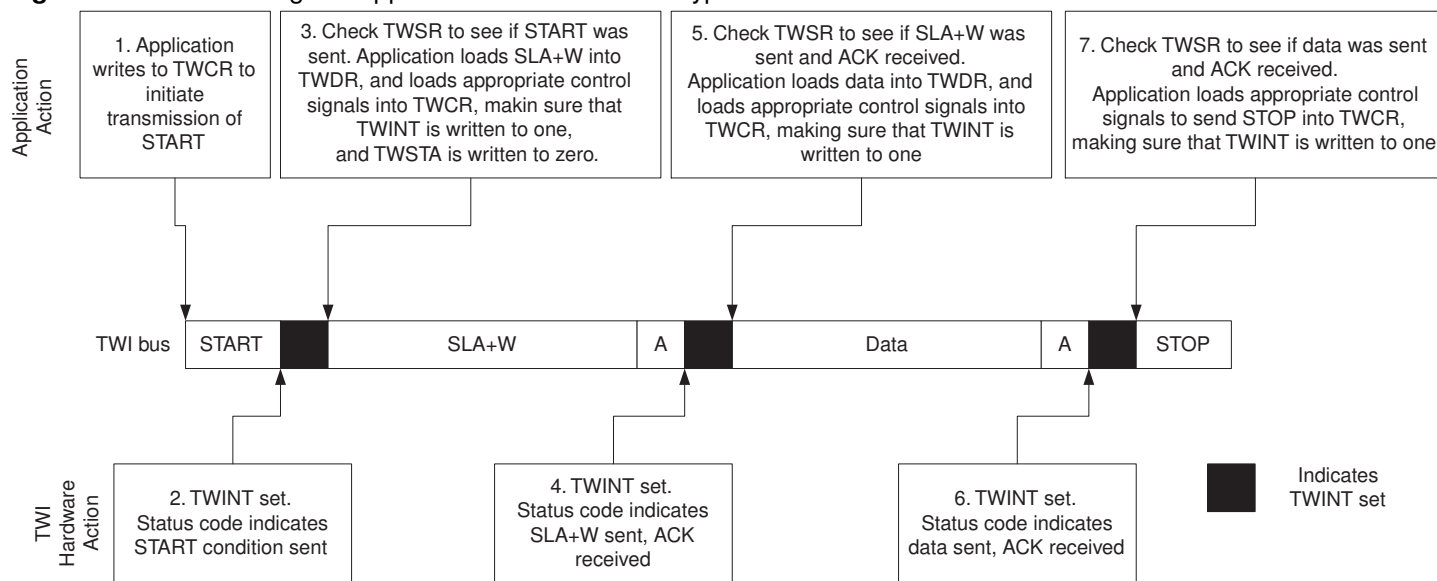
The ATmega2564/1284/644RFR2 TWI is byte-oriented and interrupt based. Interrupts are issued after all bus events, like reception of a byte or transmission of a START condition. Because the TWI is interrupt-based, the application software is free to carry on other operations during a TWI byte transfer. Note that the TWI Interrupt Enable (TWIE) bit in TWCR together with the Global Interrupt Enable bit in SREG allow the application to decide whether or not assertion of the TWINT Flag should generate an interrupt request. If the TWIE bit is cleared, the application must poll the TWINT Flag in order to detect actions on the TWI bus.

When the TWINT Flag is asserted, the TWI has finished an operation and awaits application response. In this case, the TWI Status Register (TWSR) contains a value indicating the current state of the TWI bus. The application software can then decide how the TWI should behave in the next TWI bus cycle by manipulating the TWCR and TWDR Registers.

[Figure 25-10](#) on page 416 is a simple example of how the application can interface to the TWI hardware. In this example, a Master wishes to transmit a single data byte to a Slave. This description is quite abstract, a more detailed explanation follows later in this section. A simple code example implementing the desired behavior is also presented.



**Figure 25-10. Interfacing the Application to the TWI in a Typical Transmission**



1. The first step in a TWI transmission is to transmit a START condition. This is done by writing a specific value into TWCR, instructing the TWI hardware to transmit a START condition. Which value to write is described later on. However, it is important that the TWINT bit is set in the value written. Writing a one to TWINT clears the flag. The TWI will not start any operation as long as the TWINT bit in TWCR is set. Immediately after the application has cleared TWINT, the TWI will initiate transmission of the START condition.
2. When the START condition has been transmitted, the TWINT Flag in TWCR is set, and TWSR is updated with a status code indicating that the START condition has successfully been sent.
3. The application software should now examine the value of TWSR, to make sure that the START condition was successfully transmitted. If TWSR indicates otherwise, the application software might take some special action, like calling an error routine. Assuming that the status code is as expected, the application must load SLA+W into TWDR. Remember that TWDR is used both for address and data. After TWDR has been loaded with the desired SLA+W, a specific value must be written to TWCR, instructing the TWI hardware to transmit the SLA+W present in TWDR. Which value to write is described later on. However, it is important that the TWINT bit is set in the value written. Writing a one to TWINT clears the flag. The TWI will not start any operation as long as the TWINT bit in TWCR is set. Immediately after the application has cleared TWINT, the TWI will initiate transmission of the address packet.
4. When the address packet has been transmitted, the TWINT Flag in TWCR is set, and TWSR is updated with a status code indicating that the address packet has successfully been sent. The status code will also reflect whether a Slave acknowledged the packet or not.
5. The application software should now examine the value of TWSR, to make sure that the address packet was successfully transmitted, and that the value of the ACK bit was as expected. If TWSR indicates otherwise, the application software might take some special action, like calling an error routine. Assuming that the status code is as expected, the application must load a data packet into TWDR. Subsequently, a specific value must be written to TWCR, instructing the TWI hardware to transmit the data packet present in TWDR. Which value to write is described later on. However, it is important that the TWINT bit is set in the value written. Writing a one to TWINT



clears the flag. The TWI will not start any operation as long as the TWINT bit in TWCR is set. Immediately after the application has cleared TWINT, the TWI will initiate transmission of the data packet.

6. When the data packet has been transmitted, the TWINT Flag in TWCR is set, and TWSR is updated with a status code indicating that the data packet has successfully been sent. The status code will also reflect whether a Slave acknowledged the packet or not.
7. The application software should now examine the value of TWSR, to make sure that the data packet was successfully transmitted, and that the value of the ACK bit was as expected. If TWSR indicates otherwise, the application software might take some special action, like calling an error routine. Assuming that the status code is as expected, the application must write a specific value to TWCR, instructing the TWI hardware to transmit a STOP condition. Which value to write is described later on. However, it is important that the TWINT bit is set in the value written. Writing a one to TWINT clears the flag. The TWI will not start any operation as long as the TWINT bit in TWCR is set. Immediately after the application has cleared TWINT, the TWI will initiate transmission of the STOP condition. Note that TWINT is NOT set after a STOP condition has been sent.

Even though this example is simple, it shows the principles involved in all TWI transmissions. These can be summarized as follows:

- When the TWI has finished an operation and expects application response, the TWINT Flag is set. The SCL line is pulled low until TWINT is cleared.
- When the TWINT Flag is set, the user must update all TWI Registers with the value relevant for the next TWI bus cycle. As an example, TWDR must be loaded with the value to be transmitted in the next bus cycle.
- After all TWI Register updates and other pending application software tasks have been completed, TWCR is written. When writing TWCR, the TWINT bit should be set. Writing a one to TWINT clears the flag. The TWI will then commence executing whatever operation was specified by the TWCR setting.

In the following an assembly and C implementation of the example is given. Note that the code below assumes that several definitions have been made, for example by using include-files.

**Table 25-2.** Code example

|   | Assembly Code Example   | C Example   | Comments  |
|---|---|---|---|
| 1 | <pre>ldi r16, (1&lt;&lt;TWINT)   (1&lt;&lt;TWSTA)         (1&lt;&lt;TWEN) out TWCR, r16</pre>     | <pre>TWCR = (1&lt;&lt;TWINT)   (1&lt;&lt;TWSTA)         (1&lt;&lt;TWEN)</pre> | Send START condition  |
| 2 | <pre>wait1: in r16, TWCR sbrs r16, TWINT rjmp wait1</pre>   | <pre>while (!(TWCR &amp; (1&lt;&lt;TWINT)));</pre>                            | Wait for TWINT Flag set. This indicates that the START condition has been transmitted               |
| 3 | <pre>in r16, TWSR andi r16, 0xF8 cpi r16, START brne ERROR</pre>                                  | <pre>if ((TWSR &amp; 0xF8) != START)     ERROR();</pre>                       | Check value of TWI Status Register. Mask prescaler bits. If status different from START go to ERROR |
|   | <pre>ldi r16, SLA_W out TWDR, r16 ldi r16, (1&lt;&lt;TWINT)   (1&lt;&lt;TWEN) out TWCR, r16</pre> | <pre>TWDR = SLA_W; TWCR = (1&lt;&lt;TWINT)   (1&lt;&lt;TWEN);</pre>           | Load SLA_W into TWDR Register. Clear TWINT bit in TWCR to start transmission of address             |

|   | Assembly Code Example   | C Example  | Comments   |
|---|---|--|--|
| 4 | <pre>wait2: in r16,TWCR sbrs r16,TWINT rjmp wait2</pre>   | <pre>while (!(TWCR &amp; (1&lt;&lt;TWINT)));</pre>                             | Wait for TWINT Flag set. This indicates that the SLA+W has been transmitted, and ACK/NACK has been received. |
| 5 | <pre>in r16,TWSR andi r16, 0xF8 cpi r16, MT_SLA_ACK brne ERROR</pre>                            | <pre>if ((TWSR &amp; 0xF8) != MT_SLA_ACK)     ERROR();</pre>                   | Check value of TWI Status Register. Mask prescaler bits. If status different from MT_SLA_ACK go to ERROR     |
|   | <pre>ldi r16, DATA out TWDR, r16 ldi r16, (1&lt;&lt;TWINT) (1&lt;&lt;TWEN) out TWCR, r16</pre>  | <pre>TWDR = DATA; TWCR = (1&lt;&lt;TWINT)   (1&lt;&lt;TWEN);</pre>             | Load DATA into TWDR Register. Clear TWINT bit in TWCR to start transmission of data                          |
| 6 | <pre>wait3: in r16,TWCR sbrs r16,TWINT rjmp wait3</pre>   | <pre>while (!(TWCR &amp; (1&lt;&lt;TWINT)));</pre>                             | Wait for TWINT Flag set. This indicates that the DATA has been transmitted, and ACK/NACK has been received.  |
| 7 | <pre>in r16,TWSR andi r16, 0xF8 cpi r16, MT_DATA_ACK brne ERROR</pre>                           | <pre>if ((TWSR &amp; 0xF8) != MT_DATA_ACK)     ERROR();</pre>                  | Check value of TWI Status Register. Mask prescaler bits. If status different from MT_DATA_ACK go to ERROR    |
|   | <pre>ldi r16, (1&lt;&lt;TWINT) (1&lt;&lt;TWEN)             (1&lt;&lt;TWSTO) out TWCR, r16</pre> | <pre>TWCR = (1&lt;&lt;TWINT) (1&lt;&lt;TWEN)           (1&lt;&lt;TWSTO);</pre> | Transmit STOP condition  |

## 25.7 Transmission Modes

The TWI can operate in one of four major modes. These are named Master Transmitter (MT), Master Receiver (MR), Slave Transmitter (ST) and Slave Receiver (SR). Several of these modes can be used in the same application. As an example, the TWI can use MT mode to write data into a TWI EEPROM, MR mode to read the data back from the EEPROM. If other masters are present in the system, some of these might transmit data to the TWI, and then SR mode would be used. It is the application software that decides which modes are legal.

The following sections describe each of these modes. Possible status codes are described along with figures detailing data transmission in each of the modes. These figures contain the following abbreviations:

|   |  |
|---|--|
| <b>S:</b> START condition                         | <b>Rs:</b> REPEATED START condition          |
| <b>R:</b> Read bit (high level at SDA)            | <b>W:</b> Write bit (low level at SDA)       |
| <b>Data:</b> 8-bit data byte                      | <b>P:</b> STOP condition                     |
| <b>SLA:</b> Slave Address                         | <b>A:</b> Acknowledge bit (low level at SDA) |
| <b>Ā:</b> Not acknowledge bit (high level at SDA) |  |

In [Figure 25-12 on page 420](#) to [Figure 25-18 on page 430](#) circles are used to indicate that the TWINT Flag is set. The numbers in the circles show the status code held in TWSR, with the prescaler bits masked to zero. At these points, actions must be taken by the application to continue or complete the TWI transfer. The TWI transfer is suspended until the TWINT Flag is cleared by software.

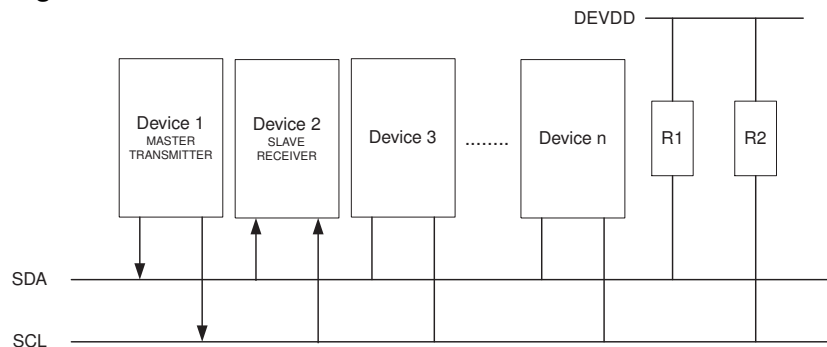
When the TWINT Flag is set, the status code in TWSR is used to determine the appropriate software action. For each status code, the required software action and

details of the following serial transfer are given in [Table 25-3](#) on page 421 to [Table 25-6](#) on page 429. Note that the prescaler bits are masked to zero in these tables.

## 25.7.1 Master Transmitter Mode

In the Master Transmitter mode, a number of data bytes are transmitted to a Slave Receiver (see [Figure 25-11](#) below). In order to enter a Master mode, a START condition must be transmitted. The format of the following address packet determines whether Master Transmitter or Master Receiver mode is to be entered. If SLA+W is transmitted, MT mode is entered, if SLA+R is transmitted, MR mode is entered. All status codes mentioned in this section assume that the prescaler bits are zero or are masked to zero.

**Figure 25-11.** Data Transfer in Master Transmitter Mode



A START condition is sent by writing the following value to TWCR:

| TWCR  | TWINT | TWEA | TWSTA | TWSTO | TWWC | TWEN | – | TWIE |
|-------|-------|------|-------|-------|------|------|---|------|
| Value | 1     | X    | 1     | 0     | X    | 1    | 0 | X    |

TWEN must be set to enable the 2-wire Serial Interface, TWSTA must be written to one to transmit a START condition and TWINT must be written to one to clear the TWINT Flag. The TWI will then test the 2-wire Serial Bus and generate a START condition as soon as the bus becomes free. After a START condition has been transmitted, the TWINT Flag is set by hardware, and the status code in TWSR will be 0x08 (see [Table 25-3](#) on page 421). In order to enter MT mode, SLA+W must be transmitted. This is done by writing SLA+W to TWDR. Thereafter the TWINT bit should be cleared (by writing it to one) to continue the transfer. This is accomplished by writing the following value to TWCR:

| TWCR  | TWINT | TWEA | TWSTA | TWSTO | TWWC | TWEN | – | TWIE |
|-------|-------|------|-------|-------|------|------|---|------|
| Value | 1     | X    | 0     | 0     | X    | 1    | 0 | X    |

When SLA+W have been transmitted and an acknowledgement bit has been received, TWINT is set again and a number of status codes in TWSR are possible. Possible status codes in Master mode are 0x18, 0x20, or 0x38. The appropriate action to be taken for each of these status codes is detailed in [Table 25-3](#) on page 421.

When SLA+W has been successfully transmitted, a data packet should be transmitted. This is done by writing the data byte to TWDR. TWDR must only be written when TWINT is high. If not, the access will be discarded, and the Write Collision bit (TWWC) will be set in the TWCR Register. After updating TWDR, the TWINT bit should be cleared (by writing it to one) to continue the transfer. This is accomplished by writing the following value to TWCR:

| TWCR  | TWINT | TWEA | TWSTA | TWSTO | TWWC | TWEN | – | TWIE |
|-------|-------|------|-------|-------|------|------|---|------|
| Value | 1     | X    | 0     | 0     | X    | 1    | 0 | X    |

This scheme is repeated until the last byte has been sent and the transfer is ended by generating a STOP condition or a repeated START condition. A STOP condition is generated by writing the following value to TWCR:

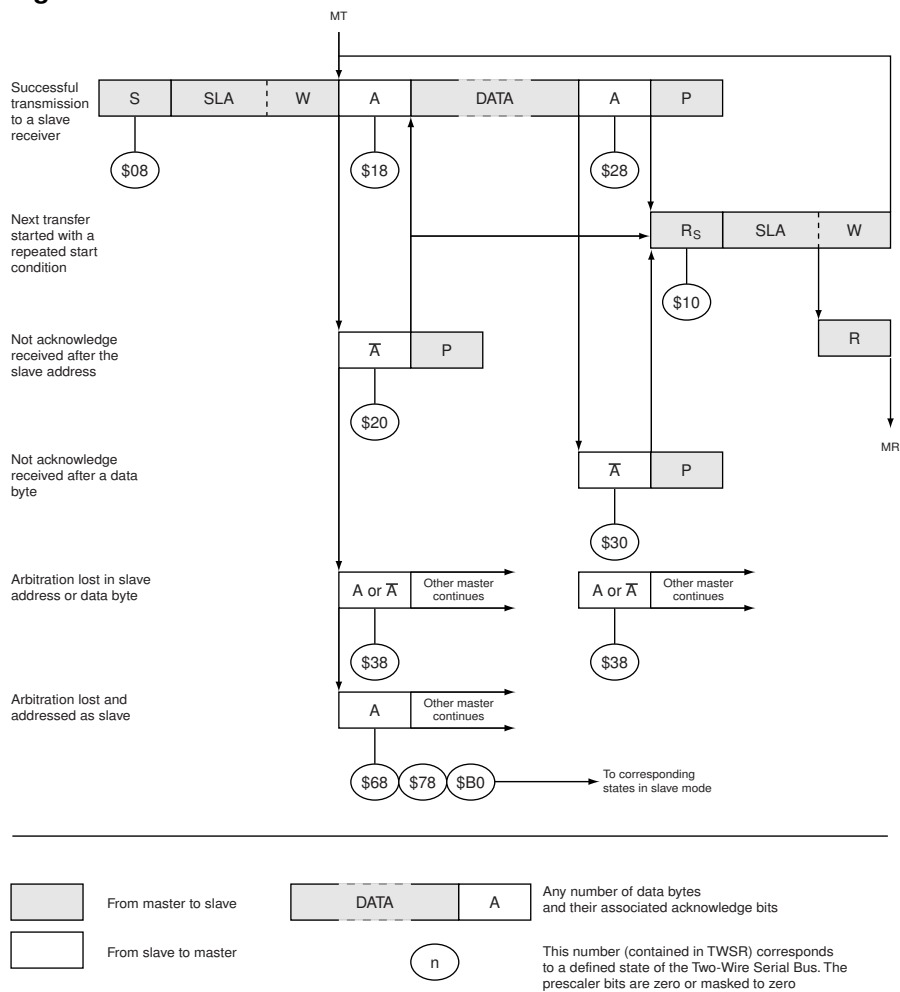
| TWCR  | TWINT | TWEA | TWSTA | TWSTO | TWWC | TWEN | – | TWIE |
|-------|-------|------|-------|-------|------|------|---|------|
| Value | 1     | X    | 0     | 1     | X    | 1    | 0 | X    |

A REPEATED START condition is generated by writing the following value to TWCR:

| TWCR  | TWINT | TWEA | TWSTA | TWSTO | TWWC | TWEN | – | TWIE |
|-------|-------|------|-------|-------|------|------|---|------|
| Value | X     | 1    | 0     | X     | 1    | 0    | X |      |

After a REPEATED START condition (state 0x10) the 2-wire Serial Interface can access the same Slave again, or a new Slave without transmitting a STOP condition. Repeated START enables the Master to switch between Slaves, Master Transmitter mode and Master Receiver mode without losing control of the bus.

**Figure 25-12.** Formats and States in the Master Transmitter Mode



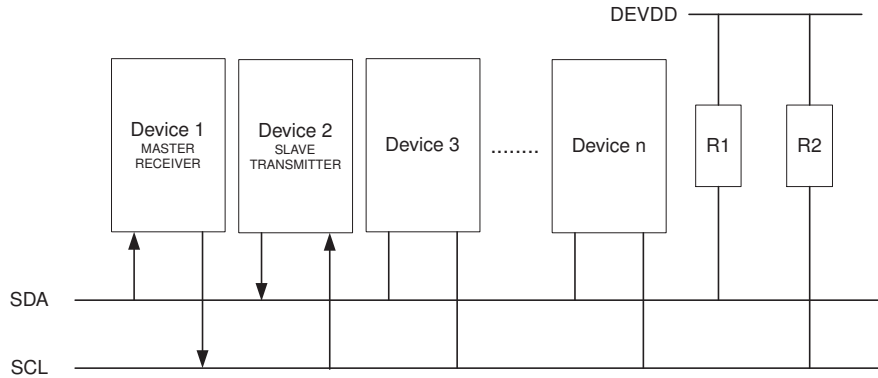
**Table 25-3.** Status codes for Master Transmitter Mode

| Status Code (TWSR) Prescaler Bits are 0 | Status of the 2-wire Serial Bus and 2-wire Serial Interface Hardware | Application Software Response |         |     |       |      | Next Action Taken by TWI Hardware   |
|---|--|-------------------------------|---------|-----|-------|------|---|
|   |  | To/from TWDR                  | To TWCR |     |       |      |   |
|   |  |                               | STA     | STO | TWINT | TWEA |   |
| 0x08                                    | A START condition has been transmitted                               | Load SLA+W                    | 0       | 0   | 1     | X    | SLA+W will be transmitted; ACK or NOT ACK will be received  |
| 0x10                                    | A repeated START condition has been transmitted                      | Load SLA+W or                 | 0       | 0   | 1     | X    | SLA+W will be transmitted; ACK or NOT ACK will be received<br>SLA+R will be transmitted; Logic will switch to Master Receiver mode  |
|   |  | Load SLA+R                    | 0       | 0   | 1     | X    |   |
| 0x18                                    | SLA+W has been transmitted; ACK has been received                    | Load data byte o              | 0       | 0   | 1     | X    | Data byte will be transmitted and ACK or NOT ACK will be received<br>Repeated START will be transmitted<br><br>STOP condition will be transmitted and TWSTO Flag will be reset<br>STOP condition followed by a START condition will be transmitted and TWSTO Flag will be reset |
|   |  | No TWDR action or             | 1       | 0   | 1     | X    |   |
|   |  | No TWDR action or             | 0       | 1   | 1     | X    |   |
|   |  | No TWDR action                | 1       | 1   | 1     | X    |   |
| 0x20                                    | SLA+W has been transmitted; NOT ACK has been received                | Load data byte or             | 0       | 0   | 1     | X    | Data byte will be transmitted and ACK or NOT ACK will be received<br>Repeated START will be transmitted<br><br>STOP condition will be transmitted and TWSTO Flag will be reset<br>STOP condition followed by a START condition will be transmitted and TWSTO Flag will be reset |
|   |  | No TWDR action or             | 1       | 0   | 1     | X    |   |
|   |  | No TWDR action or             | 0       | 1   | 1     | X    |   |
|   |  | No TWDR action                | 1       | 1   | 1     | X    |   |
| 0x28                                    | Data byte has been transmitted; ACK has been received                | Load data byte or             | 0       | 0   | 1     | X    | Data byte will be transmitted and ACK or NOT ACK will be received<br>Repeated START will be transmitted<br><br>STOP condition will be transmitted and TWSTO Flag will be reset<br>STOP condition followed by a START condition will be transmitted and TWSTO Flag will be reset |
|   |  | No TWDR action or             | 1       | 0   | 1     | X    |   |
|   |  | No TWDR action or             | 0       | 1   | 1     | X    |   |
|   |  | No TWDR action                | 1       | 1   | 1     | X    |   |
| 0x30                                    | Data byte has been transmitted; NOT ACK has been received            | Load data byte or             | 0       | 0   | 1     | X    | Data byte will be transmitted and ACK or NOT ACK will be received<br>Repeated START will be transmitted<br><br>STOP condition will be transmitted and TWSTO Flag will be reset<br>STOP condition followed by a START condition will be transmitted and TWSTO Flag will be reset |
|   |  | No TWDR action or             | 1       | 0   | 1     | X    |   |
|   |  | No TWDR action or             | 0       | 1   | 1     | X    |   |
|   |  | No TWDR action                | 1       | 1   | 1     | X    |   |
| 0x38                                    | Arbitration lost in SLA+W or data bytes                              | No TWDR action or             | 0       | 0   | 1     | X    | 2-wire Serial Bus will be released and not addressed Slave mode entered<br>A START condition will be transmitted when the bus be-comes free   |
|   |  | No TWDR action                | 1       | 0   | 1     | X    |   |

## 25.7.2 Master Receiver Mode

In the Master Receiver mode, a number of data bytes are received from a Slave Transmitter (for Slave see [Figure 25-13](#) on page 422). In order to enter a Master mode, a START condition must be transmitted. The format of the following address packet determines whether Master Transmitter or Master Receiver mode is to be entered. If SLA+W is transmitted, MT mode is entered, if SLA+R is transmitted, MR mode is entered. All the status codes mentioned in this section assume that the prescaler bits are zero or are masked to zero.

**Figure 25-13. Data Transfer in Master Receiver Mode**



A START condition is sent by writing the following value to TWCR:

| TWCR  | TWINT | TWEA | TWSTA | TWSTO | TWWC | TWEN | – | TWIE |
|-------|-------|------|-------|-------|------|------|---|------|
| Value | 1     | X    | 1     | 0     | X    | 1    | 0 | X    |

TWEN must be written to one to enable the 2-wire Serial Interface, TWSTA must be written to one to transmit a START condition and TWINT must be set to clear the TWINT Flag. The TWI will then test the 2-wire Serial Bus and generate a START condition as soon as the bus becomes free. After a START condition has been transmitted, the TWINT Flag is set by hardware, and the status code in TWSR will be 0x08 (see Table 25-4 on page 423). In order to enter MR mode, SLA+R must be transmitted. This is done by writing SLA+R to TWDR. Thereafter the TWINT bit should be cleared (by writing it to one) to continue the transfer. This is accomplished by writing the following value to TWCR:

| TWCR  | TWINT | TWEA | TWSTA | TWSTO | TWWC | TWEN | – | TWIE |
|-------|-------|------|-------|-------|------|------|---|------|
| Value | 1     | X    | 0     | 0     | X    | 1    | 0 | X    |

When SLA+R have been transmitted and an acknowledgement bit has been received, TWINT is set again and a number of status codes in TWSR are possible. Possible status codes in Master mode are 0x38, 0x40, or 0x48. The appropriate action to be taken for each of these status codes is detailed in Table 25-4 on page 423. Received data can be read from the TWDR Register when the TWINT Flag is set high by hardware. This scheme is repeated until the last byte has been received. After the last byte has been received, the MR should inform the ST by sending a NACK after the last received data byte. The transfer is ended by generating a STOP condition or a repeated START condition. A STOP condition is generated by writing the following value to TWCR:

| TWCR  | TWINT | TWEA | TWSTA | TWSTO | TWWC | TWEN | – | TWIE |
|-------|-------|------|-------|-------|------|------|---|------|
| value | 1     | X    | 0     | 1     | X    | 1    | 0 | X    |

A REPEATED START condition is generated by writing the following value to TWCR:

| TWCR  | TWINT | TWEA | TWSTA | TWSTO | TWWC | TWEN | – | TWIE |
|-------|-------|------|-------|-------|------|------|---|------|
| Value | 1     | X    | 1     | 0     | X    | 1    | 0 | X    |

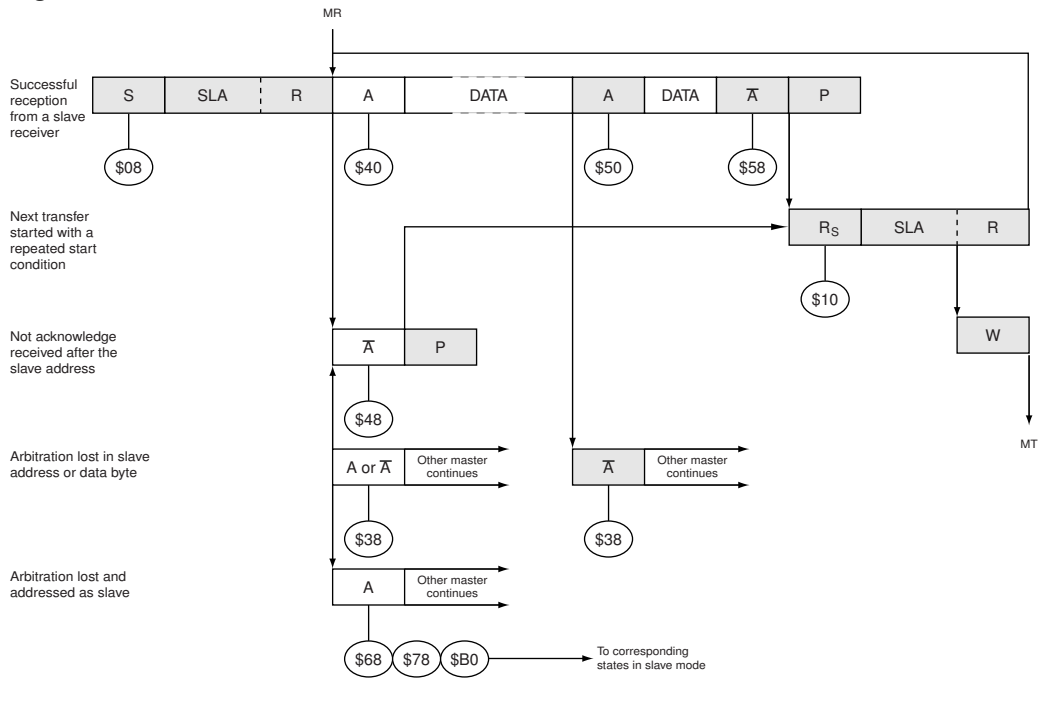
After a repeated START condition (state 0x10) the 2-wire Serial Interface can access the same Slave again, or a new Slave without transmitting a STOP condition. Repeated

START enables the Master to switch between Slaves, Master Transmitter mode and Master Receiver mode without losing control over the bus.

**Table 25-4.** Status codes for Master Receiver Mode

| Status Code (TWSR) Prescaler Bits are 0 | Status of the 2-wire Serial Bus and 2-wire Serial Interface Hardware | Application Software Response |         |     |       |      | Next Action Taken by TWI Hardware  |
|---|--|-------------------------------|---------|-----|-------|------|--|
|   |  | To/from TWDR                  | To TWCR |     |       |      |  |
|   |  |                               | STA     | STD | TWINT | TWEA |  |
| 0x08                                    | A START condition has been transmitted                               | Load SLA+R                    | 0       | 0   | 1     | X    | SLA+R will be transmitted ACK or NOT ACK will be received  |
| 0x10                                    | A repeated START condition has been transmitted                      | Load SLA+R or                 | 0       | 0   | 1     | X    | SLA+R will be transmitted ACK or NOTACK will be received<br>SLA+W will be transmitted Logic will switch to Master Transmitter mode   |
|   |  | Load SLA+W                    | 0       | 0   | 1     | X    |  |
| 0x38                                    | Arbitration lost in SLA+R or NOT ACK bit                             | No TWDR action or             | 0       | 0   | 1     | X    | 2-wire Serial Bus will be released and not addressed Slave mode will be entered<br>A START condition will be transmitted when the bus becomes free   |
|   |  | No TWDR action                | 1       | 0   | 1     | X    |  |
| 0x40                                    | SLA+R has been transmitted; ACK has been received                    | No TWDR action or             | 0       | 0   | 1     | 0    | Data byte will be received and NOT ACK will be returned<br>Data byte will be received and ACK will be returned   |
|   |  | No TWDR action                | 0       | 0   | 1     | 1    |  |
| 0x48                                    | SLA+R has been transmitted; NOT ACK has been received                | No TWDR action or             | 1       | 0   | 1     | X    | Repeated START will be transmitted<br><br>STOP condition will be transmitted and TWSTO Flag will be reset<br>STOP condition followed by a START condition will be transmitted and TWSTO Flag will be reset |
|   |  | No TWDR action or             | 0       | 1   | 1     | X    |  |
|   |  | No TWDR action                | 1       | 1   | 1     | X    |  |
| 0x50                                    | Data byte has been received; ACK has been returned                   | Read data byte or             | 0       | 0   | 1     | 0    | Data byte will be received and NOT ACK will be returned<br>Data byte will be received and ACK will be returned   |
|   |  | Read data byte                | 0       | 0   | 1     | 1    |  |
| 0x58                                    | Data byte has been received; NOT ACK has been returned               | Read data byte or             | 1       | 0   | 1     | X    | Repeated START will be transmitted<br><br>STOP condition will be transmitted and TWSTO Flag will be reset<br>STOP condition followed by a START condition will be transmitted and TWSTO Flag will be reset |
|   |  | Read data byte or             | 0       | 1   | 1     | X    |  |
|   |  | Read data byte                | 1       | 1   | 1     | X    |  |

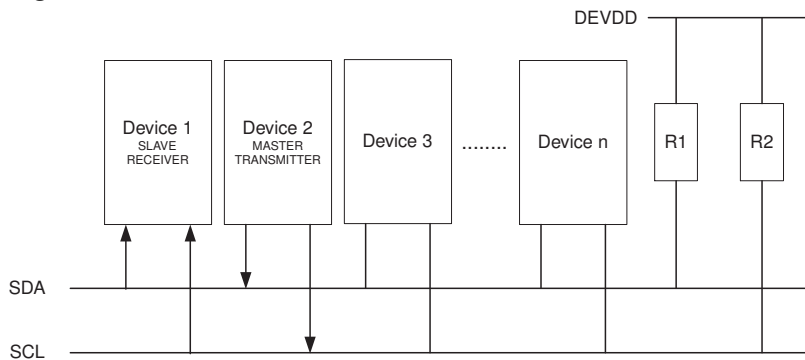
**Figure 25-14. Formats and States in the Master Receiver Mode**



### 25.7.3 Slave Receiver Mode

In the Slave Receiver mode, a number of data bytes are received from a Master Transmitter (see Figure 25-15 below). All the status codes mentioned in this section assume that the prescaler bits are zero or are masked to zero.

**Figure 25-15. Data transfer in Slave Receiver mode**



To initiate the Slave Receiver mode, TWAR and TWCR must be initialized as follows:

|       |                            |      |      |      |      |      |      |       |
|-------|----------------------------|------|------|------|------|------|------|-------|
| TWAR  | TWA6                       | TWA5 | TWA4 | TWA3 | TWA2 | TWA1 | TWA0 | TWGCE |
| Value | Device's Own Slave Address |      |      |      |      |      |      |       |



The upper 7 bits are the address to which the 2-wire Serial Interface will respond when addressed by a Master. If the LSB is set, the TWI will respond to the general call address (0x00), otherwise it will ignore the general call address.

| TWCR  | TWINT | TWEA | TWSTA | TWSTO | TWWC | TWEN | – | TWIE |
|-------|-------|------|-------|-------|------|------|---|------|
| Value | 0     | 1    | 0     | 0     | 0    | 1    | 0 | X    |

TWEN must be written to one to enable the TWI. The TWEA bit must be written to one to enable the acknowledgement of the device's own slave address or the general call address. TWSTA and TWSTO must be written to zero.

When TWAR and TWCR have been initialized, the TWI waits until it is addressed by its own slave address (or the general call address if enabled) followed by the data direction bit. If the direction bit is "0" (write), the TWI will operate in SR mode, otherwise ST mode is entered. After its own slave address and the write bit have been received, the TWINT Flag is set and a valid status code can be read from TWSR. The status code is used to determine the appropriate software action. The appropriate action to be taken for each status code is detailed in [Table 25-5 below](#). The Slave Receiver mode may also be entered if arbitration is lost while the TWI is in the Master mode (see states 0x68 and 0x78).

If the TWEA bit is reset during a transfer, the TWI will return a "Not Acknowledge" ("1") to SDA after the next received data byte. This can be used to indicate that the Slave is not able to receive any more bytes. While TWEA is zero, the TWI does not acknowledge its own slave address. However, the 2-wire Serial Bus is still monitored and address recognition may resume at any time by setting TWEA. This implies that the TWEA bit may be used to temporarily isolate the TWI from the 2-wire Serial Bus.

In all sleep modes other than Idle mode, the clock system to the TWI is turned off. If the TWEA bit is set, the interface can still acknowledge its own slave address or the general call address by using the 2-wire Serial Bus clock as a clock source. The part will then wake up from sleep and the TWI will hold the SCL clock low during the wake up and until the TWINT Flag is cleared (by writing it to one). Further data reception will be carried out as normal, with the AVR clocks running as normal. Observe that if the AVR is set up with a long start-up time, the SCL line may be held low for a long time, blocking other data transmissions.

Note that the 2-wire Serial Interface Data Register – TWDR does not reflect the last byte present on the bus when waking up from these Sleep modes.

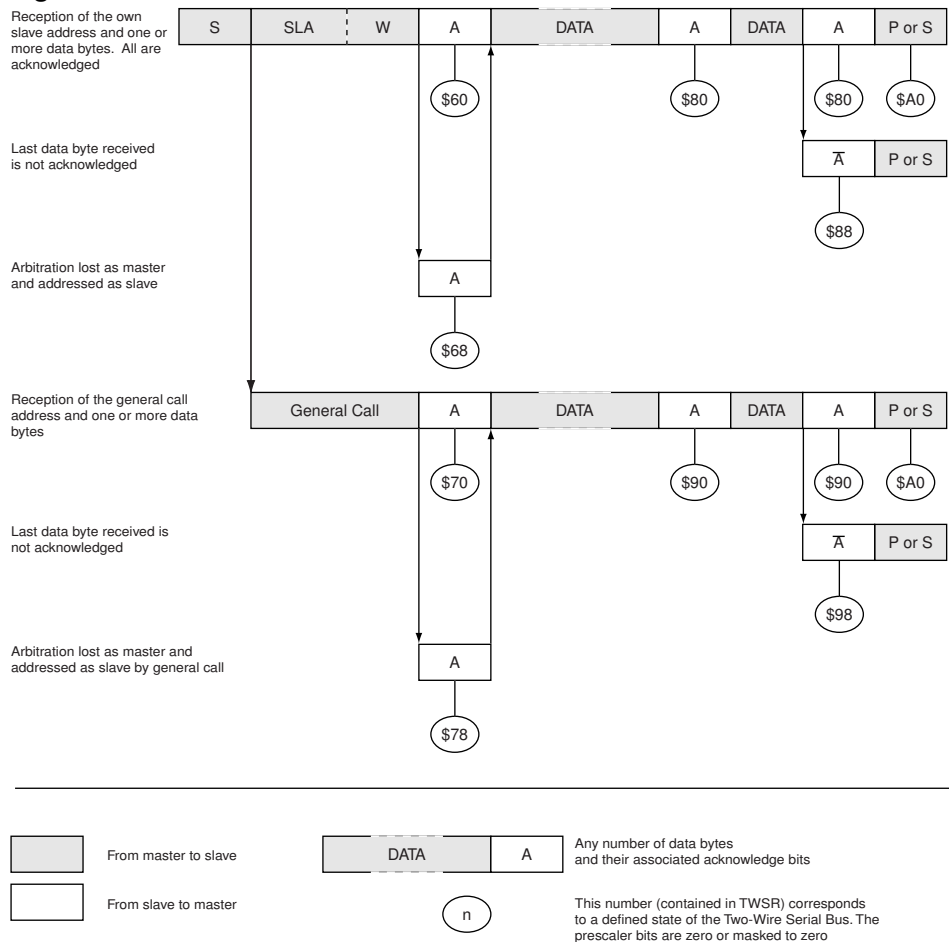
**Table 25-5.** Status Codes for Slave Receiver Mode

| Status Code (TWSR) Prescaler Bits are 0 | Status of the 2-wire Serial Bus and 2-wire Serial Interface Hardware                      | Application Software Response |         |     |       |      | Next Action Taken by TWI Hardware  |
|---|---|-------------------------------|---------|-----|-------|------|--|
|   |   | To/from TWDR                  | To TWCR |     |       |      |  |
|   |   |                               | STA     | STO | TWINT | TWEA |  |
| 0x60                                    | Own SLA+W has been received; ACK has been returned  | No TWDR action or             | X       | 0   | 1     | 0    | Data byte will be received and NOT ACK will be returned<br>Data byte will be received and ACK will be returned |
|   |   | No TWDR action                | X       | 0   | 1     | 1    |  |
| 0x68                                    | Arbitration lost in SLA+R/W as Master; own SLA+W has been received; ACK has been returned | No TWDR action or             | X       | 0   | 1     | 0    | Data byte will be received and NOT ACK will be returned<br>Data byte will be received and ACK will be returned |
|   |   | No TWDR action                | X       | 0   | 1     | 1    |  |
| 0x70                                    | General call address has been received; ACK has been returned                             | No TWDR action or             | X       | 0   | 1     | 0    | Data byte will be received and NOT ACK will be returned<br>Data byte will be received and ACK will be returned |
|   |   | No TWDR action                | X       | 0   | 1     | 1    |  |

|      |  |                   |   |   |   |   |  |
|------|--|-------------------|---|---|---|---|--|
| 0x78 | Arbitration lost in SLA+R/W as Master; General call address has been received; ACK has been returned | No TWDR action or | X | 0 | 1 | 0 | Data byte will be received and NOT ACK will be returned<br>Data byte will be received and ACK will be returned   |
|      |  | No TWDR action    | X | 0 | 1 | 1 |  |
| 0x80 | Previously addressed with own SLA+W; data has been received; ACK has been returned                   | Read data byte or | X | 0 | 1 | 0 | Data byte will be received and NOT ACK will be returned<br>Data byte will be received and ACK will be returned   |
|      |  | Read data byte    | X | 0 | 1 | 1 |  |
| 0x88 | Previously addressed with own SLA+W; data has been received; NOT ACK has been returned               | Read data byte or | 0 | 0 | 1 | 0 | Switched to the not addressed Slave mode; no recognition of own SLA or GCA<br>Switched to the not addressed Slave mode; own SLA will be recognized; GCA will be recognized if TWGCE = "1"<br>Switched to the not addressed Slave mode; no recognition of own SLA or GCA; a START condition will be transmitted when the bus becomes free<br>Switched to the not addressed Slave mode; own SLA will be recognized; GCA will be recognized if TWGCE = "1"; a START condition will be transmitted when the bus becomes free |
|      |  | Read data byte or | 0 | 0 | 1 | 1 |  |
|      |  | Read data byte or | 1 | 0 | 1 | 0 |  |
|      |  | Read data byte    | 1 | 0 | 1 | 1 |  |
| 0x90 | Previously addressed with general call; data has been received; ACK has been returned                | Read data byte or | X | 0 | 1 | 0 | Data byte will be received and NOT ACK will be returned<br>Data byte will be received and ACK will be returned   |
|      |  | Read data byte    | X | 0 | 1 | 1 |  |
| 0x98 | Previously addressed with general call; data has been received; NOT ACK has been returned            | Read data byte or | 0 | 0 | 1 | 0 | Switched to the not addressed Slave mode; no recognition of own SLA or GCA<br>Switched to the not addressed Slave mode; own SLA will be recognized; GCA will be recognized if TWGCE = "1"<br>Switched to the not addressed Slave mode; no recognition of own SLA or GCA; a START condition will be transmitted when the bus becomes free<br>Switched to the not addressed Slave mode; own SLA will be recognized; GCA will be recognized if TWGCE = "1"; a START condition will be transmitted when the bus becomes free |
|      |  | Read data byte or | 0 | 0 | 1 | 1 |  |
|      |  | Read data byte or | 1 | 0 | 1 | 0 |  |
|      |  | Read data byte    | 1 | 0 | 1 | 1 |  |

|      |   |           |   |   |   |   |  |
|------|---|-----------|---|---|---|---|--|
| 0xA0 | A STOP condition or repeated START condition has been received while still addressed as Slave | No action | 0 | 0 | 1 | 0 | Switched to the not addressed Slave mode; no recognition of own SLA or GCA<br>Switched to the not addressed Slave mode; own SLA will be recognized; GCA will be recognized if TWGCE = "1"<br>Switched to the not addressed Slave mode; no recognition of own SLA or GCA; a START condition will be transmitted when the bus becomes free<br>Switched to the not addressed Slave mode; own SLA will be recognized; GCA will be recognized if TWGCE = "1"; a START condition will be transmitted when the bus becomes free |
|      |   |           | 0 | 0 | 1 | 1 |  |
|      |   |           | 1 | 0 | 1 | 0 |  |
|      |   |           | 1 | 0 | 1 | 1 |  |

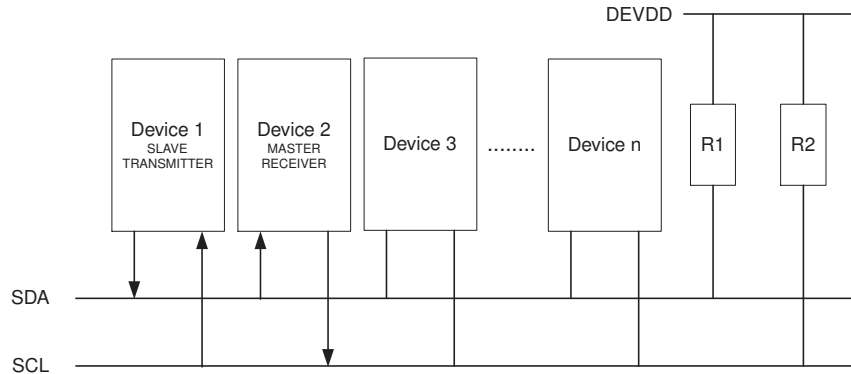
**Figure 25-16. Formats and States in the Slave Receiver Mode**



## 25.7.4 Slave Transmitter Mode

In the Slave Transmitter mode, a number of data bytes are transmitted to a Master Receiver (see Figure 25-17 on page 428). All the status codes mentioned in this section assume that the prescaler bits are zero or are masked to zero.

**Figure 25-17. Data Transfer in Slave Transmitter Mode**



To initiate the Slave Transmitter mode, TWAR and TWCR must be initialized as follows:

|       |                            |      |      |      |      |      |      |       |
|-------|----------------------------|------|------|------|------|------|------|-------|
| TWAR  | TWA6                       | TWA5 | TWA4 | TWA3 | TWA2 | TWA1 | TWA0 | TWGCE |
| Value | Device's Own Slave Address |      |      |      |      |      |      |       |

The upper seven bits are the address to which the 2-wire Serial Interface will respond when addressed by a Master. If the LSB is set, the TWI will respond to the general call address (0x00), otherwise it will ignore the general call address.

|       |       |      |       |       |      |      |   |      |
|-------|-------|------|-------|-------|------|------|---|------|
| TWCR  | TWINT | TWEA | TWSTA | TWSTO | TWWC | TWEN | – | TWIE |
| Value | 0     | 1    | 0     | 0     | 0    | 1    | 0 | X    |

TWEN must be written to one to enable the TWI. The TWEA bit must be written to one to enable the acknowledgement of the device's own slave address or the general call address. TWSTA and TWSTO must be written to zero.

When TWAR and TWCR have been initialized, the TWI waits until it is addressed by its own slave address (or the general call address if enabled) followed by the data direction bit. If the direction bit is "1" (read), the TWI will operate in ST mode, otherwise SR mode is entered. After its own slave address and the write bit have been received, the TWINT Flag is set and a valid status code can be read from TWSR. The status code is used to determine the appropriate software action. The appropriate action to be taken for each status code is detailed in [Table 25-6](#) on page 429. The Slave Transmitter mode may also be entered if arbitration is lost while the TWI is in the Master mode (see state 0xB0).

If the TWEA bit is written to zero during a transfer, the TWI will transmit the last byte of the transfer. State 0xC0 or state 0xC8 will be entered, depending on whether the Master Receiver transmits a NACK or ACK after the final byte. The TWI is switched to the not addressed Slave mode, and will ignore the Master if it continues the transfer. Thus the Master Receiver receives all "1" as serial data. State 0xC8 is entered if the Master demands additional data bytes (by transmitting ACK), even though the Slave has transmitted the last byte (TWEA zero and expecting NACK from the Master).

While TWEA is zero, the TWI does not respond to its own slave address. However, the 2-wire Serial Bus is still monitored and address recognition may resume at any time by setting TWEA. This implies that the TWEA bit may be used to temporarily isolate the TWI from the 2-wire Serial Bus.

In all sleep modes other than Idle mode, the clock system to the TWI is turned off. If the TWEA bit is set, the interface can still acknowledge its own slave address or the general call address by using the 2-wire Serial Bus clock as a clock source. The part

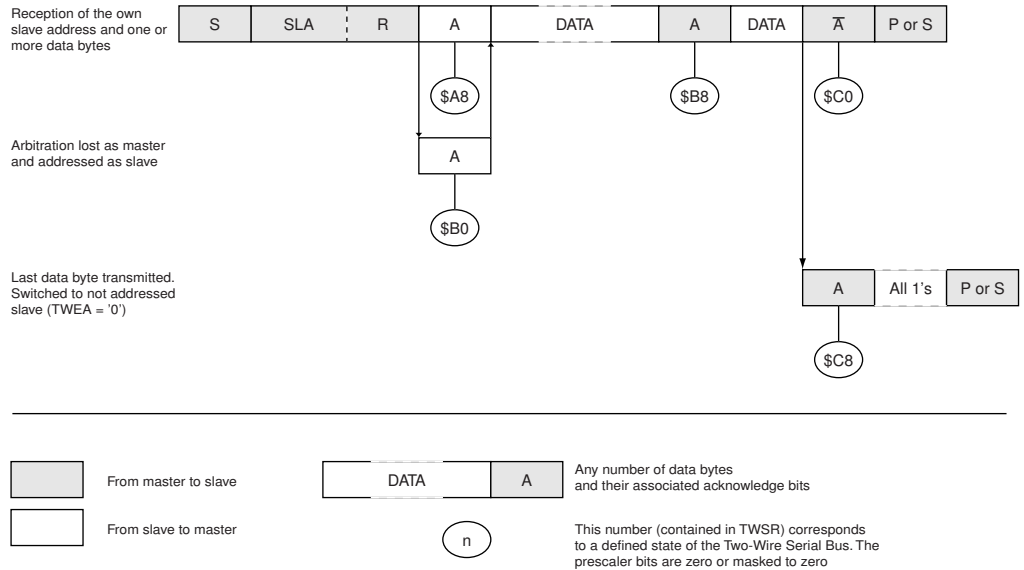
will then wake up from sleep and the TWI will hold the SCL clock low during the wake up and until the TWINT Flag is cleared (by writing it to one). Further data transmission will be carried out as normal, with the AVR clocks running as normal. Observe that if the AVR is set up with a long start-up time, the SCL line may be held low for a long time, blocking other data transmissions.

Note that the 2-wire Serial Interface Data Register – TWDR does not reflect the last byte present on the bus when waking up from these sleep modes.

**Table 25-6.** Status Code for Slave Transmitter Mode

| Status Code (TWSR) Prescaler Bits are 0 | Status of the 2-wire Serial Bus and 2-wire Serial Interface Hardware                      | Application Software Response |         |     |       |      | Next Action Taken by TWI Hardware  |
|---|---|-------------------------------|---------|-----|-------|------|--|
|   |   | To/from TWDR                  | To TWCR |     |       |      |  |
|   |   |                               | STA     | STD | TWINT | TWEA |  |
| 0xA8                                    | Own SLA+R has been received; ACK has been returned  | Load data byte or             | X       | 0   | 1     | 0    | Last data byte will be transmitted and NOT ACK should be received Data byte will be transmitted and ACK should be received   |
|   |   | Load data byte                | X       | 0   | 1     | 1    |  |
| 0xB0                                    | Arbitration lost in SLA+R/W as Master; own SLA+R has been received; ACK has been returned | Load data byte or             | X       | 0   | 1     | 0    | Last data byte will be transmitted and NOT ACK should be received Data byte will be transmitted and ACK should be received   |
|   |   | Load data byte                | X       | 0   | 1     | 1    |  |
| 0xB8                                    | Data byte in TWDR has been transmitted; ACK has been received                             | Load data byte or             | X       | 0   | 1     | 0    | Last data byte will be transmitted and NOT ACK should be received Data byte will be transmitted and ACK should be received   |
|   |   | Load data byte                | X       | 0   | 1     | 1    |  |
| 0xC0                                    | Data byte in TWDR has been transmitted; NOT ACK has been received                         | No TWDR action or             | 0       | 0   | 1     | 0    | Switched to the not addressed Slave mode; no recognition of own SLA or GCA<br>Switched to the not addressed Slave mode; own SLA will be recognized; GCA will be recognized if TWGCE = "1"<br>Switched to the not addressed Slave mode; no recognition of own SLA or GCA; a START condition will be transmitted when the bus becomes free<br>Switched to the not addressed Slave mode; own SLA will be recognized; GCA will be recognized if TWGCE = "1"; a START condition will be transmitted when the bus becomes free |
|   |   | No TWDR action or             | 0       | 0   | 1     | 1    |  |
|   |   | No TWDR action or             | 1       | 0   | 1     | 0    |  |
|   |   | No TWDR action                | 1       | 0   | 1     | 1    |  |
| 0xC8                                    | Last data byte in TWDR has been transmitted (TWEA = "0"); ACK has been received           | No TWDR action or             | 0       | 0   | 1     | 0    | Switched to the not addressed Slave mode; no recognition of own SLA or GCA<br>Switched to the not addressed Slave mode; own SLA will be recognized; GCA will be recognized if TWGCE = "1"<br>Switched to the not addressed Slave mode; no recognition of own SLA or GCA; a START condition will be transmitted when the bus becomes free<br>Switched to the not addressed Slave mode; own SLA will be recognized; GCA will be recognized if TWGCE = "1"; a START condition will be transmitted when the bus becomes free |
|   |   | No TWDR action or             | 0       | 0   | 1     | 1    |  |
|   |   | No TWDR action or             | 1       | 0   | 1     | 0    |  |
|   |   | No TWDR action                | 1       | 0   | 1     | 1    |  |

**Figure 25-18. Formats and States in the Slave Transmitter Mode**



## 25.7.5 Miscellaneous States

There are two status codes that do not correspond to a defined TWI state, see [Table 25-7 below](#).

Status 0xF8 indicates that no relevant information is available because the TWINT Flag is not set. This occurs between other states, and when the TWI is not involved in a serial transfer.

Status 0x00 indicates that a bus error has occurred during a 2-wire Serial Bus transfer. A bus error occurs when a START or STOP condition occurs at an illegal position in the format frame. Examples of such illegal positions are during the serial transfer of an address byte, a data byte, or an acknowledge bit. When a bus error occurs, TWINT is set. To recover from a bus error, the TWSTO Flag must set and TWINT must be cleared by writing a logic one to it. This causes the TWI to enter the not addressed Slave mode and to clear the TWSTO Flag (no other bits in TWCR are affected). The SDA and SCL lines are released, and no STOP condition is transmitted.

**Table 25-7. Miscellaneous States**

| Status Code (TWSR) Prescaler Bits are 0 | Status of the 2-wire Serial Bus and 2-wire Serial Interface Hardware | Application Software Response |                |     |       |      | Next Action Taken by TWI Hardware   |
|---|--|-------------------------------|----------------|-----|-------|------|---|
|   |  | To/from TWDR                  | To TWCR        |     |       |      |   |
|   |  |                               | STA            | STO | TWINT | TWEA |   |
| 0xF8                                    | No relevant state information available                              | TWDR action                   | No TWCR action |     |       |      | Wait or proceed current transfer  |
| 0x00                                    | Bus error due to an illegal START or STOP condition                  | No TWDR action                | 0              | 1   | 1     | X    | Only the internal hardware is affected, no STOP condition is sent on the bus. In all cases, the bus is released and TWSTO is cleared. |

## 25.7.6 Combining Several TWI Modes

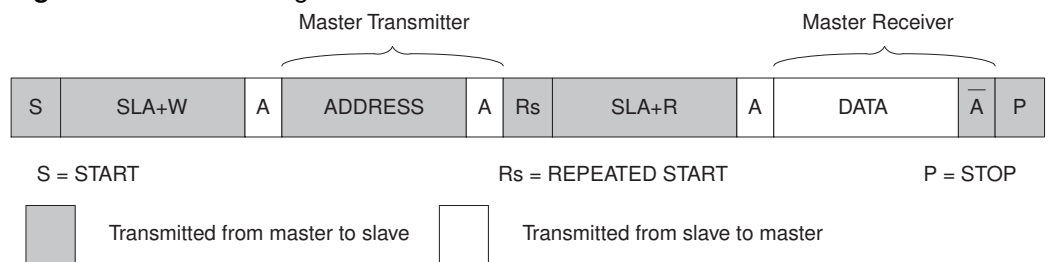
In some cases, several TWI modes must be combined in order to complete the desired action. Consider for example reading data from a serial EEPROM. Typically, such a transfer involves the following steps:

1. The transfer must be initiated.
2. The EEPROM must be instructed what location should be read.

3. The reading must be performed.
4. The transfer must be finished.

Note that data is transmitted both from Master to Slave and vice versa. The Master must instruct the Slave what location it wants to read, requiring the use of the MT mode. Subsequently, data must be read from the Slave, implying the use of the MR mode. Thus, the transfer direction must be changed. The Master must keep control of the bus during all these steps, and the steps should be carried out as an atomic operation. If this principle is violated in a multi-master system, another Master can alter the data pointer in the EEPROM between steps 2 and 3, and the Master will read the wrong data location. Such a change in transfer direction is accomplished by transmitting a REPEATED START between the transmission of the address byte and reception of the data. After a REPEATED START, the Master keeps ownership of the bus. The following figure shows the flow in this transfer.

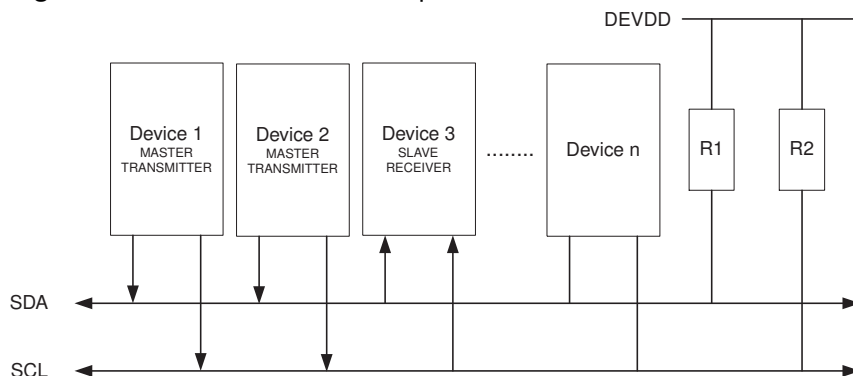
**Figure 25-19.** Combining Several TWI Modes to Access a Serial EEPROM



## 25.8 Multi-master Systems and Arbitration

If multiple masters are connected to the same bus, transmissions may be initiated simultaneously by one or more of them. The TWI standard ensures that such situations are handled in such a way that one of the masters will be allowed to proceed with the transfer, and that no data will be lost in the process. An example of an arbitration situation is depicted below, where two masters are trying to transmit data to a Slave Receiver.

**Figure 25-20.** An Arbitration Example



Several different scenarios may arise during arbitration, as described below:

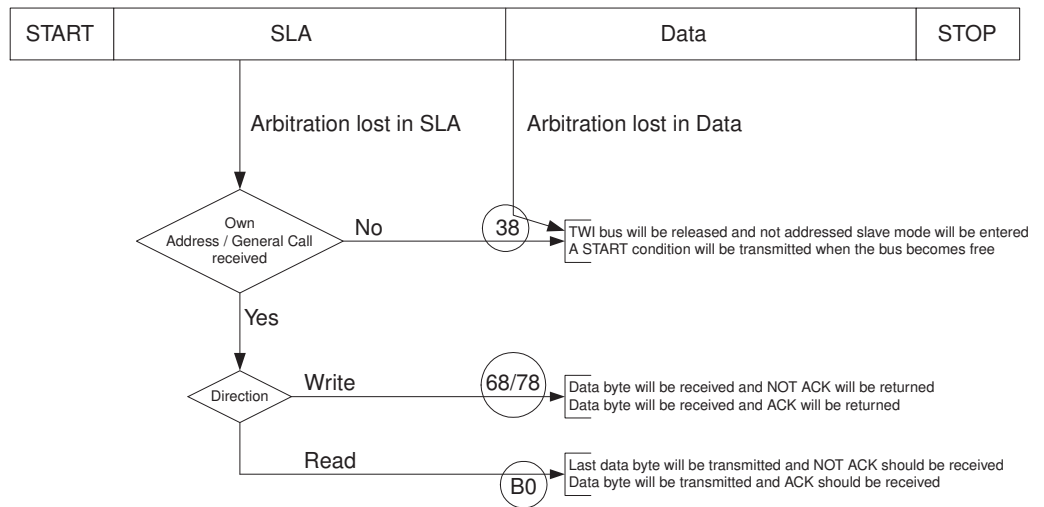
- Two or more masters are performing identical communication with the same Slave. In this case, neither the Slave nor any of the masters will know about the bus contention.
- Two or more masters are accessing the same Slave with different data or direction bit. In this case, arbitration will occur, either in the READ/WRITE bit or in the data bits. The masters trying to output a one on SDA while another Master outputs a zero

will lose the arbitration. Losing masters will switch to not addressed Slave mode or wait until the bus is free and transmit a new START condition, depending on application software action.

- Two or more masters are accessing different slaves. In this case, arbitration will occur in the SLA bits. Masters trying to output a one on SDA while another Master outputs a zero will lose the arbitration. Masters losing arbitration in SLA will switch to Slave mode to check if they are being addressed by the winning Master. If addressed, they will switch to SR or ST mode, depending on the value of the READ/WRITE bit. If they are not being addressed, they will switch to not addressed Slave mode or wait until the bus is free and transmit a new START condition, depending on application software action.

This is summarized in [Figure 25-21 below](#). Possible status values are given in circles.

**Figure 25-21. Possible Status Codes Caused by Arbitration**



## 25.9 Register Description

### 25.9.1 TWBR – TWI Bit Rate Register

| Bit           | 7              | 6  | 5  | 4  | 3  | 2  | 1  | 0  |             |
|---------------|----------------|----|----|----|----|----|----|----|-------------|
| NA (\$B8)     | <b>TWBR7:0</b> |    |    |    |    |    |    |    | <b>TWBR</b> |
| Read/Write    | RW             | RW | RW | RW | RW | RW | RW | RW |             |
| Initial Value | 0              | 0  | 0  | 0  | 0  | 0  | 0  | 0  |             |

The SCL period is controlled by settings in the TWI Bit Rate Register (TWBR) and the Prescaler bits in the TWI Status Register (TWSR). Slave operation does not depend on Bit Rate or Prescaler settings, but the CPU clock frequency in the Slave must be at least 16 times higher than the SCL frequency.

- **Bit 7:0 – TWBR7:0 - TWI Bit Rate Register Value**

The TWBR register selects the division factor for the bit rate generator. The bit rate generator is a frequency divider which generates the SCL clock frequency in the Master modes. See section "Bit Rate Generator Unit" for calculating bit rates.



## 25.9.2 TWCR – TWI Control Register

| Bit           | 7            | 6           | 5            | 4            | 3           | 2           | 1          | 0           |             |
|---------------|--------------|-------------|--------------|--------------|-------------|-------------|------------|-------------|-------------|
| NA (\$BC)     | <b>TWINT</b> | <b>TWEA</b> | <b>TWSTA</b> | <b>TWSTO</b> | <b>TWWC</b> | <b>TWEN</b> | <b>Res</b> | <b>TWIE</b> | <b>TWCR</b> |
| Read/Write    | RW           | RW          | RW           | RW           | RW          | RW          | R          | RW          |             |
| Initial Value | 0            | 0           | 0            | 0            | 0           | 0           | 0          | 0           |             |

The TWCR is used to control the operation of the TWI. It is used to enable the TWI, to initiate a Master access by applying a START condition to the bus, to generate a Receiver acknowledge, to generate a stop condition, and to control halting of the bus while the data to be written to the bus are put into the TWDR. It also indicates a write collision if data writing to TWDR is attempted while the register is inaccessible.

- **Bit 7 – TWINT - TWI Interrupt Flag**

This bit is set by hardware when the TWI has finished its current job and expects application software response. If the I-bit in SREG and TWIE in TWCR are set, the MCU will jump to the TWI Interrupt Vector. While the TWINT Flag is set, the SCL low period is stretched. The TWINT Flag must be cleared by software by writing a logic one to it. Note that this flag is not automatically cleared by hardware when executing the interrupt routine. Also note that clearing this flag starts the operation of the TWI. So all accesses to the TWI Address Register (TWAR), TWI Status Register (TWSR) and TWI Data Register (TWDR) must be complete before clearing this flag.

- **Bit 6 – TWEA - TWI Enable Acknowledge Bit**

The TWEA bit controls the generation of the acknowledge pulse. If the TWEA bit is written to one, the ACK pulse is generated on the TWI bus if the following conditions are met: 1. The device's own slave address has been received; 2. A general call has been received, while the TWGCE bit in the TWAR is set. 3. A data byte has been received in Master Receiver or Slave Receiver mode. By writing the TWEA bit to zero, the device can be virtually disconnected from the 2-wire Serial Bus temporarily. Address recognition can then be resumed by writing the TWEA bit to one again.

- **Bit 5 – TWSTA - TWI START Condition Bit**

The application writes the TWSTA bit to one when it desires to become a Master on the 2-wire Serial Bus. The TWI hardware checks if the bus is available and generates a START condition on the bus if it is free. However, if the bus is not free, the TWI waits until a STOP condition is detected and then generates a new START condition to claim the bus Master status. TWSTA must be cleared by software when the START condition has been transmitted.

- **Bit 4 – TWSTO - TWI STOP Condition Bit**

Writing the TWSTO bit to one in Master mode will generate a STOP condition on the 2-wire Serial Bus. When the STOP condition is executed on the bus, the TWSTO bit is cleared automatically. In Slave mode, setting the TWSTO bit can be used to recover from an error condition. This will not generate a STOP condition, but the TWI returns to a well-defined not-addressed Slave mode and releases the SCL and SDA lines to a high impedance state.

- **Bit 3 – TWWC - TWI Write Collision Flag**

The TWWC bit is set when attempting to write to the TWI Data Register TWDR when TWINT is low. This flag is cleared by writing the TWDR Register when TWINT is high.

- **Bit 2 – TWEN - TWI Enable Bit**

The TWEN bit enables TWI operation and activates the TWI interface. When TWEN is written to one, the TWI takes control over the I/O ports connected to the SCL and SDA

pins enabling the slew-rate limiters and spike filters. If this bit is written to zero, the TWI is switched off and all TWI transmissions are terminated regardless of any ongoing operation.

- **Bit 1 – Res - Reserved Bit**

This bit is reserved for future use. A read access always will return zero. A write access does not modify the content.

- **Bit 0 – TWIE - TWI Interrupt Enable**

When this bit is written to one and the I-bit in SREG is set, the TWI interrupt request will be activated for as long as the TWINT Flag is high.

### 25.9.3 TWSR – TWI Status Register

|               |             |             |             |             |             |            |              |              |             |
|---------------|-------------|-------------|-------------|-------------|-------------|------------|--------------|--------------|-------------|
| Bit           | 7           | 6           | 5           | 4           | 3           | 2          | 1            | 0            |             |
| NA (\$B9)     | <b>TWS7</b> | <b>TWS6</b> | <b>TWS5</b> | <b>TWS4</b> | <b>TWS3</b> | <b>Res</b> | <b>TWPS1</b> | <b>TWPS0</b> | <b>TWSR</b> |
| Read/Write    | RW          | RW          | RW          | RW          | RW          | R          | RW           | RW           |             |
| Initial Value | 0           | 0           | 0           | 0           | 0           | 0          | 0            | 0            |             |

- **Bit 7:3 – TWS4:0 - TWI Status**

These 5 bits reflect the status of the TWI logic and the 2-wire Serial Bus. The different status codes for both transmitter and receiver mode are described in the following table. Note that the value read from TWSR contains both the 5-bit status value and the 2-bit prescaler value. The application designer should mask the prescaler bits to zero when checking the Status bits. This makes status checking independent of prescaler setting. This approach is used in this datasheet, unless otherwise noted.

**Table 25-8** TWS Register Bits

| Register Bits | Value | Description   |
|---------------|-------|---|
| TWS4:0        | 0x00  | Bus error due to illegal START or STOP condition.   |
|               | 0x08  | A START condition has been transmitted.   |
|               | 0x10  | A repeated START condition has been transmitted.  |
|               | 0x18  | SLA+W has been transmitted; ACK has been received.  |
|               | 0x20  | SLA+W has been transmitted; NOT ACK has been received.  |
|               | 0x28  | Data byte has been transmitted; ACK has been received.  |
|               | 0x30  | Data byte has been transmitted; NOT ACK has been received.  |
|               | 0x38  | Arbitration lost in SLA+W or data bytes (Transmitter); Arbitration lost in SLA+R or NOT ACK bit (Receiver). |
|               | 0x40  | SLA+R has been transmitted; ACK has been received.  |
|               | 0x48  | SLA+R has been transmitted; NOT ACK has been received.  |
|               | 0x50  | Data byte has been received; ACK has been   |

| Register Bits | Value | Description   |
|---------------|-------|---|
|               |       | returned.   |
|               | 0x58  | Data byte has been received; NOT ACK has been returned.   |
|               | 0x60  | Own SLA+W has been received; ACK has been returned.   |
|               | 0x68  | Arbitration lost in SLA+R/W as Master; own SLA+W has been received; ACK has been returned.            |
|               | 0x70  | General call address has been received; ACK has been returned.  |
|               | 0x78  | Arbitration lost in SLA+R/W as Master; general call address has been received; ACK has been returned. |
|               | 0x80  | Previously addressed with own SLA+W; data has been received; ACK has been returned.                   |
|               | 0x88  | Previously addressed with own SLA+W; data has been received; NOT ACK has been returned.               |
|               | 0x90  | Previously addressed with general call; data has been received; ACK has been returned.                |
|               | 0x98  | Previously addressed with general call; data has been received; NOT ACK has been returned.            |
|               | 0xA0  | A STOP condition or repeated START condition has been received while still addressed as Slave.        |
|               | 0xA8  | Own SLA+R has been received; ACK has been returned.   |
|               | 0xB0  | Arbitration lost in SLA+R/W as Master; own SLA+R has been received; ACK has been returned.            |
|               | 0xB8  | Data byte in TWDR has been transmitted; ACK has been received.  |
|               | 0xC0  | Data byte in TWDR has been transmitted; NO ACK has been received.                                     |
|               | 0xC8  | Last data byte in TWDR has been transmitted (TWEA = 0); ACK has been received.                        |
|               | 0xF8  | No relevant state information available; TWINT = 0.   |

- **Bit 2 – Res - Reserved Bit**

This bit is reserved for future use. A read access always will return zero. A write access does not modify the content.

- **Bit 1:0 – TWPS1:0 - TWI Prescaler Bits**

These bits can be read and written and control the bit rate of the prescaler.

**Table 25-9** TWPS Register Bits

| Register Bits | Value | Description |
|---------------|-------|-------------|
| TWPS1:0       | 0x00  | 1           |

| Register Bits | Value | Description |
|---------------|-------|-------------|
|               | 0x01  | 4           |
|               | 0x02  | 16          |
|               | 0x03  | 64          |

## 25.9.4 TWDR – TWI Data Register

| Bit           | 7           | 6           | 5           | 4           | 3           | 2           | 1           | 0           |             |
|---------------|-------------|-------------|-------------|-------------|-------------|-------------|-------------|-------------|-------------|
| NA (\$BB)     | <b>TWD7</b> | <b>TWD6</b> | <b>TWD5</b> | <b>TWD4</b> | <b>TWD3</b> | <b>TWD2</b> | <b>TWD1</b> | <b>TWD0</b> | <b>TWDR</b> |
| Read/Write    | RW          | RW          | RW          | RW          | RW          | RW          | RW          | RW          |             |
| Initial Value | 1           | 1           | 1           | 1           | 1           | 1           | 1           | 1           |             |

In Transmit mode, TWDR contains the next byte to be transmitted. In Receive mode, the TWDR contains the last byte received. It is writable while the TWI is not in the process of shifting a byte. This occurs when the TWI Interrupt Flag (TWINT) is set by hardware. Note that the Data Register cannot be initialized by the user before the first interrupt occurs. The data in TWDR remains stable as long as TWINT is set. While data is shifted out, data on the bus is simultaneously shifted in. TWDR always contains the last byte present on the bus, except after a wake up from a sleep mode by the TWI interrupt. In this case, the contents of TWDR is undefined. In the case of a lost bus arbitration, no data is lost in the transition from Master to Slave. Handling of the ACK bit is automatically controlled by the TWI logic. The CPU cannot access the ACK bit directly.

- **Bit 7:0 – TWD7:0 - TWI Data Register Byte**

## 25.9.5 TWAR – TWI (Slave) Address Register

| Bit           | 7           | 6           | 5           | 4           | 3           | 2           | 1           | 0            |             |
|---------------|-------------|-------------|-------------|-------------|-------------|-------------|-------------|--------------|-------------|
| NA (\$BA)     | <b>TWA6</b> | <b>TWA5</b> | <b>TWA4</b> | <b>TWA3</b> | <b>TWA2</b> | <b>TWA1</b> | <b>TWA0</b> | <b>TWGCE</b> | <b>TWAR</b> |
| Read/Write    | RW          | RW          | RW          | RW          | RW          | RW          | RW          | RW           |             |
| Initial Value | 0           | 0           | 0           | 0           | 0           | 0           | 0           | 0            |             |

The TWAR should be loaded with the 7-bit Slave address (in the seven most significant bits of TWAR) to which the TWI will respond when programmed as a Slave Transmitter or Receiver. This register is not needed in the Master modes. In multi-master systems TWAR must be set in Masters which can be addressed as Slaves by other Masters. The LSB of TWAR is used to enable the recognition of the general call address (0x00). There is an associated address comparator that looks for the slave address (or general call address if enabled) in the received serial address. If a match is found, an interrupt request is generated.

- **Bit 7:1 – TWA6:0 - TWI (Slave) Address**

These bits contain the TWI address operated as a Slave device.

- **Bit 0 – TWGCE - TWI General Call Recognition Enable Bit**

If set, this bit enables the recognition of a General Call given over the 2-wire Serial Bus.

## 25.9.6 TWAMR – TWI (Slave) Address Mask Register

| Bit           | 7            | 6            | 5            | 4            | 3            | 2            | 1            | 0          |       |
|---------------|--------------|--------------|--------------|--------------|--------------|--------------|--------------|------------|-------|
| NA (\$BD)     | <b>TWAM6</b> | <b>TWAM5</b> | <b>TWAM4</b> | <b>TWAM3</b> | <b>TWAM2</b> | <b>TWAM1</b> | <b>TWAM0</b> | <b>Res</b> | TWAMR |
| Read/Write    | RW           | RW           | RW           | RW           | RW           | RW           | RW           | R          |       |
| Initial Value | 0            | 0            | 0            | 0            | 0            | 0            | 0            | 0          |       |

- **Bit 7:1 – TWAM6:0 - TWI Address Mask**

The TWAMR can be loaded with a 7-bit Slave Address mask. Each of the bits in TWAMR can mask (disable) the corresponding address bit in the TWI Address Register (TWAR). If the mask bit is set to one then the address match logic ignores the compare between the incoming address bit and the corresponding bit in TWAR.

- **Bit 0 – Res - Reserved Bit**

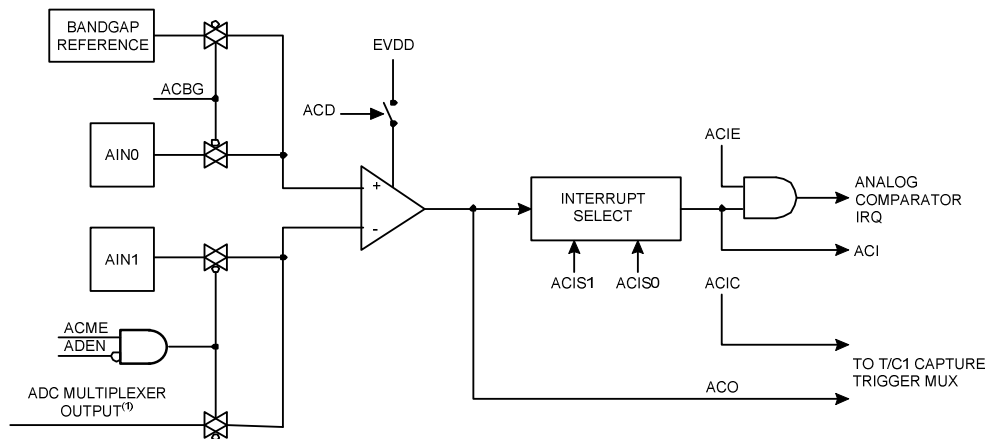
This bit is reserved for future use. A read access always will return zero. A write access does not modify the content.

## 26 AC – Analog Comparator

The Analog Comparator compares the input values on the positive pin AIN0 and negative pin AIN1. When the voltage on the positive pin AIN0 is higher than the voltage on the negative pin AIN1, the Analog Comparator output, ACO, is set. The comparator's output can be set to trigger the Timer/Counter1 Input Capture function. In addition, the comparator can trigger a separate interrupt, exclusive to the Analog Comparator. The user can select Interrupt triggering on comparator output rise, fall or toggle. A block diagram of the comparator and its surrounding logic is shown in [Figure 26-1 below](#).

The Power Reduction ADC bit PRADC in PRR0 (see "[PRR0 – Power Reduction Register0](#)" on page 195) must be disabled by writing a logical zero to be able to use the ADC input multiplexer.

**Figure 26-1. Analog Comparator Block Diagram**



- Note:
1. See [Table 26-1 below](#).
  2. Refer to [Figure 1-1 on page 2](#) and [Table 14-9 on page 228](#) for Analog Comparator pin placement.

### 26.1 Analog Comparator Multiplexed Input

It is possible to select any of the ADC7:0 pins as the negative input of the Analog Comparator. The ADC multiplexer is used to select this input and consequently the ADC must be switched off to utilize this feature. If the Analog Comparator Multiplexer Enable bit (ACME in ADCSRB) is set and the ADC is switched off (ADEN in ADCSRA is zero), MUX5 and MUX2:0 in ADMUX select the input pin to replace the negative input to the Analog Comparator, as shown in [Table 26-1 below](#). If ACME is cleared or ADEN is set, AIN1 is applied to the negative input to the Analog Comparator.

**Table 26-1. Analog Comparator Multiplexed Input**

| ACME | ADEN | MUX5 | MUX2:0 | Analog Comparator Negative Input |
|------|------|------|--------|----------------------------------|
| 0    | x    | x    | xxx    | AIN1                             |
| 1    | 1    | x    | xxx    | AIN1                             |
| 1    | 0    | 0    | 000    | ADC0                             |
| 1    | 0    | 0    | 001    | ADC1                             |
| 1    | 0    | 0    | 010    | ADC2                             |
| 1    | 0    | 0    | 011    | ADC3                             |
| 1    | 0    | 0    | 100    | ADC4                             |

| ACME | ADEN | MUX5 | MUX2:0 | Analog Comparator Negative Input |
|------|------|------|--------|----------------------------------|
| 1    | 0    | 0    | 101    | ADC5                             |
| 1    | 0    | 0    | 110    | ADC6                             |
| 1    | 0    | 0    | 111    | ADC7                             |

## 26.2 Register Description

### 26.2.1 ACSR – Analog Comparator Control And Status Register

| Bit           | 7          | 6           | 5          | 4          | 3           | 2           | 1            | 0            |             |
|---------------|------------|-------------|------------|------------|-------------|-------------|--------------|--------------|-------------|
| \$30 (\$50)   | <b>ACD</b> | <b>ACBG</b> | <b>ACO</b> | <b>ACI</b> | <b>ACIE</b> | <b>ACIC</b> | <b>ACIS1</b> | <b>ACIS0</b> | <b>ACSR</b> |
| Read/Write    | RW         | RW          | R          | RW         | RW          | RW          | RW           | RW           |             |
| Initial Value | 0          | 0           | NA         | 0          | 0           | 0           | 0            | 0            |             |

- **Bit 7 – ACD - Analog Comparator Disable**

When this bit is written logic one, the power to the Analog Comparator is switched off. This bit can be set at any time to turn off the Analog Comparator. This will reduce power consumption in Active and Idle mode. When changing the ACD bit, the Analog Comparator Interrupt must be disabled by clearing the ACIE bit in ACSR. Otherwise an interrupt can occur when the bit is changed.

- **Bit 6 – ACBG - Analog Comparator Bandgap Select**

When this bit is set, a fixed bandgap reference voltage connects to the positive input of the Analog Comparator. When this bit is cleared, AIN0 is applied to the positive input of the Analog Comparator. When the bandgap reference is used as the input of the Analog Comparator, it will take a certain time for the voltage to stabilize. If not stabilized, the first comparison may give a wrong value. See section "Internal Voltage Reference" for details.

- **Bit 5 – ACO - Analog Compare Output**

The output of the analog comparator is synchronized and then directly connected to ACO. The synchronization introduces a delay of 1-2 clock cycles.

- **Bit 4 – ACI - Analog Comparator Interrupt Flag**

This bit is set by hardware when a comparator output event triggers the interrupt mode defined by ACIS1 and ACIS0. The Analog Comparator Interrupt routine is executed if the ACIE bit is set and the I-bit in SREG is set. ACI is cleared by hardware when executing the corresponding interrupt handling vector. Alternatively, ACI is cleared by writing a logic one to the flag.

- **Bit 3 – ACIE - Analog Comparator Interrupt Enable**

When the ACIE bit is written logic one and the I-bit in the Status Register is set, the analog comparator interrupt is activated. When written logic zero, the interrupt is disabled.

- **Bit 2 – ACIC - Analog Comparator Input Capture Enable**

When written logic one, this bit enables the input capture function in Timer/Counter1 to be triggered by the Analog Comparator. The comparator output is in this case directly connected to the input capture front-end logic, making the comparator utilize the noise canceler and edge select features of the Timer/Counter1 Input Capture interrupt. When written logic zero, no connection between the Analog Comparator and the input capture function exists. To make the comparator trigger the Timer/Counter1 Input Capture interrupt, the ICIE1 bit in the Timer Interrupt Mask Register (TIMSK1) must be set.

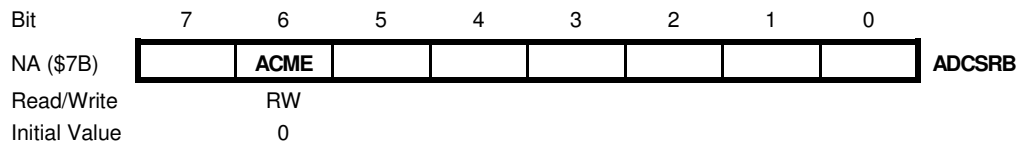
- **Bit 1:0 – ACIS1:0 - Analog Comparator Interrupt Mode Select**

These bits determine which comparator events that trigger the Analog Comparator interrupt. The different settings are shown in the following table. When changing the ACIS1/ACIS0 bits, the Analog Comparator Interrupt must be disabled by clearing its Interrupt Enable bit in the ACSR Register. Otherwise an interrupt can occur when the bits are changed.

**Table 26-2** ACIS Register Bits

| Register Bits | Value | Description               |
|---------------|-------|---------------------------|
| ACIS1:0       | 0x00  | Interrupt on Toggle       |
|               | 0x01  | Reserved                  |
|               | 0x02  | Interrupt on Falling Edge |
|               | 0x03  | Interrupt on Rising Edge  |

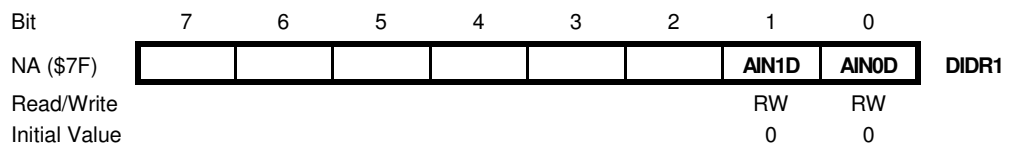
## 26.2.2 ADCSRB – ADC Control and Status Register B



- **Bit 6 – ACME - Analog Comparator Multiplexer Enable**

When this bit is written logic one and the ADC is switched off (ADEN in ADCSRA is zero), the ADC multiplexer defines the negative input of the Analog Comparator. When this bit is written logic zero, AIN1 is applied to the negative input of the Analog Comparator. For a detailed description of this bit, see section "Analog Comparator Multiplexed Input".

## 26.2.3 DIDR1 – Digital Input Disable Register 1



- **Bit 1 – AIN1D - AIN1 Digital Input Disable**

When this bit is written logic one, the digital input buffer on the AIN1 pin is disabled. The corresponding PIN Register bit will always read as zero when this bit is set. When an analog signal is applied to the AIN1 pin and the digital input from this pin is not needed, this bit should be written logic one to reduce power consumption in the digital input buffer.

- **Bit 0 – AIN0D - AIN0 Digital Input Disable**

When this bit is written logic one, the digital input buffer on the AIN0 pin is disabled. The corresponding PIN Register bit will always read as zero when this bit is set. When an analog signal is applied to the AIN0 pin and the digital input from this pin is not needed, this bit should be written logic one to reduce power consumption in the digital input buffer.





## 27 ADC – Analog to Digital Converter

### 27.1 Features

- **10-bit Resolution**
- **Differential Non-Linearity is less than  $\pm 0.5$  LSB**
- **2 LSB Integral Non-Linearity**
- **3 - 240  $\mu$ s Conversion Time**
- **Up to 330 kSPS (Up to 570 kSPS with 8-bit Resolution)**
- **8 Multiplexed Single Ended Input Channels**
- **11 Differential Input Channels**
- **2 Differential Input Channels with an Optional Gain of 10x and 200x**
- **Internal Linear Temperature Sensor**
- **Supply Voltage ( $V_{EVDD}$ ) Measurement**
- **Optional Left Adjustment for ADC Result Readout**
- **0 -  $V_{AVDD}$  ADC Input Voltage Range**
- **0 -  $V_{EVDD}$  Differential ADC Input Voltage Range**
- **Selectable 1.5V, 1.6V or  $V_{AVDD}$  ADC Reference Voltage**
- **Free Running or Single Conversion Mode**
- **Interrupt on ADC Conversion Complete**
- **Sleep Mode Noise Canceller**

The ATmega2564/1284/644RFR2 features a 10-bit successive approximation ADC. The ADC is connected to an 8-channel Analog Multiplexer which allows eight single-ended voltage inputs constructed from the pins of Port F. The single-ended voltage inputs refer to 0V (AVSS).

The device also supports multiple differential voltage input combinations. Two of the differential inputs (ADC1 & ADC0 and ADC3 & ADC2) are equipped with a programmable gain stage, providing amplification steps of 0 dB (1x), 20 dB (10x) or 46 dB (200x) on the differential input voltage before the A/D conversion. The differential input channels are constructed of pairs out of the 8 single-ended inputs. They share a common negative terminal (ADC0, ADC1 or ADC2), while most of the other ADC inputs can be selected as the positive input terminal. If 1x or 10x gain is used, 8 bit resolution can be expected. If 200x gain is used, 6 bit resolution can be expected.

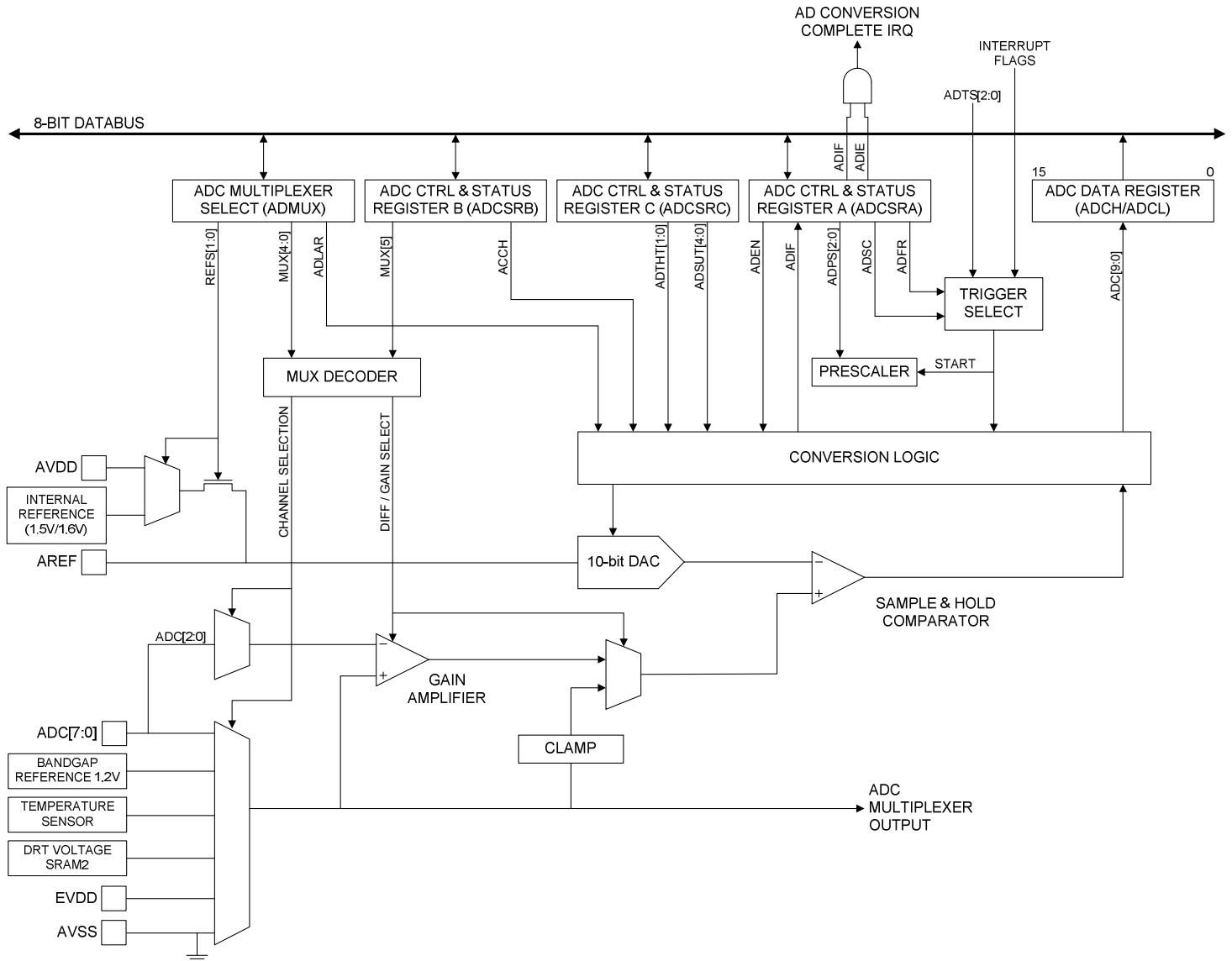
The ADC contains a Sample and Hold circuit which ensures that the input voltage to the ADC is held at a constant level during conversion. A block diagram of the ADC is shown in [Figure 27-1 on page 443](#).

The analog components of the ADC are supplied from the analog supply voltage AVDD. AVDD is generated from EVDD by an internal voltage generator. The logic part of the ADC is supplied from the digital supply voltage DVDD. DVDD is generated from DEVDD also by an internal voltage generator.

Internal reference voltages of nominally 1.5V, 1.6V or AVDD (1.8V) are provided on-chip. The 1.6V reference is calibrated to  $\pm 1$  LSB during manufacturing. The reference voltage can be monitored at the AREF pin. Additional de-coupling capacitance at AREF is not required. A high capacitive loading of AREF will de-stabilize the internal reference voltage generation. An external reference voltage in the range of  $0 < V_{AREF,EXT} \leq V_{AVDD}$  may be used but must be supplied with a very low impedance.

The Power Reduction ADC bit, PRADC (see "PRR0 – Power Reduction Register0" on page 195) must be disabled by writing a logical zero to enable the ADC.

**Figure 27-1.** Analog to Digital Converter Block Schematic



## 27.2 Operation

The ADC converts an analog input voltage to a 10-bit digital value through successive approximation. The minimum value represents 0V (conversion result 0x000) and the maximum value in single ended mode represents the reference voltage minus 1 LSB (conversion result 0x3FF). The reference voltage can be measured at the AREF pin. The internal, generated reference voltage can have the values 1.5V, 1.6V or AVDD where the 1.6V has the highest absolute accuracy. The reference voltage is selected by writing to the REFSn bits in the ADMUX Register. An external reference voltage can also be selected. Such an external voltage must be supplied with a very low impedance  $R_{AREF,EXT}$  (see "ADC Characteristics" on page 558). The load current  $I_{L,AREF}$  (see "ADC Characteristics" on page 558) seen by the external source is code dependent and

changes in the course of the successive approximation process (load current steps). The internal voltage reference (except AVDD) must not be decoupled by an external capacitor. Adding unnecessary external capacitance at the AREF pin will cause instable operation of the internal reference voltage buffer and will not improve noise immunity.

The analog input channel is selected by writing to the MUX bits in ADMUX and ADCSRB. Any of the ADC input pins, as well as AVSS and a fixed bandgap voltage reference can be selected as single ended inputs to the ADC. A choice of ADC input pins can be selected as positive and negative inputs to the differential amplifier. Furthermore the temperature sensor and the DRT voltages of SRAM2 can also be processed with the ADC.

If differential channels are selected, the amplified voltage difference between the selected input channel pair then becomes the input of the ADC. The respective pin voltages for a differential measurement can be in the range from 0V to EVDD. In this way it is possible to handle differential input voltages with a common mode value higher than AVDD e.g. process a 50mV differential signal with a 2.5V common mode voltage. If single ended channels are used, the gain amplifier is bypassed altogether. Any ADC input voltage (single-ended or amplified-differential) exceeding AVDD will be internally clamped to AVDD to avoid damaging the ADC circuitry. Note that the pin input current will not increase if the clamp circuit is active.

The ADC is enabled by setting ADEN bit in ADCSRA. Voltage reference and input channel selections will not go into effect until ADEN is set. The ADC does not consume power when ADEN is cleared. It is required to disable the ADC before entering power saving sleep modes.

The ADC generates a 10-bit result which is presented in the ADC Data Registers, ADCH and ADCL. By default, the result is presented right adjusted, but can optionally be presented left adjusted by setting the ADLAR bit in ADMUX.

If the result is left adjusted and no more than 8-bit precision is required, it is sufficient to read ADCH. Otherwise, ADCL must be read first, then ADCH, to ensure that the content of the Data Registers belongs to the same conversion. Once ADCL is read, ADC access to Data Registers is blocked. This means that if ADCL has been read, and a conversion completes before ADCH is read, neither register is updated and the result from the conversion is lost. When ADCH is read, ADC access to the ADCH and ADCL Registers is re-enabled.

The ADC has its own interrupt which can be triggered when a conversion completes. When ADC access to the Data Registers is prohibited between reading of ADCH and ADCL, the interrupt will trigger even if the result is lost.

## 27.3 ADC Start-Up

After the ADC is enabled by setting ADEN, it will go through a start-up phase. The analog supply voltage AVDD is turned on. It takes time  $t_{AVREG}$  (see "[Power Management Electrical Characteristics](#)" on page 554)  $\mu$ s for AVDD to stabilize. A stable AVDD voltage is indicated by the AVDDOK bit in ADCSRB. After this the ADC and, for differential input channels also the gain amplifier, is powered up. The duration of this phase depends on the ADC clock period and the configuration of the Start-Up and Track-And-Hold Time bits, ADSUT and ADTHT in ADCSRC. For details about the start-up timing refer to section "[Pre-scaling and Conversion Timing](#)" on page 446.

During the ADC start-up phase a conversion start can already be requested by writing a logical one to the ADC Start Conversion bit, ADSC in ADCSRA. In this case a conversion is started directly after the start-up phase. During the start-up phase it is still

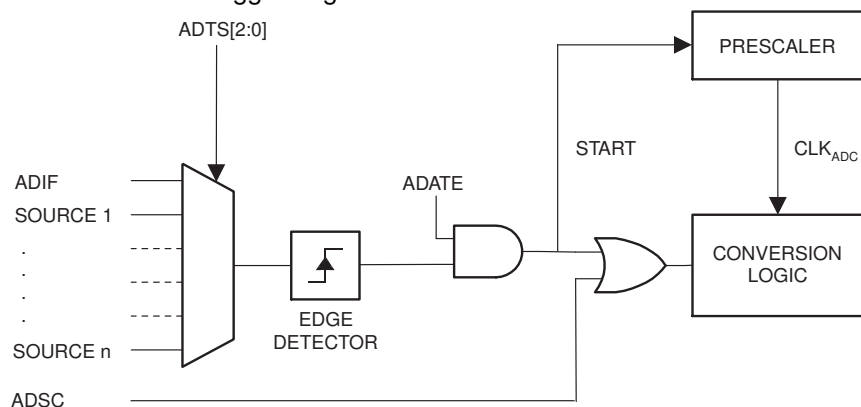
possible to change the analog input channel until the AVDDOK bit changes to logic one or, if the AVDDOK bit is one, until the ADSC bit is set.

## 27.4 Starting a Conversion

A single conversion is started by writing a logical one to the ADC Start Conversion bit, ADSC. This bit stays high as long as the conversion is in progress and will be cleared by hardware when the conversion is completed. If a different data channel is selected while a conversion is in progress, the ADC will finish the current conversion before performing the channel change.

Alternatively, a conversion can be triggered automatically by various sources. Auto Triggering is enabled by setting the ADC Auto Trigger Enable bit, ADATE in ADCSRA. The trigger source is selected by setting the ADC Trigger Select bits, ADTS in ADCSRB (See description of the ADTS bits for a list of the trigger sources). When a positive edge occurs on the selected trigger signal, the ADC prescaler is reset and a conversion is started. This provides a method of starting conversions at fixed intervals. If the trigger signal still is set when the conversion completes, a new conversion will not be started. If another positive edge occurs on the trigger signal during conversion, the edge will be ignored. Note that an Interrupt Flag will be set even if the specific interrupt is disabled or the Global Interrupt Enable bit in SREG is cleared. A conversion can thus be triggered without causing an interrupt. However, the Interrupt Flag must be cleared in order to trigger a new conversion at the next interrupt event.

**Figure 27-2.** ADC Auto Trigger Logic



Using the ADC Interrupt Flag as a trigger source makes the ADC start a new conversion as soon as the ongoing conversion has finished. The ADC then operates in Free Running mode, constantly sampling and updating the ADC Data Register. The first conversion must be started by writing a logical one to the ADSC bit in ADCSRA. In this mode the ADC will perform successive conversions independently of whether the ADC Interrupt Flag, ADIF is cleared or not.

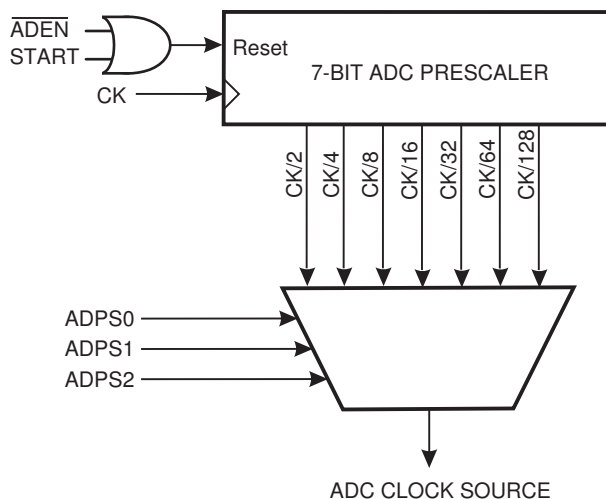
If Auto Triggering is enabled, single conversions can be started by writing ADSC in ADCSRA to one. ADSC can also be used to determine if a conversion is in progress. The ADSC bit will be read as one during a conversion, independently of how the conversion was started.

## 27.5 Pre-scaling and Conversion Timing

### 27.5.1 Prescaler

By default, the successive approximation circuitry requires an input clock frequency between 50 kHz and 4 MHz. If a lower resolution than 10 bits is needed, the input clock frequency to the ADC can be as high as 8 MHz to get a higher sample rate. For differential input channels the ADC clock speed is restricted to a maximum of 2 MHz.

**Figure 27-3.** ADC Prescaler



The ADC module contains a prescaler, which generates an acceptable ADC clock frequency from any CPU frequency above 100 kHz. The pre-scaling is set by the ADPS bits in ADCSRA. The prescaler starts counting from the moment when the ADC is enabled. The prescaler keeps running for as long as the ADEN bit is set, and is continuously reset when ADEN is low.

- Note:
1. If the ADC prescaler value is changed while ADCEN is high then the resulting start-up and track-and-hold times may be incorrect. These timings are set defined by the ADSUT and ADTHT bits in register ADCSRC. Change ADC prescaler only when ADC is disabled (ADEN=0).

### 27.5.2 Start-Up Timing

The ADC is enabled by setting the ADEN bit in ADCSRA. First the analog voltage regulator is powered up which takes  $t_{AVREG}$  (see "Power Management Electrical Characteristics" on page 554). A stable AVDD is indicated by the AVDDOK bit in ADCSRB.

After AVDD has stabilized, the ADC is started. The ADC start-up time has a length of  $t_{ADSU}$  and can be adjusted by the Start-Up time bits ADSUT5:0 in ADCSRC. If differential input channels are used, then an additional initialization period  $t_{AINIT}$  is required by the gain amplifier. This period is configured by the Track-And-Hold Time bits, ADTHT1:0 in ADCSRC. ADSUT5:0 and ADTHT1:0 are fixed numbers of ADC clock cycles and can be setup for different ADC clock speeds.

The minimum required ADC start-up time is 20  $\mu$ s.

For a summary of start-up times and sequences see [Table 27-1](#) on page 447, [Table 27-2](#) on page 447, [Figure 27-4](#) on page 447 and [Figure 27-5](#) on page 447.

**Table 27-1. Start-Up Time, Single Ended Channels**

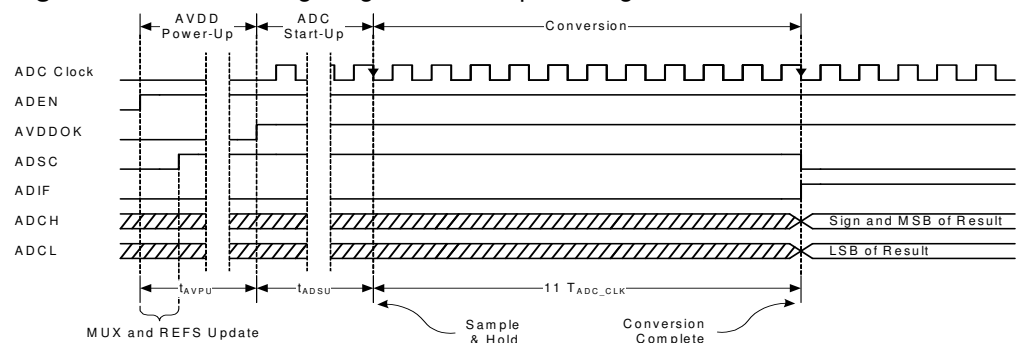
| Parameter                    | Duration in ADC Clock Cycles      |
|------------------------------|-----------------------------------|
| ADC Start-Up Time $t_{ADSU}$ | $4(ADSUT+1)$ , minimum 20 $\mu s$ |

**Table 27-2. Start-Up Time, Differential Channels**

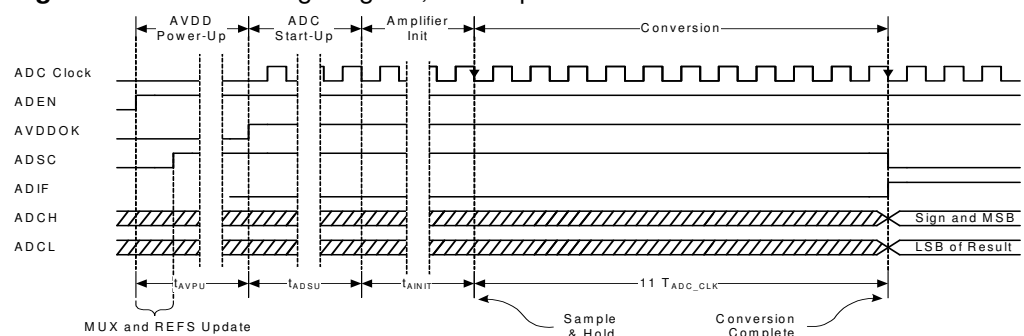
| Parameter  | Duration in ADC Clock Cycles      |
|--|-----------------------------------|
| ADC Start-Up Time $t_{ADSU}$                         | $4(ADSUT+1)$ , minimum 20 $\mu s$ |
| Gain Amplifier Initialization Time $t_{AINIT}^{(1)}$ | $2(ADTHT+3)$                      |

Note: 1. Time  $t_{AINIT}$  is  $2(ADTHT+2)$  for ATmega128RFA1.

**Figure 27-4. ADC Timing Diagram, Start-Up for Single Ended Channels**



**Figure 27-5. ADC Timing Diagram, Start-Up for Differential Channels**



All bits of register ADCSRC are single buffered (2) through a temporary register to which the CPU has random access. This ensures that start-up time and track-and-hold time changes only take place at a safe point during the conversion. This mechanism is identical to changing an ADC channel of reference voltage, see section ["Changing Channel or Reference Selection" on page 449](#) for details.

Note: 2. ADCSRC is not buffered in ATmega128RFA1. Therefore with these devices the start-up time and the track-and-hold time must not change while a conversion is in progress.

## 27.5.3 Conversion Timing

The delay from requesting a conversion start by setting the ADSC bit in ADCSRA to the moment where the sample-and-hold takes place is fixed. The same fixed delay also applies for auto triggered conversions. In this case three additional CPU clock cycles are used for the trigger event synchronization logic. The delay is different for single-

ended and differential channels. A summary is given in [Table 27-3](#) below. All conversions take 11 ADC clock cycles.

When a conversion is complete, the result is written to the ADC Data Registers, and ADIF is set. In Single Conversion mode, ADSC is cleared simultaneously. The software may then set ADSC again, and a new conversion will be initiated at the earliest after the following tracking phase. The tracking phase is required after each conversion. Its duration can be adjusted according to the ADC clock speed by the ADTHT bits in ADCSRC and is different for single-ended and differential channels. For details see [Table 27-4](#) below.

In Free Running mode, a new conversion will be started immediately after the tracking phase of the previous conversion while ADSC remains high. The calculation of the resulting sample rate is given in [Table 27-5](#) below.

For timing diagrams of single and auto triggered and free running conversions see [Figure 27-6](#) below to [Figure 27-8](#) on page 449.

**Table 27-3. Conversion Start Delay**

| Channel                     | Delay from Conversion Start Request to Sample & Hold $t_{SCSMP}$ |
|-----------------------------|--|
| Single-Ended <sup>(1)</sup> | 2 CPU clock cycles   |
| Differential                | 2 ADC clock cycles   |

Note: 1. The time  $t_{SCSMP}$  is between 0...4 CPU clock cycles depending on the ADPS configuration of register ADCSRA for the ATmega128RFA1

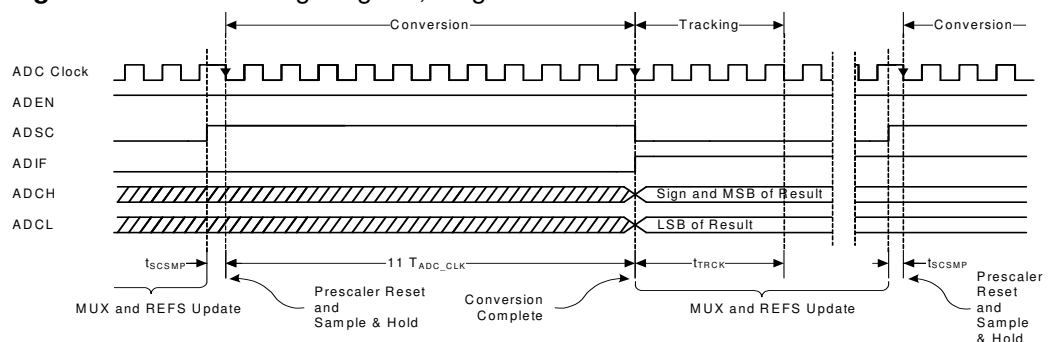
**Table 27-4. Tracking Time**

| Channel      | Tracking Phase Duration $t_{TRCK}$ in ADC Clock Cycles |
|--------------|--|
| Single-Ended | ADTHT+1, minimum 500 ns                                |
| Differential | 2ADTHT+3   |

**Table 27-5. Sample Rate in Free Running Mode**

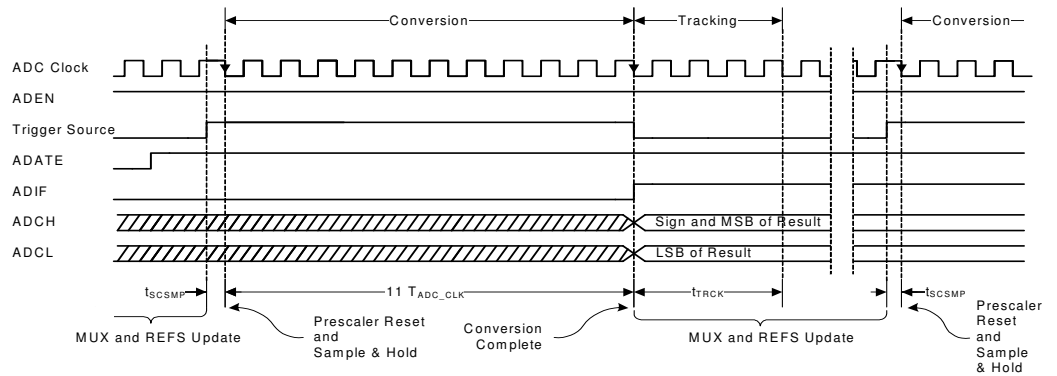
| Channel      | Sample Rate in ADC Clock Cycles |
|--------------|---------------------------------|
| Single-Ended | ADTHT+12                        |
| Differential | 2ADTHT+14                       |

**Figure 27-6. ADC Timing Diagram, Single Conversion**

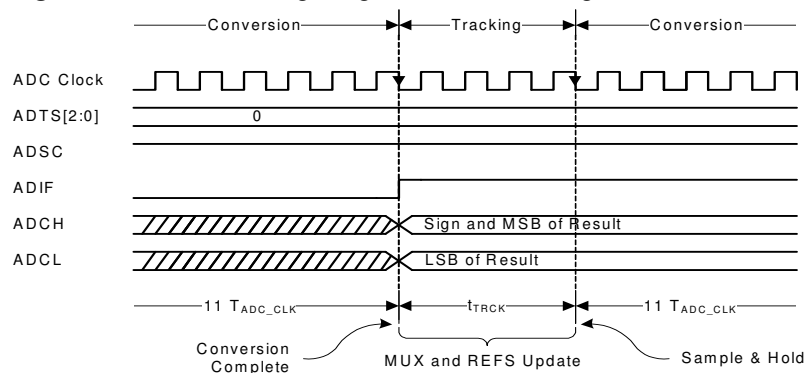




**Figure 27-7. ADC Timing Diagram, Auto Triggered Conversion**



**Figure 27-8. ADC Timing Diagram, Free Running Conversion**



## 27.6 Changing Channel or Reference Selection

The  $MUX_n$  and  $REFS_n$  bits in the ADMUX and ADCSRB Register are single buffered through a temporary register to which the CPU has random access. This ensures that the channels and reference selection only takes place at a safe point during the conversion. The channel and reference selection is continuously updated either during the AVDD power-up phase or until a conversion is started by setting ADSC. After this the channel and reference selection is locked to ensure a sufficient initialization and sampling time for the ADC. Continuous updating of the channel selection resumes after the conversion has completed (ADIF in ADCSRA is set).

If Auto Triggering is used, the exact time of the triggering event can be undetermined. Special care must be taken when updating the ADMUX Register, in order to control which conversion will be affected by the new settings.

If both ADATE and ADEN in the ADSCRA Register are written to one, an interrupt event can occur at any time. If the ADMUX Register is changed in this period, the user cannot tell if the next conversion is based on the old or the new settings. ADMUX can be safely updated in the following ways:

1. When ADATE or ADEN is cleared.
2. During a conversion
3. After a conversion, before the Interrupt Flag used as trigger source is cleared.

When updating ADMUX in one of these conditions, the new settings will affect the next A/D conversion.

After the channel or reference voltage selection is updated a settling time is required for the ADC and the gain amplifier or the reference voltage to stabilize. When changing the channel selection while the ADC is enabled the required settling phase is automatically inserted by the ADC interface, see section "ADC Input Channels" below. For consideration on changing the reference voltage selection please refer to section "ADC Voltage Reference" on page 451.

## 27.6.1 Accessing the ADMUX Register

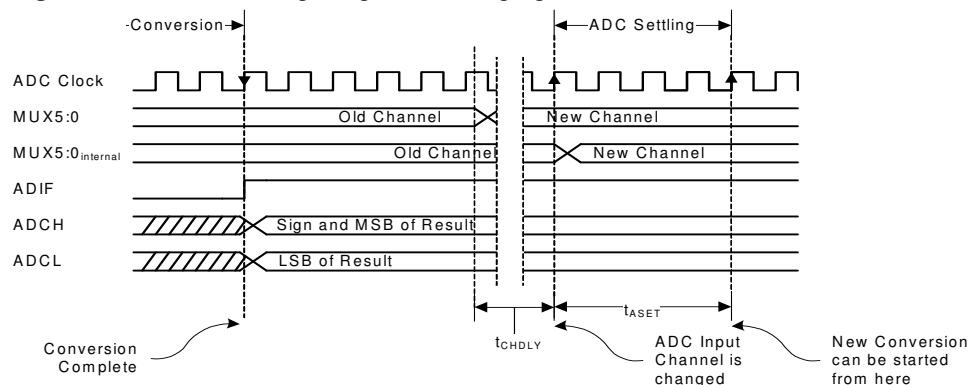
The channel selection bits MUX4:0 and MUX5 are located in two different register, the ADMUX and the ADCSR register. To ensure that changes go only into effect after both register have been changed they are internally buffered (see Figure 27-9 below and Figure 27-10 on page 451). The MUX5 bit has to be written first followed by a write access to the MUX4:0 bits which triggers the update of the internal buffer. If only the MUX4:0 bits need to be modified then a write access to the MUX4:0 bits is sufficient.

## 27.6.2 ADC Input Channels

The ADC input channels can be changed while the ADC is running under the condition that the previous channel was a single-ended one. Changing between differential channels however requires that the ADC is disabled and enabled again to make the ADC go through the initial start-up phase.

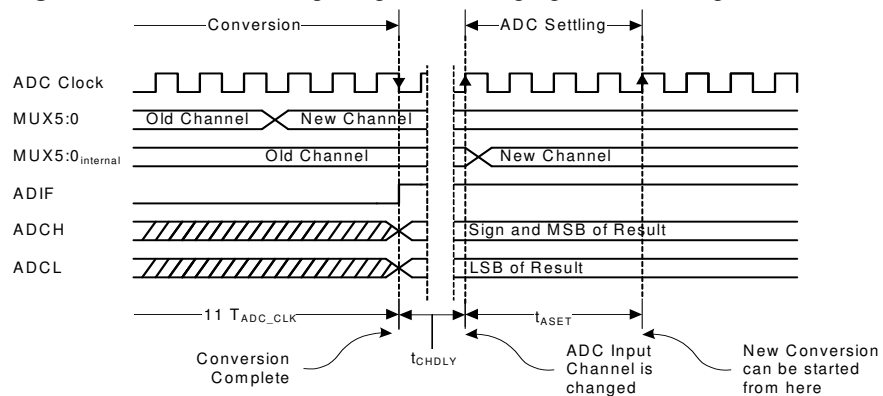
If changing from single-ended to single-ended or from single-ended to differential input channels a settling phase is automatically inserted by the ADC interface logic after the input channel is modified. The settling phase is required by the ADC and the gain amplifier to stabilize. If a conversions start is requested during this settling phase, by setting ADSC or by a trigger event in Auto Triggered mode then the conversion is started only after the settling phase has completed.

**Figure 27-9.** ADC Timing Diagram, Changing MUX $n$  after a Conversion



In case the MUX $n$  bits are altered during an ongoing conversion, the ADC input channel is changed after the conversion has completed. MUX $n$  changes occurring during the tracking phase, which follows a conversion, will stop the tracking phase and the ADC settling phase will be entered.

**Figure 27-10. ADC Timing Diagram, Changing MUX<sub>n</sub> during a Conversion**



In Free Running mode MUX<sub>n</sub> can also be modified. In this case the ADC input channel is changed after the conversion end or from the subsequent tracking phase. As a consequence the time from one conversion to the next is extended by the duration of the ADC settling phase.

The ADC settling time  $t_{ASET}$  depends on the previous and the new channel and on the configuration of the ADSUT and ADTHT bits as shown in Table 27-6 below. Additionally a synchronization delay  $t_{CHDLY}$  from 0.5 to 2 ADC Clock cycles is required between changing the ADC input channel selection and the beginning of the settling phase. For details see the timing diagrams Figure 27-9 on page 450 and Figure 27-10 above.

If the analog input signal encounters large variations it can be useful to manually reset the ADC and the gain amplifier before starting a new conversion. To achieve this, the settling phase can be forced without modifying MUX<sub>n</sub> by writing a logic one to the Analog Channel Change bit ACCH in ADCSRB<sup>(2)</sup>.

**Table 27-6. Settling Time after Channel Changes**

| Channel Transition             | Settling Time $t_{ASET}$ in ADC Clock Cycles |
|--------------------------------|--|
| To Single-Ended                | ADTHT+2                                      |
| To Differential <sup>(1)</sup> | 4(ADSUT+1) + 2(ADTHT+2)                      |

- Note:
1. Not allowed for ATmegaRF128RFA1 - changing to/between differential channels requires the ADC to be disabled and enabled again.
  2. The function of the ACCH bit is not available for ATmegaRF128RFA1.

### 27.6.3 ADC Voltage Reference

The reference voltage for the ADC ( $V_{REF}$ ) indicates the conversion range for the ADC. Single ended channels that exceed  $V_{REF}$  will result 0x3FF.  $V_{REF}$  can be selected by the REFS<sub>n</sub> bits in the ADMUX register as either AVDD (1.8V), internal 1.5V or 1.6V reference or an external voltage at the AREF pin.

AVDD is connected to the ADC through a passive switch. The internal 1.5V and 1.6V references are generated from a bandgap reference (VBG) through an amplifier. In either case, the external AREF pin is directly connected to the ADC and the reference voltage can be measured at the AREF pin with a high impedance voltmeter. When using the internal 1.5V or 1.6V references no external de-coupling capacitor must be connected to AREF. High capacitive loading will de-stabilize the internal voltage amplifier. The 1.6V reference voltage is calibrated to an absolute accuracy of 1 LSB during the manufacturing process.

If the user has a fixed voltage source connected to the AREF pin, the user may not use the other reference voltage options in the application, as they will be shorted to the external voltage. An external reference voltage must be supplied with a very low impedance  $R_{\text{AREF,EXT}}$  (see "ADC Characteristics" on page 558). The load current  $I_{\text{L,AREF}}$  (see "ADC Characteristics" on page 558) seen by the external source is code dependent and changes (current steps) in the course of the successive approximation process. If no external voltage is applied to the AREF pin, the user may switch between AVDD, 1.5V and 1.6V as reference selection. For internal references a stable voltage is indicated by the REFOK bit in ADCSRB.

Changes of the reference selection bits REFS $n$  will take effect until a conversion start is requested by setting ADSC in ADCSRA. After the reference voltage selection is updated a settling time is required for the reference voltage to stabilize. This settling phase is automatically inserted by the ADC interface when changing the reference selection while the ADC is enabled.

- Notes:
1. The ADC has to be disabled and enabled again for new reference selections in ATmegaRF128RFA1.
  2. Changing the reference voltage in Free Running mode will abort Free Running mode. The newly selected reference voltage is available after the automatically inserted settling phase, yet no new conversion will be started.

## 27.7 ADC Noise Canceller

The ADC features a noise canceller that enables conversion during sleep mode to reduce noise induced from the CPU core and other I/O peripherals. The noise canceller can be used with ADC Noise Reduction and Idle mode. To make use of this feature, the following procedure should be used:

1. Make sure that the ADC is enabled and is not busy converting. Single Conversion mode must be selected and the ADC Conversion Complete interrupt must be enabled.
2. Enter ADC Noise Reduction mode (or Idle mode). The ADC will start a conversion once the CPU has been halted.
3. If no other interrupts occur before the A/D conversion completes, the ADC interrupt will wake up the CPU and execute the ADC Conversion Complete interrupt routine. If another interrupt wakes up the CPU before the A/D conversion is complete, that interrupt will be executed, and an ADC Conversion Complete interrupt request will be generated when the A/D conversion completes. The CPU will remain in active mode until a new sleep command is executed.

Note that the ADC will not be automatically turned off when entering other sleep modes than Idle mode and ADC Noise Reduction mode. The user is advised to write zero to ADEN before entering such sleep modes to avoid excessive power consumption.

### 27.7.1 Analog Input Circuitry

The analog input circuitry for single ended channels is illustrated in [Figure 27-11](#) on page 453. An analog source applied to ADC $n$  is subjected to the pin capacitance and input leakage of that pin, regardless of whether that channel is selected as input for the ADC. When the channel is selected, the source must drive the S/H capacitor through the series resistance (combined resistance in the input path).

The ADC is optimized for analog signals having output impedance  $Z_{\text{OUT}}$  of approximately 3 k $\Omega$  or less. If such a source is used, the sampling time will be negligible. If a source with higher impedance is used, the correct sampling time will

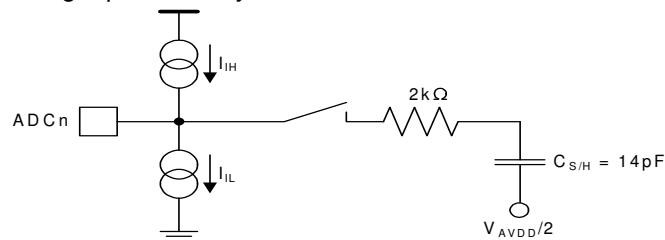
depend on how much time is needed to charge the S/H capacitor, which can vary widely. The user is recommended to only use low impedance sources with slowly varying signals, since this minimizes the required charge transfer to the S/H capacitor. The required tracking time (input sampling switch closed)  $t_{DTRCK}$  to settle to within 1 LSB can be estimated to

$$t_{DTRCK} = (Z_{OUT} / k\Omega + 2000) \cdot 0.097ns$$

for  $Z_{OUT} > 3k\Omega$  (worst case: maximum input step). A minimum tracking time of 500ns is guaranteed by the conversion logic. Based on the ADC clock frequency the bits ADTHT[1:0] of register ADCSRC allow the adjustment of the tracking time to the user's requirements.

Tracking time requirements should also be considered for the differential mode. The input signal is sampled by the gain amplifier. The value of the input capacitance  $C_{S/H}$  depends on the selected gain ( $\sim 7pF$  for 200x gain,  $< 1pF$  otherwise). The tracking is equal to 50% of the clock period of  $CK_{ADC2}$ . Hence in differential mode a slower clock frequency is required for input sources with high impedance.

**Figure 27-11. Analog Input Circuitry**



Signal components higher than the Nyquist frequency ( $f_{ADC}/2$ ) should not be present for either kind of channels, to avoid distortion from unpredictable signal convolution. The user is advised to remove high frequency components with a low-pass filter before applying the signals as inputs to the ADC.

## 27.7.2 Analog Noise Canceling Techniques

Digital circuitry inside and outside the device generates EMI which might affect the accuracy of analog measurements. If conversion accuracy is critical, the noise level can be reduced by applying the following techniques:

1. Keep analog signal paths as short as possible. Make sure analog tracks run over the ground plane, and keep them well away from high-speed switching digital tracks.
2. Use the ADC noise canceller function to reduce induced noise from the CPU.
3. If any ADC port pins are used as digital outputs, it is essential that these do not switch while a conversion is in progress.

## 27.7.3 Offset Compensation Schemes

The differential amplifier has a built-in offset cancellation circuitry that nulls the offset of differential measurements as much as possible. The remaining offset in the analog path can be measured directly by selecting the same channel for both differential inputs. This offset residue can then be subtracted in software from the measurement results. The offset on any channel can be reduced below one LSB using this kind of software based offset correction.

## 27.7.4 Differential Amplifier Limitations

The programmable gain, differential amplifier (PGA) converts a differential input voltage to a single-ended output voltage that is further processed with the 10 bit ADC. The performance of the PGA is determined by the physical properties of its operational amplifier:

- The noise of PGA adds to the random error of the ADC conversation result. However the PGA noise enables the application of oversampling techniques to recover or even increase the ADC resolution.
- The gain of the PGA falls if the output voltage of the operational amplifier approaches the supply rails (AVSS) resulting in an increased non-linearity. Hence for reasonable INL and DNL performance the input voltage range must be limited.

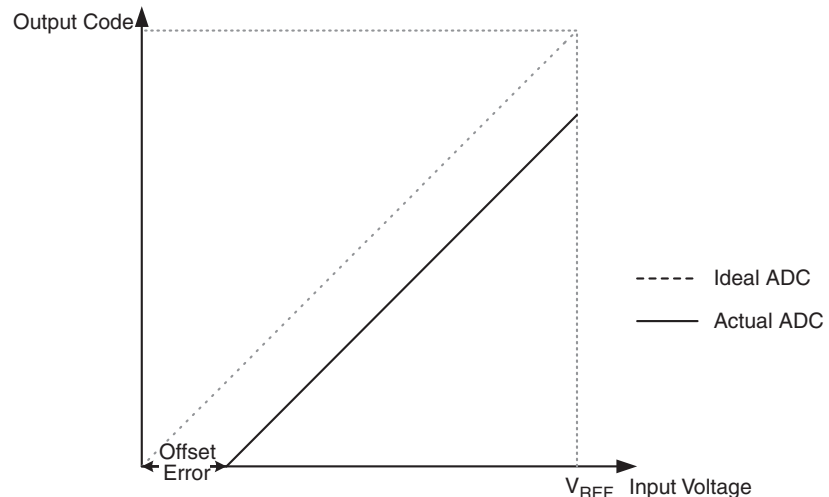
## 27.7.5 ADC Accuracy Definitions

An n-bit single-ended ADC converts a voltage linearly between 0V and  $V_{REF}$  in  $2^n$  steps (LSB's). The lowest code is read as 0, and the highest code is read as  $2^n-1$ .

Several parameters describe the deviation from the ideal behavior:

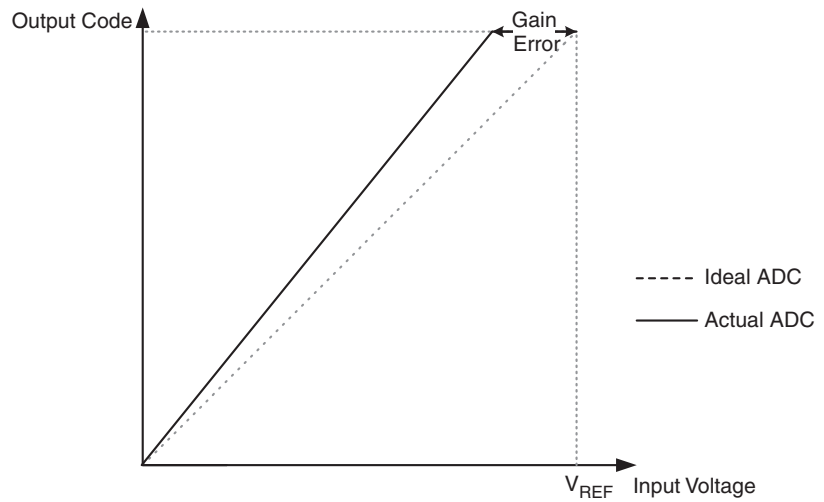
- Offset: The deviation of the first transition (0x000 to 0x001) compared to the ideal transition (at 0.5 LSB). Ideal value: 0 LSB.

**Figure 27-12.** Offset Error



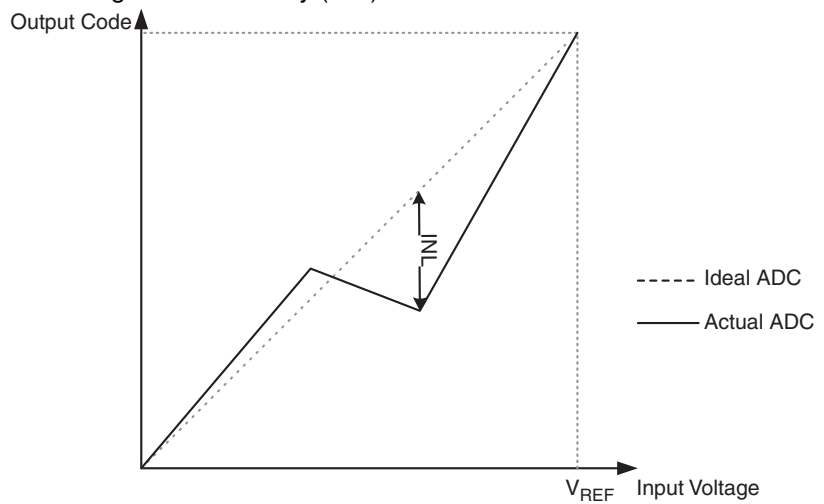
- Gain Error: After adjusting for offset, the Gain Error is found as the deviation of the last transition (0x3FE to 0x3FF) compared to the ideal transition (at 1.5 LSB below maximum). Ideal value: 0 LSB.

**Figure 27-13. Gain Error**



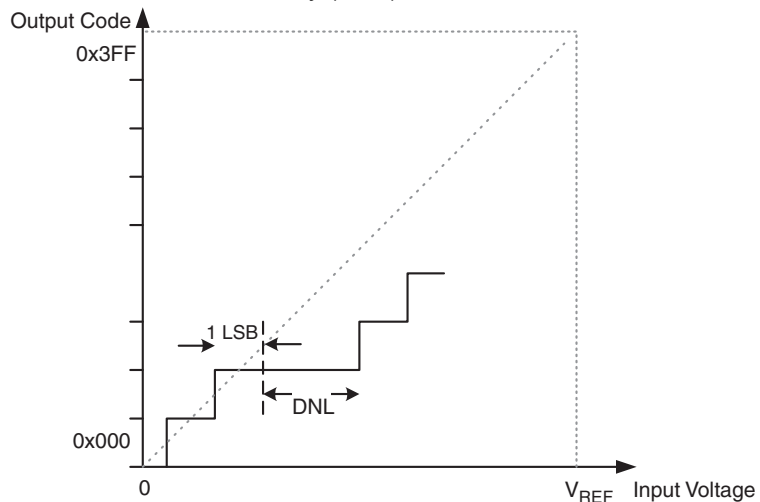
- Integral Non-linearity (INL): After adjusting for offset and gain error, the INL is the maximum deviation of an actual transition compared to an ideal transition for any code. Ideal value: 0 LSB.

**Figure 27-14. Integral Non-linearity (INL)**



- Differential Non-linearity (DNL): The maximum deviation of the actual code width (the interval between two adjacent transitions) from the ideal code width (1 LSB). Ideal value: 0 LSB.

**Figure 27-15. Differential Non-linearity (DNL)**



- **Quantization Error:** Due to the quantization of the input voltage into a finite number of codes, a range of input voltages (1 LSB wide) will code to the same value. It is always  $\pm 0.5$  LSB.
- **Absolute Accuracy:** The maximum deviation of an actual (unadjusted) transition compared to an ideal transition for any code. This is the compound effect of offset, gain error, differential error, non-linearity, and quantization error. Ideal value:  $\pm 0.5$  LSB.

## 27.8 ADC Conversion Result

After the conversion is complete (ADIF is high), the conversion result can be found in the ADC Result Registers (ADCL, ADCH).

For single ended conversion, the result is

$$ADC = \frac{V_{IN} \cdot 1024}{V_{REF}}$$

where  $V_{IN}$  is the voltage on the selected input pin and  $V_{REF}$  the selected voltage reference (see "Table 27-11" on page 462 and "Table 27-12" on page 463). 0x000 represents analog ground, and 0x3FF represents the selected reference voltage minus one LSB.

If differential channels are used, the result is

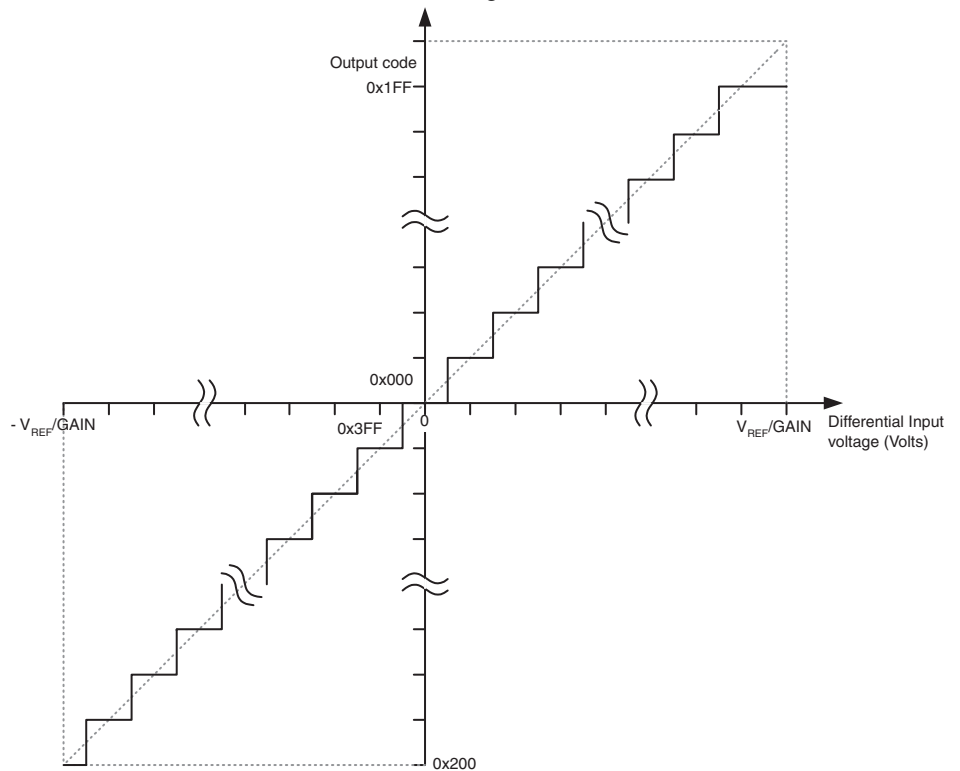
$$ADC = \frac{(V_{POS} - V_{NEG}) \cdot GAIN \cdot 512}{V_{REF}}$$

where  $V_{POS}$  is the voltage on the positive input pin,  $V_{NEG}$  the voltage on the negative input pin, and  $V_{REF}$  the selected voltage reference. The result is presented in two's complement form, from 0x200 (-512d) through 0x1FF (+511d). Note that if the user wants to perform a quick polarity check of the result, it is sufficient to read the MSB of the result (ADC9 in ADCH). If the bit is one, the result is negative, and if this bit is zero, the result is positive. Figure 27-16 on page 457 shows the decoding of the differential input range.

Table 27-7 below shows the resulting output codes if the differential input channel pair (ADCn - ADCm) is selected with a gain of GAIN and a reference voltage of  $V_{REF}$ .



**Figure 27-16. Differential Measurement Range**



**Table 27-7. Correlation Between Input Voltage and Output Codes**

| V <sub>ADCn</sub>                                 | Read Code | Corresponding Decimal Value |
|---|-----------|-----------------------------|
| V <sub>ADCm</sub> + V <sub>REF</sub> / GAIN       | 0x1FF     | 511                         |
| V <sub>ADCm</sub> + 0.999 V <sub>REF</sub> / GAIN | 0x1FF     | 511                         |
| V <sub>ADCm</sub> + 0.998 V <sub>REF</sub> / GAIN | 0x1FE     | 510                         |
| ...   | ...       | ...                         |
| V <sub>ADCm</sub> + 0.001 V <sub>REF</sub> / GAIN | 0x001     | 1                           |
| V <sub>ADCm</sub>                                 | 0x000     | 0                           |
| V <sub>ADCm</sub> - 0.001 V <sub>REF</sub> / GAIN | 0x3FF     | -1                          |
| ...   | ...       | ...                         |
| V <sub>ADCm</sub> - 0.999 V <sub>REF</sub> / GAIN | 0x201     | -511                        |
| V <sub>ADCm</sub> - V <sub>REF</sub> / GAIN       | 0x200     | -512                        |

Example:

ADMUX = 0xED (ADC3 - ADC2, 10x gain, 1.6V reference, left adjusted result)

The voltage on ADC3 is 300 mV; the voltage on ADC2 is 425 mV.

ADCR = 512 \* 10 \* (300 - 425) / 1600 = -400 = 0x270.

ADCL will thus read 0x00, and ADCH will read 0x9C. Writing zero to ADLAR right adjusts the result: ADCL = 0x70, ADCH = 0x02.

## 27.9 Internal Temperature Measurement

The on-chip temperature can be measured using a special setup of the A/D converter inputs. The integrated temperature sensor provides a linear, medium-accurate voltage proportional to the absolute temperature (in Kelvin). This voltage is first amplified with the programmable gain amplifier and then processed with the A/D converter. A low frequency of the conversion clock must be selected due to the nature of the input signal.

The absolute accuracy of the temperature measurement is limited by manufacturing tolerances, noise from supply and ground voltages and the exactness of the reference voltage. One time calibration at room temperature can easily compensate this distribution.

The resolution of the temperature reading can be improved (<1K) by averaging (using float numbers) or decimation (based on integer numbers) of multiple A/D conversion results. In this way the impact of noise is reduced (see measurement results "Temperature Sensor" on page 585 and "Differential Amplifier Limitations" on page 454).

The following table summarizes the preferred setup of the temperature measurement:

**Table 27-8. Recommended ADC Setup for Temperature Measurement**

| Parameter        | Register      | Recommended Setup  |
|------------------|---------------|--|
| ADC Channel      | ADMUX, ADCSRB | Select the Temperature Sensor, MUX4:0 = 01001; MUX5 = 1; |
| ADC Clock        | ADCSRA        | Select a clock frequency of 500 kHz or lower;            |
| V <sub>REF</sub> | ADMUX         | Select the internal 1.6V reference voltage;              |
| Start-up time    | ADCSRC        | Standard requirement of 20 μs is sufficient;             |
| Tracking time    | ADCSRC        | Setting ADTHT = 0 is sufficient;                         |

### Assembly Code Example<sup>(1)</sup>

```

...
    ldi r17, (1<<ADEN)+(4<<ADPS0) ; enable the ADC, prescaler = 16
    sts ADCSRA, temp
wait_avdd_ok:                                ; wait for AVDD to come up
    lds r17, ADCSRB
    sbrs r17, AVDDOK
    rjmp wait_avdd_ok
    ; set start-up time to 80us (500kHz ADC clock)
    ldi r17, 10<<ADSUT0
    sts ADCSRC, temp
    ldi r17, 1<<MUX5
    sts ADCSRB, temp ; set MUX5 before MUX4:1
    ; 1.6V reference voltage + temperature sensor channel
    ldi r17, (3<<REFS0)+(9<<MUX0)
    sts ADMUX, temp
wait_vref_ok:
    lds r17, ADCSRB ; wait for reference voltage
    sbrs r17, REFOK
    rjmp wait_vref_ok

```

```

    ldi run_cmd, (1<<ADEN)+(1<<ADSC)+(4<<ADPS0)
run_conversion:
    sts ADCSRA, run_cmd
wait_adsc:
    lds r17, ADCSRA
    sbrc r17, ADSC          ; flag cleared at conversion complete
    rjmp wait_adsc
    lds r18, ADCL          ; measured temperature in ADCL and ADCH
    lds r19, ADCH
    ...

```

The above Assembly code example enables the temperature measurement step by step. Waiting for *AVDDOK* and *REFOK* is optional. The conversion will not start before the two bits are set. The wait time can be extended if necessary or choose a longer start-up time. An 8 MHz CPU clock is assumed.

### C Code Example<sup>(1)</sup>

```

uint16_t adc_meastemp (void)
{
    ADCSRC = 10<<ADSUT0;          // set start-up time
    ADCSRB = 1<<MUX5;            // set MUX5 first
    ADMUX = (3<<REFS0) + (9<<MUX0); // store new ADMUX, 1.6V AREF
    // switch ADC on, set prescaler, start conversion
    ADCSRA = (1<<ADEN) + (1<<ADSC) + (4<<ADPS0);
    do
    {} while( (ADCSRA & (1<<ADSC))); // wait for conversion end
    ADCSRA = 0;                  // disable the ADC
    return (ADC);
}

```

Notes: 1. See section ["About Code Examples" on page 8](#).

The C Code Example fully relies on the integrated start-up mechanism of the A/D converter. The accuracy can be increased by averaging and/or oversampling. In addition a dummy conversion can be inserted before the first temperature measurement is assessed.

The A/D conversion result  $ADC_{TEMP}$  will always be a positive number. The ideal result can be calculated when using the internal 1.6V reference voltage according to the following equation:

$$ADC_{TEMP} = 241.4 + 0.885 \cdot \theta / ^\circ C$$

Similar the Celsius-temperature  $\theta$  can be extracted from the A/D conversion result with this formula:

$$\theta / ^\circ C = 1.13 \cdot ADC_{TEMP} - 272.8$$

Note that the above equations are only valid in the allowed operating temperature range. The translation of the A/D measurement result to a Celsius-temperature value can be easily achieved with a look-up table in software. The temperature sensor is

connected to a differential input channel with a gain of 10. The voltage offset error of the differential signal processing can be corrected to the first order by using an appropriate similar channel (e.g. MUX4:0=01000, MUX5=0, see [Table 27-12 on page 463](#)). The ADC result of this channel is then subtracted from the ADC result of the temperature sensor. Offset errors are typically only +1 bit (ADC = 0x001) or -1 bit (ADC = 0x3ff).

- Note:
1. For the ATmega128RFA1 changing between the temperature sensor channel and the channel for the offset error correction requires to disable the ADC, select the new channel and then enable the ADC again, or to discard the first conversion result from the new input channel.

## 27.10 SRAM DRT Voltage Measurement

The decrease of the supply voltage of SRAM block 2 for the leakage current reduction can also be measured using a special setup of the A/D converter inputs. The details of the SRAM leakage current reduction are described in section ["SRAM with Data Retention" on page 191](#). The supply voltage of a disabled SRAM block can be reduced to save leakage power while maintaining data retention. This feature applies to all four SRAM blocks however only the voltage of SRAM block 2 can be verified using the A/D converter.

The default factory setting for the data retention (DRT) voltage normally guarantees the best leakage performances. Other values are nevertheless possible and can be selected by the application software. The true value of the supply voltage reduction is depending on the manufacturing process and environmental conditions like temperature. The A/D converter allows determining the value of the DRT voltage of SRAM block 2. The same voltage setting results for all practical purposes in the same supply voltage for all other SRAM blocks.

Care must be taken when verifying the DRT voltage of SRAM block 2 with the A/D converter because it will be put into sleep mode and hence it is not available for the application program. Addressing the disabled SRAM will return invalid data (all data read zero). The voltage measurement is split into two parts. One setting allows measuring the voltage drop from DVDD. The other setting allows verifying the voltage shift from DVSS. Both measurements are differential and use the programmable gain amplifier. A low frequency of the conversion clock must be selected due to the high-impedance nature of the input signal. Accurate and stable voltage readings may just be available after a long waiting time of up to 100 ms. This limitation is the consequence of the small leakage currents that discharge the internal de-coupling capacitances before the supply voltage settles to the DRT value. The following table summarizes the preferred setup of the DRT voltage measurement:

**Table 27-9. Recommended ADC Setup for DRT Voltage Measurements**

| Parameter     | Register         | Recommended Setup   |
|---------------|------------------|---|
| SRAM DRT on   | DRTRAM2          | Set bits DISPC and ENDRT to 1;  |
| ADC Channel   | ADMUX,<br>ADCSRB | Select MUX4:0 = 10100 to measure $V_{DRTBBP}$ ;<br>Select MUX4:0 = 11101 to measure $V_{DRTBBN}$ ;<br>MUX5 = 1; |
| ADC Clock     | ADCSRA           | Select a clock frequency of 500kHz or lower;  |
| $V_{REF}$     | ADMUX            | Select the internal 1.6V reference voltage;   |
| Start-up time | ADCSRC           | Standard requirement of 20 $\mu$ s is sufficient;   |
| Tracking time | ADCSRC           | Setting ADTHT = 0 is sufficient;  |

The A/D conversion result will always be a positive number for both  $V_{DRTBBP}$  and  $V_{DRTBBN}$ . The SRAM supply voltage is easily calculated according to the following equation (see chapter "SRAM with Data Retention" on page 191):

$$V_{DD,SRAM,DRT} = V_{DD} - (V_{DRTBBP} + V_{DRTBBN})$$

The conversion result is coded as described in "ADC Conversion Result" on page 456 with a GAIN of 0.5. It is not possible to read both  $V_{DRTBBP}$  and  $V_{DRTBBN}$  at the same time. However the time required for the A/D conversion is short compared to the time constant of a DRT voltage change.

## 27.11 EVDD Voltage Measurement

A dedicated, internal, single-ended input channel is available <sup>(1)</sup> to measure the EVDD supply voltage directly with the A/D converter. This feature is a supplement to observing EVDD with the battery monitor (see "Battery Monitor (BATMON)" on page 85).

The EVDD supply voltage is internally divided by three with a resistor. The typical, total resistor value is 120 kΩ. Hence when activating the EVDD measurement channel, EVDD is loaded with an additional current. Deselect the EVDD measurement channel after completion of the A/D conversion. It is important to allow a sufficient high tracking time for full settling of the ADC input voltage due to the attached RC time constant of this input channel. The following table summarizes the preferred setup of the EVDD voltage measurement:

**Table 27-10.** Recommended ADC Setup for EVDD Voltage Measurements

| Parameter     | Register      | Recommended Setup  |
|---------------|---------------|--|
| ADC Channel   | ADMUX, ADCSRB | Select MUX4:0 = 00110 to measure $V_{DRTBBP}$ ; MUX5 = 1;  |
| ADC Clock     | ADCSRA        | Select a clock frequency of 1 MHz or lower;                |
| $V_{REF}$     | ADMUX         | Select the internal 1.6V reference voltage;                |
| Start-up time | ADCSRC        | Standard requirement of 20 μs is sufficient;               |
| Tracking time | ADCSRC        | Value depends on ADC Clock, a minimum of 4 μs is required; |

The A/D conversion result  $ADC_{EVDD}$  will always be a positive number (single-ended conversion). The input voltage  $V_{IN}$  of the converter is easily derived by:

$$V_{IN} = 1/3 V_{EVDD}$$

Refer to section "ADC Conversion Result" on page 456 for details about deriving A/D conversion result.

ADC and Analog Comparator share the same Analog Multiplexer. It allows routing the divided voltage to the negative input of the Analog Comparator if the Analog Comparator Multiplexer Enable bit (ACME in ADCSRB) is set.

## 27.12 Register Description

### 27.12.1 ADMUX – ADC Multiplexer Selection Register

|               |              |              |              |             |             |             |             |             |              |
|---------------|--------------|--------------|--------------|-------------|-------------|-------------|-------------|-------------|--------------|
| Bit           | 7            | 6            | 5            | 4           | 3           | 2           | 1           | 0           |              |
| NA (\$7C)     | <b>REFS1</b> | <b>REFS0</b> | <b>ADLAR</b> | <b>MUX4</b> | <b>MUX3</b> | <b>MUX2</b> | <b>MUX1</b> | <b>MUX0</b> | <b>ADMUX</b> |
| Read/Write    | RW           | RW           | RW           | RW          | RW          | RW          | RW          | RW          |              |
| Initial Value | 0            | 0            | 0            | 0           | 0           | 0           | 0           | 0           |              |

- **Bit 7:6 – REFS1:0: Reference Selection Bits**

These bits select the voltage reference for the ADC, as shown in the following table. Changes of these bits will take effect until a conversion start is requested by setting ADSC. The internal voltage reference options may not be used if an external reference voltage is being applied to the AREF pin.

**Table 27-11.** Reference Voltage Selections for ADC

| REFS1 | REFS0 | Reference Voltage Selection   |
|-------|-------|---|
| 0     | 0     | AREF, Internal $V_{REF}$ turned off                                 |
| 0     | 1     | AVDD (1.8V)   |
| 1     | 0     | Internal 1.5V Voltage Reference (no external capacitor at AREF pin) |
| 1     | 1     | Internal 1.6V Voltage Reference (no external capacitor at AREF pin) |

Note: 1. ATmega128RFA1: Changes of the REFS bits will only take effect until the first conversion start is requested. After this the ADC has to be disabled and enabled again for new reference selections.

- **Bit 5 – ADLAR: ADC Left Adjust Result**

The ADLAR bit affects the presentation of the A/D conversion result in the ADC Data Register. Write one to ADLAR to left adjust the result. Otherwise, the result is right adjusted. Changing the ADLAR bit will affect the ADC Data Register immediately, regardless of any ongoing conversions. For a complete description of this bit, see ["ADCL and ADCH – The ADC Data Register" on page 467](#).

- **Bits 4:0 – MUX4:0: Analog Channel and Gain Selection Bits**

The value of these bits selects which combination of analog inputs is connected to the ADC. See [Table 27-12 on page 463](#) for details. If these bits are changed during a conversion, the change will not go in effect until this conversion is complete (ADIF in ADCSRA is set). Note that the MUX5 bit is located in the ADCSRB register. A write access to the MUX4:0 bits triggers the update of the internally buffered MUX5 bit, see ["Accessing the ADMUX Register" on page 450](#).

### 27.12.2 ADCSRB – ADC Control and Status Register B

|               |               |             |              |             |             |              |              |              |               |
|---------------|---------------|-------------|--------------|-------------|-------------|--------------|--------------|--------------|---------------|
| Bit           | 7             | 6           | 5            | 4           | 3           | 2            | 1            | 0            |               |
| NA (\$7B)     | <b>AVDDOK</b> | <b>ACME</b> | <b>REFOK</b> | <b>ACCH</b> | <b>MUX5</b> | <b>ADTS2</b> | <b>ADTS1</b> | <b>ADTS0</b> | <b>ADCSRB</b> |
| Read/Write    | R             | R/W         | R            | R/W         | R/W         | R/W          | R/W          | R/W          |               |
| Initial Value | 0             | 0           | 0            | 0           | 0           | 0            | 0            | 0            |               |

- **Bit 7 – AVDDOK: AVDD Supply Voltage OK**

The analog functions of the ADC are powered from the AVDD domain. AVDD is supplied from an internal voltage regulator. Setting the ADEN bit in register ADCSRA will power-up the AVDD domain if not already requested by another functional group of the device. The bit allows the user to monitor (poll) the status of the AVDD domain. A status of 1 indicates that AVDD has been powered-up.

- **Bit 6 – ACME: Analog Comparator Multiplexer Enable**

This bit is used for the Analog Comparator only. See "[ADCSRB – ADC Control and Status Register B](#)" on page 440 for details.

- **Bit 5 – REFOK: Reference Voltage OK**

The status of the internal generated reference voltage can be monitored through this bit. Setting the ADEN bit in register ADCSRA will enable the reference voltage for the ADC according to the REFS<sub>n</sub> bits in the ADMUX register. The reference voltage will be available after a start-up delay. A REFOK value of 1 indicates that the internal generated reference voltage is approaching final levels.

- **Bit 4 – ACCH: Analog Channel Change**

The user can force a reset of the analog blocks by setting this bit to 1 without requesting a different channel. The analog blocks of the ADC will be reset to handle possible new voltage ranges. Such a reset phase is especially important for the gain amplifier. It could be temporarily disabled by a large step of its input common voltage leading to erroneous A/D conversion results. ACCH will read as one until the reset phase of the analog blocks can be entered.

- **Bit 3 – MUX5: Analog Channel and Gain Selection Bit**

This bit is used together with MUX4:0 in ADMUX to select the analog input signals connected to the ADC. See the following table for details. If this bit is changed during a conversion, the change will not go in effect until this conversion is complete. Note that the MUX5 bit is internally buffered and a write access to the MUX4:0 bits is required to trigger the update of the MUX5 bit, see "[Accessing the ADMUX Register](#)" on page 450 .

**Table 27-12.** Input Channel Selections

| MUX5:0 | Single Ended Input | Positive Differential Input | Negative Differential Input | Gain |
|--------|--------------------|-----------------------------|-----------------------------|------|
| 000000 | ADC0               | N/A                         | N/A                         | N/A  |
| 000001 | ADC1               |                             |                             |      |
| 000010 | ADC2               |                             |                             |      |
| 000011 | ADC3               |                             |                             |      |
| 000100 | ADC4               |                             |                             |      |
| 000101 | ADC5               |                             |                             |      |
| 000110 | ADC6               |                             |                             |      |
| 000111 | ADC7               |                             |                             |      |
| 001000 | N/A                | ADC0                        | ADC0                        | 10x  |
| 001001 |                    | ADC1                        | ADC0                        | 10x  |
| 001010 |                    | ADC0                        | ADC0                        | 200x |
| 001011 |                    | ADC1                        | ADC0                        | 200x |
| 001100 |                    | ADC2                        | ADC2                        | 10x  |
| 001101 |                    | ADC3                        | ADC2                        | 10x  |
| 001110 |                    | ADC2                        | ADC2                        | 200x |
| 001111 |                    | ADC3                        | ADC2                        | 200x |
| 010000 | N/A                | ADC0                        | ADC1                        | 1x   |
| 010001 |                    | ADC1                        | ADC1                        | 1x   |
| 010010 |                    | ADC2                        | ADC1                        | 1x   |
| 010011 |                    | ADC3                        | ADC1                        | 1x   |

| MUX5:0 | Single Ended Input      | Positive Differential Input                | Negative Differential Input                | Gain |
|--------|-------------------------|--|--|------|
| 010100 |                         | ADC4                                       | ADC1                                       | 1x   |
| 010101 |                         | ADC5                                       | ADC1                                       | 1x   |
| 010110 |                         | ADC6                                       | ADC1                                       | 1x   |
| 010111 |                         | ADC7                                       | ADC1                                       | 1x   |
| 011000 | N/A                     | ADC0                                       | ADC2                                       | 1x   |
| 011001 |                         | ADC1                                       | ADC2                                       | 1x   |
| 011010 |                         | ADC2                                       | ADC2                                       | 1x   |
| 011011 |                         | ADC3                                       | ADC2                                       | 1x   |
| 011100 |                         | ADC4                                       | ADC2                                       | 1x   |
| 011101 |                         | ADC5                                       | ADC2                                       | 1x   |
| 011110 | 1.2V (V <sub>BG</sub> ) | N/A  |  |      |
| 011111 | 0V (AVSS)               |  |  |      |
| 100000 | Reserved                | N/A  |  |      |
| 100001 | Reserved                |  |  |      |
| 100010 | Reserved                |  |  |      |
| 100011 | Reserved                |  |  |      |
| 100100 | Reserved                |  |  |      |
| 100101 | Reserved                |  |  |      |
| 100110 | EVDD <sup>(1)</sup>     |  |  |      |
| 100111 | Reserved                |  |  |      |
| 101000 | N/A                     |  |  |      |
| 101001 |                         | Temperature Sensor                         | Temperature Sensor                         |      |
| 101010 |                         | Reserved                                   | Reserved                                   |      |
| 101011 |                         | Reserved                                   | Reserved                                   |      |
| 101100 |                         | Reserved                                   | Reserved                                   |      |
| 101101 |                         | Reserved                                   | Reserved                                   |      |
| 101110 |                         | Reserved                                   | Reserved                                   |      |
| 101111 |                         | Reserved                                   | Reserved                                   |      |
| 110000 | N/A                     | Reserved                                   | Reserved                                   |      |
| 110001 |                         | Reserved                                   | Reserved                                   |      |
| 110010 |                         | Reserved                                   | Reserved                                   |      |
| 110011 |                         | Reserved                                   | Reserved                                   |      |
| 110100 |                         | SRAM Back-bias Voltage V <sub>DRTBBP</sub> | SRAM Back-bias Voltage V <sub>DRTBBP</sub> |      |
| 110101 |                         | Reserved                                   | Reserved                                   |      |
| 110110 |                         | Reserved                                   | Reserved                                   |      |
| 110111 | Reserved                | Reserved                                   |  |      |
| 111000 | N/A                     | Reserved                                   | Reserved                                   |      |
| 111001 |                         | Reserved                                   | Reserved                                   |      |
| 111010 |                         | Reserved                                   | Reserved                                   |      |
| 111011 |                         | Reserved                                   | Reserved                                   |      |
| 111100 |                         | Reserved                                   | Reserved                                   |      |



| MUX5:0 | Single Ended Input | Positive Differential Input         | Negative Differential Input | Gain |
|--------|--------------------|-------------------------------------|-----------------------------|------|
| 111101 |                    | SRAM Back-bias Voltage $V_{DRTBBN}$ |                             |      |
| 111110 | Reserved           | N/A                                 |                             |      |
| 111111 | Reserved           |                                     |                             |      |

Note: 1. EVDD measurement is not available in ATmega128RFA1.

- **Bits 2:0 – ADTS2:0: ADC Auto Trigger Source**

If ADATE in ADCSRA is written to one, the value of these bits selects which source will trigger an A/D conversion. If ADATE is cleared, the ADTS2:0 settings will have no effect. A conversion will be triggered by the rising edge of the selected Interrupt Flag. Note that switching from a trigger source that is cleared, to a trigger source that is set, will generate a positive edge on the trigger signal. If ADEN in ADCSRA is set, this will start a conversion. Switching to Free Running mode (ADTS2:0=0) will not cause a trigger event, even if the ADC Interrupt Flag is set.

**Table 27-13. ADC Auto Trigger Source Selections**

| ADTS2 | ADTS1 | ADTS0 | Trigger Source                 |
|-------|-------|-------|--------------------------------|
| 0     | 0     | 0     | Free Running mode              |
| 0     | 0     | 1     | Analog Comparator              |
| 0     | 1     | 0     | External Interrupt Request 0   |
| 0     | 1     | 1     | Timer/Counter0 Compare Match A |
| 1     | 0     | 0     | Timer/Counter0 Overflow        |
| 1     | 0     | 1     | Timer/Counter1 Compare Match B |
| 1     | 1     | 0     | Timer/Counter1 Overflow        |
| 1     | 1     | 1     | Timer/Counter1 Capture Event   |

### 27.12.3 ADCSRA – ADC Control and Status Register A

| Bit           | 7           | 6           | 5            | 4           | 3           | 2            | 1            | 0            |        |
|---------------|-------------|-------------|--------------|-------------|-------------|--------------|--------------|--------------|--------|
| NA (\$7A)     | <b>ADEN</b> | <b>ADSC</b> | <b>ADATE</b> | <b>ADIF</b> | <b>ADIE</b> | <b>ADPS2</b> | <b>ADPS1</b> | <b>ADPS0</b> | ADCSRA |
| Read/Write    | R/W         | R/W         | R/W          | R/W         | R/W         | R/W          | R/W          | R/W          |        |
| Initial Value | 0           | 0           | 0            | 0           | 0           | 0            | 0            | 0            |        |

- **Bit 7 – ADEN: ADC Enable**

Writing this bit to one enables the ADC. The AVDD supply voltage will also be enabled if not already available. By writing it to zero, the ADC is turned off. Turning the ADC off while a conversion is in progress will terminate this conversion.

- **Bit 6 – ADSC: ADC Start Conversion**

In Single Conversion mode, write this bit to one to start each conversion. In Free Running mode, write this bit to one to start the first conversion. The first conversion after ADSC has been written after the ADC has been enabled, or if ADSC is written at the same time as the ADC is enabled, will include a start-up time to initialize the analog blocks of the ADC. The start-up time is defined by the ADSUT bits of register ADCSRC.

ADSC will read as one as long as a conversion is in progress. When the conversion is complete, it returns to zero. Writing zero to this bit has no effect.

- **Bit 5 – ADATE: ADC Auto Trigger Enable**

When this bit is written to one, Auto Triggering of the ADC is enabled. The ADC will start a conversion on a positive edge of the selected trigger signal. The trigger source is selected by setting the ADC Trigger Select bits, ADTS in ADCSRB.

- **Bit 4 – ADIF: ADC Interrupt Flag**

This bit is set when an A/D conversion is completed and the Data Register are updated. The ADC Conversion Complete Interrupt is executed if the ADIE bit and the I-bit in SREG are set. ADIF is cleared by hardware when executing the corresponding interrupt handling vector. Alternatively, ADIF is cleared by writing a logical one to the flag. Beware that if doing a Read-Modify-Write on ADCSRA, a pending interrupt can be disabled. This also applies if the SBI and CBI instructions are used.

- **Bit 3 – ADIE: ADC Interrupt Enable**

When this bit is written to one and the I-bit in SREG is set, the ADC Conversion Complete Interrupt is activated.

- **Bits 2:0 – ADPS2:0: ADC Prescaler Select Bits**

These bits determine the division factor between the CPU frequency and the input clock to the ADC.

**Table 27-14.** ADC Prescaler Selections

| ADPS2 | ADPS1 | ADPS0 | Division Factor |
|-------|-------|-------|-----------------|
| 0     | 0     | 0     | 2               |
| 0     | 0     | 1     | 2               |
| 0     | 1     | 0     | 4               |
| 0     | 1     | 1     | 8               |
| 1     | 0     | 0     | 16              |
| 1     | 0     | 1     | 32              |
| 1     | 1     | 0     | 64              |
| 1     | 1     | 1     | 128             |

## 27.12.4 ADCSRC – ADC Control and Status Register C

|               |               |               |                             |               |               |               |               |               |               |
|---------------|---------------|---------------|-----------------------------|---------------|---------------|---------------|---------------|---------------|---------------|
| Bit           | 7             | 6             | 5                           | 4             | 3             | 2             | 1             | 0             |               |
| NA (\$77)     | <b>ADTHT1</b> | <b>ADTHT0</b> | <b>ADSUT5<sup>(1)</sup></b> | <b>ADSUT4</b> | <b>ADSUT3</b> | <b>ADSUT2</b> | <b>ADSUT1</b> | <b>ADSUT0</b> | <b>ADCSRC</b> |
| Read/Write    | RW            | RW            | RW                          | RW            | RW            | RW            | RW            | RW            |               |
| Initial Value | 0             | 1             | 0                           | 1             | 0             | 1             | 0             | 0             |               |

This register defines the track-and-hold time for sampling the analog input voltage of the ADC and it defines the start-up time for the analog blocks based on a number of ADC clock cycles. The ADC clock is generated from the system clock with the ADC prescaler. The bits ADPS2:0 of register ADCSRA set the prescaler ratio. Correct start-up and track-and-hold times are important for precise conversion results.

- **Bits 7:6 – ADTHT1:0: ADC Track-and-Hold Time**

These bits define the number of ADC clock cycles for the sampling time of the analog input voltage. For a complete description of this bit, see ["Pre-scaling and Conversion Timing" on page 446](#).

- **Bits 5:0 – ADSUT5:0: ADC Start-up Time**

These bits define the number of ADC clock cycles for the start-up time of the analog blocks. For a complete description of this bit, see ["Pre-scaling and Conversion Timing" on page 446](#).

Note: 1. ADSUT5 is not available in ATmega128RFA1.

## 27.12.5 ADCL and ADCH – The ADC Data Register

### 27.12.5.1 ADLAR = 0

| Bit           | 15   | 14   | 13   | 12   | 11   | 10   | 9    | 8    |      |
|---------------|------|------|------|------|------|------|------|------|------|
| NA (\$79)     | –    | –    | –    | –    | –    | –    | ADC9 | ADC8 | ADCH |
| NA (\$78)     | ADC7 | ADC6 | ADC5 | ADC4 | ADC3 | ADC2 | ADC1 | ADC0 | ADCL |
| Read/Write    | R    | R    | R    | R    | R    | R    | R    | R    |      |
| Initial Value | 0    | 0    | 0    | 0    | 0    | 0    | 0    | 0    |      |

### 27.12.5.2 ADLAR = 1

| Bit           | 15   | 14   | 13   | 12   | 11   | 10   | 9    | 8    |      |
|---------------|------|------|------|------|------|------|------|------|------|
| NA (\$79)     | ADC9 | ADC8 | ADC7 | ADC6 | ADC5 | ADC4 | ADC3 | ADC2 | ADCH |
| NA (\$78)     | ADC1 | ADC0 | –    | –    | –    | –    | –    | –    | ADCL |
| Read/Write    | R    | R    | R    | R    | R    | R    | R    | R    |      |
| Initial Value | 0    | 0    | 0    | 0    | 0    | 0    | 0    | 0    |      |

When an A/D conversion is complete, the result is found in these two registers. If differential channels are used, the result is presented in two's complement form.

When ADCL is read, the ADC Data Register is not updated until ADCH is read. Consequently, if the result is left adjusted and no more than 8-bit precision (7 bit + sign bit for differential input channels) is required, it is sufficient to read ADCH. Otherwise, ADCL must be read first, then ADCH.

The ADLAR bit in ADMUX, and the MUX $n$  bits in ADMUX affect the way the result is read from the registers. If ADLAR is set, the result is left adjusted. If ADLAR is cleared (default), the result is right adjusted.

- **ADC9:0: A/D Conversion Result**

These bits represent the result from the conversion as detailed in ["ADC Conversion Result" on page 456](#).

## 27.12.6 DIDR0 – Digital Input Disable Register 0

| Bit           | 7     | 6     | 5     | 4     | 3     | 2     | 1     | 0     |       |
|---------------|-------|-------|-------|-------|-------|-------|-------|-------|-------|
| NA (\$7E)     | ADC7D | ADC6D | ADC5D | ADC4D | ADC3D | ADC2D | ADC1D | ADC0D | DIDR0 |
| Read/Write    | RW    | RW    | RW    | RW    | RW    | RW    | RW    | RW    |       |
| Initial Value | 0     | 0     | 0     | 0     | 0     | 0     | 0     | 0     |       |

- **Bits 7:0 – ADC7D:ADC0D: Digital Input Disable**

When this bit is written logic one, the digital input buffer on the corresponding ADC pin is disabled. The corresponding PIN Register bit will always read as zero when this bit is set. When an analog signal is applied to the ADC7:0 pin and the digital input from this pin is not needed, this bit should be written logic one to reduce power consumption in the digital input buffer.

### 27.12.7 DIDR2 – Digital Input Disable Register 2

|               |               |               |               |               |               |               |              |              |              |
|---------------|---------------|---------------|---------------|---------------|---------------|---------------|--------------|--------------|--------------|
| Bit           | 7             | 6             | 5             | 4             | 3             | 2             | 1            | 0            |              |
| NA (\$7D)     | <b>ADC15D</b> | <b>ADC14D</b> | <b>ADC13D</b> | <b>ADC12D</b> | <b>ADC11D</b> | <b>ADC10D</b> | <b>ADC9D</b> | <b>ADC8D</b> | <b>DIDR2</b> |
| Read/Write    | RW            | RW            | RW            | RW            | RW            | RW            | RW           | RW           |              |
| Initial Value | 0             | 0             | 0             | 0             | 0             | 0             | 0            | 0            |              |

Reserved for future use.

- **Bit 7:0 – ADC15D:ADC8D - Reserved Bits**

This bit is reserved for future use. For ensuring compatibility with future devices, this bit must be written to zero.

### 27.12.8 BGCR – Reference Voltage Calibration Register

|               |                    |                    |                    |                    |             |
|---------------|--------------------|--------------------|--------------------|--------------------|-------------|
| Bit           | 7                  | 6                  | 5                  | 4                  |             |
| NA (\$67)     | <b>Res</b>         | <b>BGCAL_FINE3</b> | <b>BGCAL_FINE2</b> | <b>BGCAL_FINE1</b> | <b>BGCR</b> |
| Read/Write    | R                  | RW                 | RW                 | RW                 |             |
| Initial Value | 0                  | 0                  | 0                  | 0                  |             |
| Bit           | 3                  | 2                  | 1                  | 0                  |             |
| NA (\$67)     | <b>BGCAL_FINE0</b> | <b>BGCAL2</b>      | <b>BGCAL1</b>      | <b>BGCAL0</b>      | <b>BGCR</b> |
| Read/Write    | RW                 | RW                 | RW                 | RW                 |             |
| Initial Value | 0                  | 0                  | 0                  | 0                  |             |

This register contains the calibration values of the reference voltage of the ADC. The values are loaded from the fuse memory after power-up. They can be corrected by the application software e.g. to compensate for temperature changes. The internal 1.6V reference voltage is calibrated and has therefore the highest accuracy compared to the 1.5V or AVDD reference.

- **Bit 7 – Res - Reserved Bit**

This bit is reserved for future use. A read access always will return zero. A write access does not modify the content.

- **Bit 6:3 – BGCAL\_FINE3:0 - Fine Calibration Bits**

These bits allow the calibration of the AREF voltage with a resolution of 2mV.

**Table 27-15** BGCAL\_FINE Register Bits

| Register Bits | Value | Description       |
|---------------|-------|-------------------|
| BGCAL_FINE3:0 | 0     | Center value      |
|               | 1     | Voltage step up   |
|               | 8     | Voltage step down |

| Register Bits | Value | Description                 |
|---------------|-------|-----------------------------|
|               | 7     | Setting for highest voltage |
|               | 15    | Setting for lowest voltage  |

- **Bit 2:0 – BGCAL2:0 - Coarse Calibration Bits**

These bits allow the calibration of the AREF voltage with a resolution of 10mV.

**Table 27-16** BGCAL Register Bits

| Register Bits | Value | Description                 |
|---------------|-------|-----------------------------|
| BGCAL2:0      | 4     | Center value                |
|               | 3     | Voltage step up             |
|               | 5     | Voltage step down           |
|               | 0     | Setting for highest voltage |
|               | 7     | Setting for lowest voltage  |

## 28 JTAG Interface and On-chip Debug System

### 28.1 Features

- **JTAG (IEEE std. 1149.1 Compliant) Interface**
- **Boundary-scan Capabilities According to the IEEE std. 1149.1 (JTAG) Standard**
- **Debugger Access to:**
  - All Internal Peripheral Units
  - Internal and External RAM
  - The Internal Register File–Program Counter
  - EEPROM and Flash Memories
- **Extensive on-chip debug Support for Break Conditions, Including**
  - AVR Break Instruction
  - Break on Change of Program Memory Flow
  - Single Step Break
  - Program Memory Breakpoints on Single Address or Address Range
  - Data Memory Breakpoints on Single Address or Address Range
- **Programming of Flash, EEPROM, Fuses, and Lock Bits through the JTAG Interface**
- **On-chip debugging Supported by AVR Studio®**

### 28.2 Overview

The AVR IEEE std. 1149.1 compliant JTAG interface can be used for

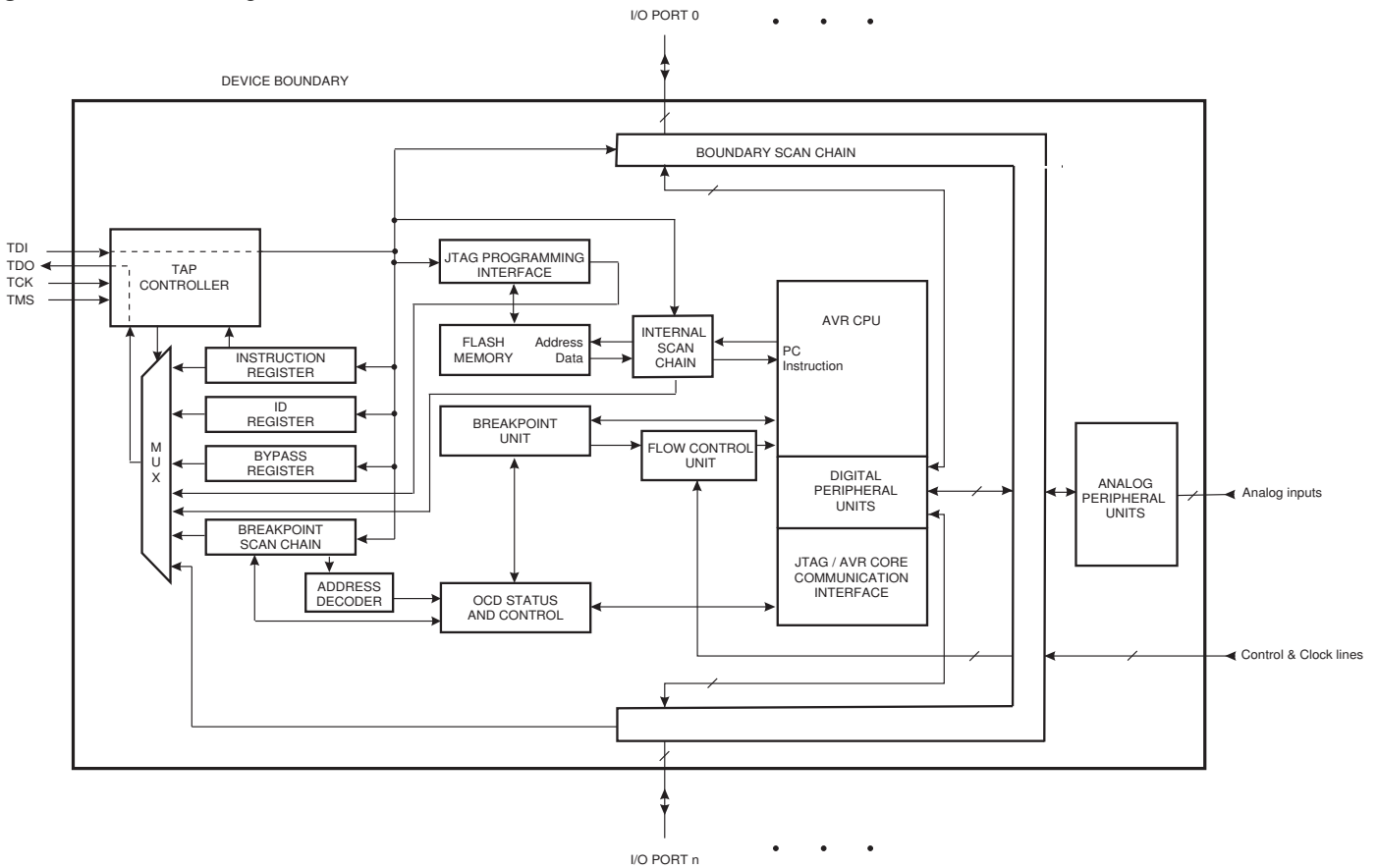
- Testing PCBs by using the JTAG Boundary-scan capability
- Programming the non-volatile memories, Fuses and Lock bits
- On-chip debugging

A brief description is given in the following sections. Detailed descriptions for Programming via the JTAG interface, and using the Boundary-scan Chain can be found in the sections "[Programming via the JTAG Interface](#)" on page 523 and "[Programming via the JTAG Interface](#)" on page 523, respectively. The on-chip debug support is considered being private JTAG instructions, and distributed within ATMEL and to selected third party vendors only.

[Figure 28-1 on page 471](#) shows a block diagram of the JTAG interface and the on-chip debug system. The TAP Controller is a state machine controlled by the TCK and TMS signals. The TAP Controller selects either the JTAG Instruction Register or one of several Data Registers as the scan chain (Shift Register) between the TDI – input and TDO – output. The Instruction Register holds JTAG instructions controlling the behavior of a Data Register.

The ID-Register, Bypass Register, and the Boundary-scan Chain are the Data Registers used for board-level testing. The JTAG Programming Interface (actually consisting of several physical and virtual Data Registers) is used for serial programming via the JTAG interface. The internal scan-chain and breakpoint scan-chain are used for on-chip debugging only.

Figure 28-1. Block Diagram



## 28.3 TAP - Test Access Port

The JTAG interface is accessed through four of the AVR's pins. In JTAG terminology, these pins constitute the Test Access Port – TAP. These pins are:

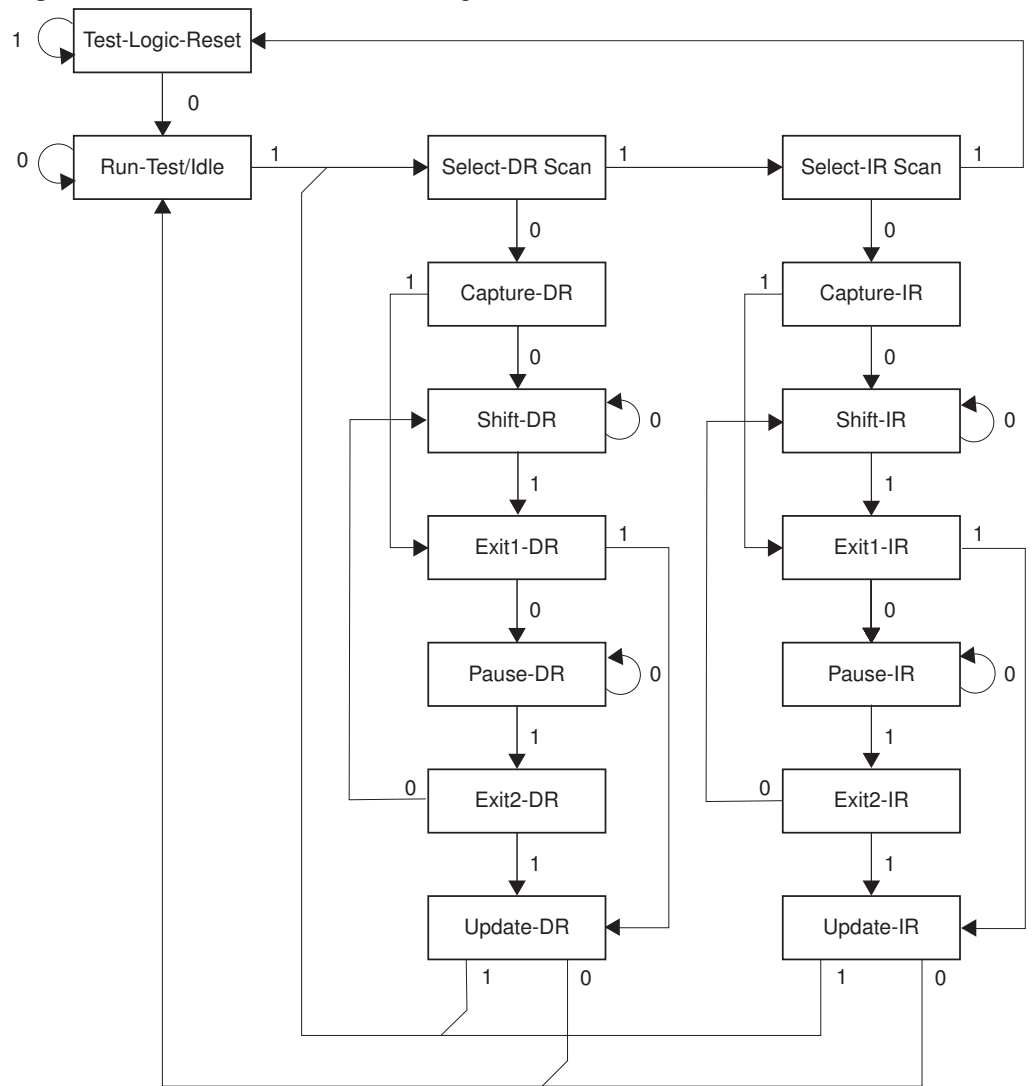
- TMS: Test mode select. This pin is used for navigating through the TAP-controller state machine.
- TCK: Test Clock. JTAG operation is synchronous to TCK.
- TDI: Test Data In. Serial input data to be shifted in to the Instruction Register or Data Register (Scan Chains).
- TDO: Test Data Out. Serial output data from Instruction Register or Data Register.

The IEEE std. 1149.1 also specifies an optional TAP signal; TRST – Test ReSeT – which is not provided.

When the JTAGEN Fuse is un-programmed, these four TAP pins are normal port pins, and the TAP controller is in reset. When programmed the input TAP signals are internally pulled high and the JTAG is enabled for Boundary-scan and programming. The device is shipped with this fuse programmed.

For the on-chip debug system, in addition to the JTAG interface pins, the RESET pin is monitored by the debugger to be able to detect external reset sources. The debugger can also pull the RESET pin low to reset the whole system, assuming only open collectors on the reset line are used in the application.

**Figure 28-2. TAP Controller State Diagram**



## 28.4 TAP Controller

The TAP controller is a 16-state finite state machine that controls the operation of the Boundary-scan circuitry, JTAG programming circuitry, or on-chip debug system. The state transitions depicted in [Figure 28-2](#) above depend on the signal present on TMS (shown adjacent to each state transition) at the time of the rising edge at TCK. The initial state after a Power-on Reset is Test-Logic-Reset.

As a definition in this document, the LSB is shifted in and out first for all Shift Registers.

Assuming Run-Test/Idle is the present state, a typical scenario for using the JTAG interface is:

- At the TMS input, apply the sequence 1, 1, 0, 0 at the rising edges of TCK to enter the Shift Instruction Register – Shift-IR state. While in this state, shift the four bits of the JTAG instructions into the JTAG Instruction Register from the TDI input at the rising edge of TCK. The TMS input must be held low during input of the 3 LSBs in order to remain in the Shift-IR state. The MSB of the instruction is shifted in when this state is left by setting TMS high. While the instruction is shifted in from the TDI pin, the captured IR-state 0x01 is shifted out on the TDO pin. The JTAG Instruction



selects a particular Data Register as path between TDI and TDO and controls the circuitry surrounding the selected Data Register.

- Apply the TMS sequence 1, 1, 0 to re-enter the Run-Test/Idle state. The instruction is latched onto the parallel output from the Shift Register path in the Update-IR state. The Exit-IR, Pause-IR, and Exit2-IR states are only used for navigating the state machine.
- At the TMS input, apply the sequence 1, 0, 0 at the rising edges of TCK to enter the Shift Data Register – Shift-DR state. While in this state, upload the selected Data Register (selected by the present JTAG instruction in the JTAG Instruction Register) from the TDI input at the rising edge of TCK. In order to remain in the Shift-DR state, the TMS input must be held low during input of all bits except the MSB. The MSB of the data is shifted in when this state is left by setting TMS high. While the Data Register is shifted in from the TDI pin, the parallel inputs to the Data Register captured in the Capture-DR state is shifted out on the TDO pin.
- Apply the TMS sequence 1, 1, 0 to re-enter the Run-Test/Idle state. If the selected Data Register has a latched parallel-output, the latching takes place in the Update-DR state. The Exit-DR, Pause-DR, and Exit2-DR states are only used for navigating the state machine.

As shown in the state diagram, the Run-Test/Idle state need not be entered between selecting JTAG instruction and using Data Registers, and some JTAG instructions may select certain functions to be performed in the Run-Test/Idle, making it unsuitable as an Idle state.

Note that independent of the initial state of the TAP Controller, the Test-Logic-Reset state can always be entered by holding TMS high for five TCK clock periods. For detailed information on the JTAG specification, refer to the literature listed in "[Bibliography](#)" on page 475.

## 28.5 Using the Boundary-scan Chain

A complete description of the Boundary-scan capabilities are given in the section "[IEEE 1149.1 \(JTAG\) Boundary-scan](#)" on page 476.

## 28.6 Using the On-chip Debug System

The on-chip debug system must be disabled for the best RF performance of the radio transceiver. As shown in Figure 28-1, the hardware support for on-chip debugging consists mainly of

- A scan chain on the interface between the internal AVR CPU and the internal peripheral units.
- Breakpoint unit.
- Communication interface between the CPU and JTAG system.

All read or modify/write operations needed for implementing the debugger are done by applying AVR instructions via the internal AVR CPU Scan Chain. The CPU sends the result to an I/O memory mapped location which is part of the communication interface between the CPU and the JTAG system.

The Breakpoint Unit implements *Break on Change of Program Flow*, *Single Step Break*, two program memory breakpoints and two combined breakpoints. Together, the four breakpoints can be configured as either:

- 4 single program memory breakpoints;
- 3 single program memory breakpoint + 1 single data memory breakpoint;
- 2 single program memory breakpoints + 2 single data memory breakpoints;

- 2 single program memory breakpoints + 1 program memory breakpoint with mask (“range breakpoint”).
- 2 single program memory breakpoints + 1 data memory breakpoint with mask (“range breakpoint”).

A debugger, like the AVR Studio, may however use one or more of these resources for its internal purpose, leaving less flexibility to the end-user.

A list of the on-chip debug specific JTAG instructions is given in ["On-chip Debug Specific JTAG Instructions"](#) below.

The JTAGEN Fuse must be programmed to enable the JTAG Test Access Port. In addition, the OCDEN Fuse must be programmed and no Lock bits must be set for the on-chip debug system to work. As a security feature, the on-chip debug system is disabled when either of the LB1 or LB2 Lock-bits are set. Otherwise, the on-chip debug system would have provided a back-door into a secured device.

The AVR Studio enables the user to fully control execution of programs on an AVR device with on-chip debug capability, AVR In-Circuit Emulator, or the built-in AVR Instruction Set Simulator. AVR Studio supports source level execution of Assembly programs assembled with Atmel Corporation’s AVR Assembler and C programs compiled with third party vendors’ compilers. For a full description of the AVR Studio, please refer to the AVR Studio User Guide. Only highlights are presented in this document.

All necessary execution commands are available in AVR Studio, both on source level and on disassembly level. The user can execute the program, single step through the code either by tracing into or stepping over functions, step out of functions, place the cursor on a statement and execute until the statement is reached, stop the execution, and reset the execution target. In addition, the user can have an unlimited number of code breakpoints (using the BREAK instruction) and up to two data memory Breakpoints, alternatively combined as a mask (range) breakpoint.

## 28.7 On-chip Debug Specific JTAG Instructions

The on-chip debug support is considered being private JTAG instructions, and distributed within ATMEL and to selected third party vendors only. Instruction operation codes are listed for reference.

### 28.7.1 PRIVATE0; 0x8

Private JTAG instruction for accessing on-chip debug system;

### 28.7.2 PRIVATE1; 0x9

Private JTAG instruction for accessing on-chip debug system;

### 28.7.3 PRIVATE2; 0xA

Private JTAG instruction for accessing on-chip debug system;

### 28.7.4 PRIVATE3; 0xB

Private JTAG instruction for accessing on-chip debug system;

## 28.8 Using the JTAG Programming Capabilities

Programming of the ATmega2564/1284/644RFR2 via JTAG is performed via the 4-pin JTAG port, TCK, TMS, TDI, and TDO. These are the only pins that need to be controlled and observed to perform JTAG programming (in addition to power pins). The JTAGEN Fuse must be programmed and the JTD bit in the MCUCR Register must be cleared to enable the JTAG Test Access Port.

The JTAG programming capability supports:

- Flash programming and verifying.
- EEPROM programming and verifying.
- Fuse programming and verifying.
- Lock bit programming and verifying.

The Lock bit security is exactly as in parallel programming mode. If the Lock bits LB1 or LB2 are programmed, the OCDEN Fuse cannot be programmed unless first doing a chip erase. This is a security feature that ensures no back-door exists for reading out the content of a secured device.

The details on programming through the JTAG interface and programming specific JTAG instructions are given in the section "[Programming via the JTAG Interface](#)" on [page 523](#).

## 28.9 Bibliography

For more information about general Boundary-scan, the following literature can be consulted:

- IEEE: IEEE Std. 1149.1-1990. IEEE Standard Test Access Port and Boundary-scan Architecture, IEEE, 1993.
- Colin Maunder: The Board Designers Guide to Testable Logic Circuits, Addison-Wesley, 1992.

## 28.10 On-chip Debug Related Register in I/O Memory

### 28.10.1 OCDR – On-Chip Debug Register

|               |                |    |    |    |    |    |    |    |             |
|---------------|----------------|----|----|----|----|----|----|----|-------------|
| Bit           | 7              | 6  | 5  | 4  | 3  | 2  | 1  | 0  |             |
| \$31 (\$51)   | <b>OCDR7:0</b> |    |    |    |    |    |    |    | <b>OCDR</b> |
| Read/Write    | RW             | RW | RW | RW | RW | RW | RW | RW |             |
| Initial Value | 0              | 0  | 0  | 0  | 0  | 0  | 0  | 0  |             |

The OCDR Register provides a communication channel from the running program in the microcontroller to the debugger. The CPU can transfer a byte to the debugger by writing to this location. At the same time, an internal flag; I/O Debug Register Dirty IDR<sub>D</sub> is set to indicate to the debugger that the register has been written. When the CPU reads the OCDR Register the 7 LSB will be from the OCDR Register, while the MSB is the IDR<sub>D</sub> bit. The debugger clears the IDR<sub>D</sub> bit when it has read the information. In some AVR devices, this register is shared with a standard I/O location. In this case, the OCDR Register can only be accessed if the OCDEN Fuse is programmed, and the debugger enables access to the OCDR Register. In all other cases, the standard I/O location is accessed.

- **Bit 7:0 – OCDR7:0 - On-Chip Debug Register Data**

**Table 28-17** OCDR Register Bits

| Register Bits | Value | Description  |
|---------------|-------|--|
| OCDR7:0       | 0     | Refer to the debugger documentation for further information on how to use this register. |

## 29 IEEE 1149.1 (JTAG) Boundary-scan

### 29.1 Features

- **JTAG (IEEE std. 1149.1 compliant) Interface**
- **Boundary-scan Capabilities According to the JTAG Standard**
- **Full Scan of all Port Functions as well as Analog Circuitry having Off-chip Connections**
- **Supports the Optional IDCODE Instruction**
- **Additional Public AVR\_RESET Instruction to Reset the ATmega2564/1284/644RFR2**

### 29.2 System Overview

The Boundary-scan chain has the capability of driving and observing the logic levels on the digital I/O pins, as well as the boundary between digital and analog logic for analog circuitry having off-chip connections. At system level, all ICs having JTAG capabilities are connected serially by the TDI/TDO signals to form a long Shift Register. An external controller sets up the devices to drive values at their output pins, and observe the input values received from other devices. The controller compares the received data with the expected result. In this way, Boundary-scan provides a mechanism for testing interconnections and integrity of components on Printed Circuits Boards by using the four TAP signals only.

The four IEEE 1149.1 defined mandatory JTAG instructions IDCODE, BYPASS, SAMPLE/PRELOAD, and EXTEST, as well as the AVR specific public JTAG instruction AVR\_RESET can be used for testing the Printed Circuit Board. Initial scanning of the Data Register path will show the ID-Code of the device, since IDCODE is the default JTAG instruction. It may be desirable to have the AVR device in reset during test mode. If not reset, inputs to the device may be determined by the scan operations, and the internal software may be in an undetermined state when exiting the test mode. Entering reset, the outputs of any port pin will instantly enter the high impedance state, making the HIGHZ instruction redundant. If needed, the BYPASS instruction can be issued to make the shortest possible scan chain through the device. The device can be set in the reset state either by pulling the external RESET pin low, or issuing the AVR\_RESET instruction with appropriate setting of the Reset Data Register.

The EXTEST instruction is used for sampling external pins and loading output pins with data. The data from the output latch will be driven out on the pins as soon as the EXTEST instruction is loaded into the JTAG IR-Register. Therefore, the SAMPLE/PRELOAD should also be used for setting initial values to the scan ring, to avoid damaging the board when issuing the EXTEST instruction for the first time. SAMPLE/PRELOAD can also be used for taking a snapshot of the external pins during normal operation of the part.

The JTAGEN Fuse must be programmed and the JTD bit in the I/O Register MCUCR must be cleared to enable the JTAG Test Access Port.

When using the JTAG interface for Boundary-scan, using a JTAG TCK clock frequency higher than the internal chip frequency is possible. The chip clock is not required to run.

### 29.3 Data Registers

The Data Registers relevant for Boundary-scan operations are:

- Bypass Register

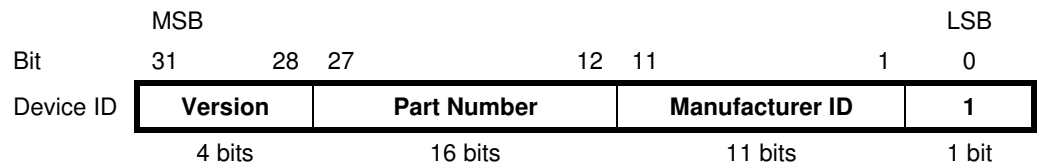
- Device Identification Register
- Reset Register
- Boundary-scan Chain

## 29.3.1 Bypass Register

The Bypass Register consists of a single Shift Register stage. When the Bypass Register is selected as path between TDI and TDO, the register is reset to 0 when leaving the Capture-DR controller state. The Bypass Register can be used to shorten the scan chain on a system when the other devices are to be tested.

## 29.3.2 Device Identification Register

**Figure 29-1.** The Format of the Device Identification Register



### 29.3.2.1 Version

Version is a 4-bit number identifying the revision of the component. The JTAG version number follows the revision of the device. Revision A is 0x0, revision B is 0x1 and so on.

### 29.3.2.2 Part Number

The part number is a 16-bit code identifying the component. The JTAG Part Number for ATmega2564/1284/644RFR2 is listed in [Table 31-6 on page 505](#).

### 29.3.2.3 Manufacturer ID

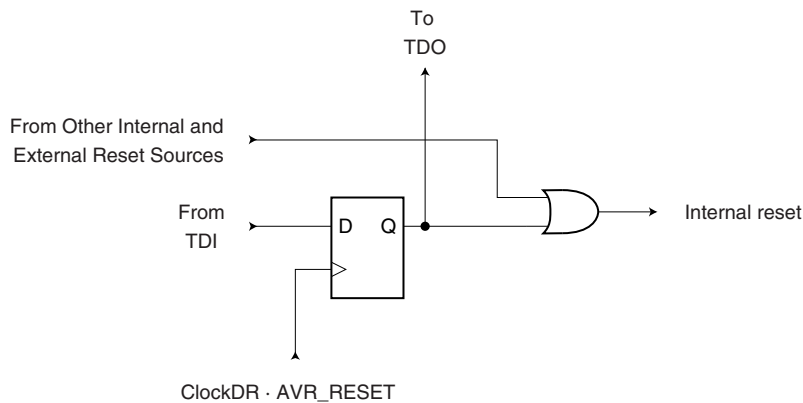
The Manufacturer ID is a 11-bit code identifying the manufacturer. The JTAG manufacturer ID for ATMEL is listed in [Table 31-6 on page 505](#).

## 29.3.3 Reset Register

The Reset Register is a test Data Register used to reset the part. Since the AVR tri-states Port Pins when reset, the Reset Register can also replace the function of the unimplemented optional JTAG instruction HIGHZ.

A high value in the Reset Register corresponds to pulling the external Reset low. The part is reset as long as there is a high value present in the Reset Register. Depending on the fuse settings for the clock options, the part will remain reset for a reset time-out period (see ["Clock Sources" on page 175](#)) after releasing the Reset Register. The output from this Data Register is not latched, so the reset will take place immediately, as shown in [Figure 29-2 on page 478](#).

**Figure 29-2. Reset Register**



### 29.3.4 Boundary-scan Chain

The Boundary-scan Chain has the capability of driving and observing the logic levels on the digital I/O pins, as well as the boundary between digital and analog logic for analog circuitry having off-chip connections.

See ["Boundary-scan Chain" on page 479](#) for a complete description.

## 29.4 Boundary-scan Specific JTAG Instructions

The Instruction Register is 4-bit wide, supporting up to 16 instructions. Listed below are the JTAG instructions useful for Boundary-scan operation. Note that the optional HIGHZ instruction is not implemented, but all outputs with tri-state capability can be set in high-impedance state by using the AVR\_RESET instruction, since the initial state for all port pins is tri-state.

As a definition in this datasheet, the LSB is shifted in and out first for all Shift Registers.

The OPCODE for each instruction is shown behind the instruction name in hex format. The text describes which Data Register is selected as path between TDI and TDO for each instruction.

### 29.4.1 EXTEST; 0x0

Mandatory JTAG instruction for selecting the Boundary-scan Chain as Data Register for testing circuitry external to the AVR package. For port-pins, Pull-up Disable, Output Control, Output Data, and Input Data are all accessible in the scan chain. For Analog circuits having off-chip connections, the interface between the analog and the digital logic is in the scan chain. The contents of the latched outputs of the Boundary-scan chain is driven out as soon as the JTAG IR-Register is loaded with the EXTEST instruction.

The active states are:

- Capture-DR: Data on the external pins are sampled into the Boundary-scan Chain.
- Shift-DR: The Internal Scan Chain is shifted by the TCK input.
- Update-DR: Data from the scan chain is applied to output pins.

### 29.4.2 IDCODE; 0x1

Optional JTAG instruction selecting the 32 bit ID-Register as Data Register. The ID-Register consists of a version number, a device number and the manufacturer code chosen by JEDEC. This is the default instruction after power-up.

The active states are:

- Capture-DR: Data in the IDCODE Register is sampled into the Boundary-scan Chain.
- Shift-DR: The IDCODE scan chain is shifted by the TCK input.

### 29.4.3 SAMPLE\_PRELOAD; 0x2

Mandatory JTAG instruction for pre-loading the output latches and taking a snap-shot of the input/output pins without affecting the system operation. However, the output latches are not connected to the pins. The Boundary-scan Chain is selected as Data Register.

The active states are:

- Capture-DR: Data on the external pins are sampled into the Boundary-scan Chain.
- Shift-DR: The Boundary-scan Chain is shifted by the TCK input.
- Update-DR: Data from the Boundary-scan chain is applied to the output latches. However, the output latches are not connected to the pins.

### 29.4.4 AVR\_RESET; 0xC

The AVR specific public JTAG instruction for forcing the AVR device into the Reset mode or releasing the JTAG reset source. The TAP controller is not reset by this instruction. The one bit Reset Register is selected as Data Register. Note that the reset will be active as long as there is a logic “one” in the Reset Chain. The output from this chain is not latched.

The active states are:

- Shift-DR: The Reset Register is shifted by the TCK input.

### 29.4.5 BYPASS; 0xF

Mandatory JTAG instruction selecting the Bypass Register for Data Register.

The active states are:

- Capture-DR: Loads a logic “0” into the Bypass Register.
- Shift-DR: The Bypass Register cell between TDI and TDO is shifted.

## 29.5 Boundary-scan Chain

The Boundary-scan chain has the capability of driving and observing the logic levels on the digital I/O pins, as well as the boundary between digital and analog logic for analog circuitry having off-chip connection.

### 29.5.1 Scanning the Digital Port Pins

[Figure 29-3 on page 480](#) shows the Boundary-scan Cell for a bi-directional port pin. The pull-up function is disabled during Boundary-scan when the JTAG IC contains EXTEST or SAMPLE\_PRELOAD. The cell consists of a bi-directional pin cell that combines the three signals Output Control - OC<sub>xn</sub>, Output Data - OD<sub>xn</sub>, and Input Data - ID<sub>xn</sub>, into only a two-stage Shift Register. The port and pin indexes are not used in the following description.

The Boundary-scan logic is not included in the figures in the datasheet. [Figure 29-4 on page 481](#) shows a simple digital port pin as described in the section “I/O-Ports” on [page 217](#). The Boundary-scan details from [Figure 29-3 on page 480](#) replaces the dashed box in [Figure 29-4 on page 481](#).

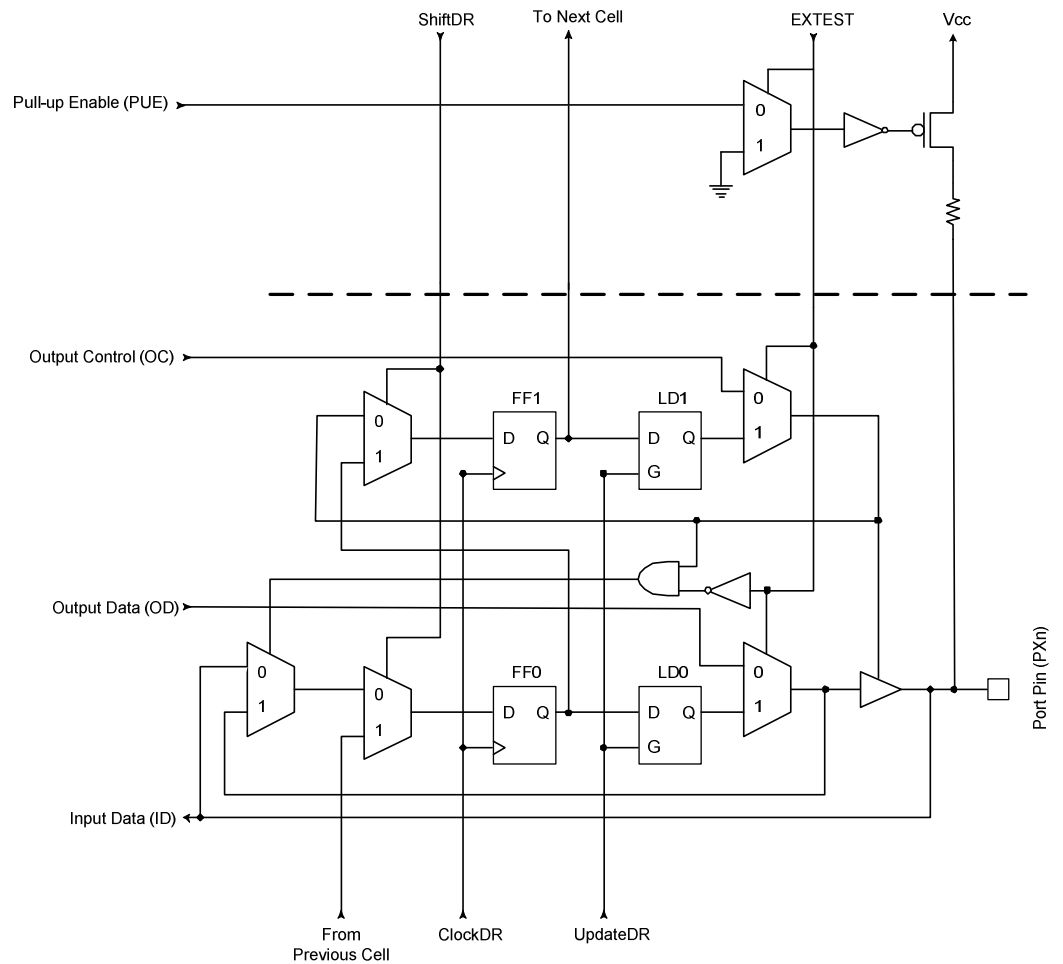
When no alternate port function is present, the Input Data - ID - corresponds to the PINxn Register value (but ID has no synchronizer), Output Data corresponds to the PORT Register, Output Control corresponds to the Data Direction - DD Register, and the Pull-up Enable - PUExn – corresponds to logic expression:

$$\overline{PUD} \cdot \overline{DDxn} \cdot PORTxn$$

Digital alternate port functions are connected outside the dotted box [Figure 29-4 on page 481](#) to make the scan chain read the actual pin value. For analog function, there is a direct connection from the external pin to the analog circuitry. There is no scan chain on the interface between the digital and the analog circuitry, but some digital control signal to analog circuitry are turned off to avoid driving contention on the pads.

When JTAG IR contains EXTEST or SAMPLE\_PRELOAD the clock is not sent out on the port pins even if the CKOUT fuse is programmed. Even though the clock is output when the JTAG IR contains SAMPLE\_PRELOAD, the clock is not sampled by the boundary scan.

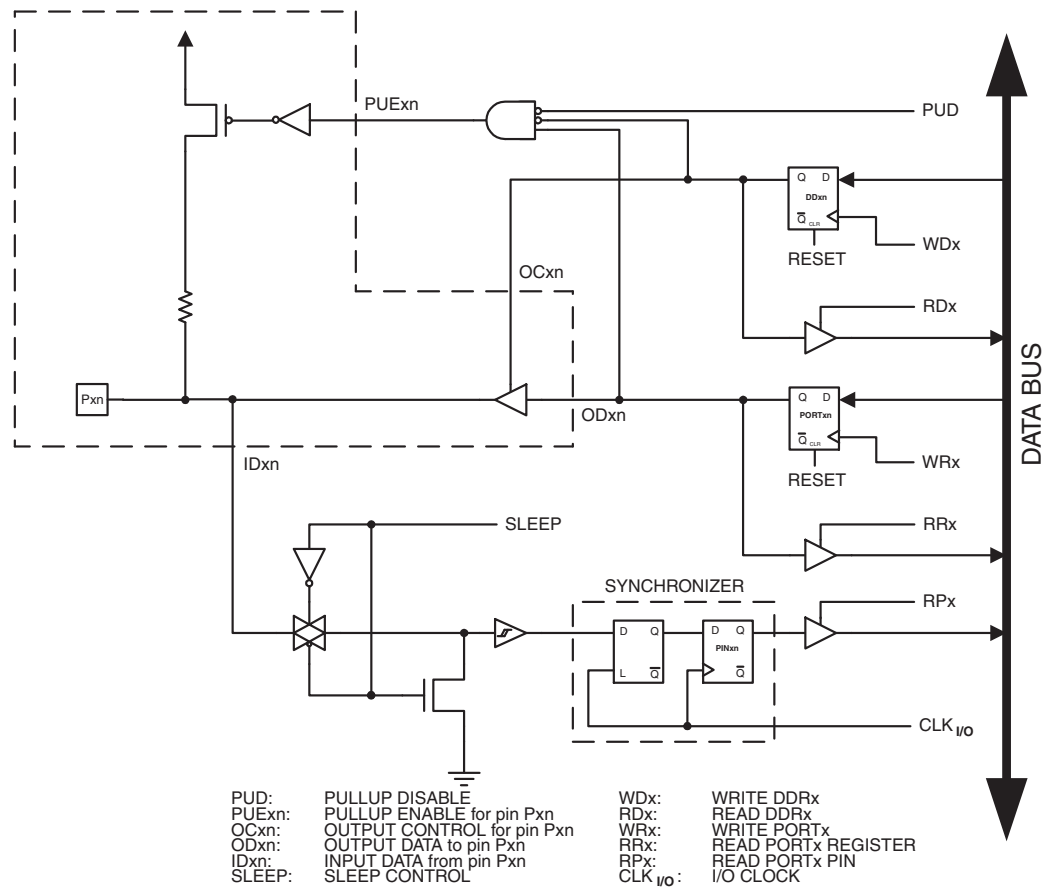
**Figure 29-3.** Boundary-scan Cell for Bi-directional Port Pin with Pull-up Function





**Figure 29-4. General Port Pin Schematic Diagram**

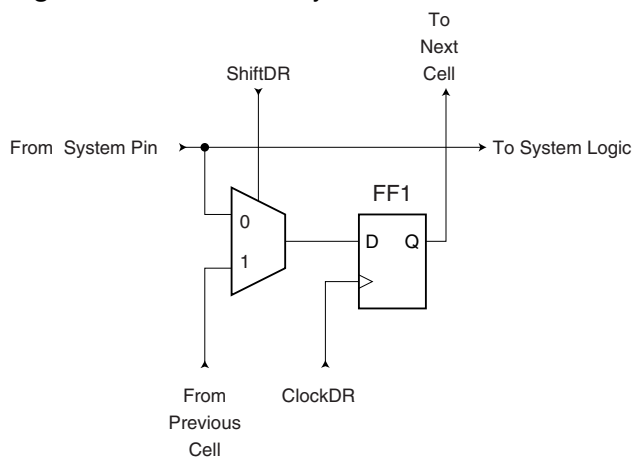
See Boundary-scan  
Description for Details!



## 29.5.2 Scanning the RSTN, CLKI and TST Pin

An observe-only cell as shown in [Figure 29-5](#) below is inserted for the active low reset signal RSTN, for the active high programming and test mode enable signal TST and for the clock input CLKI.

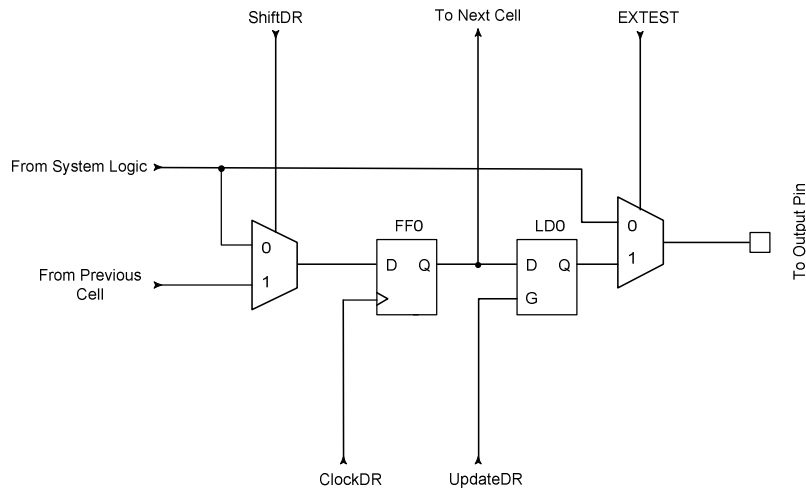
**Figure 29-5. Observe-only Cell**



## 29.5.3 Scanning the RSTON Pin

For the low-active reset output pin RSTON a boundary-scan cell as shown in [Figure 29-6 below](#) is inserted.

**Figure 29-6.** Boundary-scan Cell for Output Pins without Pull-up Function



## 29.6 Boundary-scan Related Register in I/O Memory

For detailed register description see chapter "[MCUCR – MCU Control Register](#)" on [page 247](#) and "[MCUSR – MCU Status Register](#)" on [page 214](#).

### 29.6.1 MCUCR – MCU Control Register

| Bit           | 7          | 6 | 5 | 4 | 3 | 2 | 1 | 0 |              |
|---------------|------------|---|---|---|---|---|---|---|--------------|
| \$35 (\$55)   | <b>JTD</b> |   |   |   |   |   |   |   | <b>MCUCR</b> |
| Read/Write    | RW         |   |   |   |   |   |   |   |              |
| Initial Value | 0          |   |   |   |   |   |   |   |              |

The MCU Control Register contains control bits for general Microcontroller Unit functions.

- **Bit 7 – JTD - JTAG Interface Disable**

When this bit is zero, the JTAG interface is enabled if the JTAGEN Fuse is programmed. If this bit is one, the JTAG interface is disabled. In order to avoid unintentional disabling or enabling of the JTAG interface, a timed sequence must be followed when changing this bit: The application software must write this bit to the desired value twice within four cycles to change its value. Note that this bit must not be altered when using the On-chip Debug system.

### 29.6.2 MCUSR – MCU Status Register

| Bit           | 7 | 6 | 5 | 4           | 3 | 2 | 1 | 0 |              |
|---------------|---|---|---|-------------|---|---|---|---|--------------|
| \$34 (\$54)   |   |   |   | <b>JTRF</b> |   |   |   |   | <b>MCUSR</b> |
| Read/Write    |   |   |   | RW          |   |   |   |   |              |
| Initial Value |   |   |   | 0           |   |   |   |   |              |

The MCU Status Register provides information on which reset source caused an MCU reset.

- **Bit 4 – JTRF - JTAG Reset Flag**

This bit is set if a reset is being caused by a logic one in the JTAG Reset Register selected by the JTAG instruction AVR\_RESET. This bit is reset by a Power-on Reset, or by writing a logic zero to the flag.

## 29.7 Boundary-scan Description Language Files

Boundary-scan Description Language (BSDL) files describe Boundary-scan capable devices in a standard format used by automated test-generation software. The order and function of bits in the Boundary-scan Data Register are included in this description. BSDL files are available for ATmega2564/1284/644RFR2.

## 29.8 ATmega2564/1284/644RFR2 Boundary-scan Order

[Table 29-1](#) on page 484 shows the Scan order between TDI and TDO when the Boundary-scan chain is selected as data path. Bit 0 is the LSB; the first bit scanned in, and the first bit scanned out. The scan order follows the pin-out order. In [Figure 29-3](#) on page 480, PXn. Data corresponds to FF0, PXn. Control corresponds to FF1, PXn. Bit 4, 5, 6 and 7 of Port F is not in the scan chain, since these pins constitute the TAP pins when the JTAG is enabled.

**Table 29-1. ATmega2564/1284/644RFR2 Boundary-Scan Order**

| Bit Number | Signal Name | Module | Bit Number  | Signal Name | Module   |
|------------|-------------|--------|-------------|-------------|--|
| 0          | PF1.Control | Port F | 36          | CLK1.Data   | Clock Input (Input Only)                         |
| 1          | PF1.Data    |        | 37          | PD7.Control | Port D   |
| 2          | PF0.Control |        | 38          | PD7.Data    |  |
| 3          | PF0.Data    | 39     | PD6.Control |             |  |
| 4          | PE7.Control | Port E | 40          | PD6.Data    |  |
| 5          | PE7.Data    |        | 41          | PD5.Control |  |
| 6          | PE6.Control |        | 42          | PD5.Data    |  |
| 7          | PE6.Data    |        | 43          | PD4.Control |  |
| 8          | PE5.Control |        | 44          | PD4.Data    |  |
| 9          | PE5.Data    |        | 45          | PD3.Control |  |
| 10         | PE4.Control |        | 46          | PD3.Data    |  |
| 11         | PE4.Data    |        | 47          | PD2.Control |  |
| 12         | PE3.Control |        | 48          | PD2.Data    |  |
| 13         | PE3.Data    |        | 49          | PD1.Control |  |
| 14         | PE2.Control |        | 50          | PD1.Data    |  |
| 15         | PE2.Data    |        | 51          | PD0.Control |  |
| 16         | PE1.Control |        | 52          | PD0.Data    |  |
| 17         | PE1.Data    |        | Port G      | 53          | PG5.Control                                      |
| 18         | PE0.Control |        |             | 54          | PG5.Data   |
| 19         | PE0.Data    | 55     |             | PG4.Control |  |
| 20         | PB7.Control | 56     |             | PG4.Data    |  |
| 21         | PB7.Data    | 57     |             | PG3.Control |  |
| 22         | PB6.Control | 58     |             | PG3.Data    |  |
| 23         | PB6.Data    | 59     |             | PG2.Control |  |
| 24         | PB5.Control | 60     |             | PG2.Data    |  |
| 25         | PB5.Data    | 61     |             | PG1.Control |  |
| 26         | PB4.Control | 62     |             | PG1.Data    |  |
| 27         | PB4.Data    | 63     |             | PG0.Control |  |
| 28         | PB3.Control | 64     |             | PG0.Data    |  |
| 29         | PB3.Data    | 65     |             | RSTON.Data  | Reset Logic Output (Output Only without Pull-up) |
| 30         | PB2.Control | 66     |             | RSTT.Data   | Reset Logic (Observe Only)                       |
| 31         | PB2.Data    | 67     |             | TST.Data    | Test and Programming Mode Enable (Observe Only)  |
| 32         | PB1.Control | Port F | 68          | PF3.Control |  |
| 33         | PB1.Data    |        | 69          | PF3.Data    |  |
| 34         | PB0.Control |        | 70          | PF2.Control |  |
| 35         | PB0.Data    |        | 71          | PF2.Data    |  |

## 30 Boot Loader Support – Read-While-Write Self-Programming

The Boot Loader Support provides a real Read-While-Write Self-Programming mechanism for downloading and uploading program code by the MCU itself. This feature allows flexible application software updates controlled by the MCU using a Flash-resident Boot Loader program. The Boot Loader program can use any available data interface and associated protocol to read code and write that (program) code into the Flash memory, or read the code from the program memory. The program code within the Boot Loader section has the capability to write into the entire Flash, including the Boot Loader memory. The Boot Loader can thus even modify itself (including erasing) from the code if the feature is not needed anymore. The size of the Boot Loader memory is configurable with fuses and the Boot Loader has two separate sets of Boot Lock bits which can be set independently. This gives the user a unique flexibility to select different levels of protection.

### 30.1 Features

- **Read-While-Write Self-Programming**
- **Flexible Boot Memory Size**
- **High Security (Separate Boot Lock Bits for a Flexible Protection)**
- **Separate Fuse to Select Reset Vector**
- **Optimized Page<sup>(1)</sup> Size**
- **Code Efficient Algorithm**
- **Efficient Read-Modify-Write Support**

Note: 1. A page is a section in the Flash consisting of several bytes (see ["Table 31-7" on page 505](#)) used during programming. The page organization does not affect normal operation.

### 30.2 Application and Boot Loader Flash Sections

The Flash memory is organized in two main sections: the Application section and the Boot Loader section (see [Figure 30-2 on page 487](#)). The size of the different sections is configured by the BOOTSZ Fuses as shown in [Table 30-7 on page 497](#) and [Figure 30-2 on page 487](#). These two sections can have different level of protection since they have different sets of Lock bits.

#### 30.2.1 Application Section

The Application section is the region of the Flash that is used for storing the application code. The protection level for the Application section can be selected by the application Boot Lock bits (Boot Lock bits 0, BLB0), see [Table 31-2 on page 502](#). The Application section can never store any Boot Loader code since the SPM instruction is disabled when executed from the Application section.

#### 30.2.2 BLS – Boot Loader Section

While the Application section is used for storing the application code, the Boot Loader software must be located in the BLS. The SPM instruction can only initiate programming when executed from the BLS. The SPM instruction can access the entire Flash, including the BLS itself. The protection level for the Boot Loader section can be selected by the Boot Loader Lock bits (Boot Lock bits 1, BLB1), see [Table 31-2 on page 502](#).

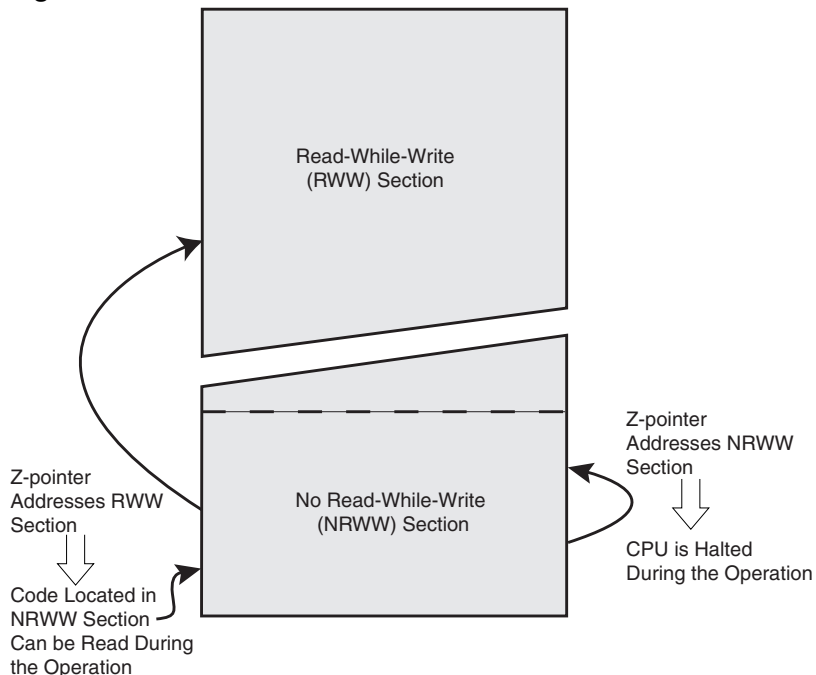
## 30.3 Read-While-Write and No Read-While-Write Flash Sections

Whether the CPU supports Read-While-Write or if the CPU is halted during a Boot Loader software update is dependent on the address that is being programmed. In addition to the two sections that are configurable by the BOOTSZ Fuses as described above, the Flash is also divided into two fixed sections, the Read-While-Write (RWW) section and the No Read-While-Write (NRWW) section. The limit between the RWW and NRWW sections is given in [Table 30-1 on page 487](#) and [Figure 30-1 below](#). The main differences between the two sections are:

- When erasing or writing a page located inside the RWW section, the NRWW section can be read during the operation.
- When erasing or writing a page located inside the NRWW section, the CPU is halted during the entire operation.

Note that the user software can never read any code that is located inside the RWW section during a Boot Loader software operation. The syntax “Read-While-Write section” refers to the section that is being programmed (erased or written) and not to the section that actually is being read during a Boot Loader software update.

**Figure 30-1.** Read-While-Write vs. No Read-While-Write



### 30.3.1 RWW – Read-While-Write Section

If a Boot Loader software update is programming a page inside the RWW section, it is possible to read code from the Flash, but only code that is located in the NRWW section. During an ongoing programming, the software must ensure that the RWW section never is being read. If the user software is trying to read code that is located inside the RWW section (i.e., by load program memory, call, or jump instructions or an interrupt) during programming, the software might end up in an unknown state. To avoid this, the interrupts should either be disabled or moved to the Boot Loader section. The Boot Loader section is always located in the NRWW section. The RWW Section Busy bit (RWWSB) in the Store Program Memory Control and Status Register (SPMCSR) will be read as logical one as long as the RWW section is blocked for reading. After a

programming is completed, the RWWSB must be cleared by software before reading code located in the RWW section. See ["SPMCSR – Store Program Memory Control Register"](#) on page 499 for details on how to clear RWWSB.

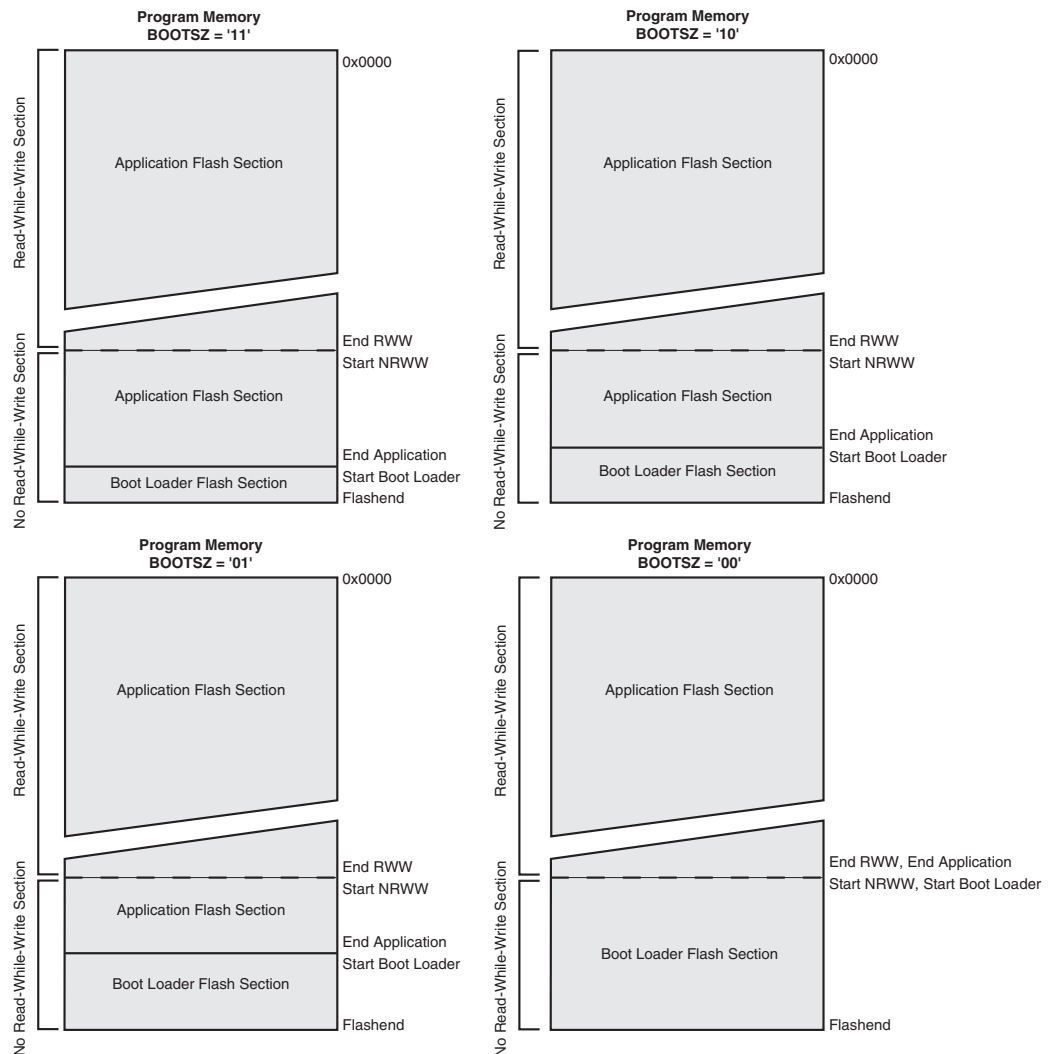
### 30.3.2 NRWW – No Read-While-Write Section

The code located in the NRWW section can be read when the Boot Loader software is updating a page in the RWW section. When the Boot Loader code updates the NRWW section, the CPU is halted during the entire Page Erase or Page Write operation.

**Table 30-1.** Read-While-Write Features

| Which Section does the Z-pointer Address during the Programming? | Which Section can be Read during Programming? | CPU Halted? | Read-While-Write Supported? |
|--|---|-------------|-----------------------------|
| RWW Section  | NRWW Section                                  | No          | Yes                         |
| NRWW Section   | None  | Yes         | No                          |

**Figure 30-2.** Memory Sections



Note: 1. The parameters in the figure above are given in [Table 30-7](#) on page 497.

## 30.4 Boot Loader Lock Bits

If no Boot Loader capability is needed, the entire Flash is available for application code. The Boot Loader has two separate sets of Boot Lock bits which can be set independently. This gives the user a unique flexibility to select different levels of protection.

The user can select:

- To protect the entire Flash from a software update by the MCU.
- To protect only the Boot Loader Flash section from a software update by the MCU.
- To protect only the Application Flash section from a software update by the MCU.
- Allow software update in the entire Flash.

See [Table 31-2 on page 502](#) for further details. The Boot Lock bits can be set in software and in Serial or Parallel Programming mode, but they can be cleared by a Chip Erase command only. The general Write Lock (Lock Bit mode 2) does not control the programming of the Flash memory by SPM instruction. Similarly, the general Read/Write Lock (Lock Bit mode 1) does not control reading nor writing by (E)LPM/SPM, if it is attempted.

### 30.4.1 Entering the Boot Loader Program

Entering the Boot Loader takes place by a jump or call from the application program. This may be initiated by a trigger such as a command received via USART, or SPI interface. Alternatively, the Boot Reset Fuse can be programmed so that the Reset Vector is pointing to the Boot Flash start address after a reset. In this case, the Boot Loader is started after a reset. After the application code is loaded, the program can start executing the application code. Note that the fuses cannot be changed by the MCU itself. This means that once the Boot Reset Fuse is programmed, the Reset Vector will always point to the Boot Loader Reset and the fuse can only be changed through the serial or parallel programming interface.

**Table 30-2.** Boot Reset Fuse<sup>(1)</sup>

| BOOTRST | Reset Address  |
|---------|--|
| 1       | Reset Vector = Application Reset (address 0x0000)                              |
| 0       | Reset Vector = Boot Loader Reset (see <a href="#">Table 30-7 on page 497</a> ) |

Note: 1. "1" means unprogrammed, "0" means programmed

## 30.5 Addressing the Flash During Self-Programming

The Z-pointer is used to address the SPM commands. The Z pointer consists of the Z-registers ZL and ZH in the register file, and RAMPZ in the I/O space. The number of bits actually used is implementation dependent. Note that the RAMPZ register is only implemented when the program space is larger than 64K bytes.

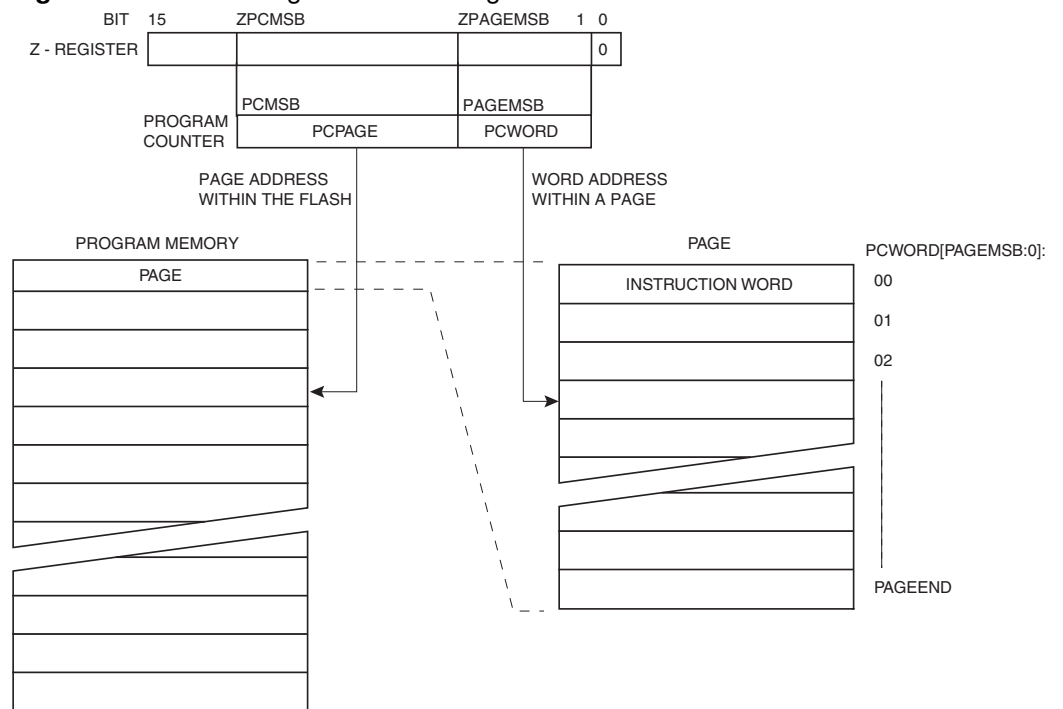
|          |     |     |     |     |     |     |        |        |
|----------|-----|-----|-----|-----|-----|-----|--------|--------|
| Bit      | 23  | 22  | 21  | 20  | 19  | 18  | 17     | 16     |
|          | 15  | 14  | 13  | 12  | 11  | 10  | 9      | 8      |
| RAMPZ    |     |     |     |     |     |     | RAMPZ1 | RAMPZ0 |
| ZH (R31) | Z15 | Z14 | Z13 | Z12 | Z11 | Z10 | Z9     | Z8     |
| ZL (R30) | Z7  | Z6  | Z5  | Z4  | Z3  | Z2  | Z1     | Z0     |
|          | 7   | 6   | 5   | 4   | 3   | 2   | 1      | 0      |



Since the Flash is organized in pages (see "Table 31-7" on page 505), the Program Counter can be treated as having two different sections. One section, consisting of the least significant bits, is addressing the words within a page, while the most significant bits are addressing the pages. This is shown in Figure 30-3 below. Note that the Page Erase and Page Write operations are addressed independently. Therefore it is of major importance that the Boot Loader software addresses the same page in both the Page Erase and Page Write operation. Once a programming operation is initiated, the address is latched and the Z-pointer can be used for other operations.

The (E)LPM instruction uses the Z-pointer to store the address. Since this instruction addresses the Flash byte-by-byte, also bit Z0 of the Z-pointer is used.

**Figure 30-3.** Addressing the Flash during SPM



Note: 1. The different variables used in Figure 30-3 above are listed in Table 30-6 on page 496.

## 30.6 Self-Programming the Flash

The program memory is updated in a page by page fashion. Before programming a page with the data stored in the temporary page buffer, the page must be erased. The temporary page buffer is filled one word at a time using SPM. The buffer must be filled before the Page Write command.

Required sequence for self-programming the Flash:

- Perform a Page Erase,
- Fill temporary page buffer,
- Perform a Page Write;

If only a part of the page needs to be changed, the rest of the page must be stored before the erase, and then be rewritten. The temporary page buffer can be accessed in a random sequence. It is essential that the page address used in both the Page Erase

and Page Write operation is addressing the same page. For an assembly code example see ["Simple Assembly Code Example for a Boot Loader" on page 494](#).

### 30.6.1 Performing Page Erase by SPM

To execute Page Erase, set up the address in the Z-pointer, write "X0000011" to SPMCSR and execute SPM within four clock cycles after writing SPMCSR. The data in R1 and R0 is ignored. The page address must be written to PCPAGE in the Z-register. Other bits in the Z-pointer will be ignored during this operation.

- Page Erase to the RWW section: The NRWW section can be read during the Page Erase.
- Page Erase to the NRWW section: The CPU is halted during the operation.

### 30.6.2 Filling the Temporary Buffer (Page Loading)

To write an instruction word, set up the address in the Z-pointer and data in R1:R0, write "00000001" to SPMCSR and execute SPM within four clock cycles after writing SPMCSR. The content of PCWORD in the Z-register is used to address the data in the temporary buffer. The temporary buffer will be auto-erased after a Page Write operation or by writing the RWWSRE bit in SPMCSR. It is also erased after a system reset. Note that it is not possible to write more than one time to each address without erasing the temporary buffer.

If the EEPROM is written in the middle of an SPM Page Load operation, all data loaded is still buffered.

### 30.6.3 Performing a Page Write

To execute Page Write, set up the address in the Z-pointer, write "X0000101" to SPMCSR and execute SPM within four clock cycles after writing SPMCSR. The data in R1 and R0 is ignored. The page address must be written to PCPAGE. Other bits in the Z-pointer must be written to zero during this operation.

- Page Write to the RWW section: The NRWW section can be read during the Page Write.
- Page Write to the NRWW section: The CPU is halted during the operation.

### 30.6.4 Using the SPM Interrupt

If the SPM interrupt is enabled, the SPM interrupt will generate a constant interrupt when the SP MEN bit in SPMCSR is cleared. This means that the interrupt can be used instead of polling the SPMCSR Register in software. When using the SPM interrupt, the Interrupt Vectors should be moved to the BLS section to avoid that an interrupt is accessing the RWW section when it is blocked for reading. How to move the interrupts is described in ["Interrupts" on page 241](#).

### 30.6.5 Consideration While Updating BLS

Special care must be taken if the user allows the Boot Loader section to be updated by leaving Boot Lock bit11 un-programmed. An accidental write to the Boot Loader itself can corrupt the entire Boot Loader, and further software updates might be impossible. If it is not necessary to change the Boot Loader software itself, it is recommended to program the Boot Lock bit11 to protect the Boot Loader software from any internal software changes.

## 30.6.6 Prevent Reading the RWW Section During Self-Programming

During Self-Programming (either Page Erase or Page Write), the RWW section is always blocked for reading. The user software itself must prevent that this section is addressed during the self programming operation. The RWWSB in the SPMCSR will be set as long as the RWW section is busy. During Self-Programming the Interrupt Vector table should be moved to the BLS as described in ["Interrupts" on page 241](#), or the interrupts must be disabled. Before addressing the RWW section after the programming is completed, the user software must clear the RWWSB by writing the RWWSRE. See ["Simple Assembly Code Example for a Boot Loader" on page 494](#) for an example.

## 30.6.7 Setting the Boot Loader Lock Bits by SPM

To set the Boot Loader Lock bits and general Lock bits, write the desired data to R0, write "X0001001" to SPMCSR and execute SPM within four clock cycles after writing SPMCSR.

| Bit | 7 | 6 | 5     | 4     | 3     | 2     | 1   | 0   |
|-----|---|---|-------|-------|-------|-------|-----|-----|
| R0  | 1 | 1 | BLB12 | BLB11 | BLB02 | BLB01 | LB2 | LB1 |

See [Table 31-2 on page 502](#) for how the different settings of the Boot Loader bits affect the Flash access.

If bits 5:0 in R0 are cleared (zero), the corresponding Lock bit will be programmed if an SPM instruction is executed within four cycles after BLBSET and SPMEN are set in SPMCSR. The Z-pointer is don't care during this operation, but for future compatibility it is recommended to load the Z-pointer with 0x0001 (same as used for reading the Lock bits). For future compatibility it is also recommended to set bits 7 and 6 in R0 to "1" when writing the Lock bits. When programming the Lock bits the entire Flash can be read during the operation.

## 30.6.8 EEPROM Write Prevents Writing to SPMCSR

Note that an EEPROM write operation will block all software programming to Flash. Reading the Signature Row, Fuses and Lock bits from software will also be prevented during the EEPROM write operation. It is recommended that the user checks the status bit (EPE) in the EECR Register and verifies that the bit is cleared before writing to the SPMCSR Register.

## 30.6.9 Reading the Fuse and Lock Bits from Software

It is possible to read both the Fuse and Lock bits from software. To read the Lock bits, load the Z-pointer with 0x0001 and set the BLBSET and SPMEN bits in SPMCSR. When an (E)LPM instruction is executed within three CPU cycles after the BLBSET and SPMEN bits are set in SPMCSR, the value of the Lock bits will be loaded in the destination register. The BLBSET and SPMEN bits will auto-clear upon completion of reading the Lock bits or if no (E)LPM instruction is executed within three CPU cycles or no SPM instruction is executed within four CPU cycles. When BLBSET and SPMEN are cleared, (E)LPM will work as described in the Instruction Set Manual.

| Bit | 7 | 6 | 5     | 4     | 3     | 2     | 1   | 0   |
|-----|---|---|-------|-------|-------|-------|-----|-----|
| Rd  | - | - | BLB12 | BLB11 | BLB02 | BLB01 | LB2 | LB1 |

The algorithm for reading the Fuse Low byte is similar to the one described above for reading the Lock bits. To read the Fuse Low byte, load the Z-pointer with 0x0000 and set the BLBSET and SPMEN bits in SPMCSR. When an (E)LPM instruction is executed within three cycles after the BLBSET and SPMEN bits are set in the SPMCSR, the value of the Fuse Low byte (FLB) will be loaded in the destination register as shown on

the next page. Refer to (see ["Table 31-5" on page 504](#)) for a detailed description and mapping of the Fuse Low byte.

|     |      |      |      |      |      |      |      |      |
|-----|------|------|------|------|------|------|------|------|
| Bit | 7    | 6    | 5    | 4    | 3    | 2    | 1    | 0    |
| Rd  | FLB7 | FLB6 | FLB5 | FLB4 | FLB3 | FLB2 | FLB1 | FLB0 |

Similarly, load 0x0003 in the Z-pointer for reading the Fuse High byte. When an (E)LPM instruction is executed within three cycles after the BLBSET and SPEN bits are set in the SPMCSR, the value of the Fuse High byte (FHB) will be loaded in the destination register as shown below. Refer to ["Table 31-4" on page 503](#) for detailed description and mapping of the Fuse High byte.

|     |      |      |      |      |      |      |      |      |
|-----|------|------|------|------|------|------|------|------|
| Bit | 7    | 6    | 5    | 4    | 3    | 2    | 1    | 0    |
| Rd  | FHB7 | FHB6 | FHB5 | FHB4 | FHB3 | FHB2 | FHB1 | FHB0 |

Load 0x0002 in the Z-pointer for reading the Extended Fuse byte. When an (E)LPM instruction is executed within three cycles after the BLBSET and SPEN bits are set in the SPMCSR, the value of the Extended Fuse byte (EFB) will be loaded in the destination register as shown below. Refer to [Table 31-3 on page 503](#) for detailed description and mapping of the Extended Fuse byte.

|     |   |   |   |   |   |      |      |      |
|-----|---|---|---|---|---|------|------|------|
| Bit | 7 | 6 | 5 | 4 | 3 | 2    | 1    | 0    |
| Rd  | - | - | - | - | - | EFB2 | EFB1 | EFB0 |

Fuse and Lock bits that are programmed will be read as zero. Fuse and Lock bits that are un-programmed will be read as one.

### 30.6.10 Reading the Signature Row from Software

To read the Signature Row from software, load the Z-pointer with the signature byte address given in [Table 30-3 on page 493](#) and set the SIGRD and SPEN bits in SPMCSR. When a LPM instruction is executed within three CPU cycles after the SIGRD and SPEN bits are set in SPMCSR, the signature byte value will be loaded in the destination register. The SIGRD and SPEN bits will auto-clear upon completion of reading the Signature Row or if no LPM instruction is executed within three CPU cycles. Write access to the register SPMCSR is blocked during the three CPU cycles.

When SIGRD and SPEN are cleared, LPM will work as described in the Instruction Set Manual. The Signature Row cannot be read during an EEPROM write/erase operation.

#### Assembly Code Example

```

; - The routine reads the three device signature bytes.
; - At the end the device signature bytes are stored in the CPU
;   register r3, r4 and r5.
; - the nop statements can be replaced by any other statements as
;   long as the blocking condition (respective time) of SPMCSR is
;   respected.

ldi  r16, (1<<SIGRD)|(1<<SPEN)
out  SPMCSR, r16
lpm  r3, Z+          ; read Signature
nop
nop
nop

```

| Assembly Code Example |   |
|-----------------------|---|
| <code>out</code>      | <code>SPMCSR, r16 ; write SPMCSR</code> |
| <code>lpm</code>      | <code>r4, Z+</code>                     |
|                       | <code>nop</code>                        |
|                       | <code>nop</code>                        |
|                       | <code>nop</code>                        |
| <code>out</code>      | <code>SPMCSR, r16 ; write SPMCSR</code> |
| <code>lpm</code>      | <code>r5, Z+</code>                     |

**Table 30-3.** Signature Row Addressing

| Signature Byte                 | Z-Pointer Address <sup>(1)</sup> |
|--------------------------------|----------------------------------|
| Device Signature Byte 1        | 0x0000                           |
| Device Signature Byte 2        | 0x0002                           |
| Device Signature Byte 3        | 0x0004                           |
| RC Oscillator Calibration Byte | 0x0001                           |
| User Signature Data – Page 1   | 0x0100 – 0x01FF                  |
| User Signature Data – Page 2   | 0x0200 – 0x02FF                  |
| User Signature Data – Page 3   | 0x0300 – 0x03FF                  |

Note: 1. All other addresses are reserved for future use.

### 30.6.11 Preventing Flash Corruption

During periods of  $V_{DEVDD} < 1.8V$ , the Flash program can be corrupted because the supply voltage is too low for the CPU and the Flash to operate properly. These issues are the same as for board level systems using Flash, and the same design solutions should be applied.

A Flash program corruption can be caused by two situations when the voltage is too low. First, a regular write sequence to the Flash requires a minimum voltage to operate correctly. Secondly, the CPU itself can execute instructions incorrectly, if the supply voltage for executing instructions is too low.

Flash corruption can easily be avoided by following these design recommendations (one is sufficient):

1. If there is no need for a Boot Loader update in the system, program the Boot Loader Lock bits to prevent any Boot Loader software updates.
2. Keep the AVR RESET active (low) during periods of insufficient power supply voltage. This can be done by enabling the internal Brown-out Detector (BOD) if the operating voltage matches the detection level. If not, an external low  $V_{DEVDD}$  reset protection circuit can be used. If a reset occurs while a write operation is in progress, the write operation will be completed under the condition that the power supply voltage is sufficient.
3. Keep the AVR core in Power-down sleep mode during periods of low  $V_{DEVDD}$ . This will prevent the CPU from attempting to decode and execute instructions, effectively protecting the SPMCSR Register and thus the Flash from unintentional writes.

### 30.6.12 Programming Time for Flash when Using SPM

The calibrated RC Oscillator is used to time Flash accesses. [Table 30-4 below](#) shows the typical programming time for Flash accesses from the CPU.

**Table 30-4.** SPM Programming Time

| Symbol   | Min Programming Time | Max Programming Time |
|--|----------------------|----------------------|
| Flash write (Page Write, and write Lock bits by SPM) | 3.7 ms               | 4.5 ms               |
| Flash write (Page Erase)                             | 7.3 ms               | 8.9 ms               |

### 30.6.13 Simple Assembly Code Example for a Boot Loader

| Assembly Code Example <sup>(1)</sup>   |
|--|
| <pre> ;-the routine writes one page of data from RAM to Flash ; the first data location in RAM is pointed to by the Y pointer ; the first data location in Flash is pointed to by the Z-pointer ;-error handling is not included ;-the routine must be placed inside the Boot space ; (at least the Do_spm sub routine). Only code inside NRWW section ; can be read during Self-Programming (Page Erase and Page Write). ;-registers used: r0, r1, temp1 (r16), temp2 (r17), looplo (r24), ; loophi (r25), spmcrcval (r20) ; storing and restoring of registers is not included in the routine ; register usage can be optimized at the expense of code size ;-It is assumed that either the interrupt table is moved to the ; Boot loader section or that the interrupts are disabled. .equ PAGESIZEB=PAGESIZE*2 ;PAGESIZEB is page in BYTES, not words .org SMALLBOOTSTART Write_page: ; Page Erase ldi spmcrcval, (1&lt;&lt;PGERS)   (1&lt;&lt;SPMEN) call Do_spm ; re-enable the RWW section ldi spmcrcval, (1&lt;&lt;RWWSRE)   (1&lt;&lt;SPMEN) call Do_spm ; transfer data from RAM to Flash page buffer ldi looplo, low(PAGESIZEB) ;init loop variable ldi loophi, high(PAGESIZEB) ;not required for PAGESIZEB&lt;=256 Wrloop: ld r0, Y+ ld r1, Y+ ldi spmcrcval, (1&lt;&lt;SPMEN) call Do_spm adiw ZH:ZL, 2 sbiw loophi:looplo, 2 ;use subi for PAGESIZEB&lt;=256 brne Wrloop ; execute Page Write </pre> |

## Assembly Code Example<sup>(1)</sup>

```

subi ZL, low(PAGESIZEB)      ;restore pointer
sbci ZH, high(PAGESIZEB)     ;not required for PAGESIZEB<=256
ldi spmcrval, (1<<PGWRT) | (1<<SPMEN)
call Do_spm

; re-enable the RWW section
ldi spmcrval, (1<<RWWSRE) | (1<<SPMEN)
call Do_spm

; read back and check, optional
ldi looplo, low(PAGESIZEB)   ;init loop variable
ldi loophi, high(PAGESIZEB)  ;not required for PAGESIZEB<=256
subi YL, low(PAGESIZEB)      ;restore pointer
sbci YH, high(PAGESIZEB)

Rdloop:
elpm r0, Z+
ld r1, Y+
cpse r0, r1
jmp Error
sbiw loophi:looplo, 1        ;use sbi for PAGESIZEB<=256
brne Rdloop

; return to RWW section
; verify that RWW section is safe to read

Return:
in temp1, SPMCSR

; If RWWSB is set, the RWW section is not ready yet
sbrs temp1, RWWSB
ret

; re-enable the RWW section
ldi spmcrval, (1<<RWWSRE) | (1<<SPMEN)
call Do_spm
rjmp Return

Do_spm:
; check for previous SPM complete

Wait_spm:
in temp1, SPMCSR
sbrc temp1, SP MEN
rjmp Wait_spm

; input: spmcrval determines SPM action
; disable interrupts if enabled, store status
in temp2, SREG
cli

; check that no EEPROM write access is present

Wait_ee:
sbic EECR, EEPE
rjmp Wait_ee

```

## Assembly Code Example<sup>(1)</sup>

```

; SPM timed sequence
out SPMCSR, spmcrval
spm
; restore SREG (to enable interrupts if originally enabled)
out SREG, temp2
ret
    
```

Notes: 1. See ["About Code Examples" on page 8](#).

### 30.6.14 Boot Loader Parameters for 64 kByte of Flash Memory

In [Table 30-5 below](#) through [Table 30-7 on page 497](#), the parameters used in the description of the Self-Programming are given.

**Table 30-5.** Read-While-Write Limit with 64 kByte of Flash Memory

| Section <sup>(1)</sup>             | Pages | Address         |
|------------------------------------|-------|-----------------|
| Read-While-Write section (RWW)     | 224   | 0x0000 – 0x6FFF |
| No Read-While-Write section (NRWW) | 32    | 0x7000 – 0x7FFF |

Note: 1. For details about these two sections see ["NRWW – No Read-While-Write Section" on page 487](#).

**Table 30-6.** Explanation of different variables used in [Figure 30-3 on page 489](#) and the mapping to the Z-pointer for 64 kByte of Flash Memory

| Variable | Value    | Corresponding Z-value <sup>(2)</sup> | Description <sup>(1)</sup>  |
|----------|----------|--------------------------------------|---|
| PCMSB    | 14       |                                      | Most significant bit in the Program Counter. (The Program Counter is 16 bits PC[15:0])                                      |
| PAGEMSB  | 6        |                                      | Most significant bit which is used to address the words within one page (128 words in a page requires seven bits PC [6:0]). |
| ZPCMSB   |          | Z15                                  | Bit in Z-pointer that is mapped to PCMSB. Because Z0 is not used, the ZPCMSB equals PCMSB + 1.                              |
| ZPAGEMSB |          | Z7                                   | Bit in Z-pointer that is mapped to PCMSB. Because Z0 is not used; the ZPAGEMSB equals PAGEMSB + 1.                          |
| PCPAGE   | PC[14:7] | Z15:Z8                               | Program Counter page address: Page select, for Page Erase and Page Write.   |
| PCWORD   | PC[6:0]  | Z7:Z1                                | Program Counter word address: Word select, for filling temporary buffer (must be zero during Page Write operation)          |

Notes: 1. Z0: should be zero for all SPM commands, byte select for the (E)LPM instruction.  
 2. See ["Addressing the Flash During Self-Programming" on page 488](#) for details about the use of Z-pointer during Self-Programming.



**Table 30-7. Boot Size Configuration with 64 kByte of Flash Memory<sup>(1)</sup>**

| BOOTSZ1 | BOOTSZ0 | Boot Size  | Pages | Application Flash Section | Boot Loader Flash Section | End Application Section | Boot Reset Address (Start Boot Loader Section) |
|---------|---------|------------|-------|---------------------------|---------------------------|-------------------------|--|
| 1       | 1       | 512 words  | 4     | 0x0000 – 0x7DFF           | 0x7E00 – 0x7FFF           | 0x7DFF                  | 0x7E00   |
| 1       | 0       | 1024 words | 8     | 0x0000 – 0x7BFF           | 0x7C00 – 0x7FFF           | 0x7BFF                  | 0x7C00   |
| 0       | 1       | 2048 words | 16    | 0x0000 – 0x77FF           | 0x7800 – 0x7FFF           | 0x77FF                  | 0x7800   |
| 0       | 0       | 4096 words | 32    | 0x0000 – 0x6FFF           | 0x7000 – 0x7FFF           | 0x6FFF                  | 0x7000   |

Note: 1. The different BOOTSZ Fuse configurations are shown in [Figure 30-2 on page 487](#).

### 30.6.15 Boot Loader Parameters for 128 kByte of Flash Memory

In [Table 30-8 below](#) through [Table 30-10 on page 498](#), the parameters used in the description of the Self-Programming are given.

**Table 30-8. Read-While-Write Limit with 128 kByte of Flash Memory**

| Section <sup>(1)</sup>             | Pages | Address         |
|------------------------------------|-------|-----------------|
| Read-While-Write section (RWW)     | 480   | 0x0000 – 0xEFFF |
| No Read-While-Write section (NRWW) | 32    | 0xF000 – 0xFFFF |

Note: 1. For details about these two sections see "[NRWW – No Read-While-Write Section](#)" on page 487.

**Table 30-9.** Explanation of different variables used in [Figure 30-3 on page 489](#) and the mapping to the Z-pointer for 128 kByte of Flash Memory

| Variable | Value    | Corresponding Z-value <sup>(2)</sup> | Description <sup>(1)</sup>  |
|----------|----------|--------------------------------------|---|
| PCMSB    | 15       |                                      | Most significant bit in the Program Counter. (The Program Counter is 16 bits PC[15:0])                                      |
| PAGEMSB  | 6        |                                      | Most significant bit which is used to address the words within one page (128 words in a page requires seven bits PC [6:0]). |
| ZPCMSB   |          | Z16 <sup>(3)</sup>                   | Bit in Z-pointer that is mapped to PCMSB. Because Z0 is not used, the ZPCMSB equals PCMSB + 1.                              |
| ZPAGEMSB |          | Z7                                   | Bit in Z-pointer that is mapped to PCMSB. Because Z0 is not used; the ZPAGEMSB equals PAGEMSB + 1.                          |
| PCPAGE   | PC[15:7] | Z16 <sup>(3)</sup> :Z8               | Program Counter page address: Page select, for Page Erase and Page Write.   |

| Variable | Value   | Corresponding Z-value <sup>(2)</sup> | Description <sup>(1)</sup>   |
|----------|---------|--------------------------------------|--|
| PCWORD   | PC[6:0] | Z7:Z1                                | Program Counter word address: Word select, for filling temporary buffer (must be zero during Page Write operation) |

- Notes:
1. Z0: should be zero for all SPM commands, byte select for the (E)LPM instruction.
  2. See "Addressing the Flash During Self-Programming" on page 488 for details about the use of Z-pointer during Self-Programming.
  3. The Z-register is only 16 bits wide. Bit 16 is located in the RAMPZ register in the I/O map.

**Table 30-10.** Boot Size Configuration with 128 kByte of Flash Memory<sup>(1)</sup>

| BOOTSZ1 | BOOTSZ0 | Boot Size  | Pages | Application Flash Section | Boot Loader Flash Section | End Application Section | Boot Reset Address (Start Boot Loader Section) |
|---------|---------|------------|-------|---------------------------|---------------------------|-------------------------|--|
| 1       | 1       | 512 words  | 4     | 0x0000 – 0xFDFE           | 0xFE00 – 0xFFFF           | 0xFDFE                  | 0xFE00   |
| 1       | 0       | 1024 words | 8     | 0x0000 – 0xFBFF           | 0xFC00 – 0xFFFF           | 0xFBFF                  | 0xFC00   |
| 0       | 1       | 2048 words | 16    | 0x0000 – 0xF7FF           | 0xF800 – 0xFFFF           | 0xF7FF                  | 0xF800   |
| 0       | 0       | 4096 words | 32    | 0x0000 – 0xEFFF           | 0xF000 – 0xFFFF           | 0xEFFF                  | 0xF000   |

Note: 1. The different BOOTSZ Fuse configurations are shown in Figure 30-2 on page 487.

### 30.6.16 Boot Loader Parameters for 256 kByte of Flash Memory

In Table 30-11 below through Table 30-13 on page 499, the parameters used in the description of the Self-Programming are given.

**Table 30-11.** Read-While-Write Limit with 256 kByte of Flash Memory

| Section <sup>(1)</sup>             | Pages | Address           |
|------------------------------------|-------|-------------------|
| Read-While-Write section (RWW)     | 992   | 0x00000 – 0x1EFFF |
| No Read-While-Write section (NRWW) | 32    | 0x1F000 – 0x1FFFF |

Note: 1. For details about these two sections see "NRWW – No Read-While-Write Section" on page 487.

**Table 30-12.** Explanation of different variables used in Figure 30-3 on page 489 and the mapping to the Z-pointer for 256 kByte of Flash Memory

| Variable | Value | Corresponding Z-value <sup>(2)</sup> | Description <sup>(1)</sup>  |
|----------|-------|--------------------------------------|---|
| PCMSB    | 16    |                                      | Most significant bit in the Program Counter. (The Program Counter is 16 bits PC[15:0])                                      |
| PAGEMSB  | 6     |                                      | Most significant bit which is used to address the words within one page (128 words in a page requires seven bits PC [6:0]). |

| Variable | Value    | Corresponding Z-value <sup>(2)</sup> | Description <sup>(1)</sup>   |
|----------|----------|--------------------------------------|--|
| ZPCMSB   |          | Z17:Z16 <sup>(3)</sup>               | Bit in Z-pointer that is mapped to PCMSB. Because Z0 is not used, the ZPCMSB equals PCMSB + 1.                     |
| ZPAGEMSB |          | Z7                                   | Bit in Z-pointer that is mapped to PCMSB. Because Z0 is not used; the ZPAGEMSB equals PAGEMSB + 1.                 |
| PCPAGE   | PC[16:7] | Z17 <sup>(3)</sup> :Z8               | Program Counter page address: Page select, for Page Erase and Page Write.  |
| PCWORD   | PC[6:0]  | Z7:Z1                                | Program Counter word address: Word select, for filling temporary buffer (must be zero during Page Write operation) |

- Notes:
1. Z0: should be zero for all SPM commands, byte select for the (E)LPM instruction.
  2. See "Addressing the Flash During Self-Programming" on page 488 for details about the use of Z-pointer during Self-Programming.
  3. The Z-register is only 16 bits wide. Bit [17:16] are located in the RAMPZ register in the I/O map.

**Table 30-13.** Boot Size Configuration with 256 kByte of Flash Memory<sup>(1)</sup>

| BOOTSZ1 | BOOTSZ0 | Boot Size  | Pages | Application Flash Section | Boot Loader Flash Section | End Application Section | Boot Reset Address (Start Boot Loader Section) |
|---------|---------|------------|-------|---------------------------|---------------------------|-------------------------|--|
| 1       | 1       | 512 words  | 4     | 0x00000 – 0x1FDFF         | 0x1FE00 – 0x1FFFF         | 0x1FDFF                 | 0x1FE00  |
| 1       | 0       | 1024 words | 8     | 0x00000 – 0x1FBFF         | 0x1FC00 – 0x1FFFF         | 0x1FBFF                 | 0x1FC00  |
| 0       | 1       | 2048 words | 16    | 0x00000 – 0x1F7FF         | 0x1F800 – 0x1FFFF         | 0x1F7FF                 | 0x1F800  |
| 0       | 0       | 4096 words | 32    | 0x00000 – 0x1EFFF         | 0x1F000 – 0x1FFFF         | 0x1EFFF                 | 0x1F000  |

- Note: 1. The different BOOTSZ Fuse configurations are shown in Figure 30-2 on page 487.

## 30.7 Register Description

### 30.7.1 SPMCSR – Store Program Memory Control Register

|               |  |       |        |        |       |       |       |    |       |       |       |        |        |       |       |       |        |
|---------------|--|-------|--------|--------|-------|-------|-------|----|-------|-------|-------|--------|--------|-------|-------|-------|--------|
| Bit           | 7  | 6     | 5      | 4      | 3     | 2     | 1     | 0  |       |       |       |        |        |       |       |       |        |
| \$37 (\$57)   | <table border="1"> <tr> <td>SPMIE</td> <td>RWWSB</td> <td>SIGRD</td> <td>RWWSRE</td> <td>BLBSET</td> <td>PGWRT</td> <td>PGERS</td> <td>SPMEN</td> </tr> </table> |       |        |        |       |       |       |    | SPMIE | RWWSB | SIGRD | RWWSRE | BLBSET | PGWRT | PGERS | SPMEN | SPMCSR |
| SPMIE         | RWWSB  | SIGRD | RWWSRE | BLBSET | PGWRT | PGERS | SPMEN |    |       |       |       |        |        |       |       |       |        |
| Read/Write    | RW   | R     | RW     | RW     | RW    | RW    | RW    | RW |       |       |       |        |        |       |       |       |        |
| Initial Value | 0  | 0     | 0      | 0      | 0     | 0     | 0     | 0  |       |       |       |        |        |       |       |       |        |

The Store Program Memory Control Register contains the control bits needed to control the Boot Loader operations. Note: Only one SPM instruction should be active at any time.

- **Bit 7 – SPMIE - SPM Interrupt Enable**

When the SPMIE bit is written to one, and the I-bit in the Status Register is set (one), the SPM ready interrupt will be enabled. The SPM ready Interrupt will be executed as long as the SPMEN bit in the SPMCR register is cleared.

- **Bit 6 – RWWSB - Read While Write Section Busy**

When a self-programming (page erase or page write) operation to the RWW section is initiated, the RWWSB will be set (one) by hardware. When the RWWSB bit is set, the RWW section cannot be accessed. The RWWSB bit will be cleared if the RWWSRE bit is written to one after a self-programming operation is completed. Alternatively the RWWSB bit will automatically be cleared if a page load operation is initiated.

- **Bit 5 – SIGRD - Signature Row Read**

If this bit is written to one at the same time as SPMEN, the next LPM instruction within three clock cycles will read a byte from the signature row into the destination register. A SPM instruction within four cycles after SIGRD and SPMEN are set, will have no effect. This operation is reserved for future use and should not be used.

- **Bit 4 – RWWSRE - Read While Write Section Read Enable**

When programming (page erase or page write) to the RWW section, the RWW section is blocked for reading (the RWWSB will be set by hardware). To re-enable the RWW section, the user software must wait until the programming is completed (SPMEN will be cleared). Then, if the RWWSRE bit is written to one at the same time as SPMEN, the next SPM instruction within four clock cycles re-enables the RWW section. The RWW section cannot be re-enabled while the Flash is busy with a page erase or a page write (SPMEN is set). If the RWWSRE bit is written while the Flash is being loaded, the Flash load operation will abort and the data loaded will be lost.

- **Bit 3 – BLBSET - Boot Lock Bit Set**

If this bit is written to one at the same time as SPMEN, the next SPM instruction within four clock cycles sets Boot Lock bits, according to the data in R0. The data in R1 and the address in the Z pointer are ignored. The BLBSET bit will automatically be cleared upon completion of the lock bit set, or if no SPM instruction is executed within four clock cycles. A LPM instruction within three cycles after BLBSET and SPMEN are set in the SPMCR register, will read either the Lock-bits or the Fuse bits (depending on Z0 in the Z pointer) into the destination register.

- **Bit 2 – PGWRT - Page Write**

If this bit is written to one at the same time as SPMEN, the next SPM instruction within four clock cycles executes page write, with the data stored in the temporary buffer. The page address is taken from the high part of the Z pointer. The data in R1 and R0 are ignored. The PGWRT bit will auto-clear upon completion of a page write, or if no SPM instruction is executed within four clock cycles. The CPU is halted during the entire page write operation if the NRWW section is addressed.

- **Bit 1 – PGERS - Page Erase**

If this bit is written to one at the same time as SPMEN, the next SPM instruction within four clock cycles executes page erase. The page address is taken from the high part of the Z pointer. The data in R1 and R0 are ignored. The PGERS bit will auto-clear upon completion of a page erase, or if no SPM instruction is executed within four clock cycles. The CPU is halted during the entire page write operation if the NRWW section is addressed.

- **Bit 0 – SPMEN - Store Program Memory Enable**

This bit enables the SPM instruction for the next four clock cycles. If written to one together with either RWWSRE, BLB-SET, PGWRT or PGERS, the following SPM

instruction will have a special meaning, see description above. If only SPMEN is written, the following SPM instruction will store the value in R1:R0 in the temporary page buffer addressed by the Z pointer. The LSB of the Z pointer is ignored. The SPMEN bit will auto-clear upon completion of an SPM instruction, or if no SPM instruction is executed within four clock cycles. During page erase and page write, the SPMEN bit remain high until the operation is completed. Writing any other combination than "10001", "01001", "00101", "00011" or "00001" in the lower five bits will have no effect.

### 30.7.2 NEMCR – Flash Extended-Mode Control-Register

|               |              |              |              |              |              |              |              |              |              |
|---------------|--------------|--------------|--------------|--------------|--------------|--------------|--------------|--------------|--------------|
| Bit           | 7            | 6            | 5            | 4            | 3            | 2            | 1            | 0            |              |
| NA (\$75)     | <b>Resx7</b> | <b>ENEAM</b> | <b>AEAM1</b> | <b>AEAM0</b> | <b>Resx3</b> | <b>Resx2</b> | <b>Resx1</b> | <b>Resx0</b> | <b>NEMCR</b> |
| Read/Write    | RW           | RW           | RW           | RW           | RW           | RW           | RW           | RW           |              |
| Initial Value | 0            | 0            | 0            | 0            | 1            | 0            | 1            | 0            |              |

The Flash Extended-Mode Control-Register handles the extended address-mode of the extra rows.

- **Bit 7 – Resx7 - Reserved**
- **Bit 6 – ENEAM - Enable Extended Address Mode for Extra Rows**

When active high, the extended address mode of the extra rows is enabled. The address is decoded from bits AEAM1:0 of this register.

- **Bit 5:4 – AEAM1:0 - Address for Extended Address Mode of Extra Rows**

These bits are only used when bit ENEAM of this register is set high. Then AEAM1:0 are used to decode the addresses of the extra rows. A value of 0 decodes the default Signature Row that is also accessible when the extended address mode is deactivated.

**Table 30-14** AEAM Register Bits

| Register Bits | Value | Description   |
|---------------|-------|---------------|
| AEAM1:0       | 0     | Signature Row |
|               | 1     | User Row 1    |
|               | 2     | User Row 2    |
|               | 3     | User Row 3    |

- **Bit 3:0 – Resx3:0 - Reserved**

## 31 Memory Programming

### 31.1 Program And Data Memory Lock Bits

The ATmega2564/1284/644RFR2 provides six Lock bits which can be left un-programmed (“1”) or can be programmed (“0”) to obtain the additional features listed in [Table 31-2 below](#). The Lock bits can only be erased to “1” with the Chip Erase command.

**Table 31-1.** Lock Bit Byte<sup>(1)</sup>

| Lock Bit Byte | Bit No | Description   | Default Value     |
|---------------|--------|---------------|-------------------|
| –             | 7      | –             | 1 (un-programmed) |
| –             | 6      | –             | 1 (un-programmed) |
| BLB12         | 5      | Boot Lock bit | 1 (un-programmed) |
| BLB11         | 4      | Boot Lock bit | 1 (un-programmed) |
| BLB02         | 3      | Boot Lock bit | 1 (un-programmed) |
| BLB01         | 2      | Boot Lock bit | 1 (un-programmed) |
| LB2           | 1      | Lock bit      | 1 (un-programmed) |
| LB1           | 0      | Lock bit      | 1 (un-programmed) |

Note: 1. “1” means un-programmed, “0” means programmed.

**Table 31-2.** Lock Bit Protection Modes<sup>(1)(2)</sup>

| Memory Lock Bits |      |      | Protection Type  |
|------------------|------|------|--|
| LB Mode          | LB2  | LB1  |  |
| 1                | 1    | 1    | No memory lock features enabled.   |
| 2                | 1    | 0    | Further programming of the Flash and EEPROM is disabled in Parallel, JTAG and Serial Programming mode. The Fuse bits are locked in Parallel, JTAG and Serial Programming mode. <sup>(1)</sup>  |
| 3                | 0    | 0    | Further programming and verification of the Flash and EEPROM is disabled in Parallel, JTAG and Serial Programming mode. The Boot Lock bits and Fuse bits are locked in Parallel, JTAG and Serial Programming mode. <sup>(1)</sup>  |
| BLB0 Mode        | BL02 | BL01 |  |
| 1                | 1    | 1    | No restrictions for SPM or (E)LPM accessing the Application section.   |
| 2                | 1    | 0    | SPM is not allowed to write to the Application section.  |
| 3                | 0    | 0    | SPM is not allowed to write to the Application section, and (E)LPM executing from the Boot Loader section is not allowed to read from the Application section. If Interrupt Vectors are placed in the Boot Loader section, interrupts are disabled while executing from the Application section. |
| 4                | 0    | 1    | (E)LPM executing from the Boot Loader section is not allowed to read from the Application section. If Interrupt Vectors are placed in the Boot Loader section, interrupts are disabled while executing from the Application section.   |

| Memory Lock Bits |      |      | Protection Type  |
|------------------|------|------|--|
| BLB1 Mode        | BL12 | BL11 |  |
| 1                | 1    | 1    | No restrictions for SPM or (E)LPM accessing the Boot Loader section.   |
| 2                | 1    | 0    | SPM is not allowed to write to the Boot Loader section.  |
| 3                | 0    | 0    | SPM is not allowed to write to the Boot Loader section, and (E)LPM executing from the Application section is not allowed to read from the Boot Loader section. If Interrupt Vectors are placed in the Application section, interrupts are disabled while executing from the Boot Loader section. |
| 4                | 0    | 1    | (E)LPM executing from the Application section is not allowed to read from the Boot Loader section. If Interrupt Vectors are placed in the Application section, interrupts are disabled while executing from the Boot Loader section.   |

- Notes:
1. Program the Fuse bits and Boot Lock bits before programming the LB1 and LB2.
  2. "1" means un-programmed, "0" means programmed.

## 31.2 Fuse Bits

The ATmega2564/1284/644RFR2 has three Fuse bytes. [Table 31-3 below](#) – [Table 31-5 on page 504](#) describe briefly the functionality of all the fuses and how they are mapped into the Fuse bytes. Note that the fuses are read as logical zero, "0", if they are programmed.

**Table 31-3.** Extended Fuse Byte

| Ext. Fuse Byte           | Bit No | Description                      | Default Value     |
|--------------------------|--------|----------------------------------|-------------------|
| –                        | 7      | –                                | 1                 |
| –                        | 6      | –                                | 1                 |
| –                        | 5      | –                                | 1                 |
| –                        | 4      | –                                | 1                 |
| Reserved                 | 3      | Do not modify                    | 1 (un-programmed) |
| BODLEVEL2 <sup>(1)</sup> | 2      | Brown-out Detector trigger level | 1 (un-programmed) |
| BODLEVEL1 <sup>(1)</sup> | 1      | Brown-out Detector trigger level | 1 (un-programmed) |
| BODLEVEL0 <sup>(1)</sup> | 0      | Brown-out Detector trigger level | 0 (programmed)    |

- Notes:
1. See [Table 35-23 on page 553](#) for BODLEVEL Fuse decoding.

**Table 31-4.** Fuse High Byte

| Fuse High Byte       | Bit No | Description                                      | Default Value                           |
|----------------------|--------|--|---|
| OCDEN <sup>(4)</sup> | 7      | Enable On-chip debugging (OCD)                   | 1 (un-programmed, OCD disabled)         |
| JTAGEN               | 6      | Enable JTAG interface                            | 0 (programmed, JTAG enabled)            |
| SPIEN <sup>(1)</sup> | 5      | Enable Serial Program and Data Downloading (SPI) | 0 (programmed, SPI programming enabled) |
| WDTON <sup>(3)</sup> | 4      | Watchdog Timer always on                         | 1 (un-programmed)                       |

| Fuse High Byte | Bit No | Description  | Default Value                           |
|----------------|--------|--|---|
| EESAVE         | 3      | EEPROM memory is preserved through the Chip Erase                          | 1 (un-programmed, EEPROM not preserved) |
| BOOTSZ1        | 2      | Select Boot Size (see <a href="#">Table 30-10 on page 498</a> for details) | 0 (programmed) <sup>(2)</sup>           |
| BOOTSZ0        | 1      | Select Boot Size (see <a href="#">Table 30-10 on page 498</a> for details) | 0 (programmed) <sup>(2)</sup>           |
| BOOTRST        | 0      | Select Reset Vector  | 1 (un-programmed)                       |

- Notes:
1. The SPIEN Fuse is not accessible in serial programming mode.
  2. The default value of BOOTSZ1:0 results in maximum Boot Size. See [Table 30-10 on page 498](#) for details.
  3. See "[WDTCSR – Watchdog Timer Control Register](#)" on page 215 for details.
  4. Never ship a product with the OCDEN Fuse programmed regardless of the setting of Lock bits and JTAGEN Fuse. A programmed OCDEN Fuse enables some parts of the clock system to be running in all sleep modes. This may increase the power consumption.

**Table 31-5. Fuse Low Byte**

| Fuse Low Byte         | Bit No | Description          | Default Value                    |
|-----------------------|--------|----------------------|----------------------------------|
| CKDIV8 <sup>(4)</sup> | 7      | Divide clock by 8    | 0 (programmed)                   |
| CKOUT <sup>(3)</sup>  | 6      | Clock output         | 1 (un-programmed)                |
| SUT1                  | 5      | Select start-up time | 1 (un-programmed) <sup>(1)</sup> |
| SUT0                  | 4      | Select start-up time | 0 (programmed) <sup>(1)</sup>    |
| CKSEL3                | 3      | Select Clock source  | 0 (programmed) <sup>(2)</sup>    |
| CKSEL2                | 2      | Select Clock source  | 0 (programmed) <sup>(2)</sup>    |
| CKSEL1                | 1      | Select Clock source  | 1 (un-programmed) <sup>(2)</sup> |
| CKSEL0                | 0      | Select Clock source  | 0 (programmed) <sup>(2)</sup>    |

- Notes:
1. The default value of SUT1:0 results in maximum start-up time for the default clock source. See "[System Control and Reset](#)" on page 207 for details.
  2. The default setting of CKSEL3:0 results in internal RC Oscillator @ 8 MHz. See "[Table 11-1](#)" on page 175 for details.
  3. The CKOUT Fuse allows the system clock to be output on PORTE7. See "[Clock Output Buffer](#)" on page 179 for details.
  4. See "[System Clock Prescaler](#)" on page 179 for details.

The status of the Fuse bits is not affected by Chip Erase. Note that the Fuse bits are locked if Lock bit1 (LB1) is programmed. Program the Fuse bits before programming the Lock bits.

### 31.2.1 Latching of Fuses

The fuse values are latched when the device enters programming mode and changes of the fuse values will have no effect until the part leaves Programming mode. This does not apply to the EESAVE Fuse which will take effect once it is programmed. The fuses are also latched on Power-up in Normal mode.



## 31.3 Signature Bytes

All Atmel microcontrollers have a three-byte signature code which identifies the device. This code can be read in both serial and parallel mode, also when the device is locked. The three bytes reside in a separate address space. For the ATmega2564/1284/644RFR2 the signature bytes are given in [Table 31-6 below](#). Accessing the signature bytes from software is described in section ["Reading the Signature Row from Software" on page 492](#).

**Table 31-6.** Device and JTAG ID (48-pin package)

| Part           | Signature Byte Number |      |                     | JTAG                  |                 |
|----------------|-----------------------|------|---------------------|-----------------------|-----------------|
|                | 0                     | 1    | 2                   | Part Number           | Manufacturer ID |
| ATmega2564RFR2 | 0x1E                  | 0xA8 | 0x03 <sup>(1)</sup> | 0xA803 <sup>(1)</sup> | 0x1F            |
| ATmega1284RFR2 | 0x1E                  | 0xA7 | 0x03                | 0xA703                | 0x1F            |
| ATmega644RFR2  | 0x1E                  | 0xA6 | 0x03                | 0xA603                | 0x1F            |

Notes: 1. ATmega2564RFR2 revision A implements Signature Byte Number 2 = 0x02

## 31.4 User Signature Data

Three Flash pages are dedicated for user signature data. These signature pages are isolated from the main Flash and will not be cleared by a Chip Erase command. Special commands are available to erase and write data to user signature pages via the Parallel and JTAG interface (see ["Parallel Programming" on page 508](#) and ["Programming via the JTAG Interface" on page 523](#) for details). User signature rows can be read from software in the same way as the device and JTAG identifiers (see section ["Reading the Signature Row from Software" on page 492](#)).

## 31.5 Calibration Byte

The ATmega2564/1284/644RFR2 has a byte calibration value for the internal RC Oscillator. This byte resides in the high byte of address 0x000 in the signature address space. During reset, this byte is automatically written into the OSCCAL Register to ensure correct frequency of the calibrated RC Oscillator.

## 31.6 Page Size

**Table 31-7.** Number of Words in a Page and Number of Pages in the Flash

| Flash Size              | Page Size | PCWORD  | No. of Pages | PCPAGE   | PCMSB |
|-------------------------|-----------|---------|--------------|----------|-------|
| 128k words (256k bytes) | 128 words | PC[6:0] | 1024         | PC[16:7] | 16    |
| 64k words (128k bytes)  | 128 words | PC[6:0] | 512          | PC[15:7] | 15    |
| 32k words (64k bytes)   | 128 words | PC[6:0] | 256          | PC[14:7] | 14    |

Notes: 1. The page size for user signature data in all devices is also 128 words.

**Table 31-8.** Number of Bytes in a Page and Number of Pages in the EEPROM

| EEPROM Size | Page Size | PCWORD   | No. of Pages | PCPAGE    | EEAMSB |
|-------------|-----------|----------|--------------|-----------|--------|
| 8k bytes    | 8 bytes   | EEA[2:0] | 1024         | EEA[12:3] | 12     |
| 4k bytes    | 8 bytes   | EEA[2:0] | 512          | EEA[11:3] | 11     |
| 2k bytes    | 8 bytes   | EEA[2:0] | 256          | EEA[10:3] | 10     |

## 31.7 Parallel Programming Parameters, Pin Mapping, and Commands

This section describes how to parallel program and verify Flash Program memory, EEPROM Data memory, Memory Lock bits, and Fuse bits in the ATmega2564/1284/644RFR2.

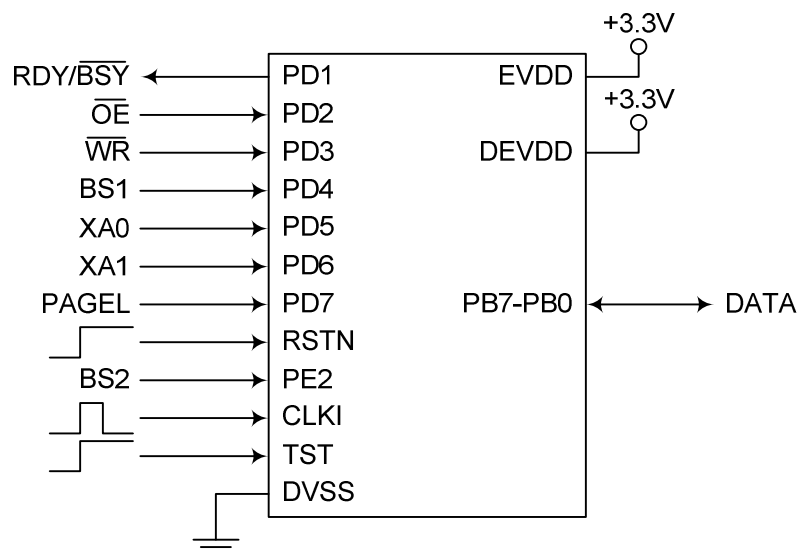
### 31.7.1 Signal Names

In this section, some pins of the ATmega2564/1284/644RFR2 are referenced by signal names describing their functionality during parallel programming; see [Figure 31-1 below](#) and [Table 31-9 below](#). Pins not described in this table are referenced by their default pin names.

The XA1/XA0 pins determine the action executed when the CLKI pin is given a positive pulse. The bit coding is shown in [Table 31-12 on page 507](#).

When pulsing  $\overline{WR}$  or  $\overline{OE}$  or, the command loaded determines the action executed. The different commands are shown in [Table 31-13 on page 507](#).

**Figure 31-1.** Parallel Programming <sup>(1)</sup>



Note: 1. Unused Pins should be left floating.

**Table 31-9.** Pin Name Mapping

| Signal Name in Programming Mode | Pin Name | I/O | Function   |
|---------------------------------|----------|-----|--|
| RDY/BSY                         | PD1      | O   | 0: Device is busy programming, 1: Device is ready for new command. |
| $\overline{OE}$                 | PD2      | I   | Output Enable (Active low).  |
| $\overline{WR}$                 | PD3      | I   | Write Pulse (Active low).  |
| BS1                             | PD4      | I   | Byte Select 1.   |
| XA0                             | PD5      | I   | XTAL Action Bit 0.   |
| XA1                             | PD6      | I   | XTAL Action Bit 1.   |

| Signal Name in Programming Mode | Pin Name | I/O | Function  |
|---------------------------------|----------|-----|---|
| PAGEL                           | PD7      | I   | Program Memory and EEPROM data Page Load.                     |
| BS2                             | PE2      | I   | Byte Select 2.  |
| DATA                            | PB7-0    | I/O | Bi-directional Data bus (Output when $\overline{OE}$ is low). |

**Table 31-10.** BS2 and BS1 Encoding

| BS2 | BS1 | Flash / EEPROM Address | Flash Data Loading / Reading | Fuse Programming | Reading Fuse and Lock Bits |
|-----|-----|------------------------|------------------------------|------------------|----------------------------|
| 0   | 0   | Low Byte               | Low Byte                     | Low Byte         | Fuse Low Byte              |
| 0   | 1   | High Byte              | High Byte                    | High Byte        | Lock Bits                  |
| 1   | 0   | Extended High Byte     | Reserved                     | Extended Byte    | Extended Fuse Byte         |
| 1   | 1   | Reserved               | Reserved                     | Reserved         | Fuse High Byte             |

**Table 31-11.** Pin Values Used to Enter Programming Mode

| Pin   | Symbol         | Value |
|-------|----------------|-------|
| PAGEL | Prog_enable[3] | 0     |
| XA1   | Prog_enable[2] | 0     |
| XA0   | Prog_enable[1] | 0     |
| BS1   | Prog_enable[0] | 0     |

**Table 31-12.** XA1 and XA0 Encoding

| XA1 | XA0 | Action when CLKI is Pulsed   |
|-----|-----|--|
| 0   | 0   | Load Flash or EEPROM Address (High or low address byte determined by BS2 and BS1). |
| 0   | 1   | Load Data (High or Low data byte for Flash determined by BS1).                     |
| 1   | 0   | Load Command.  |
| 1   | 1   | No Action, Idle.   |

**Table 31-13.** Command Byte Bit Encoding

| Command Byte | Command Executed                          |
|--------------|---|
| 1000 0000    | Chip Erase                                |
| 0100 0000    | Write Fuse bits                           |
| 0010 0000    | Write Lock bits                           |
| 0001 0000    | Write Flash                               |
| 0001 0001    | Write EEPROM                              |
| 0000 1000    | Read Signature bytes and Calibration byte |
| 0000 0100    | Read Fuse and Lock bits                   |
| 0000 0010    | Read Flash                                |
| 0000 0011    | Read EEPROM                               |

**Table 31-14. Command Byte Bit Encoding (EEPROM Erase, User Signature Data)**

| Command Byte | Command Executed                         |
|--------------|--|
| 1000 0010    | Chip Erase EEPROM only                   |
| 1000 0011    | Erase EEPROM Page                        |
| 0001 0010    | Write User Signature Page <sup>(1)</sup> |
| 1000 0100    | Erase User Signature Page <sup>(1)</sup> |
| 0000 1000    | Read User Signature Page <sup>(1)</sup>  |

Note: 1. See section "User Signature Data" on page 505.

## 31.8 Parallel Programming

Pulses of CLKI and in the following command sequences are assumed to be at least 250 ns wide unless otherwise noted.

### 31.8.1 Enter Programming Mode

The following algorithm puts the device in parallel programming mode:

1. Apply 3.3V between DEVDD and DVSS.
2. Set RSTN to 0 and TST to 0.
3. Set the Prog\_enable pins listed in [Table 31-11](#) on page 507 to "0000" and wait at least 100ns.
4. Set TST to 1. TST can be set high any time before but not after the rising edge of RSTN ( $t_{TSTRNH}$ ).
5. Set RSTN to 1. Any activity on Prog\_enable pins within 100 ns after RSTN is set to 1 will cause the device to fail entering programming mode.
6. Wait at least 50  $\mu$ s before sending a command.

### 31.8.2 Considerations for Efficient Programming

The loaded command and address are retained in the device during programming. For efficient programming, the following should be considered.

- The command needs only be loaded once when writing or reading multiple memory locations.
- Skip writing the data value 0xFF, that is the contents of the entire EEPROM (unless the EESAVE Fuse is programmed) and Flash after a Chip Erase.
- Address high byte needs only be loaded before programming or reading a new 256 word window in Flash or 256 byte EEPROM. This consideration also applies to Signature bytes reading.

### 31.8.3 Chip Erase

The Chip Erase will erase the Flash and EEPROM<sup>(1)</sup> memories plus Lock bits. The Lock bits are not reset until the program memory has been completely erased. The Fuse bits are not changed. A Chip Erase must be performed before the Flash and/or EEPROM are reprogrammed.

Note: 1. The EEPROM memory is preserved during Chip Erase if the EESAVE Fuse is programmed.

Load Command “Chip Erase”

1. Set XA1, XA0 to “10”. This enables command loading.
2. Set BS1 to “0”.
3. Set DATA to “1000 0000”. This is the command for Chip Erase.
4. Give CLKI a positive pulse. This loads the command.
5. Give  $\overline{WR}$  a negative pulse. This starts the Chip Erase. RDY/  $\overline{BSY}$  goes low.
6. Wait until RDY/  $\overline{BSY}$  goes high before loading a new command.

## 31.8.4 Programming the Flash

The Flash is organized in pages; see [Table 31-7 on page 505](#). When programming the Flash, the program data is latched into a page buffer. This allows one page of program data to be programmed simultaneously. The following procedure describes how to program the entire Flash memory:

A. Load Command “Write Flash”

1. Set XA1, XA0 to “10”. This enables command loading.
2. Set BS1 to “0”.
3. Set DATA to “0001 0000”. This is the command for Write Flash.
4. Give CLKI a positive pulse. This loads the command.

B. Load Address Low byte (Address bits 7:0)

1. Set XA1, XA0 to “00”. This enables address loading.
2. Set BS2, BS1 to “00”. This selects the address low byte.
3. Set DATA = Address low byte (0x00 - 0xFF).
4. Give CLKI a positive pulse. This loads the address low byte.

C. Load Data Low Byte

1. Set XA1, XA0 to “01”. This enables data loading.
2. Set DATA = Data low byte (0x00 - 0xFF).
3. Give CLKI a positive pulse. This loads the data byte.

D. Load Data High Byte

1. Set BS1 to “1”. This selects high data byte.
2. Set XA1, XA0 to “01”. This enables data loading.
3. Set DATA = Data high byte (0x00 - 0xFF).
4. Give CLKI a positive pulse. This loads the data byte.

E. Latch Data

1. Set BS1 to “1”. This selects high data byte.
2. Give PAGEL a positive pulse. This latches the data bytes. (see [Figure 31-3 on page 511](#) for signal waveforms).

F. Repeat B through E until the entire buffer is filled or until all data within the page is loaded.

While the lower bits in the address are mapped to words within the page, the higher bits address the pages within the Flash. This is illustrated in [Figure 31-5 on page 511](#). Note that if less than eight bits are required to address words in the page (page size < 256), the most significant bit(s) in the address low byte are used to address the page when performing a Page Write.

G. Load Address High byte (Address bits 15:8)

1. Set XA1, XA0 to "00". This enables address loading.
2. Set BS2, BS1 to "01". This selects the address high byte.
3. Set DATA = Address high byte (0x00 - 0xFF).
4. Give CLKI a positive pulse. This loads the address high byte.

H. Load Address Extended High byte (Address bits 23:16)

1. Set XA1, XA0 to "00". This enables address loading.
2. Set BS2, BS1 to "10". This selects the address high byte.
3. Set DATA = Address extended high byte (0x00 - 0xFF).
4. Give CLKI a positive pulse. This loads the address extended high byte.

I. Program Page

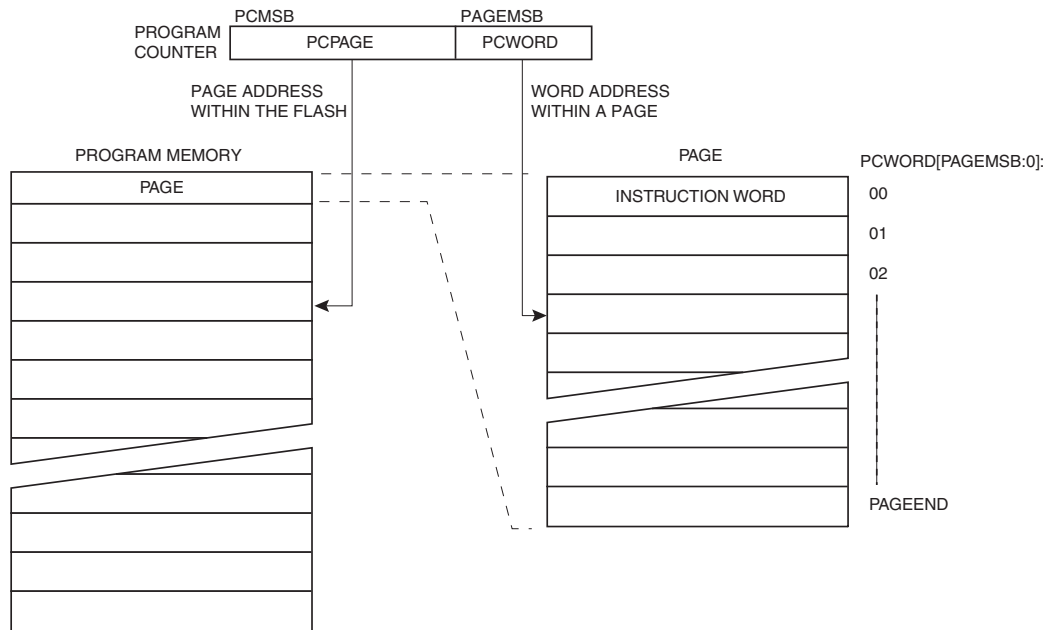
1. Set BS2, BS1 to "00"
2. Give  $\overline{WR}$  a negative pulse. This starts programming of the entire page of data. RDY/ $\overline{BSY}$  goes low.
3. Wait until RDY/ $\overline{BSY}$  goes high (See [Figure 31-3 on page 511](#) for signal waveforms).

J. Repeat B through I until the entire Flash is programmed or until all data has been programmed.

K. End Page Programming

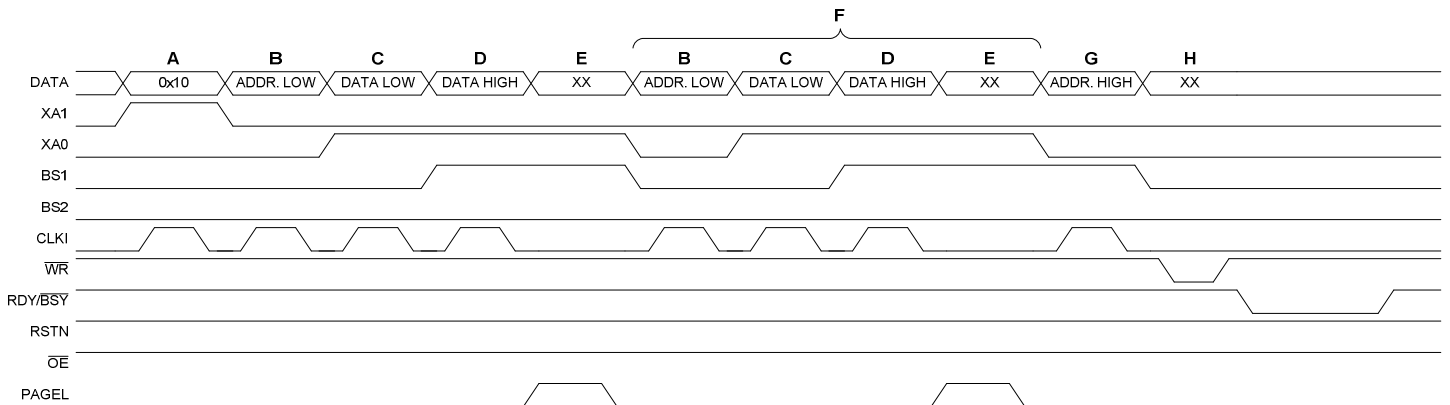
1. Set XA1, XA0 to "10". This enables command loading.
2. Set DATA to "0000 0000". This is the command for No Operation.
3. Give CLKI a positive pulse. This loads the command, and the internal write signals are reset.

**Figure 31-5. Addressing the Flash which is Organized in Pages<sup>(1)</sup>**



Note: 1. PCPAGE and PCWORD are listed in [Table 31-7 on page 505](#).

**Figure 31-3. Programming the Flash Waveforms<sup>(1)</sup>**



Note: 1. "XX" is don't care. The letters refer to the programming description above.

### 31.8.5 Programming the EEPROM

The EEPROM is organized in pages; see [Table 31-8 on page 505](#). When programming the EEPROM, the program data is latched into a page buffer. This allows one page of data to be programmed simultaneously. The programming algorithm for the EEPROM data memory is as follows (refer to "[Programming the Flash](#)" on page 509 for details on Command, Address and Data loading):

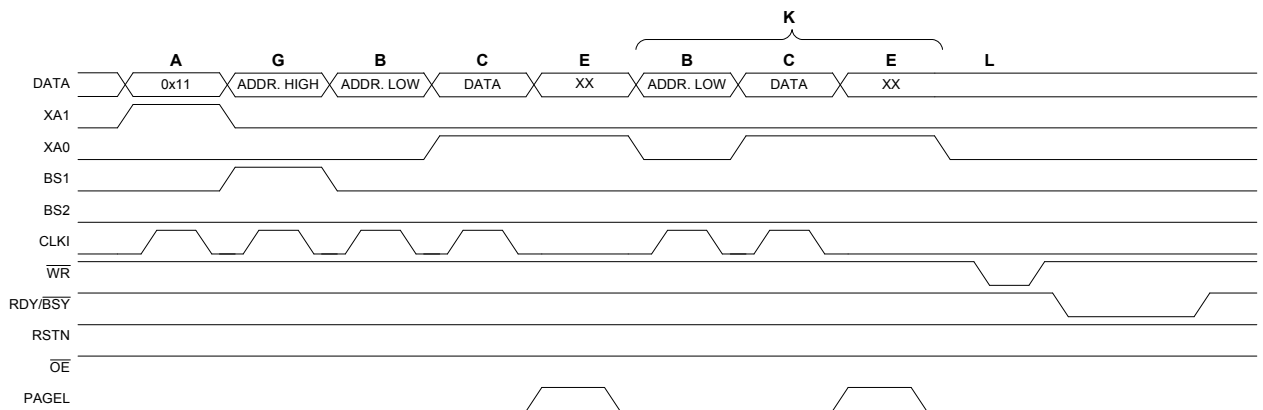
1. A: Load Command "0001 0001".
2. G: Load Address High Byte (0x00 - 0xFF).
3. B: Load Address Low Byte (0x00 - 0xFF).
4. C: Load Data (0x00 - 0xFF).
5. E: Latch data (give PAGEL a positive pulse).

K: Repeat 3 through 5 until the entire buffer is filled.

L: Program EEPROM page

1. Set BS2, BS1 to “00”.
2. Give  $\overline{WR}$  a negative pulse. This starts programming of the EEPROM page. RDY/ $\overline{BSY}$  goes low.
3. Wait until to RDY/ $\overline{BSY}$  goes high before programming the next page (See [Figure 31-7 below](#) for signal waveforms).

**Figure 31-7.** Programming the EEPROM Waveforms



### 31.8.6 Reading the Flash

The algorithm for reading the Flash memory is as follows (refer to ["Programming the Flash" on page 509](#) for details on Command and Address loading):

1. A: Load Command “0000 0010”.
2. H: Load Address Extended High Byte (0x00 - 0xFF).
3. G: Load Address High Byte (0x00 - 0xFF).
3. B: Load Address Low Byte (0x00 - 0xFF).
4. Set  $\overline{OE}$  to “0”, and BS1 to “0”. The Flash word low byte can now be read at DATA.
5. Set BS1 to “1”. The Flash word high byte can now be read at DATA.
6. Set  $\overline{OE}$  to “1”.

### 31.8.7 Reading the EEPROM

The algorithm for reading the EEPROM memory is as follows (refer to ["Programming the Flash" on page 509](#) for details on Command and Address loading):

1. A: Load Command “0000 0011”.
2. G: Load Address High Byte (0x00 - 0xFF).
3. B: Load Address Low Byte (0x00 - 0xFF).
4. Set  $\overline{OE}$  to “0”, and BS1 to “0”. The EEPROM Data byte can now be read at DATA.
5. Set  $\overline{OE}$  to “1”.

### 31.8.8 Programming the Fuse Low Bits

The algorithm for programming the Fuse Low bits is as follows (refer to ["Programming the Flash" on page 509](#) for details on Command and Data loading):



1. A: Load Command "0100 0000".
2. C: Load Data Low Byte. Bit n = "0" programs and bit n = "1" erases the Fuse bit.
3. Give  $\overline{WR}$  a negative pulse and wait for RDY/ $\overline{BSY}$  to go high.

### 31.8.9 Programming the Fuse High Bits

The algorithm for programming the Fuse High bits is as follows (refer to ["Programming the Flash" on page 509](#) for details on Command and Data loading):

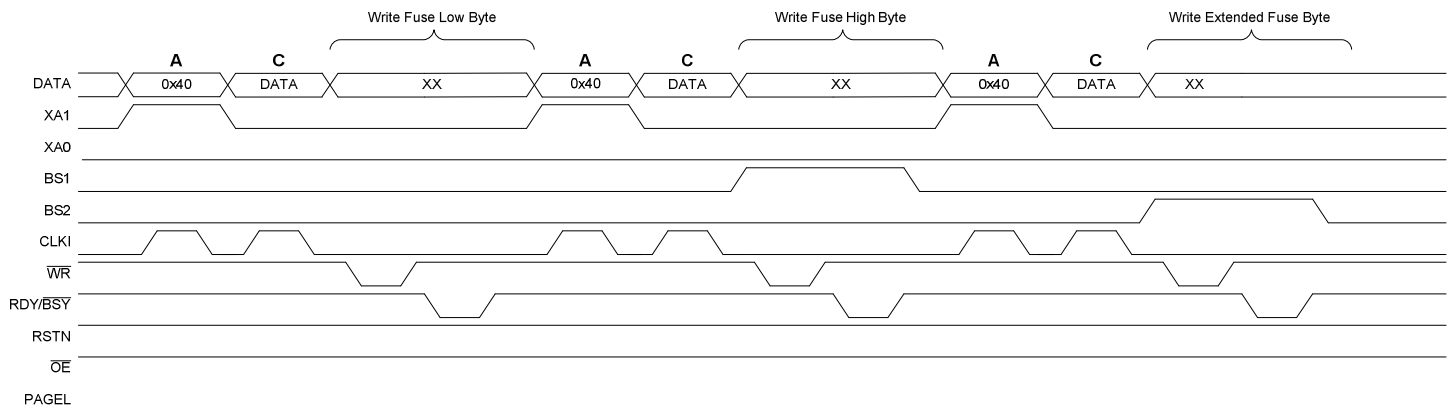
1. A: Load Command "0100 0000".
2. C: Load Data Low Byte. Bit n = "0" programs and bit n = "1" erases the Fuse bit.
3. Set BS2, BS1 to "01". This selects high data byte.
4. Give  $\overline{WR}$  a negative pulse and wait for RDY/ $\overline{BSY}$  to go high.
5. Set BS2, BS1 to "00". This selects low data byte.

### 31.8.10 Programming the Extended Fuse Bits

The algorithm for programming the Extended Fuse bits is as follows (refer to ["Programming the Flash" on page 509](#) for details on Command and Data loading):

1. A: Load Command "0100 0000".
2. C: Load Data Low Byte. Bit n = "0" programs and bit n = "1" erases the Fuse bit.
3. Set BS2, BS1 to "10". This selects extended data byte.
4. Give  $\overline{WR}$  a negative pulse and wait for RDY/ $\overline{BSY}$  to go high.
5. Set BS2, BS1 to "00". This selects low data byte.

**Figure 31-8. Programming the Fuses Waveforms**



### 31.8.11 Programming the Lock Bits

The algorithm for programming the Lock bits is as follows (refer to ["Programming the Flash" on page 509](#) for details on Command and Data loading):

1. A: Load Command "0010 0000".
2. C: Load Data Low Byte. Bit n = "0" programs the Lock bit. If LB mode 3 is active (LB1 and LB2 are programmed), it is not possible to program the Boot Lock bits by any External Programming mode.
3. Give  $\overline{WR}$  a negative pulse and wait for RDY/ $\overline{BSY}$  to go high.

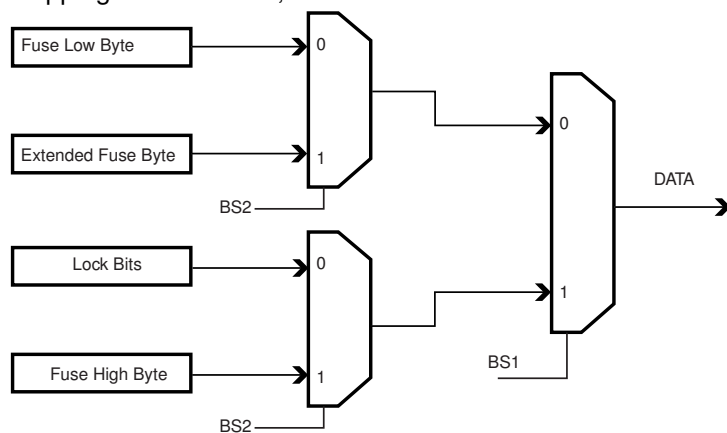
The Lock bits can only be cleared by executing Chip Erase.

## 31.8.12 Reading the Fuse and Lock Bits

The algorithm for reading the Fuse and Lock bits is as follows (refer to ["Programming the Flash" on page 509](#) for details on Command and Data loading):

1. A: Load Command "0000 0100".
2. Set  $\overline{OE}$  to "0", and BS2, BS1 to "00". The status of the Fuse Low bits can now be read at DATA ("0" means programmed).
3. Set  $\overline{OE}$  to "0", and BS2, BS1 to "11". The status of the Fuse High bits can now be read at DATA ("0" means programmed).
4. Set  $\overline{OE}$  to "0", and BS2, BS1 to "10". The status of the Extended Fuse bits can now be read at DATA ("0" means programmed).
5. Set  $\overline{OE}$  to "0", and BS2, BS1 to "01". The status of the Lock bits can now be read at DATA ("0" means programmed).
6. Set  $\overline{OE}$  to "1".

**Figure 31-9.** Mapping between BS1, BS2 and the Fuse and Lock Bits during Read



## 31.8.13 Reading the Signature Bytes

The algorithm for reading the Signature bytes is as follows (refer to ["Programming the Flash" on page 509](#) for details on Command and Data loading):

1. A: Load Command "0000 1000".
2. B: Load Address Low Byte (0x00 - 0x02).
3. Set  $\overline{OE}$  to "0" and BS to "0". The selected Signature byte can now be read at DATA.
4. Set  $\overline{OE}$  to "1".

## 31.8.14 Reading the Calibration Byte

The algorithm for reading the Calibration byte is as follows (refer to ["Programming the Flash" on page 509](#) for details on Command and Data loading):

1. A: Load Command "0000 1000".
2. B: Load Address Low Byte, 0x00.
3. Set  $\overline{OE}$  to "0" and BS1 to "1". The Calibration byte can now be read at DATA.
4. Set  $\overline{OE}$  to "1".

## 31.8.15 Chip Erase of EEPROM only

This special Chip Erase command will erase only the EEPROM<sup>(1)</sup> memory. The Flash, Lock and Fuse bits are not changed. The EEPROM must be erased before it can be reprogrammed.

Note: 1. The EEPROM memory is also preserved during this special Chip Erase if the EESAVE Fuse is programmed.

Load Command "Chip Erase EEPROM only"

1. Set XA1, XA0 to "10". This enables command loading.
2. Set BS1 to "0".
3. Set DATA to "1000 0010". This is the command for Chip Erase EEPROM only.
4. Give CLKI a positive pulse. This loads the command.
5. Give  $\overline{WR}$  a negative pulse. This starts the Chip Erase of the EEPROM. RDY/ $\overline{BSY}$  goes low.
6. Wait until RDY/ $\overline{BSY}$  goes high before loading a new command.

## 31.8.16 Erase EEPROM Page

The EEPROM is organized in pages; see [Table 31-8 on page 505](#). When programming the EEPROM, the program data is latched into a page buffer. In contrast when erasing the EEPROM, only the byte address is required and latched into the page buffer. The program data are ignored. This allows erasing only selected bytes of an EEPROM page. The algorithm for erasing EEPROM data is as follows (refer to ["Programming the Flash" on page 509](#) for details on Command, Address and Data loading):

1. A: Load Command "1000 0011".
2. G: Load Address High Byte (0x00 - 0xFF).
3. B: Load Address Low Byte (0x00 - 0xFF).
4. E: Latch address (give PAGEL a positive pulse).

K: Repeat 3 through 5 until all addresses of bytes to be erased have been latched. If all byte locations in the EEPROM page have been latched, then the entire page is erased.

L: Erase EEPROM page

1. Set BS2, BS1 to "00".
2. Give  $\overline{WR}$  a negative pulse. This starts erasing of the EEPROM page. RDY/ $\overline{BSY}$  goes low.
3. Wait until to RDY/ $\overline{BSY}$  goes high before a new program or erase operation.

Note: 1. The EEPROM memory is **not** preserved during the EEPROM page erase if the EESAVE Fuse is programmed.

## 31.8.17 Writing User Signature Data

Three Flash pages are dedicated for user signature data (see ["User Signature Data" on page 505](#) for details). Writing the user signature pages is similar to programming any other page of the Flash. For programming signature pages, the user data is latched into a page buffer. This allows one page of user signature data to be programmed at a time. The following procedure describes how to write all user signature pages (refer to ["Programming the Flash" on page 509](#) for details on Command, Address and Data loading):

1. A. Load Command "0001 0010" (Write User Signature Page).

2. B. Load Address Low byte (Address bits 7:0).
3. C. Load Data Low Byte (0x00 - 0xFF).
4. D. Load Data High Byte (0x00 - 0xFF).
5. E. Latch Data (give PAGEL a positive pulse).
- F. Repeat B through E until the entire buffer is filled or until all data within the page is loaded.

While the lower bits in the address are mapped to words within the page, the higher bits address one of the three signature pages.

- G. Load Address High byte (Address bits15:8): 0x01, 0x02 or 0x03I. Program Page

1. Set BS2, BS1 to "00"
2. Give  $\overline{WR}$  a negative pulse. This starts programming of the entire signature page of data. RDY/ $\overline{BSY}$  goes low.
3. Wait until RDY/ $\overline{BSY}$  goes high (See [Figure 31-3 on page 511](#) for signal waveforms).

J. Repeat B through I until all user signature pages or all data has been programmed.

K. End Page Programming.

Note: 1. User Signature Pages must be erased before being written. See ["Erasing User Signature Data"](#) below.

### 31.8.18 Erasing User Signature Data

Three Flash pages are dedicated for user signature data (see ["User Signature Data" on page 505](#) for details). A user signature page must be erased before being written. A Chip Erase does not modify the signature pages. Erasing user signature data follows a similar procedure as shown in section ["Writing User Signature Data" on page 515](#). The data of one signature page at a time can be erased. The following procedure describes how to write all user signature pages (refer to ["Programming the Flash" on page 509](#) for details on Command, Address and Data loading):

1. A. Load Command "1000 0100" (Erase User Signature Page).

While the lower bits in the address are mapped to words within the page, the higher bits address one of the three signature pages.

2. B. Load Address Low byte (Address bits 7:0): 0x00
3. G. Load Address High byte (Address bits15:8): 0x01, 0x02 or 0x03

I. Program Page (Erase)

4. Set BS2, BS1 to "00"
5. Give  $\overline{WR}$  a negative pulse. This starts erasing the data of the entire user signature page. RDY/ $\overline{BSY}$  goes low.
6. Wait until RDY/ $\overline{BSY}$  goes high (See [Figure 31-3 on page 511](#) for signal waveforms).

J. Repeat B through I until all user signature pages are erased.

K. End Page Programming.

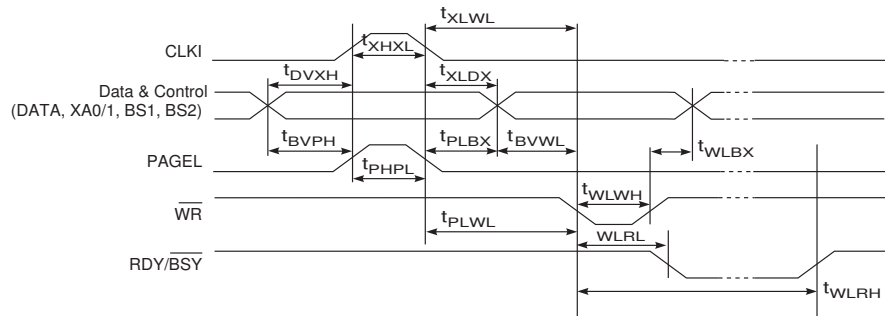
### 31.8.19 Reading User Signature Data

The algorithm for reading User Signature Data is similar to reading from Flash (refer to ["Programming the Flash" on page 509](#) for details on Command and Data loading). The algorithm for reading User Signature Data is similar to read from Flash.

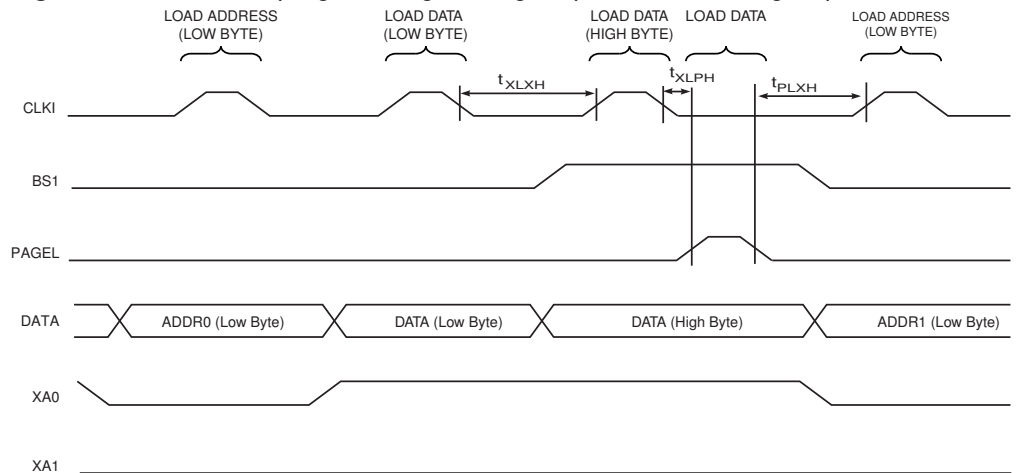
1. A: Load Command "0000 1000".
  2. G: Load Address High Byte.
  2. B: Load Address Low Byte.
  3. Set  $\overline{OE}$  to "0" and BS to "0". The Signature word low byte can now be read at DATA.
  4. Set  $\overline{OE}$  to "1".
  5. Set BS1 to "1". The Signature word high byte can now be read at DATA.
  6. Set  $\overline{OE}$  to "1".
- Repeat steps 2 to 6 until all data have been read.

### 31.8.20 Parallel Programming Characteristics

**Figure 31-10.** Parallel programming timing including some general timing requirements

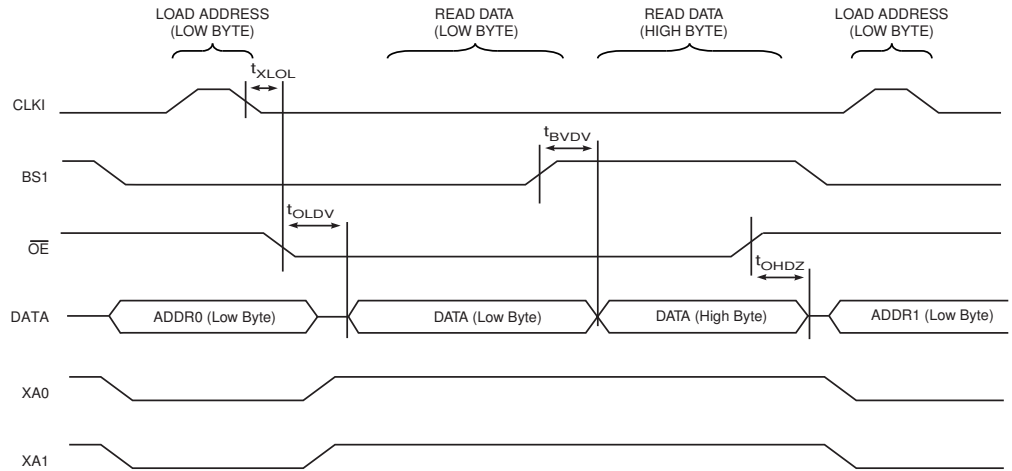


**Figure 31-11.** Parallel programming loading sequence with timing requirements <sup>(2)</sup>



Note: 2. The timing requirements shown in [Figure 31-10](#) above (i.e.,  $t_{DVXH}$ ,  $t_{XHXL}$ , and  $t_{XLDX}$ ) also apply to loading operation.

**Figure 31-12.** Parallel programming reading sequence (within the same page) with timing requirements <sup>(1)</sup>



Note: 1. The timing requirements shown in [Figure 31-10](#) on page 517 (i.e.,  $t_{DVXH}$ ,  $t_{XHXL}$ , and  $t_{XLDX}$ ) also apply to reading operation.

**Table 31-15.** Parallel Programming Characteristics,  $V_{DEVD} = 3.3V \pm 10\%$

| Symbol         | Parameter   | Min | Typ | Max  | Units   |
|----------------|---|-----|-----|------|---------|
| $t_{TSTRNH}$   | Delay TST High before RSTN High   | 0   |     |      | ns      |
| $t_{DVXH}$     | Data and Control Valid before CLKI High   | 67  |     |      | ns      |
| $t_{XLXH}$     | CLKI Low to CLKI High   | 200 |     |      | ns      |
| $t_{XHXL}$     | CLKI Pulse Width High   | 150 |     |      | ns      |
| $t_{XLDX}$     | Data and Control Hold after CLKI Low  | 67  |     |      | ns      |
| $t_{XLWL}$     | CLKI Low to $\overline{WR}$ Low   | 0   |     |      | ns      |
| $t_{XLPH}$     | CLKI Low to PAGED high  | 0   |     |      | ns      |
| $t_{PLXH}$     | PAGED low to CLKI high  | 150 |     |      | ns      |
| $t_{BVPH}$     | BS1 Valid before PAGED High   | 67  |     |      | ns      |
| $t_{PHPL}$     | PAGED Pulse Width High  | 150 |     |      | ns      |
| $t_{PLBX}$     | BS1 Hold after PAGED Low  | 67  |     |      | ns      |
| $t_{WL BX}$    | BS2/1 Hold after $\overline{WR}$ Low  | 67  |     |      | ns      |
| $t_{PLWL}$     | PAGED Low to $\overline{WR}$ Low  | 67  |     |      | ns      |
| $t_{BVWL}$     | BS2/1 Valid to $\overline{WR}$ Low  | 67  |     |      | ns      |
| $t_{WLWH}$     | $\overline{WR}$ Pulse Width Low   | 150 |     |      | ns      |
| $t_{WLRL}$     | $\overline{WR}$ Low to RDY/ $\overline{BSY}$ Low                                | 0   |     | 1    | $\mu s$ |
| $t_{WLRH}$     | $\overline{WR}$ Low to RDY/ $\overline{BSY}$ High <sup>(1)</sup>                | 3.7 |     | 4.5  | ms      |
| $t_{WLRH\_CE}$ | $\overline{WR}$ Low to RDY/ $\overline{BSY}$ High for Chip Erase <sup>(2)</sup> | 16  |     | 18.5 | ms      |
| $t_{XLOL}$     | CLKI Low to $\overline{OE}$ Low   | 0   |     |      | ns      |
| $t_{BVDV}$     | BS1 Valid to DATA valid   | 0   |     | 250  | ns      |
| $t_{OLDV}$     | $\overline{OE}$ Low to DATA Valid   |     |     | 250  | ns      |
| $t_{OHDZ}$     | $\overline{OE}$ High to DATA Tri-stated   |     |     | 250  | ns      |

- Notes:
1.  $t_{WLRH}$  is valid for the Write Flash, Write EEPROM, Write Fuse bits and Write Lock bits commands.
  2.  $t_{WLRH\_CE}$  is valid for the Chip Erase command.

## 31.9 Serial Downloading

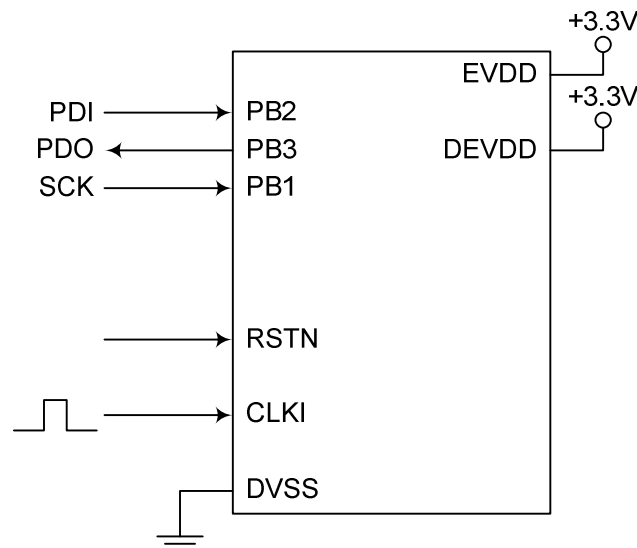
Both the Flash and EEPROM memory arrays can be programmed using a serial programming bus while RSTN is pulled to DVSS. The serial programming interface consists of pins SCK, PDI (input) and PDO (output). After RSTN is set low, the Programming Enable instruction needs to be executed first before program/erase operations can be executed. NOTE, in [Table 31-16 below](#), the pin mapping for serial programming is listed.

### 31.9.1 Serial Programming Pin Mapping

**Table 31-16.** Pin Mapping Serial Programming

| Symbol | Pins | I/O | Description     |
|--------|------|-----|-----------------|
| PDI    | PB2  | I   | Serial Data In  |
| PDO    | PB3  | O   | Serial Data Out |
| SCK    | PB1  | I   | Serial Clock    |

**Figure 31-13.** Serial Programming and Verify <sup>(1)(2)</sup>



- Notes:
1. If the device is clocked by the internal Oscillator, it is not required to connect a clock source to the CLKI pin.
  2.  $V_{DEVDD}-0.3V < V_{EVDD} < V_{DEVDD}+0.3V$ , both  $V_{EVDD}$  and  $V_{DEVDD}$  must stay in valid supply voltage limits.

When programming the EEPROM, an auto-erase cycle is built into the self-timed programming operation (in the Serial mode ONLY) and there is no need to first execute the Chip Erase instruction. The Chip Erase operation turns the content of every memory location in both the Program and EEPROM arrays into 0xFF.

Depending on CKSEL Fuses, a valid clock must be present. The minimum low and high periods for the serial clock (SCK) input are defined as follows:

Low: > 2 CPU clock cycles for  $f_{ck} < 12$  MHz, 3 CPU clock cycles for  $f_{ck} \geq 12$  MHz;

High: > 2 CPU clock cycles for  $f_{ck} < 12$  MHz, 3 CPU clock cycles for  $f_{ck} \geq 12$  MHz;

## 31.9.2 Serial Programming Algorithm

When writing serial data to the ATmega2564/1284/644RFR2, data is clocked on the rising edge of SCK.

When reading data from the ATmega2564/1284/644RFR2, data is clocked on the falling edge of SCK. See [Figure 31-15 on page 522](#) for timing details.

To program and verify the ATmega2564/1284/644RFR2 in the serial programming mode, the following sequence is recommended (See four byte instruction formats in [Table 31-18 on page 521](#)):

1. Power-up sequence: Apply power between DEVDD and DVSS while RSTN and SCK are set to "0". In some systems, the programmer can not guarantee that SCK is held low during power-up. In this case, RSTN must be given a positive pulse of at least two CPU clock cycles duration after SCK has been set to "0".
2. Wait for at least 20 ms and enable serial programming by sending the Programming Enable serial instruction to pin PDI.
3. The serial programming instructions will not work if the communication is out of synchronization. When in sync, the second byte (0x53), will echo back when issuing the third byte of the Programming Enable instruction. Whether the echo is correct or not, all four bytes of the instruction must be transmitted. If the 0x53 did not echo back, give RSTN a positive pulse and issue a new Programming Enable command.
4. The Flash is programmed one page at a time. The memory page is loaded one byte at a time by supplying the 7 LSB of the address and data together with the Load Program Memory Page instruction. To ensure correct loading of the page, the data low byte must be loaded before data high byte is applied for a given address. The Program Memory Page is stored by loading the Write Program Memory Page instruction with the address lines 15:8. Before issuing this command, make sure the instruction Load Address Extended High Byte has been used to define the MSB of the address. The address extended high byte with the address lines 23:16 is stored until the command is re-issued, i.e., the command needs only be issued for the first page, and when crossing the 64k word boundary. If polling (RDY/BSY) is not used, the user must wait at least  $t_{WD\_FLASH}$  before issuing the next page (see [Table 31-17 on page 521](#)). Accessing the serial programming interface before the Flash write operation completes can result in incorrect programming.
5. The EEPROM array is programmed one byte at a time by supplying the address and data together with the appropriate Write instruction. An EEPROM memory location is first automatically erased before new data is written. If polling is not used, the user must wait at least  $t_{WD\_EEPROM}$  before issuing the next byte (see [Table 31-17 on page 521](#)). In a chip erased device, no 0xFFs in the data file(s) need to be programmed.
6. Any memory location can be verified by using the Read instruction which returns the content at the selected address at serial output PDO. When reading the Flash memory, use the instruction Load Address Extended High Byte to define the upper address byte, which is not included in the Read Program Memory instruction. The address extended high byte with the address lines 23:16 is stored until the command is re-issued, i.e., the command needs only be issued for the first page, and when crossing the 64k word boundary.
7. At the end of the programming session, RSTN can be set high to commence normal operation.



8. Power-off sequence (if needed): Set RESET to “1”. Turn DEVDD power off.

**Table 31-17.** Minimum Wait Delay before writing the next Fuse/Flash/EEPROM location

| Symbol                    | Minimum Wait Delay |
|---------------------------|--------------------|
| t <sub>WD_FUSE</sub>      | 4.5 ms             |
| t <sub>WD_FLASH</sub>     | 4.5 ms             |
| t <sub>WD_EEPROM</sub>    | 13 ms              |
| t <sub>WD_CHIPERASE</sub> | 18.5 ms            |

### 31.9.3 Serial Programming Instruction Set

Table 31-18 below and Figure 31-14 on page 522 describe the Instruction set.

**Table 31-18.** Serial Programming Instruction Set <sup>(5)(6)</sup>

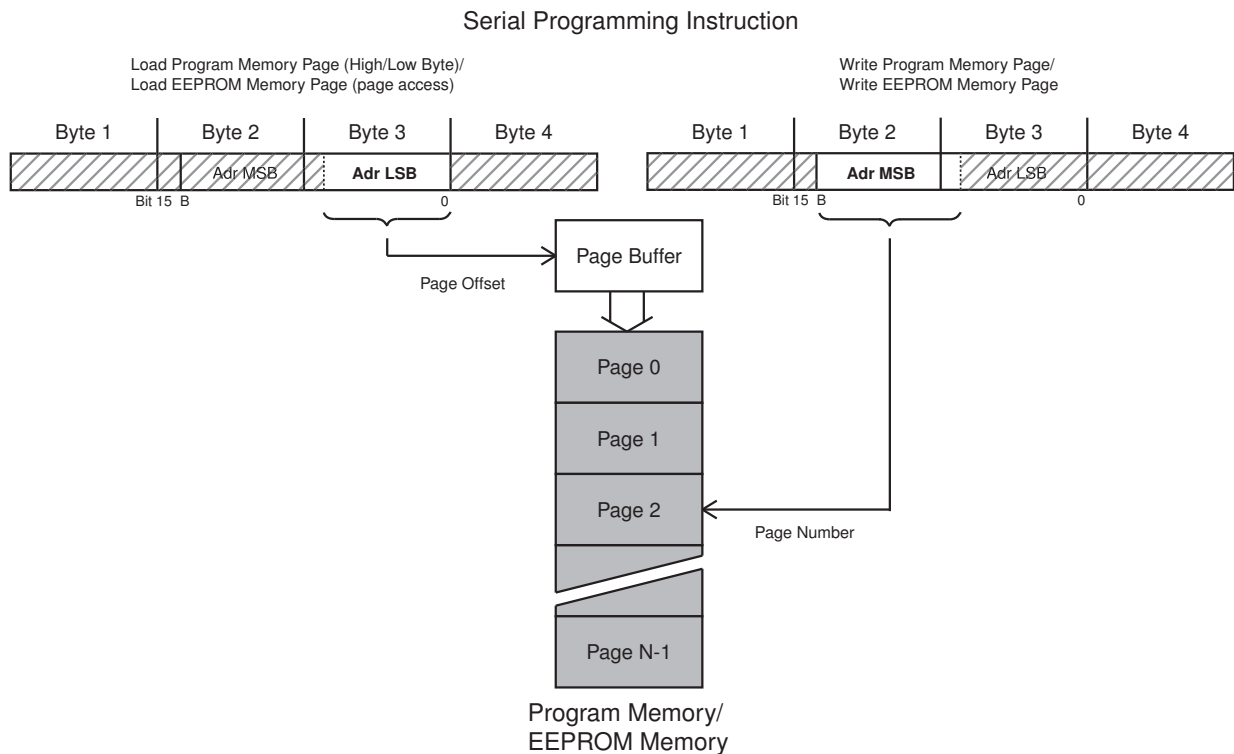
| Instruction/Operation                          | Instruction Format <sup>(2)</sup> |           |                |                    |
|--|-----------------------------------|-----------|----------------|--------------------|
|  | Byte1                             | Byte2     | Byte3          | Byte4              |
| Programming Enable                             | \$AC                              | \$53      | \$00           | \$00               |
| Chip Erase (Program Memory/EEPROM)             | \$AC                              | \$80      | \$00           | \$00               |
| Poll RDY/BSY                                   | \$F0                              | \$00      | \$00           | data byte out      |
| <b>Load Instruction</b>                        |                                   |           |                |                    |
| Load Address Extended High Byte <sup>(1)</sup> | \$4D                              | \$00      | Extended addr. | \$00               |
| Load Program Memory Page, High Byte            | \$48                              | \$00      | addr. LSB      | high data byte in  |
| Load Program Memory Page, Low Byte             | \$40                              | \$00      | addr. LSB      | low data byte in   |
| Load EEPROM Memory Page (page access)          | \$C1                              | \$00      | 0000 000aa     | data byte in       |
| <b>Read Instruction</b>                        |                                   |           |                |                    |
| Read Program Memory, High byte                 | \$28                              | addr. MSB | addr. LSB      | high data byte out |
| Read Program Memory, Low byte                  | \$20                              | addr. MSB | addr. LSB      | low data byte out  |
| Read EEPROM Memory                             | \$A0                              | 0000 aaaa | aaaa aaaa      | data byte out      |
| Read Lock Bits                                 | \$58                              | \$00      | \$00           | data byte out      |
| Read Signature Byte                            | \$30                              | \$00      | 0000 000aa     | data byte out      |
| Read Fuse Bits                                 | \$50                              | \$00      | \$00           | data byte out      |
| Read Fuse High Bits                            | \$58                              | \$08      | \$00           | data byte out      |
| Read Extended Fuse Bits                        | \$50                              | \$08      | \$00           | data byte out      |
| Read Calibration Byte                          | \$38                              | \$00      | \$00           | data byte out      |
| <b>Write Instructions <sup>(3)(4)</sup></b>    |                                   |           |                |                    |
| Write Program Memory Page                      | \$4C                              | addr. MSB | addr. LSB      | \$00               |
| Write EEPROM Memory                            | \$C0                              | 0000 aaaa | aaaa aaaa      | data byte in       |
| Write EEPROM Memory Page (page access)         | \$C2                              | 0000 aaaa | aaaa 00        | \$00               |
| Write Lock Bits                                | \$AC                              | \$E0      | \$00           | data byte in       |
| Write Fuse Bits                                | \$AC                              | \$A0      | \$00           | data byte in       |
| Write Fuse High Bits                           | \$AC                              | \$A8      | \$00           | data byte in       |
| Write Extended Fuse Bits                       | \$AC                              | \$A4      | \$00           | data byte in       |

- Notes:
1. Not all instructions are applicable for all parts.
  2. a = address.
  3. Bits are programmed '0', un-programmed '1'.

4. To ensure future compatibility, unused Fuses and Lock bits should be un-programmed ('1').
5. Refer to the corresponding section for Fuse and Lock bits, Calibration and Signature bytes and Page size.
6. See <http://www.atmel.com/avr> for Application Notes regarding programming and programmers.

If the LSB in RDY/BSY data byte out is '1', a programming operation is still pending. Wait until this bit returns '0' before the next instruction is carried out. Within the same page, the low data byte must be loaded prior to the high data byte. After data is loaded to the page buffer, program the EEPROM page; see [Figure 31-14](#) below.

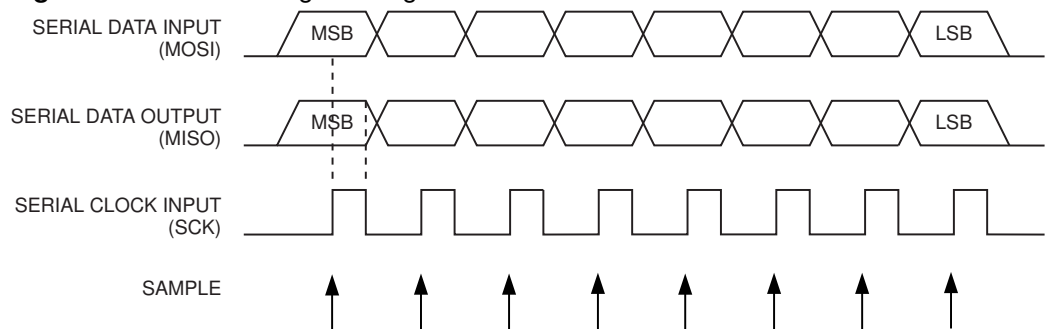
**Figure 31-14. Serial Programming Instruction Example**



### 31.9.4 Serial Programming Characteristics

For characteristics of the Serial Programming module see "[SPI Timing Characteristics](#)" on page 557.

**Figure 31-15. Serial Programming Waveforms**



### 31.10 Programming via the JTAG Interface

Programming through the JTAG interface requires control of the four JTAG specific pins: TCK, TMS, TDI, and TDO. Control of the reset and clock pins is not required.

To be able to use the JTAG interface, the JTAGEN Fuse must be programmed. The device is default shipped with the fuse programmed. In addition, the JTD bit in MCUCR must be cleared. Alternatively, if the JTD bit is set, the external reset can be forced low. Then, the JTD bit will be cleared after two chip clocks, and the JTAG pins are available for programming. This provides a means of using the JTAG pins as normal port pins in running mode while still allowing In-System Programming via the JTAG interface. Note that this technique can not be used when using the JTAG pins for Boundary-scan or On-chip Debug. In these cases the JTAG pins must be dedicated for this purpose.

During programming the clock frequency of the TCK Input must be less than the maximum frequency of the chip. The System Clock Prescaler can not be used to divide the TCK Clock Input into a sufficiently low frequency.

As a definition in this datasheet, the LSB is shifted in and out first of all Shift Registers.

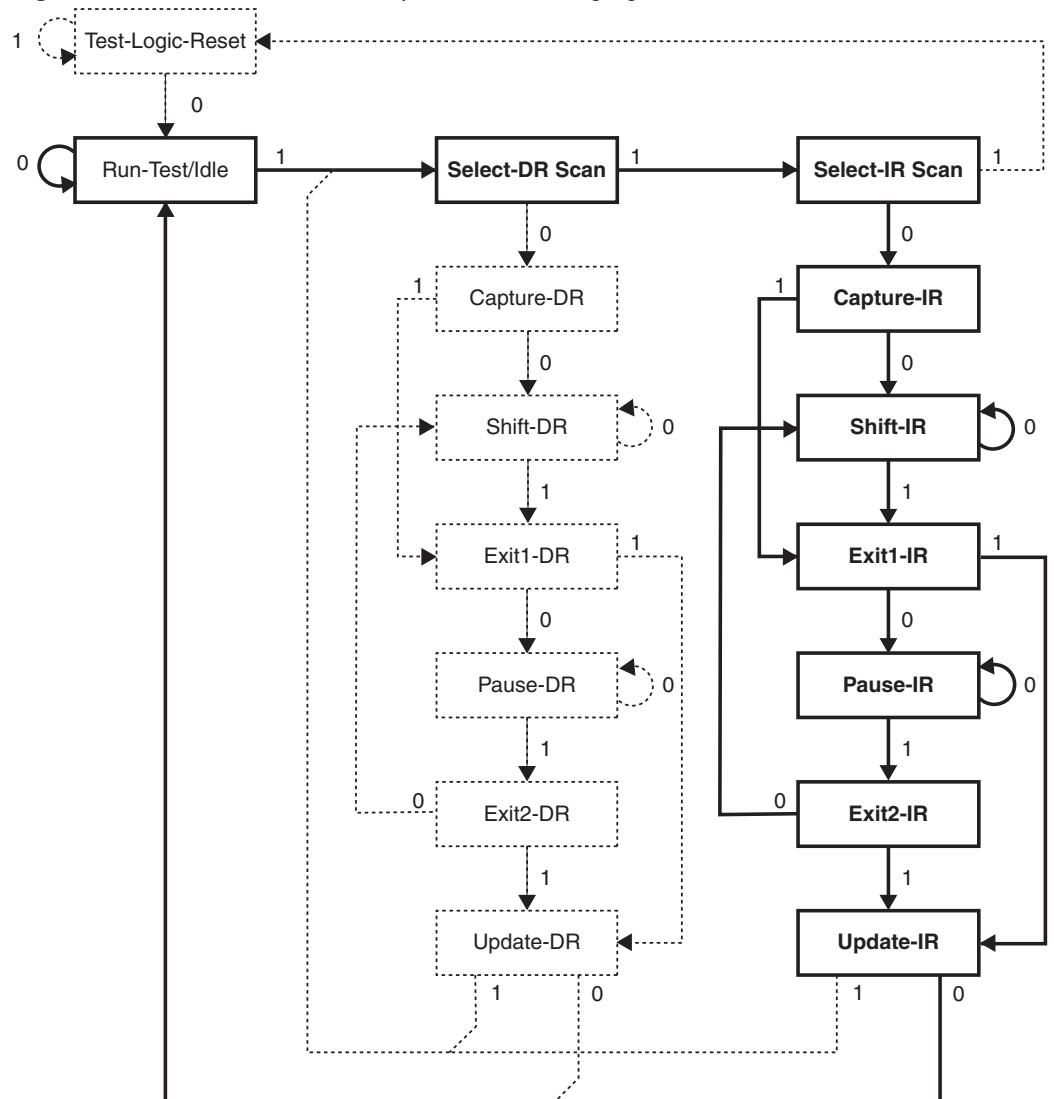
#### 31.10.1 Programming Specific JTAG Instructions

The Instruction Register is 4-bit wide, supporting up to 16 instructions. The JTAG instructions useful for programming are listed below.

The OPCODE for each instruction is shown behind the instruction name in hex format. The text describes which Data Register is selected as path between TDI and TDO for each instruction.

The Run-Test/Idle state of the TAP-controller is used to generate internal clocks. It can also be used as an idle state between JTAG sequences. The state machine sequence for changing the instruction word is shown in [Figure 31-16](#) on page 524.

**Figure 31-16.** State Machine Sequence for Changing the Instruction Word



### 31.10.2 AVR\_RESET (0xC)

The AVR specific public JTAG instruction is used for setting the AVR device in the Reset mode or taking the device out from the Reset mode. The TAP-controller is not reset by this instruction. The one bit Reset Register is selected as Data Register. Note that the reset will be active as long as there is a logic “one” in the Reset Chain. The output from this chain is not latched.

The active states are:

- Shift-DR: The Reset Register is shifted by the TCK input.

### 31.10.3 PROG\_ENABLE (0x4)

The AVR specific public JTAG instruction enables programming via the JTAG port. The 16-bit Programming Enable Register is selected as Data Register. The active states are the following:

- Shift-DR: The programming enable signature is shifted into the Data Register.

- Update-DR: The programming enable signature is compared to the correct value, and Programming mode is entered if the signature is valid.

## 31.10.4 PROG\_COMMANDS (0x5)

The AVR specific public JTAG instruction is used for entering programming commands via the JTAG port. The 15-bit Programming Command Register is selected as Data Register. The active states are the following:

- Capture-DR: The result of the previous command is loaded into the Data Register.
- Shift-DR: The Data Register is shifted by the TCK input, shifting out the result of the previous command and shifting in the new command.
- Update-DR: The programming command is applied to the Flash inputs.
- Run-Test/Idle: One clock cycle is generated, executing the applied command.

## 31.10.5 PROG\_PAGELOAD (0x6)

The AVR specific public JTAG instruction directly loads the Flash data page via the JTAG port. An 8-bit Flash Data Byte Register is selected as the Data Register. This is physically the 8 LSB's of the Programming Command Register. The active states are the following:

- Shift-DR: The Flash Data Byte Register is shifted by the TCK input.
- Update-DR: The content of the Flash Data Byte Register is copied into a temporary register. A write sequence is initiated that within 11 TCK cycles loads the content of the temporary register into the Flash page buffer. The AVR automatically alternates between writing the low and the high byte for each new Update-DR state, starting with the low byte for the first Update-DR encountered after entering the PROG\_PAGELOAD command. The Program Counter is pre-incremented before writing the low byte, except for the first written byte. This ensures that the first data is written to the address set up by PROG\_COMMANDS, and loading the last location in the page buffer does not make the program counter increment into the next page.

## 31.10.6 PROG\_PAGEREAD (0x7)

The AVR specific public JTAG instruction directly captures the Flash content via the JTAG port. An 8-bit Flash Data Byte Register is selected as the Data Register. This is physically the 8 LSB's of the Programming Command Register. The active states are the following:

- Capture-DR: The content of the selected Flash byte is captured into the Flash Data Byte Register. The AVR automatically alternates between reading the low and the high byte for each new Capture-DR state, starting with the low byte for the first Capture-DR encountered after entering the PROG\_PAGEREAD command. The Program Counter is post-incremented after reading each high byte, including the first read byte. This ensures that the first data is captured from the first address set up by PROG\_COMMANDS, and reading the last location in the page makes the program counter increment into the next page.
- Shift-DR: The Flash Data Byte Register is shifted by the TCK input.

## 31.10.7 Data Registers

The Data Registers are selected by the JTAG instruction registers described in section ["Programming Specific JTAG Instructions" on page 523](#). The Data Registers relevant for programming operations are:

- Reset Register

- Programming Enable Register
- Programming Command Register
- Flash Data Byte Register

### 31.10.8 Reset Register

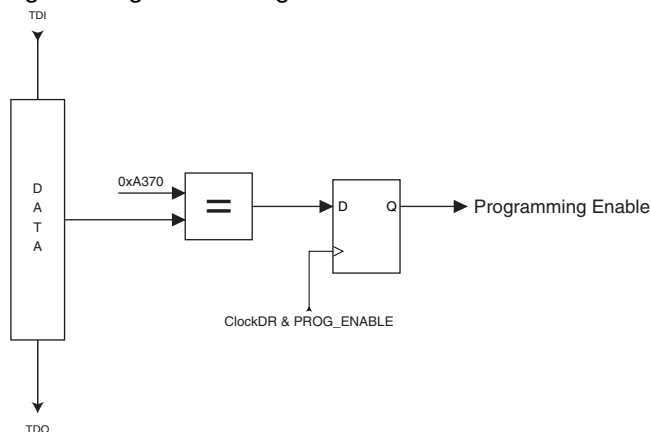
The Reset Register is a Test Data Register used to reset the part during programming. It is required to reset the part before entering Programming mode.

A high value in the Reset Register corresponds to pulling the external reset low. The part is reset as long as there is a high value present in the Reset Register. Depending on the Fuse settings for the clock options, the part will remain reset for a Reset Timeout period (refer to "Clock Sources" on page 175) after releasing the Reset Register. The output from this Data Register is not latched, so the reset will take place immediately, as shown in "Figure 29-2" on page 478.

### 31.10.9 Programming Enable Register

The Programming Enable Register is a 16-bit register. The content of this register is compared to the programming enable signature, binary code 1010\_0011\_0111\_0000. When the content of the register is equal to the programming enable signature, programming via the JTAG port is enabled. The register is reset to 0 on Power-on Reset, and should always be reset when leaving Programming mode.

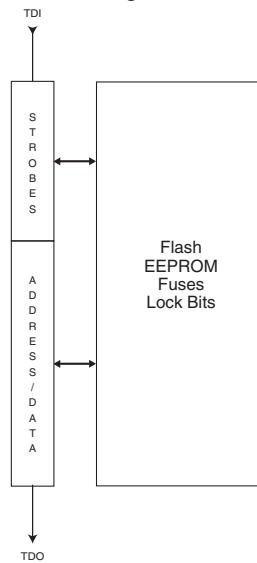
**Figure 31-17.** Programming Enable Register



### 31.10.10 Programming Command Register

The Programming Command Register is a 15-bit register. This register is used to serially shift in programming commands, and to serially shift out the result of the previous command, if any. The JTAG Programming Instruction Set is shown in Table 31-19 on page 527. The state sequence when shifting in the programming commands is illustrated in Figure 31-19 on page 530.

**Figure 31-18. Programming Command Register**



**Table 31-19. JTAG Programming Instruction** (set **a** = address high bits, **b** = address low bits, **c** = address extended bits, **H** = 0 - Low byte, 1 - High Byte, **o** = data out, **i** = data in, **x** = don't care)

| Instruction                         | TDI Sequence   | TDO Sequence   | Notes |
|-------------------------------------|--|--|-------|
| 1a. Chip Erase                      | 0100011_10000000<br>0110001_10000000<br>0110011_10000000<br>0110011_10000000 | xxxxxxx_xxxxxxxx<br>xxxxxxx_xxxxxxxx<br>xxxxxxx_xxxxxxxx<br>xxxxxxx_xxxxxxxx |       |
| 1b. Poll for Chip Erase Complete    | 0110011_10000000   | xxxxx <b>o</b> x_xxxxxxxx  | (2)   |
| 1c. Chip Erase EEPROM only          | 0100011_10000010<br>0110001_10000010<br>0110011_10000010<br>0110011_10000010 | xxxxxxx_xxxxxxxx<br>xxxxxxx_xxxxxxxx<br>xxxxxxx_xxxxxxxx<br>xxxxxxx_xxxxxxxx |       |
| 2a. Enter Flash Write               | 0100011_00010000   | xxxxxxx_xxxxxxxx   |       |
| 2b. Load Address Extended High Byte | 0001011_ <b>cccccccc</b>   | xxxxxxx_xxxxxxxx   | (10)  |
| 2c. Load Address High Byte          | 0000111_ <b>aaaaaaaa</b>   | xxxxxxx_xxxxxxxx   |       |
| 2d. Load Address Low Byte           | 0000011_ <b>bbbbbbbb</b>   | xxxxxxx_xxxxxxxx   |       |
| 2e. Load Data Low Byte              | 0010011_ <b>iiiiiiii</b>   | xxxxxxx_xxxxxxxx   |       |
| 2f. Load Data High Byte             | 0010111_ <b>iiiiiiii</b>   | xxxxxxx_xxxxxxxx   |       |
| 2g. Latch Data                      | 0110111_00000000<br>1110111_00000000<br>0110111_00000000                     | xxxxxxx_xxxxxxxx<br>xxxxxxx_xxxxxxxx<br>xxxxxxx_xxxxxxxx                     | (1)   |
| 2h. Write Flash Page                | 0110111_00000000<br>0110101_00000000<br>0110111_00000000<br>0110111_00000000 | xxxxxxx_xxxxxxxx<br>xxxxxxx_xxxxxxxx<br>xxxxxxx_xxxxxxxx<br>xxxxxxx_xxxxxxxx | (1)   |
| 2i. Poll for Page Write Complete    | 0110111_00000000   | xxxxx <b>o</b> x_xxxxxxxx  | (2)   |
| 3a. Enter Flash Read                | 0100011_00000010   | xxxxxxx_xxxxxxxx   |       |
| 3b. Load Address Extended High Byte | 0001011_ <b>cccccccc</b>   | xxxxxxx_xxxxxxxx   | (10)  |

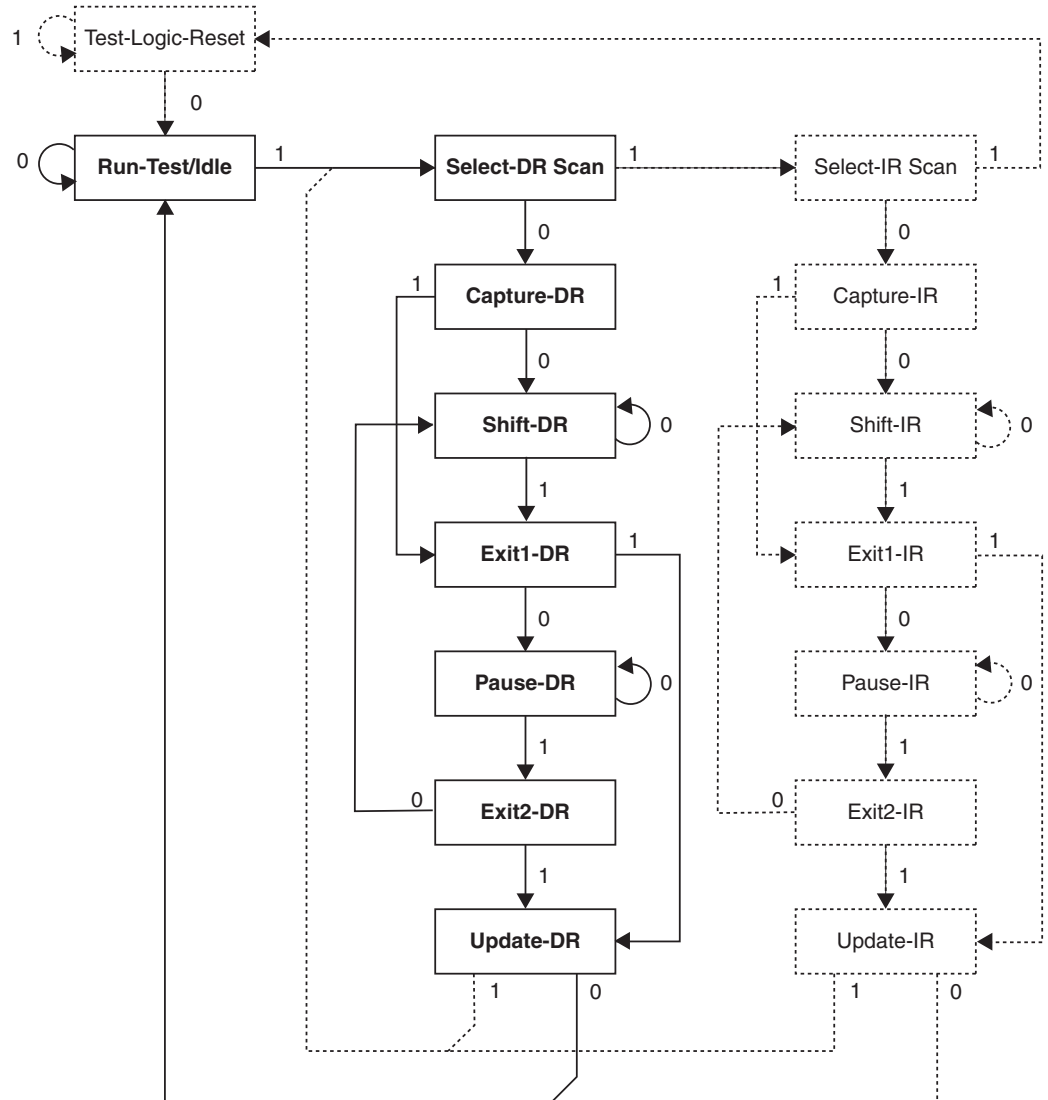
| Instruction                      | TDI Sequence   | TDO Sequence   | Notes                 |
|----------------------------------|--|--|-----------------------|
| 3c. Load Address High Byte       | 0000111_ <b>aaaaaaa</b>  | xxxxxxx_ xxxxxxxx  |                       |
| 3d. Load Address Low Byte        | 0000011_ <b>bbbbbbb</b>  | xxxxxxx_ xxxxxxxx  |                       |
| 3e. Read Data Low and High Byte  | 0110010_00000000<br>0110110_00000000<br>0110111_00000000                     | xxxxxxx_ xxxxxxxx<br>xxxxxxx_ <b>00000000</b><br>xxxxxxx_ <b>00000000</b>        | Low byte<br>High byte |
| 4a. Enter EEPROM Write           | 0100011_00010001   | xxxxxxx_ xxxxxxxx  |                       |
| 4b. Load Address High Byte       | 0000111_ <b>aaaaaaa</b>  | xxxxxxx_ xxxxxxxx  | (10)                  |
| 4c. Load Address Low Byte        | 0000011_ <b>bbbbbbb</b>  | xxxxxxx_ xxxxxxxx  |                       |
| 4d. Load Data Byte               | 0010011_ <b>iiiiiii</b>  | xxxxxxx_ xxxxxxxx  |                       |
| 4e. Latch Data                   | 0110111_00000000<br>1110111_00000000<br>0110111_00000000                     | xxxxxxx_ xxxxxxxx<br>xxxxxxx_ xxxxxxxx<br>xxxxxxx_ xxxxxxxx                      | (1)                   |
| 4f. Write EEPROM Page            | 0110011_00000000<br>0110001_00000000<br>0110011_00000000<br>0110011_00000000 | xxxxxxx_ xxxxxxxx<br>xxxxxxx_ xxxxxxxx<br>xxxxxxx_ xxxxxxxx<br>xxxxxxx_ xxxxxxxx | (1)                   |
| 4g. Poll for Page Write Complete | 0110011_00000000   | xxxxx <b>ox</b> _ xxxxxxxx   | (2)                   |
| 4h. Enter EEPROM Erase           | 0100011_10000011   | xxxxxxx_ xxxxxxxx  |                       |
| 5a. Enter EEPROM Read            | 0100011_00000011   | xxxxxxx_ xxxxxxxx  |                       |
| 5b. Load Address High Byte       | 0000111_ <b>aaaaaaa</b>  | xxxxxxx_ xxxxxxxx  | (10)                  |
| 5c. Load Address Low Byte        | 0000011_ <b>bbbbbbb</b>  | xxxxxxx_ xxxxxxxx  |                       |
| 5d. Read Data Byte               | 0110011_ <b>bbbbbbb</b><br>0110010_00000000<br>0110011_00000000              | xxxxxxx_ xxxxxxxx<br>xxxxxxx_ xxxxxxxx<br>xxxxxxx_ <b>00000000</b>               |                       |
| 6a. Enter Fuse Write             | 0100011_01000000   | xxxxxxx_ xxxxxxxx  |                       |
| 6b. Load Data Low Byte           | 0010011_ <b>iiiiiii</b>  | xxxxxxx_ xxxxxxxx  | (3)(6)                |
| 6c. Write Fuse Extended Byte     | 0111011_00000000<br>0111001_00000000<br>0111011_00000000<br>0111011_00000000 | xxxxxxx_ xxxxxxxx<br>xxxxxxx_ xxxxxxxx<br>xxxxxxx_ xxxxxxxx<br>xxxxxxx_ xxxxxxxx | (1)                   |
| 6d. Poll for Fuse Write Complete | 0110111_00000000   | xxxxx <b>ox</b> _ xxxxxxxx   | (2)                   |
| 6e. Load Data Low Byte           | 0010011_ <b>iiiiiii</b>  | xxxxxxx_ xxxxxxxx  | (3)(7)                |
| 6f. Write Fuse High Byte         | 0110111_00000000<br>0110101_00000000<br>0110111_00000000<br>0110111_00000000 | xxxxxxx_ xxxxxxxx<br>xxxxxxx_ xxxxxxxx<br>xxxxxxx_ xxxxxxxx<br>xxxxxxx_ xxxxxxxx | (1)                   |
| 6g. Poll for Fuse Write Complete | 0110111_00000000   | xxxxx <b>ox</b> _ xxxxxxxx   | (2)                   |
| 6h. Load Data Low Byte           | 0010011_ <b>iiiiiii</b>  | xxxxxxx_ xxxxxxxx  | (3)(8)                |
| 6i. Write Fuse Low Byte          | 0110011_00000000<br>0110001_00000000<br>0110011_00000000<br>0110011_00000000 | xxxxxxx_ xxxxxxxx<br>xxxxxxx_ xxxxxxxx<br>xxxxxxx_ xxxxxxxx<br>xxxxxxx_ xxxxxxxx | (1)                   |
| 6j. Poll for Fuse Write Complete | 0110011_00000000   | xxxxx <b>ox</b> _ xxxxxxxx   | (2)                   |
| 7a. Enter Lock Bit Write         | 0100011_00100000   | xxxxxxx_ xxxxxxxx  |                       |



| Instruction                          | TDI Sequence   | TDO Sequence   | Notes   |
|--------------------------------------|--|--|---|
| 7b. Load Data Byte                   | 0010011_11iiiiii   | xxxxxxx_xxxxxxxx   | (4)(9)  |
| 7c. Write Lock Bits                  | 0110011_00000000<br>0110001_00000000<br>0110011_00000000<br>0110011_00000000                     | xxxxxxx_xxxxxxxx<br>xxxxxxx_xxxxxxxx<br>xxxxxxx_xxxxxxxx<br>xxxxxxx_xxxxxxxx                     | (1)   |
| 7d. Poll for Lock Bit Write complete | 0110011_00000000   | xxxxx0x_xxxxxxxx   | (2)   |
| 8a. Enter Fuse/Lock Bit Read         | 0100011_00000100   | xxxxxxx_xxxxxxxx   |   |
| 8b. Read Extended Fuse Byte          | 0111010_00000000<br>0111011_00000000   | xxxxxxx_xxxxxxxx<br>xxxxxxx_00000000   | (6)(5)  |
| 8c. Read Fuse High Byte              | 0111110_00000000<br>0111111_00000000   | xxxxxxx_xxxxxxxx<br>xxxxxxx_00000000   | (7)(5)  |
| 8d. Read Fuse Low Byte               | 0110010_00000000<br>0110011_00000000   | xxxxxxx_xxxxxxxx<br>xxxxxxx_00000000   | (8)(5)  |
| 8e. Read Lock Bits                   | 0110110_00000000<br>0110111_00000000   | xxxxxxx_xxxxxxxx<br>xxxxxxx_x0000000   | (9)(5)  |
| 8f. Read Fuses and Lock Bits         | 0111010_00000000<br>0111110_00000000<br>0110010_00000000<br>0110110_00000000<br>0110111_00000000 | xxxxxxx_xxxxxxxx<br>xxxxxxx_00000000<br>xxxxxxx_00000000<br>xxxxxxx_00000000<br>xxxxxxx_00000000 | (5)<br>Fuse Ext. byte<br>Fuse High byte<br>Fuse Low byte<br>Lock bits |
| 9a. Enter Signature Byte Read        | 0100011_00001000   | xxxxxxx_xxxxxxxx   |   |
| 9b. Load Address Byte                | 0000011_ bbbbbbbb  | xxxxxxx_xxxxxxxx   |   |
| 9c. Read Signature Byte              | 0110010_00000000<br>0110011_00000000   | xxxxxxx_xxxxxxxx<br>xxxxxxx_00000000   |   |
| 9d. Enter User Signature Page Write  | 0100011_00010010   | xxxxxxx_xxxxxxxx   | (12)  |
| 9e. Enter User Signature Page Erase  | 0100011_10000100   | xxxxxxx_xxxxxxxx   | (12)  |
| 10a. Enter Calibration Byte Read     | 0100011_00001000   | xxxxxxx_xxxxxxxx   |   |
| 10b. Load Address Byte               | 0000011_ bbbbbbbb  | xxxxxxx_xxxxxxxx   |   |
| 10c. Read Calibration Byte           | 0110110_00000000<br>0110111_00000000   | xxxxxxx_xxxxxxxx<br>xxxxxxx_00000000   |   |
| 11a. Load No Operation Command       | 0100011_00000000<br>0110011_00000000   | xxxxxxx_xxxxxxxx<br>xxxxxxx_xxxxxxxx   |   |

- Notes:
1. This command sequence is not required if the seven MSB's are correctly set by the previous command sequence (which is normally the case).
  2. Repeat until o = "1".
  3. Set bits to "0" to program the corresponding Fuse, "1" to un-program the Fuse.
  4. Set bits to "0" to program the corresponding Lock bit, "1" to leave the Lock bit unchanged.
  5. "0" = programmed, "1" = un-programmed.
  6. The bit mapping for Fuses Extended byte is listed in [Table 31-3 on page 503](#).
  7. The bit mapping for Fuses High byte is listed in [Table 31-4 on page 503](#).
  8. The bit mapping for Fuses Low byte is listed in [Table 31-5 on page 504](#).
  9. The bit mapping for Lock bits byte is listed in [Table 31-1 on page 502](#).
  10. Address bits exceeding PCMSB and EEAMSB ([Table 31-7 on page 505](#) and [Table 31-8 on page 505](#)) are don't care.
  11. All TDI and TDO sequences are represented by binary digits.
  12. See ["User Signature Data" on page 505](#).

**Figure 31-19.** State Machine Sequence for Changing/Reading the Data Word



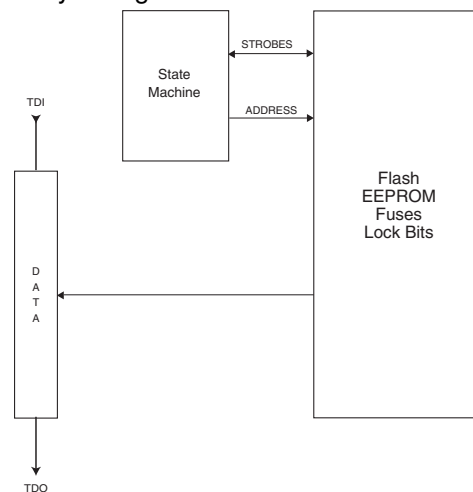
## 31.10.11 Flash Data Byte Register

The Flash Data Byte Register provides an efficient way to load the entire Flash page buffer before executing Page Write, or to read out/verify the content of the Flash. A state machine sets up the control signals to the Flash and senses the strobe signals from the Flash, thus only the data words need to be shifted in/out.

The Flash Data Byte Register actually consists of the 8-bit scan chain and an 8-bit temporary register. During page load, the Update-DR state copies the content of the scan chain over to the temporary register and initiates a write sequence that within 11 TCK cycles loads the content of the temporary register into the Flash page buffer. The AVR automatically alternates between writing the low and the high byte for each new Update-DR state, starting with the low byte for the first Update-DR encountered after entering the PROG\_PAGELOAD command. The Program Counter is pre-incremented before writing the low byte, except for the first written byte. This ensures that the first data is written to the address set up by PROG\_COMMANDS, and loading the last location in the page buffer does not make the Program Counter increment into the next page.

During Page Read, the content of the selected Flash byte is captured into the Flash Data Byte Register during the Capture-DR state. The AVR automatically alternates between reading the low and the high byte for each new Capture-DR state, starting with the low byte for the first Capture-DR encountered after entering the PROG\_PAGEREAD command. The Program Counter is post-incremented after reading each high byte, including the first read byte. This ensures that the first data is captured from the first address set up by PROG\_COMMANDS, and reading the last location in the page makes the program counter increment into the next page.

**Figure 31-20.** Flash Data Byte Register



The state machine controlling the Flash Data Byte Register is clocked by TCK. During normal operation in which eight bits are shifted for each Flash byte, the clock cycles needed to navigate through the TAP-controller automatically feeds the state machine for the Flash Data Byte Register with sufficient number of clock pulses to complete its operation transparently for the user. However, if too few bits are shifted between each Update-DR state during page load, the TAP-controller should stay in the Run-Test/Idle state for some TCK cycles to ensure that there are at least 11 TCK cycles between each Update-DR state.

### 31.10.12 Programming Algorithm

All references below of type “1a”, “1b”, and so on, refer to [Table 31-19 on page 527](#).

### 31.10.13 Entering Programming Mode

7. Enter JTAG instruction AVR\_RESET and shift 1 in the Reset Register.
8. Enter instruction PROG\_ENABLE and shift 0b1010\_0011\_0111\_0000 in the Programming Enable Register.

### 31.10.14 Leaving Programming Mode

1. Enter JTAG instruction PROG\_COMMANDS.
2. Disable all programming instructions by using no operation instruction 11a.
3. Enter instruction PROG\_ENABLE and shift 0b0000\_0000\_0000\_0000 in the programming Enable Register.
4. Enter JTAG instruction AVR\_RESET and shift 0 in the Reset Register.

### 31.10.15 Performing Chip Erase

1. Enter JTAG instruction PROG\_COMMANDS.
2. Start Chip Erase using programming instruction 1a.
3. Poll for Chip Erase complete using programming instruction 1b, or wait for  $t_{WLRH\_CE}$  (refer to [Table 31-15 on page 518](#)).

### 31.10.16 Programming the Flash

Before programming the Flash a Chip Erase must be performed, see section ["Performing Chip Erase" above](#).

1. Enter JTAG instruction PROG\_COMMANDS.
2. Enable Flash write using programming instruction 2a.
3. Load Extended High byte of address using programming instruction 2b.
4. Load High byte of address using programming instruction 2c.
5. Load Low byte of address using programming instruction 2d.
6. Load data using programming instructions 2e, 2f and 2g.
7. Repeat steps 5 and 6 for all instruction words in the page.
8. Write the page using programming instruction 2h.
9. Poll for Flash write complete using programming instruction 2i, or wait for  $t_{WLRH}$  (refer to [Table 31-15 on page 518](#)).
10. Repeat steps 4 to 9 until all data have been programmed.

A more efficient data transfer can be achieved using the PROG\_PAGELOAD instruction:

1. Enter JTAG instruction PROG\_COMMANDS.
2. Enable Flash write using programming instruction 2a.
3. Load the page address using programming instructions 2b, 2c and 2d. PCWORD (refer to [Table 31-7 on page 505](#)) is used to address within one page and must be written as 0.
4. Enter JTAG instruction PROG\_PAGELOAD.
5. Load the entire page by shifting in all instruction words in the page byte-by-byte, starting with the LSB of the first instruction in the page and ending with the MSB of the last instruction in the page. Use Update-DR to copy the contents of the Flash

Data Byte Register into the Flash page location and to auto-increment the Program Counter before each new word.

6. Enter JTAG instruction PROG\_COMMANDS.
7. Write the page using programming instruction 2h.
8. Poll for Flash write complete using programming instruction 2i, or wait for  $t_{WLRH}$  (refer to [Table 31-15 on page 518](#)).
9. Repeat steps 3 to 8 until all data have been programmed.

## 31.10.17 Reading the Flash

1. Enter JTAG instruction PROG\_COMMANDS.
2. Enable Flash read using programming instruction 3a.
3. Load address using programming instructions 3b, 3c and 3d.
4. Read data using programming instruction 3e.
5. Repeat steps 3 and 4 until all data have been read.

A more efficient data transfer can be achieved using the PROG\_PAGEREAD instruction:

1. Enter JTAG instruction PROG\_COMMANDS.
2. Enable Flash read using programming instruction 3a.
3. Load the page address using programming instructions 3b, 3c and 3d. PCWORD (refer to [Table 31-7 on page 505](#)) is used to address within one page and must be written as 0.
4. Enter JTAG instruction PROG\_PAGEREAD.
5. Read the entire page (or Flash) by shifting out all instruction words in the page (or Flash), starting with the LSB of the first instruction in the page (Flash) and ending with the MSB of the last instruction in the page (Flash). The Capture-DR state both captures the data from the Flash, and also auto-increments the program counter after each word is read. Note that Capture-DR comes before the shift-DR state. Hence, the first byte which is shifted out contains valid data.
6. Enter JTAG instruction PROG\_COMMANDS.
7. Repeat steps 3 to 6 until all data have been read.

## 31.10.18 Programming the EEPROM

The EEPROM must be erased before being programmed. A Chip Erase always erases both Flash and EEPROM memories, see ["Performing Chip Erase" on page 532](#).

1. Enter JTAG instruction PROG\_COMMANDS.
2. Enable EEPROM write using programming instruction 4a.
3. Load High byte of address using programming instruction 4b.
4. Load Low byte of address using programming instruction 4c.
5. Load data using programming instructions 4d and 4e.
6. Repeat steps 4 and 5 for all data bytes in the page.
7. Write the data using programming instruction 4f.
8. Poll for EEPROM write complete using programming instruction 4g, or wait for  $t_{WLRH}$  (refer to [Table 31-15 on page 518](#)).
9. Repeat steps 3 to 8 until all data have been programmed.

Note that the PROG\_PAGELOAD instruction can not be used when programming the EEPROM.

### 31.10.19 Reading the EEPROM

1. Enter JTAG instruction PROG\_COMMANDS.
2. Enable EEPROM read using programming instruction 5a.
3. Load address using programming instructions 5b and 5c.
4. Read data using programming instruction 5d.
5. Repeat steps 3 and 4 until all data have been read.

Note that the PROG\_PAGEREAD instruction can not be used when reading the EEPROM.

### 31.10.20 Programming the Fuses

1. Enter JTAG instruction PROG\_COMMANDS.
2. Enable Fuse write using programming instruction 6a.
3. Load data high byte using programming instructions 6b. A bit value of “0” will program the corresponding fuse; a “1” will un-program the fuse.
4. Write Fuse High byte using programming instruction 6c.
5. Poll for Fuse write complete using programming instruction 6d, or wait for  $t_{WLRH}$  (refer to [Table 31-15 on page 518](#)).
6. Load data low byte using programming instructions 6e. A “0” will program the fuse, a “1” will un-program the fuse.
7. Write Fuse low byte using programming instruction 6f.
8. Poll for Fuse write complete using programming instruction 6g, or wait for  $t_{WLRH}$  (refer to [Table 31-15 on page 518](#)).

### 31.10.21 Programming the Lock Bits

1. Enter JTAG instruction PROG\_COMMANDS.
2. Enable Lock bit write using programming instruction 7a.
3. Load data using programming instructions 7b. A bit value of “0” will program the corresponding lock bit, a “1” will leave the lock bit unchanged.
4. Write Lock bits using programming instruction 7c.
5. Poll for Lock bit write complete using programming instruction 7d, or wait for  $t_{WLRH}$  (refer to [Table 31-15 on page 518](#)).

### 31.10.22 Reading the Fuses and Lock Bits

1. Enter JTAG instruction PROG\_COMMANDS.
2. Enable Fuse/Lock bit read using programming instruction 8a.
3. To read all Fuses and Lock bits, use programming instruction 8e.  
To only read Fuse High byte, use programming instruction 8b.  
To only read Fuse Low byte, use programming instruction 8c.  
To only read Lock bits, use programming instruction 8d.

### 31.10.23 Reading the Signature Bytes

1. Enter JTAG instruction PROG\_COMMANDS.
2. Enable Signature byte read using programming instruction 9a.
3. Load address 0x00 using programming instruction 9b.
4. Read first signature byte using programming instruction 9c.

5. Repeat steps 3 and 4 with address 0x01 and address 0x02 to read the second and third signature bytes, respectively.

## 31.10.24 Reading the Calibration Byte

1. Enter JTAG instruction PROG\_COMMANDS.
2. Enable Calibration byte read using programming instruction 10a.
3. Load address 0x00 using programming instruction 10b.
4. Read the calibration byte using programming instruction 10c.

## 31.10.25 Performing Chip Erase of only the EEPROM

The EEPROM must be erased before being programmed. A Chip Erase always erases both Flash and EEPROM memories, see ["Performing Chip Erase" on page 532](#). This command allows erasing only the EEPROM contents. The Flash, Lock and Fuse bits are not changed.

1. Enter JTAG instruction PROG\_COMMANDS.
2. Start EEPROM Chip Erase using programming instruction 1c.
3. Poll for Chip Erase complete using programming instruction 1b, or wait for  $t_{WLRH}$  (refer to [Table 31-15 on page 518](#)).

Note: 13. The EEPROM memory is also preserved during this special Chip Erase if the EESAVE Fuse is programmed.

## 31.10.26 Erasing an EEPROM Page

The EEPROM must be erased before being programmed. A Chip Erase always erases the entire EEPROM memory. This command allows erasing selected bytes up to an entire page of EEPROM memory.

1. Enter JTAG instruction PROG\_COMMANDS.
2. Enable EEPROM erase using programming instruction 4h.
3. Load High byte of address using programming instruction 4b.
4. Load Low byte of address using programming instruction 4c.
5. Latch the address using programming instructions 4e.
6. Repeat steps 4 and 5 for all data bytes in the page.
7. Erase the data using programming instruction 4f.
8. Poll for EEPROM write complete using programming instruction 4g, or wait for  $t_{WLRH}$  (refer to [Table 31-15 on page 518](#)).
9. Repeat steps 3 to 8 until all data have been erased.

Note that the PROG\_PAGELOAD instruction can not be used when programming the EEPROM.

Note: 1. The EEPROM memory is **not** preserved during the EEPROM page erase if the EESAVE Fuse is programmed.

### 31.10.27 Programming User Signature Data

Three Flash pages are dedicated for user signature data (see ["User Signature Data" on page 505](#) for details). Before programming the user signature pages a Page Erase must be performed, see section ["Erasing User Signature Data" below](#).

1. Enter JTAG instruction PROG\_COMMANDS.
2. Enable user signature page write using programming instruction 9d.
3. Load High byte of address using programming instruction 2c (0x01, 0x02 or 0x03).
4. Load Low byte of address using programming instruction 2d.
5. Load data using programming instructions 2e, 2f and 2g.
6. Repeat steps 4 and 5 for all instruction words in the page.
7. Write the user signature page using programming instruction 2h.
8. Poll for Flash write complete using programming instruction 2i, or wait for  $t_{WLRH}$  (refer to [Table 31-15 on page 518](#)).
9. Repeat steps 4 to 9 until all user signature data have been programmed.

A more efficient data transfer can be achieved using the PROG\_PAGELOAD instruction:

1. Enter JTAG instruction PROG\_COMMANDS.
2. Enable user signature page write using programming instruction 9d.
3. Load the page address using programming instructions 2c and 2d. PCWORD (refer to [Table 31-7 on page 505](#)) is used to address within one page and must be written as 0.
4. Enter JTAG instruction PROG\_PAGELOAD.
5. Load the entire page by shifting in all instruction words in the page byte-by-byte, starting with the LSB of the first instruction in the page and ending with the MSB of the last instruction in the page. Use Update-DR to copy the contents of the Flash Data Byte Register into the Flash page location and to auto-increment the Program Counter before each new word.
6. Enter JTAG instruction PROG\_COMMANDS.
7. Write the user signature page using programming instruction 2h.
8. Poll for Flash write complete using programming instruction 2i, or wait for  $t_{WLRH}$  (refer to [Table 31-15 on page 518](#)).
9. Repeat steps 3 to 8 until all user signature data have been programmed.

### 31.10.28 Erasing User Signature Data

Three Flash pages are dedicated for user signature data (see ["User Signature Data" on page 505](#) for details). User signature pages must be erased before being written. A Flash Chip Erase (see section ["Performing Chip Erase" on page 532](#)) does not clear the contents of signature pages. Erasing user signature data is performed with the following command sequence.

1. Enter JTAG instruction PROG\_COMMANDS.
2. Enable user signature page erase using programming instruction 9e.
3. Load High byte of address using programming instruction 2c (0x01, 0x02 or 0x03).
4. Load Low byte of address using programming instruction 2d.
5. Latch the page address using programming instructions 2g.
6. Erase the user signature page using programming instruction 2h.



7. Poll for Flash write complete using programming instruction 2i, or wait for  $t_{WLRH}$  (refer to [Table 31-15 on page 518](#)).
8. Repeat steps 4 to 7 until all user signature data have been erased.

## 31.10.29 Reading User Signature Data

The algorithm for reading User Signature Data is similar to read from Flash.

1. Enter JTAG instruction PROG\_COMMANDS.
2. Enable Signature read using programming instruction 9a.
3. Load address using programming instructions 3c and 3d.
4. Read data using programming instruction 3e.
5. Repeat steps 3 and 4 until all data have been read.

A more efficient data transfer can be achieved using the PROG\_PAGEREAD instruction:

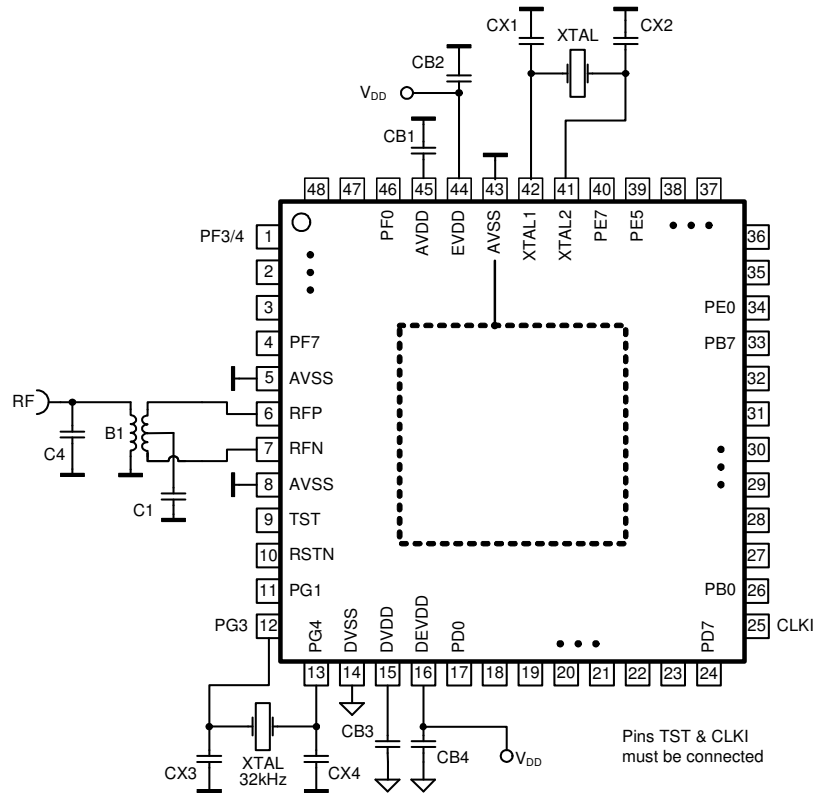
1. Enter JTAG instruction PROG\_COMMANDS.
2. Enable Signature read using programming instruction 9a.
3. Load the page address using programming instructions 3c and 3d. PCWORD (refer to [Table 31-7 on page 505](#)) is used to address within one page and must be written as 0.
4. Enter JTAG instruction PROG\_PAGEREAD.
5. Read the entire User Signature page (or all three pages) by shifting out all instruction words in the page, starting with the LSB of the first instruction in the page and ending with the MSB of the last instruction in the page (or last User Signature page). The Capture-DR state both captures the data from the Flash, and also auto-increments the program counter after each word is read. Note that Capture-DR comes before the shift-DR state. Hence, the first byte which is shifted out contains valid data.
6. Enter JTAG instruction PROG\_COMMANDS.
7. Repeat steps 3 to 6 until all data have been read.

## 32 Application Circuits

### 32.1 Basic Application Schematic

A basic application schematic of the ATmega2564/1284/644RFR2 with a single-ended RF connector is shown in [Figure 32-1 below](#) and the associated Bill of Material in [Table 32-1 on page 539](#). The 50Ω single-ended RF input is transformed to the 100Ω differential RF port impedance using Balun B1. The capacitors C1 and C2 provide AC coupling of the RF input to the RF port, capacitor C4 improves matching.

**Figure 32-1.** Basic Application schematic (48-pin package)



The power supply bypass capacitors (CB2, CB4) are connected to the external analog supply pin (EVDD, pin 44) and external digital supply pin (DEVDD, pin 16). The capacitor C1 provides the required AC coupling of RFN/RFP.

Floating pins can cause excessive power dissipation (e.g. during power on). They should be connected to an appropriate source. GPIO shall not be connected to ground or power supply directly.

The digital input pins TST and CLKI must be connected. If pin TST will never be used it can be connected to AVSS while an unused pin CLKI could be connected to DVSS (see chapter ["Unused Pins" on page 7](#)).

Capacitors CB1 and CB3 are bypass capacitors for the integrated analog and digital voltage regulators to ensure stable operation and to improve noise immunity. Capacitors should be placed as close as possible to the pins and should have a low-resistance and low-inductance connection to ground to achieve the best performance.

The crystal (XTAL), the two load capacitors (CX1, CX2), and the internal circuitry connected to pins XTAL1 and XTAL2 form the 16MHz crystal oscillator for the 2.4GHz transceiver. To achieve the best accuracy and stability of the reference frequency, large parasitic capacitances must be avoided. Crystal lines should be routed as short as possible and not in proximity of digital I/O signals. This is especially required for the High Data Rate Modes.

The 32.768 kHz crystal connected to the internal low power (sub 1 $\mu$ A) crystal oscillator provides a stable time reference for all low power modes including 32 Bit IEEE 802.15.4 Symbol Counter ("[MAC Symbol Counter](#)" on page 155) and real time clock application using the asynchronous timer T/C2 ("[8-bit Timer/Counter2 with PWM and Asynchronous Operation](#)" on page 339). Total shunt capacitance including CX3, CX4 should not exceed 15pF across both pins. The very low supply current of the oscillator requires careful layout of the PCB and any leakage path must be avoided.

Crosstalk and radiation from switching digital signals to the crystal pins or the RF pins can degrade the system performance. The programming of minimum drive strength settings for the digital output signal is recommended (see "[DPDS0 – Port Driver Strength Register 0](#)" on page 204).

**Table 32-1.** Bill of Materials (BoM)

| Designator    | Description                         | Value                            | Manufacturer                     | Part Number                          | Comment                      |
|---------------|-------------------------------------|----------------------------------|----------------------------------|--------------------------------------|------------------------------|
| B1            | SMD balun<br>SMD balun / filter     | 2.4 GHz                          | Wuerth<br>Johanson<br>Technology | 748421245<br>2450FB15L0001           | Filter included              |
| CB1<br>CB3    | LDO VREG<br>bypass capacitor        | 1 $\mu$ F<br>(100nF minimum)     | AVX<br>Murata                    | 0603YD105KAT2A<br>GRM188R61C105KA12D | X5R 10% 16V<br>(0603)        |
| CB2<br>CB4    | Power supply bypass<br>capacitor    | 1 $\mu$ F<br>(100nF minimum)     |                                  |                                      |                              |
| CX1, CX2      | 16MHz crystal load<br>capacitor     | 12 pF                            | AVX<br>Murata                    | 06035A120JA<br>GRP1886C1H120JA01     | COG 5% 50V<br>(0603)         |
| CX3, CX4      | 32.768kHz crystal load<br>capacitor | 12 ... 25 pF                     |                                  |                                      |                              |
| C1, C2        | RF coupling capacitor               | 22 pF                            | Epcos<br>Epcos<br>AVX            | B37930<br>B37920<br>06035A220JAT2A   | C0G 5% 50V<br>(0402 or 0603) |
| C4 (optional) | RF matching                         | 0.47 pF                          | Johnstech                        |                                      |                              |
| XTAL          | Crystal                             | CX-4025 16 MHz<br>SX-4025 16 MHz | ACAL Taitjen<br>Siward           | XWBBPL-F-1<br>A207-011               |                              |
| XTAL 32kHz    | Crystal                             |                                  |                                  |                                      | Rs=100 kOhm                  |

## 33 Register Summary

| Address | Name          | Bit 7            | Bit 6            | Bit 5            | Bit 4            | Bit 3           | Bit 2           | Bit 1            | Bit 0             | Page |
|---------|---------------|------------------|------------------|------------------|------------------|-----------------|-----------------|------------------|-------------------|------|
| (0x1FF) | TRXFBEND      | TRXFBEND7        | TRXFBEND6        | TRXFBEND5        | TRXFBEND4        | TRXFBEND3       | TRXFBEND2       | TRXFBEND1        | TRXFBEND0         | 154  |
| ...     |               |                  |                  |                  |                  |                 |                 |                  |                   |      |
| (0x180) | TRXFBST       | TRXFBST7         | TRXFBST6         | TRXFBST5         | TRXFBST4         | TRXFBST3        | TRXFBST2        | TRXFBST1         | TRXFBST0          | 154  |
| (0x17F) | Reserved      | Res7             | Res6             | Res5             | Res4             | Res3            | Res2            | Res1             | Res0              |      |
| (0x17E) | Reserved      | Res7             | Res6             | Res5             | Res4             | Res3            | Res2            | Res1             | Res0              |      |
| (0x17D) | Reserved      | Res7             | Res6             | Res5             | Res4             | Res3            | Res2            | Res1             | Res0              |      |
| (0x17C) | Reserved      | Res7             | Res6             | Res5             | Res4             | Res3            | Res2            | Res1             | Res0              |      |
| (0x17B) | TST_RX_LENGTH | RX_LENGTH7       | RX_LENGTH6       | RX_LENGTH5       | RX_LENGTH4       | RX_LENGTH3      | RX_LENGTH2      | RX_LENGTH1       | RX_LENGTH0        | 154  |
| (0x17A) | Reserved      | Res7             | Res6             | Res5             | Res4             | Res3            | Res2            | Res1             | Res0              |      |
| (0x179) | Reserved      | Res7             | Res6             | Res5             | Res4             | Res3            | Res2            | Res1             | Res0              |      |
| (0x178) | Reserved      | Res7             | Res6             | Res5             | Res4             | Res3            | Res2            | Res1             | Res0              |      |
| (0x177) | Reserved      | Res7             | Res6             | Res5             | Res4             | Res3            | Res2            | Res1             | Res0              |      |
| (0x176) | TST_CTRL_DIG1 | Res7             | Res6             | Res5             | Res4             | TST_CTRL_DIG3   | TST_CTRL_DIG2   | TST_CTRL_DIG1    | TST_CTRL_DIG0     | 153  |
| (0x175) | Reserved      | Res7             | Res6             | Res5             | Res4             | Res3            | Res2            | Res1             | Res0              |      |
| ...     |               |                  |                  |                  |                  |                 |                 |                  |                   |      |
| (0x173) | Reserved      | Res7             | Res6             | Res5             | Res4             | Res3            | Res2            | Res1             | Res0              |      |
| (0x172) | Reserved      | Res7             | Res6             | Res5             | Res4             | Res3            | Res2            | Res1             | Res0              |      |
| (0x171) | Reserved      | Res7             | Res6             | Res5             | Res4             | Res3            | Res2            | Res1             | Res0              |      |
| (0x170) | Reserved      | Res7             | Res6             | Res5             | Res4             | Res3            | Res2            | Res1             | Res0              |      |
| (0x16F) | CSMA_BE       | MAX_BE3          | MAX_BE2          | MAX_BE1          | MAX_BE0          | MIN_BE3         | MIN_BE2         | MIN_BE1          | MIN_BE0           | 145  |
| (0x16E) | CSMA_SEED_1   | AACK_FVN_MODE1   | AACK_FVN_MODE0   | AACK_SET_PD      | AACK_DIS_ACK     | AACK_I_AM_COORD | CSMA_SEED_12    | CSMA_SEED_11     | CSMA_SEED_10      | 144  |
| (0x16D) | CSMA_SEED_0   | CSMA_SEED_07     | CSMA_SEED_06     | CSMA_SEED_05     | CSMA_SEED_04     | CSMA_SEED_03    | CSMA_SEED_02    | CSMA_SEED_01     | CSMA_SEED_00      | 143  |
| (0x16C) | XAH_CTRL_0    | MAX_FRAME_RETRY5 | MAX_FRAME_RETRY2 | MAX_FRAME_RETRY1 | MAX_FRAME_RETRY0 | MAX_CSMA_RETRY2 | MAX_CSMA_RETRY1 | MAX_CSMA_RETRY0  | SLOTTED_OPERATION | 142  |
| (0x16B) | IEEE_ADDR_7   | IEEE_ADDR_77     | IEEE_ADDR_76     | IEEE_ADDR_75     | IEEE_ADDR_74     | IEEE_ADDR_73    | IEEE_ADDR_72    | IEEE_ADDR_71     | IEEE_ADDR_70      | 141  |
| (0x16A) | IEEE_ADDR_6   | IEEE_ADDR_67     | IEEE_ADDR_66     | IEEE_ADDR_65     | IEEE_ADDR_64     | IEEE_ADDR_63    | IEEE_ADDR_62    | IEEE_ADDR_61     | IEEE_ADDR_60      | 141  |
| (0x169) | IEEE_ADDR_5   | IEEE_ADDR_57     | IEEE_ADDR_56     | IEEE_ADDR_55     | IEEE_ADDR_54     | IEEE_ADDR_53    | IEEE_ADDR_52    | IEEE_ADDR_51     | IEEE_ADDR_50      | 141  |
| (0x168) | IEEE_ADDR_4   | IEEE_ADDR_47     | IEEE_ADDR_46     | IEEE_ADDR_45     | IEEE_ADDR_44     | IEEE_ADDR_43    | IEEE_ADDR_42    | IEEE_ADDR_41     | IEEE_ADDR_40      | 141  |
| (0x167) | IEEE_ADDR_3   | IEEE_ADDR_37     | IEEE_ADDR_36     | IEEE_ADDR_35     | IEEE_ADDR_34     | IEEE_ADDR_33    | IEEE_ADDR_32    | IEEE_ADDR_31     | IEEE_ADDR_30      | 140  |
| (0x166) | IEEE_ADDR_2   | IEEE_ADDR_27     | IEEE_ADDR_26     | IEEE_ADDR_25     | IEEE_ADDR_24     | IEEE_ADDR_23    | IEEE_ADDR_22    | IEEE_ADDR_21     | IEEE_ADDR_20      | 140  |
| (0x165) | IEEE_ADDR_1   | IEEE_ADDR_17     | IEEE_ADDR_16     | IEEE_ADDR_15     | IEEE_ADDR_14     | IEEE_ADDR_13    | IEEE_ADDR_12    | IEEE_ADDR_11     | IEEE_ADDR_10      | 140  |
| (0x164) | IEEE_ADDR_0   | IEEE_ADDR_07     | IEEE_ADDR_06     | IEEE_ADDR_05     | IEEE_ADDR_04     | IEEE_ADDR_03    | IEEE_ADDR_02    | IEEE_ADDR_01     | IEEE_ADDR_00      | 139  |
| (0x163) | PAN_ID_1      | PAN_ID_17        | PAN_ID_16        | PAN_ID_15        | PAN_ID_14        | PAN_ID_13       | PAN_ID_12       | PAN_ID_11        | PAN_ID_10         | 139  |
| (0x162) | PAN_ID_0      | PAN_ID_07        | PAN_ID_06        | PAN_ID_05        | PAN_ID_04        | PAN_ID_03       | PAN_ID_02       | PAN_ID_01        | PAN_ID_00         | 139  |
| (0x161) | SHORT_ADDR_1  | SHORT_ADDR_17    | SHORT_ADDR_16    | SHORT_ADDR_15    | SHORT_ADDR_14    | SHORT_ADDR_13   | SHORT_ADDR_12   | SHORT_ADDR_11    | SHORT_ADDR_10     | 139  |
| (0x160) | SHORT_ADDR_0  | SHORT_ADDR_07    | SHORT_ADDR_06    | SHORT_ADDR_05    | SHORT_ADDR_04    | SHORT_ADDR_03   | SHORT_ADDR_02   | SHORT_ADDR_01    | SHORT_ADDR_00     | 138  |
| (0x15F) | MAN_ID_1      | MAN_ID_17        | MAN_ID_16        | MAN_ID_15        | MAN_ID_14        | MAN_ID_13       | MAN_ID_12       | MAN_ID_11        | MAN_ID_10         | 138  |
| (0x15E) | MAN_ID_0      | MAN_ID_07        | MAN_ID_06        | MAN_ID_05        | MAN_ID_04        | MAN_ID_03       | MAN_ID_02       | MAN_ID_01        | MAN_ID_00         | 138  |
| (0x15D) | VERSION_NUM   | VERSION_NUM7     | VERSION_NUM6     | VERSION_NUM5     | VERSION_NUM4     | VERSION_NUM3    | VERSION_NUM2    | VERSION_NUM1     | VERSION_NUM0      | 137  |
| (0x15C) | PART_NUM      | PART_NUM7        | PART_NUM6        | PART_NUM5        | PART_NUM4        | PART_NUM3       | PART_NUM2       | PART_NUM1        | PART_NUM0         | 137  |
| (0x15B) | PLL_DCU       | PLL_DCU_START    | Res6             | Res5             | Res4             | Res3            | Res2            | Res1             | Res0              | 135  |
| (0x15A) | PLL_CF        | PLL_CF_START     | Res6             | Res5             | Res4             | Res3            | Res2            | Res1             | Res0              | 134  |
| (0x159) | Reserved      | Res7             | Res6             | Res5             | Res4             | Res3            | Res2            | Res1             | Res0              |      |
| (0x158) | FTN_CTRL      | FTN_START        | Res6             | Res5             | Res4             | Res3            | Res2            | Res1             | Res0              | 133  |
| (0x157) | XAH_CTRL_1    | Res1             | Res0             | AACK_FLTR_RES_FT | AACK_ULPD_RES_FT | Res             | AACK_ACK_TIME   | AACK_PROM_MODE   | Res               | 132  |
| (0x156) | TRX_RPC       | RX_RPC_CTRL1     | RX_RPC_CTRL0     | RX_RPC_EN        | PDT_RPC_EN       | PLL_RPC_EN      | Res0            | IPAN_RPC_EN      | XAH_RPC_EN        | 136  |
| (0x155) | RX_SYN        | RX_PDT_DIS       | Res6             | Res1             | Res0             | RX_PDT_LEVEL3   | RX_PDT_LEVEL2   | RX_PDT_LEVEL1    | RX_PDT_LEVEL0     | 131  |
| (0x154) | CC_CTRL_1     |                  |                  |                  |                  | CC_BAND_3       | CC_BAND_2       | CC_BAND_1        | CC_BAND_0         | 135  |
| (0x153) | CC_CTRL_0     | CC_NUMBER_7      | CC_NUMBER_6      | CC_NUMBER_5      | CC_NUMBER_4      | CC_NUMBER_3     | CC_NUMBER_2     | CC_NUMBER_1      | CC_NUMBER_0       | 135  |
| (0x152) | XOSC_CTRL     | XTAL_MODE3       | XTAL_MODE2       | XTAL_MODE1       | XTAL_MODE0       | XTAL_TRIM3      | XTAL_TRIM2      | XTAL_TRIM1       | XTAL_TRIM0        | 130  |
| (0x151) | BATMON        | BAT_LOW          | BAT_LOW_EN       | BATMON_OK        | BATMON_HR        | BATMON_VTH3     | BATMON_VTH2     | BATMON_VTH1      | BATMON_VTH0       | 129  |
| (0x150) | VREG_CTRL     | AVREG_EXT        | AVDD_OK          | Res5             | Res4             | Res3            | DVDD_OK         | Res1             | Res0              | 127  |
| (0x14F) | IRQ_STATUS    | AWAKE            | TX_END           | AMI              | CCA_ED_DONE      | RX_END          | RX_START        | PLL_UNLOCK       | PLL_LOCK          | 126  |
| (0x14E) | IRQ_MASK      | AWAKE_EN         | TX_END_EN        | AMI_EN           | CCA_ED_DONE_EN   | RX_END_EN       | RX_START_EN     | PLL_UNLOCK_EN    | PLL_LOCK_EN       | 125  |
| (0x14D) | ANT_DIV       | ANT_SEL          | Res2             | Res1             | Res0             | ANT_DIV_EN      | ANT_EXT_SW_EN   | ANT_CTRL1        | ANT_CTRL0         | 124  |
| (0x14C) | TRX_CTRL_2    | RX_SAFE_MODE     | Res4             | Res3             | Res2             | Res1            | Res0            | COFSK_DATA_RATE1 | COFSK_DATA_RATE0  | 123  |
| (0x14B) | SFD_VALUE     | SFD_VALUE7       | SFD_VALUE6       | SFD_VALUE5       | SFD_VALUE4       | SFD_VALUE3      | SFD_VALUE2      | SFD_VALUE1       | SFD_VALUE0        | 123  |
| (0x14A) | RX_CTRL       | Res7             | Res6             | Res5             | Res4             | PDT_THRES3      | PDT_THRES2      | PDT_THRES1       | PDT_THRES0        | 122  |
| (0x149) | CCA_THRES     | CCA_CS_THRES3    | CCA_CS_THRES2    | CCA_CS_THRES1    | CCA_CS_THRES0    | CCA_ED_THRES3   | CCA_ED_THRES2   | CCA_ED_THRES1    | CCA_ED_THRES0     | 121  |
| (0x148) | PHY_CC_CCA    | CCA_REQUEST      | CCA_MODE1        | CCA_MODE0        | CHANNEL4         | CHANNEL3        | CHANNEL2        | CHANNEL1         | CHANNEL0          | 120  |
| (0x147) | PHY_ED_LEVEL  | ED_LEVEL7        | ED_LEVEL6        | ED_LEVEL5        | ED_LEVEL4        | ED_LEVEL3       | ED_LEVEL2       | ED_LEVEL1        | ED_LEVEL0         | 119  |
| (0x146) | PHY_RSSI      | RX_CRC_VALID     | RND_VALUE1       | RND_VALUE0       | RSSI4            | RSSI3           | RSSI2           | RSSI1            | RSSI0             | 118  |

| Address | Name       | Bit 7        | Bit 6            | Bit 5          | Bit 4            | Bit 3        | Bit 2            | Bit 1        | Bit 0            | Page |
|---------|------------|--------------|------------------|----------------|------------------|--------------|------------------|--------------|------------------|------|
| (0x145) | PHY_TX_PWR | Res3         | Res2             | Res1           | Res0             | TX_PWR3      | TX_PWR2          | TX_PWR1      | TX_PWR0          | 117  |
| (0x144) | TRX_CTRL_1 | PA_EXT_EN    | IRQ_2_EXT_EN     | TX_AUTO_CRC_ON | Res4             | Res3         | Res2             | Res1         | Res0             | 116  |
| (0x143) | TRX_CTRL_0 | Res7         | Res6             | Res5           | Res4             | Res3         | Res2             | Res1         | Res0             |      |
| (0x142) | TRX_STATE  | TRAC_STATUS2 | TRAC_STATUS1     | TRAC_STATUS0   | TRX_CMD4         | TRX_CMD3     | TRX_CMD2         | TRX_CMD1     | TRX_CMD0         | 114  |
| (0x141) | TRX_STATUS | CCA_DONE     | CCA_STATUS       | TST_STATUS     | TRX_STATUS4      | TRX_STATUS3  | TRX_STATUS2      | TRX_STATUS1  | TRX_STATUS0      | 113  |
| ...     | Reserved   |              |                  |                |                  |              |                  |              |                  |      |
| (0x13F) | AES_KEY    | AES_KEY7     | AES_KEY6         | AES_KEY5       | AES_KEY4         | AES_KEY3     | AES_KEY2         | AES_KEY1     | AES_KEY0         | 112  |
| (0x13E) | AES_STATE  | AES_STATE7   | AES_STATE6       | AES_STATE5     | AES_STATE4       | AES_STATE3   | AES_STATE2       | AES_STATE1   | AES_STATE0       | 112  |
| (0x13D) | AES_STATUS | AES_ER       | Res5             | Res4           | Res3             | Res2         | Res1             | Res0         | AES_DONE         | 112  |
| (0x13C) | AES_CTRL   | AES_REQUEST  | Res              | AES_MODE       | Res              | AES_DIR      | AES_IM           | Res1         | Res0             | 111  |
| (0x13B) | Reserved   | Res7         | Res6             | Res5           | Res4             | Res3         | Res2             | Res1         | Res0             |      |
| ...     | Reserved   |              |                  |                |                  |              |                  |              |                  |      |
| (0x139) | TRXPR      | Res3         | Res2             | Res1           | Res0             | Res3         | Res2             | SLPTR        | TRXRST           | 197  |
| (0x138) | PARCR      | PALTD2       | PALTD1           | PALTD0         | PALTU2           | PALTU1       | PALTU0           | PARDFI       | PARUFI           | 117  |
| (0x137) | DPDS1      | Res5         | Res4             | Res3           | Res2             | Res1         | Res0             | PGDRV1       | PGDRV0           | 205  |
| (0x136) | DPDS0      | PFDRV1       | PFDRV0           | PEDRV1         | PEDRV0           | PDDRV1       | PDDRV0           | PBDRV1       | PBDRV0           | 204  |
| (0x135) | DRTRAM0    | Res1         | Res0             | DRTSWOK        | ENDRT            | Res3         | Res2             | Res1         | Res0             | 198  |
| (0x134) | DRTRAM1    | Res1         | Res0             | DRTSWOK        | ENDRT            | Res3         | Res2             | Res1         | Res0             | 199  |
| (0x133) | DRTRAM2    | Res7         | Res              | DRTSWOK        | ENDRT            | Res3         | Res2             | Res1         | Res0             | 200  |
| (0x132) | DRTRAM3    | Res1         | Res0             | DRTSWOK        | ENDRT            | Res3         | Res2             | Res1         | Res0             | 201  |
| (0x131) | LLDRH      | Res2         | Res1             | Res0           | LLDRH4           | LLDRH3       | LLDRH2           | LLDRH1       | LLDRH0           | 203  |
| (0x130) | LLDRL      | Res3         | Res2             | Res1           | Res0             | LLDRL3       | LLDRL2           | LLDRL1       | LLDRL0           | 204  |
| (0x12F) | LLCR       | Res1         | Res0             | LLDONE         | LLCOMP           | LLCAL        | LLTCO            | LLSHORT      | LLENLAL          | 202  |
| ...     | Reserved   |              |                  |                |                  |              |                  |              |                  |      |
| (0x12D) | OCR5CH     | OCR5CH7      | OCR5CH6          | OCR5CH5        | OCR5CH4          | OCR5CH3      | OCR5CH2          | OCR5CH1      | OCR5CH0          | 330  |
| (0x12C) | OCR5CL     | OCR5CL7      | OCR5CL6          | OCR5CL5        | OCR5CL4          | OCR5CL3      | OCR5CL2          | OCR5CL1      | OCR5CL0          | 331  |
| (0x12B) | OCR5BH     | OCR5BH7      | OCR5BH6          | OCR5BH5        | OCR5BH4          | OCR5BH3      | OCR5BH2          | OCR5BH1      | OCR5BH0          | 329  |
| (0x12A) | OCR5BL     | OCR5BL7      | OCR5BL6          | OCR5BL5        | OCR5BL4          | OCR5BL3      | OCR5BL2          | OCR5BL1      | OCR5BL0          | 330  |
| (0x129) | OCR5AH     | OCR5AH7      | OCR5AH6          | OCR5AH5        | OCR5AH4          | OCR5AH3      | OCR5AH2          | OCR5AH1      | OCR5AH0          | 329  |
| (0x128) | OCR5AL     | OCR5AL7      | OCR5AL6          | OCR5AL5        | OCR5AL4          | OCR5AL3      | OCR5AL2          | OCR5AL1      | OCR5AL0          | 329  |
| (0x127) | ICR5H      | ICR5H7       | ICR5H6           | ICR5H5         | ICR5H4           | ICR5H3       | ICR5H2           | ICR5H1       | ICR5H0           | 331  |
| (0x126) | ICR5L      | ICR5L7       | ICR5L6           | ICR5L5         | ICR5L4           | ICR5L3       | ICR5L2           | ICR5L1       | ICR5L0           | 331  |
| (0x125) | TCNT5H     | TCNT5H7      | TCNT5H6          | TCNT5H5        | TCNT5H4          | TCNT5H3      | TCNT5H2          | TCNT5H1      | TCNT5H0          | 328  |
| (0x124) | TCNT5L     | TCNT5L7      | TCNT5L6          | TCNT5L5        | TCNT5L4          | TCNT5L3      | TCNT5L2          | TCNT5L1      | TCNT5L0          | 328  |
| ...     | Reserved   |              |                  |                |                  |              |                  |              |                  |      |
| (0x122) | TCCR5C     | FOC5A        | FOC5B            | FOC5C          | Res4             | Res3         | Res2             | Res1         | Res0             | 327  |
| (0x121) | TCCR5B     | ICNC5        | ICES5            | Res            | WGM53            | WGM52        | CS52             | CS51         | CS50             | 326  |
| (0x120) | TCCR5A     | COM5A1       | COM5A0           | COM5B1         | COM5B0           | COM5C1       | COM5C0           | WGM51        | WGM50            | 324  |
| ...     | Reserved   |              |                  |                |                  |              |                  |              |                  |      |
| (0x11D) | MAFPA3H    | MAFPA3H7     | MAFPA3H6         | MAFPA3H5       | MAFPA3H4         | MAFPA3H3     | MAFPA3H2         | MAFPA3H1     | MAFPA3H0         | 150  |
| (0x11C) | MAFPA3L    | MAFPA3L7     | MAFPA3L6         | MAFPA3L5       | MAFPA3L4         | MAFPA3L3     | MAFPA3L2         | MAFPA3L1     | MAFPA3L0         | 150  |
| (0x11B) | MAFSA3H    | MAFSA3H7     | MAFSA3H6         | MAFSA3H5       | MAFSA3H4         | MAFSA3H3     | MAFSA3H2         | MAFSA3H1     | MAFSA3H0         | 152  |
| (0x11A) | MAFSA3L    | MAFSA3L7     | MAFSA3L6         | MAFSA3L5       | MAFSA3L4         | MAFSA3L3     | MAFSA3L2         | MAFSA3L1     | MAFSA3L0         | 152  |
| (0x119) | MAFPA2H    | MAFPA2H7     | MAFPA2H6         | MAFPA2H5       | MAFPA2H4         | MAFPA2H3     | MAFPA2H2         | MAFPA2H1     | MAFPA2H0         | 149  |
| (0x118) | MAFPA2L    | MAFPA2L7     | MAFPA2L6         | MAFPA2L5       | MAFPA2L4         | MAFPA2L3     | MAFPA2L2         | MAFPA2L1     | MAFPA2L0         | 150  |
| (0x117) | MAFSA2H    | MAFSA2H7     | MAFSA2H6         | MAFSA2H5       | MAFSA2H4         | MAFSA2H3     | MAFSA2H2         | MAFSA2H1     | MAFSA2H0         | 152  |
| (0x116) | MAFSA2L    | MAFSA2L7     | MAFSA2L6         | MAFSA2L5       | MAFSA2L4         | MAFSA2L3     | MAFSA2L2         | MAFSA2L1     | MAFSA2L0         | 152  |
| (0x115) | MAFPA1H    | MAFPA1H7     | MAFPA1H6         | MAFPA1H5       | MAFPA1H4         | MAFPA1H3     | MAFPA1H2         | MAFPA1H1     | MAFPA1H0         | 149  |
| (0x114) | MAFPA1L    | MAFPA1L7     | MAFPA1L6         | MAFPA1L5       | MAFPA1L4         | MAFPA1L3     | MAFPA1L2         | MAFPA1L1     | MAFPA1L0         | 149  |
| (0x113) | MAFSA1H    | MAFSA1H7     | MAFSA1H6         | MAFSA1H5       | MAFSA1H4         | MAFSA1H3     | MAFSA1H2         | MAFSA1H1     | MAFSA1H0         | 151  |
| (0x112) | MAFSA1L    | MAFSA1L7     | MAFSA1L6         | MAFSA1L5       | MAFSA1L4         | MAFSA1L3     | MAFSA1L2         | MAFSA1L1     | MAFSA1L0         | 151  |
| (0x111) | MAFPA0H    | MAFPA0H7     | MAFPA0H6         | MAFPA0H5       | MAFPA0H4         | MAFPA0H3     | MAFPA0H2         | MAFPA0H1     | MAFPA0H0         | 148  |
| (0x110) | MAFPA0L    | MAFPA0L7     | MAFPA0L6         | MAFPA0L5       | MAFPA0L4         | MAFPA0L3     | MAFPA0L2         | MAFPA0L1     | MAFPA0L0         | 148  |
| (0x10F) | MAFSA0H    | MAFSA0H7     | MAFSA0H6         | MAFSA0H5       | MAFSA0H4         | MAFSA0H3     | MAFSA0H2         | MAFSA0H1     | MAFSA0H0         | 150  |
| (0x10E) | MAFSA0L    | MAFSA0L7     | MAFSA0L6         | MAFSA0L5       | MAFSA0L4         | MAFSA0L3     | MAFSA0L2         | MAFSA0L1     | MAFSA0L0         | 151  |
| (0x10D) | MAFCR1     | AACK_SET_PD3 | AACK_I_AM_COORD3 | AACK_SET_PD2   | AACK_I_AM_COORD2 | AACK_SET_PD1 | AACK_I_AM_COORD1 | AACK_SET_PD0 | AACK_I_AM_COORD0 | 147  |
| (0x10C) | MAFCR0     | Res3         | Res2             | Res1           | Res0             | MAF3EN       | MAF2EN           | MAF1EN       | MAF0EN           | 146  |
| ...     | Reserved   |              |                  |                |                  |              |                  |              |                  |      |
| (0xFC)  | SCTSTRHH   | SCTSTRHH7    | SCTSTRHH6        | SCTSTRHH5      | SCTSTRHH4        | SCTSTRHH3    | SCTSTRHH2        | SCTSTRHH1    | SCTSTRHH0        | 163  |
| (0xFB)  | SCTSTRHL   | SCTSTRHL7    | SCTSTRHL6        | SCTSTRHL5      | SCTSTRHL4        | SCTSTRHL3    | SCTSTRHL2        | SCTSTRHL1    | SCTSTRHL0        | 163  |
| (0xFA)  | SCTSTRLLH  | SCTSTRLLH7   | SCTSTRLLH6       | SCTSTRLLH5     | SCTSTRLLH4       | SCTSTRLLH3   | SCTSTRLLH2       | SCTSTRLLH1   | SCTSTRLLH0       | 163  |
| (0xF9)  | SCTSTRLLL  | SCTSTRLLL7   | SCTSTRLLL6       | SCTSTRLLL5     | SCTSTRLLL4       | SCTSTRLLL3   | SCTSTRLLL2       | SCTSTRLLL1   | SCTSTRLLL0       | 163  |
| (0xF8)  | SCOCR1HH   | SCOCR1HH7    | SCOCR1HH6        | SCOCR1HH5      | SCOCR1HH4        | SCOCR1HH3    | SCOCR1HH2        | SCOCR1HH1    | SCOCR1HH0        | 166  |
| (0xF7)  | SCOCR1HL   | SCOCR1HL7    | SCOCR1HL6        | SCOCR1HL5      | SCOCR1HL4        | SCOCR1HL3    | SCOCR1HL2        | SCOCR1HL1    | SCOCR1HL0        | 166  |



| Address | Name        | Bit 7     | Bit 6     | Bit 5     | Bit 4     | Bit 3     | Bit 2     | Bit 1     | Bit 0       | Page |
|---------|-------------|-----------|-----------|-----------|-----------|-----------|-----------|-----------|-------------|------|
| (0xF6)  | SCOCR1LH    | SCOCR1LH7 | SCOCR1LH6 | SCOCR1LH5 | SCOCR1LH4 | SCOCR1LH3 | SCOCR1LH2 | SCOCR1LH1 | SCOCR1LH0   | 166  |
| (0xF5)  | SCOCR1LL    | SCOCR1LL7 | SCOCR1LL6 | SCOCR1LL5 | SCOCR1LL4 | SCOCR1LL3 | SCOCR1LL2 | SCOCR1LL1 | SCOCR1LL0   | 167  |
| (0xF4)  | SCOCR2HH    | SCOCR2HH7 | SCOCR2HH6 | SCOCR2HH5 | SCOCR2HH4 | SCOCR2HH3 | SCOCR2HH2 | SCOCR2HH1 | SCOCR2HH0   | 167  |
| (0xF3)  | SCOCR2HL    | SCOCR2HL7 | SCOCR2HL6 | SCOCR2HL5 | SCOCR2HL4 | SCOCR2HL3 | SCOCR2HL2 | SCOCR2HL1 | SCOCR2HL0   | 167  |
| (0xF2)  | SCOCR2LH    | SCOCR2LH7 | SCOCR2LH6 | SCOCR2LH5 | SCOCR2LH4 | SCOCR2LH3 | SCOCR2LH2 | SCOCR2LH1 | SCOCR2LH0   | 167  |
| (0xF1)  | SCOCR2LL    | SCOCR2LL7 | SCOCR2LL6 | SCOCR2LL5 | SCOCR2LL4 | SCOCR2LL3 | SCOCR2LL2 | SCOCR2LL1 | SCOCR2LL0   | 168  |
| (0xF0)  | SCOCR3HH    | SCOCR3HH7 | SCOCR3HH6 | SCOCR3HH5 | SCOCR3HH4 | SCOCR3HH3 | SCOCR3HH2 | SCOCR3HH1 | SCOCR3HH0   | 168  |
| (0xEF)  | SCOCR3HL    | SCOCR3HL7 | SCOCR3HL6 | SCOCR3HL5 | SCOCR3HL4 | SCOCR3HL3 | SCOCR3HL2 | SCOCR3HL1 | SCOCR3HL0   | 168  |
| (0xEE)  | SCOCR3LH    | SCOCR3LH7 | SCOCR3LH6 | SCOCR3LH5 | SCOCR3LH4 | SCOCR3LH3 | SCOCR3LH2 | SCOCR3LH1 | SCOCR3LH0   | 168  |
| (0xED)  | SCOCR3LL    | SCOCR3LL7 | SCOCR3LL6 | SCOCR3LL5 | SCOCR3LL4 | SCOCR3LL3 | SCOCR3LL2 | SCOCR3LL1 | SCOCR3LL0   | 169  |
| (0xEC)  | SCTSRHH     | SCTSRHH7  | SCTSRHH6  | SCTSRHH5  | SCTSRHH4  | SCTSRHH3  | SCTSRHH2  | SCTSRHH1  | SCTSRHH0    | 162  |
| (0xEB)  | SCTSRHL     | SCTSRHL7  | SCTSRHL6  | SCTSRHL5  | SCTSRHL4  | SCTSRHL3  | SCTSRHL2  | SCTSRHL1  | SCTSRHL0    | 162  |
| (0xEA)  | SCTSRLL     | SCTSRLL7  | SCTSRLL6  | SCTSRLL5  | SCTSRLL4  | SCTSRLL3  | SCTSRLL2  | SCTSRLL1  | SCTSRLL0    | 162  |
| (0xE9)  | SCTSRLL     | SCTSRLL7  | SCTSRLL6  | SCTSRLL5  | SCTSRLL4  | SCTSRLL3  | SCTSRLL2  | SCTSRLL1  | SCTSRLL0    | 162  |
| (0xE8)  | SCBTSRHH    | SCBTSRHH7 | SCBTSRHH6 | SCBTSRHH5 | SCBTSRHH4 | SCBTSRHH3 | SCBTSRHH2 | SCBTSRHH1 | SCBTSRHH0   | 165  |
| (0xE7)  | SCBTSRHL    | SCBTSRHL7 | SCBTSRHL6 | SCBTSRHL5 | SCBTSRHL4 | SCBTSRHL3 | SCBTSRHL2 | SCBTSRHL1 | SCBTSRHL0   | 165  |
| (0xE6)  | SCBTSRLH    | SCBTSRLH7 | SCBTSRLH6 | SCBTSRLH5 | SCBTSRLH4 | SCBTSRLH3 | SCBTSRLH2 | SCBTSRLH1 | SCBTSRLH0   | 165  |
| (0xE5)  | SCBTSRLL    | SCBTSRLL7 | SCBTSRLL6 | SCBTSRLL5 | SCBTSRLL4 | SCBTSRLL3 | SCBTSRLL2 | SCBTSRLL1 | SCBTSRLL0   | 166  |
| (0xE4)  | SCCNTHH     | SCCNTHH7  | SCCNTHH6  | SCCNTHH5  | SCCNTHH4  | SCCNTHH3  | SCCNTHH2  | SCCNTHH1  | SCCNTHH0    | 161  |
| (0xE3)  | SCCNTHL     | SCCNTHL7  | SCCNTHL6  | SCCNTHL5  | SCCNTHL4  | SCCNTHL3  | SCCNTHL2  | SCCNTHL1  | SCCNTHL0    | 161  |
| (0xE2)  | SCCNTLH     | SCCNTLH7  | SCCNTLH6  | SCCNTLH5  | SCCNTLH4  | SCCNTLH3  | SCCNTLH2  | SCCNTLH1  | SCCNTLH0    | 161  |
| (0xE1)  | SCCNTLL     | SCCNTLL7  | SCCNTLL6  | SCCNTLL5  | SCCNTLL4  | SCCNTLL3  | SCCNTLL2  | SCCNTLL1  | SCCNTLL0    | 161  |
| (0xE0)  | SCIRQS      | Res2      | Res1      | Res0      | IRQSBO    | IRQSOF    | IRQSCP3   | IRQSCP2   | IRQSCP1     | 171  |
| (0xDF)  | SCIRQM      | Res2      | Res1      | Res0      | IRQMBO    | IRQMOP    | IRQMCP3   | IRQMCP2   | IRQMCP1     | 172  |
| (0xDE)  | SCSR        | Res6      | Res5      | Res4      | Res3      | Res2      | Res1      | Res0      | SCBSY       | 171  |
| (0xDD)  | SCCR1       | Res6      | Res5      | SCBTSM    | SCCKDIV2  | SCCKDIV1  | SCCKDIV0  | SCEECLK   | SCENBO      | 170  |
| (0xDC)  | SCCR0       | SCRES     | SCMBTS    | SCEN      | SCCKSEL   | SCTSE     | SCCMP3    | SCCMP2    | SCCMP1      | 169  |
| (0xDB)  | SCCSR       | Res1      | Res0      | SCCS31    | SCCS30    | SCCS21    | SCCS20    | SCCS11    | SCCS10      | 159  |
| (0xDA)  | SCRSTRHH    | SCRSTRHH7 | SCRSTRHH6 | SCRSTRHH5 | SCRSTRHH4 | SCRSTRHH3 | SCRSTRHH2 | SCRSTRHH1 | SCRSTRHH0   | 164  |
| (0xD9)  | SCRSTRHL    | SCRSTRHL7 | SCRSTRHL6 | SCRSTRHL5 | SCRSTRHL4 | SCRSTRHL3 | SCRSTRHL2 | SCRSTRHL1 | SCRSTRHL0   | 164  |
| (0xD8)  | SCRSTRLL    | SCRSTRLL7 | SCRSTRLL6 | SCRSTRLL5 | SCRSTRLL4 | SCRSTRLL3 | SCRSTRLL2 | SCRSTRLL1 | SCRSTRLL0   | 164  |
| (0xD7)  | SCRSTRLL    | SCRSTRLL7 | SCRSTRLL6 | SCRSTRLL5 | SCRSTRLL4 | SCRSTRLL3 | SCRSTRLL2 | SCRSTRLL1 | SCRSTRLL0   | 165  |
| ...     | Reserved    |           |           |           |           |           |           |           |             |      |
| (0xD1)  | Reserved    | Res7      | Res6      | Res5      | Res4      | Res3      | Res2      | Res1      | Res0        |      |
| (0xD0)  | Reserved    | Res7      | Res6      | Res5      | Res4      | Res3      | Res2      | Res1      | Res0        |      |
| ...     | Reserved    |           |           |           |           |           |           |           |             |      |
| (0xCE)  | UDR1        | UDR17     | UDR16     | UDR15     | UDR14     | UDR13     | UDR12     | UDR11     | UDR10       | 391  |
| (0xCD)  | UBRR1H      | Res3      | Res2      | Res1      | Res0      | UBRR11    | UBRR10    | UBRR9     | UBRR8       | 395  |
| (0xCC)  | UBRR1L      | UBRR7     | UBRR6     | UBRR5     | UBRR4     | UBRR3     | UBRR2     | UBRR1     | UBRR0       | 396  |
| ...     | Reserved    |           |           |           |           |           |           |           |             |      |
| (0xCA)  | UCSR1C      | UMSEL11   | UMSEL10   | UPM11     | UPM10     | USBS1     | UDORD1    | UCPHA1    | UCPOL1      | 407  |
| (0xC9)  | UCSR1B      | RXCIE1    | TXCIE1    | UDRIE1    | RXEN1     | TXEN1     | UCSZ12    | RXB81     | TXB81       | 406  |
| (0xC8)  | UCSR1A      | RXC1      | TXC1      | UDRE1     | FE1       | DOR1      | UPE1      | U2X1      | MPCM1       | 406  |
| ...     | Reserved    |           |           |           |           |           |           |           |             |      |
| (0xC6)  | UDR0        | UDR07     | UDR06     | UDR05     | UDR04     | UDR03     | UDR02     | UDR01     | UDR00       | 387  |
| (0xC5)  | UBRR0H      | Res3      | Res2      | Res1      | Res0      | UBRR11    | UBRR10    | UBRR9     | UBRR8       | 391  |
| (0xC4)  | UBRR0L      | UBRR7     | UBRR6     | UBRR5     | UBRR4     | UBRR3     | UBRR2     | UBRR1     | UBRR0       | 391  |
| ...     | Reserved    |           |           |           |           |           |           |           |             |      |
| (0xC2)  | UCSR0C      | UMSEL01   | UMSEL00   | UPM01     | UPM00     | USBS0     | UDORD0    | UCPHA0    | UCPOL0      | 405  |
| (0xC1)  | UCSR0B      | RXCIE0    | TXCIE0    | UDRIE0    | RXEN0     | TXEN0     | UCSZ02    | RXB80     | TXB80       | 405  |
| (0xC0)  | UCSR0A      | RXC0      | TXC0      | UDRE0     | FE0       | DOR0      | UPE0      | U2X0      | MPCM0       | 404  |
| (0xBF)  | IRQ_STATUS1 | Res2      | Res1      | Res0      | AMI3      | AMI2      | AMI1      | AMI0      | TX_START    | 127  |
| (0xBE)  | IRQ_MASK1   | Res2      | Res1      | Res0      | AMI3      | AMI2      | AMI1      | AMI0      | TX_START_EN | 126  |
| (0xBD)  | TWAMR       | TWAM6     | TWAM5     | TWAM4     | TWAM3     | TWAM2     | TWAM1     | TWAM0     | Res         | 437  |
| (0xBC)  | TWCR        | TWINT     | TWEA      | TWSTA     | TWSTO     | TWWC      | TWEN      | Res       | TWIE        | 433  |
| (0xBB)  | TWDR        | TWD7      | TWD6      | TWD5      | TWD4      | TWD3      | TWD2      | TWD1      | TWD0        | 436  |
| (0xBA)  | TWAR        | TWA6      | TWA5      | TWA4      | TWA3      | TWA2      | TWA1      | TWA0      | TWGCE       | 436  |
| (0xB9)  | TWSR        | TWS7      | TWS6      | TWS5      | TWS4      | TWS3      | Res       | TWPS1     | TWPS0       | 434  |
| (0xB8)  | TWBR        | TWBR7     | TWBR6     | TWBR5     | TWBR4     | TWBR3     | TWBR2     | TWBR1     | TWBR0       | 432  |
| ...     | Reserved    |           |           |           |           |           |           |           |             |      |
| (0xB6)  | ASSR        | EXCLKAMR  | EXCLK     | AS2       | TCN2UB    | OCR2AUB   | OCR2BUB   | TCR2AUB   | TCR2BUB     | 358  |
| ...     | Reserved    |           |           |           |           |           |           |           |             |      |
| (0xB4)  | OCR2B       | OCR2B7    | OCR2B6    | OCR2B5    | OCR2B4    | OCR2B3    | OCR2B2    | OCR2B1    | OCR2B0      | 358  |
| (0xB3)  | OCR2A       | OCR2A7    | OCR2A6    | OCR2A5    | OCR2A4    | OCR2A3    | OCR2A2    | OCR2A1    | OCR2A0      | 358  |

| Address | Name     | Bit 7   | Bit 6   | Bit 5   | Bit 4   | Bit 3   | Bit 2   | Bit 1   | Bit 0   | Page |
|---------|----------|---------|---------|---------|---------|---------|---------|---------|---------|------|
| (0xB2)  | TCNT2    | TCNT27  | TCNT26  | TCNT25  | TCNT24  | TCNT23  | TCNT22  | TCNT21  | TCNT20  | 357  |
| (0xB1)  | TCCR2B   | FOC2A   | FOC2B   | Res1    | Res0    | WGM22   | CS22    | CS21    | CS20    | 356  |
| (0xB0)  | TCCR2A   | COM2A1  | COM2A0  | COM2B1  | COM2B0  | Res1    | Res0    | WGM21   | WGM20   | 355  |
| ...     | Reserved |         |         |         |         |         |         |         |         |      |
| (0xAD)  | OCR4CH   | OCR4CH7 | OCR4CH6 | OCR4CH5 | OCR4CH4 | OCR4CH3 | OCR4CH2 | OCR4CH1 | OCR4CH0 | 321  |
| (0xAC)  | OCR4CL   | OCR4CL7 | OCR4CL6 | OCR4CL5 | OCR4CL4 | OCR4CL3 | OCR4CL2 | OCR4CL1 | OCR4CL0 | 322  |
| (0xAB)  | OCR4BH   | OCR4BH7 | OCR4BH6 | OCR4BH5 | OCR4BH4 | OCR4BH3 | OCR4BH2 | OCR4BH1 | OCR4BH0 | 321  |
| (0xAA)  | OCR4BL   | OCR4BL7 | OCR4BL6 | OCR4BL5 | OCR4BL4 | OCR4BL3 | OCR4BL2 | OCR4BL1 | OCR4BL0 | 321  |
| (0xA9)  | OCR4AH   | OCR4AH7 | OCR4AH6 | OCR4AH5 | OCR4AH4 | OCR4AH3 | OCR4AH2 | OCR4AH1 | OCR4AH0 | 320  |
| (0xA8)  | OCR4AL   | OCR4AL7 | OCR4AL6 | OCR4AL5 | OCR4AL4 | OCR4AL3 | OCR4AL2 | OCR4AL1 | OCR4AL0 | 320  |
| (0xA7)  | ICR4H    | ICR4H7  | ICR4H6  | ICR4H5  | ICR4H4  | ICR4H3  | ICR4H2  | ICR4H1  | ICR4H0  | 322  |
| (0xA6)  | ICR4L    | ICR4L7  | ICR4L6  | ICR4L5  | ICR4L4  | ICR4L3  | ICR4L2  | ICR4L1  | ICR4L0  | 322  |
| (0xA5)  | TCNT4H   | TCNT4H7 | TCNT4H6 | TCNT4H5 | TCNT4H4 | TCNT4H3 | TCNT4H2 | TCNT4H1 | TCNT4H0 | 319  |
| (0xA4)  | TCNT4L   | TCNT4L7 | TCNT4L6 | TCNT4L5 | TCNT4L4 | TCNT4L3 | TCNT4L2 | TCNT4L1 | TCNT4L0 | 319  |
| ...     | Reserved |         |         |         |         |         |         |         |         |      |
| (0xA2)  | TCCR4C   | FOC4A   | FOC4B   | FOC4C   | Res4    | Res3    | Res2    | Res1    | Res0    | 318  |
| (0xA1)  | TCCR4B   | ICNC4   | ICES4   | Res     | WGM43   | WGM42   | CS42    | CS41    | CS40    | 317  |
| (0xA0)  | TCCR4A   | COM4A1  | COM4A0  | COM4B1  | COM4B0  | COM4C1  | COM4C0  | WGM41   | WGM40   | 315  |
| ...     | Reserved |         |         |         |         |         |         |         |         |      |
| (0x9D)  | OCR3CH   | OCR3CH7 | OCR3CH6 | OCR3CH5 | OCR3CH4 | OCR3CH3 | OCR3CH2 | OCR3CH1 | OCR3CH0 | 312  |
| (0x9C)  | OCR3CL   | OCR3CL7 | OCR3CL6 | OCR3CL5 | OCR3CL4 | OCR3CL3 | OCR3CL2 | OCR3CL1 | OCR3CL0 | 313  |
| (0x9B)  | OCR3BH   | OCR3BH7 | OCR3BH6 | OCR3BH5 | OCR3BH4 | OCR3BH3 | OCR3BH2 | OCR3BH1 | OCR3BH0 | 312  |
| (0x9A)  | OCR3BL   | OCR3BL7 | OCR3BL6 | OCR3BL5 | OCR3BL4 | OCR3BL3 | OCR3BL2 | OCR3BL1 | OCR3BL0 | 312  |
| (0x99)  | OCR3AH   | OCR3AH7 | OCR3AH6 | OCR3AH5 | OCR3AH4 | OCR3AH3 | OCR3AH2 | OCR3AH1 | OCR3AH0 | 311  |
| (0x98)  | OCR3AL   | OCR3AL7 | OCR3AL6 | OCR3AL5 | OCR3AL4 | OCR3AL3 | OCR3AL2 | OCR3AL1 | OCR3AL0 | 311  |
| (0x97)  | ICR3H    | ICR3H7  | ICR3H6  | ICR3H5  | ICR3H4  | ICR3H3  | ICR3H2  | ICR3H1  | ICR3H0  | 313  |
| (0x96)  | ICR3L    | ICR3L7  | ICR3L6  | ICR3L5  | ICR3L4  | ICR3L3  | ICR3L2  | ICR3L1  | ICR3L0  | 313  |
| (0x95)  | TCNT3H   | TCNT3H7 | TCNT3H6 | TCNT3H5 | TCNT3H4 | TCNT3H3 | TCNT3H2 | TCNT3H1 | TCNT3H0 | 310  |
| (0x94)  | TCNT3L   | TCNT3L7 | TCNT3L6 | TCNT3L5 | TCNT3L4 | TCNT3L3 | TCNT3L2 | TCNT3L1 | TCNT3L0 | 310  |
| ...     | Reserved |         |         |         |         |         |         |         |         |      |
| (0x92)  | TCCR3C   | FOC3A   | FOC3B   | FOC3C   | Res4    | Res3    | Res2    | Res1    | Res0    | 309  |
| (0x91)  | TCCR3B   | ICNC3   | ICES3   | Res     | WGM33   | WGM32   | CS32    | CS31    | CS30    | 308  |
| (0x90)  | TCCR3A   | COM3A1  | COM3A0  | COM3B1  | COM3B0  | COM3C1  | COM3C0  | WGM31   | WGM30   | 306  |
| ...     | Reserved |         |         |         |         |         |         |         |         |      |
| (0x8D)  | OCR1CH   | OCR1CH7 | OCR1CH6 | OCR1CH5 | OCR1CH4 | OCR1CH3 | OCR1CH2 | OCR1CH1 | OCR1CH0 | 303  |
| (0x8C)  | OCR1CL   | OCR1CL7 | OCR1CL6 | OCR1CL5 | OCR1CL4 | OCR1CL3 | OCR1CL2 | OCR1CL1 | OCR1CL0 | 303  |
| (0x8B)  | OCR1BH   | OCR1BH7 | OCR1BH6 | OCR1BH5 | OCR1BH4 | OCR1BH3 | OCR1BH2 | OCR1BH1 | OCR1BH0 | 302  |
| (0x8A)  | OCR1BL   | OCR1BL7 | OCR1BL6 | OCR1BL5 | OCR1BL4 | OCR1BL3 | OCR1BL2 | OCR1BL1 | OCR1BL0 | 302  |
| (0x89)  | OCR1AH   | OCR1AH7 | OCR1AH6 | OCR1AH5 | OCR1AH4 | OCR1AH3 | OCR1AH2 | OCR1AH1 | OCR1AH0 | 301  |
| (0x88)  | OCR1AL   | OCR1AL7 | OCR1AL6 | OCR1AL5 | OCR1AL4 | OCR1AL3 | OCR1AL2 | OCR1AL1 | OCR1AL0 | 301  |
| (0x87)  | ICR1H    | ICR1H7  | ICR1H6  | ICR1H5  | ICR1H4  | ICR1H3  | ICR1H2  | ICR1H1  | ICR1H0  | 303  |
| (0x86)  | ICR1L    | ICR1L7  | ICR1L6  | ICR1L5  | ICR1L4  | ICR1L3  | ICR1L2  | ICR1L1  | ICR1L0  | 304  |
| (0x85)  | TCNT1H   | TCNT1H7 | TCNT1H6 | TCNT1H5 | TCNT1H4 | TCNT1H3 | TCNT1H2 | TCNT1H1 | TCNT1H0 | 300  |
| (0x84)  | TCNT1L   | TCNT1L7 | TCNT1L6 | TCNT1L5 | TCNT1L4 | TCNT1L3 | TCNT1L2 | TCNT1L1 | TCNT1L0 | 301  |
| ...     | Reserved |         |         |         |         |         |         |         |         |      |
| (0x82)  | TCCR1C   | FOC1A   | FOC1B   | FOC1C   | Res4    | Res3    | Res2    | Res1    | Res0    | 300  |
| (0x81)  | TCCR1B   | ICNC1   | ICES1   | Res     | WGM13   | WGM12   | CS12    | CS11    | CS10    | 298  |
| (0x80)  | TCCR1A   | COM1A1  | COM1A0  | COM1B1  | COM1B0  | COM1C1  | COM1C0  | WGM11   | WGM10   | 296  |
| (0x7F)  | DIDR1    |         |         |         |         |         |         | AIN1D   | AIN0D   | 440  |
| (0x7E)  | DIDR0    | ADC7D   | ADC6D   | ADC5D   | ADC4D   | ADC3D   | ADC2D   | ADC1D   | ADC0D   | 467  |
| (0x7D)  | DIDR2    | ADC15D  | ADC14D  | ADC13D  | ADC12D  | ADC11D  | ADC10D  | ADC9D   | ADC8D   | 468  |
| (0x7C)  | ADMUX    | REFS1   | REFS0   | ADLAR   | MUX4    | MUX3    | MUX2    | MUX1    | MUX0    | 462  |
| (0x7B)  | ADCSRB   | AVDDOK  | ACME    | REFOK   | ACCH    | MUX5    | ADTS2   | ADTS1   | ADTS0   | 462  |
| (0x7A)  | ADCSRA   | ADEN    | ADSC    | ADATE   | ADIF    | ADIE    | ADPS2   | ADPS1   | ADPS0   | 465  |
| (0x79)  | ADCH     | ADCH7   | ADCH6   | ADCH5   | ADCH4   | ADCH3   | ADCH2   | ADCH1   | ADCH0   | 467  |
| (0x78)  | ADCL     | ADCL7   | ADCL6   | ADCL5   | ADCL4   | ADCL3   | ADCL2   | ADCL1   | ADCL0   | 467  |
| (0x77)  | ADCSRC   | ADTHT1  | ADTHT0  | Res0    | ADSUT4  | ADSUT3  | ADSUT2  | ADSUT1  | ADSUT0  | 466  |
| ...     | Reserved |         |         |         |         |         |         |         |         |      |
| (0x75)  | NEMCR    | Res7    | ENEAM   | AEAM1   | AEAM0   | Res3    | Res2    | Res1    | Res0    | 501  |
| (0x74)  | Reserved | Res7    | Res6    | Res5    | Res4    | Res3    | Res2    | Res1    | Res0    |      |
| (0x73)  | TIMSK5   | Res1    | Res0    | ICIE5   | Res     | OCIE5C  | OCIE5B  | OCIE5A  | TOIE5   | 332  |
| (0x72)  | TIMSK4   | Res1    | Res0    | ICIE4   | Res     | OCIE4C  | OCIE4B  | OCIE4A  | TOIE4   | 323  |
| (0x71)  | TIMSK3   | Res1    | Res0    | ICIE3   | Res     | OCIE3C  | OCIE3B  | OCIE3A  | TOIE3   | 314  |
| (0x70)  | TIMSK2   | Res4    | Res3    | Res2    | Res1    | Res0    | OCIE2B  | OCIE2A  | TOIE2   | 354  |

| Address     | Name     | Bit 7   | Bit 6       | Bit 5       | Bit 4       | Bit 3       | Bit 2   | Bit 1    | Bit 0    | Page |
|-------------|----------|---------|-------------|-------------|-------------|-------------|---------|----------|----------|------|
| (0x6F)      | TIMSK1   | Res1    | Res0        | ICIE1       | Res         | OCIE1C      | OCIE1B  | OCIE1A   | TOIE1    | 304  |
| (0x6E)      | TIMSK0   | Res4    | Res3        | Res2        | Res1        | Res0        | OCIE0B  | OCIE0A   | TOIE0    | 272  |
| (0x6D)      | PCMSK2   | PCINT23 | PCINT22     | PCINT21     | PCINT20     | PCINT19     | PCINT18 | PCINT17  | PCINT16  | 254  |
| (0x6C)      | PCMSK1   | PCINT15 | PCINT14     | PCINT13     | PCINT12     | PCINT11     | PCINT10 | PCINT9   | PCINT8   | 254  |
| (0x6B)      | PCMSK0   | PCINT7  | PCINT6      | PCINT5      | PCINT4      | PCINT3      | PCINT2  | PCINT1   | PCINT0   | 255  |
| (0x6A)      | EICRB    | ISC71   | ISC70       | ISC61       | ISC60       | ISC51       | ISC50   | ISC41    | ISC40    | 250  |
| (0x69)      | EICRA    | ISC31   | ISC30       | ISC21       | ISC20       | ISC11       | ISC10   | ISC01    | ISC00    | 249  |
| (0x68)      | PCICR    | Res4    | Res3        | Res2        | Res1        | Res0        | PCIE2   | PCIE1    | PCIE0    | 253  |
| (0x67)      | BGCR     | Res     | BGCAL_FINE3 | BGCAL_FINE2 | BGCAL_FINE1 | BGCAL_FINE0 | BGCAL2  | BGCAL1   | BGCAL0   | 468  |
| (0x66)      | OSCCAL   | CAL7    | CAL6        | CAL5        | CAL4        | CAL3        | CAL2    | CAL1     | CAL0     | 180  |
| (0x65)      | PRR1     | Res     | PRTRX24     | PRTIM5      | PRTIM4      | PRTIM3      |         |          | PRUSART1 | 196  |
| (0x64)      | PRR0     | PRTWI   | PRTIM2      | PRTIM0      | PRPGA       | PRTIM1      | PRSPI   | PRUSART0 | PRADC    | 195  |
| (0x63)      | PRR2     | Res3    | Res2        | Res1        | Res0        | PRRAM3      | PRRAM2  | PRRAM1   | PRRAM0   | 197  |
| ...         | Reserved |         |             |             |             |             |         |          |          |      |
| (0x61)      | CLKPR    | CLKPCE  | Res2        | Res1        | Res0        | CLKPS3      | CLKPS2  | CLKPS1   | CLKPS0   | 181  |
| (0x60)      | WDTCR    | WDIF    | WDIE        | WDP3        | WDCE        | WDE         | WDP2    | WDP1     | WDPO     | 215  |
| 0x3F (0x5F) | SREG     | I       | T           | H           | S           | V           | N       | Z        | C        | 11   |
| 0x3E (0x5E) | SPH      | SP15    | SP14        | SP13        | SP12        | SP11        | SP10    | SP9      | SP8      | 13   |
| 0x3D (0x5D) | SPL      | SP7     | SP6         | SP5         | SP4         | SP3         | SP2     | SP1      | SP0      | 14   |
| 0x3C (0x5C) | EIND     |         |             |             |             |             |         |          | EIND0    | 15   |
| 0x3B (0x5B) | RAMPZ    | Res5    | Res4        | Res3        | Res2        | Res1        | Res0    | RAMPZ1   | RAMPZ0   | 14   |
| ...         | Reserved |         |             |             |             |             |         |          |          |      |
| 0x37 (0x57) | SPMCSR   | SPMIE   | RWWSB       | SIGRD       | RWWSRE      | BLBSET      | PGWRT   | PGERS    | SPMEN    | 499  |
| ...         | Reserved |         |             |             |             |             |         |          |          |      |
| 0x35 (0x55) | MCUCR    | JTD     | Res1        | Res0        | PUD         | Res1        | Res0    | IVSEL    | IVCE     | 234  |
| 0x34 (0x54) | MCUSR    | Res2    | Res1        | Res0        | JTRF        | WDRF        | BORF    | EXTRF    | PORF     | 214  |
| 0x33 (0x53) | SMCR     | Res3    | Res2        | Res1        | Res0        | SM2         | SM1     | SM0      | SE       | 194  |
| ...         | Reserved |         |             |             |             |             |         |          |          |      |
| 0x31 (0x51) | OCDR     | OCDR7   | OCDR6       | OCDR5       | OCDR4       | OCDR3       | OCDR2   | OCDR1    | OCDR0    | 475  |
| 0x30 (0x50) | ACSR     | ACD     | ACBG        | ACO         | ACI         | ACIE        | ACIC    | ACIS1    | ACIS0    | 439  |
| ...         | Reserved |         |             |             |             |             |         |          |          |      |
| 0x2E (0x4E) | SPDR     | SPDR7   | SPDR6       | SPDR5       | SPDR4       | SPDR3       | SPDR2   | SPDR1    | SPDR0    | 368  |
| 0x2D (0x4D) | SPSR     | SPIF    | WCOL        | Res4        | Res3        | Res2        | Res1    | Res0     | SPI2X    | 368  |
| 0x2C (0x4C) | SPCR     | SPIE    | SPE         | DORD        | MSTR        | CPOL        | CPHA    | SPR1     | SPR0     | 367  |
| 0x2B (0x4B) | GPOR2    | GPOR27  | GPOR26      | GPOR25      | GPOR24      | GPOR23      | GPOR22  | GPOR21   | GPOR20   | 29   |
| 0x2A (0x4A) | GPOR1    | GPOR17  | GPOR16      | GPOR15      | GPOR14      | GPOR13      | GPOR12  | GPOR11   | GPOR10   | 29   |
| ...         | Reserved |         |             |             |             |             |         |          |          |      |
| 0x28 (0x48) | OCR0B    | OCR0B_7 | OCR0B_6     | OCR0B_5     | OCR0B_4     | OCR0B_3     | OCR0B_2 | OCR0B_1  | OCR0B_0  | 272  |
| 0x27 (0x47) | OCR0A    | OCR0A_7 | OCR0A_6     | OCR0A_5     | OCR0A_4     | OCR0A_3     | OCR0A_2 | OCR0A_1  | OCR0A_0  | 271  |
| 0x26 (0x46) | TCNT0    | TCNT0_7 | TCNT0_6     | TCNT0_5     | TCNT0_4     | TCNT0_3     | TCNT0_2 | TCNT0_1  | TCNT0_0  | 271  |
| 0x25 (0x45) | TCCR0B   | FOC0A   | FOC0B       | Res1        | Res0        | WGM02       | CS02    | CS01     | CS00     | 270  |
| 0x24 (0x44) | TCCR0A   | COM0A1  | COM0A0      | COM0B1      | COM0B0      | Res1        | Res0    | WGM01    | WGM00    | 268  |
| 0x23 (0x43) | GTCCR    | TSM     | Res4        | Res3        | Res2        | Res1        | Res0    | PSRASY   | PSRSYNC  | 359  |
| 0x22 (0x42) | EEARH    | Res3    | Res2        | Res1        | Res0        | EEAR11      | EEAR10  | EEAR9    | EEAR8    | 26   |
| 0x21 (0x41) | EEARL    | EEAR7   | EEAR6       | EEAR5       | EEAR4       | EEAR3       | EEAR2   | EEAR1    | EEAR0    | 26   |
| 0x20 (0x40) | EEDR     | EEDR7   | EEDR6       | EEDR5       | EEDR4       | EEDR3       | EEDR2   | EEDR1    | EEDR0    | 27   |
| 0x1F (0x3F) | EEDR     | Res1    | Res0        | EEDR5       | EEDR4       | EEDR3       | EEDR2   | EEDR1    | EEDR0    | 27   |
| 0x1E (0x3E) | EECR     | Res1    | Res0        | EEDR5       | EEDR4       | EEDR3       | EEDR2   | EEDR1    | EEDR0    | 27   |
| 0x1E (0x3E) | GPOR0    | GPOR07  | GPOR06      | GPOR05      | GPOR04      | GPOR03      | GPOR02  | GPOR01   | GPOR00   | 29   |
| 0x1D (0x3D) | EIMSK    | INT7    | INT6        | INT5        | INT4        | INT3        | INT2    | INT1     | INT0     | 252  |
| 0x1C (0x3C) | EIFR     | INTF7   | INTF6       | INTF5       | INTF4       | INTF3       | INTF2   | INTF1    | INTF0    | 252  |
| 0x1B (0x3B) | PCIFR    | Res4    | Res3        | Res2        | Res1        | Res0        | PCIF2   | PCIF1    | PCIF0    | 253  |
| 0x1A (0x3A) | TIFR5    | Res1    | Res0        | ICF5        | Res         | OCF5C       | OCF5B   | OCF5A    | TOV5     | 332  |
| 0x19 (0x39) | TIFR4    | Res1    | Res0        | ICF4        | Res         | OCF4C       | OCF4B   | OCF4A    | TOV4     | 323  |
| 0x18 (0x38) | TIFR3    | Res1    | Res0        | ICF3        | Res         | OCF3C       | OCF3B   | OCF3A    | TOV3     | 314  |
| 0x17 (0x37) | TIFR2    | Res4    | Res3        | Res2        | Res1        | Res0        | OCF2B   | OCF2A    | TOV2     | 354  |
| 0x16 (0x36) | TIFR1    | Res1    | Res0        | ICF1        | Res         | OCF1C       | OCF1B   | OCF1A    | TOV1     | 305  |
| 0x15 (0x35) | TIFR0    | Res4    | Res3        | Res2        | Res1        | Res0        | OCF0B   | OCF0A    | TOV0     | 273  |
| 0x14 (0x34) | PORTG    | Res1    | Res0        | PORTG5      | PORTG4      | PORTG3      | PORTG2  | PORTG1   | PORTG0   | 239  |
| 0x13 (0x33) | DDRG     | Res1    | Res0        | DDG5        | DDG4        | DDG3        | DDG2    | DDG1     | DDG0     | 240  |
| 0x12 (0x32) | PING     | Res1    | Res0        | PING5       | PING4       | PING3       | PING2   | PING1    | PING0    | 240  |
| 0x11 (0x31) | PORTF    | PORTF7  | PORTF6      | PORTF5      | PORTF4      | PORTF3      | PORTF2  | PORTF1   | PORTF0   | 238  |
| 0x10 (0x30) | DDRF     | DDF7    | DDF6        | DDF5        | DDF4        | DDF3        | DDF2    | DDF1     | DDF0     | 239  |
| 0x0F (0x2F) | PINF     | PINF7   | PINF6       | PINF5       | PINF4       | PINF3       | PINF2   | PINF1    | PINF0    | 239  |
| 0x0E (0x2E) | PORTE    | PORTE7  | PORTE6      | PORTE5      | PORTE4      | PORTE3      | PORTE2  | PORTE1   | PORTE0   | 237  |



| Address     | Name  | Bit 7  | Bit 6  | Bit 5  | Bit 4  | Bit 3  | Bit 2  | Bit 1  | Bit 0  | Page |
|-------------|-------|--------|--------|--------|--------|--------|--------|--------|--------|------|
| 0x0D (0x2D) | DDRE  | DDE7   | DDE6   | DDE5   | DDE4   | DDE3   | DDE2   | DDE1   | DDE0   | 238  |
| 0x0C (0x2C) | PINE  | PINE7  | PINE6  | PINE5  | PINE4  | PINE3  | PINE2  | PINE1  | PINE0  | 238  |
| 0x0B (0x2B) | PORTD | PORTD7 | PORTD6 | PORTD5 | PORTD4 | PORTD3 | PORTD2 | PORTD1 | PORTD0 | 237  |
| 0x0A (0x2A) | DDRD  | DDD7   | DDD6   | DDD5   | DDD4   | DDD3   | DDD2   | DDD1   | DDD0   | 237  |
| 0x09 (0x29) | PIND  | PIND7  | PIND6  | PIND5  | PIND4  | PIND3  | PIND2  | PIND1  | PIND0  | 237  |
| 0x08 (0x28) | PORTC | PORTC7 | PORTC6 | PORTC5 | PORTC4 | PORTC3 | PORTC2 | PORTC1 | PORTC0 | 31   |
| 0x07 (0x27) | DDRC  | DDC7   | DDC6   | DDC5   | DDC4   | DDC3   | DDC2   | DDC1   | DDC0   | 31   |
| 0x06 (0x26) | PINC  | PINC7  | PINC6  | PINC5  | PINC4  | PINC3  | PINC2  | PINC1  | PINC0  | 31   |
| 0x05 (0x25) | PORTB | PORTB7 | PORTB6 | PORTB5 | PORTB4 | PORTB3 | PORTB2 | PORTB1 | PORTB0 | 236  |
| 0x04 (0x24) | DDRB  | DDB7   | DDB6   | DDB5   | DDB4   | DDB3   | DDB2   | DDB1   | DDB0   | 236  |
| 0x03 (0x23) | PINB  | PINB7  | PINB6  | PINB5  | PINB4  | PINB3  | PINB2  | PINB1  | PINB0  | 236  |
| 0x02 (0x22) | PORTA | PORTA7 | PORTA6 | PORTA5 | PORTA4 | PORTA3 | PORTA2 | PORTA1 | PORTA0 | 30   |
| 0x01 (0x21) | DDRA  | DDA7   | DDA6   | DDA5   | DDA4   | DDA3   | DDA2   | DDA1   | DDA0   | 30   |
| 0x00 (0x20) | PINA  | PINA7  | PINA6  | PINA5  | PINA4  | PINA3  | PINA2  | PINA1  | PINA0  | 30   |

- Notes:
1. Reserved registers, bits and I/O memory addresses (marked as Res\*) may not be modified.
  2. I/O registers within the address range 0x00 - 0x1F are directly bit-accessible using the SBI and CBI instructions. In these registers, the value of single bits can be checked by using the SBIS and SBIC instructions.
  3. Some of the status flags are cleared by writing a logical one to them. Note that the CBI and SBI instructions will operate on all bits in the I/O register, writing a one back into any flag read as set, thus clearing the flag. The CBI and SBI instructions work with registers 0x00 to 0x1F only.
  4. When using the I/O specific commands IN and OUT, the I/O addresses 0x00 – 0x3F must be used. When addressing I/O registers as data space using LD and ST instructions, 0x20 must be added to these addresses. The device is a complex microcontroller with more peripheral units than can be supported within the 64 location reserved in Op-code for the IN and OUT instructions. For the Extended I/O space from 0x60 – 0x1FF in SRAM, only the ST/STS/STD and LD/LDS/LDD instructions can be used.

## 34 Instruction Set Summary

Depending on the size of the Flash memory the instructions

- EICALL and EIJP do not exist in devices with 128K/64KByte Flash memory,
- ELPM does not exist in the device with 64Kbyte Flash memory.

### 34.1 Arithmetic and Logic Instructions

| Mnemonics | Operands | Description                            | Operation                        | Flags     | #Clocks |
|-----------|----------|--|----------------------------------|-----------|---------|
| ADD       | Rd, Rr   | Add two Registers                      | $Rd \leftarrow Rd + Rr$          | Z,C,N,V,H | 1       |
| ADC       | Rd, Rr   | Add with Carry two Registers           | $Rd \leftarrow Rd + Rr + C$      | Z,C,N,V,H | 1       |
| ADIW      | RdI, K   | Add Immediate to Word                  | $Rdh:Rdl \leftarrow Rdh:Rdl + K$ | Z,C,N,V,S | 2       |
| SUB       | Rd, Rr   | Subtract two Registers                 | $Rd \leftarrow Rd - Rr$          | Z,C,N,V,H | 1       |
| SUBI      | Rd, K    | Subtract Constant from Register        | $Rd \leftarrow Rd - K$           | Z,C,N,V,H | 1       |
| SBC       | Rd, Rr   | Subtract with Carry two Registers      | $Rd \leftarrow Rd - Rr - C$      | Z,C,N,V,H | 1       |
| SBCI      | Rd, K    | Subtract with Carry Constant from Reg. | $Rd \leftarrow Rd - K - C$       | Z,C,N,V,H | 1       |
| SBIW      | RdI, K   | Subtract Immediate from Word           | $Rdh:Rdl \leftarrow Rdh:Rdl - K$ | Z,C,N,V,S | 2       |
| AND       | Rd, Rr   | Logical AND Registers                  | $Rd \leftarrow Rd \cdot Rr$      | Z,N,V     | 1       |
| ANDI      | Rd, K    | Logical AND Register and Constant      | $Rd \leftarrow Rd \cdot K$       | Z,N,V     | 1       |
| OR        | Rd, Rr   | Logical OR Registers                   | $Rd \leftarrow Rd \vee Rr$       | Z,N,V     | 1       |
| ORI       | Rd, K    | Logical OR Register and Constant       | $Rd \leftarrow Rd \vee K$        | Z,N,V     | 1       |
| EOR       | Rd, Rr   | Exclusive OR Registers                 | $Rd \leftarrow Rd \oplus Rr$     | Z,N,V     | 1       |
| COM       | Rd       | One's Complement                       | $Rd \leftarrow 0xFF - Rd$        | Z,C,N,V   | 1       |
| NEG       | Rd       | Two's Complement                       | $Rd \leftarrow 0x00 - Rd$        | Z,C,N,V,H | 1       |

| Mnemonics | Operands | Description                              | Operation                               | Flags | #Clocks |
|-----------|----------|--|---|-------|---------|
| SBR       | Rd,K     | Set Bit(s) in Register                   | $Rd \leftarrow Rd \vee K$               | Z,N,V | 1       |
| CBR       | Rd,K     | Clear Bit(s) in Register                 | $Rd \leftarrow Rd \cdot (0xFF - K)$     | Z,N,V | 1       |
| INC       | Rd       | Increment                                | $Rd \leftarrow Rd + 1$                  | Z,N,V | 1       |
| DEC       | Rd       | Decrement                                | $Rd \leftarrow Rd - 1$                  | Z,N,V | 1       |
| TST       | Rd       | Test for Zero or Minus                   | $Rd \leftarrow Rd \cdot Rd$             | Z,N,V | 1       |
| CLR       | Rd       | Clear Register                           | $Rd \leftarrow Rd \oplus Rd$            | Z,N,V | 1       |
| SER       | Rd       | Set Register                             | $Rd \leftarrow 0xFF$                    | None  | 1       |
| MUL       | Rd, Rr   | Multiply Unsigned                        | $R1:R0 \leftarrow Rd \times Rr$         | Z,C   | 2       |
| MULS      | Rd, Rr   | Multiply Signed                          | $R1:R0 \leftarrow Rd \times Rr$         | Z,C   | 2       |
| MULSU     | Rd, Rr   | Multiply Signed with Unsigned            | $R1:R0 \leftarrow Rd \times Rr$         | Z,C   | 2       |
| FMUL      | Rd, Rr   | Fractional Multiply Unsigned             | $R1:R0 \leftarrow (Rd \times Rr) \ll 1$ | Z,C   | 2       |
| FMULS     | Rd, Rr   | Fractional Multiply Signed               | $R1:R0 \leftarrow (Rd \times Rr) \ll 1$ | Z,C   | 2       |
| FMULSU    | Rd, Rr   | Fractional Multiply Signed with Unsigned | $R1:R0 \leftarrow (Rd \times Rr) \ll 1$ | Z,C   | 2       |

## 34.2 Branch Instructions

| Mnemonics | Operands | Description                         | Operation   | Flags     | #Clocks   |
|-----------|----------|-------------------------------------|---|-----------|-----------|
| RJMP      | k        | Relative Jump                       | $PC \leftarrow PC + k + 1$                            | None      | 2         |
| IJMP      |          | Indirect Jump to (Z)                | $PC \leftarrow Z$                                     | None      | 2         |
| EIJMP     |          | Extended Indirect Jump to (Z)       | $PC \leftarrow (EIND:Z)$                              | None      | 2         |
| JMP       | k        | Direct Jump                         | $PC \leftarrow k$                                     | None      | 3         |
| RCALL     | k        | Relative Subroutine                 | Call $PC \leftarrow PC + k + 1$                       | None      | 4         |
| ICALL     |          | Indirect Call to (Z)                | $PC \leftarrow Z$                                     | None      | 4         |
| EICALL    |          | Extended Indirect                   | Call to (Z) $PC \leftarrow (EIND:Z)$                  | None      | 4         |
| CALL      | k        | Direct Subroutine                   | Call $PC \leftarrow k$                                | None      | 5         |
| RET       |          | Subroutine Return                   | $PC \leftarrow STACK$                                 | None      | 5         |
| RETI      |          | Interrupt Return                    | $PC \leftarrow STACK$                                 | I         | 5         |
| CPSE      | Rd,Rr    | Compare, Skip if Equal              | if $(Rd = Rr)$ $PC \leftarrow PC + 2$ or $3$          | None      | 1 / 2 / 3 |
| CP        | Rd,Rr    | Compare                             | $Rd - Rr$   | Z,N,V,C,H | 1         |
| CPC       | Rd,Rr    | Compare with Carry                  | $Rd - Rr - C$   | Z,N,V,C,H | 1         |
| CPI       | Rd,K     | Compare Register with Immediate     | $Rd - K$  | Z,N,V,C,H | 1         |
| SBRC      | Rr, b    | Skip if Bit in Register Cleared     | if $(Rr(b)=0)$ $PC \leftarrow PC + 2$ or $3$          | None      | 1 / 2 / 3 |
| SBRS      | Rr, b    | Skip if Bit in Register is Set      | if $(Rr(b)=1)$ $PC \leftarrow PC + 2$ or $3$          | None      | 1 / 2 / 3 |
| SBIC      | P, b     | Skip if Bit in I/O Register Cleared | if $(P(b)=0)$ $PC \leftarrow PC + 2$ or $3$           | None      | 1 / 2 / 3 |
| SBIS      | P, b     | Skip if Bit in I/O Register is Set  | if $(P(b)=1)$ $PC \leftarrow PC + 2$ or $3$           | None      | 1 / 2 / 3 |
| BRBS      | s, k     | Branch if Status Flag Set           | if $(SREG(s) = 1)$ then<br>$PC \leftarrow PC + k + 1$ | None      | 1 / 2     |
| BRBC      | s, k     | Branch if Status Flag Cleared       | if $(SREG(s) = 0)$ then<br>$PC \leftarrow PC + k + 1$ | None      | 1 / 2     |
| BREQ      | k        | Branch if Equal                     | if $(Z = 1)$ then $PC \leftarrow PC + k + 1$          | None      | 1 / 2     |
| BRNE      | k        | Branch if Not Equal                 | if $(Z = 0)$ then $PC \leftarrow PC + k + 1$          | None      | 1 / 2     |
| BRCS      | k        | Branch if Carry Set                 | if $(C = 1)$ then $PC \leftarrow PC + k + 1$          | None      | 1 / 2     |
| BRCC      | k        | Branch if Carry Cleared             | if $(C = 0)$ then $PC \leftarrow PC + k + 1$          | None      | 1 / 2     |

| Mnemonics | Operands | Description                        | Operation                              | Flags | #Clocks |
|-----------|----------|------------------------------------|--|-------|---------|
| BRSH      | k        | Branch if Same or Higher           | if (C = 0) then PC ← PC + k + 1        | None  | 1 / 2   |
| BRLO      | k        | Branch if Lower                    | if (C = 1) then PC ← PC + k + 1        | None  | 1 / 2   |
| BRMI      | k        | Branch if Minus                    | if (N = 1) then PC ← PC + k + 1        | None  | 1 / 2   |
| BRPL      | k        | Branch if Plus                     | if (N = 0) then PC ← PC + k + 1        | None  | 1 / 2   |
| BRGE      | k        | Branch if Greater or Equal, Signed | if (N ⊕ V = 0) then<br>PC ← PC + k + 1 | None  | 1 / 2   |
| BRLT      | k        | Branch if Less Than Zero, Signed   | if (N ⊕ V = 1) then<br>PC ← PC + k + 1 | None  | 1 / 2   |
| BRHS      | k        | Branch if Half Carry Flag Set      | if (H = 1) then PC ← PC + k + 1        | None  | 1 / 2   |
| BRHC      | k        | Branch if Half Carry Flag Cleared  | if (H = 0) then PC ← PC + k + 1        | None  | 1 / 2   |
| BRTS      | k        | Branch if T Flag Set               | if (T = 1) then PC ← PC + k + 1        | None  | 1 / 2   |
| BRTC      | k        | Branch if T Flag Cleared           | if (T = 0) then PC ← PC + k + 1        | None  | 1 / 2   |
| BRVS      | k        | Branch if Overflow Flag is Set     | if (V = 1) then PC ← PC + k + 1        | None  | 1 / 2   |
| BRVC      | k        | Branch if Overflow Flag is Cleared | if (V = 0) then PC ← PC + k + 1        | None  | 1 / 2   |
| BRIE      | k        | Branch if Interrupt Enabled        | if (I = 1) then PC ← PC + k + 1        | None  | 1 / 2   |
| BRID      | k        | Branch if Interrupt Disabled       | if (I = 0) then PC ← PC + k + 1        | None  | 1 / 2   |

### 34.3 Bit and Bit Test Instructions

| Mnemonics | Operands | Description                  | Operation                                   | Flags   | #Clocks |
|-----------|----------|------------------------------|---|---------|---------|
| SBI       | P,b      | Set Bit in I/O Register      | I/O(P,b) ← 1                                | None    | 2       |
| CBI       | P,b      | Clear Bit in I/O Register    | I/O(P,b) ← 0                                | None    | 2       |
| LSL       | Rd       | Logical Shift Left           | Rd(n+1) ← Rd(n), Rd(0) ← 0                  | Z,C,N,V | 1       |
| LSR       | Rd       | Logical Shift Right          | Rd(n) ← Rd(n+1), Rd(7) ← 0                  | Z,C,N,V | 1       |
| ROL       | Rd       | Rotate Left Through Carry    | Rd(0) ← C, Rd(n+1) ← Rd(n),<br>C ← Rd(7)    | Z,C,N,V | 1       |
| ROR       | Rd       | Rotate Right Through Carry   | Rd(7) ← C, Rd(n) ← Rd(n+1),<br>C ← Rd(0)    | Z,C,N,V | 1       |
| ASR       | Rd       | Arithmetic Shift Right       | Rd(n) ← Rd(n+1), n=0..6                     | Z,C,N,V | 1       |
| SWAP      | Rd       | Swap Nibbles                 | Rd(3..0) ← Rd(7..4),<br>Rd(7..4) ← Rd(3..0) | None    | 1       |
| BSET      | s        | Flag Set                     | SREG(s) ← 1                                 | SREG(s) | 1       |
| BCLR      | s        | Flag Clear                   | SREG(s) ← 0                                 | SREG(s) | 1       |
| BST       | Rr, b    | Bit Store from Register to T | T ← Rr(b)                                   | T       | 1       |
| BLD       | Rd, b    | Bit load from T to Register  | Rd(b) ← T                                   | None    | 1       |
| SEC       |          | Set Carry                    | C ← 1                                       | C       | 1       |
| CLC       |          | Clear Carry                  | C ← 0                                       | C       | 1       |
| SEN       |          | Set Negative Flag            | N ← 1                                       | N       | 1       |
| CLN       |          | Clear Negative Flag          | N ← 0                                       | N       | 1       |
| SEZ       |          | Set Zero Flag                | Z ← 1                                       | Z       | 1       |
| CLZ       |          | Clear Zero Flag              | Z ← 0                                       | Z       | 1       |
| SEI       |          | Global Interrupt Enable      | I ← 1                                       | I       | 1       |
| CLI       |          | Global Interrupt Disable     | I ← 0                                       | I       | 1       |

| Mnemonics | Operands | Description                    | Operation        | Flags | #Clocks |
|-----------|----------|--------------------------------|------------------|-------|---------|
| SES       |          | Set Signed Test Flag           | $S \leftarrow 1$ | S     | 1       |
| CLS       |          | Clear Signed Test Flag         | $S \leftarrow 0$ | S     | 1       |
| SEV       |          | Set Twos Complement Overflow   | $V \leftarrow 1$ | V     | 1       |
| CLV       |          | Clear Twos Complement Overflow | $V \leftarrow 0$ | V     | 1       |
| SET       |          | Set T in SREG                  | $T \leftarrow 1$ | T     | 1       |
| CLT       |          | Clear T in SREG                | $T \leftarrow 0$ | T     | 1       |
| SEH       |          | Set Half Carry Flag in SREG    | $H \leftarrow 1$ | H     | 1       |
| CLH       |          | Clear Half Carry Flag in SREG  | $H \leftarrow 0$ | H     | 1       |

### 34.4 Data Transfer Instructions

| Mnemonics | Operands | Description                      | Operation                               | Flags | #Clocks |
|-----------|----------|----------------------------------|---|-------|---------|
| MOV       | Rd, Rr   | Move Between Registers           | $Rd \leftarrow Rr$                      | None  | 1       |
| MOVW      | Rd, Rr   | Copy Register Word               | $Rd+1:Rd \leftarrow Rr+1:Rr$            | None  | 1       |
| LDI       | Rd, K    | Load Immediate                   | $Rd \leftarrow K$                       | None  | 1       |
| LD        | Rd, X    | Load Indirect                    | $Rd \leftarrow (X)$                     | None  | 2       |
| LD        | Rd, X+   | Load Indirect and Post-Inc.      | $Rd \leftarrow (X), X \leftarrow X + 1$ | None  | 2       |
| LD        | Rd, -X   | Load Indirect and Pre-Dec.       | $X \leftarrow X - 1, Rd \leftarrow (X)$ | None  | 2       |
| LD        | Rd, Y    | Load Indirect                    | $Rd \leftarrow (Y)$                     | None  | 2       |
| LD        | Rd, Y+   | Load Indirect and Post-Inc.      | $Rd \leftarrow (Y), Y \leftarrow Y + 1$ | None  | 2       |
| LD        | Rd, -Y   | Load Indirect and Pre-Dec.       | $Y \leftarrow Y - 1, Rd \leftarrow (Y)$ | None  | 2       |
| LDD       | Rd, Y+q  | Load Indirect with Displacement  | $Rd \leftarrow (Y + q)$                 | None  | 2       |
| LD        | Rd, Z    | Load Indirect                    | $Rd \leftarrow (Z)$                     | None  | 2       |
| LD        | Rd, Z+   | Load Indirect and Post-Inc.      | $Rd \leftarrow (Z), Z \leftarrow Z+1$   | None  | 2       |
| LD        | Rd, -Z   | Load Indirect and Pre-Dec.       | $Z \leftarrow Z - 1, Rd \leftarrow (Z)$ | None  | 2       |
| LDD       | Rd, Z+q  | Load Indirect with Displacement  | $Rd \leftarrow (Z + q)$                 | None  | 2       |
| LDS       | Rd, k    | Load Direct from SRAM            | $Rd \leftarrow (k)$                     | None  | 2       |
| ST        | X, Rr    | Store Indirect                   | $(X) \leftarrow Rr$                     | None  | 2       |
| ST        | X+, Rr   | Store Indirect and Post-Inc.     | $(X) \leftarrow Rr, X \leftarrow X + 1$ | None  | 2       |
| ST        | -X, Rr   | Store Indirect and Pre-Dec.      | $X \leftarrow X - 1, (X) \leftarrow Rr$ | None  | 2       |
| ST        | Y, Rr    | Store Indirect                   | $(Y) \leftarrow Rr$                     | None  | 2       |
| ST        | Y+, Rr   | Store Indirect and Post-Inc.     | $(Y) \leftarrow Rr, Y \leftarrow Y + 1$ | None  | 2       |
| ST        | -Y, Rr   | Store Indirect and Pre-Dec.      | $Y \leftarrow Y - 1, (Y) \leftarrow Rr$ | None  | 2       |
| STD       | Y+q, Rr  | Store Indirect with Displacement | $(Y + q) \leftarrow Rr$                 | None  | 2       |
| ST        | Z, Rr    | Store Indirect                   | $(Z) \leftarrow Rr$                     | None  | 2       |
| ST        | Z+, Rr   | Store Indirect and Post-Inc.     | $(Z) \leftarrow Rr, Z \leftarrow Z + 1$ | None  | 2       |
| ST        | -Z, Rr   | Store Indirect and Pre-Dec.      | $Z \leftarrow Z - 1, (Z) \leftarrow Rr$ | None  | 2       |
| STD       | Z+q, Rr  | Store Indirect with Displacement | $(Z + q) \leftarrow Rr$                 | None  | 2       |
| STS       | k, Rr    | Store Direct to SRAM             | $(k) \leftarrow Rr$                     | None  | 2       |
| LPM       |          | Load Program Memory              | $R0 \leftarrow (Z)$                     | None  | 3       |
| LPM       | Rd, Z    | Load Program Memory              | $Rd \leftarrow (Z)$                     | None  | 3       |
| LPM       | Rd, Z+   | Load Program Memory and Post-Inc | $Rd \leftarrow (Z), Z \leftarrow Z+1$   | None  | 3       |

| Mnemonics | Operands | Description                  | Operation   | Flags | #Clocks |
|-----------|----------|------------------------------|---|-------|---------|
| ELPM      |          | Extended Load Program Memory | $R0 \leftarrow (RAMPZ:Z)$                                     | None  | 3       |
| ELPM      | Rd, Z    | Extended Load Program Memory | $Rd \leftarrow (RAMPZ:Z)$                                     | None  | 3       |
| ELPM      | Rd, Z+   | Extended Load Program Memory | $Rd \leftarrow (RAMPZ:Z)$ ,<br>$RAMPZ:Z \leftarrow RAMPZ:Z+1$ | None  | 3       |
| SPM       |          | Store Program Memory         | $(Z) \leftarrow R1:R0$  | None  | -       |
| IN        | Rd, P    | In Port                      | $Rd \leftarrow P$   | None  | 1       |
| OUT       | P, Rr    | Out Port                     | $P \leftarrow Rr$   | None  | 1       |
| PUSH      | Rr       | Push Register on Stack       | $STACK \leftarrow Rr$   | None  | 2       |
| POP       | Rd       | Pop Register from Stack      | $Rd \leftarrow STACK$   | None  | 2       |

## 34.5 MCU Control Instructions

| Mnemonics | Operands | Description                  | Operation                                     | Flags | #Clocks |
|-----------|----------|------------------------------|---|-------|---------|
| NOP       |          | No Operation                 |   | None  | 1       |
| SLEEP     |          | Sleep                        | (see specific description for Sleep function) | None  | 1       |
| WDR       |          | Watchdog Reset               | (see specific description for WDR/timer)      | None  | 1       |
| BREAK     |          | Break For On-chip Debug Only |   | None  | N/A     |

## 35 Electrical Characteristics

### 35.1 Absolute Maximum Ratings

Note that stresses beyond those listed under “Absolute Maximum Ratings” may cause permanent damage to the device. This is a stress rating only and functional operation of the device at these or any other conditions beyond those indicated in the operational sections of this specification are not implied. Exposure to absolute maximum rating conditions for extended periods may affect device reliability.

| Symbol               | Parameter   | Condition  | Min. | Typ. | Max.               | Units |
|----------------------|---|--|------|------|--------------------|-------|
| T <sub>STOR</sub>    | Storage temperature                               |  | -50  |      | 150                | °C    |
| T <sub>LEAD</sub>    | Lead temperature                                  | T = 10s (soldering profile compliant with IPC/JEDEC J-STD-020B)        |      |      | 260                | °C    |
| V <sub>ESD</sub>     | ESD robustness                                    | Compliant to [4]   | 4    |      |                    | kV    |
| P <sub>RF</sub>      | Input RF level                                    |  |      |      | +14                | dBm   |
| V <sub>DDMAX</sub>   | Maximum voltage                                   | Maximum voltage from any pin to ground                                 | -0.3 |      | 3.6                | V     |
| V <sub>DMAXEV</sub>  | Maximum voltage difference between DEVDD and EVDD |  | -0.3 |      | 0.3                | V     |
| V <sub>DIG</sub>     | Voltage on all pins                               | except pins 8,9,21,22,60,62  | -0.3 |      | V <sub>DDMAX</sub> | V     |
| V <sub>ANA</sub>     | Voltage on pins 8,9,21,22,60,62                   |  | -0.3 |      | 2.0                | V     |
| V <sub>COMP_IN</sub> | Comparator input voltage                          | Pins with Comparator input connected by the analog multiplexer         | -0.3 |      | V <sub>DDMAX</sub> | V     |
| V <sub>PGA_IN</sub>  | PGA input voltage                                 | Pins with PGA input connected by the analog multiplexer                | -0.3 |      | V <sub>DDMAX</sub> | V     |
| V <sub>ADC_IN</sub>  | ADC input voltage                                 | Pins with ADC input connected by the analog multiplexer (PGA bypassed) | -0.3 |      | 2.0                | V     |

### 35.2 Recommended Operating Range

| Symbol              | Parameter                                 | Condition  | Min. | Typ. | Max. | Units |
|---------------------|---|--|------|------|------|-------|
| T <sub>OP_ZU</sub>  | Operating temperature range               |  | -40  |      | +85  | °C    |
| T <sub>OP_ZF</sub>  | Operating temperature range               |  | -40  |      | +125 | °C    |
| V <sub>DD</sub>     | Supply voltage                            | Voltage on pins 23,34,44,54,59 <sup>(2)</sup>                    | 1.8  | 3.0  | 3.6  | V     |
| V <sub>DEV</sub>    | Voltage difference between DEVDD and EVDD | EVDD and DEVDD should be tight together on the PCB               |      | 0.0  |      | V     |
| V <sub>DD1.8</sub>  | Supply voltage (on pins 21,22,60)         | External voltage supply <sup>(1)</sup>                           | 1.7  | 1.8  | 1.9  | V     |
| V <sub>OVRDRV</sub> | Pin Overdrive voltage                     | Pin Voltage exceeding supply voltage except pins 8,9,21,22,60,62 |      |      | +0.3 | V     |

- Notes:
1. Register VREG\_CTRL needs to be programmed to disable internal voltage regulators and supply blocks by an external 1.8V supply, refer to section "[Voltage Regulators \(AVREG, DVREG\)](#)" on page 191.
  2. Even if an implementation uses the external 1.8V voltage supply V<sub>DD1.8</sub> it is required to connect V<sub>DD</sub>.

## 35.3 Digital Pin Characteristics

Test Conditions:  $T_{OP} = -40^{\circ}\text{C}$  to  $125^{\circ}\text{C}$ ,  $V_{DD} = 1.8\text{V}$  to  $3.6\text{V}$  (unless otherwise stated)

| Symbol       | Parameter                                | Condition  | Min            | Typ | Max          | Units         |
|--------------|--|--|----------------|-----|--------------|---------------|
| $V_{IH}$     | High level input voltage <sup>(1)</sup>  | Except pin RSTN  | $0.7 V_{DD}$   |     |              | V             |
| $V_{IL}$     | Low level input voltage <sup>(1)</sup>   | Except pin RSTN  |                |     | $0.3 V_{DD}$ | V             |
| $V_{IHRSTN}$ | High level input voltage <sup>(1)</sup>  | Pin RSTN   | $0.9 V_{DD}$   |     |              | V             |
| $V_{ILRSTN}$ | Low level input voltage <sup>(1)</sup>   | Pin RSTN   |                |     | $0.1 V_{DD}$ | V             |
| $V_{OH}$     | High level output voltage <sup>(1)</sup> | $I_{OH} = -12\text{mA}$ , $V_{DD} = 3.6\text{V}$<br>$I_{OH} = -6\text{mA}$ , $V_{DD} = 1.8\text{V}$<br>Maximum. drive strength by DPDS0/1<br>Except Pins 17,18 | $V_{DD} - 0.4$ |     |              | V             |
| $V_{OL}$     | Low level output voltage <sup>(1)</sup>  | $I_{OL} = 16\text{mA}$ , $V_{DD} = 3.6\text{V}$<br>$I_{OL} = 10\text{mA}$ , $V_{DD} = 1.8\text{V}$<br>Maximum drive strength by DPDS0/1<br>Except Pins 17,18   |                |     | 0.4          | V             |
| $V_{OHMIN}$  | High level output voltage <sup>(1)</sup> | $I_{OH} = -3\text{mA}$ , $V_{DD} = 3.6\text{V}$<br>$I_{OH} = -1.5\text{mA}$ , $V_{DD} = 1.8\text{V}$<br>Minimum drive strength by DPDS0/1<br>Except Pins 17,18 | $V_{DD} - 0.4$ |     |              | V             |
| $V_{OLMIN}$  | Low level output voltage <sup>(1)</sup>  | $I_{OL} = 4\text{mA}$ , $V_{DD} = 3.6\text{V}$<br>$I_{OL} = 2.5\text{mA}$ , $V_{DD} = 1.8\text{V}$<br>Minimum. drive strength by DPDS0/1<br>Except Pins 17,18  |                |     | 0.4          | V             |
| $R_{RSTN}$   | Reset pull-up resistor                   |  | 120            |     | 360          | k $\Omega$    |
| $R_{GPIO}$   | GPIO pull-up resistor                    | If pull-up resistor is enabled   | 120            |     | 360          | k $\Omega$    |
| $I_{IL}$     | Input Leakage current                    | $V_{DD} = 3.6\text{V}$ , pin low   |                |     | 1            | $\mu\text{A}$ |
|              |  | $T = 25^{\circ}\text{C}$   |                | <10 |              | nA            |
| $I_{IH}$     | Input Leakage current                    | $V_{DD} = 3.6\text{V}$ , pin high  |                |     | 1            | $\mu\text{A}$ |
|              |  | $T = 25^{\circ}\text{C}$   |                | <10 |              | nA            |

Note: 1. The capacitive load should not be larger than 50 pF for all I/Os when using the default driver strength settings, refer to section "DPDS0 – Port Driver Strength Register 0" on page 204 and "DPDS1 – Port Driver Strength Register 1" on page 205. Generally, large load capacitances increase the overall current consumption.

## 35.4 Transceiver Pin Characteristics

Test Conditions:  $T_{OP} = 25^{\circ}\text{C}$ ,  $V_{DD} = 1.8\text{V}$  to  $3.6\text{V}$  (unless otherwise stated)

| Symbol        | Parameter                     | Condition                       | Min | Typ  | Max | Units |
|---------------|-------------------------------|---------------------------------|-----|------|-----|-------|
| $V_{RFNPDC1}$ | DC level RF pins RFN and RFP  | Transceiver in BUSY_TX          |     | 0.9  |     | V     |
| $V_{RFNPDC2}$ |                               | Transceiver in receive states   |     | 0.02 |     | V     |
| $V_{RFNPDC3}$ |                               | Transceiver, other states       |     | 0    |     | V     |
| $V_{XTALDC}$  | DC level pins XTAL1 and XTAL2 | $C_{X1}$ and $C_{X2}$ connected |     | 0.9  |     | V     |

Note: 1. Pins RFN and RFP require an AC coupling if the external parts (e.g. balun, antenna) have a DC path to ground. Serial capacitances and capacitance of each pin to ground must be < 30 pF.  
2. For  $C_{X1}$  and  $C_{X2}$  see "Table 32-1" on page 539

## 35.5 Power Supply Currents (RF transceiver in SLEEP mode)

Test Conditions:  $T_{OP} = 25^{\circ}\text{C}$ ,  $V_{DD} = 3.0\text{V}$  (unless otherwise stated)

| Symbol                               | Parameter  | Condition / AVR mode             | Min | Typ  | Max | Units |    |
|--------------------------------------|--|----------------------------------|-----|------|-----|-------|----|
| $I_{SUPPLY}$                         | Power Supply Current<br>( $PRR0=0xFF$ , $PRR1=0x3F$ ,<br>16MHz RC Oscillator selected) | Standby mode                     |     | 0.31 |     | mA    |    |
|                                      |  | Idle 1MHz                        |     | 0.45 |     | mA    |    |
|                                      |  | Idle 8MHz                        |     | 0.8  |     | mA    |    |
|                                      |  | Idle 16MHz                       |     | 1.1  |     | mA    |    |
|                                      |  | Active 1MHz                      |     | 0.8  |     | mA    |    |
|                                      |  | Active 8MHz                      |     | 2.5  |     | mA    |    |
|                                      |  | Active 16MHz                     |     | 3.7  |     | mA    |    |
|                                      | Power Supply Current<br>( $PRR0=0x00$ , $PRR1=0x00$ )                                  | Active, 16MHz RC Oscillator      |     |      | 4.0 |       | mA |
|                                      |  | Active, 16MHz Crystal Oscillator |     |      | 4.5 |       | mA |
| Active, external 16MHz clock on CLKI |  |                                  |     | 4.5  |     | mA    |    |

Test Conditions:  $T_{OP} = 25^{\circ}\text{C}$ ,  $V_{DD} = 3.0\text{V}$  (unless otherwise stated)

| Symbol         | Parameter  | Condition  | Min | Typ  | Max  | Units         |               |
|----------------|--|--|-----|------|------|---------------|---------------|
| $I_{DS0}$      | Power Supply current in<br>DEEP_SLEEP<br>(Transceiver in SLEEP mode, AVR<br>in Power Save/Down mode) | AVR in Power Down mode WDT disabled                              |     | 0.75 |      | $\mu\text{A}$ |               |
| $I_{DS\_PDW}$  |  | Power Down mode, WDT enabled                                     |     | 1.4  |      | $\mu\text{A}$ |               |
| $I_{DS\_PSX}$  |  | Power Save mode, 32.768kHz crystal<br>oscillator enabled         |     |      | 1.5  |               | $\mu\text{A}$ |
| $I_{DS\_PSWX}$ |  | Power Save mode, WDT and 32.768kHz<br>crystal oscillator enabled |     |      | 2.15 |               | $\mu\text{A}$ |

Test Conditions:  $V_{DD} = 3.0\text{V}$  (unless otherwise stated)

| Symbol     | Parameter   | Condition                 | Min | Typ  | Max | Units         |
|------------|---|---------------------------|-----|------|-----|---------------|
| $I_{DS0T}$ | DEEP_SLEEP current (Transceiver<br>in SLEEP mode, AVR in Power<br>Save/Down mode, WDT disabled) | $T = 25^{\circ}\text{C}$  |     | 0.75 |     | $\mu\text{A}$ |
|            |   | $T = 85^{\circ}\text{C}$  |     | 3.0  |     | $\mu\text{A}$ |
|            |   | $T = 125^{\circ}\text{C}$ |     | 19.6 |     | $\mu\text{A}$ |

## 35.6 Clock Characteristics

### 35.6.1 Calibrated Internal RC Oscillator Accuracy

**Table 35-2.** Calibration Accuracy of Internal RC Oscillator

|                     | Frequency      | $V_{DEVDD}$ | Temperature                                     | Calibration Accuracy |
|---------------------|----------------|-------------|---|----------------------|
| Factory Calibration | 16 MHz         | 3.0V        | 25 $^{\circ}\text{C}$                           | $\pm 10\%$           |
| User Calibration    | 15.1 – 17.5MHz | 1.8V – 3.6V | -40 $^{\circ}\text{C}$ - 125 $^{\circ}\text{C}$ | $\pm 1\%$            |

### 35.6.2 32.768kHz Crystal Oscillator

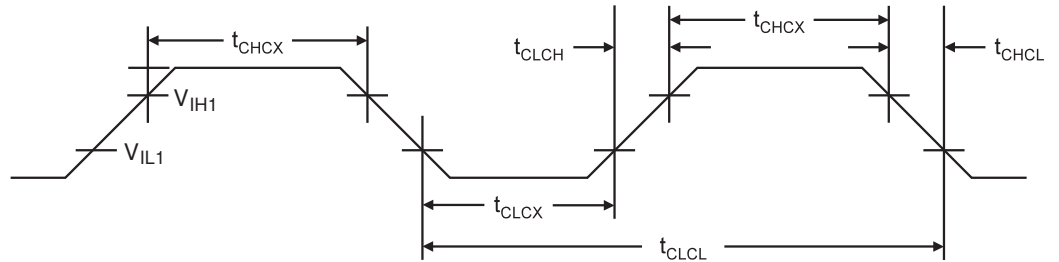
| Symbol      | Parameter                         | Condition   | Min. | Typ.   | Max. | Units |
|-------------|-----------------------------------|---|------|--------|------|-------|
| $f_0$       | Crystal frequency                 |   |      | 32.768 |      | kHz   |
| $C_{EXT32}$ | External load capacitor to ground | $C_{EXT32} = 2 \cdot (C_{LOAD32} - C_{PAR32} - C_{PAR\_PCB})$<br>see Application schematic CX3, CX4 |      |        | 20.0 | pF    |



|               |   |                      |     |     |      |            |
|---------------|---|----------------------|-----|-----|------|------------|
| $C_{LOAD32}$  | Load capacitance as specified by the crystal manufacturer |                      | 6   |     | 12.5 | pF         |
| $C_{SHUNT32}$ | Shunt capacitance   |                      | 0.6 |     | 2.0  | pF         |
| $C_{PAR32}$   | Internal parasitic capacitance                            |                      | 2.1 | 2.4 | 2.7  | pF         |
| ESR           | Equivalent series resistance                              | Crystal @ 32.768 kHz |     | 50  | 100  | k $\Omega$ |

### 35.6.3 External Clock Drive (pin CLKI)

**Figure 35-1** External Clock Drive Waveforms



**Table 35-3.** External Clock Drive

| Symbol            | Parameter   | Min. | Max. | Units   |
|-------------------|---|------|------|---------|
| $1/t_{CLCL}$      | Oscillator Frequency                              |      | 16   | MHz     |
| $t_{CLCL}$        | Clock Period                                      | 62.5 |      | ns      |
| $t_{CHCX}$        | High Time   | 25   |      | ns      |
| $t_{CLCX}$        | Low Time  | 25   |      | ns      |
| $t_{CLCH}$        | Rise Time   |      | 0.1  | $\mu$ s |
| $t_{CHCL}$        | Fall Time   |      | 0.1  | $\mu$ s |
| $\Delta t_{CLCL}$ | Change in period from one clock cycle to the next |      | 1    | %       |

## 35.7 System and Reset Characteristics

**Table 35-23.** BODLEVEL Fuse Coding<sup>(1)</sup>

| BODLEVEL2:0 Fuses | Min $V_{BOD}$ | Typ $V_{BOD}$ | Max $V_{BOD}$ | Units |
|-------------------|---------------|---------------|---------------|-------|
| 111               | BOD Disabled  |               |               |       |
| 110               |               | 1.8           |               | V     |
| 101               |               | 1.9           |               | V     |
| 100               |               | 2.0           |               | V     |
| 011               |               | 2.1           |               | V     |
| 010               |               | 2.2           |               | V     |
| 001               |               | 2.3           |               | V     |
| 000               |               | 2.4           |               | V     |

Note: 1.  $V_{BOT}$  may be below nominal minimum operating voltage. The device is operated down to  $V_{DEVDD} = V_{BOT}$  during the production test. This guarantees that a Brown-Out Reset will occur before  $V_{DEVDD}$  drops to a voltage where correct operation of the microcontroller is no longer guaranteed. The test is performed using BODLEVEL = 110 for 16 MHz operation of the ATmega2564/1284/644RFR2.

**Table 35-5.** Reset, Brown-out and Internal Voltage Characteristics

| Symbol    | Parameter                          | Condition                         | Min         | Typ | Max         | Units |
|-----------|------------------------------------|-----------------------------------|-------------|-----|-------------|-------|
| $V_{RST}$ | RSTN Pin Threshold Voltage         |                                   | $0.1V_{DD}$ |     | $0.9V_{DD}$ | V     |
| $t_{RST}$ | Minimum pulse width on RSTN Pin    |                                   |             | 200 | 300         | ns    |
| $V_{HYS}$ | Brown-out Detector Hysteresis      |                                   |             | 7.5 | 50          | mV    |
| $t_{BOD}$ | Min Pulse Width on Brown-out Reset |                                   |             | 100 |             | ns    |
| $V_{BG}$  | Bandgap reference voltage          | $V_{DD} = 3.0V, T_A = 25^\circ C$ |             | 1.2 |             | V     |

**Table 35-6.** Power-On Reset Voltage Characteristics

| Symbol    | Parameter   | Condition                      | Min <sup>(1)</sup>                        | Typ <sup>(1)</sup>                       | Max <sup>(1)</sup>                        | Units |
|-----------|---|--------------------------------|---|--|---|-------|
| $V_{POT}$ | Power-on Reset Threshold Voltage (rising) <sup>(2)</sup>  | Power supply discharged        | 1.55                                      | 1.6                                      | 1.65                                      | V     |
|           | Power-on Reset Threshold Voltage (falling) <sup>(3)</sup> |                                | 1.45 <sup>(4)</sup><br>0.9 <sup>(5)</sup> | 1.5 <sup>(4)</sup><br>1.2 <sup>(5)</sup> | 1.55 <sup>(4)</sup><br>1.4 <sup>(5)</sup> | V     |
| $t_{POT}$ | Power-on Reset recovery time                              | Time of EVDD/DEVDD < $V_{POT}$ | 1.0                                       |  |   | ms    |
| $V_{PSR}$ | Power-on slope rate                                       |                                | 0.01                                      |  | 3300                                      | V/ms  |

- Note:
1. Values are guidelines only.
  2. Threshold where device is released from reset when voltage is rising.
  3. The Power-on Reset will not work unless the supply voltage has been below  $V_{POT}$  (falling).
  4. Threshold voltage if the device is not in DEEP\_SLEEP state
  5. DEEP\_SLEEP state the threshold voltage is reduced to a second level.

## 35.8 Power Management Electrical Characteristics

### 35.8.1 Power Switches

**Table 35-7.** Timing Characteristics of the Power Switches

| Symbol          | Parameter                   | Condition  | Min. | Typ. | Max. | Units   |
|-----------------|-----------------------------|--|------|------|------|---------|
| $t_{POR}$       | Power-on reset time         | Applies if the device is powered up. Additional delay may occur if slow rising power supply. |      | 170  |      | $\mu s$ |
| $t_{BG}$        | Bandgap startup time        |  |      | 7    |      | $\mu s$ |
| $t_{DRT\_ON}$   | DRT switch switch-on time   |  |      | 2    |      | $\mu s$ |
| $t_{PWRSW\_ON}$ | Power switch switch-on time |  |      | 2    |      | $\mu s$ |

### 35.8.2 Voltage Regulators

**Table 35-8.** Timing Characteristics of the Voltage regulators

| Symbol      | Parameter           | Condition   | Min. | Typ. | Max. | Units   |
|-------------|---------------------|---|------|------|------|---------|
| $t_{AVREG}$ | Power up time AVREG | $C_{AVDD} = 1 \mu F$  |      | 60   |      | $\mu s$ |
| $t_{DVREG}$ | Power up time DVREG | Startup after Power-On  |      | 40   |      | $\mu s$ |
|             |                     | $C_{DVDD} = 100 \text{ nF}$<br>$C_{DVDD} = 1 \mu F$                   |      | 60   |      | $\mu s$ |
| $t_{DVREG}$ | Power up time DVREG | Startup after DEEP_SLEEP<br>$C_{DVDD} = 100 \text{ nF} \dots 1 \mu F$ |      | 10   |      | $\mu s$ |

| Symbol                | Parameter                        | Condition                                      | Min. | Typ. | Max. | Units |
|-----------------------|----------------------------------|--|------|------|------|-------|
| I <sub>RAMP</sub> MAX | Max. load current during ramp-up | Current limitation is applied to ramp-up only. |      | 15   |      | mA    |

### 35.8.3 Low-Leakage Voltage Regulator

**Table 35-28.** Timing Characteristics of the Low-Leakage Voltage Regulator<sup>(1,2)</sup>

| Symbol           | Parameter        | Condition                                 | Min. | Typ. | Max. | Units |
|------------------|------------------|---|------|------|------|-------|
| t <sub>CAL</sub> | Calibration time | After power-on or wake-up from DEEP_SLEEP |      | 200  |      | μs    |

- Notes:
1. Values are guidelines only.
  2. The autonomous calibration process must be completed before the device can enter DEEP\_SLEEP mode. Entering DEEP\_SLEEP is only delayed if the CPU code execution until the sleep() command is shorter than t<sub>CAL</sub>. See sections "[Low Leakage Voltage Regulator \(LLVREG\)](#)" on page 192 and "[Low Leakage Voltage Regulator Control](#)" on page 193 for further details.

### 35.8.4 Deep-Sleep Mode

**Table 35-10.** Timing Characteristics entering Deep-Sleep Mode (256K Byte FLASH memory configuration)

| Symbol                    | Parameter   | Condition  | Min. | Typ. | Max. | Units |
|---------------------------|---|--|------|------|------|-------|
| t <sub>DS</sub>           | Time to enter DEEP_SLEEP <sup>(1)</sup>   | CPU sleep() instruction to oscillator is turned off while transceiver is already in SLEEP state                                |      | 3    |      | CLK   |
| t <sub>DSWRC</sub>        | Time from wake-up event to CPU code execution (ISR) <sup>(3)</sup>                | CPU running with 16 MHz RC oscillator clock, wake-up with pin change interrupt   |      | 34   |      | μs    |
| t <sub>DSWRC128K</sub>    | Time from wake-up event to CPU code execution (ISR)                               | CPU running with 128 kHz RC oscillator clock, wake-up with pin change interrupt  |      | 420  |      | μs    |
| t <sub>DSWXT</sub>        | Time from wake-up event to CPU code execution (ISR)                               | CPU running with 16 MHz crystal clock (CKSEL = 0110), wake-up with pin change interrupt (SUT = 00 → 258 clocks) <sup>(2)</sup> |      | 600  |      | μs    |
| t <sub>DSWRC,TRXOFF</sub> | Time from wake-up event to TRX_OFF transceiver state                              | CPU running with 16 MHz RC oscillator clock, wake-up with pin change interrupt   |      | 650  |      | μs    |
| t <sub>DSWXT,TRXOFF</sub> | Time from wake-up event to TRX_OFF transceiver state                              | CPU running with 16 MHz crystal clock (CKSEL = 0110), wake-up with pin change interrupt (SUT = 00 → 258 clocks) <sup>(2)</sup> |      | 650  |      | μs    |
| t <sub>DSWOFF,128K</sub>  | Reduction of wake-up time for 128K Byte FLASH memory configuration <sup>(4)</sup> |  |      | 9    |      | μs    |
| t <sub>DSWOFF,64K</sub>   | Reduction of wake-up time for 64K Byte FLASH memory configuration <sup>(4)</sup>  |  |      | 13   |      | μs    |

- Note:
1. The automatic LLVREG calibration must have been completed or disabled. See "[Low Leakage Voltage Regulator \(LLVREG\)](#)" on page 192 and [Table 35-28](#) above for details.
  2. Crystal oscillator start-up times depend on CKSEL and SUT setting. See [Table 11-10](#) on page 179 for details.
  3. ISR = Interrupt Service Routine.
  4. Subtract t<sub>DSWOFF</sub> from wake-up times given for 256K Byte FLASH memory configuration.

## 35.9 2-wire Serial Interface Characteristics

Table 35-11 below describes the requirements for devices connected to the 2-wire Serial Bus. The ATmega2564/1284/644RFR2 2-wire Serial Interface meets or exceeds these requirements under the noted conditions.

Timing symbols refer to Figure 35-2 on page 557.

**Table 35-11.** 2-wire Serial Bus Requirements

| Symbol                          | Parameter  | Condition   | Min                                   | Max                          | Units |
|---------------------------------|--|---|---------------------------------------|------------------------------|-------|
| V <sub>IL</sub>                 | Input Low-voltage  |   | -0.5                                  | 0.3V <sub>DD</sub>           | V     |
| V <sub>IH</sub>                 | Input High-voltage   |   | 0.7V <sub>DD</sub>                    | V <sub>DD</sub> +0.5         | V     |
| V <sub>hys</sub> <sup>(1)</sup> | Hysteresis of Schmitt Trigger Inputs                           |   | 0.05V <sub>DD</sub> <sup>(2)</sup>    |                              | V     |
| V <sub>OL</sub> <sup>(1)</sup>  | Output Low-voltage   | 3 mA sink current   | 0                                     | 0.4                          | V     |
| t <sub>r</sub> <sup>(1)</sup>   | Rise Time for both SDA and SCL                                 |   | 20+0.1C <sub>b</sub> <sup>(2,3)</sup> | 300                          | ns    |
| t <sub>of</sub> <sup>(1)</sup>  | Output Fall Time from V <sub>IHmin</sub> to V <sub>ILmax</sub> | 10 pF < C <sub>b</sub> < 400 pF <sup>(3)</sup>                                    | 20+0.1C <sub>b</sub> <sup>(2,3)</sup> | 250                          | ns    |
| t <sub>SP</sub> <sup>(1)</sup>  | Spikes suppressed by the input filter                          |   | 0                                     | 50 <sup>(2)</sup>            | ns    |
| I <sub>i</sub>                  | Input current each I/O Pin                                     | 0.1V <sub>DD</sub> < V <sub>i</sub> < 0.9V <sub>DD</sub>                          | -10                                   | 10                           | μA    |
| C <sub>i</sub> <sup>(1)</sup>   | Capacitance for each I/O Pin                                   |   |                                       | 10                           | pF    |
| f <sub>SCL</sub>                | SCL Clock frequency  | f <sub>CK</sub> <sup>(4)</sup> > max(16f <sub>SCL</sub> , 250 kHz) <sup>(5)</sup> | 0                                     | 400                          | kHz   |
| R <sub>p</sub>                  | Value of Pull-up resistor                                      | f <sub>SCL</sub> ≤ 100 kHz  | $\frac{V_{DD} - 0.4V}{3mA}$           | $\frac{1000\text{ ns}}{C_b}$ | Ω     |
|                                 |  | f <sub>SCL</sub> > 100 kHz  | $\frac{V_{DD} - 0.4V}{3mA}$           | $\frac{300\text{ ns}}{C_b}$  | Ω     |
| t <sub>HD,STA</sub>             | Hold time (repeated) START condition                           | f <sub>SCL</sub> ≤ 100 kHz  | 4.0                                   |                              | μs    |
|                                 |  | f <sub>SCL</sub> > 100 kHz  | 0.6                                   |                              | μs    |
| t <sub>LOW</sub>                | Low period of the SCL clock                                    | f <sub>SCL</sub> ≤ 100 kHz <sup>(6)</sup>   | 4.7                                   |                              | μs    |
|                                 |  | f <sub>SCL</sub> > 100 kHz <sup>(7)</sup>   | 1.3                                   |                              | μs    |
| t <sub>HIGH</sub>               | High period of the SCL clock                                   | f <sub>SCL</sub> ≤ 100 kHz  | 4.0                                   |                              | μs    |
|                                 |  | f <sub>SCL</sub> > 100 kHz  | 0.6                                   |                              | μs    |
| t <sub>SU,STA</sub>             | Set-up time for a repeated START condition                     | f <sub>SCL</sub> ≤ 100 kHz  | 4.7                                   |                              | μs    |
|                                 |  | f <sub>SCL</sub> > 100 kHz  | 0.6                                   |                              | μs    |
| t <sub>HD,DAT</sub>             | Data hold time   | f <sub>SCL</sub> ≤ 100 kHz  | 0                                     |                              | μs    |
|                                 |  | f <sub>SCL</sub> > 100 kHz  | 0                                     |                              | μs    |
| t <sub>SU,DAT</sub>             | Date setup time  | f <sub>SCL</sub> ≤ 100 kHz  | 250                                   |                              | ns    |
|                                 |  | f <sub>SCL</sub> > 100 kHz  | 100                                   |                              | ns    |
| t <sub>SU,STO</sub>             | Setup time for STOP condition                                  | f <sub>SCL</sub> ≤ 100 kHz  | 4.0                                   |                              | μs    |
|                                 |  | f <sub>SCL</sub> > 100 kHz  | 0.6                                   |                              | μs    |
| t <sub>BUF</sub>                | Bus free time between a STOP and START condition               | f <sub>SCL</sub> ≤ 100 kHz  | 4.7                                   |                              | μs    |
|                                 |  | f <sub>SCL</sub> > 100 kHz  | 1.3                                   |                              | μs    |

Notes: 1. This parameter is characterized and not 100% tested

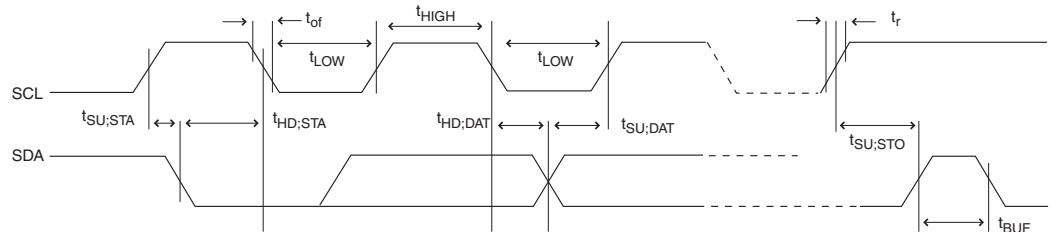
2. Required only for f<sub>SCL</sub> > 100 kHz

3. C<sub>b</sub>=capacitance of one bus line in pF

4. f<sub>CK</sub>=CPU clock frequency

5. This requirement applies to all the ATmega2564/1284/644RFR2 2-wire Serial Interface operation. Other devices connected to the 2-wire Serial Bus need only obey the general  $f_{SCL}$  requirement.
6. The actual low period generated by the ATmega2564/1284/644RFR2 2-wire Serial interface is  $(1/f_{SCL} - 2/f_{CK})$ , thus  $f_{CK}$  must be greater than 6MHz for the low time requirement to be strictly met at  $f_{SCL} = 100$  kHz.
7. The actual low period generated by the ATmega2564/1284/644RFR2 2-wire Serial interface is  $(1/f_{SCL} - 2/f_{CK})$ , thus the low time requirement will not be strictly met for  $f_{SCL} > 308$  kHz when  $f_{CK} = 8$  MHz. Still, ATmega2564/1284/644RFR2 devices connected to the bus may communicate at full speed (400 kHz) with other ATmega2564/1284/644RFR2 devices, as well as any other device with proper  $t_{LOW}$  acceptance margin.

**Figure 35-2. 2-wire Serial Bus Timing**



## 35.10 SPI Timing Characteristics

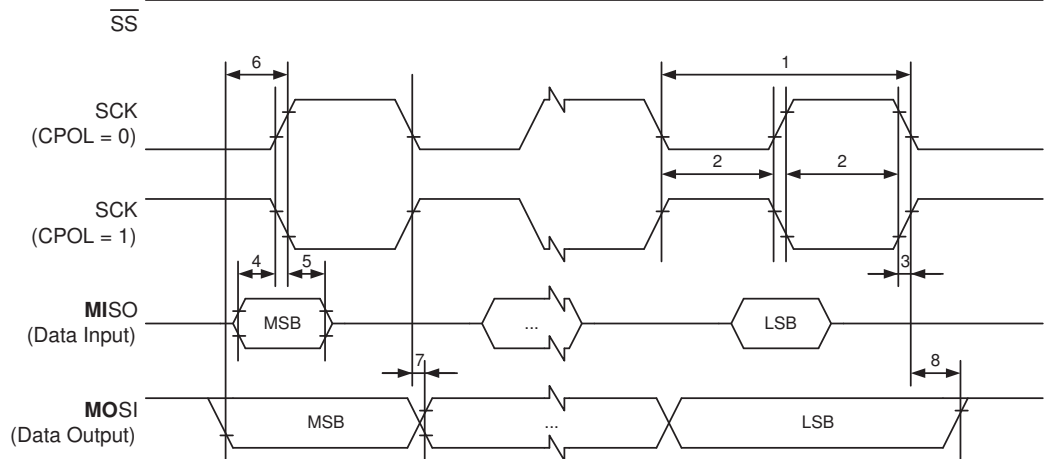
See [Figure 35-3](#) on page 558 and [Figure 35-4](#) on page 558 for details.

**Table 35-12. SPI Timing Parameters**

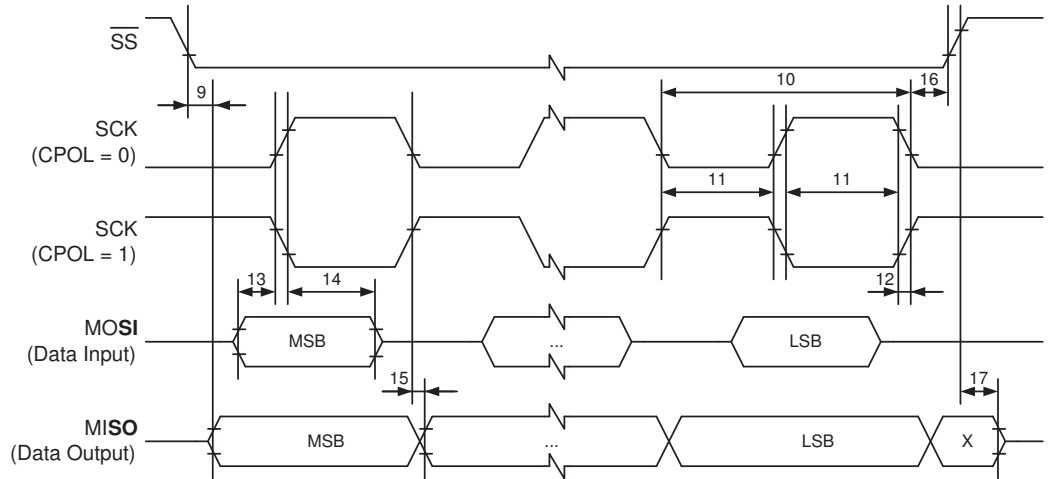
| Description                 | Mode   | Min        | Typ  | Max  | Units |
|-----------------------------|--------|------------|--|------|-------|
| SCK period                  | Master |            | See "SPCR – SPI Control Register" on page 367. |      |       |
| SCK high/low                | Master |            | 50% duty cycle                                 |      |       |
| Rise/fall time              | Master |            | 3.6  |      | ns    |
| Setup                       | Master |            | 10   |      | ns    |
| Hold                        | Master |            | 10   |      | ns    |
| Out to SCK                  | Master |            | $0.5 t_{SCK}$                                  |      |       |
| SCK to out                  | Master |            | 10   |      | ns    |
| SCK to out high             | Master |            | 10   |      | ns    |
| SS low to out               | Slave  |            | 10   |      | ns    |
| SCK period                  | Slave  | $4 t_{CK}$ |  |      |       |
| SCK high/low <sup>(1)</sup> | Slave  | $2 t_{CK}$ |  |      |       |
| Rise/fall time              | Slave  |            |  | 1600 | ns    |
| Setup                       | Slave  | 10         |  |      | ns    |
| Hold                        | Slave  | $t_{CK}$   |  |      |       |
| SCK to out                  | Slave  |            | 15   |      | ns    |
| SCK to SS high              | Slave  | 20         |  |      | ns    |
| SS high to tri-state        | Slave  |            | 10   |      | ns    |
| SS low to SCK               | Slave  | 20         |  |      | ns    |

Note: 1. In SPI Programming mode the minimum SCK high/low period is  $2 t_{CLCL}$  for  $f_{CK} < 12$  MHz and  $3 t_{CLCL}$  for  $f_{CK} > 12$  MHz.

**Figure 35-3. SPI timing Requirements (Master Mode)**



**Figure 35-4. SPI timing Requirements (Slave Mode)**



### 35.11 ADC Characteristics

**Table 35-13. ADC Electrical Characteristics**

| Symbol             | Parameter                  | Condition   | Min | Typ  | Max | Units    |
|--------------------|----------------------------|---|-----|------|-----|----------|
| $V_{REFINT1}$      | Internal Voltage Reference |   |     | 1.5  |     | V        |
| $V_{REFINT2}$      | Internal Voltage Reference |   |     | 1.6  |     | V        |
| $V_{REFINT3}$      | Internal Voltage Reference |   |     | AVDD |     | V        |
| $R_{AREF,EXT}$     | External Voltage Impedance |   |     |      | 6   | $\Omega$ |
| $I_{L,AREF}$       | Load Current               | Loading AREF is not recommended.  |     |      | 0.1 | mA       |
| $I_{SUPPLY,ADCSE}$ | Supply Current             | ADC Current (Single ended conversion, $f_{CLKADC} = 2\text{MHz}$ )          |     | 0.85 | 1.0 | mA       |
| $I_{SUPPLY,ADCD}$  | Supply Current             | ADC Current with PGA (Differential conversion, $f_{CLKADC} = 1\text{MHz}$ ) |     | 1.75 | 2.0 | mA       |

**Table 35-14. ADC Characteristics, Single Ended Channels** <sup>(1)(2)</sup>

| Symbol               | Parameter  | Condition   | Min  | Typ | Max  | Units      |
|----------------------|--|---|------|-----|------|------------|
| d <sub>RES4M</sub>   | Resolution   | Single Ended Conversion $f_{CLKADC} \leq 4$ MHz                   |      | 10  |      | Bits       |
| d <sub>RES8M</sub>   |  | Single Ended Conversion $f_{CLKADC} = 8$ MHz                      |      | 8   |      | Bits       |
| e <sub>ABS500k</sub> | Absolute accuracy (Including INL, DNL, quantization error, gain and offset error) <sup>(3)</sup> | Single Ended Conversion<br>$V_{REF} = 1.6V$ $f_{CLKADC} = 500kHz$ |      | 2   |      | LSB        |
| e <sub>ABS2M</sub>   |  | Single Ended Conversion<br>$V_{REF} = 1.6V$ $f_{CLKADC} = 2MHz$   |      | 2   |      | LSB        |
| e <sub>ABS4M</sub>   |  | Single Ended Conversion<br>$V_{REF} = 1.6V$ $f_{CLKADC} = 4MHz$   |      | 2   |      | LSB        |
| e <sub>INL</sub>     | Integral Non-Linearity (INL)   | Single Ended Conversion<br>$V_{REF} = 1.6V$ $f_{CLKADC} = 4MHz$   |      | 0.8 |      | LSB        |
| e <sub>DNL</sub>     | Differential Non-Linearity (DNL)   | Single Ended Conversion<br>$V_{REF} = 1.6V$ $f_{CLKADC} = 4MHz$   | -0.5 |     |      | LSB        |
| e <sub>GAIN</sub>    | Gain Error   | Single Ended Conversion<br>$V_{REF} = 1.6V$ $f_{CLKADC} = 4MHz$   |      | 1   |      | LSB        |
| e <sub>OFFSET</sub>  | Offset Error   | Single Ended Conversion<br>$V_{REF} = 1.6V$ $f_{CLKADC} = 4MHz$   |      | 1.5 |      | LSB        |
| t <sub>CONV,SE</sub> | Conversion Time  | Free Running Conversion   | 3    |     | 240  | $\mu s$    |
| f <sub>CLKADC</sub>  | Clock Frequency  | Single Ended Conversion   |      |     | 8    | MHz        |
| V <sub>REF</sub>     | Reference Voltage  |   | 1.5  |     | AVDD | V          |
| V <sub>IN,SE</sub>   | Input Voltage  |   | 0    |     | AVDD | V          |
| f <sub>IBW</sub>     | Input Bandwidth  |   | 20   |     |      | kHz        |
| C <sub>AIN</sub>     | Input Sampling Capacitance   |   |      | 14  |      | pF         |
| R <sub>AIN,SER</sub> | Analog Series Resistance <sup>(4)</sup>  | Between pin and sampling capacitor                                |      | 2   |      | k $\Omega$ |
| R <sub>AIN</sub>     | Analog Input Resistance  | Static load resistor of input signal                              |      | 100 |      | M $\Omega$ |

- Notes:
1. Values are guidelines only.
  2. All values are valid for EVDD = 3.0V.
  3. Absolute accuracies do not include dependencies on the absolute value of the reference voltage.
  4. Series resistor depends on supply voltage (MOS switch resistance  $\sim 1/V_{SUPPLY}$ ).

**Table 35-15. PGA and ADC Characteristics, Differential Channels** <sup>(1)(2)(4)</sup>

| Symbol                 | Parameter  | Condition   | Min   | Typ | Max | Units |
|------------------------|--|---|-------|-----|-----|-------|
| d <sub>RES,D</sub>     | Resolution   | All gain settings                                 |       | 10  |     | Bits  |
| e <sub>ABS,D1</sub>    | Absolute accuracy (Including INL, DNL, quantization error, gain and offset error) <sup>(3)</sup> | Gain = 1x<br>$V_{REF} = 1.6V$ $f_{CLKADC} = 2MHz$ |       | 3   |     | LSB   |
| e <sub>INL,D1</sub>    |  | Gain = 1x<br>$V_{REF} = 1.6V$ $f_{CLKADC} = 2MHz$ |       |     | 3   | LSB   |
| e <sub>DNL,D1</sub>    |  | Gain = 1x<br>$V_{REF} = 1.6V$ $f_{CLKADC} = 2MHz$ | -0.75 |     |     | LSB   |
| e <sub>GAIN,D1</sub>   | Gain Error   | Gain = 1x   |       | 1   |     | LSB   |
| e <sub>GAIN,D10</sub>  |  | Gain = 10x  |       | 1.5 |     |       |
| e <sub>GAIN,D200</sub> |  | Gain = 200x                                       |       | 10  |     |       |

| Symbol                 | Parameter                               | Condition   | Min   | Typ | Max  | Units         |
|------------------------|---|---|-------|-----|------|---------------|
| $e_{\text{OFFSET,D1}}$ | Offset Error                            | Gain = 1x<br>$V_{\text{REF}} = 1.6\text{V}$ $f_{\text{CLKADC}} = 2\text{MHz}$ |       | 0.7 |      | LSB           |
| $t_{\text{CONV,D}}$    | Conversion Time                         | Free Running Conversion   | 100   |     |      | $\mu\text{s}$ |
| $f_{\text{CLKADC}}$    | Clock Frequency                         | Single Ended Conversion   |       |     | 2    | MHz           |
| $V_{\text{REF}}$       | Reference Voltage                       |   | 1.5   |     | AVDD | V             |
| $V_{\text{CM}}$        | Input Common Mode Voltage               |   | 0     |     | EVDD | V             |
| $V_{\text{IN,DIFF}}$   | Input Differential Voltage              | Input pin voltage $\geq 0\text{V}$  | -AVDD |     | AVDD | V             |
| $d_{\text{OUT,D}}$     | ADC Conversion Output                   |   | -512  |     | 511  | LSB           |
| $f_{\text{IBW,D}}$     | Input Bandwidth                         |   | 20    |     |      | kHz           |
| $C_{\text{AIN,PGA}}$   | Input Sampling Capacitance              | Gain = 200x   |       | 7.5 |      | pF            |
| $R_{\text{AIN,SER}}$   | Analog Series Resistance <sup>(5)</sup> | Between pin and sampling capacitor  |       | 0.5 |      | k $\Omega$    |
| $R_{\text{AIN}}$       | Analog Input Resistance                 | Static load resistor of input signal  |       | 100 |      | M $\Omega$    |

- Notes:
1. Values are guidelines only
  2. All values are valid for EVDD = 3.0V
  3. Absolute accuracies do not include dependencies on the absolute value of the reference voltage.
  4. Performance of differential channels deteriorates if PGA output voltage is close to ground.
  5. Series resistor depends on supply voltage (MOS switch resistance  $\sim 1/V_{\text{SUPPLY}}$ ).

## 35.12 Temperature Sensor Characteristics

**Table 35-16.** Temperature Sensor Characteristics

| Symbol                 | Parameter                | Condition   | Min | Typ | Max | Units |
|------------------------|--------------------------|---|-----|-----|-----|-------|
| $T_{\text{DISTNOCAL}}$ | Temperature distribution | Typical, No calibration performed, $T = 25\text{ }^{\circ}\text{C}$<br>Internal 1.6V Bandgap reference selected |     | 3.5 |     | K     |

## 35.13 Analog Comparator Characteristics

**Table 35-17.** Analog Comparator Electrical Characteristics

| Symbol                 | Parameter                            | Condition  | Min | Typ | Max | Units         |
|------------------------|--------------------------------------|--|-----|-----|-----|---------------|
| $V_{\text{ACIO}}$      | Input Offset Voltage <sup>(1)</sup>  | $V_{\text{DD}} = 3.0\text{V}$ , $V_{\text{IN}} = V_{\text{DD}}/2$ , $T = 25\text{ }^{\circ}\text{C}$ |     | <10 |     | mV            |
| $I_{\text{ACLK}}$      | Input Leakage Current <sup>(4)</sup> | $V_{\text{DD}} = 3.0\text{V}$ , $V_{\text{IN}} = V_{\text{DD}}/2$ , $T = 25\text{ }^{\circ}\text{C}$ |     | <10 |     | nA            |
| $t_{\text{ACID}}$      | Propagation Delay <sup>(2)</sup>     | $V_{\text{DD}} = 3.0\text{V}$ , $V_{\text{IN}} = V_{\text{DD}}/2$ , $T = 25\text{ }^{\circ}\text{C}$ |     | 175 |     | nA            |
| $I_{\text{SUPPLY,AC}}$ | Supply Current <sup>(3)</sup>        | $V_{\text{DD}} = 3.0\text{V}$ , $V_{\text{IN}} = V_{\text{DD}}/2$ , $T = 25\text{ }^{\circ}\text{C}$ |     | 50  |     | $\mu\text{A}$ |

- Notes:
1. This parameter is characterized and not 100% tested.
  2. Analog delay only. Output of comparator is clocked into ACO bit of ACSR register.
  3. Bit ACD in register ACSR is low.
  4. See also parameters  $I_{\text{IL}}$  and  $I_{\text{IH}}$  in section "[Digital Pin Characteristics](#)" on page 551.

## 35.14 Transceiver Electrical Characteristics

### 35.14.1 Digital Interface Timing Characteristics

Test Conditions:  $T_{\text{OP}} = 25\text{ }^{\circ}\text{C}$ ,  $V_{\text{DD}} = 3.0\text{V}$ ,  $C_{\text{L}} = 50\text{ pF}$  (unless otherwise stated)



| Symbol              | Parameter               | Condition  | Min. | Typ. | Max. | Units |
|---------------------|-------------------------|--|------|------|------|-------|
| t <sub>12</sub>     | AES core cycle time     |  |      | 24   |      | μs    |
| t <sub>IRQ</sub>    | Interrupt event latency | Relative to the event on the RF pins to be indicated (e.g. TRX24_RX_END interrupt) |      | 9    |      | μs    |
| t <sub>BATMON</sub> | Battery monitor latency |  |      | 2    |      | μs    |

## 35.14.2 General RF Specifications

Test Conditions (unless otherwise stated):

V<sub>DD</sub> = 3.0V, f<sub>RF</sub> = 2.45 GHz, T<sub>OP</sub> = 25°C, Measurement setup see [Figure 32-1 on page 538](#).

| Symbol               | Parameter                             | Condition  | Min.                                    | Typ.                       | Max.                                    | Units                        |
|----------------------|---------------------------------------|--|---|----------------------------|---|------------------------------|
| f <sub>RF</sub>      | Frequency range                       | As specified in [1],[2]  | 2405                                    |                            | 2480                                    | MHz                          |
| f <sub>CH</sub>      | Channel spacing                       | As specified in [1],[2]  |   | 5                          |   | MHz                          |
| f <sub>HDR</sub>     | Header bit rate (SHR, PHR)            | As specified in [1],[2]  |   | 250                        |   | kb/s                         |
| f <sub>PSDU</sub>    | PSDU bit rate                         | As specified in [1],[2]<br>OQPSK_DATA_RATE = 1<br>OQPSK_DATA_RATE = 2<br>OQPSK_DATA_RATE = 3 |   | 250<br>500<br>1000<br>2000 |   | kb/s<br>kb/s<br>kb/s<br>kb/s |
| f <sub>CHIP</sub>    | Chip rate                             | As specified in [1],[2]  |   | 2000                       |   | kchip/s                      |
| f <sub>CLK</sub>     | Crystal oscillator frequency          | Reference frequency oscillator   |   | 16                         |   | MHz                          |
| f <sub>CLK_ACC</sub> | Required reference frequency accuracy | PSDU bit rate<br>250 kb/s<br>500 kb/s<br>1000 kb/s<br>2000 kb/s                              | -60 <sup>(1)</sup><br>-40<br>-40<br>-30 |                            | +60 <sup>(1)</sup><br>+40<br>+40<br>+30 | ppm<br>ppm<br>ppm<br>ppm     |
| t <sub>XTAL</sub>    | Reference oscillator settling time    | Leaving SLEEP state to crystal clock available   |   | 215                        | 1000                                    | μs                           |
| B <sub>20dB</sub>    | 20 dB bandwidth                       |  |   | 2.8                        |   | MHz                          |

Note: 1. A reference frequency accuracy of ±40 ppm is required by [1], [2].

## 35.14.3 Transmitter Characteristics

Test Conditions (unless otherwise stated):

V<sub>DD</sub> = 3.0V, f<sub>RF</sub> = 2.45 GHz, T<sub>OP</sub> = 25°C, Measurement setup see [Figure 32-1 on page 538](#).

| Symbol             | Parameter              | Condition   | Min. | Typ. | Max. | Units |
|--------------------|------------------------|---|------|------|------|-------|
| P <sub>TX</sub>    | TX Output power        | Maximum configurable TX output power value<br>Register bit TX_PWR = 0 | 0    | +3.5 | +6   | dBm   |
| P <sub>RANGE</sub> | Output power range     | 16 steps, configurable in register PHY_TX_PWR                         |      | 20   |      | dB    |
| P <sub>ACC</sub>   | Output power tolerance |   |      |      | ±3   | dB    |
|                    | TX Return loss         | 100+j0 Ω differential impedance, P <sub>TX</sub> = +3.5 dBm           |      | 10   |      | dB    |
|                    | EVM                    |   |      | 8    |      | %rms  |

| Symbol            | Parameter                | Condition            | Min. | Typ. | Max. | Units |
|-------------------|--------------------------|----------------------|------|------|------|-------|
| P <sub>HARM</sub> | Harmonics                |                      |      |      |      |       |
|                   | 2 <sup>nd</sup> harmonic |                      |      | -38  |      | dBm   |
|                   | 3 <sup>rd</sup> harmonic |                      |      | -45  |      | dBm   |
| P <sub>SPUR</sub> | Spurious Emissions       | Complies with        |      |      |      |       |
|                   | 30 – ≤ 1000 MHz          | EN 300 328/440,      |      | -36  |      | dBm   |
|                   | >1 – 12.75 GHz           | FCC-CFR-47 part 15,  |      | -30  |      | dBm   |
|                   | 1.8 – 1.9 GHz            | ARIB STD-66, RSS-210 |      | -47  |      | dBm   |
|                   | 5.15 – 5.3 GHz           |                      |      | -47  |      | dBm   |

### 35.14.4 Receiver Characteristics

Test Conditions (unless otherwise stated):

V<sub>DD</sub> = 3.0V, f<sub>RF</sub> = 2.45 GHz, T<sub>OP</sub> = 25°C, PSDU bit rate = 250 kb/s, Measurement setup see [Figure 32-1 on page 538](#).

| Symbol                | Parameter                               | Condition   | Min.                | Typ. | Max. | Units |
|-----------------------|---|---|---------------------|------|------|-------|
| P <sub>SENS</sub>     | Receiver sensitivity                    | AWGN channel, PER ≤ 1%,<br>PSDU length 20 octets                                      |                     | -100 |      | dBm   |
|                       | 250 kb/s                                |   |                     | -96  |      | dBm   |
|                       | 500 kb/s                                | High Data Rate Modes:   |                     | -94  |      | dBm   |
|                       | 1000 kb/s                               | PSDU length 20 octets   |                     | -86  |      | dBm   |
|                       | 2000 kb/s                               |   |                     |      |      |       |
|                       | Antenna Diversity                       | 250 kb/s, PSDU 20 octets  |                     | -99  |      | dBm   |
| RL                    | Return loss                             | 100+j0 Ω differential impedance   |                     | 10   |      | dB    |
| NF                    | Noise figure                            |   |                     | 6    |      | dB    |
| P <sub>RXMAX</sub>    | Maximum RX input level                  | PER ≤ 1%, PSDU length of 20 octets  |                     | 10   |      | dBm   |
| P <sub>ACRN</sub>     | Adjacent channel rejection:<br>-5 MHz   | PER ≤ 1%, PSDU length of 20 octets,<br>P <sub>RF</sub> = -82 dBm                      |                     | 34   |      | dB    |
| P <sub>ACRP</sub>     | Adjacent channel rejection:<br>+5 MHz   | PER ≤ 1%, PSDU length of 20 octets,<br>P <sub>RF</sub> = -82 dBm                      |                     | 38   |      | dB    |
| P <sub>AACRN</sub>    | Alternate channel rejection:<br>-10 MHz | PER ≤ 1%, PSDU length of 20 octets,<br>P <sub>RF</sub> = -82 dBm                      |                     | 54   |      | dB    |
| P <sub>AACRP</sub>    | Alternate channel rejection:<br>+10 MHz | PER ≤ 1%, PSDU length of 20 octets,<br>P <sub>RF</sub> = -82 dBm                      |                     | 54   |      | dB    |
| P <sub>SPUR</sub>     | Spurious emissions:                     |   |                     | -71  |      | dBm   |
|                       | LO leakage                              |   |                     |      | -57  | dBm   |
|                       | >1 – 12.75 GHz                          |   |                     |      | -47  | dBm   |
| f <sub>RXTXOFFS</sub> | TX/RX carrier frequency offset          | Sensitivity loss < 2 dB   | -300 <sup>(1)</sup> |      | +300 | kHz   |
| IIP3                  | 3 <sup>rd</sup> – order intercept point | At maximum gain<br>Offset freq. interf. 1 = 5 MHz<br>Offset freq. interf. 2 = 10 MHz  |                     | -14  |      | dBm   |
| IIP2                  | 2 <sup>nd</sup> – order intercept point | At maximum gain<br>Offset freq. interf. 1 = 60 MHz<br>Offset freq. interf. 2 = 62 MHz |                     | 17   |      | dBm   |
|                       | RSSI tolerance                          | Tolerance within gain step  |                     |      | ±5   | dB    |
|                       | RSSI dynamic range                      |   |                     | 81   |      | dB    |

| Symbol | Parameter          | Condition   | Min. | Typ. | Max. | Units |
|--------|--------------------|---|------|------|------|-------|
|        | RSSI resolution    |   |      | 3    |      | dB    |
|        | RSSI sensitivity   | Defined as RSSI_BASE_VAL                          |      | -90  |      | dBm   |
|        | Minimum RSSI value | $P_{RF} \leq \text{RSSI\_BASE\_VAL}$              |      | 0    |      |       |
|        | Maximum RSSI value | $P_{RF} > \text{RSSI\_BASE\_VAL} + 81 \text{ dB}$ |      | 28   |      |       |

Note: 1. Offset equals  $\pm 120$  ppm

### 35.14.5 Current Consumption Specifications

Test Conditions (unless otherwise stated):

$V_{DD} = 3.0\text{V}$ ,  $f_{RF} = 2.45 \text{ GHz}$ ,  $T_{OP} = 25^\circ\text{C}$ , Measurement setup see [Figure 32-1 on page 538](#). (Power Reduction Register PRR0 and PRR1 are not set).

| Symbol                   | Parameter   | Condition  | Min. | Typ. | Max. | Units         |
|--------------------------|---|--|------|------|------|---------------|
| I <sub>BUSY_TX</sub>     | Supply current transmit state                                   | $P_{TX} = 3.5 \text{ dBm}$   |      | 14.5 |      | mA            |
|                          |   | $P_{TX} = 1.5 \text{ dBm}$   |      | 10   |      | mA            |
|                          |   | $P_{TX} = -2.5 \text{ dBm}$  |      | 9    |      | mA            |
|                          |   | $P_{TX} = -16.5 \text{ dBm}$<br>(current consumption is reduced at $V_{DD} = 1.8\text{V}$ for each output power level) |      | 8    |      | mA            |
| I <sub>RX_ON_RPC</sub>   | Supply current RX_ON state<br>RPC mode enabled <sup>(2)</sup>   | RX_ON state, with register setting<br>$\text{RX\_PDT\_LEVEL} < 8^{(1)}$  |      | 6    |      | mA            |
| I <sub>RX_ON_P_RPC</sub> |   | RX_ON state, with register setting<br>$\text{RX\_PDT\_LEVEL} > 8^{(1)}$  |      | 5    |      | mA            |
| I <sub>RX_ON_RPC</sub>   | Supply current PLL_ON state<br>RPC mode enabled <sup>(2)</sup>  |  |      | 0.45 |      | mA            |
| I <sub>RX_ON</sub>       | Supply current RX_ON state<br>RPC mode disabled <sup>(2)</sup>  | RX_ON state  |      | 12.5 |      | mA            |
| I <sub>RX_ON_P</sub>     |   | RX_ON state, with register setting<br>$\text{RX\_PDT\_LEVEL} > 0^{(1)}$  |      | 12.0 |      | mA            |
| I <sub>PLL_ON</sub>      | Supply current PLL_ON state<br>RPC mode disabled <sup>(2)</sup> |  |      | 5.7  |      | mA            |
| I <sub>TRX_OFF</sub>     | Supply current TRX_OFF state                                    | TRX_OFF state  |      | 0.4  |      | mA            |
| I <sub>SLEEP</sub>       | Supply current SLEEP state                                      | SLEEP state  |      | 0.02 |      | $\mu\text{A}$ |

Note: 1. Refer to section "[RX\\_SYN – Transceiver Receiver Sensitivity Control Register](#)" on [page 131](#).  
2. Refer to section "[Reduced Power Consumption Mode \(RPC\)](#)" on [page 104](#).

### 35.14.6 16MHz Crystal Oscillator and Crystal Parameter Requirements

| Symbol | Parameter          | Condition  | Min. | Typ. | Max. | Units    |
|--------|--------------------|--|------|------|------|----------|
| $f_0$  | Crystal frequency  | For accuracy see " <a href="#">General RF Specifications</a> " on <a href="#">page 561</a> |      | 16   |      | MHz      |
| $C_L$  | Load capacitance   |  | 8    |      | 14   | pF       |
| $C_0$  | Static capacitance |  |      |      | 7    | pF       |
| $R_1$  | Series resistance  |  |      |      | 100  | $\Omega$ |

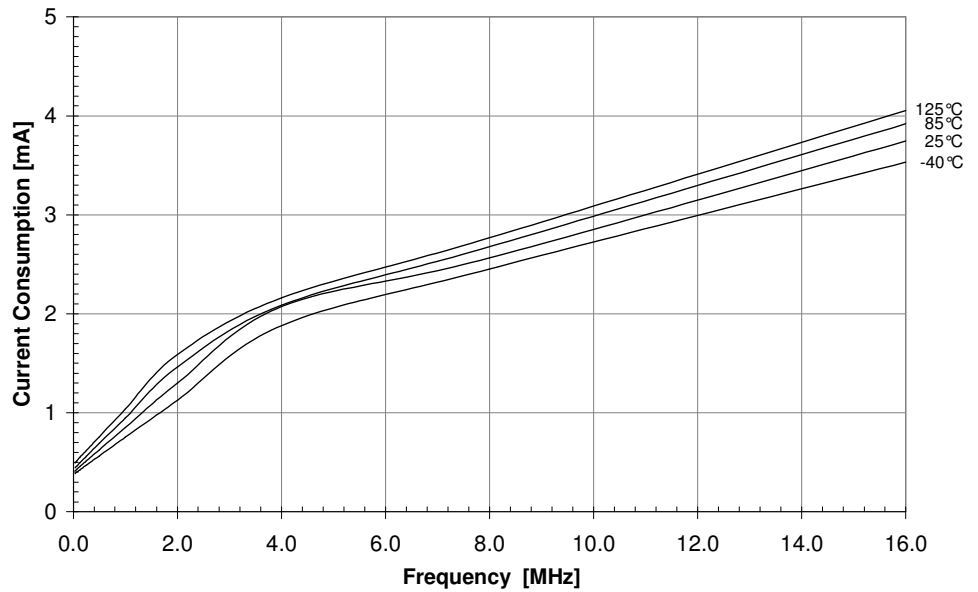
| Symbol        | Parameter                      | Condition                             | Min. | Typ. | Max. | Units |
|---------------|--------------------------------|---------------------------------------|------|------|------|-------|
| $t_{XTALOFF}$ | 16MHz XTAL oscillator off-time | Minimum sleep time of the transceiver | 1.0  |      |      | ms    |

## 36 Typical Characteristics

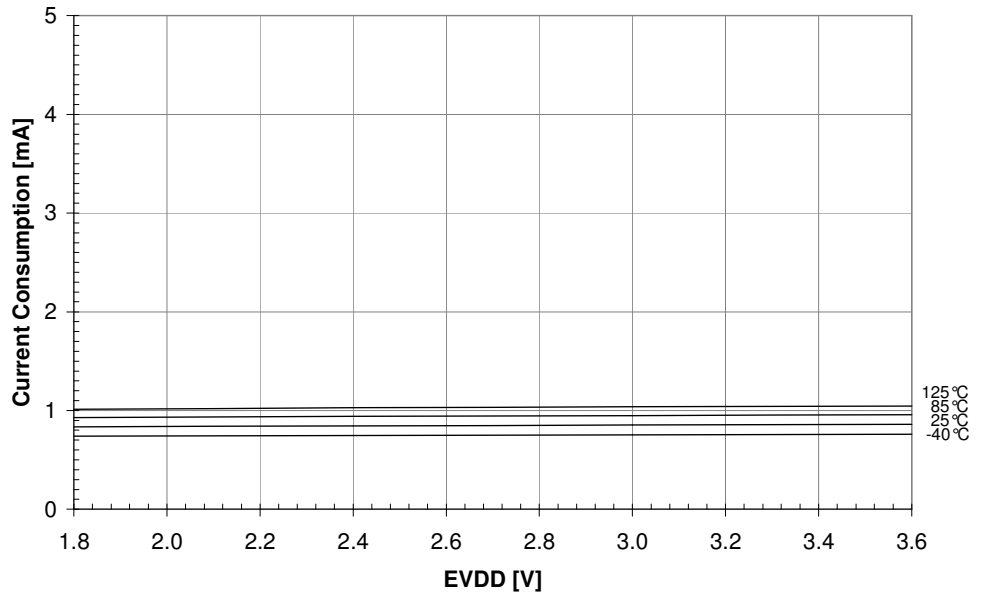
### 36.1 Supply Current vs. Clock Speed with Transceiver in SLEEP

#### 36.1.1 Clock source 16MHz RC Oscillator

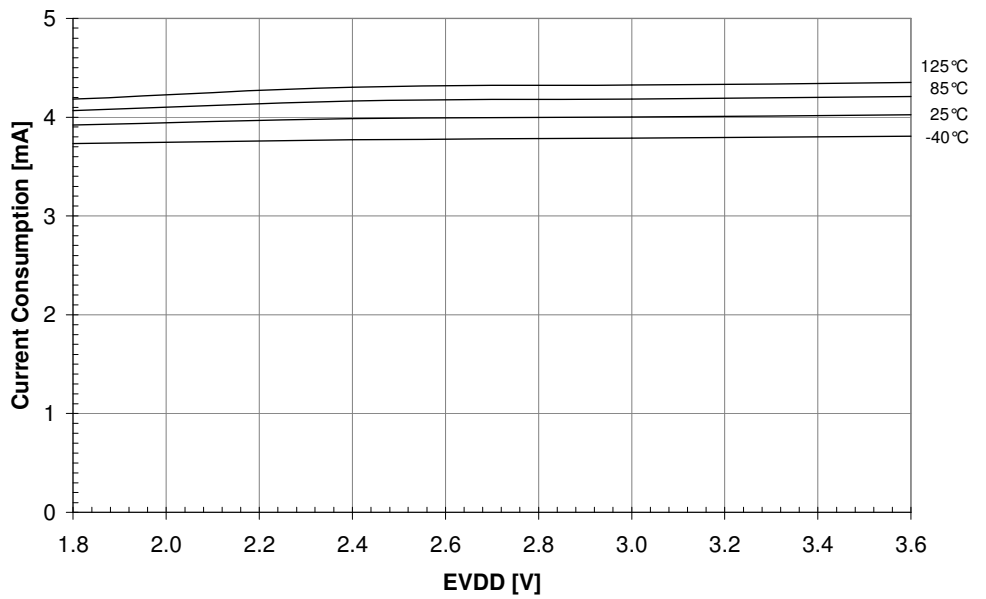
Figure 36-5. Active Supply Current vs. Frequency ( $V_{DD} = 3.0V$ , PRR0/1 = 0xFF/0x3F)



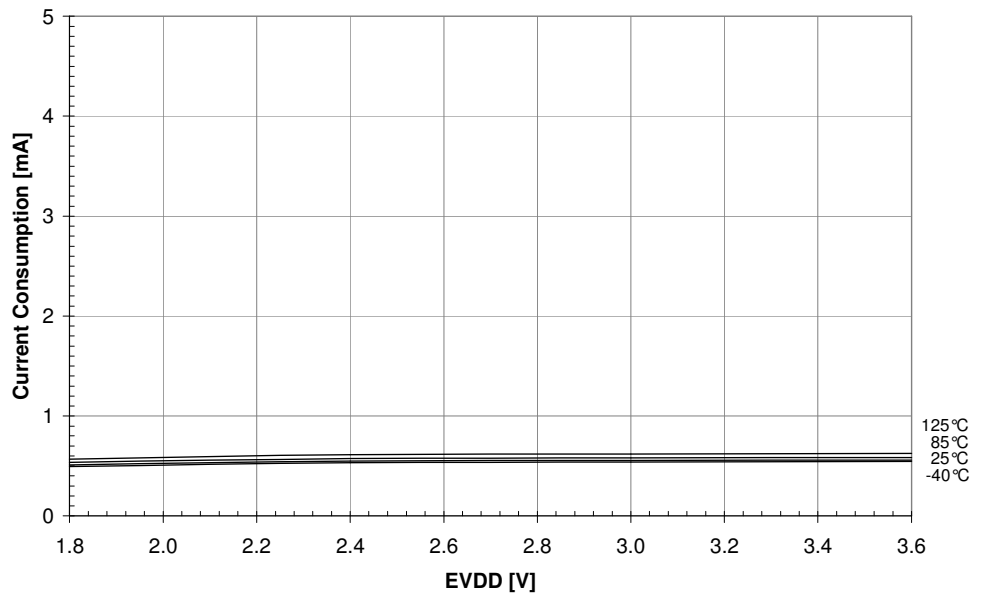
**Figure 36-6.** Active Supply Current vs.  $V_{DD}$  ( $f_{CLK}=1\text{MHz}$ ,  $\text{PRR0/1} = 0\text{xFF}/0\text{x3F}$ )



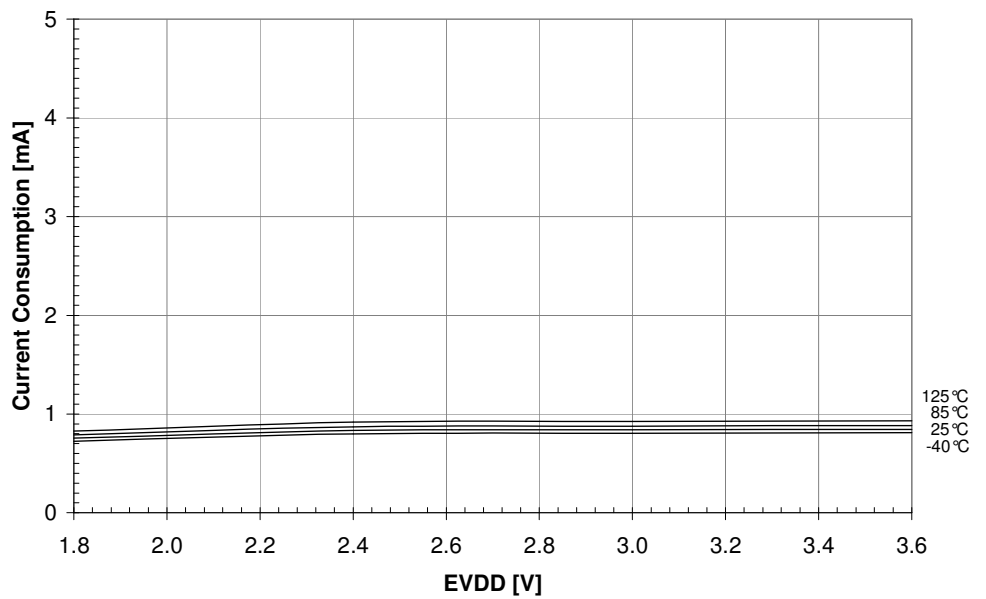
**Figure 36-7.** Active Supply Current vs.  $V_{DD}$  ( $f_{CLK} = 16\text{MHz}$ ,  $\text{PRR0/1} = 0\text{x00}/0\text{x00}$ )



**Figure 36-8.** Idle Supply Current vs.  $V_{DD}$  ( $f_{CLK} = 1\text{MHz}$ ;  $\text{PRR0/1} = 0\text{xFF/0x3F}$ )



**Figure 36-9.** Idle Supply Current vs.  $V_{DD}$  ( $f_{CLK} = 8\text{MHz}$ ,  $\text{PRR0/1} = 0\text{xFF/0x3F}$ )



## 36.1.2 External clock source on pin CLKI

Figure 36-10. Active Supply Current vs. Frequency ( $V_{DD} = 3.0V$ , PRR0/1 = 0x00/0x00)

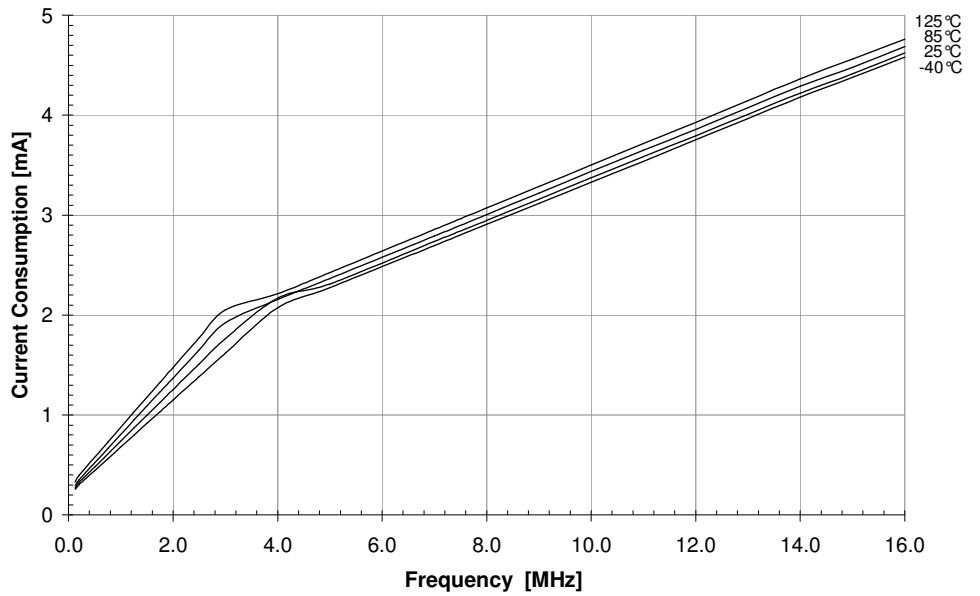
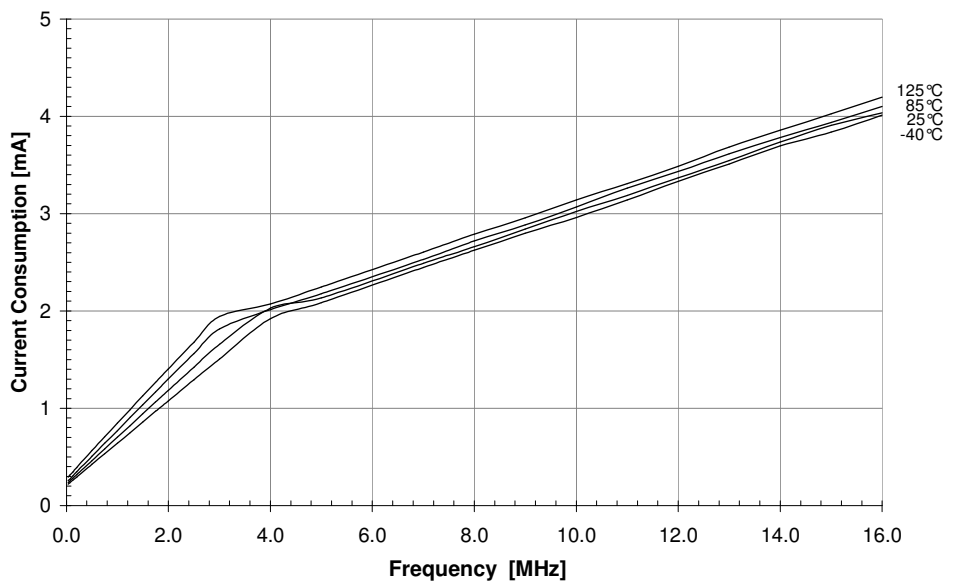
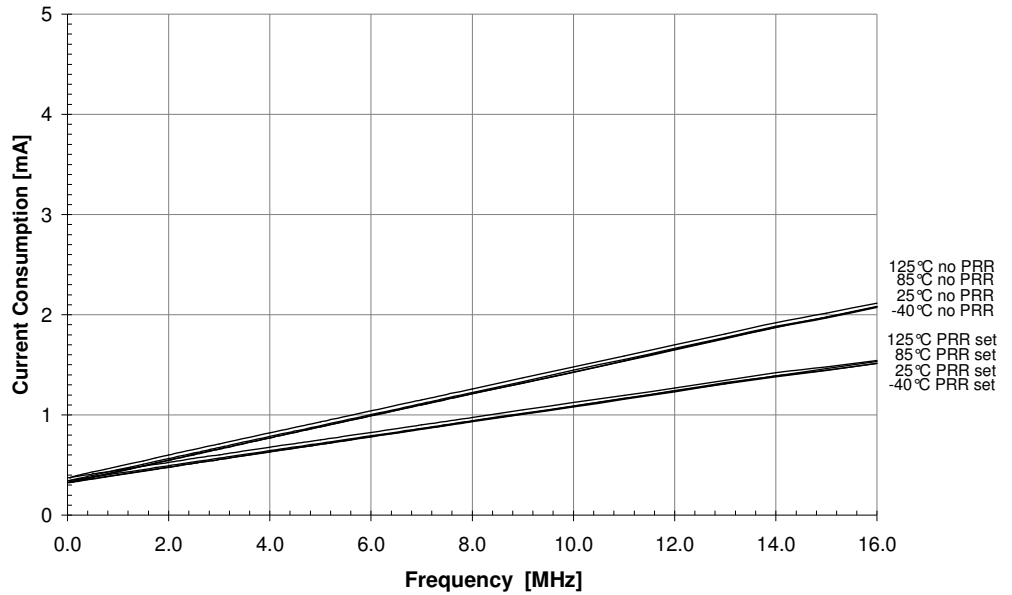


Figure 36-11. Active Supply Current vs. Frequency ( $V_{DD} = 3.0V$ , PRR0/1 = 0xFF/0x3F)



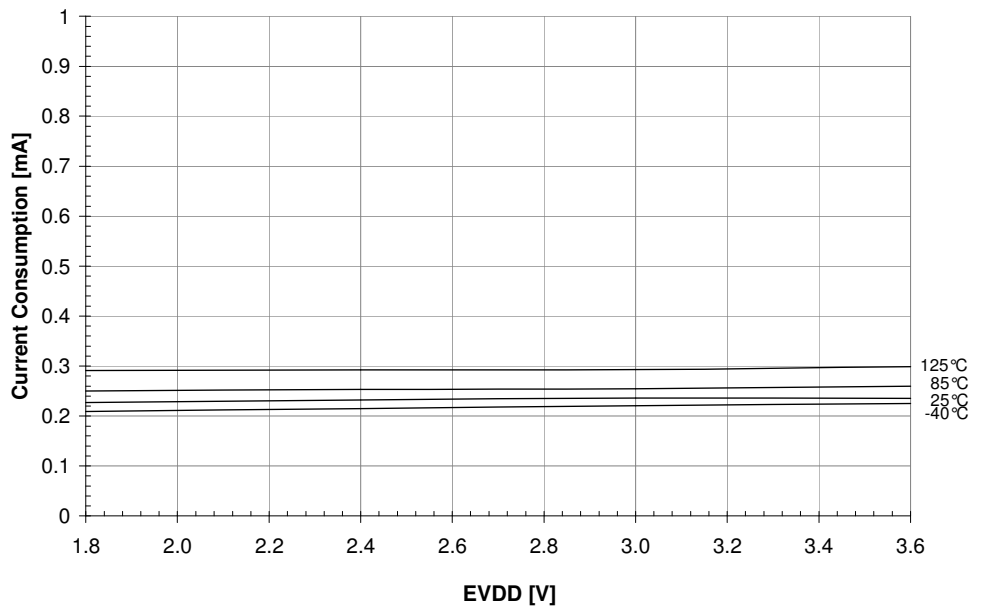
**Figure 36-12.** Idle Supply Current vs. Frequency ( $V_{DD} = 3.0V$ , PRR0/1 set and reset)



### 36.2 Current Consumption of Bandgap Source and Digital Voltage Regulator

The supply currents of band-gap reference source and digital voltage regulator are part of all supply current measurement. In DEEP\_SLEEP mode both units are disabled.

**Figure 36-13.** Combined Supply Current of Bandgap Source and Voltage Regulator

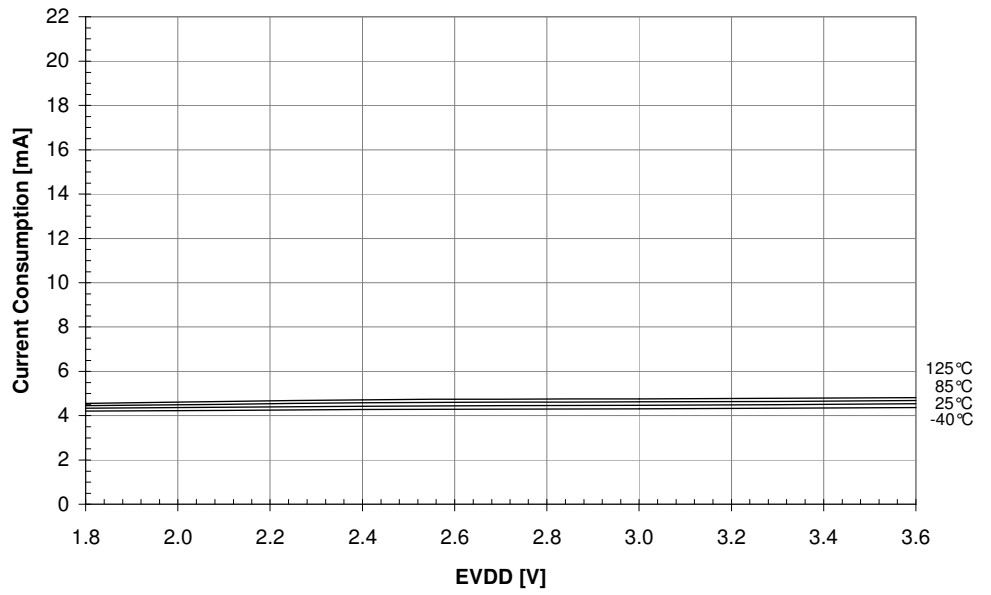


### 36.3 Current Consumption in various Transceiver States

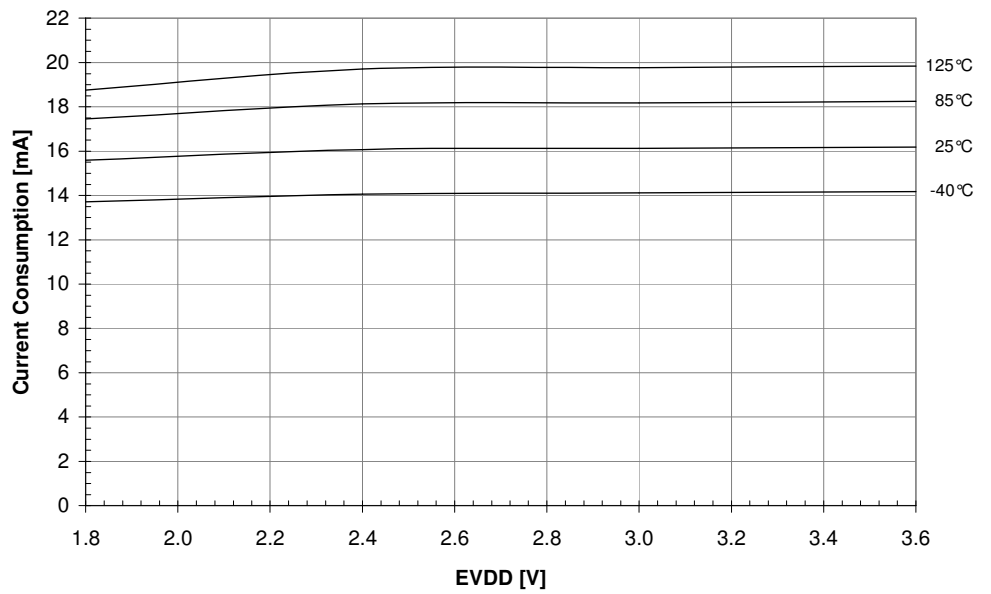
The AVR microcontroller is in Active state ( $clk_{CPU}=16MHz$ ) with no power reduction set by the register PRR0 and PRR1. The clock source of the microcontroller is the internal 16MHz RC Oscillator.



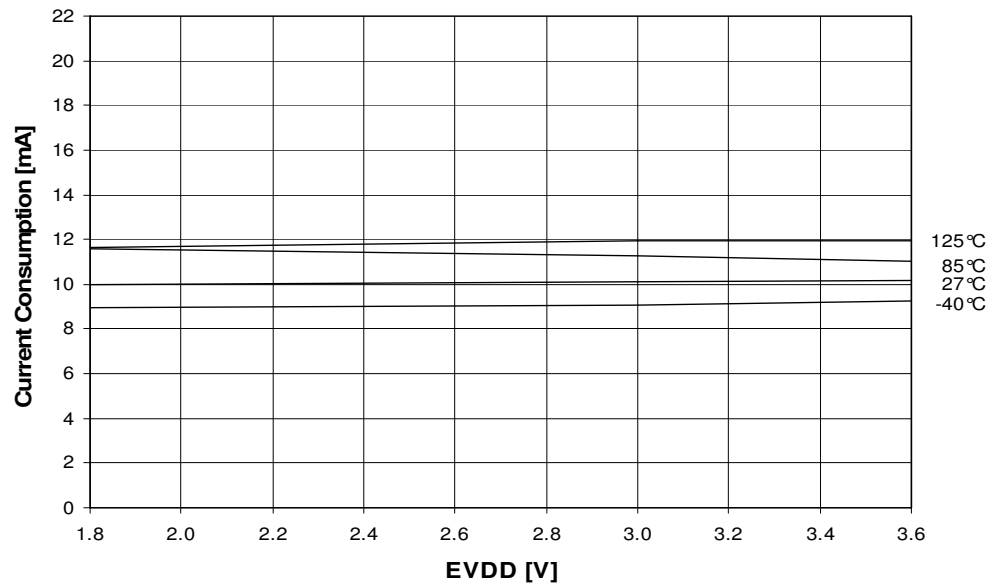
**Figure 36-14.** TRXOFF state supply current vs  $V_{DD}$



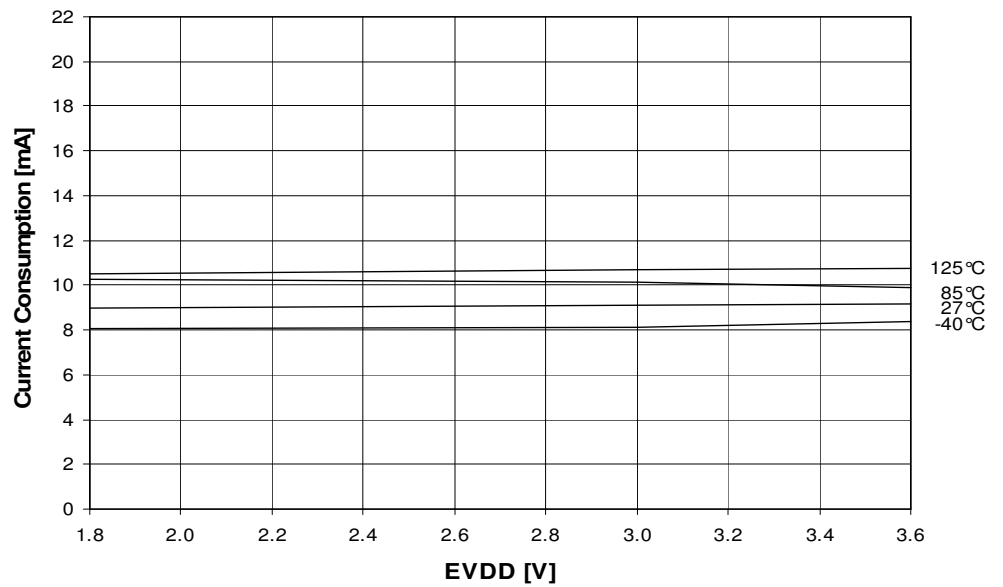
**Figure 36-15.** RX\_ON state supply current vs.  $V_{DD}$



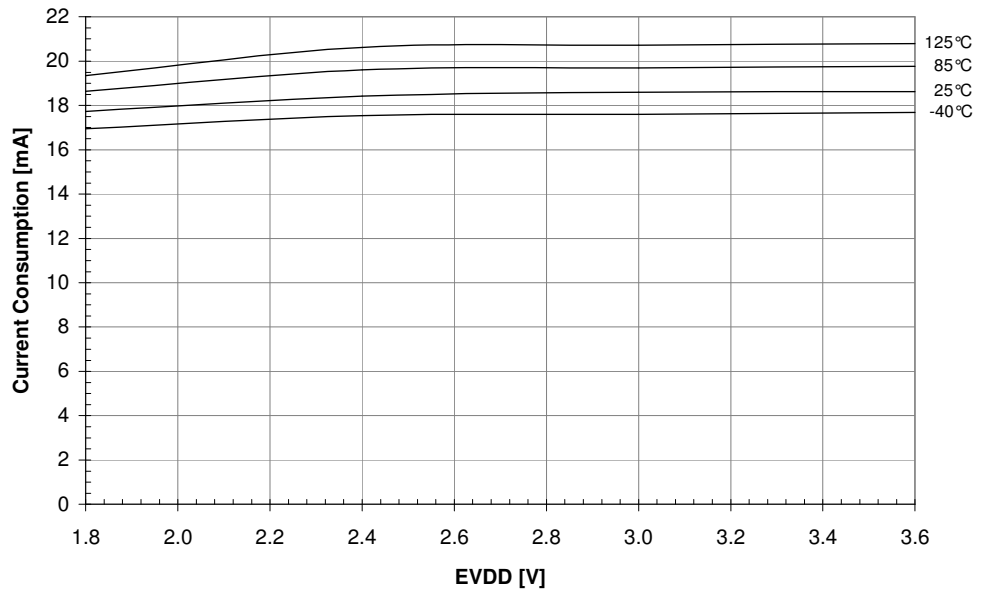
**Figure 36-16.** RX\_ON State Supply Current vs.  $V_{DD}$ , RPC Enabled



**Figure 36-17.** RX\_ON State Supply Current, RPC Enabled, RX\_PDT\_LEVEL = 15



**Figure 36-18.** TX Active state supply current vs.  $V_{DD}$  (maximum TX output power)

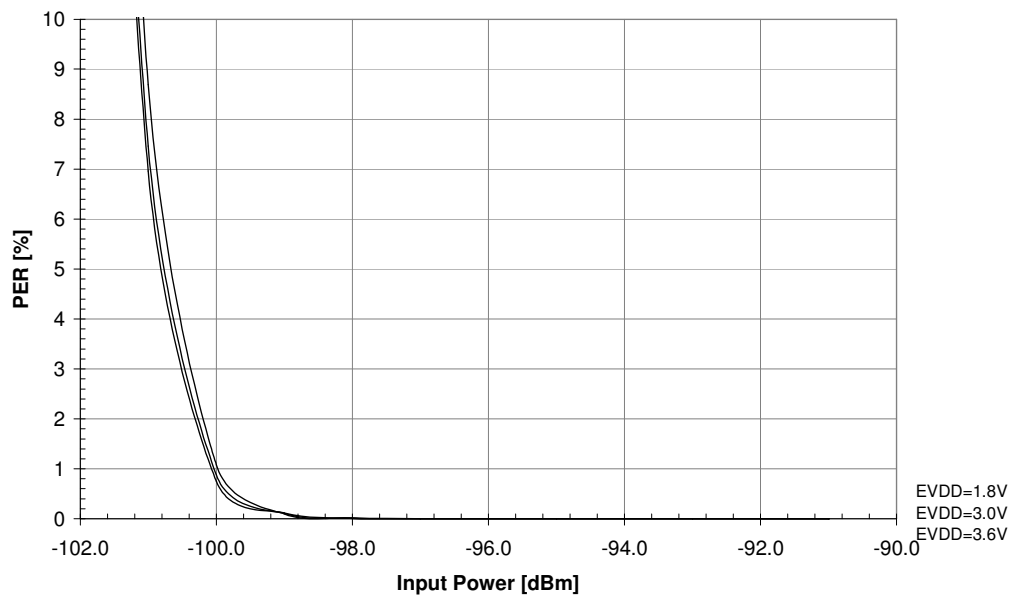


## 36.4 RF Measurements

For all RF power measurement results the calibration level is the differential RF input of the device. It enables an easy calculation for the different RF front-ends with external power amplifier and/or RF switches (diversity, RX/TX). The combined loss of Balun, strip-line and SMA connector on the Radio-Controller-Board is <1dB.

### 36.4.1 Packet Error Rate (PER)

**Figure 36-19.** PER vs. input power for 250kbit mode



## 36.4.2 Transmit Power

Figure 36-20. TX maximum output power

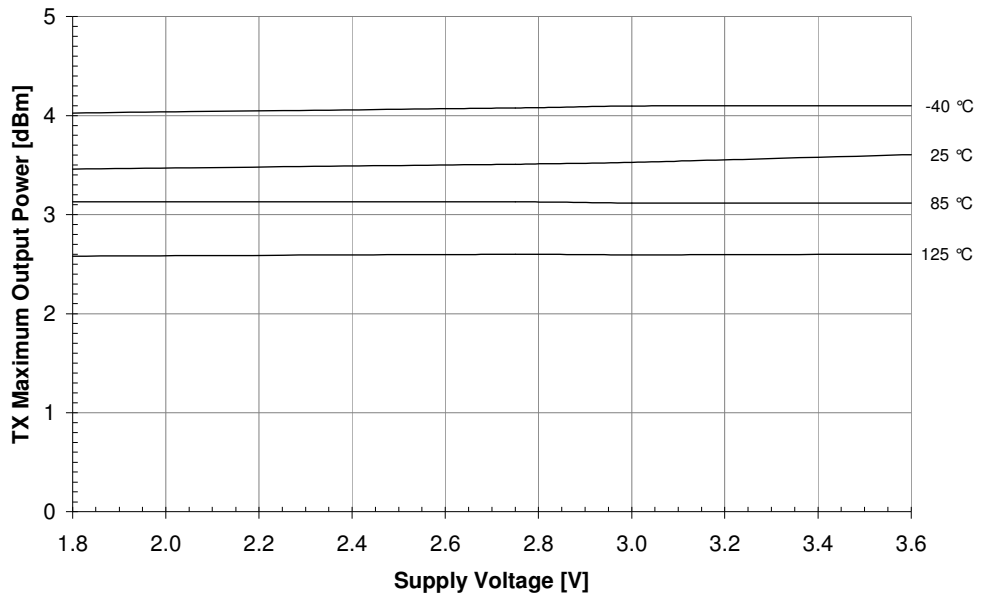
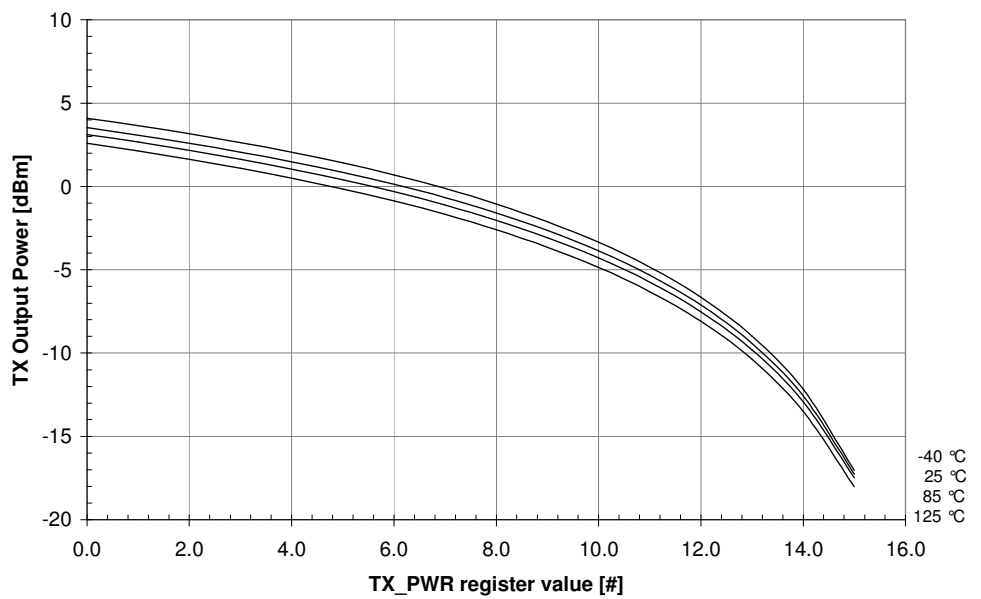
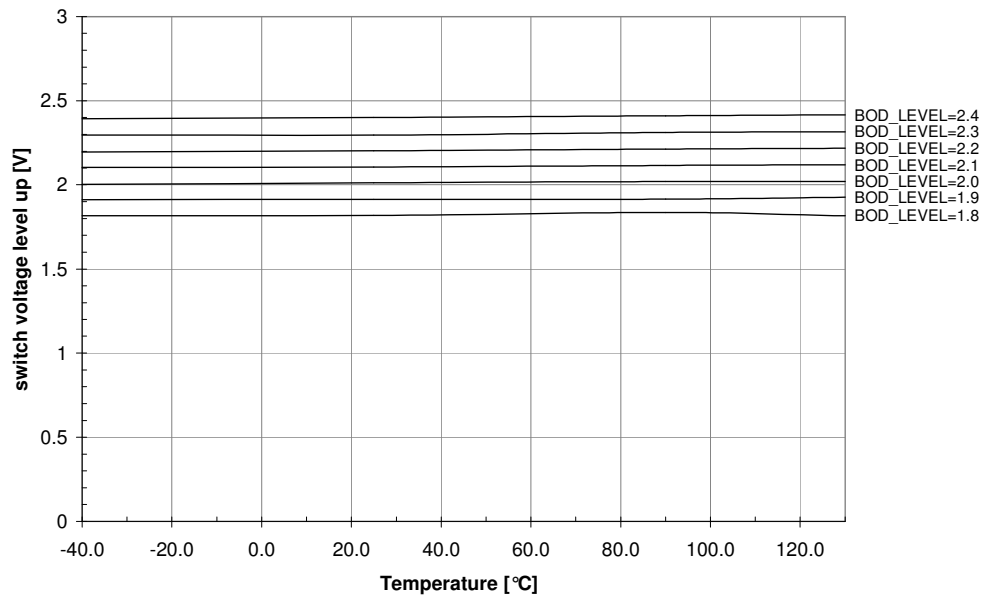


Figure 36-21. TX output power vs. TX\_PWR in register PHY\_TX\_PWR

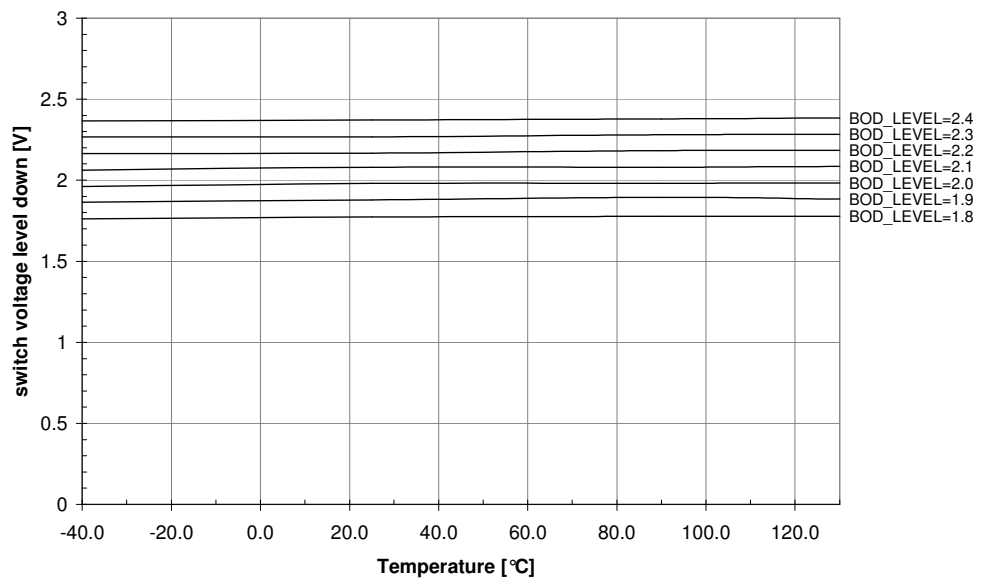


## 36.5 BOD Threshold

**Figure 36-22.** Brown-out Threshold vs. Temperature (Rising Supply Voltage)

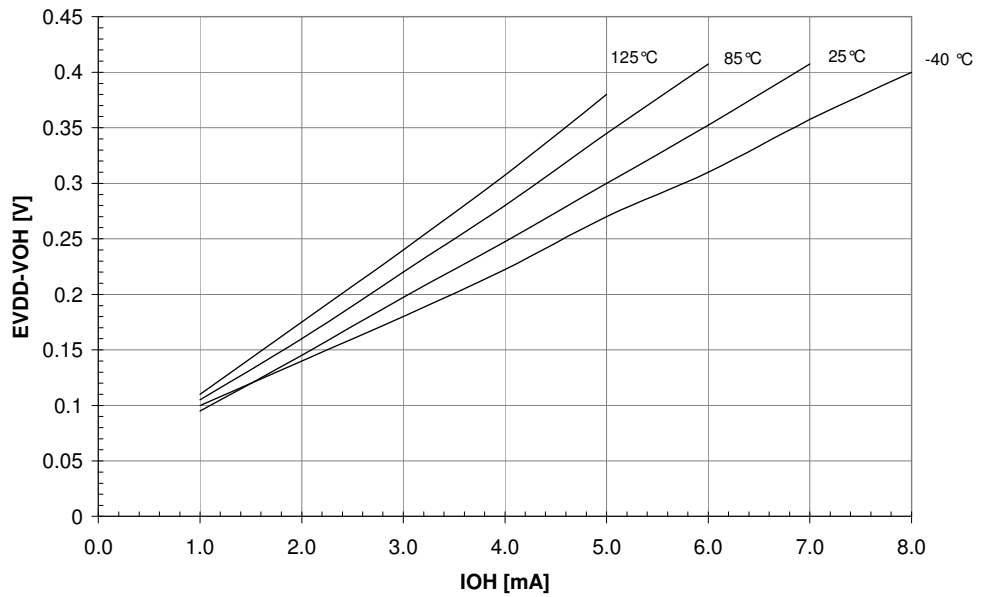


**Figure 36-23.** Brown-out Threshold vs. Temperature (Falling Supply Voltage)

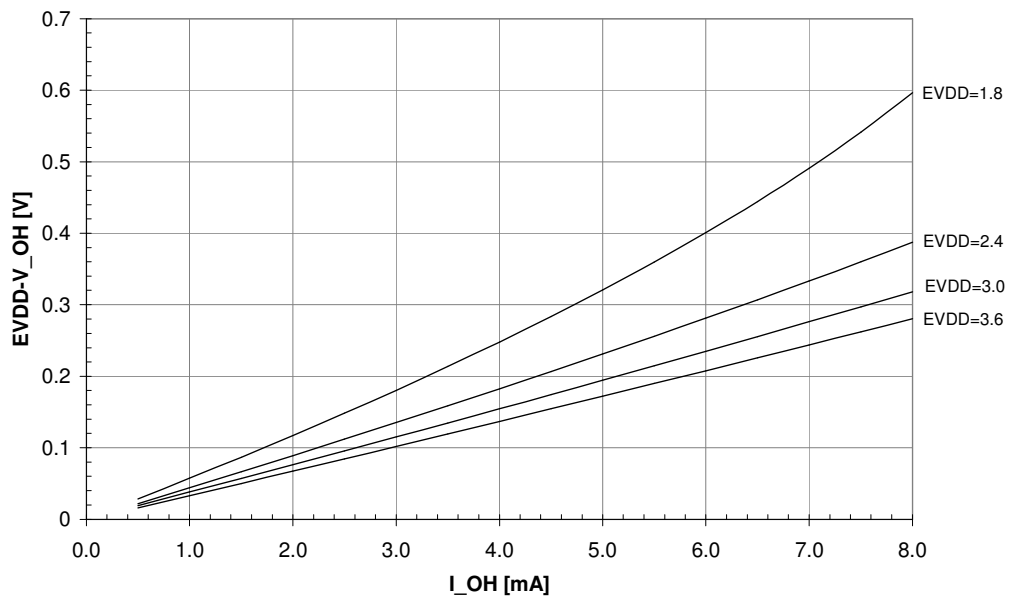


## 36.6 Pin Driver Strength

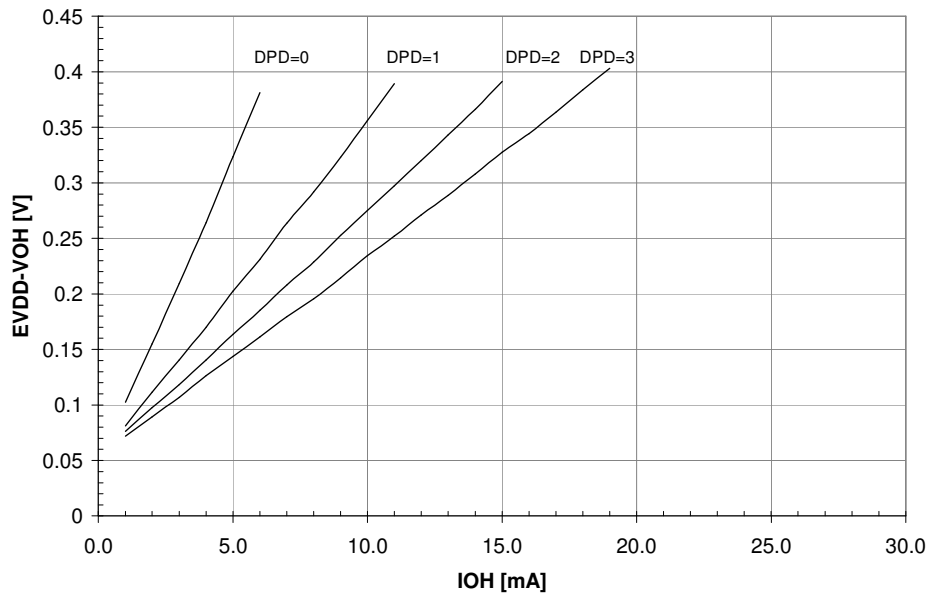
**Figure 36-24.** I/O Pin Output Voltage vs. Source Current ( $V_{DD} = 3.0V$ ,  $DPDS0=0$ )



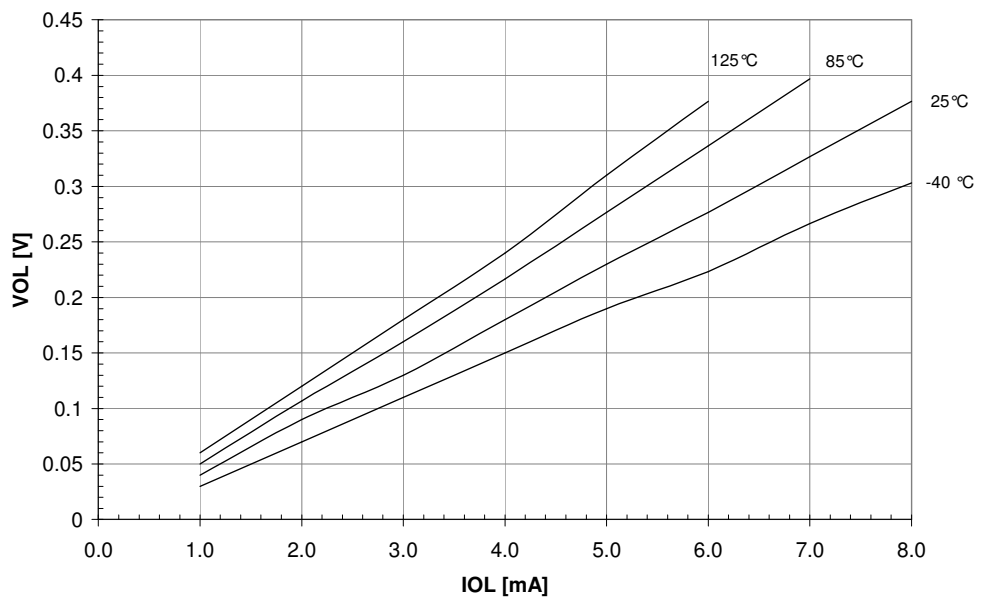
**Figure 36-25.** I/O Pin Output Voltage vs. Source Current (25°C,  $DPDS0=0$ )



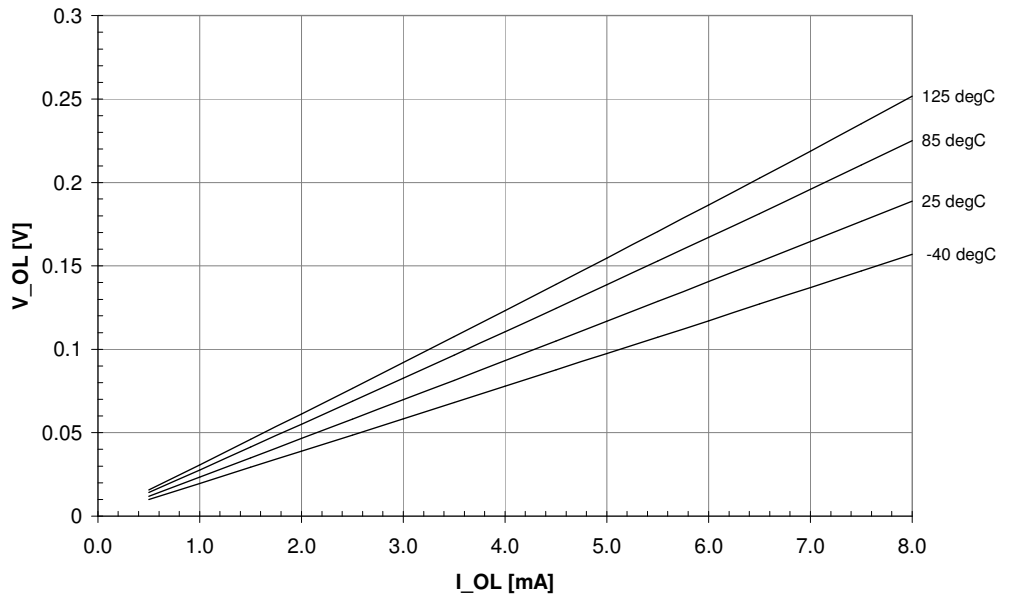
**Figure 36-26.** I/O Pin Output Voltage vs. Source Current (25°C,  $V_{DD} = 3.0V$ )



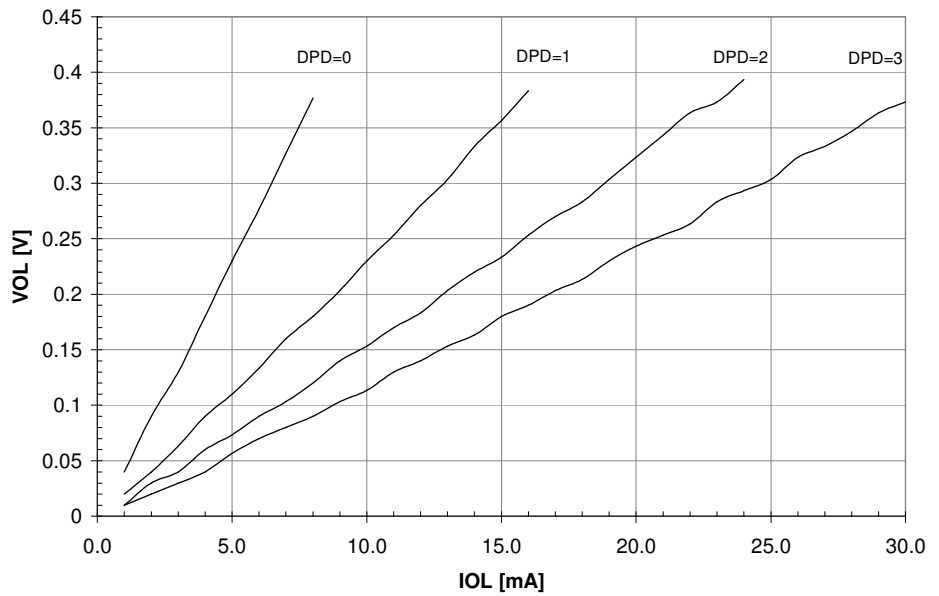
**Figure 36-27.** I/O Pin Output Voltage vs. Sink Current ( $V_{DD}=3.0V$ ,  $DPDS0 = 0$ )



**Figure 36-28.** I/O Pin Output Voltage vs. Sink Current (25°C, DPDS0=1)



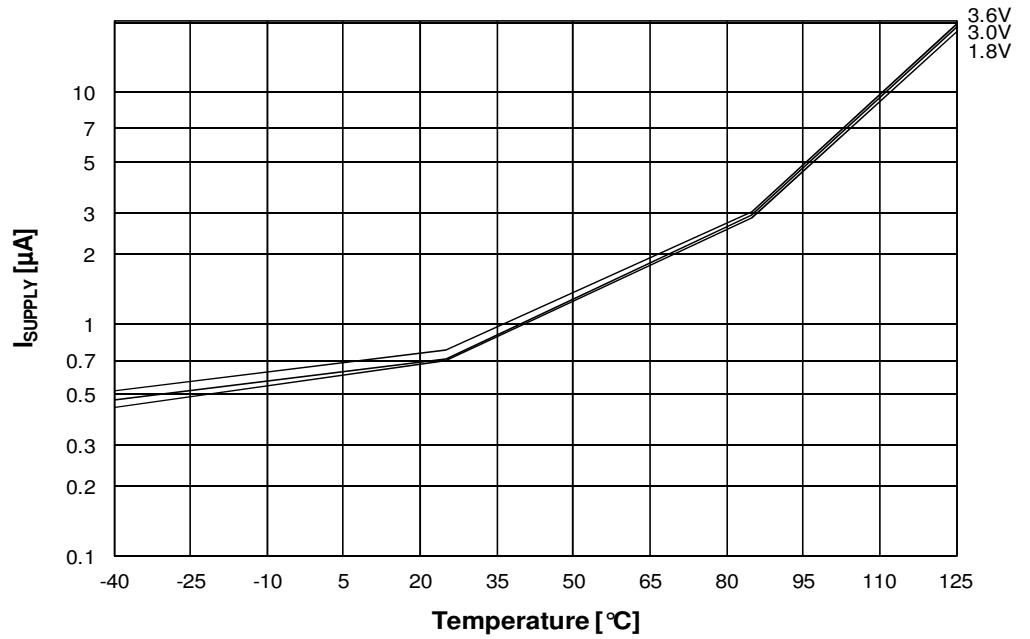
**Figure 36-29.** I/O Pin Output Voltage vs. Sink Current (25°C, V<sub>DD</sub> = 3.0V)



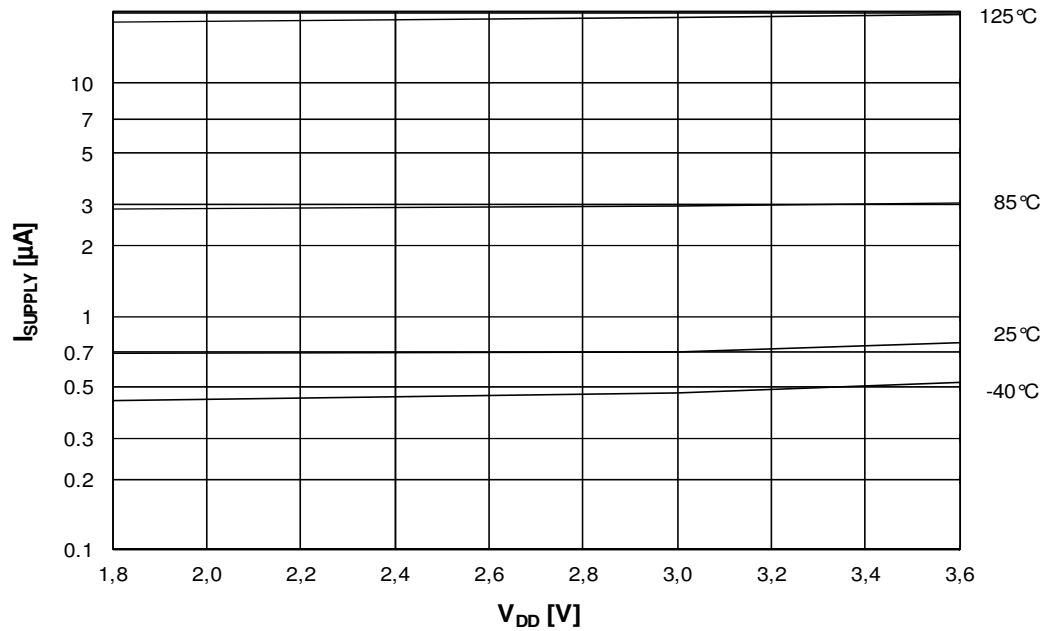


## 36.7 Power-Down Current

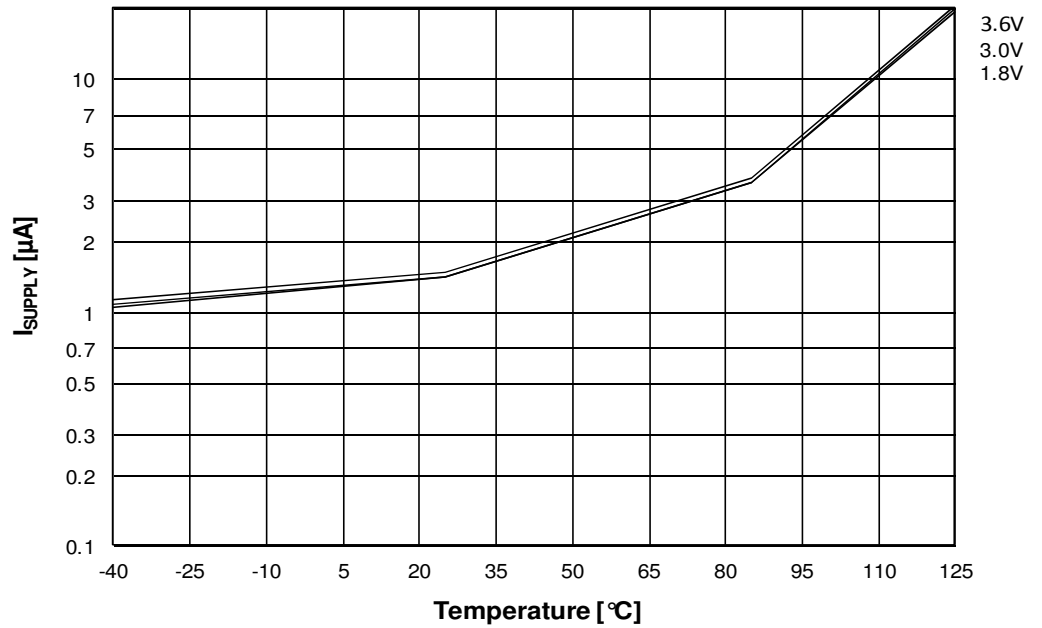
**Figure 36-30.** Power-Down Current vs. Temperature (Watchdog Disabled)



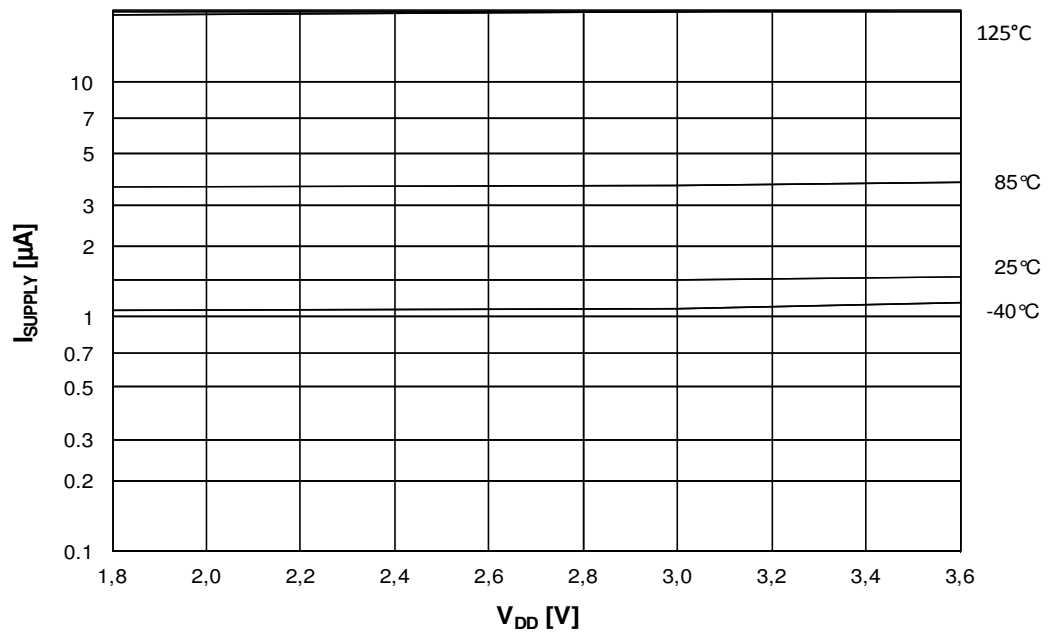
**Figure 36-31.** Power-Down Current vs. Supply Voltage (Watchdog Disabled)



**Figure 36-32. Power-Down Current vs. Temperature (Watchdog Enabled)**



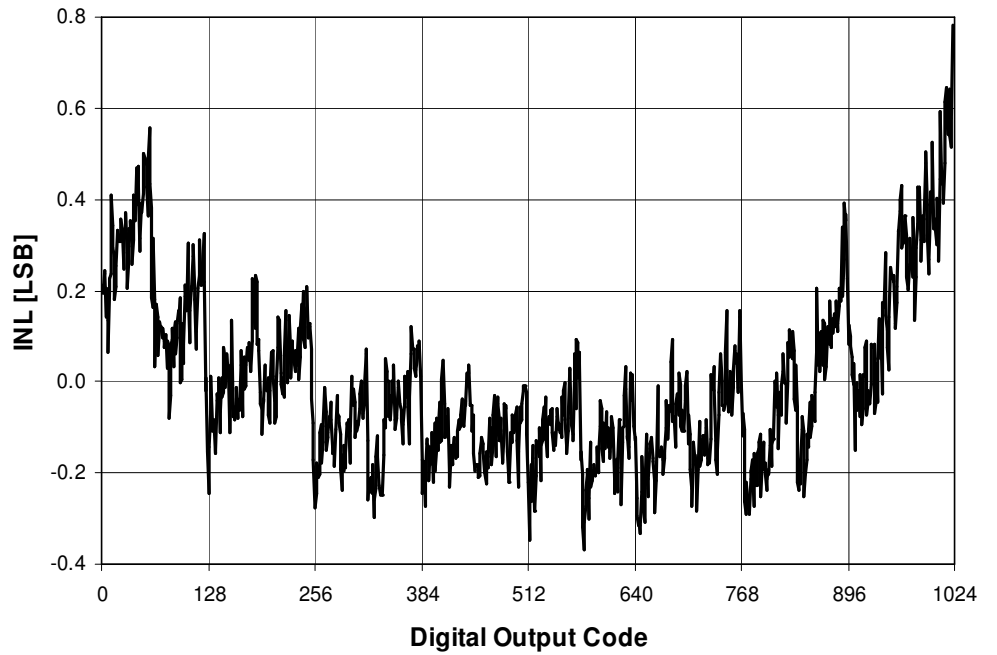
**Figure 36-33. Power-Down Current vs. Supply Voltage (Watchdog Enabled)**



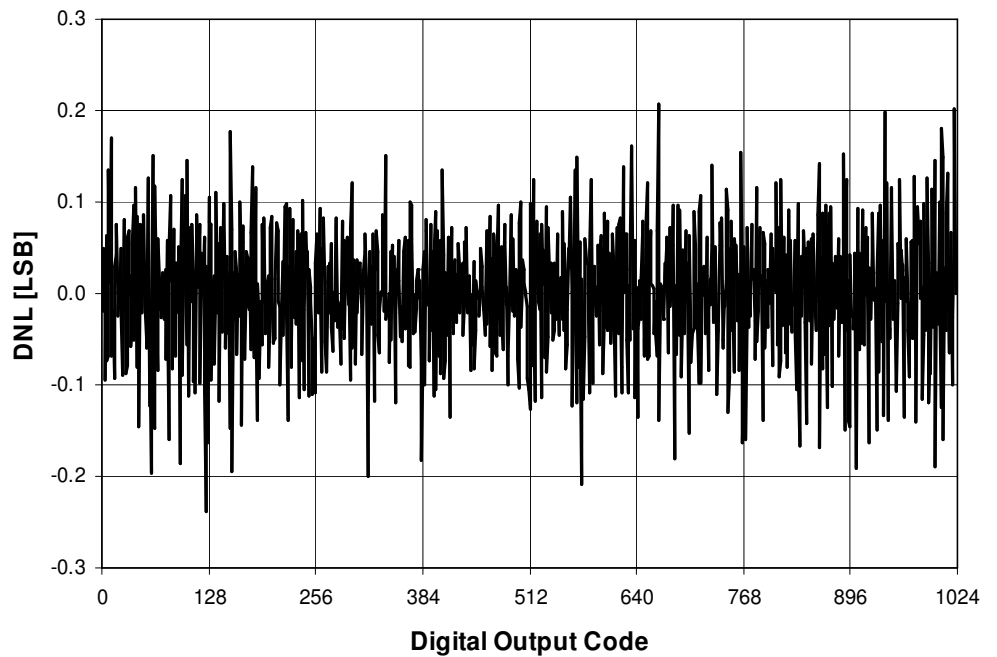
### 36.8 Static ADC Parameter – INL and DNL

All static parameter of the ADC have been obtained with  $f_{ADCLK} = 2 \text{ MHz}$ ,  $SUT = 10$ ,  $THT = 0$  and an internal reference voltage of 1.6V.

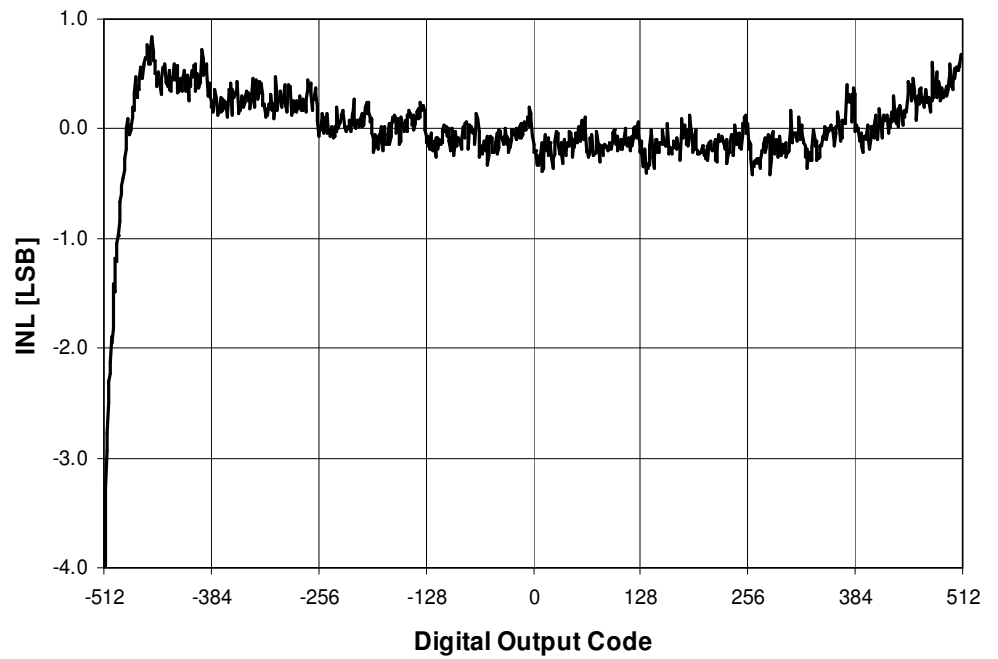
**Figure 36-34.** Integral Nonlinearity vs. Output Code (Single-Ended, 3.0V, 25°C)



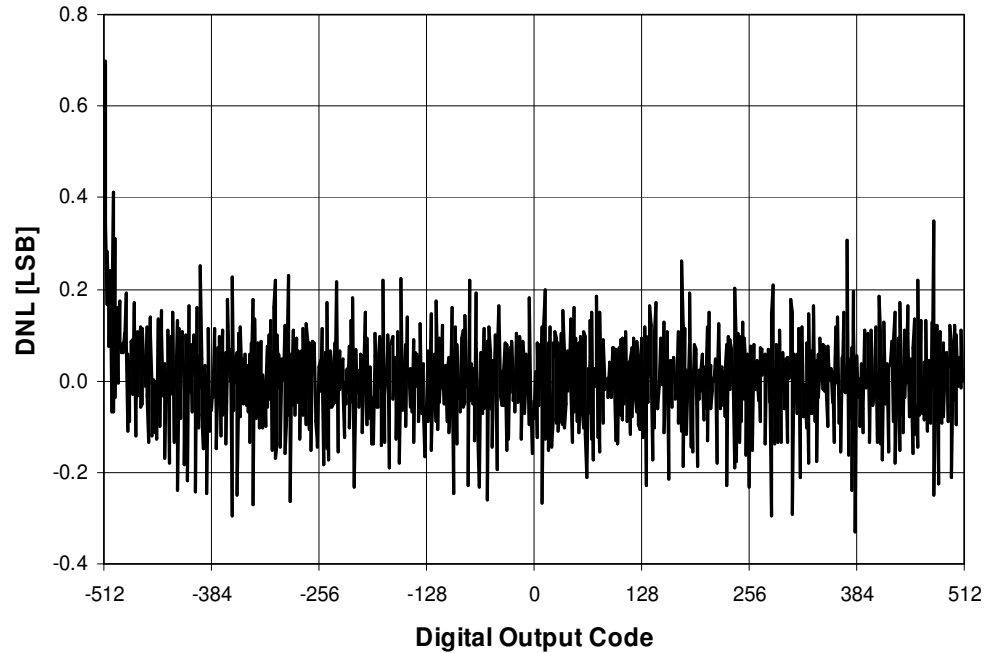
**Figure 36-35.** Differential Nonlinearity vs. Output Code (Single-Ended, 3.0V, 25°C)



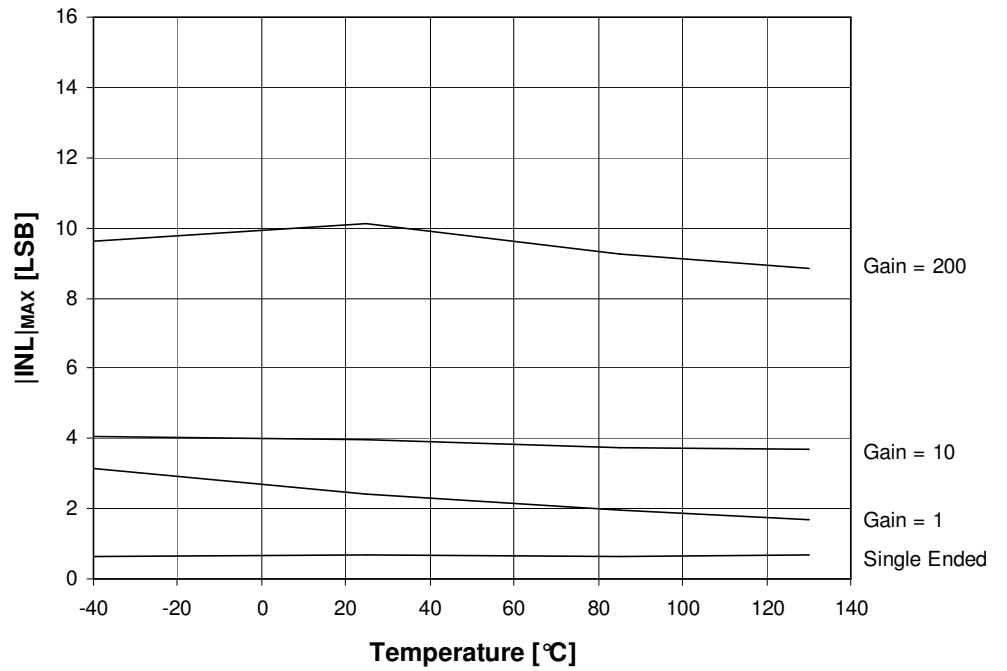
**Figure 36-36.** Integral Nonlinearity vs. Output Code (with PGA, Gain=10, 3.0V, 25°C)



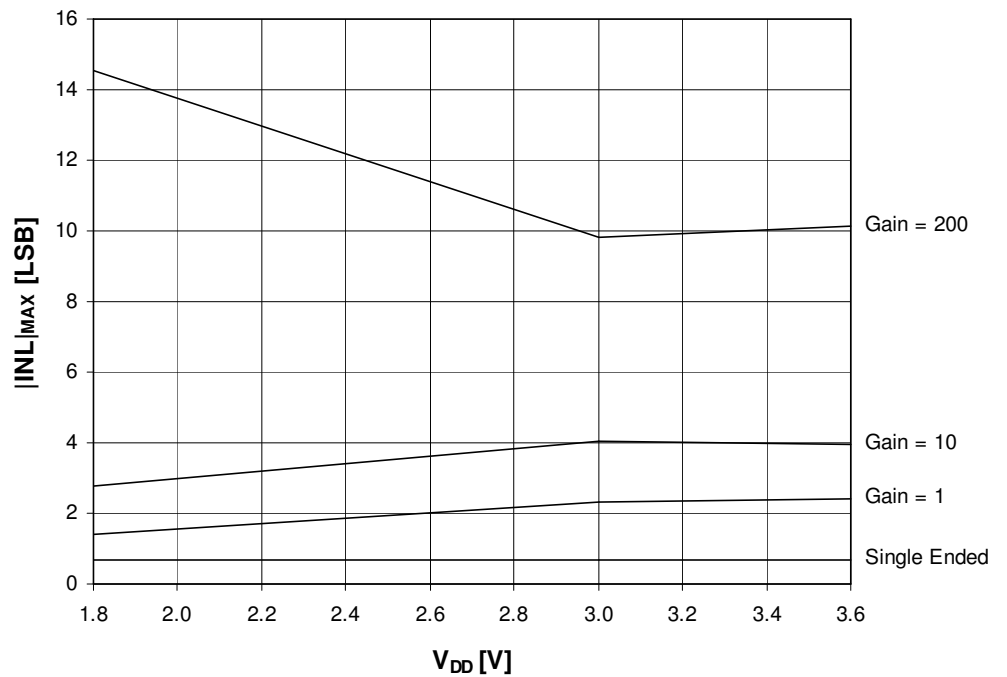
**Figure 36-37.** Differential Nonlinearity vs. Output Code (with PGA, Gain=10, 3.0V, 25°C)



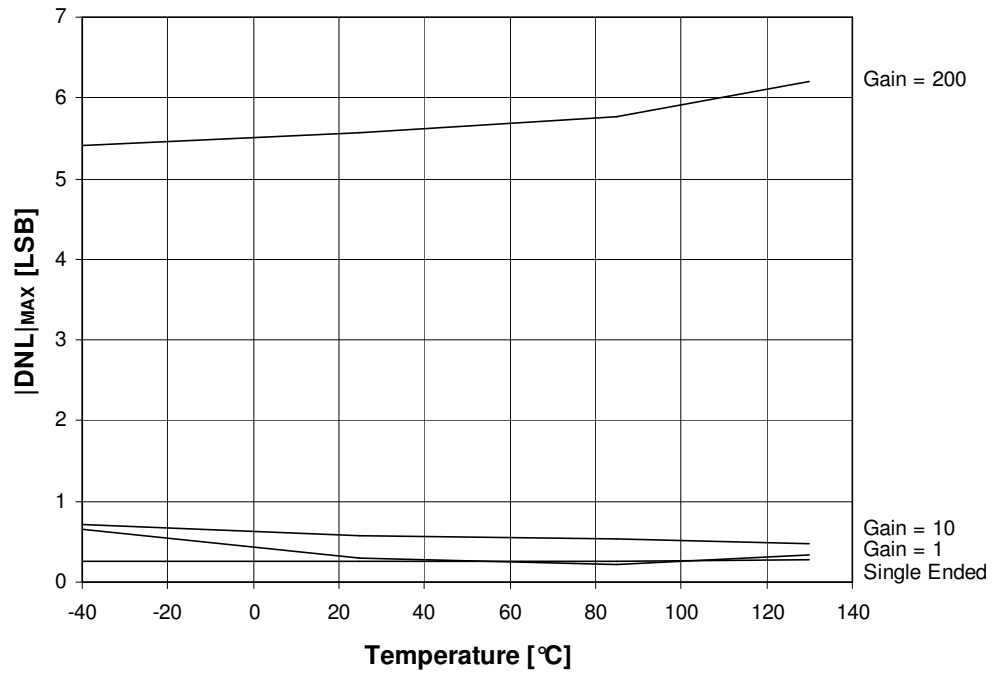
**Figure 36-38.** Integral Nonlinearity vs. Temperature at  $V_{DEVDD} = 3.6V$



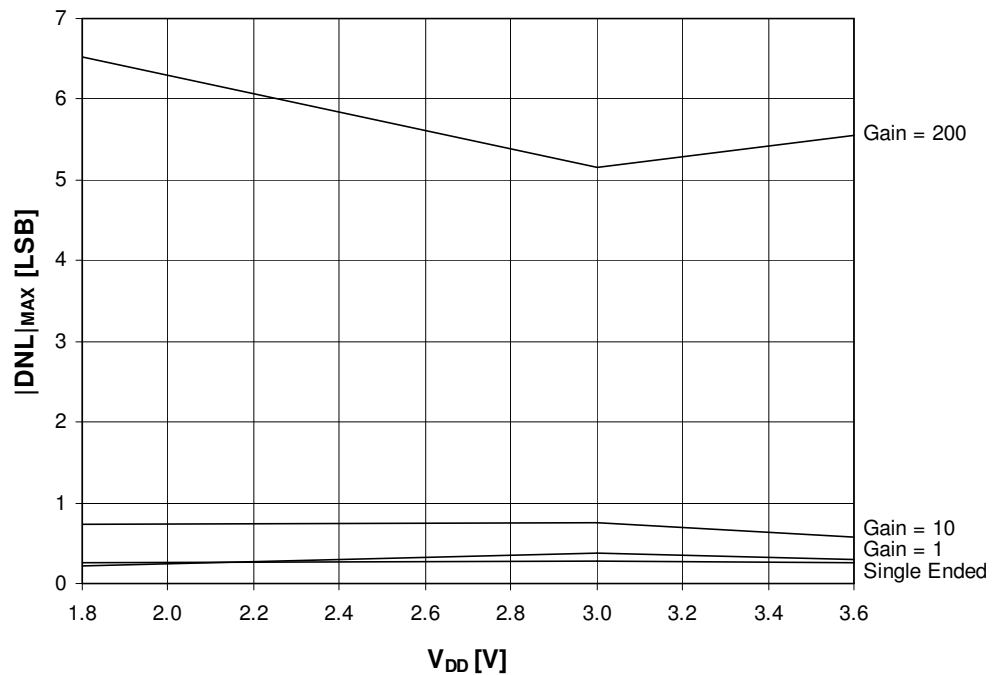
**Figure 36-39.** Integral Nonlinearity vs. Supply Voltage at 25°C



**Figure 36-40.** Differential Nonlinearity vs. Temperature at  $V_{EVDD} = 3.6V$



**Figure 36-41.** Differential Nonlinearity vs. Supply Voltage  $V_{EVDD}$  at 25°C

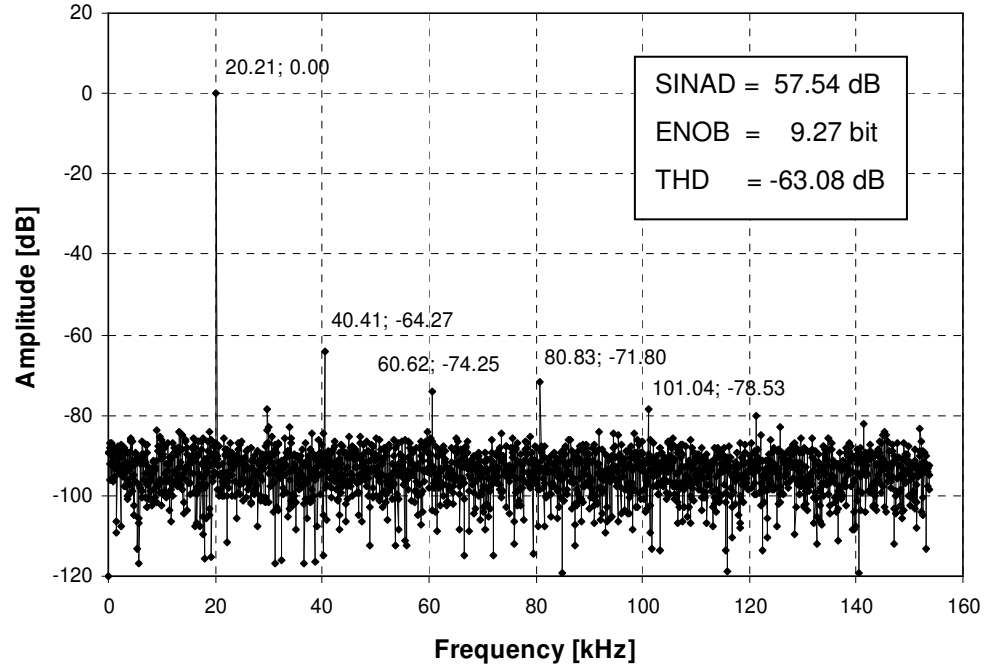


### 36.9 Dynamic ADC Parameter – ENOB

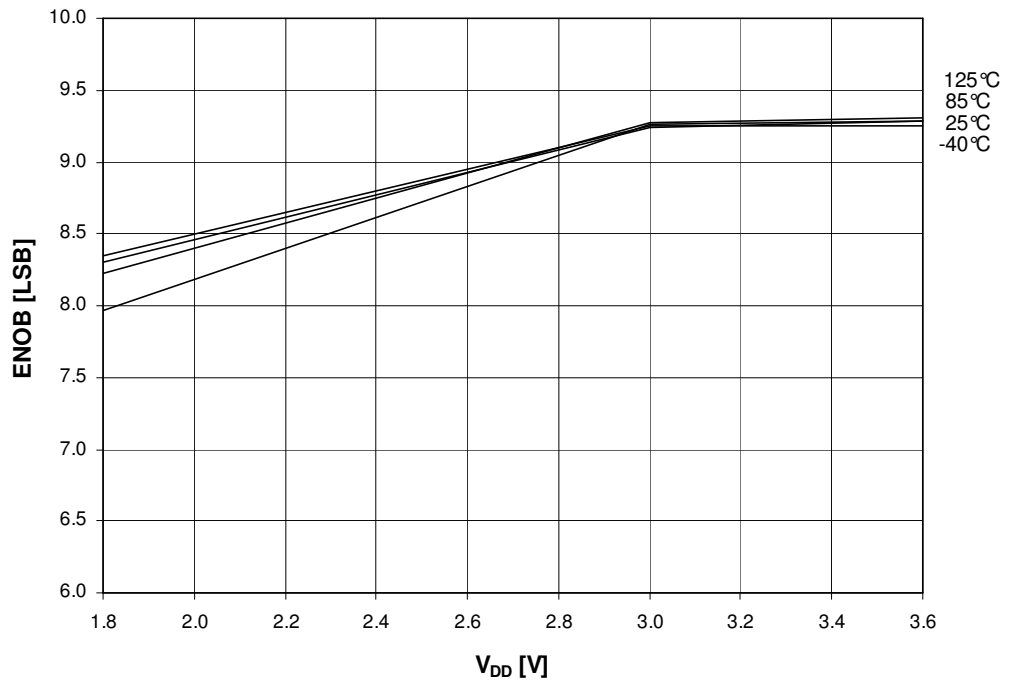
The dynamic ADC parameters for the single-ended channels have been measured with  $f_{ADCLK} = 4$  MHz,  $SUT = 20$ ,  $THT = 0$  and an internal reference voltage of 1.6V. The sine

wave of the input signal had a frequency of  $f_{IN,SIN} = 20.207$  kHz and peak-to-peak amplitude of  $V_{IN,PP} = 1.58V$ .

**Figure 36-42.** 2048 Point FFT Output for a Single-Ended ADC Channel (3.0V, 25 °C)

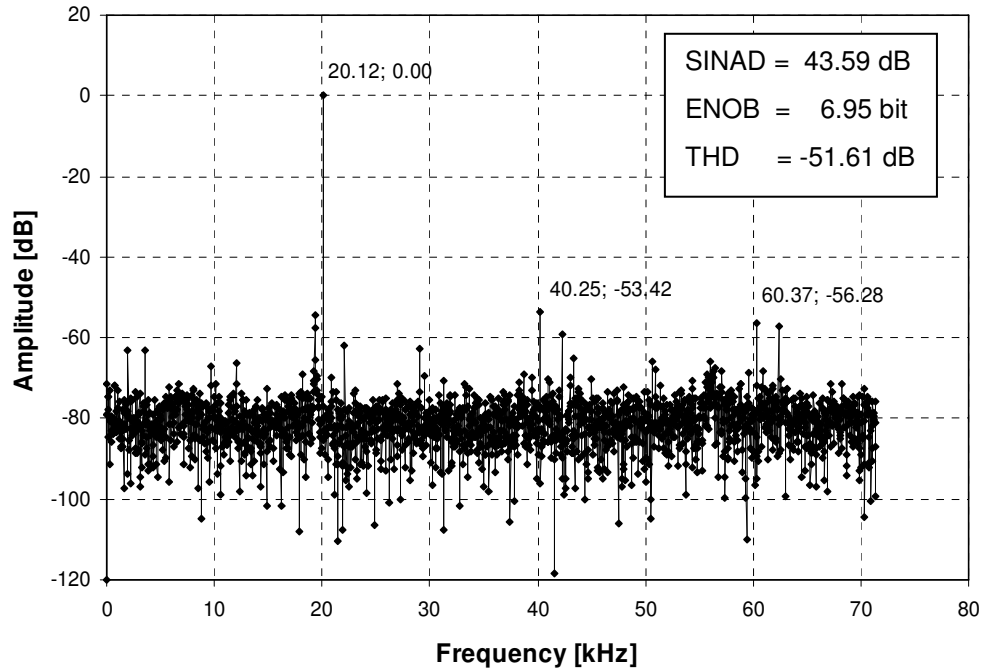


**Figure 36-43.** Effective Number of Bits vs. Supply Voltage for Single-Ended Channels

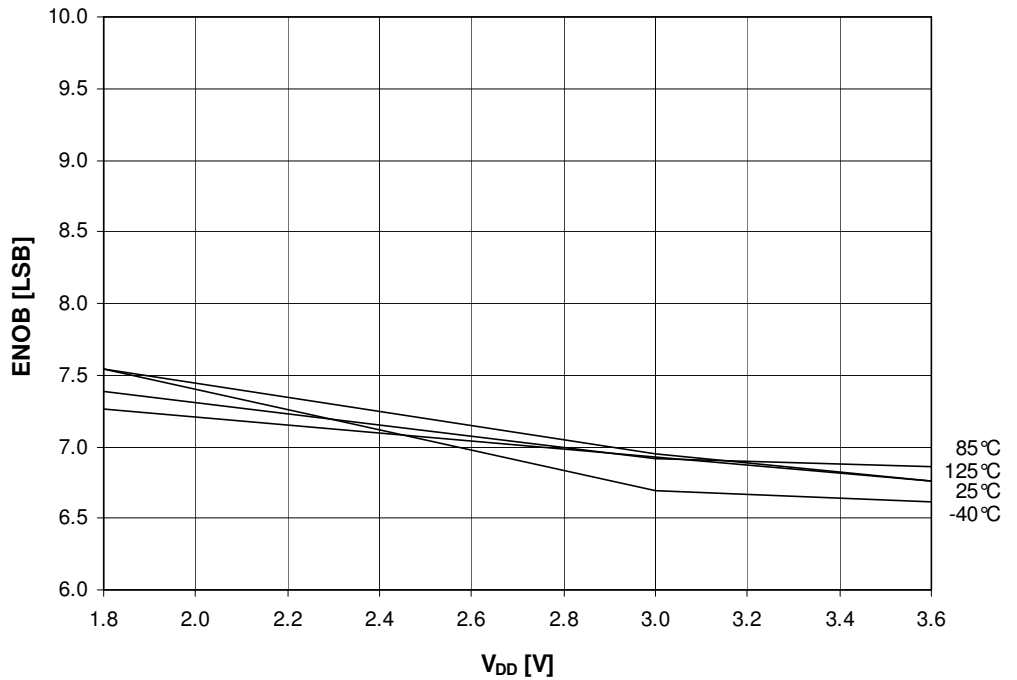


The dynamic ADC parameters for the differential channels with a gain of 10 have been measured with  $f_{ADCLK} = 2$  MHz,  $SUT = 10$ ,  $THT = 0$  and an internal reference voltage of 1.6V. The input sine wave had a frequency of  $f_{IN,SIN} = 20.124$  kHz and peak-to-peak amplitude of  $V_{IN,PP} = 0.31$  V.

**Figure 36-44.** 2048 Point FFT Output for a Gain=10 ADC Channel (3.0V, 25 °C)



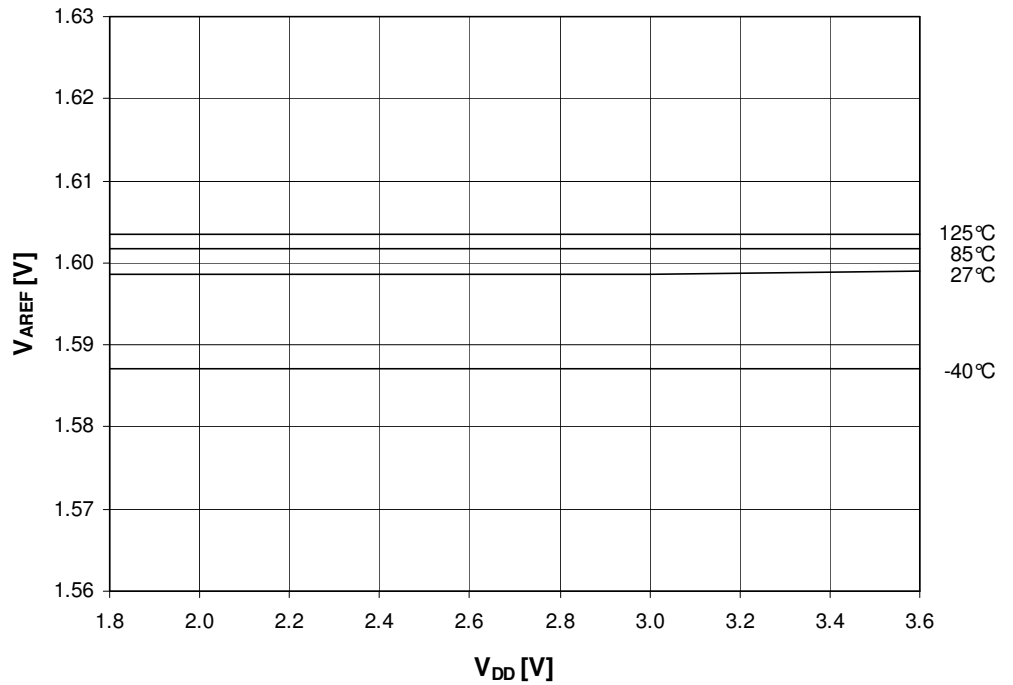
**Figure 36-45.** Effective Number of Bits vs. Supply Voltage for Gain=10 Channels





## 36.10 ADC Voltage Reference

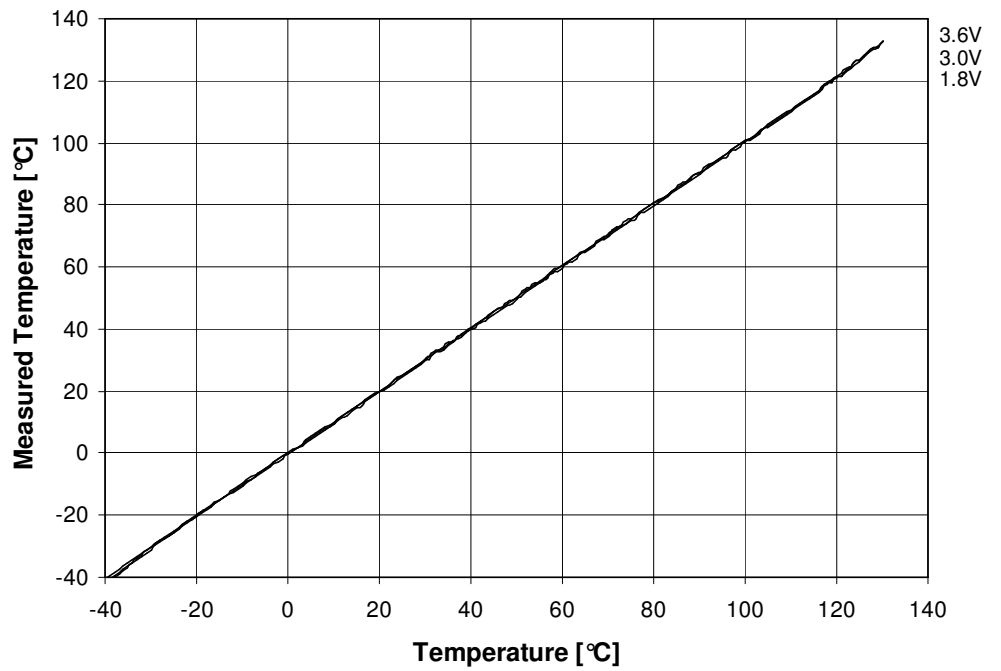
**Figure 36-46.** 1.6V ADC Voltage Reference vs. Supply Voltage



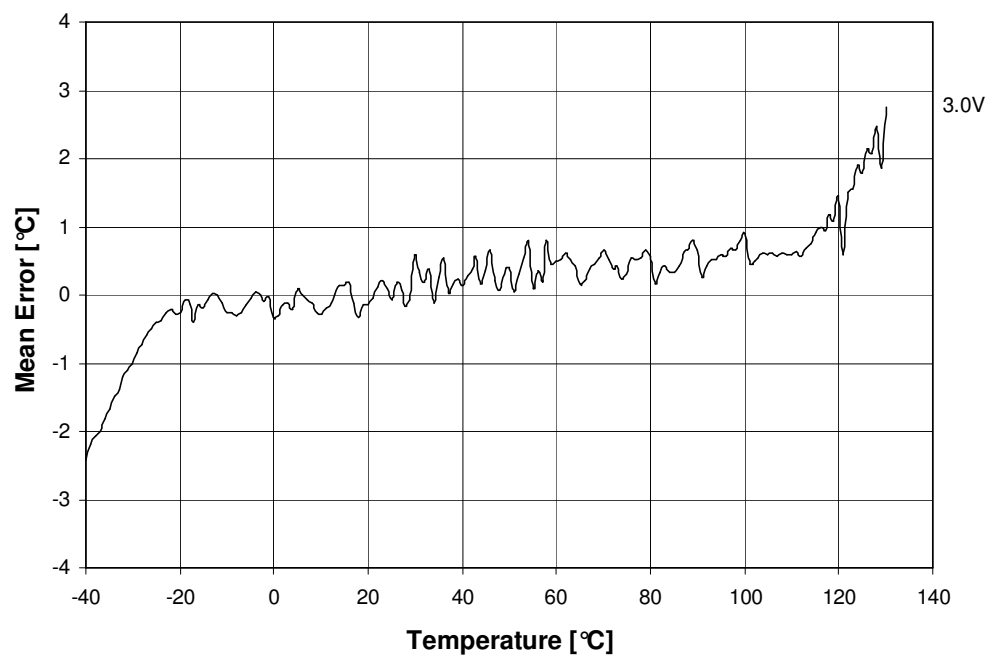
## 36.11 Temperature Sensor

The temperature measurement results have been measured with an ADC clock of 500 kHz, SUT = 80, THT = 4 and an internal reference voltage of 1.6V. To enhance the accuracy and resolution the data of 128 measurements per temperature step have been decimated.

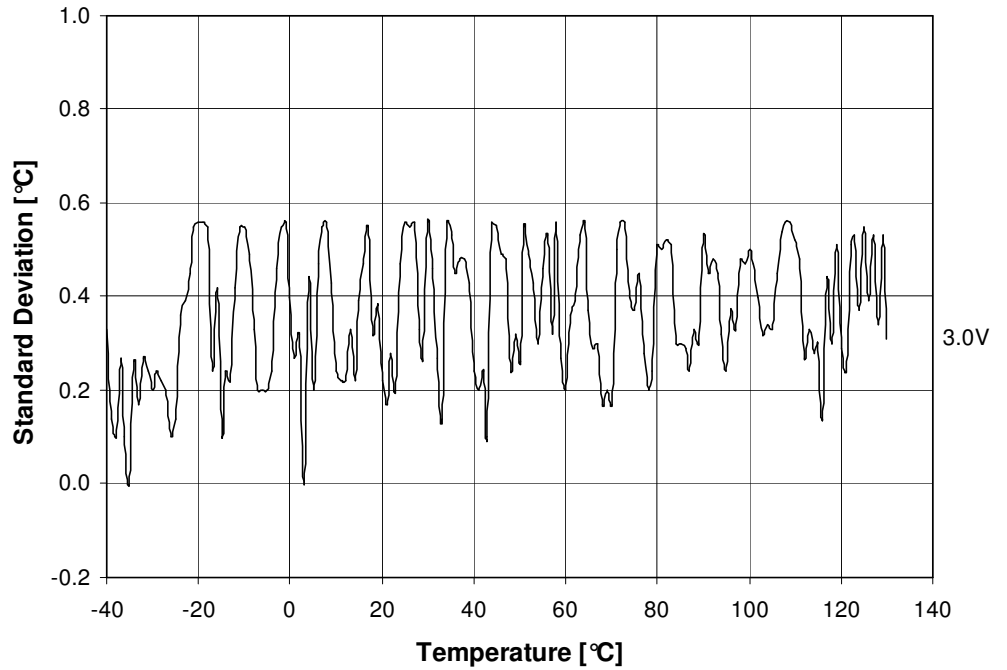
**Figure 36-47.** Measured Temperature Value vs. Temperature and  $V_{EVDD}$



**Figure 36-48.** Error of Measured Temperature Value  $\theta_{MEAS} - \theta_{IDEAL}$  vs. Temperature

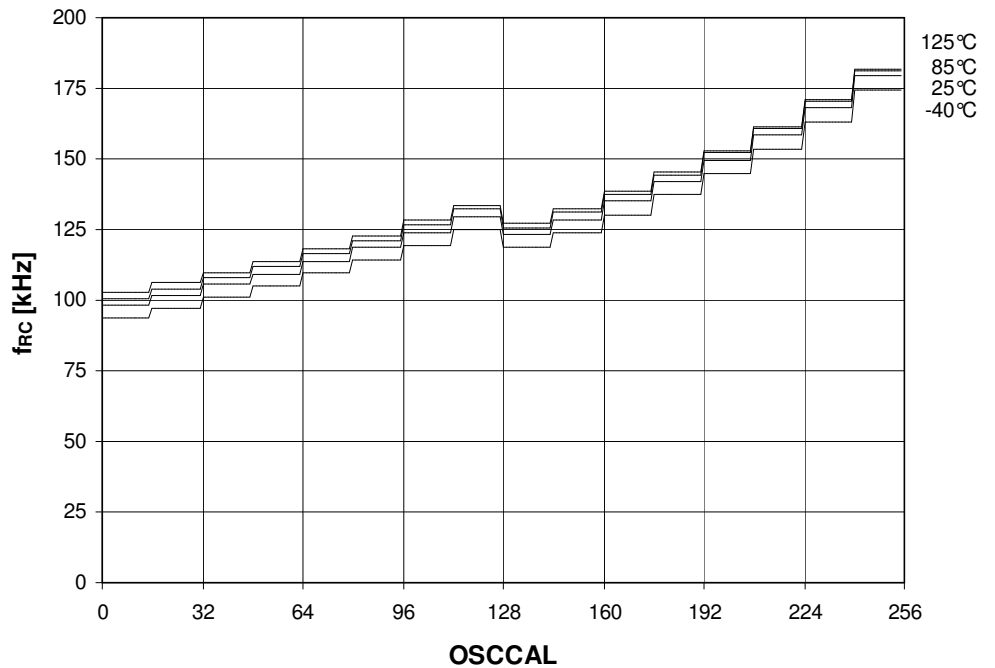


**Figure 36-49.** Standard Deviation of Measured Temperature vs. Temperature

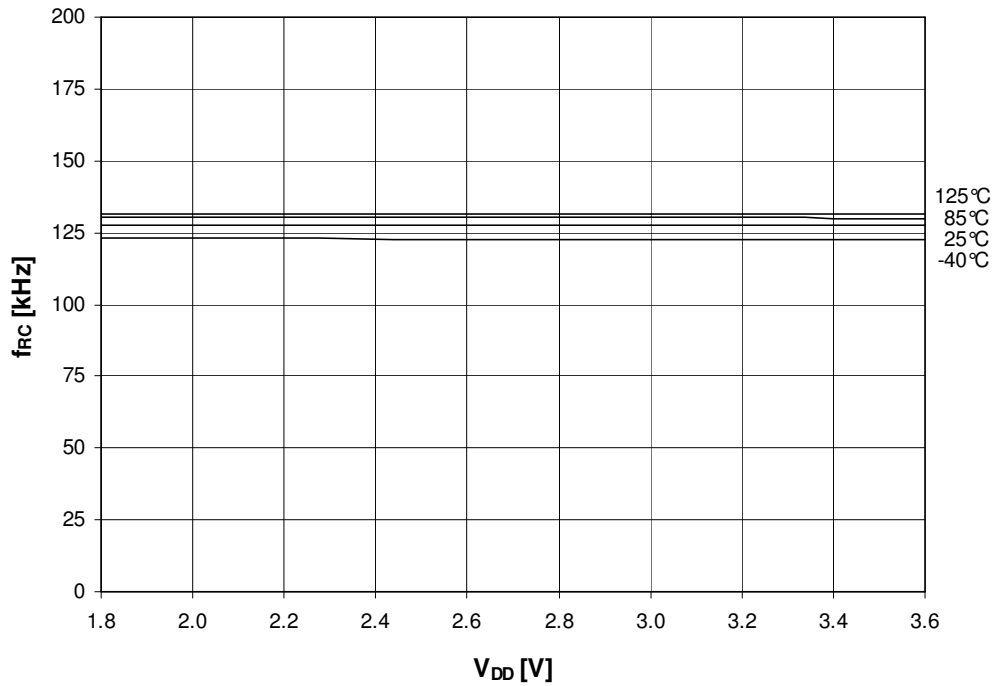


## 36.12 Internal Oscillator Speed

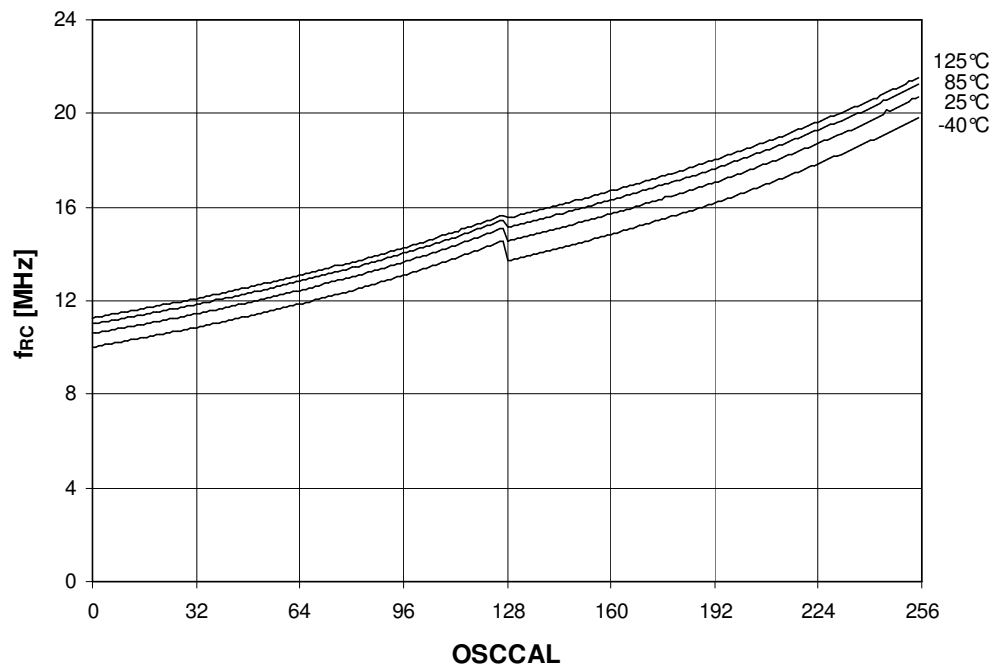
**Figure 36-50.** 128 kHz RC Oscillator Frequency vs. OSCCAL Register Value



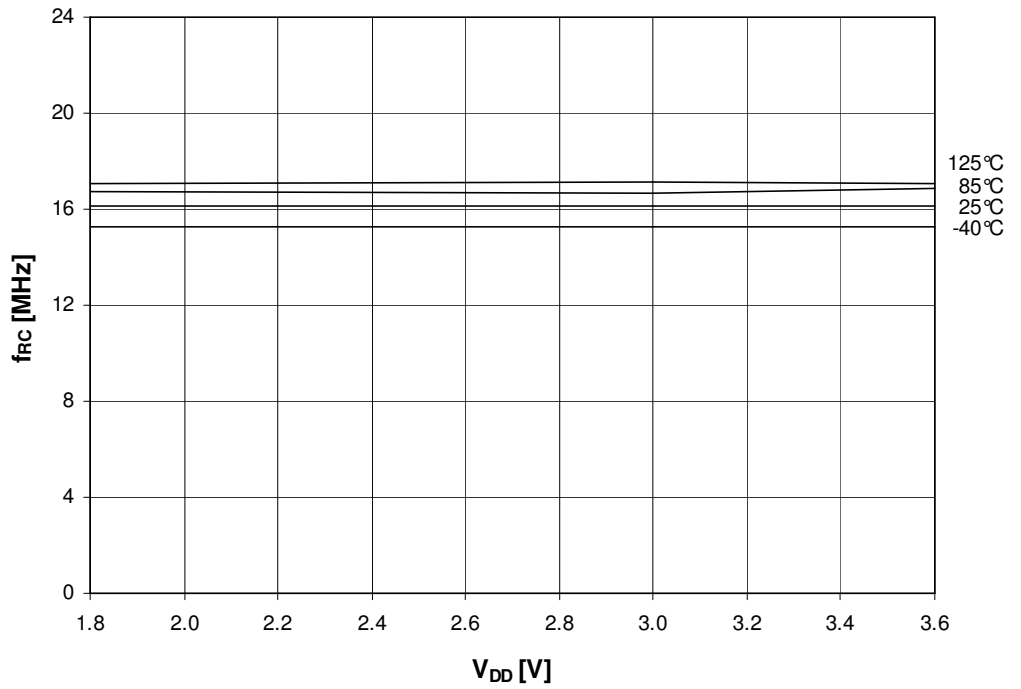
**Figure 36-51.** 128 kHz RC Oscillator Frequency vs. Supply Voltage



**Figure 36-52.** 16 MHz RC Oscillator Frequency vs. OSCCAL Register Value



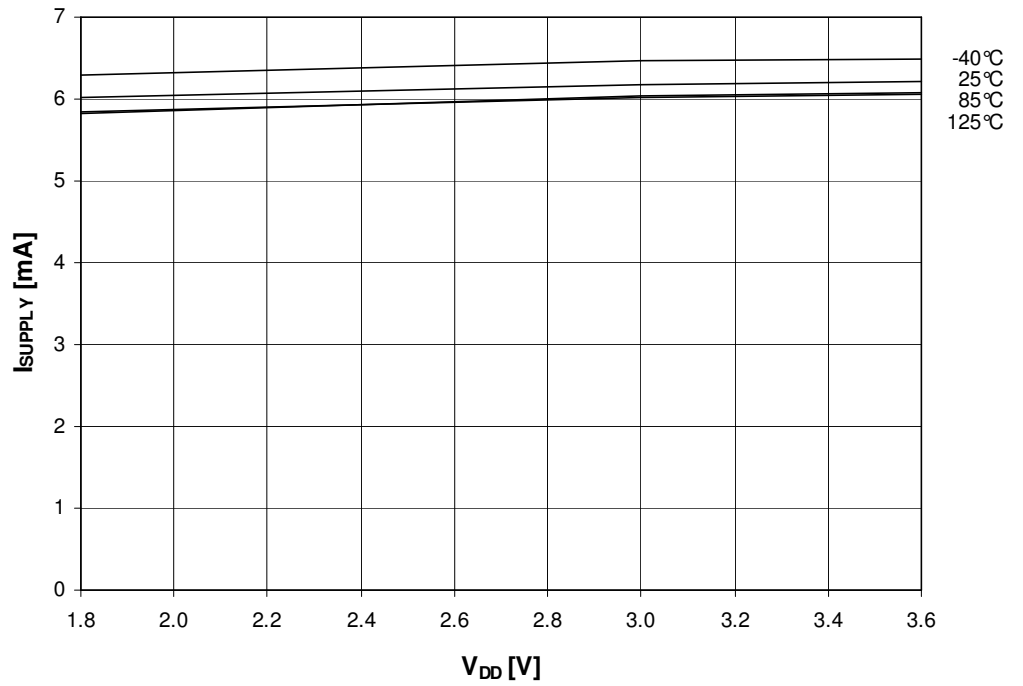
**Figure 36-53.** 16 MHz RC Oscillator Frequency vs. Supply Voltage  $V_{DEVDD}$



### 36.13 Programming Current

The programming currents shown in the following figures are averaged over the entire write/erase time. The value is primarily defined by the integrated charge pump. Therefore the currents for Flash, EEPROM, Fuse- and Lock-bit programming operations are similar.

**Figure 36-54.** Programming Current vs. Supply Voltage  $V_{DEVDD}$



## 37 Ordering Information

### ATmega2564RFR2

| Speed (MHz) | Power Supply | Ordering Code      | Package | Packing     | Operation Range               |
|-------------|--------------|--------------------|---------|-------------|-------------------------------|
| 16          | 1.8 – 3.6V   | ATmega2564RFR2-ZU  | PQ      | Tray        | Industrial (-40 °C to 85 °C)  |
| 16          | 1.8 – 3.6V   | ATmega2564RFR2-ZUR | PQ      | Tape & Reel | Industrial (-40 °C to 85 °C)  |
| 16          | 1.8 – 3.6V   | ATmega2564RFR2-ZF  | PQ      | Tray        | Industrial (-40 °C to 125 °C) |
| 16          | 1.8 – 3.6V   | ATmega2564RFR2-ZFR | PQ      | Tape & Reel | Industrial (-40 °C to 125 °C) |

- Notes:
5. Pb-free packaging, complies to European Directive for Restriction of Hazardous Substances (RoHS directive). Also Halide free and fully Green.
  6. Performance figures for 125 °C are only valid for devices with ordering code ATmega2564RFR2-ZF/-ZFR.

#### Package Type

|           |   |
|-----------|---|
| <b>PQ</b> | 48-lead, 7 x 7 x 0.9 mm Body, Quad Flat No-lead Package (QFN) |
|-----------|---|

## ATmega1284RFR2

| Speed (MHz) | Power Supply | Ordering Code      | Package | Packing     | Operation Range               |
|-------------|--------------|--------------------|---------|-------------|-------------------------------|
| 16          | 1.8 – 3.6V   | ATmega1284RFR2-ZU  | PQ      | Tray        | Industrial (-40 °C to 85 °C)  |
| 16          | 1.8 – 3.6V   | ATmega1284RFR2-ZUR | PQ      | Tape & Reel | Industrial (-40 °C to 85 °C)  |
| 16          | 1.8 – 3.6V   | ATmega1284RFR2-ZF  | PQ      | Tray        | Industrial (-40 °C to 125 °C) |
| 16          | 1.8 – 3.6V   | ATmega1284RFR2-ZFR | PQ      | Tape & Reel | Industrial (-40 °C to 125 °C) |

- Notes:
1. Pb-free packaging, complies to European Directive for Restriction of Hazardous Substances (RoHS directive). Also Halide free and fully Green.
  2. Performance figures for 125 °C are only valid for devices with ordering code ATmega1284RFR2-ZF/-ZFR.

| Package Type |   |
|--------------|---|
| <b>PQ</b>    | 48-lead, 7 x 7 x 0.9 mm Body, Quad Flat No-lead Package (QFN) |



## ATmega644RFR2

| Speed (MHz) | Power Supply | Ordering Code     | Package | Packing     | Operation Range               |
|-------------|--------------|-------------------|---------|-------------|-------------------------------|
| 16          | 1.8 – 3.6V   | ATmega644RFR2-ZU  | PQ      | Tray        | Industrial (-40 °C to 85 °C)  |
| 16          | 1.8 – 3.6V   | ATmega644RFR2-ZUR | PQ      | Tape & Reel | Industrial (-40 °C to 85 °C)  |
| 16          | 1.8 – 3.6V   | ATmega644RFR2-ZF  | PQ      | Tray        | Industrial (-40 °C to 125 °C) |
| 16          | 1.8 – 3.6V   | ATmega644RFR2-ZFR | PQ      | Tape & Reel | Industrial (-40 °C to 125 °C) |

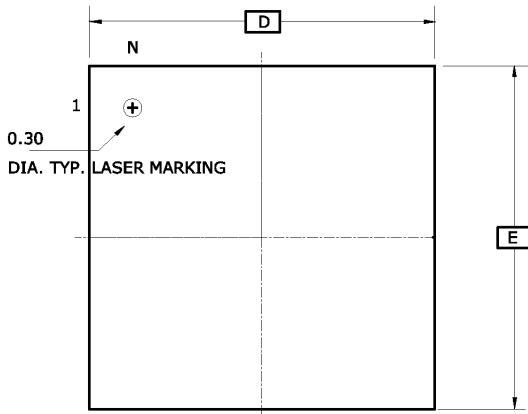
- Notes:
1. Pb-free packaging, complies to European Directive for Restriction of Hazardous Substances (RoHS directive). Also Halide free and fully Green.
  2. Performance figures for 125 °C are only valid for devices with ordering code ATmega644RFR2-ZF/-ZFR.

| Package Type |   |
|--------------|---|
| <b>PQ</b>    | 48-lead, 7 x 7 x 0.9 mm Body, Quad Flat No-lead Package (QFN) |

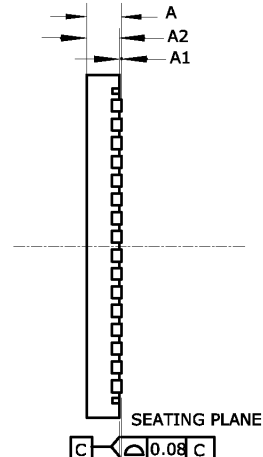
## 38 Packaging Information

### PQ

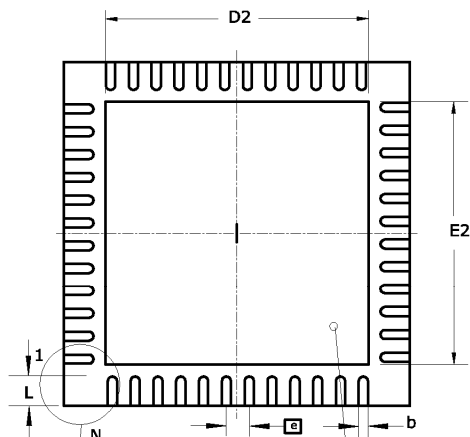
DRAWINGS NOT SCALED



TOP VIEW

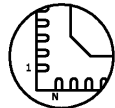


SIDE VIEW



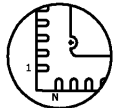
BOTTOM VIEW

Option A



Pin 1# Chamfer  
(C 0.30)

Option B



Pin 1# Notch  
(0.20 R)

See Options  
A, B

#### COMMON DIMENSIONS

(Unit of Measure = mm)

| SYMBOL | MIN      | NOM   | MAX  | NOTE |
|--------|----------|-------|------|------|
| A      | 0.80     | 0.85  | 0.90 |      |
| A1     | 0.00     | 0.02  | 0.05 |      |
| A2     | 0.75     | ----- | 1.00 |      |
| D/E    | 7 BSC    |       |      |      |
| D2/E2  | 5.50     | 5.60  | 5.70 |      |
| L      | 0.30     | 0.40  | 0.50 |      |
| b      | 0.17     | ----- | 0.30 | 2    |
| e      | 0.50 BSC |       |      |      |
| n      | 48       |       |      |      |

Notes : 1. This drawing is for general information only. Refer to JEDEC Drawing MO-220, Variation VKKD-4, for proper dimensions, tolerances, datums, etc.

2. Dimension b applies to metallized terminal and is measured between 0.15mm and 0.30mm from the terminal tip.

If the terminal has the optical radius on the other end of the terminal, the dimension should not be measured in that radius area.

09/17/2012

**Atmel** Package Drawing Contact:  
packagedrawings@atmel.com

TITLE

PQ, 48 Leads , 0.50 mm pitch, 7x7mm<sup>2</sup> Body Size  
Very Thin quad Flat No Lead Package (VQFN) Sawn

GPC

ZMA

DRAWING NO.

PQ

REV.

B

## 39 Errata

### 39.1 ATmega2564RFR2 revision D

- [Interrupt restrictions in Deep-sleep Mode](#)
- [Device does not enter Deep-Sleep if no crystal is connected to XTAL pins](#)

### 39.2 ATmega2564RFR2 revision A, B, C

Not sampled.

### 39.3 ATmega1284RFR2 revision D

- [Interrupt restrictions in Deep-sleep Mode](#)
- [Relocation of sleep instruction within boot section not sufficient](#)
- [Device does not enter Deep-Sleep if no crystal is connected to XTAL pins](#)

### 39.4 ATmega1284RFR2 revision A, B, C

Not sampled.

### 39.5 ATmega644RFR2 revision D

- [Interrupt restrictions in Deep-sleep Mode](#)
- [Relocation of sleep instruction within boot section not sufficient](#)
- [Device does not enter Deep-Sleep if no crystal is connected to XTAL pins](#)

### 39.6 ATmega644RFR2 revision A, B, C

Not sampled

## 39.7 Detailed errata description

### 39.7.1 Device does not enter Deep-Sleep if no crystal is connected to XTAL pins

If the device is used without the transceiver then there may be no crystal connected to the pins XTAL1 and XTAL2. The transceiver will then not enter its sleep state if the SLPTR bit in the TRXPR register is set and in consequence the device will not enter the deep sleep power-down state. (3672)

#### **Problem Fix/Workaround**

To disable the transceiver set the PRTRX24 bit in the PRR1 register.

### 39.7.2 PMU shows erroneous behavior with a 3 $\mu$ s period

The results from the phase measurement unit (PMU) depend on the length of the initial delay between a frequency change and the start of the phase measurement process (software timer). If the timer delay is increased then after adding 3 $\mu$ s, the same results are achieved. For some delay settings the PMU results are correct, for others they are wrong. (3768)

#### **Problem Fix/Workaround**

The software has to guarantee equidistant PMU measurements. The measurement start must be aligned to the internal clocks for instance by tweaking the program code with nop instructions.

### 39.7.3 Interrupt restrictions in Deep-sleep Mode

In Deep-Sleep Mode, there is a restriction regarding allowed memory location for the sleep instruction. Otherwise the interrupts will be disabled and can not wake-up the device. (4567)

#### Problem Fix/Workaround

There are two safe constellations where Deep-sleep Mode is guaranteed to allow interrupts waking up the device.

- If the IVSEL bit is not set (default value), the PC must be below the lowest possible boot segment, i.e. below word address 0x1F000 (byte address 0x3E000) for the 256K Byte FLASH memory configuration (application section of the memory).
- If the IVSEL bit is set, the PC must be above the beginning of the smallest (topmost) possible boot segment, i.e. above word address 0x1FE00 (byte address 0x3FC00) for the 256K Byte FLASH memory configuration. Note that the addresses mentioned are independent of the actual state of the BOOTSZ[1:0] fuse bits in high fuse.

The memory locations for wakeup by interrupts from Deep-Sleep have to be told to compiler respective linker as describe below.

- Pseudo-code listing including Compiler directives for actions to take for Deep-Sleep

```
// relocate function to last quarter of FLASH boot section
// ADDRESS=0x3FC00 / 256K Byte FLASH
void go_sleep_boot(void) __attribute__((section(".high"),
noinline));
void go_sleep_boot(void)
{
    asm("SLEEP");
}

// relocate function to the application section
// ADDRESS=0x3E000 / 256K Byte FLASH
// default bootloader fuse settings
void go_sleep_appl(void) __attribute__((section(".text"),
noinline));
void go_sleep_appl(void)
{
    asm("SLEEP");
}

// Beware that at least one interrupt source must
// be setup and enabled when entering here.
void gosleep(void)
{
    /* prepare Deep-sleep Mode */
    PRR1 = (1 << PRTRX24); /* power-off transceiver */
    SMCR = (2 << SM0) | (1 << SE);
    if (MCUCR & (1 << IVSEL))
        go_sleep_boot();
    else
        go_sleep_appl();
    /* back from sleep here */
    SMCR = 0;
}
```

Linker options to relocate the interrupt functions to the required memory address the linker need to have following options added (related to 256kByte FLASH memory

configuration):

```
.... -Wl,--section-start=.text=0x3E000 -Wl,--section-start=.high=0x3FC00
```

For other tool chains please contact the tool vendor.

If the source code needs to be portable for all memory configurations consider the limitations as described in the chapter ["Relocation of sleep instruction within boot section not sufficient"](#) below.

### 39.7.4 Relocation of sleep instruction within boot section not sufficient

Relocation of sleep instruction within the boot section as described in chapter 39.7.3 above for the 256K Byte FLASH memory configuration does not wakeup the devices with a smaller FLASH memory configuration (128K Byte, 64K Byte). (4567)

#### Problem Fix/Workaround

Do not use wakeup interrupts in the boot section. It is recommended to place the wakeup interrupts in the application section.

If it is required to save current while executing the program from the boot section choose an appropriated mode as described in the chapter ["AVR Microcontroller Sleep Modes"](#) on page 184.

If the transceiver is not in SLEEP state the use of PowerDown respective PowerSave mode is possible because the device will not enter DeepSleep mode.

## 40 Revision history

Please note that the referring page numbers in this section are referring to this document. The referring revision in this section are referring to the document revision

### Rev. 42073B-MCU Wireless-09/14

1. Routing of divided EVDD voltage to the comparator added in the chapter "[EVDD Voltage Measurement](#)" on page 461
2. Endurance value corrected in the chapter "[In-System Reprogrammable Flash Program Memory](#)" on page 18
3. Errata section added
4. Product names replaced by FLASH memory configuration in chapters "[Stack Pointer](#)" on page 13 and "[Deep-Sleep Mode](#)" on page 555
5. Comment in pseudo code in chapter "[Reading the Signature Row from Software](#)" on page 492 changed to English
6. Additional cross-link to TX chapter added in "[External RF-Front End Control](#)" on page 98
7. Assembly code and some details added to chapter "[Reading the Signature Row from Software](#)" on page 492
8. "Factory Row" replaced by "Signature Row" in [NEMCR – Flash Extended-Mode Control-Register](#) on page 501
9. Relation between SRT and Frame Buffer Protection added in "[Dynamic Frame Buffer Protection](#)" on page 99 and "[SRT – Smart Receiving Technology](#)" on page 104
10. Assembly code and some details added to chapter "[Reading the Signature Row from Software](#)" on page 492
11. Old identifier TST\_FRAME\_LENGTH replaced by TST\_RX\_LENGTH

### Rev. 42073A-MCU Wireless-02/13

12. Initial release

## Table of Contents

|   |           |
|---|-----------|
| <b>Features</b> .....   | <b>1</b>  |
| <b>Applications</b> .....   | <b>1</b>  |
| <b>1 Pin Configurations</b> .....                                 | <b>2</b>  |
| <b>2 Disclaimer</b> .....   | <b>2</b>  |
| <b>3 Overview</b> .....   | <b>3</b>  |
| 3.1 Block Diagram .....   | 3         |
| 3.2 Pin Descriptions.....   | 5         |
| 3.3 Unused Pins .....   | 7         |
| 3.4 Compatibility and Feature Limitations of QFN-48 Package ..... | 7         |
| <b>4 Resources</b> .....  | <b>8</b>  |
| <b>5 About Code Examples</b> .....                                | <b>8</b>  |
| <b>6 Data Retention and Endurance</b> .....                       | <b>8</b>  |
| 6.1 Data Retention.....   | 8         |
| 6.2 Endurance of the Code Memory (FLASH) .....                    | 8         |
| 6.3 Endurance of the Data Memory (EEPROM) .....                   | 8         |
| <b>7 AVR CPU Core</b> .....                                       | <b>9</b>  |
| 7.1 Introduction.....   | 9         |
| 7.2 Architectural Overview .....                                  | 9         |
| 7.3 ALU – Arithmetic Logic Unit .....                             | 10        |
| 7.4 Status Register .....   | 11        |
| 7.5 General Purpose Register File .....                           | 12        |
| 7.6 Stack Pointer .....   | 13        |
| 7.7 Instruction Execution Timing .....                            | 15        |
| 7.8 Reset and Interrupt Handling .....                            | 15        |
| <b>8 AVR Memories</b> .....                                       | <b>18</b> |
| 8.1 In-System Reprogrammable Flash Program Memory.....            | 18        |
| 8.2 SRAM Data Memory .....  | 18        |
| 8.3 EEPROM Data Memory .....                                      | 20        |
| 8.4 EEPROM Register Description .....                             | 26        |
| 8.5 I/O Memory.....   | 28        |
| 8.6 General Purpose I/O Registers .....                           | 29        |
| 8.7 Other Port Registers.....                                     | 30        |
| <b>9 Low-Power 2.4 GHz Transceiver</b> .....                      | <b>32</b> |
| 9.1 Features .....  | 32        |
| 9.2 General Circuit Description .....                             | 33        |

|   |            |
|---|------------|
| 9.3 Transceiver to Microcontroller Interface .....                          | 34         |
| 9.4 Operating Modes .....   | 38         |
| 9.5 Functional Description .....  | 67         |
| 9.6 Module Description .....  | 80         |
| 9.7 Radio Transceiver Usage .....   | 90         |
| 9.8 Radio Transceiver Extended Feature Set .....                            | 92         |
| 9.9 Continuous Transmission Test Mode .....                                 | 106        |
| 9.10 Abbreviations .....  | 108        |
| 9.11 Reference Documents .....  | 110        |
| 9.12 Register Description .....   | 111        |
| <b>10 MAC Symbol Counter .....</b>  | <b>155</b> |
| 10.1 Main Features .....  | 155        |
| 10.2 Clock source selection and Sleep/Active mode operation .....           | 155        |
| 10.3 32 bit Register Access (Atomic Read/Write) .....                       | 156        |
| 10.4 Symbol Counter (32 bit, SCCNT) .....                                   | 156        |
| 10.5 Symbol Counter SFD Timestamp Register (32 bit, SCTSR, Read Only) ..... | 156        |
| 10.6 Symbol Counter Beacon Timestamp Register (32 bit, SCBTSR) .....        | 157        |
| 10.7 Compare Unit (3x 32 bit, SCOCR1, SCOCR2, SCOCR3) .....                 | 157        |
| 10.8 Interrupt Control Registers .....                                      | 157        |
| 10.9 Backoff Slot Counter .....   | 158        |
| 10.10 Symbol Counter Usage .....  | 158        |
| 10.11 Register Description .....  | 159        |
| <b>11 System Clock and Clock Options .....</b>                              | <b>174</b> |
| 11.1 Overview .....   | 174        |
| 11.2 Clock Systems and their Distribution .....                             | 174        |
| 11.3 Clock Sources .....  | 175        |
| 11.4 Calibrated Internal RC Oscillator .....                                | 176        |
| 11.5 128 kHz Internal Oscillator .....                                      | 177        |
| 11.6 External Clock .....   | 177        |
| 11.7 Transceiver Crystal Oscillator .....                                   | 178        |
| 11.8 Clock Output Buffer .....  | 179        |
| 11.9 Timer/Counter Oscillator .....   | 179        |
| 11.10 System Clock Prescaler .....  | 179        |
| 11.11 Register Description .....  | 180        |
| <b>12 Power Management and Sleep Modes .....</b>                            | <b>183</b> |
| 12.1 Deep-Sleep Mode .....  | 183        |



|  |            |
|--|------------|
| 12.2 AVR Microcontroller Sleep Modes .....                         | 184        |
| 12.2.6 Extended Standby Mode .....                                 | 186        |
| 12.3 Power Reduction Register.....                                 | 186        |
| 12.4 Minimizing Power Consumption .....                            | 187        |
| 12.5 Supply Voltage and Leakage Control.....                       | 189        |
| 12.6 Register Description .....                                    | 194        |
| <b>13 System Control and Reset .....</b>                           | <b>207</b> |
| 13.1 Resetting the AVR.....  | 207        |
| 13.2 Reset Sources .....   | 207        |
| 13.3 Internal Voltage Reference.....                               | 210        |
| 13.4 Watchdog Timer .....  | 211        |
| 13.5 Register Description .....                                    | 214        |
| <b>14 I/O-Ports.....</b>   | <b>217</b> |
| 14.1 Introduction.....   | 217        |
| 14.2 Ports as General Digital I/O.....                             | 218        |
| 14.3 Alternate Port Functions.....                                 | 222        |
| 14.4 Register Description .....                                    | 234        |
| <b>15 Interrupts .....</b>   | <b>241</b> |
| 15.1 Interrupt Vectors in ATmega2564/1284/644RFR2.....             | 241        |
| 15.2 Reset and Interrupt Vector Placement .....                    | 243        |
| 15.3 Moving Interrupts Between Application and Boot Section .....  | 246        |
| 15.4 Register Description .....                                    | 247        |
| <b>16 External Interrupts .....</b>                                | <b>248</b> |
| 16.1 Pin Change Interrupt Timing .....                             | 248        |
| 16.2 Register Description .....                                    | 249        |
| <b>17 8-bit Timer/Counter0 with PWM .....</b>                      | <b>256</b> |
| 17.1 Features .....  | 256        |
| 17.2 Overview.....   | 256        |
| 17.3 Timer/Counter Clock Sources .....                             | 257        |
| 17.4 Counter Unit .....  | 257        |
| 17.5 Output Compare Unit .....                                     | 258        |
| 17.6 Compare Match Output Unit.....                                | 260        |
| 17.7 Modes of Operation.....                                       | 262        |
| 17.8 Timer/Counter Timing Diagrams .....                           | 266        |
| 17.9 Register Description .....                                    | 268        |
| <b>18 16-bit Timer/Counter (Timer/Counter 1, 3, 4, and 5).....</b> | <b>274</b> |

|  |            |
|--|------------|
| 18.1 Features .....  | 274        |
| 18.2 Overview.....   | 274        |
| 18.3 Accessing 16-bit Registers.....                               | 276        |
| 18.4 Timer/Counter Clock Sources .....                             | 279        |
| 18.5 Counter Unit .....  | 279        |
| 18.6 Input Capture Unit .....                                      | 280        |
| 18.7 Output Compare Units.....                                     | 282        |
| 18.8 Compare Match Output Unit.....                                | 284        |
| 18.9 Modes of Operation.....                                       | 286        |
| 18.10 Timer/Counter Timing Diagrams .....                          | 294        |
| 18.11 Register Description .....                                   | 296        |
| <b>19 Timer/Counter 0, 1, 3, 4, and 5 Prescaler .....</b>          | <b>334</b> |
| 19.1 Internal Clock Source .....                                   | 334        |
| 19.2 Prescaler Reset.....  | 334        |
| 19.3 External Clock Source.....                                    | 334        |
| 19.4 Register Description .....                                    | 335        |
| <b>20 Output Compare Modulator (OCM1C0A).....</b>                  | <b>337</b> |
| 20.1 Overview.....   | 337        |
| 20.2 Description.....  | 337        |
| 20.3 Timing Example.....   | 338        |
| <b>21 8-bit Timer/Counter2 with PWM and Asynchronous Operation</b> | <b>339</b> |
| 21.1 Features .....  | 339        |
| 21.2 Overview.....   | 339        |
| 21.3 Timer/Counter Clock Sources .....                             | 340        |
| 21.4 Counter Unit .....  | 341        |
| 21.5 Modes of Operation.....                                       | 341        |
| 21.6 Output Compare Unit .....                                     | 346        |
| 21.7 Compare Match Output Unit.....                                | 347        |
| 21.8 Timer/Counter Timing Diagrams .....                           | 349        |
| 21.9 Asynchronous Operation of Timer/Counter2.....                 | 350        |
| 21.10 Timer/Counter Prescaler .....                                | 353        |
| 21.11 Register Description .....                                   | 354        |
| <b>22 SPI- Serial Peripheral Interface.....</b>                    | <b>361</b> |
| 22.1 Features .....  | 361        |
| 22.2 Functional Description.....                                   | 361        |
| 22.3 Pin Functionality Slave Select Pin $\overline{SS}$ .....      | 365        |

|  |            |
|--|------------|
| 22.4 Register Description .....                                      | 367        |
| <b>23 USART.....</b>   | <b>370</b> |
| 23.1 Features .....  | 370        |
| 23.2 Overview.....   | 370        |
| 23.3 Clock Generation.....   | 371        |
| 23.4 Frame Formats .....   | 374        |
| 23.5 USART Initialization .....                                      | 375        |
| 23.6 Data Transmission – The USART Transmitter.....                  | 376        |
| 23.7 Data Reception – The USART Receiver .....                       | 379        |
| 23.8 Asynchronous Data Reception.....                                | 383        |
| 23.9 Multi-processor Communication Mode.....                         | 386        |
| 23.10 Register Description .....                                     | 387        |
| 23.11 Examples of Baud Rate Setting .....                            | 396        |
| <b>24 USART in SPI Mode .....</b>                                    | <b>399</b> |
| 24.1 Overview.....   | 399        |
| 24.2 USART MSPIM vs. SPI .....                                       | 399        |
| 24.3 SPI Data Modes and Timing .....                                 | 400        |
| 24.4 Frame Formats .....   | 401        |
| 24.5 Data Transfer.....  | 402        |
| 24.6 USART MSPIM Register Description .....                          | 404        |
| <b>25 2-wire Serial Interface .....</b>                              | <b>408</b> |
| 25.1 Features .....  | 408        |
| 25.2 2-wire Serial Interface Bus Definition .....                    | 408        |
| 25.2.2 Electrical .....  | 409        |
| 25.3 Data Transfer and Frame Format.....                             | 409        |
| 25.4 Multi-master Bus Systems, Arbitration and Synchronization ..... | 411        |
| 25.5 Overview of the TWI Module .....                                | 413        |
| 25.6 Using the TWI.....  | 415        |
| 25.7 Transmission Modes .....  | 418        |
| 25.8 Multi-master Systems and Arbitration .....                      | 431        |
| 25.9 Register Description .....                                      | 432        |
| <b>26 AC – Analog Comparator .....</b>                               | <b>438</b> |
| 26.1 Analog Comparator Multiplexed Input.....                        | 438        |
| 26.2 Register Description .....                                      | 439        |
| <b>27 ADC – Analog to Digital Converter.....</b>                     | <b>442</b> |
| 27.1 Features .....  | 442        |

|  |            |
|--|------------|
| 27.2 Operation.....  | 443        |
| 27.3 ADC Start-Up.....   | 444        |
| 27.4 Starting a Conversion.....  | 445        |
| 27.5 Pre-scaling and Conversion Timing .....                             | 446        |
| 27.6 Changing Channel or Reference Selection.....                        | 449        |
| 27.7 ADC Noise Canceller .....   | 452        |
| 27.8 ADC Conversion Result .....   | 456        |
| 27.9 Internal Temperature Measurement.....                               | 458        |
| 27.10 SRAM DRT Voltage Measurement .....                                 | 460        |
| 27.11 EVDD Voltage Measurement .....                                     | 461        |
| 27.12 Register Description .....   | 462        |
| <b>28 JTAG Interface and On-chip Debug System.....</b>                   | <b>470</b> |
| 28.1 Features .....  | 470        |
| 28.2 Overview.....   | 470        |
| 28.3 TAP - Test Access Port.....   | 471        |
| 28.4 TAP Controller .....  | 472        |
| 28.5 Using the Boundary-scan Chain.....                                  | 473        |
| 28.6 Using the On-chip Debug System .....                                | 473        |
| 28.7 On-chip Debug Specific JTAG Instructions .....                      | 474        |
| 28.8 Using the JTAG Programming Capabilities.....                        | 474        |
| 28.9 Bibliography.....   | 475        |
| 28.10 On-chip Debug Related Register in I/O Memory.....                  | 475        |
| <b>29 IEEE 1149.1 (JTAG) Boundary-scan.....</b>                          | <b>476</b> |
| 29.1 Features .....  | 476        |
| 29.2 System Overview .....   | 476        |
| 29.3 Data Registers.....   | 476        |
| 29.4 Boundary-scan Specific JTAG Instructions .....                      | 478        |
| 29.5 Boundary-scan Chain.....  | 479        |
| 29.6 Boundary-scan Related Register in I/O Memory.....                   | 482        |
| 29.7 Boundary-scan Description Language Files .....                      | 483        |
| 29.8 ATmega2564/1284/644RFR2 Boundary-scan Order.....                    | 483        |
| <b>30 Boot Loader Support – Read-While-Write Self-Programming... 485</b> |            |
| 30.1 Features .....  | 485        |
| 30.2 Application and Boot Loader Flash Sections .....                    | 485        |
| 30.3 Read-While-Write and No Read-While-Write Flash Sections .....       | 486        |
| 30.4 Boot Loader Lock Bits .....   | 488        |

|   |            |
|---|------------|
| 30.5 Addressing the Flash During Self-Programming.....                | 488        |
| 30.6 Self-Programming the Flash.....                                  | 489        |
| 30.7 Register Description .....                                       | 499        |
| <b>31 Memory Programming.....</b>                                     | <b>502</b> |
| 31.1 Program And Data Memory Lock Bits.....                           | 502        |
| 31.2 Fuse Bits.....   | 503        |
| 31.3 Signature Bytes .....  | 505        |
| 31.4 User Signature Data .....  | 505        |
| 31.5 Calibration Byte .....   | 505        |
| 31.6 Page Size .....  | 505        |
| 31.7 Parallel Programming Parameters, Pin Mapping, and Commands ..... | 506        |
| 31.8 Parallel Programming.....  | 508        |
| 31.9 Serial Downloading .....   | 519        |
| 31.10 Programming via the JTAG Interface.....                         | 523        |
| <b>32 Application Circuits.....</b>                                   | <b>538</b> |
| 32.1 Basic Application Schematic .....                                | 538        |
| <b>33 Register Summary.....</b>                                       | <b>540</b> |
| <b>34 Instruction Set Summary.....</b>                                | <b>545</b> |
| 34.1 Arithmetic and Logic Instructions .....                          | 545        |
| 34.2 Branch Instructions.....   | 546        |
| 34.3 Bit and Bit Test Instructions.....                               | 547        |
| 34.4 Data Transfer Instructions .....                                 | 548        |
| 34.5 MCU Control Instructions .....                                   | 549        |
| <b>35 Electrical Characteristics.....</b>                             | <b>550</b> |
| 35.1 Absolute Maximum Ratings.....                                    | 550        |
| 35.2 Recommended Operating Range.....                                 | 550        |
| 35.3 Digital Pin Characteristics .....                                | 551        |
| 35.4 Transceiver Pin Characteristics.....                             | 551        |
| 35.5 Power Supply Currents (RF transceiver in SLEEP mode).....        | 552        |
| 35.6 Clock Characteristics.....                                       | 552        |
| 35.7 System and Reset Characteristics .....                           | 553        |
| 35.8 Power Management Electrical Characteristics.....                 | 554        |
| 35.9 2-wire Serial Interface Characteristics .....                    | 556        |
| 35.10 SPI Timing Characteristics .....                                | 557        |
| 35.11 ADC Characteristics .....                                       | 558        |
| 35.12 Temperature Sensor Characteristics .....                        | 560        |

|  |            |
|--|------------|
| 35.13 Analog Comparator Characteristics .....                                  | 560        |
| 35.14 Transceiver Electrical Characteristics .....                             | 560        |
| <b>36 Typical Characteristics.....</b>   | <b>564</b> |
| 36.1 Supply Current vs. Clock Speed with Transceiver in SLEEP .....            | 564        |
| 36.2 Current Consumption of Bandgap Source and Digital Voltage Regulator ..... | 568        |
| 36.3 Current Consumption in various Transceiver States.....                    | 568        |
| 36.4 RF Measurements.....  | 571        |
| 36.5 BOD Threshold.....  | 573        |
| 36.6 Pin Driver Strength .....   | 574        |
| 36.7 Power-Down Current.....   | 577        |
| 36.8 Static ADC Parameter – INL and DNL .....                                  | 578        |
| 36.9 Dynamic ADC Parameter – ENOB.....   | 582        |
| 36.10 ADC Voltage Reference.....   | 585        |
| 36.11 Temperature Sensor .....   | 585        |
| 36.12 Internal Oscillator Speed .....  | 587        |
| 36.13 Programming Current.....   | 589        |
| <b>37 Ordering Information .....</b>   | <b>591</b> |
| <b>38 Packaging Information .....</b>  | <b>594</b> |
| <b>39 Errata .....</b>   | <b>595</b> |
| 39.1 ATmega2564RFR2 revision D .....   | 595        |
| 39.2 ATmega2564RFR2 revision A, B, C .....                                     | 595        |
| 39.3 ATmega1284RFR2 revision D .....   | 595        |
| 39.4 ATmega1284RFR2 revision A, B, C .....                                     | 595        |
| 39.5 ATmega644RFR2 revision D .....  | 595        |
| 39.6 ATmega644RFR2 revision A, B, C.....                                       | 595        |
| 39.7 Detailed errata description .....   | 595        |
| <b>40 Revision history.....</b>  | <b>598</b> |
| <b>Table of Contents.....</b>  | <b>599</b> |



Enabling Unlimited Possibilities®

**Atmel Corporation**

1600 Technology Drive  
San Jose, CA 95110  
USA

**Tel:** (+1)(408) 441-0311

**Fax:** (+1)(408) 487-2600

[www.atmel.com](http://www.atmel.com)

**Atmel Asia Limited**

Unit 01-5 & 16, 19F  
BEA Tower, Millennium City 5  
418 Kwun Tong Road

Kwun Tong, Kowloon

HONG KONG

**Tel:** (+852) 2245-6100

**Fax:** (+852) 2722-1369

**Atmel Munich GmbH**

Business Campus  
Parkring 4  
D-85748 Garching b. Munich

GERMANY

**Tel:** (+49) 89-31970-0

**Fax:** (+49) 89-3194621

**Atmel Japan G.K.**

16F Shin-Osaki Kangyo Bldg.  
1-6-4 Osaki, Shinagawa-ku  
Tokyo 141-0032

JAPAN

**Tel:** (+81)(3) 6417-0300

**Fax:** (+81)(3) 6417-0370

© 2014 Atmel Corporation. All rights reserved. / Rev.: 42073B-MCU Wireless-09/14

Atmel®, Atmel logo and combinations thereof, Enabling Unlimited Possibilities®, and others are registered trademarks or trademarks of Atmel Corporation or its subsidiaries. Other terms and product names may be trademarks of others.

Disclaimer: The information in this document is provided in connection with Atmel products. No license, express or implied, by estoppel or otherwise, to any intellectual property right is granted by this document or in connection with the sale of Atmel products. EXCEPT AS SET FORTH IN THE ATMEL TERMS AND CONDITIONS OF SALES LOCATED ON THE ATMEL WEBSITE, ATMEL ASSUMES NO LIABILITY WHATSOEVER AND DISCLAIMS ANY EXPRESS, IMPLIED OR STATUTORY WARRANTY RELATING TO ITS PRODUCTS INCLUDING, BUT NOT LIMITED TO, THE IMPLIED WARRANTY OF MERCHANTABILITY, FITNESS FOR A PARTICULAR PURPOSE, OR NON-INFRINGEMENT. IN NO EVENT SHALL ATMEL BE LIABLE FOR ANY DIRECT, INDIRECT, CONSEQUENTIAL, PUNITIVE, SPECIAL OR INCIDENTAL DAMAGES (INCLUDING, WITHOUT LIMITATION, DAMAGES FOR LOSS AND PROFITS, BUSINESS INTERRUPTION, OR LOSS OF INFORMATION) ARISING OUT OF THE USE OR INABILITY TO USE THIS DOCUMENT, EVEN IF ATMEL HAS BEEN ADVISED OF THE POSSIBILITY OF SUCH DAMAGES. Atmel makes no representations or warranties with respect to the accuracy or completeness of the contents of this document and reserves the right to make changes to specifications and products descriptions at any time without notice. Atmel does not make any commitment to update the information contained herein. Unless specifically provided otherwise, Atmel products are not suitable for, and shall not be used in, automotive applications. Atmel products are not intended, authorized, or warranted for use as components in applications intended to support or sustain life.