



www.DataSheet4U.com

# AU6981

USB2.0 Universal Flash Disk Controller

**Technical Reference Manual**



www.DataSheet4U.com

# **AU6981**

**USB2.0 Universal Flash Disk Controller**



### Copyright

Copyright © 1997 - 2007. Alcor Micro, Corp. All Rights Reserved. No part of this data sheet may be reproduced, transmitted, transcribed, stored in a retrieval system or translated into any language or computer language, in any form or by any means, electronic, mechanical, magnetic, optical, chemical, manual or otherwise, without prior written permission from Alcor Micro, Corp.

### Trademark Acknowledgements

The company and product names mentioned in this document may be the trademarks or registered trademarks of their manufacturers.

www.DataSheet4U.com

### Disclaimer

Alcor Micro, Corp. reserves the right to change this product without prior notice. Alcor Micro, Corp. makes no warranty for the use of its products and bears no responsibility for any error that appear in this document. Specifications are subject to change without prior notice.

### Revision History

Date	Revision	Description
Oct 2006	1.00W	Official Release.
June 2007	1.01W	Modify 3.1 Pin Descriptions-P7(External 330 Resister to Ground) Modify 3.2 Pin Descriptions-P5(External 330 Resister to Ground)

### Contact Information:

Web site: <http://www.alcormicro.com/>

#### Taiwan

Alcor Micro, Corp.  
4F, No 200 Kang Chien Rd., Nei Hu,  
Taipei, Taiwan, R.O.C.  
Phone: 886-2-8751-1984  
Fax: 886-2-2659-7723

#### China ShenZhen Office

Rm.2407-08, Industrial Bank Building  
No.4013, Shennan Road,  
ShenZhen,China. 518026  
Phone: (0755) 8366-9039  
Fax: (0755) 8366-9101

#### Santa Clara Office

2901 Tasman Drive, Suite 206  
Santa Clara, CA 95054  
USA  
Phone: (408) 845-9300  
Fax: (408) 845-9086

#### Los Angeles Office

9070 Rancho Park Court  
Rancho Cucamonga, CA 91730  
USA  
Phone: (909) 483-9900  
Fax: (909) 944-0464



**<Memo>**



# Table of Contents

<b>1. Introduction .....</b>	<b>1</b>
1.1 Description.....	1
1.2 Features.....	1
<b>2. Application Block Diagram .....</b>	<b>2</b>
<b>3. Pin Assignment .....</b>	<b>3</b>
<b>4. System Architecture and Reference Design .....</b>	<b>9</b>
4.1 AU6981 Block Diagram .....	9
<b>5. Electrical Characteristics .....</b>	<b>10</b>
5.1 Absolute Maximum Ratings.....	10
5.2 Recommended Operating Conditions .....	10
5.3 General DC Characteristics .....	10
5.4 DC Electrical Characteristics of 3.3V I/O Cells.....	11
5.5 USB Transceiver Characteristics .....	11
<b>6. Mechanical Information .....</b>	<b>15</b>
<b>7. Abbreviations .....</b>	<b>16</b>



## List of Figures

Figure 2.1 Block Diagram.....	2
Figure 3.1 AU6981-GDL Pin Assignment Diagram .....	3
Figure 3.2 AU6981-GHL Pin Assignment Diagram .....	6
Figure 4.1 AU6981 Block Diagram .....	9
Figure 6.1 Mechanical Information Diagram .....	15

www.DataSheet4U.com

## List of Tables

Table 3.1 AU6981-GDL Pin Descriptions .....	4
Table 3.2 AU6981-GHL Pin Descriptions .....	7
Table 5.1 Absolute Maximum Ratings .....	10
Table 5.2 Recommended Operating Conditions .....	10
Table 5.3 General DC Characteristics .....	10
Table 5.4 DC Electrical Characteristics of 3.3V I/O Cells .....	11
Table 5.5 Electrical characteristics .....	11
Table 5.6 Static characteristic : Digital pin .....	12
Table 5.7 Static characteristic : Analog I/O pins ( DP/DM ) .....	12
Table 5.8 Dynamic characteristic : Analog I/O pins ( DP/DM ) .....	13



# 1. Introduction

## 1.1 Description

The AU6981 USB 2.0 Flash Disk Controller is one of the best solutions for all kinds of SLC (Single-Level Cell) and MLC (Multi-Level Cell) NAND and AG-AND with multiple dies data flashes. Its high-speed read and write access performance enable users to transfer and backup data effectively. Besides, AU6981 is certified by USB-IF (USB Implementers Forum), WHQL (Window Hardware Quality Labs) and EMI tests to guarantee the quality and reliability for end-users.

The multi-function single chip AU6981 integrates build-in regulator to save the cost of customers more. It provides dual channel access and ISP (In-System Programming) technologies, which are the most important features to allow manufacturers building high performance UFD easily. It has auto-run function to prompt the designed AP automatically when plug into PC. In addition to being a removable storage device, AU6981 can also be configured as a bootable disk for system recovery.

To enhance the usefulness and manageability of UFD further, Alcor Micro develops a smart application program iStar (Partition/Password Operation Tool) as a handy utility in managing partition, password and security. Having iStar as the companion of UFD, the data in a UFD could be protected from unauthorized access successfully.

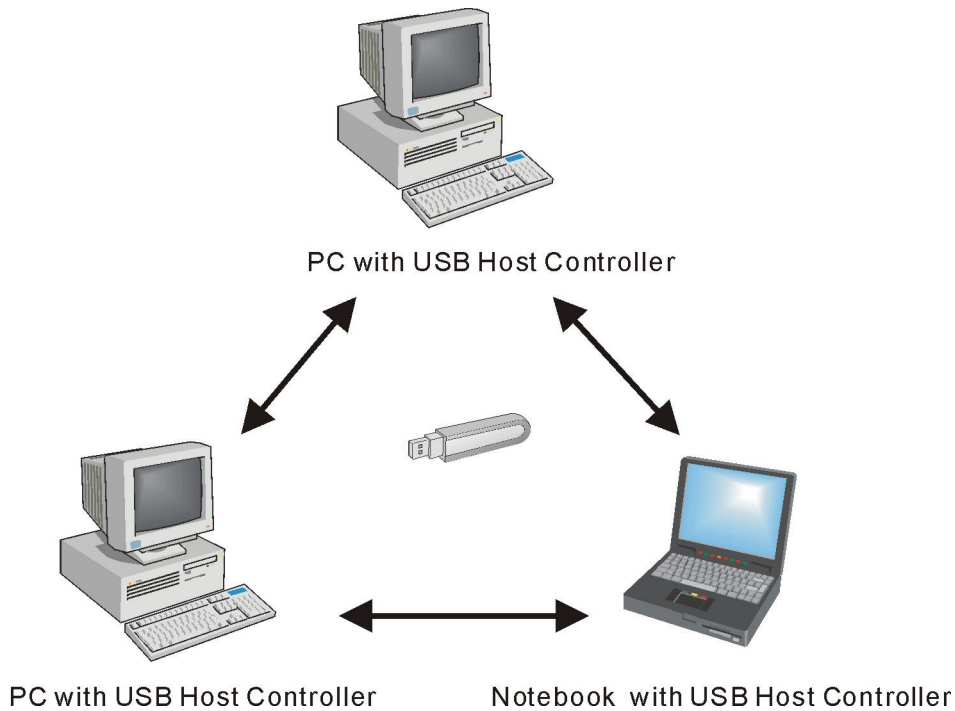
## 1.2 Features

- PCBs are pin compatible in AU6980, AU6981, AU6982.
- Integrate build-in regulator
- Supports dual channel mode for high-speed transfer
- Supports firmware upgrade mechanism (ISP, In-System Programming)
- Integrates hardware DMA engine to tune up the operation performance
- Integrates multi-bit ECC correction mechanism
- Complies with the standards defined in USB v2.0, USB Device Class Definition for Mass Storage and Bulk-Transport v1.0
- Works with default driver under the environments of Windows ME, Windows 2000, Windows XP, Mac 9.2, Mac OS X. Using Alcor Micro's vendor driver for the environment under Windows 98SE
- Concurrent bus operation using multiple FIFO for better performance
- Integrates into flash memory power control switch
- Supports bad block management
- Supports dynamic serial number modification via mass production software
- Supports software write protection
- Support Auto Run function
- Support erasable and read-only mode AP Disk
- Companion application program with UFD – iStar available for users
  - To have UFD partition management function
  - To do password protection for the security in data access
  - To guard data files with software write protection function
  - To lock up PC by UFD as the key
- Available in 48-pin LQFP 7x7mm package to support 4CE pin flash

## 2. Application Block Diagram

The following figure shows the application diagram of a typical flash disk product with AU6981. By connecting the flash disk to a desktop or notebook PC through USB bus, AU6981 is then turned into a bus-powered, high speed USB disk, which can be used as a bridge for data transfer between Desktop PC and Notebook PC.

Figure 2.1 Block Diagram



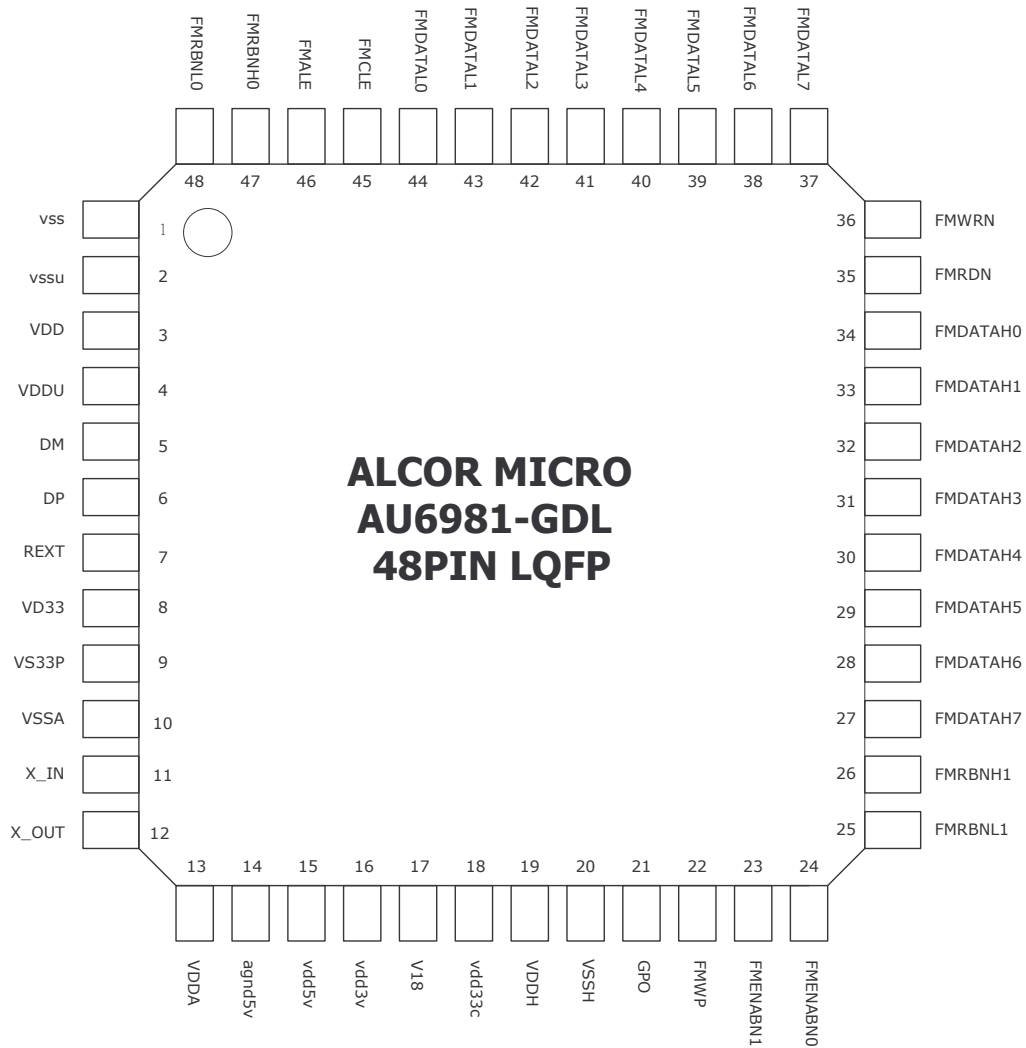




### 3. Pin Assignment

Depending on the application, the AU6981 is available in two different packages. Below figure shows signal name for each pin and the table in the page after describes each pin in detail.

Figure 3.1 AU6981-GDL Pin Assignment Diagram





**Table 3.1 AU6981-GDL Pin Descriptions**

Pin #	Pin Name	I/O	Description
1	VSS	GND	Ground
2	VSSU	GND	Ground
3	VDD	I	1.8V Power Source for Core
4	VDDU	I	1.8V Power Source for UTMI
5	DM	I/O	USB DM
6	DP	I/O	USB DP
7	REXT	I	External 330 Resister to Ground
8	VD33	I	3.3V Power Source for UTMI
9	VS33P	GND	Ground
10	VSSA	GND	Ground
11	X_IN	I	12 MHz crystal input.
12	X_OUT	O	12 MHz crystal output.
13	VDDA	I	1.8V Power Source for PLL
14	AGND5V	GND	Ground
15	AVDD5V	I	5V Power Source
16	VDD3V	O	3.3 V Power Out
17	V18	O	1.8V Power Out for Core
18	VDD33C	O	3.3V Power Out for Flash Memory
19	VDDH	I	3.3V Power Source for IO pad
20	VSSH	GND	Ground
21	OPLD	O	General Purpose OutPut
22	FMWP	I	Flash Memory Write Protect; High Active
23	FMENABN1	I/O	Flash Memory #1 Enable; Low Active
24	FMENABN0	I/O	Flash Memory #0 Enable; Low Active
25	FMRBNL1	I	Flash Memory(L1) Ready and Busy Signal (1=Ready ; 0=Busy)
26	FMRBNH1	I	Flash Memory(H1) Ready and Busy Signal (1=Ready ; 0=Busy)
27	FMDATAH7	I/O	Flash Memory DataH[7]
28	FMDATAH6	I/O	Flash Memory DataH[6]

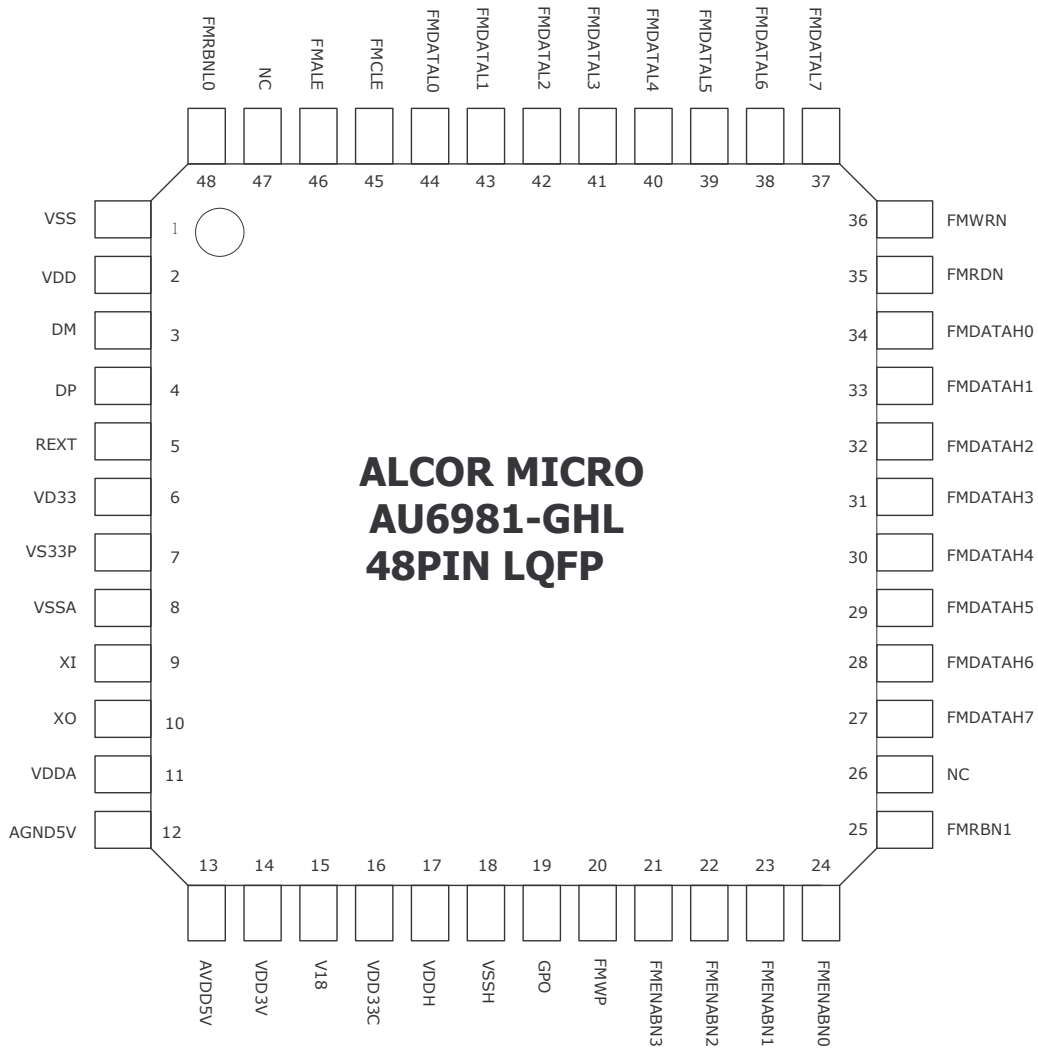


Pin #	Pin Name	I/O	Description
29	FMDATAH5	I/O	Flash Memory DataH[5]
30	FMDATAH4	I/O	Flash Memory DataH[4]
31	FMDATAH3	I/O	Flash Memory DataH[3]
32	FMDATAH2	I/O	Flash Memory DataH[2]
33	FMDATAH1	I/O	Flash Memory DataH[1]
34	FMDATAH0	I/O	Flash Memory DataH[0]
35	FMRDN	I/O	Flash Memory Read Enable; Low Active
36	FMWRN	I/O	Flash Memory Write Enable; Low Active
37	FMDATAL7	I/O	Flash Memory DataL[7]
38	FMDATAL6	I/O	Flash Memory DataL[6]
39	FMDATAL5	I/O	Flash Memory DataL[5]
40	FMDATAL4	I/O	Flash Memory DataL[4]
41	FMDATAL3	I/O	Flash Memory DataL[3]
42	FMDATAL2	I/O	Flash Memory DataL[2]
43	FMDATAL1	I/O	Flash Memory DataL[1]
44	FMDATAL0	I/O	Flash Memory DataL[0]
45	FMCLE	O	Flash Memory Command Latch Enable ;High Active
46	FMALE	O	Flash Memory Address Latch Enable; High Active;
47	FMRBNH0	I	Flash Memory(H0) Ready and Busy Signal (1=Ready ; 0=Busy)
48	FMRBNL0	I	Flash Memory(L0) Ready and Busy Signal (1=Ready ; 0=Busy)



The following figure shows signal name of each pin in 48-pin package and the table in the page after describes each pin in detail.

Figure 3.2 AU6981-GHL Pin Assignment Diagram





**Table 3.2 AU6981-GHL Pin Descriptions**

Pin #	Pin Name	I/O	Description
1	VSS	GND	Ground
2	VDD	I	1.8V Power Source for Core
3	DM	I/O	USB DM
4	DP	I/O	USB DP
5	REXT	I	External 330 Resister to Ground
6	VD33	I	3.3V Power Source for UTMI
7	VS33P	GND	Ground
8	VSSA	GND	Ground
9	XI	I	12 MHz crystal input.
10	XO	O	12 MHz crystal output.
11	VDDA	I	1.8V Power Source for PLL
12	AGND5V	GND	Ground
13	AVDD5V	I	5V Power Source
14	VDD3V	O	3.3 V Power Out
15	V18	O	1.8V Power Out for Core
16	VDD33C	O	3.3V Power Out for Flash Memory
17	VDDH	I	3.3V Power Source for IO pad
18	VSSH	GND	Ground
19	GPO	O	General Purpose OutPut
20	FMWP	I	Flash Memory Write Protect; High Active
21	FMENABN3	I/O	Flash Memory #3 Enable; Low Active
22	FMENABN2	I/O	Flash Memory #2 Enable; Low Active
23	FMENABN1	I/O	Flash Memory #1 Enable; Low Active
24	FMENABN0	I/O	Flash Memory #0 Enable; Low Active
25	FMRBN1	I	Flash Memory(L1) Ready and Busy Signal (1=Ready ; 0=Busy)
26	NC		
27	FMDATAH7	I/O	Flash Memory DataH[7]
28	FMDATAH6	I/O	Flash Memory DataH[6]
29	FMDATAH5	I/O	Flash Memory DataH[5]



Pin #	Pin Name	I/O	Description
30	FMDATAH4	I/O	Flash Memory DataH[4]
31	FMDATAH3	I/O	Flash Memory DataH[3]
32	FMDATAH2	I/O	Flash Memory DataH[2]
33	FMDATAH1	I/O	Flash Memory DataH[1]
34	FMDATAH0	I/O	Flash Memory DataH[0]
35	FMRDN	I/O	Flash Memory Read Enable; Low Active
36	FMWRN	I/O	Flash Memory Write Enable; Low Active
37	FMDATAL7	I/O	Flash Memory DataL[7]
38	FMDATAL6	I/O	Flash Memory DataL[6]
39	FMDATAL5	I/O	Flash Memory DataL[5]
40	FMDATAL4	I/O	Flash Memory DataL[4]
41	FMDATAL3	I/O	Flash Memory DataL[3]
42	FMDATAL2	I/O	Flash Memory DataL[2]
43	FMDATAL1	I/O	Flash Memory DataL[1]
44	FMDATAL0	I/O	Flash Memory DataL[0]
45	FMCLE	O	Flash Memory Command Latch Enable ;High Active
46	FMALE	O	Flash Memory Address Latch Enable; High Active;
47	NC		
48	FMRBN0	I	Flash Memory(L0) Ready and Busy Signal (1=Ready ; 0=Busy)

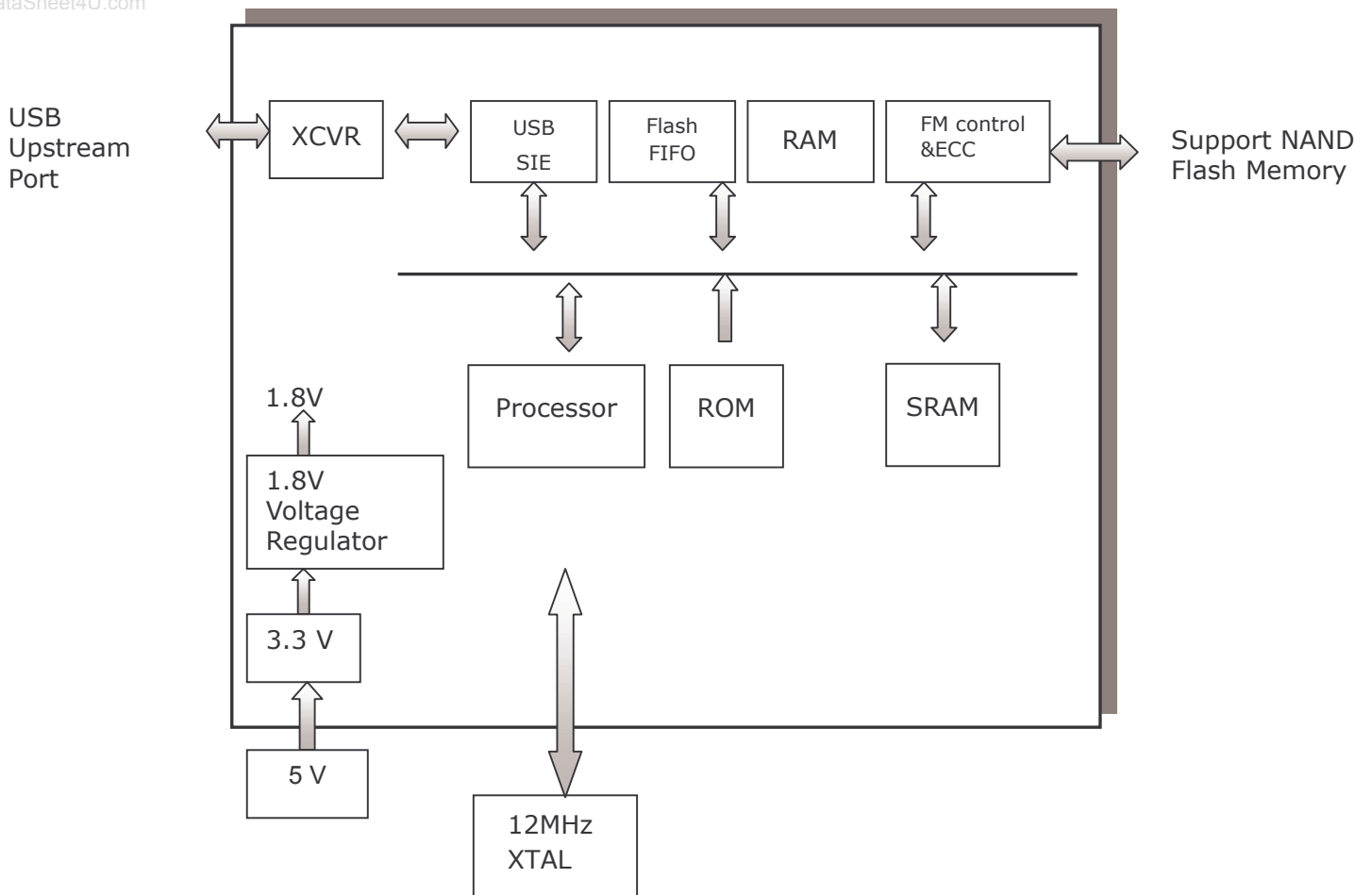


# 4. System Architecture and Reference Design

## 4.1 AU6981 Block Diagram

Figure 4.1 AU6981 Block Diagram

www.DataSheet4U.com





## 5. Electrical Characteristics

### 5.1 Absolute Maximum Ratings

**Table 5.1 Absolute Maximum Ratings**

Symbol	Parameter	Rating	Units
V <sub>DDH</sub>	Power Supply	-0.3 to V <sub>DDH</sub> +0.3	V
V <sub>IN</sub>	Input Signal Voltage	-0.3 to 3.6	V
V <sub>OUT</sub>	Output Signal Voltage	-0.3 to V <sub>DDH</sub> +0.3	V
T <sub>STG</sub>	Storage Temperature	-40 to 150	°C

### 5.2 Recommended Operating Conditions

**Table 5.2 Recommended Operating Conditions**

Symbol	Parameter	Min.	Typ.	Max.	Units
A <sub>DD</sub>	5V Power Supply	4.75	5.0	5.0	V
V <sub>DDH</sub>	Power Supply	3.0	3.3	3.6	V
V <sub>DD</sub>	Digital Supply	1.62	1.8	1.98	V
V <sub>IN</sub>	Input Signal Voltage	0	3.3	3.6	V
T <sub>OPR</sub>	Operating Temperature	0		70	°C

### 5.3 General DC Characteristics

**Table 5.3 General DC Characteristics**

Symbol	Parameter	Conditions	Min.	Typ.	Max.	Units
I <sub>IN</sub>	Input current	No pull-up or pull-down	-10	±1	10	μA
I <sub>OZ</sub>	Tri-state leakage current		-10	±1	10	μA
C <sub>IN</sub>	Input capacitance	Pad Limit		2.8		ρF
C <sub>OUT</sub>	Output capacitance	Pad Limit		2.8		ρF
C <sub>BID</sub>	Bi-directional buffer capacitance	Pad Limit		2.8		ρF





## 5.4 DC Electrical Characteristics of 3.3V I/O Cells

Table 5.4 DC Electrical Characteristics of 3.3V I/O Cells

Symbol	Parameter	Conditions	Limits			Unit
			Min.	Typ.	Max.	
$V_{DDH}$	Power supply	3.3V I/O	3.0	3.3	3.6	V
$V_{il}$	Input low voltage	LVTTTL			0.8	V
$V_{ih}$	Input high voltage		2.0			V
$V_{ol}$	Output low voltage	$ I_{ol}  = 2 \sim 16\text{mA}$			0.4	V
$V_{oh}$	Output high voltage	$ I_{oh}  = 2 \sim 16\text{mA}$	2.4			V
$R_{pu}$	Input pull-up resistance	PU=high, PD=low	55	75	110	$K\Omega$
$R_{pd}$	Input pull-down resistance	PU=low, PD=high	40	75	150	$K\Omega$
$I_{in}$	Input leakage current	$V_{in} = V_{DDH}$ or 0	-10	$\pm 1$	10	$\mu A$
$I_{oz}$	Tri-state output leakage current		-10	$\pm 1$	10	$\mu A$

## 5.5 USB Transceiver Characteristics

Table 5.5 Electrical characteristics

Symbol	Parameter	Conditions	Min.	Typ.	Max.	Unit
VD33	Analog supply Voltage		3.0	3.3	3.6	V
VDDU VDDA	Digital supply Voltage		1.62	1.8	1.98	V
$I_{CC}$	Operating supply current	High speed operating at 480 MHz			55	mA
$I_{CC(susp)}$	Suspend supply current	In suspend mode, current with $1.5k\Omega$ pull-up resistor on pin RPU disconnected			120	$\mu A$

**Table 5.6 Static characteristic : Digital pin**

Symbol	Parameter	Conditions	Min.	Typ.	Max.	Unit
Input levels						
V <sub>IL</sub>	Low-level input voltage				0.8	V
V <sub>IH</sub>	High-level input voltage		2.0			V
Output levels						
V <sub>OL</sub>	Low-level output voltage				0.2	V
V <sub>OH</sub>	High-level output voltage		VDDH-0.2			V

VD33=3.0V~3.6V ; VDDU,VDDA=1.62V~1.98V ; Temp=0°C~70°C

**Table 5.7 Static characteristic : Analog I/O pins ( DP/DM )**

Symbol	Parameter	Conditions	Min.	Typ.	Max.	Unit
USB2.0 Transceiver ( HS )						
Input Levels ( differential receiver )						
V <sub>HSDIFF</sub>	High speed differential input sensitivity	$ V_{I(DP)} - V_{I(DM)} $ measured at the connection as application circuit	300			mV
V <sub>HSCM</sub>	High speed data signaling common mode voltage range		-50		500	mV
V <sub>HSSQ</sub>	High speed squelch detection threshold	Squelch detected			100	mV
		No squelch detected	150			mV
V <sub>HSDSC</sub>	High speed disconnection detection threshold	Disconnection detected	625			mV
		Disconnection not detected			525	mV
Output Levels						
V <sub>HSOI</sub>	High speed idle level output voltage(differential)		-10		10	mV
V <sub>HSOL</sub>	High speed low level output voltage(differential)		-10		10	mV
V <sub>HSHO</sub>	High speed high level output voltage(differential)		-360		400	mV
V <sub>CHIRPJ</sub>	Chirp-J output voltage ( differential )		700		1100	mV
V <sub>CHIRPK</sub>	Chirp-K output voltage ( differential )		-900		-500	mV
Resistance						



R <sub>DRV</sub>	Driver output impedance	Equivalent resistance used as internal chip only	3	6	9	Ω
		Overall resistance including external resistor	40.5	45	49.5	
Termination						
V <sub>TERM</sub>	Termination voltage for pull-up resistor on pin RPU		3.0		3.6	V
USB1.1 Transceiver (FS/LS)						
Input Levels (differential receiver)						
V <sub>DI</sub>	Differential input sensitivity	$ V_{I(DP)} - V_{I(DM)} $	0.2			V
V <sub>CM</sub>	Differential common mode voltage		0.8		2.5	V
Input Levels (single-ended receivers)						
V <sub>SE</sub>	Single ended receiver threshold		0.8		2.0	V
Output levels						
V <sub>OL</sub>	Low-level output voltage		0		0.3	V
V <sub>OH</sub>	High-level output voltage		2.8		3.6	V

VD33=3.0V~3.6V ; VDDU,VDDA=1.62V~1.98V ; Temp=0°C~70°C

**Table 5.8 Dynamic characteristic : Analog I/O pins (DP/DM)**

Symbol	Parameter	Conditions	Min.	Typ.	Max.	Unit
Driver Characteristics						
High-Speed Mode						
t <sub>HSR</sub>	High-speed differential rise time		500			ps
t <sub>HSF</sub>	High-speed differential fall time		500			ps
Full-Speed Mode						
t <sub>FR</sub>	Rise time	CL=50pF ; 10 to 90% of $ V_{OH}-V_{OL} $ ;	4		20	ns
t <sub>FF</sub>	Fall time	CL=50pF ; 90 to 10% of $ V_{OH}-V_{OL} $ ;	4		20	ns
t <sub>FRMA</sub>	Differential rise/fall time matching ( t <sub>FR</sub> / t <sub>FF</sub> )	Excluding the first transition from idle mode	90		110	%
V <sub>CRS</sub>	Output signal crossover voltage	Excluding the first transition from idle mode	1.3		2.0	V
Low-Speed Mode						
t <sub>LR</sub>	Rise time	CL=200pF-600pF ; 10 to 90% of $ V_{OH}-V_{OL} $ ;	75		300	ns

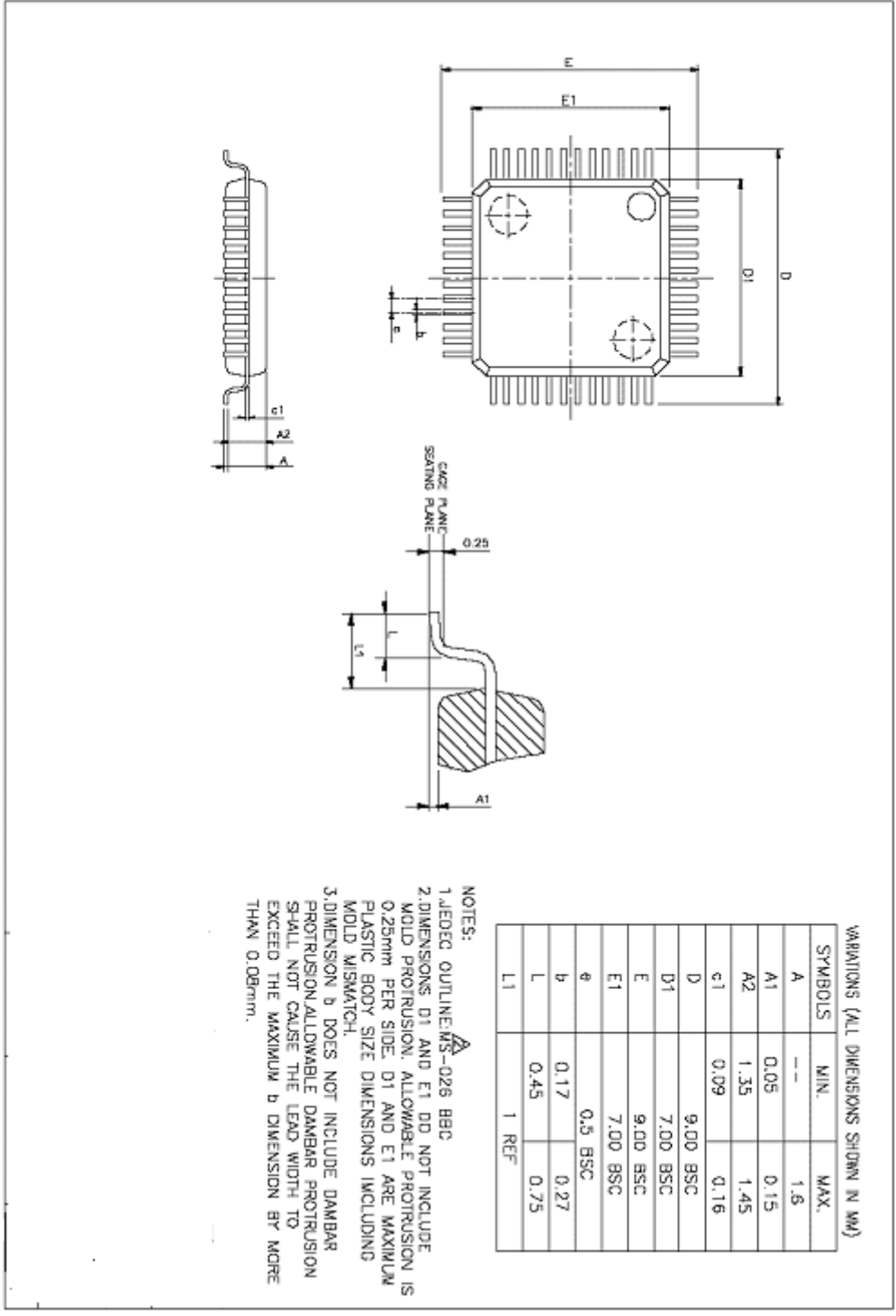


$t_{LF}$	Fall time	CL=200pF-600pF ; 90 to 10% of $ V_{OH}-V_{OL} $ ;	75		300	ns
$t_{LRMA}$	Differential rise/fall time matching ( $t_{LR} / t_{LF}$ )	Excluding the first transition from idle mode	80		125	%
$V_{CRS}$	Output signal crossover voltage	Excluding the first transition from idle mode	1.3		2.0	V
$V_{OH}$	High-level output voltage		2.8		3.6	V

www.DataSheet4U.com

# 6. Mechanical Information

Figure 6.1 Mechanical Information Diagram





## 7. Abbreviations

In this chapter some of the terms and abbreviations used throughout the technical reference manual are listed as follows.

<b>DC Electrical</b>	Direct Current Electrical
<b>PLL</b>	Phase Lock Loop, which is a closed-loop frequency control system.
<b>ECC</b>	Error Checking and Correcting
<b>XTAL</b>	Crystal
<b>UFD</b>	USB Flash Disk
<b>iStar</b>	Partition/Password Operation Tool - the smart application program developed by Alcor Micro as a companion handy tool for managing the UFD.

## About Alcor Micro, Corp.

Alcor Micro, Corp. designs, develops and markets highly integrated and advanced peripheral semiconductor, and software driver solutions for the personal computer and consumer electronics markets worldwide. We specialize in USB solutions and focus on emerging technology such as USB and IEEE 1394. The company offers a range of semiconductors including controllers for USB hub, integrated keyboard/USB hub and USB Flash memory card reader...etc. Alcor Micro, Corp. is based in Taipei, Taiwan, with sales offices in Taipei, Japan, Korea and California. Alcor Micro is distinguished by its ability to provide innovative solutions for spec-driven products. Innovations like single chip solutions for traditional multiple chip products and on-board voltage regulators enable the company to provide cost-efficiency solutions for the computer peripheral device OEM customers worldwide.