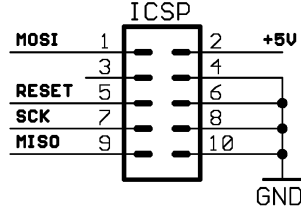


AVR-PG1B (SERIAL PORT) 10 PIN ICSP AVR MICROCONTROLLER PROGRAMMER

Features:

AVR-P1B is low cost serial port programmer for AVR microcontrollers with following features:

- Connects to RS232 port
- Uses target board power supply so no need for external power supply



Programming:

AVR-PG1B works with PonyProg software by from Claudio Lanconelli and the latest release may be download for free from <http://www.lancos.com>

ICSP interface:

The ICSP connector is 2x5 pin with 0,1" step and Atmel STKxxx compatible layout. The PIN.1 is marked with square pad on bottom and arrow on top. ICSP signals are: 1- MOSI, 2- VCC, 3- NC, 4- GND, 5- RST, 6- GND, 7- SCK, 8- GND, 9- MISO, 10- GND

ICSP TOP view PCB board layout:

RS232 interface:

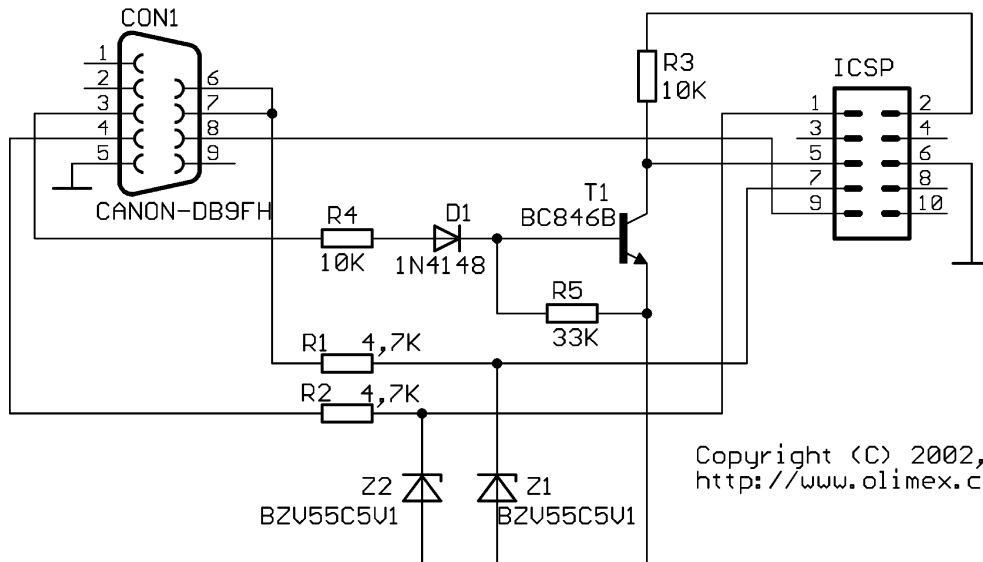
Your RS232 cable must provide the following signals for properly operation of AVR-PG1B: Tx, Rx, CTS, DTR, RTS, GND.

Supported devices:

Current supported devices by PonyProg are:
 AT90S1200, AT90S2313, AT90S2323,
 AT90S2343, AT90S4414, AT90S4434,
 AT90S8515, AT90S8535, AT90S2323,
 AT90S2343, AT90S2333, AT90S4433,
 AT90S4434, AT90S8535, AT90S8534,
 ATmega103, ATmega161, ATmega163,
 ATmega323, ATmega128, ATmega8,
 ATmega16, ATmega64, ATtiny12 and ATtiny15

Ordering codes:

AVR-PG1B - assembled and tested



Copyright (C) 2002, OLIMEX Ltd
<http://www.olimex.com/dev>

Copyright(c) 2002, OLIMEX Ltd, All rights reserved.
 Development boards for PIC, AVR and MSP430 microcontrollers <http://www.olimex.com/dev>