

FEATURES

- High Isolation: >20 dB
- Low Insertion Loss: 0.6 dB at 2 GHz
- Low Control Voltage Operation: to +2.5 V
- Low Harmonic Levels
- Low Profile Surface Mount Package

APPLICATIONS

- CDMA Wireless Handsets



PRODUCT DESCRIPTION

The AWS5534 is a single pole, three throw (SP3T) RF switch developed for CDMA applications; specifically, highly symmetric single-tone desensitivity performance. Manufactured in ANADIGICS's state-of-the-art pHEMT process, the

device uses patented circuit topologies to provide low insertion loss, high port-to-port isolation, and high linearity needed to enhance the performance of CDMA radios. The AWS5534 is offered in a 12-lead 3 mm x 3 mm MLF package.

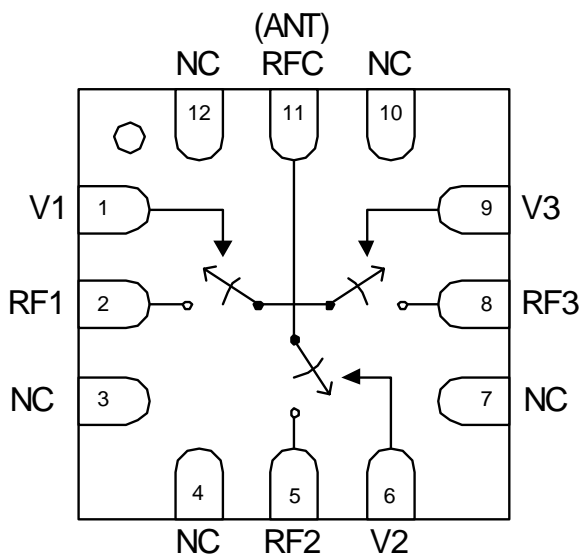


Figure 1: Block Diagram

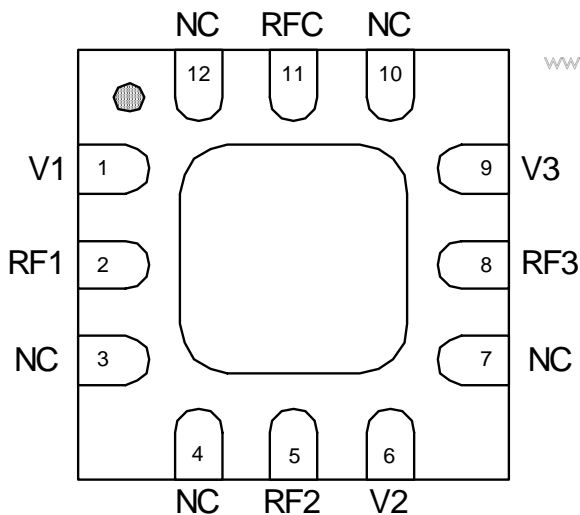


Figure 2: Pinout (X-ray Top View)

Table 1: Pin Description

PIN	NAME	DESCRIPTION
1	V1	Control Voltage, RF Path 1
2	RF1	RF Port, Path 1
3	NC	No Connection ⁽¹⁾
4	NC	No Connection ⁽¹⁾
5	RF2	RF Port, Path 2
6	V2	Control Voltage, RF Path 2
7	NC	No Connection ⁽¹⁾
8	RF3	RF Port, Path 3
9	V3	Control Voltage, RF Path 3
10	NC	No Connection ⁽¹⁾
11	RFC	RF Common Port
12	NC	No Connection ⁽¹⁾

Notes:

(1) Pins 3, 4, 7, 10 and 12 are not connected in the package. It is recommend that these pins be grounded, but is not necessary.

ELECTRICAL CHARACTERISTICS

Table 2: Absolute Minimum and Maximum Ratings www.DataSheet4U.com

PARAMETER	MIN	MAX	UNIT
Control Voltages (V_1, V_2, V_3)	-	+10.0	V
RF Input Power (P_{IN}) ⁽¹⁾	-	10	W
Storage Temperature (T_{STG})	-65	+150	°C

Stresses in excess of the absolute ratings may cause permanent damage. Functional operation is not implied under these conditions. Exposure to absolute ratings for extended periods of time may adversely affect reliability.

Notes:

(1) at RF1, RF2, RF3, and RFC

Table 3: Operating Ranges

PARAMETER	MIN	TYP	MAX	UNIT	COMMENTS
RF Frequency (f)	0.5	-	2.5	GHz	
Control Voltages (V_1, V_2, V_3)	-0.2 +2.5	- -	+0.2 +5	V	RF path OFF state RF path ON state
Ambient Temperature (T_A)	-30	-	+85	°C	

The device may be operated safely over these conditions; however, parametric performance is guaranteed only over the conditions defined in the electrical specifications.

Table 4: Electrical Specifications

($T_A = +25\text{ }^\circ\text{C}$, RF ports terminated with $50\ \Omega$, $V_n = +2.7\text{ V}$ and is the Control Voltage for the ON path, RFC-RF $_n$; $V_x = 0\text{ V}$ and is the Control Voltage for the other two OFF paths, RFC-RF $_x$)

PARAMETER	MIN	TYP	MAX	UNIT	COMMENTS
Insertion Loss 1 GHz 2 GHz	- -	0.45 0.6	0.6 0.7	dB	RFC port to selected RF $_n$ port
Return Loss ⁽¹⁾ 1 GHz 2 GHz	- -	-25 -22	-22 -20	dB	RFC port to selected RF $_n$ port
Isolation 1 GHz 2 GHz	23 18	26 20	- -	dB	RFC port to isolated RF $_x$ port
Input Third Order Intercept ⁽²⁾ 800 MHz Cellular band 1900 MHz PCS Band	- -	+68 +66	- -	dBm	RFC port to selected RF $_n$ port
Cross Modulation ⁽³⁾ 800 MHz Cellular Band 1900 MHz PCS Band	- -	-105 -108	- -	dBm	RFC port to selected RF $_n$ port
2nd Harmonic Suppression 837 MHz 1880 MHz	- -	-81 -86	- -	dBc	RFC port to selected RF $_n$ port $P_{IN} = +25.5\text{ dBm}$ $P_{IN} = +24\text{ dBm}$
3rd Harmonic Suppression 837 MHz 1880 MHz	- -	-79 -82	- -	dBc	RFC port to selected RF $_n$ port $P_{IN} = +25.5\text{ dBm}$ $P_{IN} = +24\text{ dBm}$
Current Consumption	-	-	30	μA	each V_n port

Notes:

(1) Isolated RF $_x$ ports have a return loss of approximately -0.3 dB.

(2) For the Cellular Band, two tones with $P_{IN} = +22.5\text{ dBm}$ each, at 837 and 838 MHz. For the PCS Band, two tones with $P_{IN} = +21\text{ dBm}$ each, at 1880 and 1881 MHz.

(3) For the Cellular Band, one CW interferer at 881.5 MHz with -23 dBm power, and one modulated transmit signal at 849 MHz with +25.5 dBm power. For the PCS Band, one CW interferer at 1960 MHz with -23 dBm power, and one modulated transmit signal at 1910 MHz with +24 dBm power.

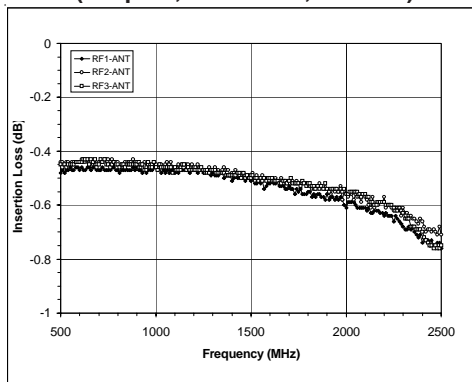
Table 5: Switch Control Truth Table

CONTROL VOLTAGE			RF PATH SELECTION		
V_1	V_2	V_3	RFC - RF1	RFC - RF2	RFC - RF3
+2.5 to +5 V	-0.2 to +0.2 V	-0.2 to +0.2 V	ON	OFF	OFF
-0.2 to +0.2 V	+2.5 to +5 V	-0.2 to +0.2 V	OFF	ON	OFF
-0.2 to +0.2 V	-0.2 to +0.2 V	+2.5 to +5 V	OFF	OFF	ON

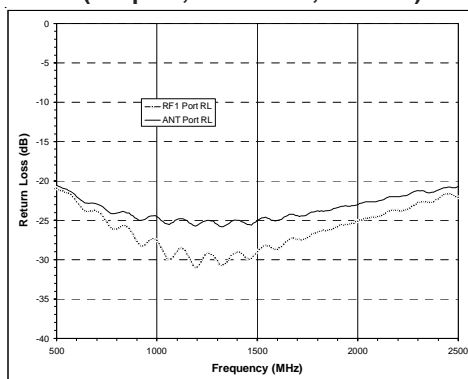
PERFORMANCE DATA

www.DataSheet4U.com

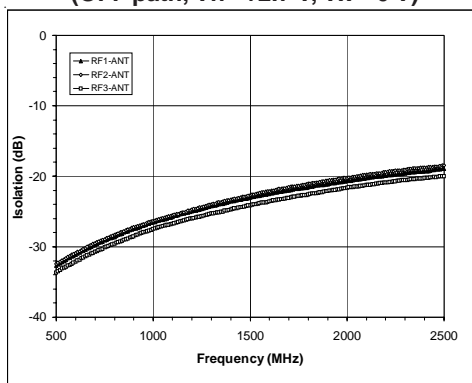
**Figure 3: Insertion Loss vs. Frequency
(ON path, $V_n = +2.7\text{ V}$, $V_x = 0\text{ V}$)**



**Figure 4: Return Loss vs. Frequency
(ON path, $V_n = +2.7\text{ V}$, $V_x = 0\text{ V}$)**



**Figure 5: Isolation vs. Frequency
(OFF path, $V_n = +2.7\text{ V}$, $V_x = 0\text{ V}$)**



APPLICATION INFORMATION

Circuit Applications

External component requirements for the AWS5534 are shown in Figure 6. Application details are listed in the following notes:

1. C_b are DC blocking capacitors external to the device. A value of 100 pF is sufficient for operation to 500 MHz. The values may be tailored to provide specific electrical responses.

2. L_{ESD} provides a means to increase the ESD protection on a specific RF port, typically the port attached to the antenna. By using L_{ESD} as an RF choke on an RF port, an ESD protection to ±12 kV contact discharge has been demonstrated.

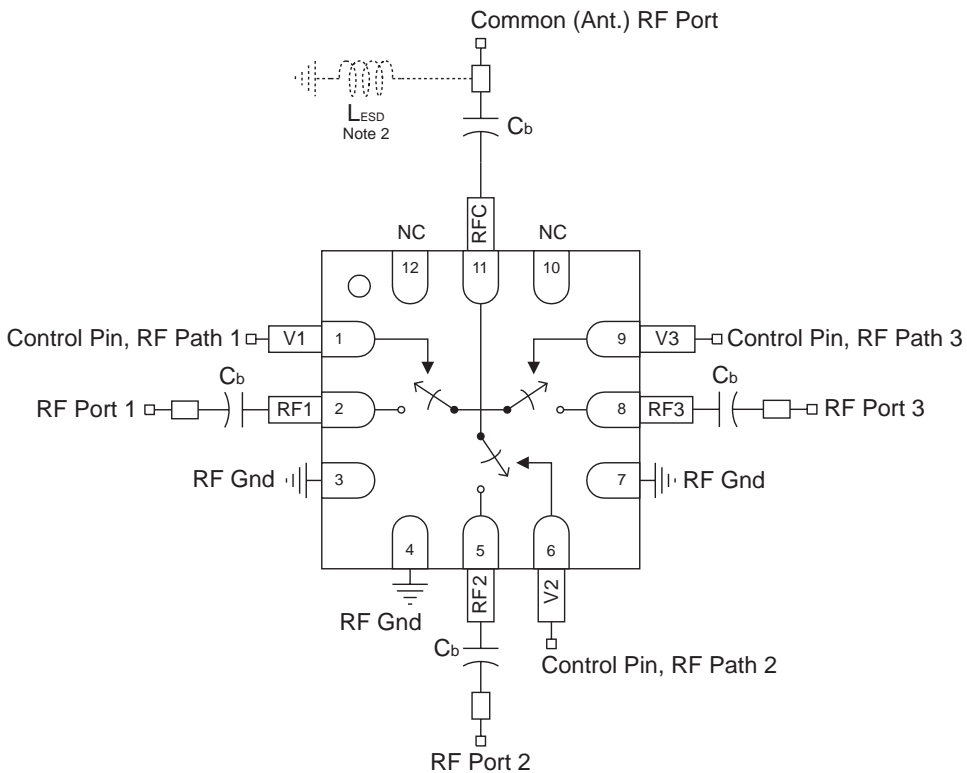
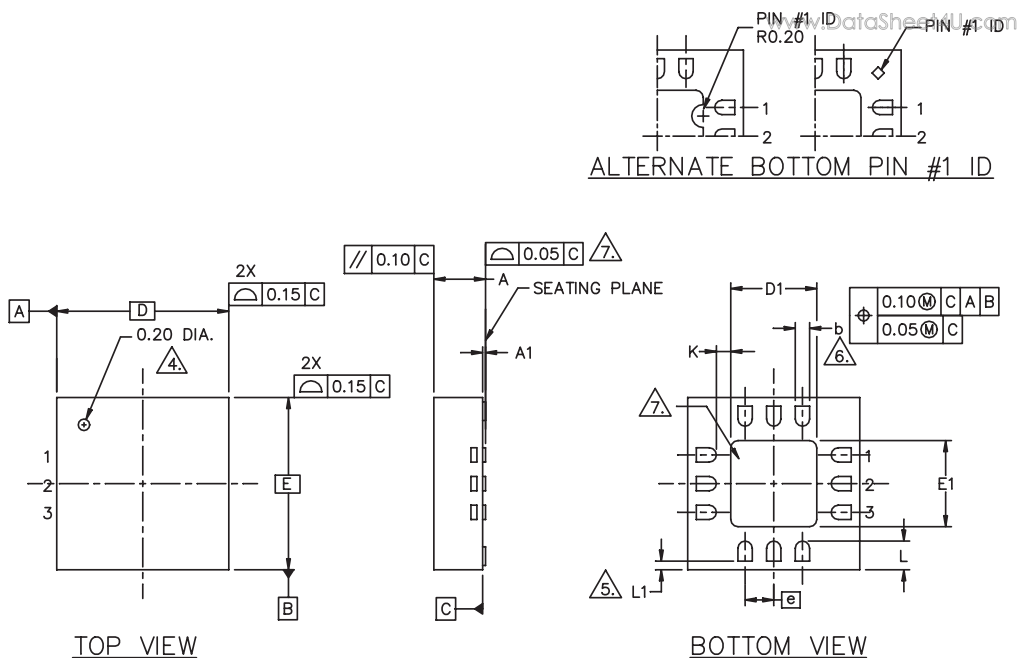


Figure 6: Application Schematic

PACKAGE OUTLINE



NOTES :

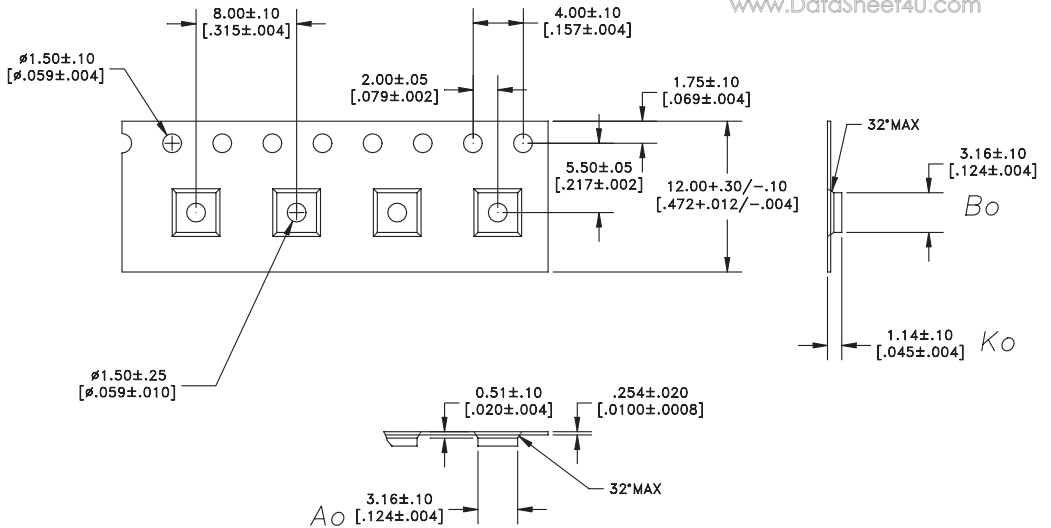
1. ALL DIMENSIONS ARE IN MILLIMETERS.
2. MAX. PACKAGE WARPAGE IS 0.05 mm.
3. MAXIMUM ALLOWABLE BURRS IS 0.076 mm IN ALL DIRECTIONS.

4. PIN #1 ID ON TOP WILL BE LASER MARKED.
5. A MAXIMUM 0.15mm PULL BACK (L1) MAYBE PRESENT. L MINUS L1 TO BE EQUAL TO OR GREATER THAN 0.30mm.
6. DIMENSION b APPLIES TO METALLIZED TERMINAL AND IS MEASURED BETWEEN 0.15 AND 0.30mm FROM TERMINAL TIP. IF THE TERMINAL HAS THE OPTIONAL RADIUS ON THE OTHER END OF THE TERMINAL, THE DIMENSION b SHOULD NOT BE MEASURED IN THAT RADIUS AREA.
7. BILATERAL COPLANARITY ZONE APPLIES TO THE EXPOSED HEAT SINK SLUG AS WELL AS THE TERMINALS.
8. REFERENCE JEDEC OUTLINE MO-220.

SYMBOL	DIMENSIONS—MM		SYMBOL	DIMENSIONS—INCHES	
	MIN.	MAX.		MIN.	MAX.
A	0.80	1.00	A	0.031	0.039
A1	0.00	0.05	A1	0.000	0.001
b	0.18	0.30	b	0.007	0.011
D	3.00 BSC		D	0.118 BSC	
D1	1.30	1.70	D1	0.051	0.067
E	3.00 BSC		E	0.118 BSC	
E1	1.30	1.70	E1	0.051	0.067
Ⓢ	0.50 BSC		Ⓢ	0.019 BSC	
K	0.20 MIN.		K	0.007 MIN.	
L	0.35	0.55	L	0.014	0.022
L1	0.15 MAX.		L1	0.006 MAX.	

Figure 7: S26 Package Outline - 12 Pin 3mm x 3mm MLF

COMPONENT PACKAGING



NOTES:

- 1. MATERIAL: 3000 (CARBON FILLED POLYCARBONATE)
100% RECYCLABLE.

Figure 8: Tape & Reel Packaging

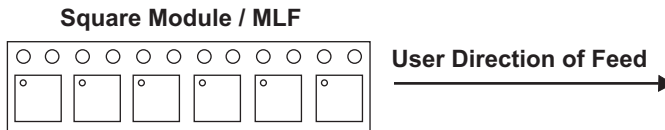


Figure 9: Tape & Reel Package Orientation

Table 6: Tape & Reel Dimensions

PACKAGE TYPE	TAPE WIDTH	POCKET PITCH	REEL CAPACITY	MAX REEL DIA
3mm X 3mm	12mm	8mm	1000	7"

NOTES

www.DataSheet4U.com

NOTES

www.DataSheet4U.com

ORDERING INFORMATION

ORDER NUMBER	TEMPERATURE RANGE	PACKAGE DESCRIPTION	www.DataSheet4U.com COMPONENT PACKAGING
AWS5534S26	-30 °C to +85 °C	12 Pin 3mm x 3mm MLF	Tape and Reel

**ANADIGICS, Inc.**

141 Mount Bethel Road
Warren, New Jersey 07059, U.S.A.

Tel: +1 (908) 668-5000

Fax: +1 (908) 668-5132

URL: <http://www.anadigics.com>

E-mail: Mktg@anadigics.com

IMPORTANT NOTICE

ANADIGICS, Inc. reserves the right to make changes to its products or to discontinue any product at any time without notice. The product specifications contained in Advanced Product Information sheets and Preliminary Data Sheets are subject to change prior to a product's formal introduction. Information in Data Sheets have been carefully checked and are assumed to be reliable; however, ANADIGICS assumes no responsibilities for inaccuracies. ANADIGICS strongly urges customers to verify that the information they are using is current before placing orders.

WARNING

ANADIGICS products are not intended for use in life support appliances, devices or systems. Use of an ANADIGICS product in any such application without written consent is prohibited.

www.DataSheet4U.com