

AX1012

AX1012

RS232 to RS422/485 converter for AEpacks

Installation sheet

GENERAL

The AX1012 is a RS232 to RS422/RS485 converter, intended to connect external readers using RS422 or 485 to AEpacks (using RS232). Both RS422 and RS485 are **NON**-isolated.

The AX1012 is mounted on the RS232 connector points of the corresponding AEpack. Power supply (+5VDC) for the AX1012 is connected by a separate wire from the AX1012 to the AEpack. Connection point for the +5V power supply differs per type AEpack (check always the AEpack installation sheet for detailed information).

RS422 or RS485 selection is made by a jumper.

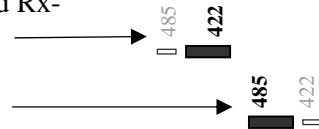
Remark: For integrating AEOS with XS-Accessors **always** use the AX1011 (connected to AP1003)

CONNECTIONS AX1012

Place the AX1012 at the RS232 connector-points of the AEpack and connect the power-supply lead to the correct connector of this AEpack (AEpack depending!)

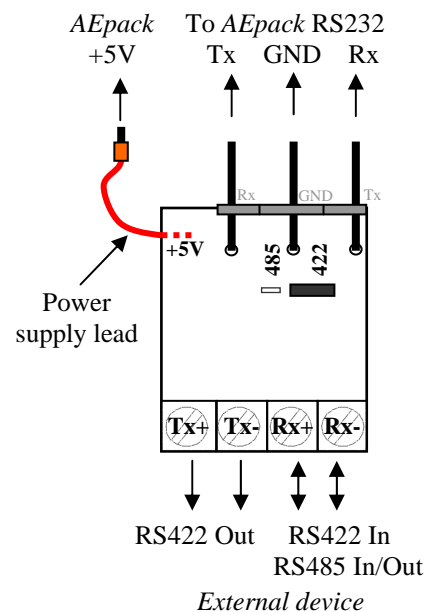
RS422: Use Tx+, Tx-, Rx+ and Rx-
Set jumper to RS422

RS485: Use only Rx+ and Rx-
Set jumper to RS485



Peripheral connections:

RS422		RS485	
AX1012	Device	AX1012	Device
Tx+	Rx+	-	-
Tx-	Rx-	-	-
Rx+	Tx+	Rx+	A
Rx-	Tx-	Rx-	B

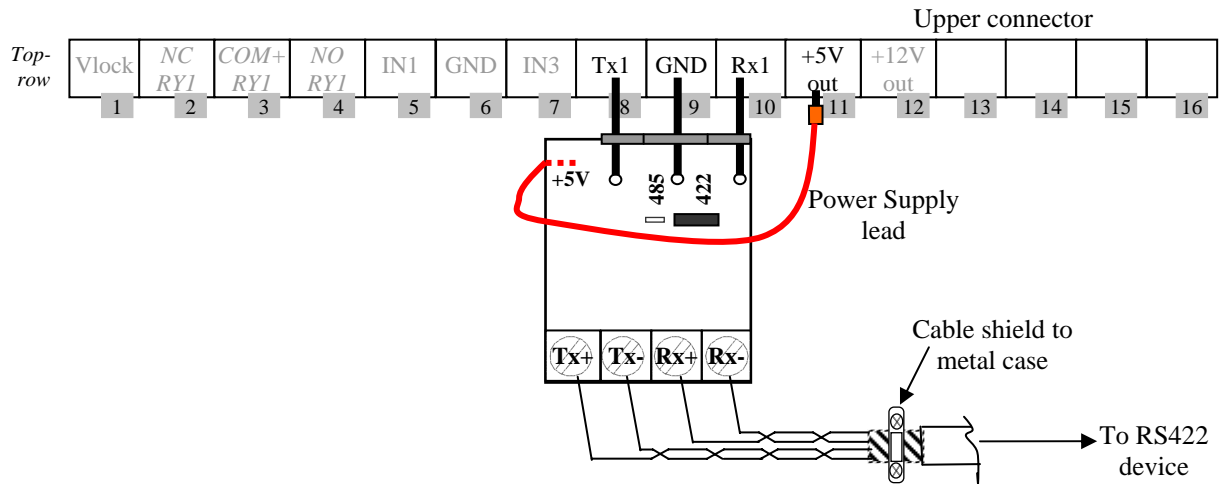


JUMPER SETTINGS: RS422 or RS485 can be selected

CABLE SHIELDING: Use always shielded cables: cable shield must be connected to protective ground.

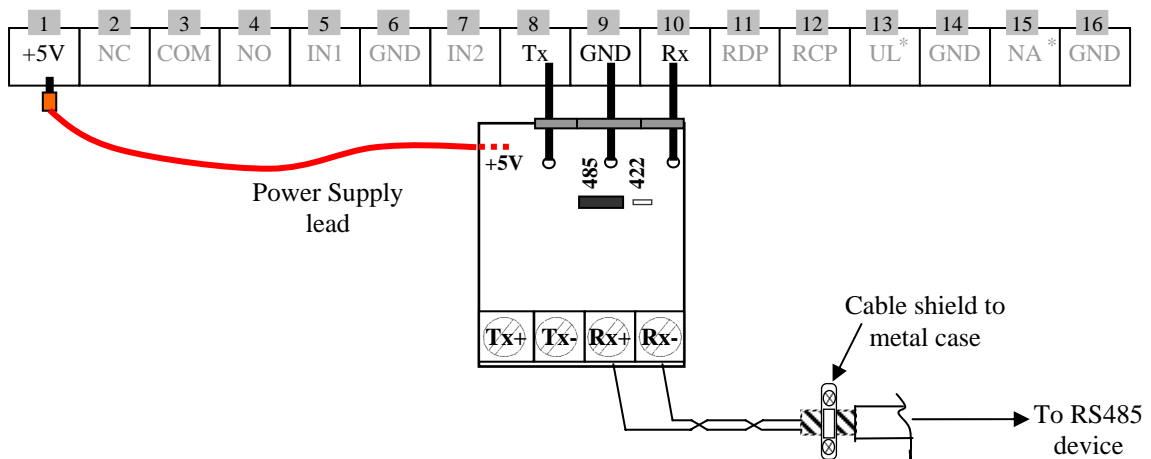
CONNECTIONS AX1012 TO AP1000 series (AP1001, AP1002, AP1003, AP1005, AP1007)

See also the corresponding Installation sheet (AP1003 connection shown below as verification device)



CONNECTIONS AX1012 TO AP4x03

See also the corresponding Installation sheet.



SPECIFICATIONS AX1012 (Product nr. 7818785)

Dimensions:	35 x 23 x 14 mm	Weight:	± 10 gr
Environment:	Temperature: Operating: 0 – 55 °C, Storage: -30 – 65 °C	Relative humidity:	10 – 93% non condensing
Power supply:	+5VDC ±10% max 10mA		
Inputs:	RS232 (Tx, Rx, GND) from AEpack		
Outputs:	RS422 Non-isolated (Tx+, Tx-, Rx+, Rx-)		
	RS485 Non-isolated (A, B)		

CABLE SPECIFICATIONS

RS422	2 x 2 x 0,25mm ² shielded (twisted pair), max cable length: 1000 meter
RS485	1 x 2 x 0,25mm ² shielded (twisted pair), max cable length: 1000 meter

MORE INFORMATION: For more detailed information contact your local Nedap supplier or check the internet site.