

2A Ultra Low Dropout Linear Regulator

❖ GENERAL DESCRIPTION

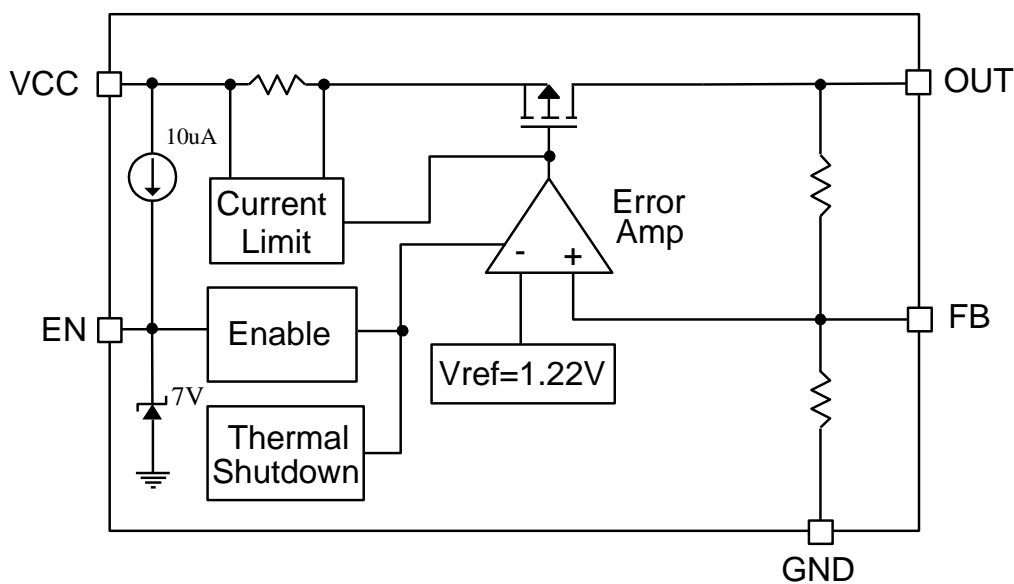
The AX1205 is a low-dropout voltage regulator suitable for various electronic equipments. It provides constant voltage power source. The dropout voltage of AX1205 is below 0.3V in full rated current (2A). This regulator has various functions such as a peak current protection, a thermal shut down, a short circuit protect.

The AX1205 is available in SOP-8L power package which features small size to reduce the junction-to-case resistance, being applicable in 0.1~1.6W applications.

❖ FEATURES

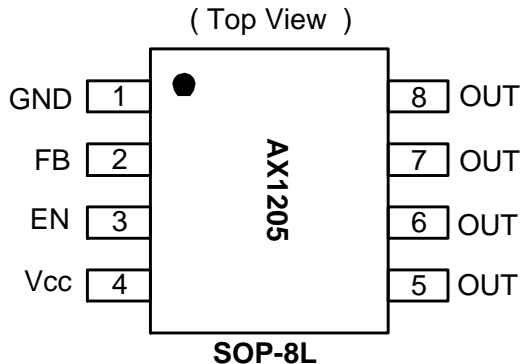
- Ultra Low Dropout - 0.3V(typical) at 2A Output Current
- Adjustable mode: 1.22V Reference Voltage
- Fixed mode: 2.5V, 3.3V, 5V output voltage
- Operating voltage can be up to 12V.
- Current-Limit and Thermal Shutdown Protection
- Short circuit protection, Enable function.
- Built-in internal SW P-channel MOS
- SOP-8L Pb-Free Package.

❖ BLOCK DIAGRAM



❖ PIN ASSIGNMENT

The package of AX1205 is SOP-8L; the pin assignment is given by:



Name	Description
FB	Feedback pin
EN	Enable input, it is pull-high typically. Drive EN high or floating to turn on the regulator, driver it low to turn it off.
VCC	IC power supply pin
OUT	Output Voltage pin
GND	Ground pin

❖ ORDER/MARKING INFORMATION

Order Information	
AX1205 X XX X Package Vout Packing S : SOP-8L Blank : Adj Blank : Tube 25 = 2.5V A : Taping 33 = 3.3V 50 = 5.0V	
Top Marking	
ADJ Version Logo ← AX 1 2 0 5 → Part number YY WW X → ID code:internal → WW:01~52 → Year: 10=2010 11=2011	FIXED Version (V _{OUT} =3.3V) Logo ← AX 1 2 0 5 → Part number - 3 3 → Output voltage YY WW X → ID code:internal → WW:01~52 → Year: 10=2010 11=2011

❖ ABSOLUTE MAXIMUM RATINGS (T_A=25°C)

Characteristics	Symbol	Rating	Unit
V _{CC} Supply Voltage	V _{CC}	-0.3 to 16	V
EN Pin Voltage	V _{EN}	-0.3 to 7	V
FB Pin Voltage	V _{FB}	-0.3 to V _{CC} +0.3	V
Output current	I _o	2.5	A
Power Dissipation	PD	1.6	W
Storage Temperature Range	T _{ST}	-65 to +150	°C
Junction Temperature Range	T _J	-40 to 125	°C
Operating Temperature Range	T _{OP}	-40 to +85	°C
Thermal Resistance from Junction to case	θ _{JC}	20	°C/W
Thermal Resistance from Junction to ambient	θ _{JA}	60	°C/W

Note: θ_{JA} is measured with the PCB copper area(need connect to OUT pin) of approximately 1.5 in² (Multi-layer).

❖ ELECTRICAL CHARACTERISTICS

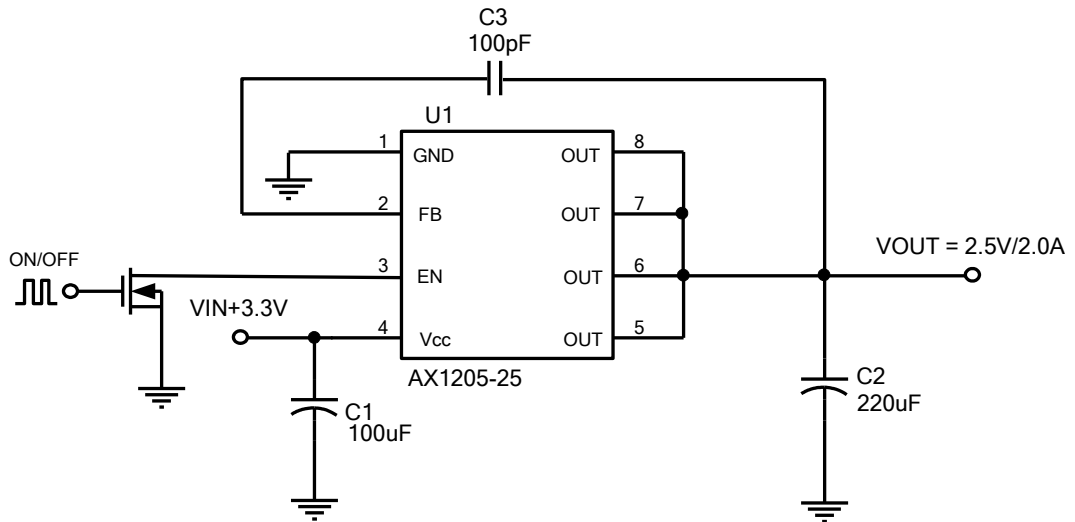
(Unless otherwise specified, $T_A=25^{\circ}\text{C}$, $V_{CC}=5\text{V}$)

Characteristics	Symbol	Conditions	Min	Typ	Max	Units
V _{CC} Supply Voltage	V _{CC}	I _{OUT} =2A	3.1	-	12	V
Feedback Voltage	V _{FB}	I _{OUT} =10mA, V _{CC} =5.0V	1.196	1.22	1.244	V
Output Voltage	V _{OUT}	I _{OUT} =10mA, V _{CC} =3.2V	2.45	2.5	2.55	V
		I _{OUT} =10mA, V _{CC} =4.0V	3.234	3.3	3.366	
		I _{OUT} =10mA, V _{CC} =5.5V	4.90	5.0	5.10	
GND Current	I _{GND}	I _{OUT} = 0~2A	-	1.2	3	mA
Shutdown Current	I _{SD}	V _{EN} =0V	-	0.1	0.4	mA
Load regulation	V _{Load}	5mA < I _{OUT} < 2A	-	0.5	1.5	%
Line regulation	V _{Line}	I _{OUT} =10mA, V _{OUT} +0.5V<V _{CC} < 12V	-	0.1	0.5	%
Ripple rejection ratio	PSRR	Note1	-	65	-	dB
Dropout Voltage	V _{DROP}	I _{OUT} = 2A, V _{OUT} =3.3V	-	0.3	0.4	V
		I _{OUT} = 2A, V _{OUT} =5V	-	0.2	0.3	
Short circuit protect	I _{scp}	V _{OUT} <20%	-	0.6	-	A
Current Limit	CL		2.2	-	-	A
EN Pin Logic input threshold voltage	V _{ENH}	High (regulator ON)	2.0	-	-	V
	V _{ENL}	Low (regulator OFF)	-	-	0.8	V
EN Pin Input Current	I _{ENH}	V _{EN} =2.5V (ON)	-	20	-	uA
	I _{ENL}	V _{EN} =0.3V (OFF)	-	-10	-	uA
Internal MOSFET RDSON	R _{DSON}	V _{CC} =3.5V,	-	150	180	mΩ
		V _{CC} =5V,	-	100	120	
Thermal Shutdown	T _{SD}		-	140	-	°C

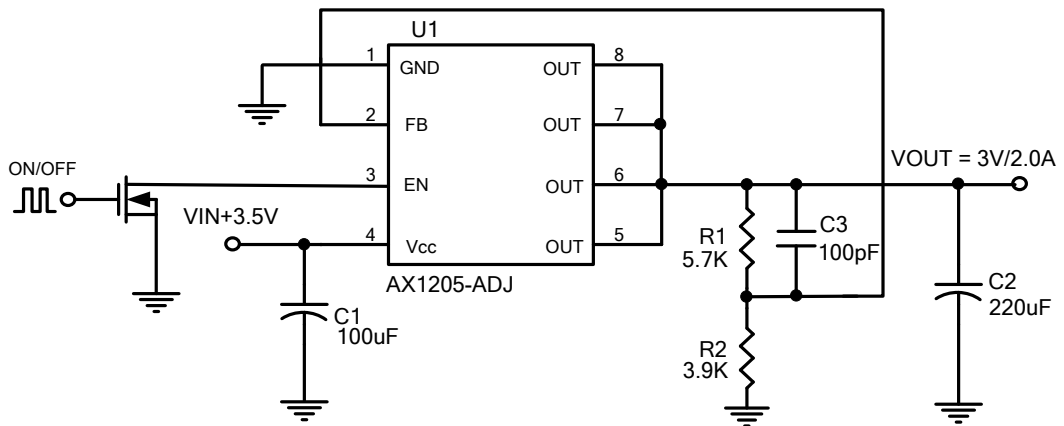
Note: These parameters, although guaranteed, are not 100% tested in production.

❖ APPLICATION CIRCUIT

1. FIXED



2. ADJ



$$V_{OUT} = V_{FB} * (1 + R1/R2)$$

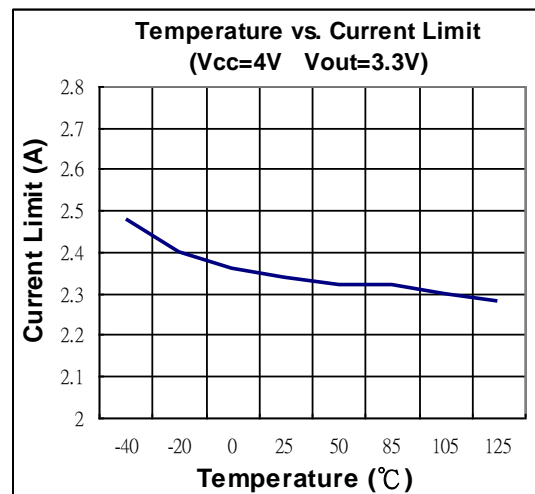
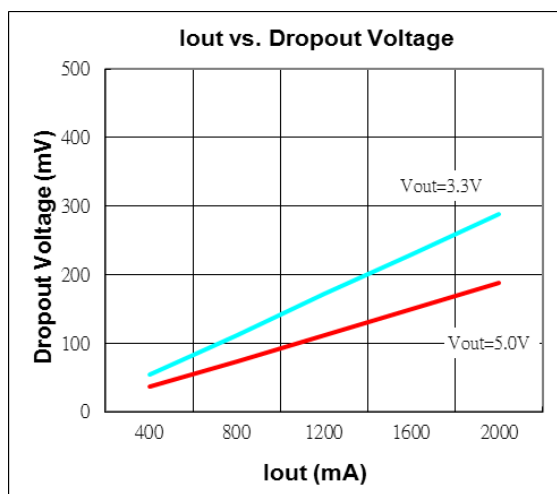
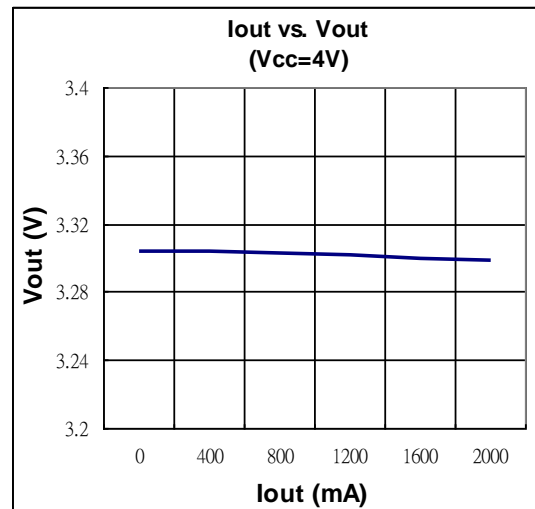
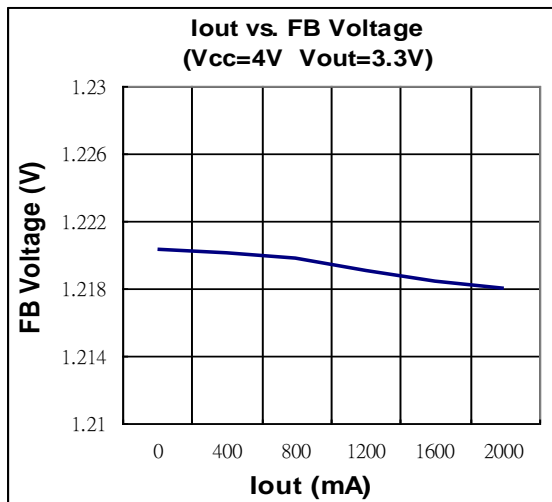
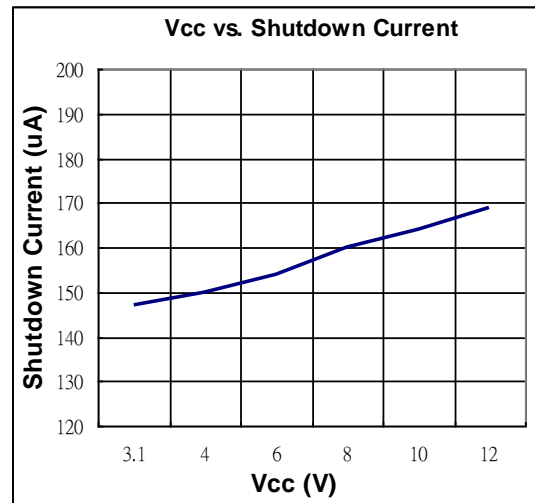
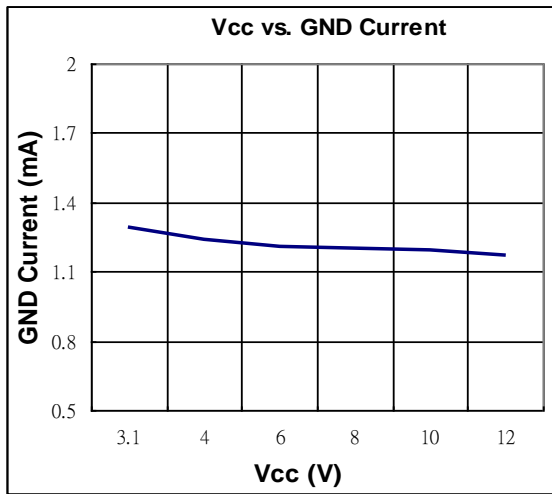
$$V_{FB} = 1.22V$$

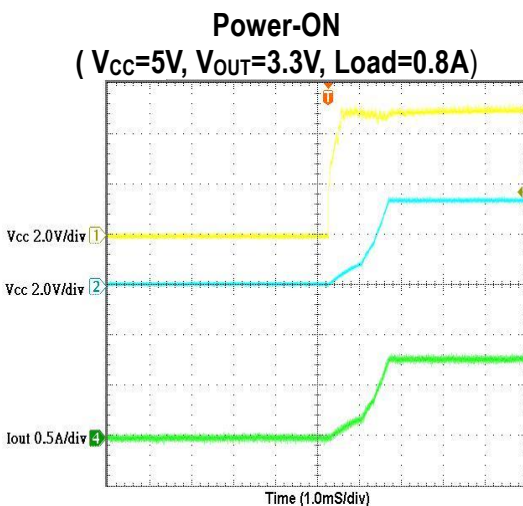
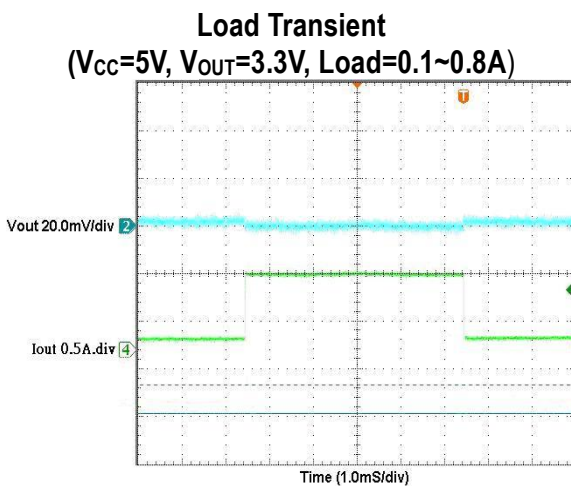
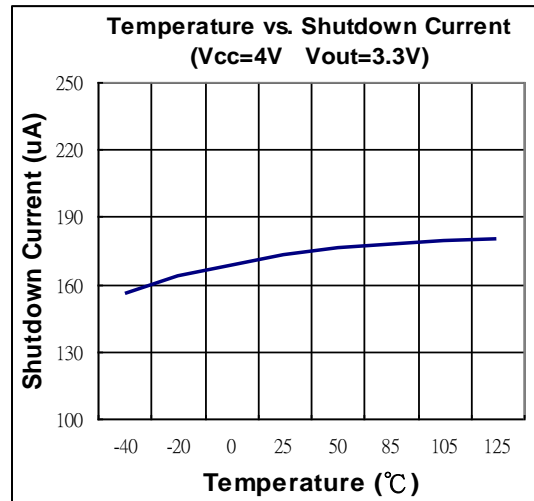
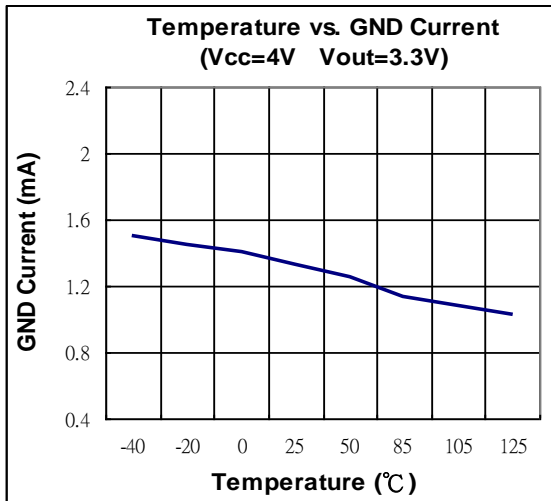
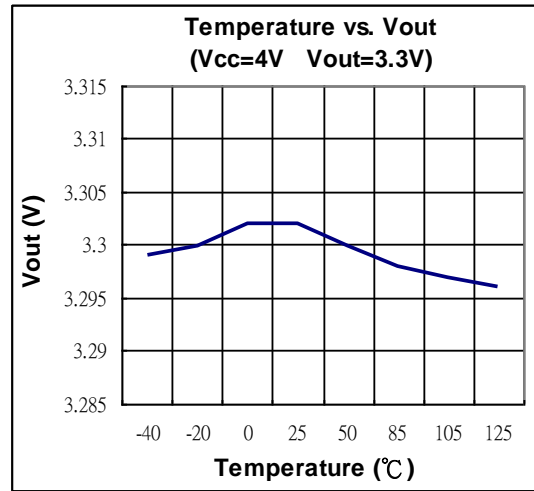
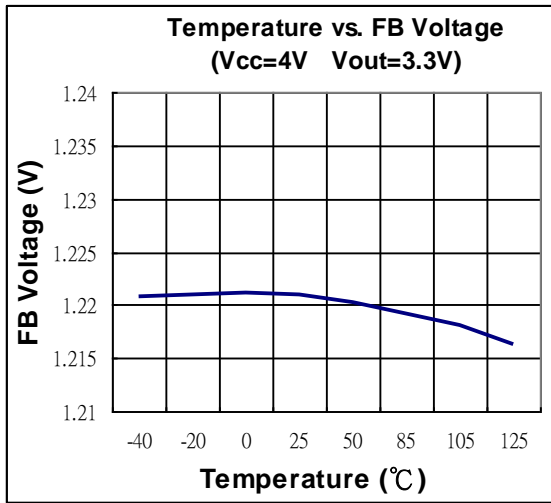
R2 suggest 1K~5.6KΩ

C2 choose Low ESR capacitor

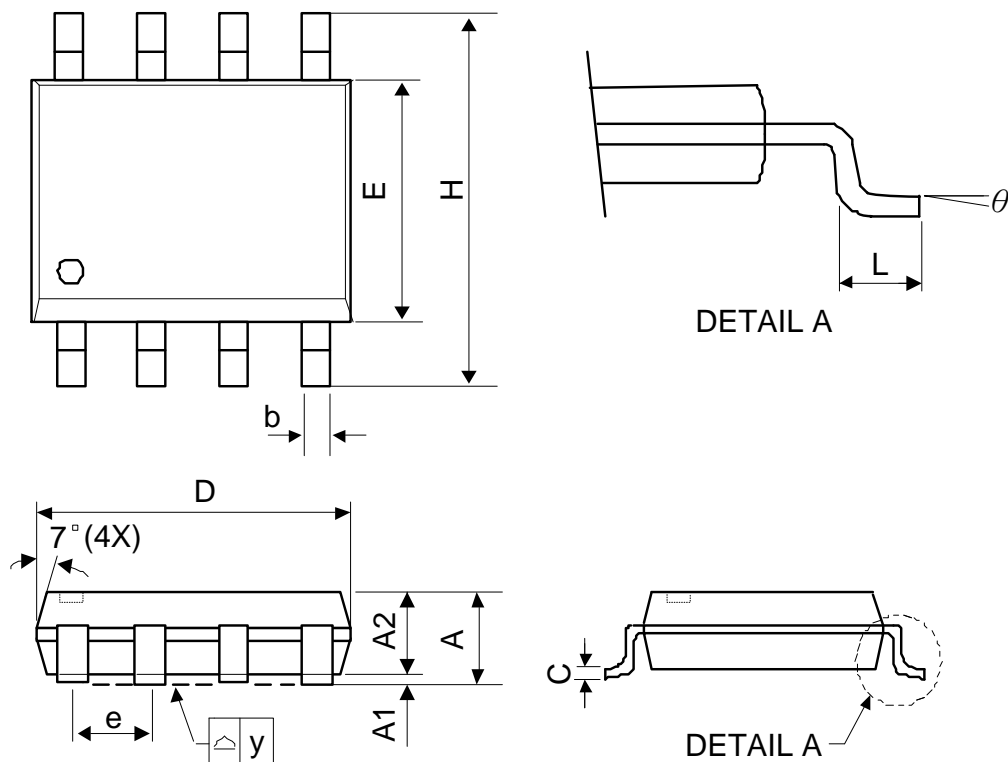
C3=47pF~100pF for stability issue

❖ TYPICAL CHARACTERISTICS



❖ TYPICAL CHARACTERISTICS (CONTINUED)


❖ PACKAGE OUTLINES



Symbol	Dimensions in Millimeters			Dimensions in Inches		
	Min.	Nom.	Max.	Min.	Nom.	Max.
A	-	-	1.75	-	-	0.069
A1	0.1	-	0.25	0.04	-	0.1
A2	1.25	-	-	0.049	-	-
C	0.1	0.2	0.25	0.0075	0.008	0.01
D	4.7	4.9	5.1	0.185	0.193	0.2
E	3.7	3.9	4.1	0.146	0.154	0.161
H	5.8	6	6.2	0.228	0.236	0.244
L	0.4	-	1.27	0.015	-	0.05
b	0.31	0.41	0.51	0.012	0.016	0.02
e	1.27 BSC			0.050 BSC		
y	-	-	0.1	-	-	0.004
θ	0°	-	8°	0°	-	8°

Mold flash shall not exceed 0.25mm per side
JEDEC outline: MS-012 AA