

## 1.2MHz, High Voltage, Boost Converter

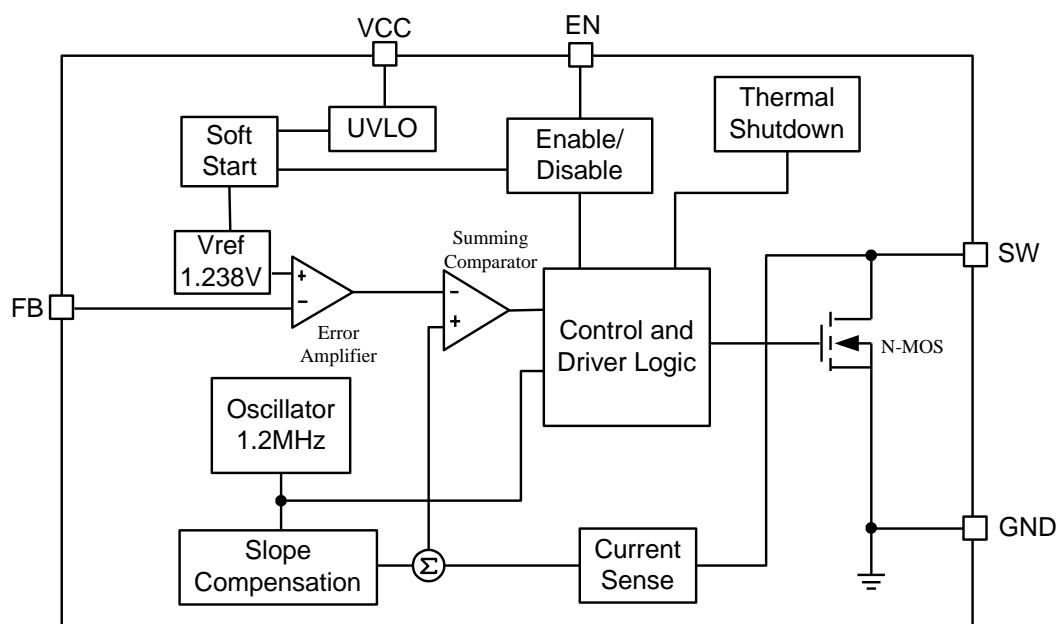
### ❖ GENERAL DESCRIPTION

The AX5511 is a current mode step up converter intended for small, low power applications. The converter input voltage ranging from 2.6V to 5.5V. The Output voltage can be set up to 27V. The frequency is 1.2MHz allows the use of small external inductors and capacitors and provides fast transient response. Internal soft start results in small inrush current and extends battery life. Internal power MOSFET with very low RDS (ON) provides high efficiency. The AX5511 automatically transits from PWM to PFM during light load condition further increasing efficiency. The converter also provides protection functions such as under-voltage lockout, current limit and thermal shutdown. The AX5511 is available in 5-pin TSOT-23 package.

### ❖ FEATURES

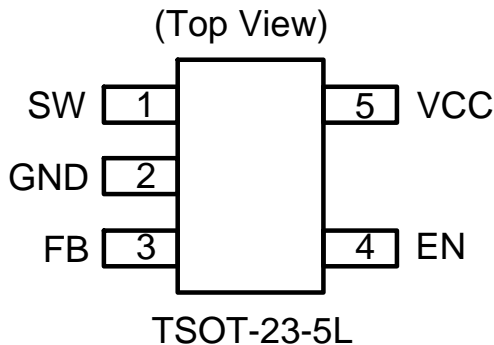
- 2.6V to 5.5 V operating input voltage range
- Adjustable output voltage range up to 27V
- 1.2MHz Fixed Switching Frequency
- Internal soft-start function
- Current limit and Thermal shutdown protection
- Under voltage Lockout
- $\leq 1\mu\text{A}$  Shutdown Current
- Available in the 5-pin TSOT-23 Package

### ❖ BLOCK DIAGRAM



❖ PIN ASSIGNMENT

The package of AX5511 is TSOT-23-5L; the pin assignment is given by:



Name	Description
VCC	Input Supply Pin. Must be locally bypassed.
EN	Regulator On/Off Control Input. A high input at EN turns on the converter, and a low input turns it off. When not used, connect EN to the input source for automatic startup. The EN pin cannot be left floating.
FB	Feedback Input. FB voltage is 1.238V. Connect a resistor divider to FB.
GND	Ground.
SW	Power Switch Output. SW is the drain of the internal MOSFET switch. Connect the power inductor and output rectifier to SW. SW can swing between GND and 27V.

❖ ORDER/MARKING INFORMATION

Order Information	Top Marking
<p><b>AX5511 XX X</b></p> <p>Package Type      Packing BT: TSOT-23-5L    Blank : Tube A: Taping</p>	<p><b>B A Y W X</b> → ID code: internal</p> <p>WW: 01~26(A~Z) 27~52(a~z)</p> <p>Year: A=2010 1=2011</p> <p>AX5511</p>

❖ ABSOLUTE MAXIMUM RATINGS (at T<sub>A</sub>=25°C)

Characteristics	Symbol	Rating	Unit
VCC Pin Voltage	V <sub>CC</sub>	GND - 0.3 to GND + 6.5	V
EN,FB Pin Voltage		GND - 0.3 to V <sub>CC</sub> + 0.3	V
SW Pin Voltage	V <sub>SW</sub>	30	V
Power Dissipation	PD	(T <sub>J</sub> -T <sub>A</sub> ) / θ <sub>JA</sub>	mW
Storage Temperature Range	T <sub>ST</sub>	-40 to +150	°C
Operating Junction Temperature Range	T <sub>OP</sub>	-40 to +125	°C
Thermal Resistance from Junction to case	θ <sub>JC</sub>	110	°C/W
Thermal Resistance from Junction to ambient	θ <sub>JA</sub>	250	°C/W

Note: θ<sub>JA</sub> is measured with the PCB copper area of approximately 1 in<sup>2</sup>(Multi-layer).

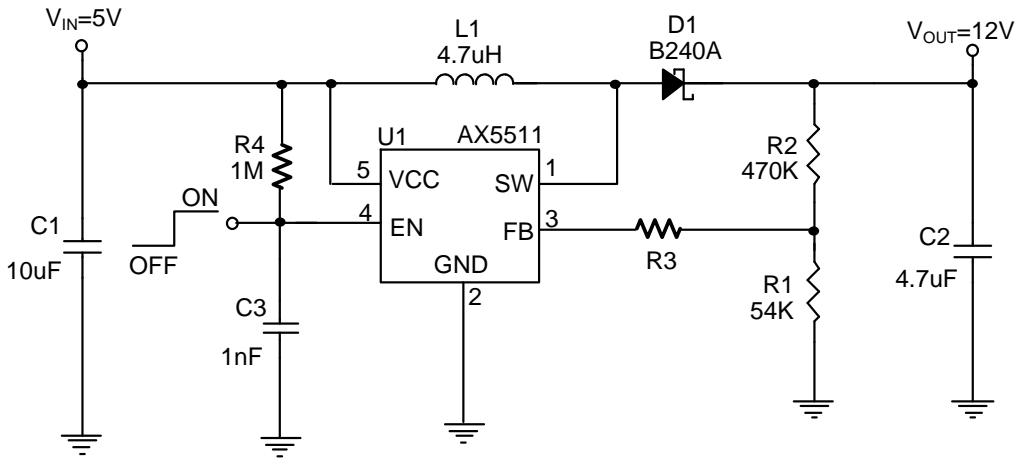
### ❖ ELECTRICAL CHARACTERISTICS

( $V_{CC} = 5V$ ,  $V_{OUT} = 12V$ ,  $T_A = 25^\circ C$ , unless otherwise noted)

Characteristics	Symbol	Conditions	Min	Typ	Max	Units
Input Voltage range	$V_{CC}$		2.6	-	5.5	V
Under Voltage Lockout	$U_{VLO}$	Rising	-	2.35	2.60	V
UVLO Hysteresis			-	-130	-	mV
Step-Up Voltage Adjust Range	$V_{OUT}$		3	-	27	V
Operating quiescent current	$I_{CCQ}$	$I_{OUT} = 0mA$ , $V_{FB} = 1.5V$	-	150	250	$\mu A$
Shutdown current	$I_{SD}$	$V_{EN} = 0V$	-	0.1	1	$\mu A$
Feedback Voltage	$V_{FB}$		1.213	1.238	1.263	V
FB Input Leakage Current	$I_{FB-LKG}$	$V_{FB} = 1.3V$	-100	0.01	+100	nA
Line Regulation		$V_{IN} = 2.5$ to $5.5V$ $I_{OUT} = 20mA$	-	0.2	-	%
Load Regulation		$V_{IN} = 5V$ $I_{OUT} = 1mA$ to $400mA$	-	0.2	-	%
Switching frequency	$F_{OSC}$		900	1200	1500	KHz
Maximum Duty	$D_{MAX}$		82	87	-	%
N-channel MOSFET current limit	$I_{LIM}$	Duty=50%	-	1.9	-	A
MOSFET on-resistance (Note 1)	$R_{DS(on)}$	$V_{CC} = 3V$ , $I_{SW} = 1A$	-	650	-	m $\Omega$
		$V_{CC} = 5V$ , $I_{SW} = 1A$	-	500	-	
SW Leakage Current	$I_{SWL}$	$V_{SW} = 27V$ , $V_{FB} = 1.5V$	-	-	1	$\mu A$
EN high-level input voltage	$V_{IH}$		1.0	-	-	V
EN low-level input voltage	$V_{IL}$		-	-	0.4	V
EN Hysteresis	hys		-	200	-	mV
EN input leakage current	$I_{EN-LKG}$	$V_{EN} = GND$ or $V_{CC}$	-	0.01	0.1	$\mu A$
Thermal Shutdown	$T_{DS}$		-	150	-	$^\circ C$
Thermal Shutdown Hysteresis	$T_{SH}$		-	35	-	

Note1: Guaranteed by design.

❖ APPLICATION CIRCUIT



$$V_{OUT} = 1.238V \times \left(1 + \frac{R2}{R1}\right)$$

R2 Suggest 390K~820K

V <sub>IN</sub>	V <sub>OUT</sub>	R3
2.6~3.6V	5V	120KΩ
2.6~5.3V	7V	82KΩ
2.6~5.5V	7.5~27V	0Ω

❖ APPLICATION INFORMATION

**Setting the Output Voltage**

Application circuit item shows the basic application circuit with AX5511 adjustable output version. The external resistor sets the output voltage according to the following equation:

$$V_{OUT} = 1.238V \times \left(1 + \frac{R2}{R1}\right)$$

For most applications, R2 is a suggested a value by 390K~820KΩ. Place the resistor-divider as close to the IC as possible to reduce the noise sensitivity.

**Under Voltage Lockout (UVLO)**

To avoid mis-operation of the device at low input voltages an under voltage lockout is included that disables the device, if the input voltage falls below (2.35V-130mV).

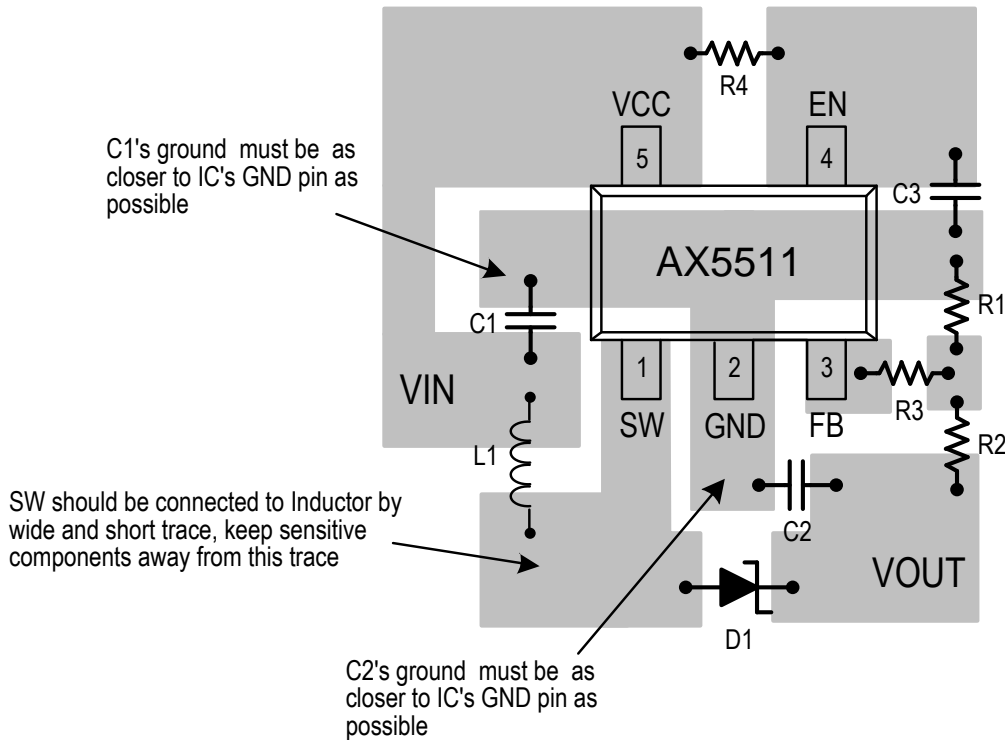
### Input Capacitor Selection

The input capacitor reduces the surge current drawn from the input and switching noise from the device. The input capacitor impedance at the switching frequency shall be less than input source impedance to prevent high frequency switching current passing to the input. A low ESR input capacitor sized for maximum RMS current must be used. Ceramic capacitors with X5R or X7R dielectrics are highly recommended because of their low ESR and small temperature coefficients. A 10 $\mu$ F ceramic capacitor for most applications is sufficient. For a lower output power requirement application, this value can be decreased.

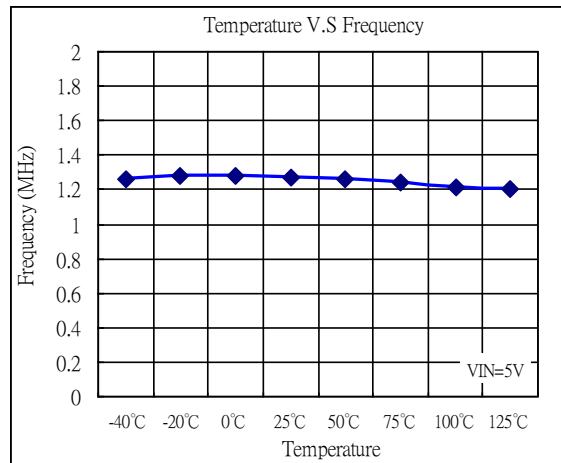
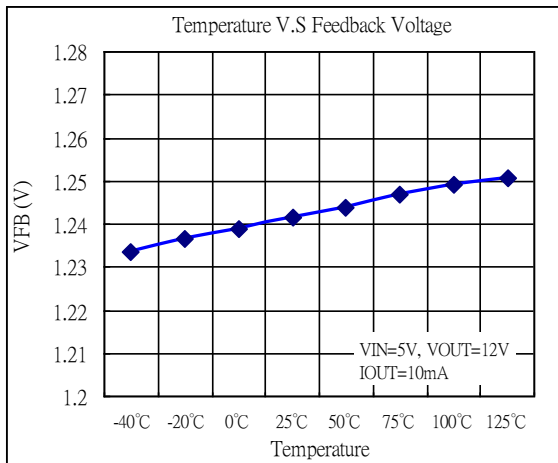
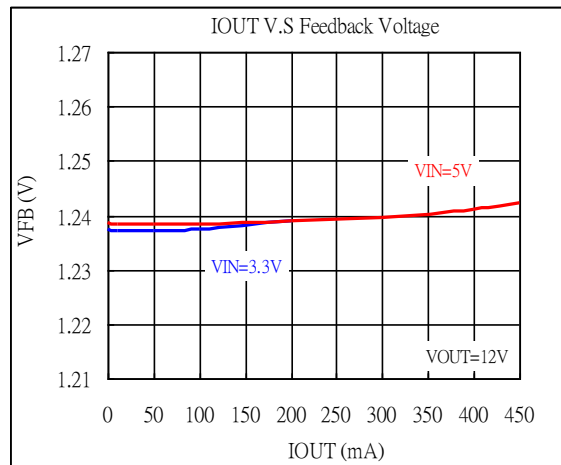
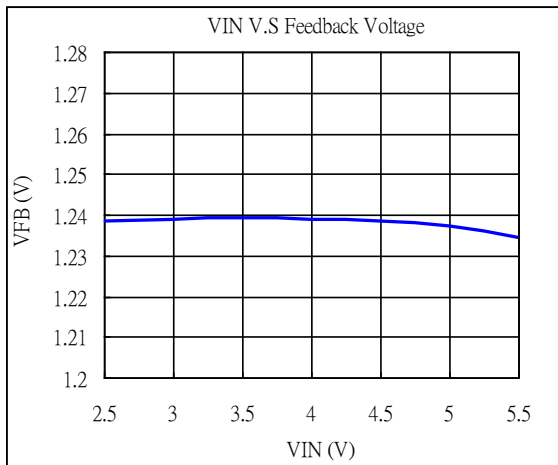
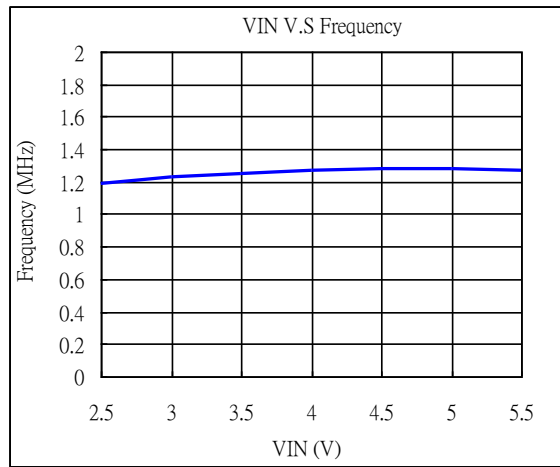
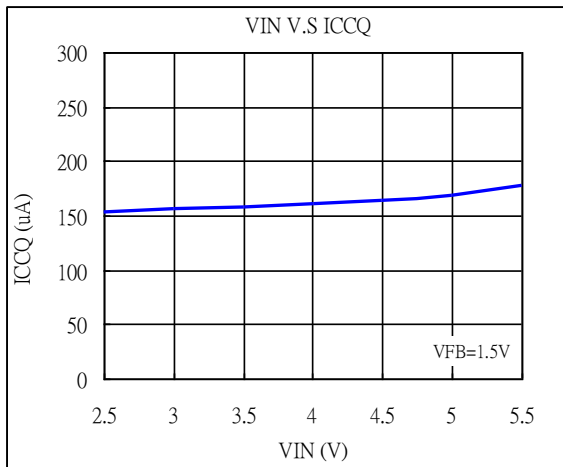
### Output Capacitor Selection

The output capacitor is required to keep the output voltage ripple small and to ensure regulation loop stability. The output capacitor must have low impedance at the switching frequency. Ceramic capacitors with X5R or X7R dielectrics are recommended due to their low ESR and high ripple current. A 4.7 $\mu$ F ceramic capacitors works for most of the applications. Higher capacitor values can be used to improve the load transient response.

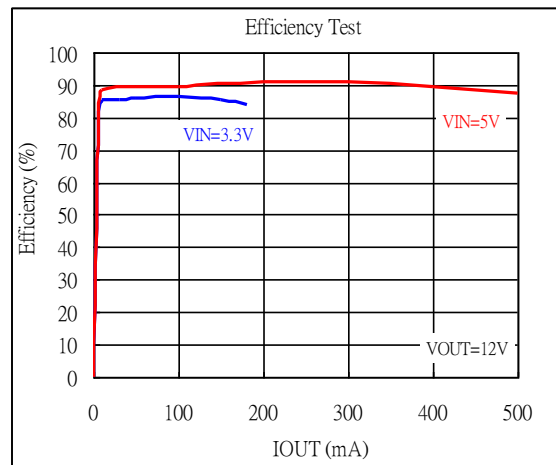
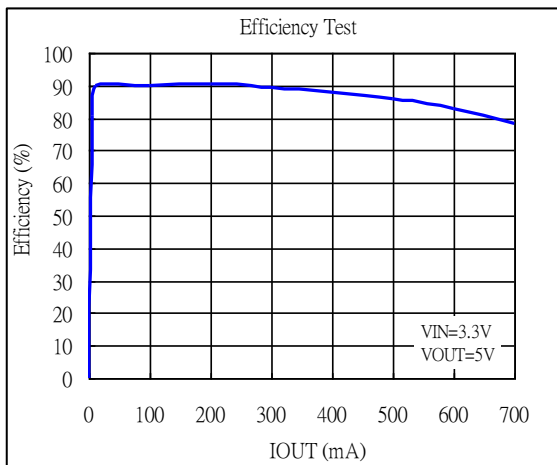
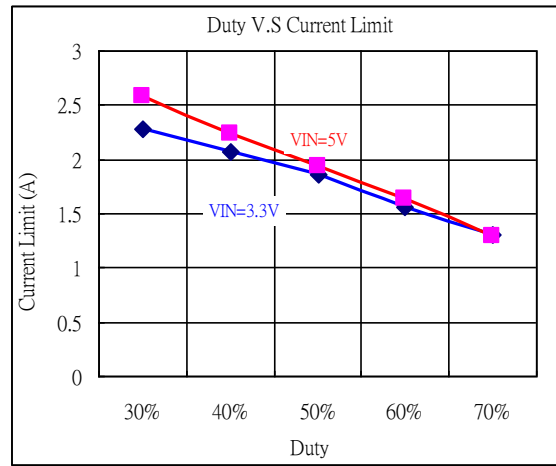
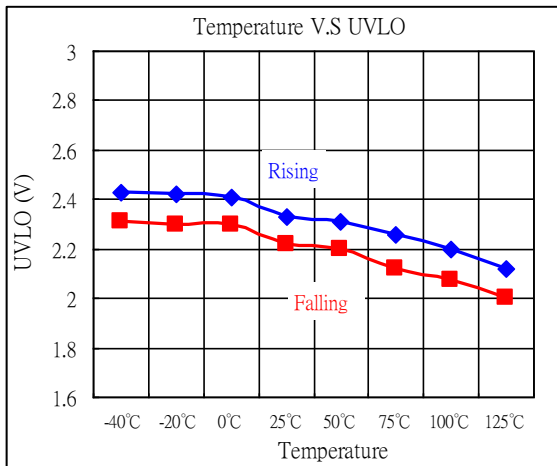
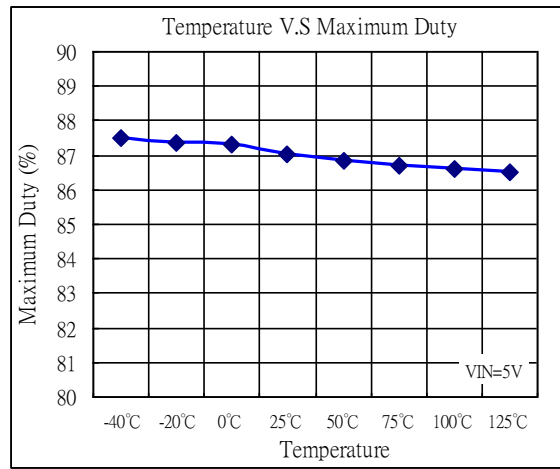
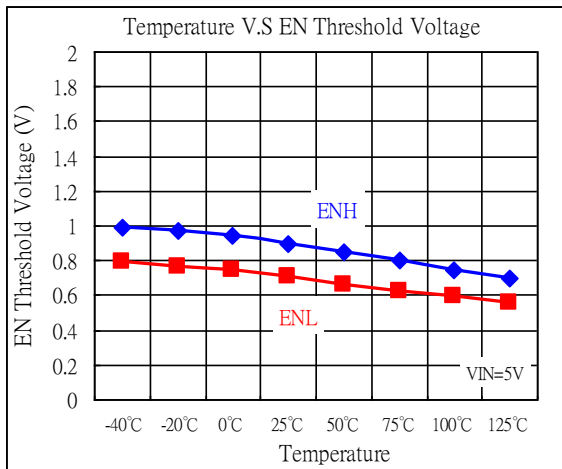
### Layout Guide



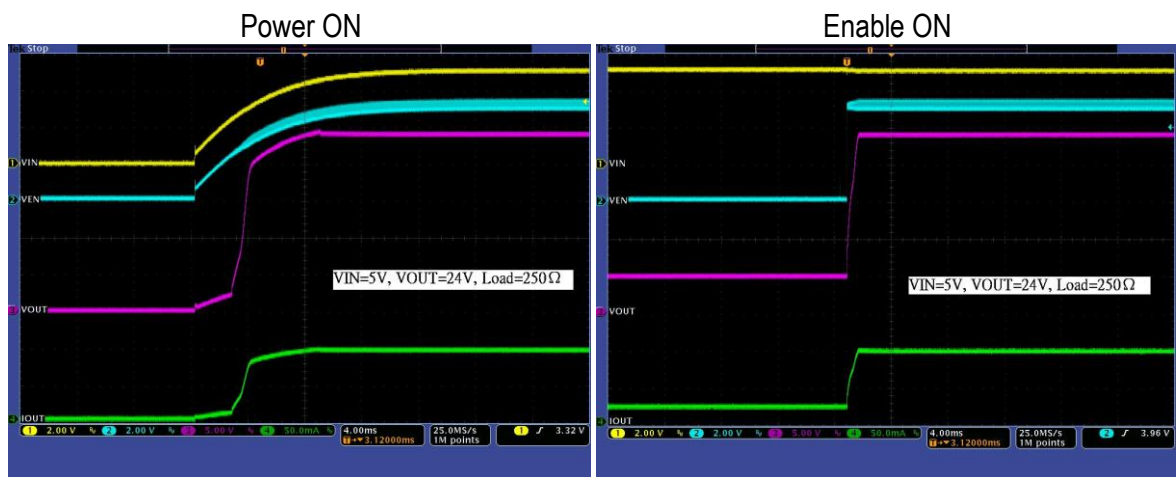
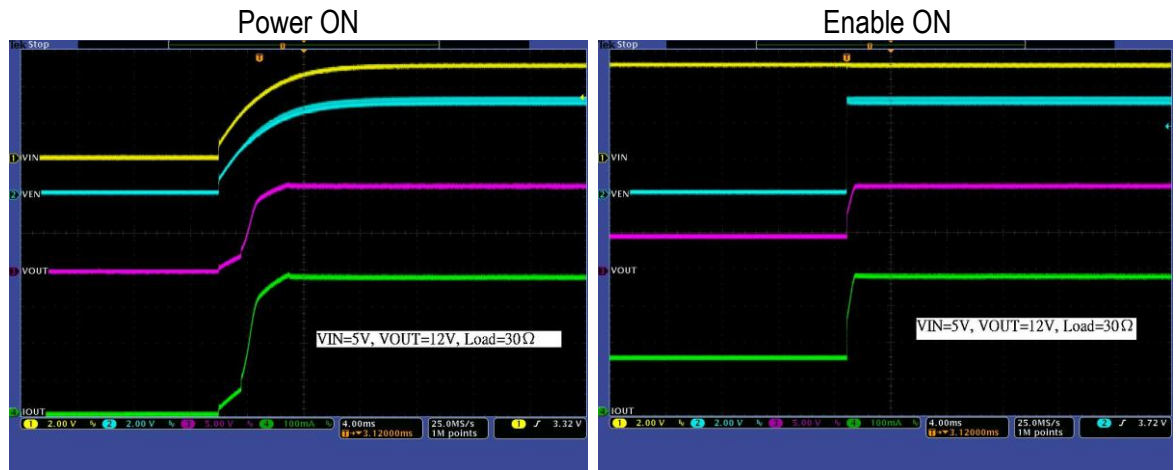
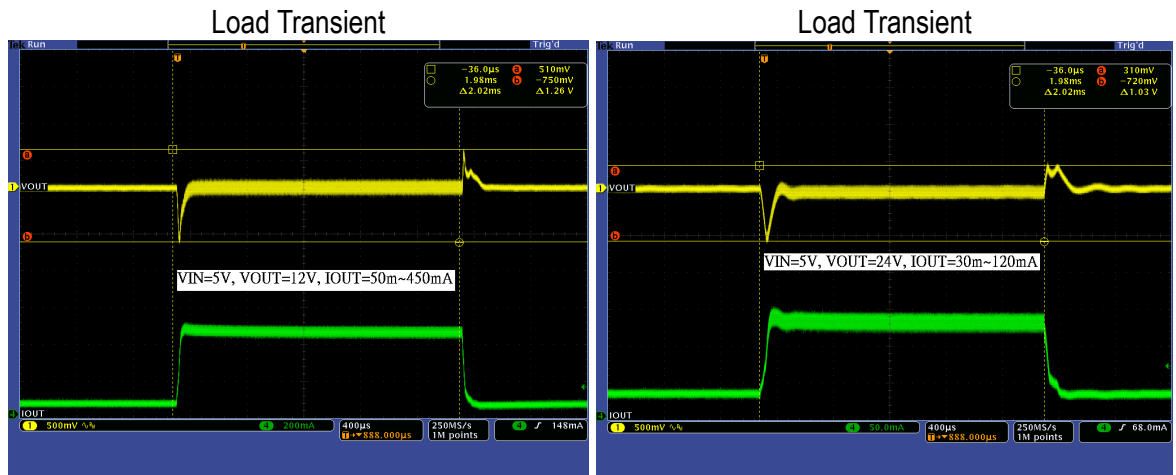
❖ TYPICAL CHARACTERISTICS



❖ TYPICAL CHARACTERISTICS (CONTINUOUS)

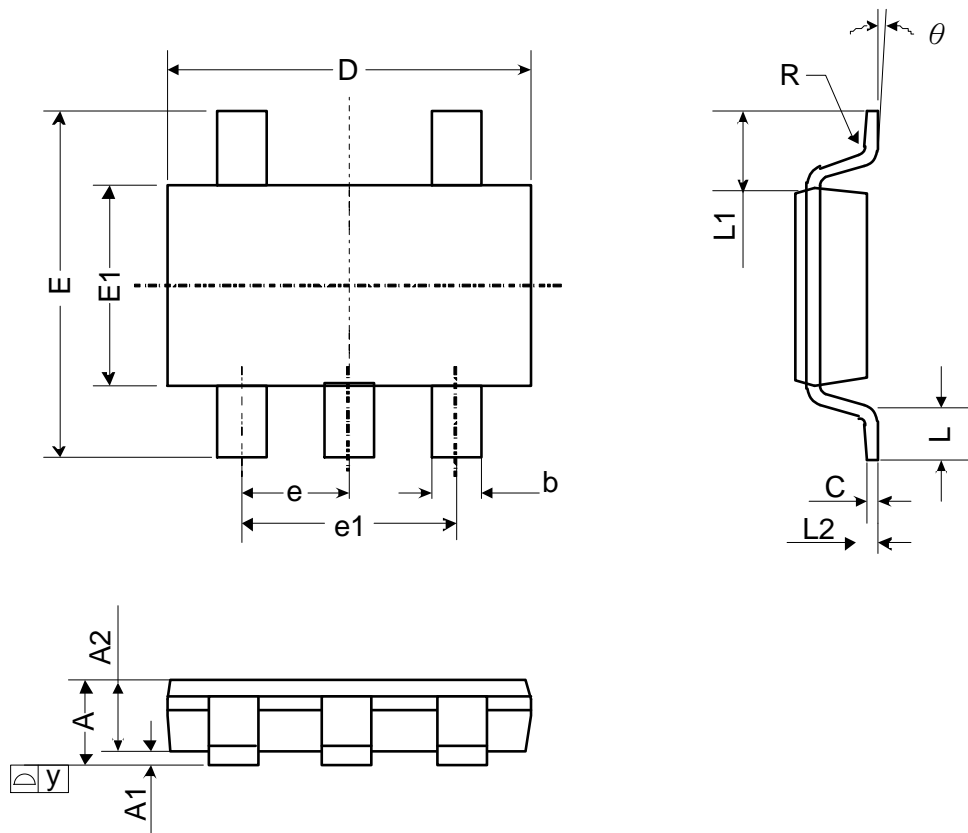


❖ TYPICAL CHARACTERISTICS (CONTINUOUS)





❖ PACKAGE OUTLINES



Symbol	Dimensions in Millimeters			Dimensions in Inches		
	Min.	Nom.	Max.	Min.	Nom.	Max.
A	-	-	1.1	-	-	0.043
A1	0	-	0.1	0	-	0.004
A2	0.7	0.9	1	0.028	0.035	0.039
b	0.3	0.4	0.5	0.012	0.016	0.02
C	0.08	0.14	0.2	0.003	0.006	0.008
D	2.8	2.9	3	0.11	0.114	0.118
E	2.6	2.8	3	0.102	0.11	0.118
E1	1.5	1.6	1.7	0.059	0.063	0.067
e	0.95 BSC.			0.037 BSC.		
e1	1.90 BSC.			0.075 BSC.		
L	0.3	0.45	0.6	0.012	0.018	0.024
L1	0.60 REF.			0.024 REF.		
L2	0.25 BSC.			0.010 BSC.		
y	-	-	0.1	-	-	0.004
R	0.1	-	-	0.004	-	-
θ	0°	-	8°	0°	-	8°

JECED outline: MO-193 AB