

3A Ultra Low Dropout Linear Regulator

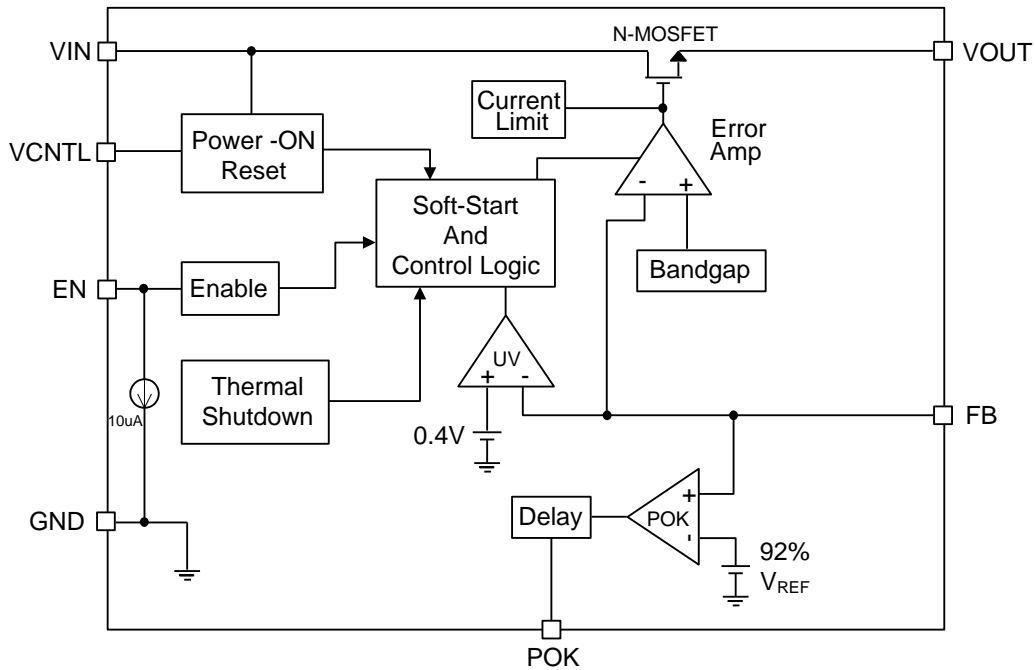
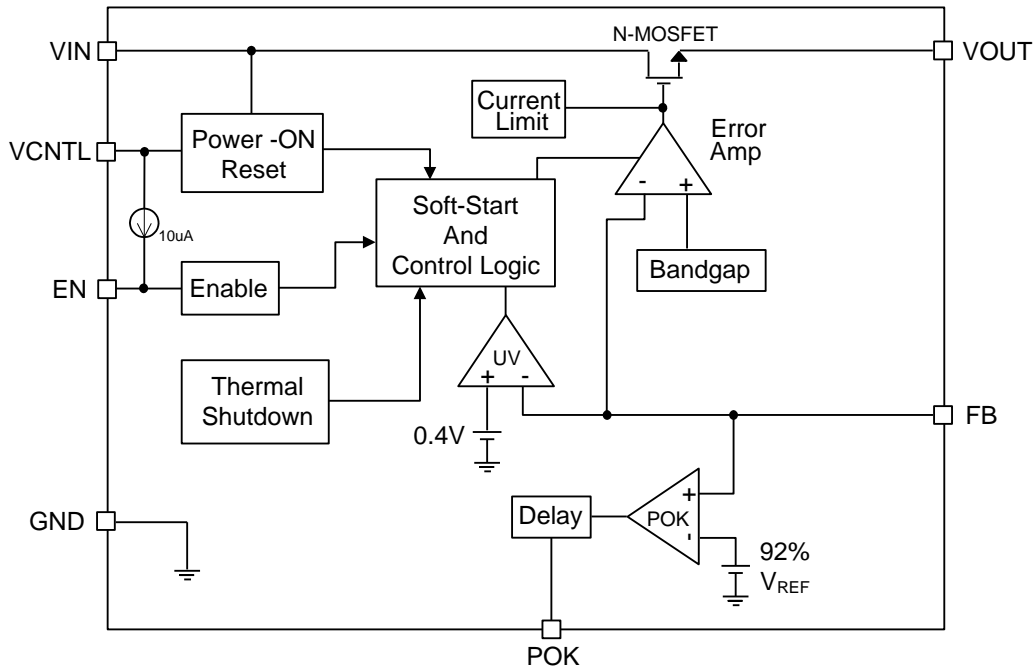
❖ GENERAL DESCRIPTION

The AX6617 series is a 3A ultra low dropout linear regulator. This product is specifically designed to provide well supply voltage for front-side-bus termination on motherboards and NB applications. The IC needs two supply voltages, a control voltage for the circuitry and a main supply voltage for power conversion, to reduce power dissipation and provide extremely low dropout. The AX6617 series integrates many functions. A Power-On-Reset (POR) circuit monitors both supply voltages to prevent wrong operations. A thermal shutdown and current limit functions protect the device against thermal and current over-loads. A POK indicates the output status with time delay which is set internally. It can control other converter for power sequence. The AX6617 series can be enabled by other power system. Pulling and holding the EN pin below 0.6V shuts off the output.

The AX6617 series is available in SOP-8L-EP package which features small size as SOP-8L and an Exposed Pad to reduce the junction-to-case resistance, being applicable in 2~3W applications.

❖ FEATURES

- Ultra Low Dropout 0.23V(typical) @ 2A Output Current for 1.2V output Voltage
- Low ESR Output Capacitor (Multi-layer Chip Capacitors (MLCC)) Applicable
- EN internal pull-low for AX6617A
EN internal pull-high for AX6617B
- Fast Transient Response
- Adjustable Output Voltage by External Resistors
- Power-On-Reset Monitoring on Both VCNTL and VIN Pins
- Internal Soft-Start
- Under-Voltage Protection
- Current-Limit and Thermal Shutdown Protection
- Power-OK Output with a Delay Time
- SOP-8L with Exposed Pad Pb-Free Package.

❖ BLOCK DIAGRAM
AX6617A:

AX6617B:


❖ RECOMMENDED OPERATING CONDITIONS

| Characteristics | Symbol | Conditions | Rating | Unit |
|--------------------------------------|------------|-------------------------|------------|------|
| Operating Junction Temperature Range | T_{OJ} | | -40 to 125 | °C |
| Operating Ambient Temperature Range | T_{OA} | | -40 to 85 | °C |
| VCNTL Supply Voltage | V_{CNTL} | | 3 to 6.0 | V |
| V_{IN} Supply Voltage | V_{IN} | | 1.1 to 5.5 | V |
| Output Voltage | V_{OUT} | $V_{CNTL}-V_{OUT}>1.9V$ | 0.8 to 2.8 | V |
| Output Current | I_{OUT} | | 0 to 3 | A |

❖ ELECTRICAL CHARACTERISTICS

($V_{CNTL}=5V$, $V_{IN}=1.8V$, $V_{OUT}=1.2V$, $T_A=25^{\circ}C$ unless otherwise specified)

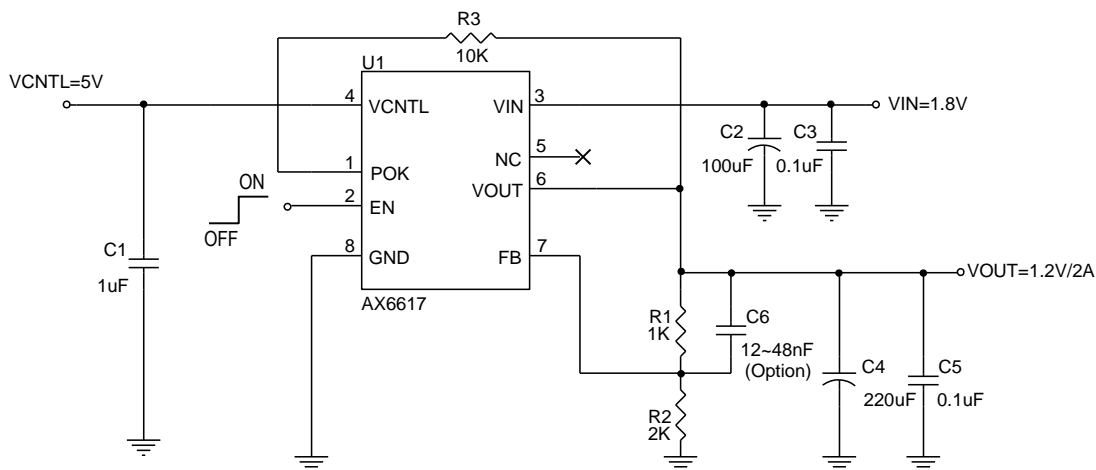
| Characteristics | Symbol | Conditions | Min | Typ | Max | Units | |
|--|-----------------|--|----------------|------|-------|-------|----|
| VCNTL POR Threshold | V_{CNTL} | | 2.5 | 2.7 | 2.9 | V | |
| VCNTL POR Hysteresis | $V_{CNTL(hys)}$ | | - | 0.4 | - | V | |
| VIN POR Threshold | $V_{IN(POR)}$ | | 0.8 | 0.9 | 1.0 | V | |
| VIN POR Hysteresis | $V_{IN(hys)}$ | | - | 0.5 | - | V | |
| VCNTL Nominal Supply Current | I_{CNTL} | $EN=V_{CNTL}$ | 0.4 | 1 | 1.5 | mA | |
| VCNTL Shutdown Current | I_{SD} | $EN=0V$ | AX6617A | - | - | 1 | uA |
| | | | AX6617B | - | 10 | 30 | |
| Feedback Voltage | V_{FB} | $V_{CNTL}=5V$, $I_{OUT}=10mA$ | 0.788 | 0.8 | 0.812 | V | |
| Feedback Current | I_{FB} | $V_{FB}=1V$ | - | 5 | - | nA | |
| Line Regulation | | $V_{CNTL}=V_{EN}=5V$ $V_{IN}=V_{OUT}+0.5V\sim 5V$ $I_{OUT}=10mA$ | - | 0.01 | 0.1 | %/V | |
| Load Regulation | | $I_{OUT}=0A\sim 2A$ | - | 0.2 | 1 | % | |
| On Resistance | $R_{DS(ON)}$ | $I_{OUT}=100mA$, $V_{CNTL}=5.0V$, $V_{OUT}=1.2V$ | - | 115 | 150 | mΩ | |
| Dropout Voltage | V_{DROP} | $I_{OUT}=2A$, $V_{CNTL}=5V$ | $V_{OUT}=1.2V$ | - | 0.23 | 0.3 | V |
| VOOUT Pull Low Resistance | | $EN=0V$ | - | 90 | - | Ω | |
| Soft Start Time | T_{SS} | | - | 2 | - | mS | |
| EN Pin Logic input threshold voltage | V_{ENH} | Enable | 1.2 | - | - | V | |
| | V_{ENL} | Disable | - | - | 0.6 | | |
| EN Hysteresis | | | - | 40 | - | mV | |
| EN Pin Pull- High or Pull- Low Current | I_{EN} | $EN=5V$, AX6617A | - | 10 | 20 | uA | |
| | | $EN=GND$, AX6617B | - | 10 | 20 | | |
| Current Limit | I_{LIM} | $V_{CNTL}=5V$ $V_{IN}=V_{OUT}+1V$ | 3.1 | - | - | A | |
| Ripple Rejection | V_{IN} | PSRR $F=120Hz$, $I_{OUT}=100mA$ | - | 65 | - | dB | |
| | V_{CNTL} | | - | 65 | - | | |
| Inrush current | | $V_{CNTL}=5V$, $C_{OUT}=10uF$ EN startup, $I_{OUT}=2A$ | - | 0.5 | - | A | |
| Under-Voltage Threshold | | V_{FB} Falling | - | 0.4 | - | V | |

❖ ELECTRICAL CHARACTERISTICS (CONTINUOUS)

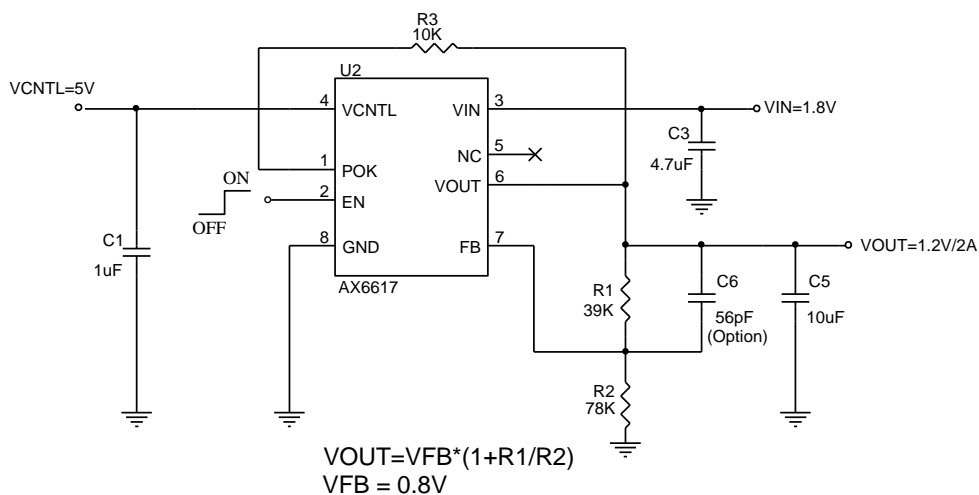
| Characteristics | Symbol | Conditions | Min | Typ | Max | Units |
|--|--------------------|-------------------------|-----|------|-----|-----------------|
| POK Threshold Voltage for Power OK | V _{POK} | V _{FB} Rising | - | 92% | - | V _{FB} |
| POK Threshold Voltage for Power Not OK | V _{PNOK} | V _{FB} Falling | - | 81% | - | V _{FB} |
| POK Low Voltage | | POK sinks 5mA | - | 0.25 | 0.4 | V |
| POK Delay Time | T _{DELAY} | | 0.8 | 2 | 10 | mS |
| Thermal shutdown Temp | T _{SD} | | - | 160 | - | °C |
| Thermal Shutdown Hysteresis | T _{SH} | | - | 40 | - | °C |

❖ APPLICATION CIRCUIT

1. Using an Aluminum Electrolytic Output Capacitor



2. Using an MLCC Output Capacitor



❖ FUNCTION PIN DESCRIPTIONS

FB

Connecting this pin to an external resistor divider receives the feedback voltage of the regulator. The output voltage set by the resistor divider is determined by:

$$V_{OUT} = 0.8 \cdot \left(1 + \frac{R1}{R2} \right) \quad (V)$$

Where R1 is connected from VOUT to FB with Kelvin sensing and R2 is connected from FB to GND. A bypass capacitor may be connected with R1 in parallel to improve load transient response. The R2 range in 1K~4.7KΩ for AL output capacitor and 30K~100KΩ for MLCC output capacitor are recommended.

VIN

Main supply input pins for power conversions. The voltage at this pin is monitored for Power-On Reset purpose.

VCNTL

Power input pin of the control circuitry. Connecting this pin to a +5V (recommended) supply voltage provides the bias for the control circuitry. The voltage at this pin is monitored for Power-On Reset purpose.

POK

Power-OK signal output pin. This pin is an open-drain output used to indicate status of output voltage by sensing FB voltage. This pin is pulled low when the rising FB voltage is not above the VPOK threshold or the falling FB voltage is below the VPOK threshold, indicating the output is not OK.

EN

Enable control pin. Pulling and holding this pin below 0.6V shuts down the output. When re-enabled, the IC undergoes a new soft-start cycle. For AX6617B, this pin is internal pulled up to VCNTL voltage, enabling the regulator. For AX6617A, this pin is internal pulled down to GND voltage, shutdown the regulator. The pull-high or pull-low current is 10uA (typ.)

VOUT

Regulator output pin. Please connect Pin 6 using wide tracks. It is necessary to connect an output capacitor with this pin for closed-loop compensation and improving transient responses.

❖ FUNCTION DESCRIPTIONS

Power-On-Reset

A Power-On-Reset (POR) circuit monitors both input voltages at VCNTL and VIN pins to prevent wrong logic controls. The POR function initiates a soft-start process after the two supply voltages exceed their rising POR threshold voltages during powering on. The POR function also pulls low the POK pin regardless the output voltage when the VCNTL voltage falls below its falling POR threshold.

Internal Soft-Start

An internal soft-start function controls rise rate of the output voltage to limit the current surge at start-up. The typical soft-start interval is about 2mS.

Output Voltage Regulation

An error amplifier working with a temperature compensated 0.8V reference and an output NMOS regulates output to the preset voltage. The error amplifier designed with high bandwidth and DC gain provides very fast transient response and less load regulation. It compares the reference with the feedback voltage and amplifies the difference to drive the output NMOS which provides load current from VIN to VOUT.

Current-Limit

The AX6617 monitors the current via the output NMOS and limits the maximum current to prevent load and AX6617 from damages during overload or short circuit conditions.

Under-Voltage Protection (UVP)

The AX6617 monitors the voltage on FB pin after soft-start process is finished. Therefore the UVP is disabling during soft-start. When the voltage on FB pin falls below the under-voltage threshold, the UVP circuit shuts off the output immediately. After a while, the AX6617 starts a new soft-start to regulate output.

Thermal Shutdown

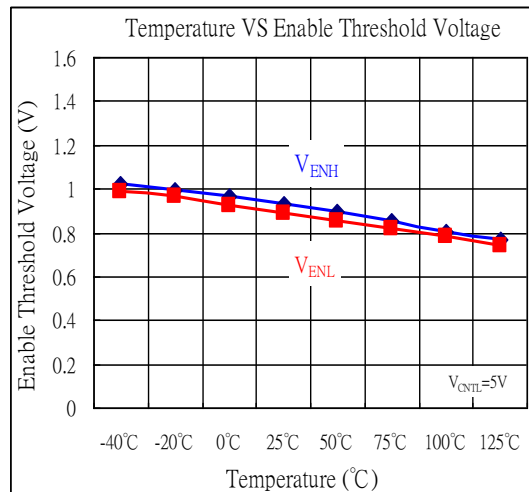
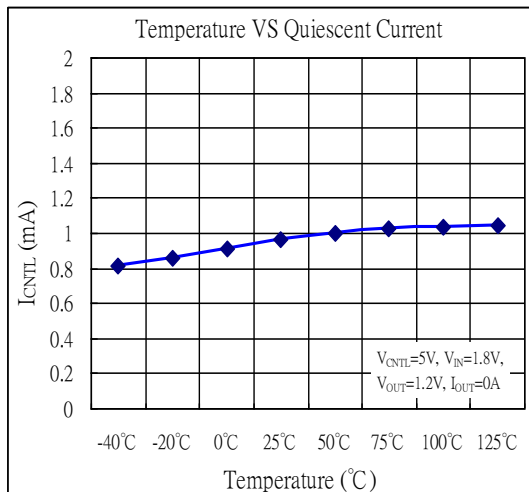
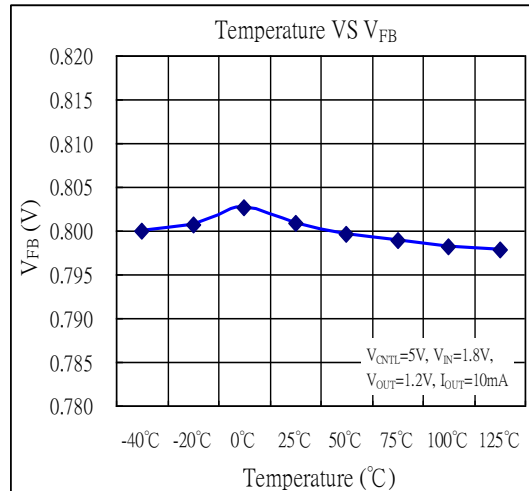
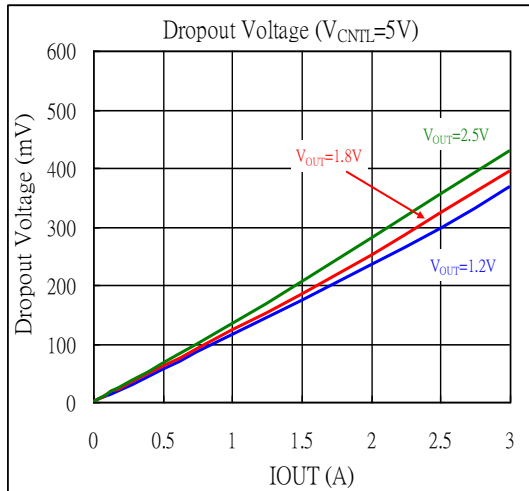
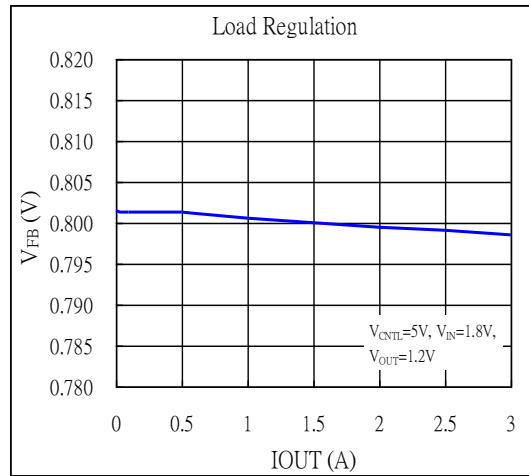
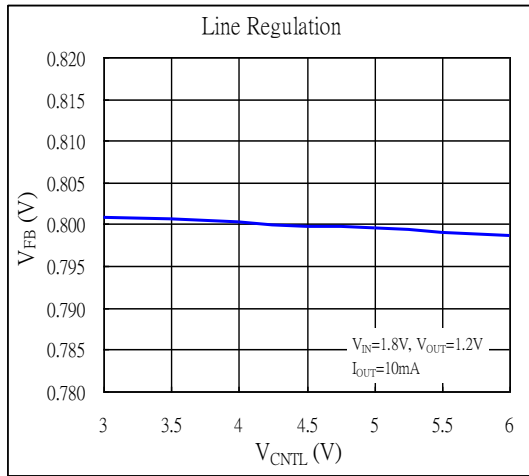
A thermal shutdown circuit limits the junction temperature of AX6617. When the junction temperature exceeds +160°C, a thermal sensor turns off the output NMOS, allowing the device to cool down. The regulator regulates the output again through initiation of a new soft-start cycle after the junction temperature cools by 40°C, resulting in a pulsed output during continuous thermal overload conditions. The thermal shutdown designed

❖ APPLICATION INFORMATION

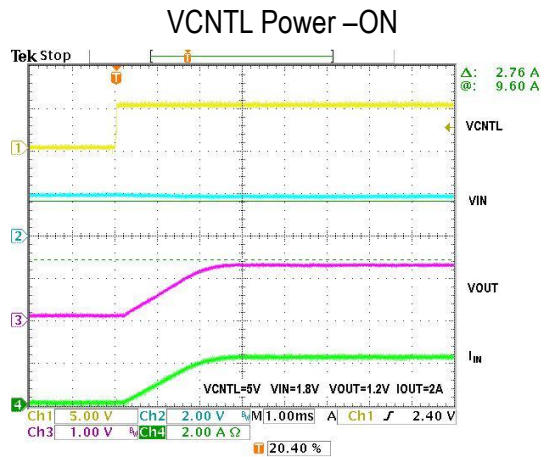
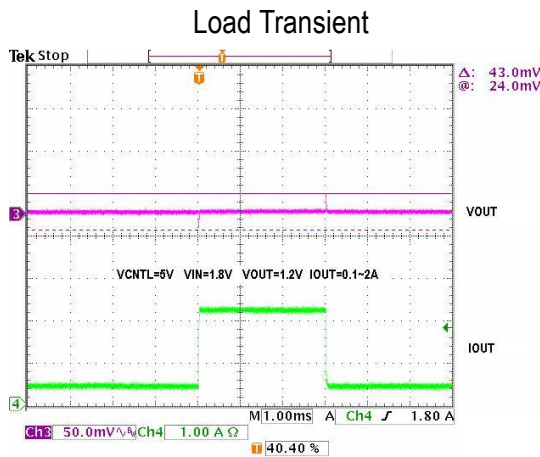
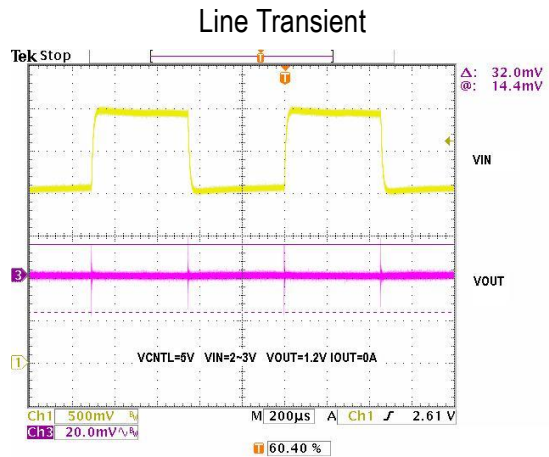
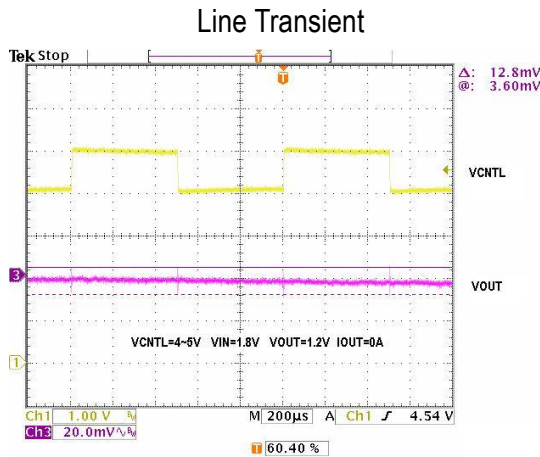
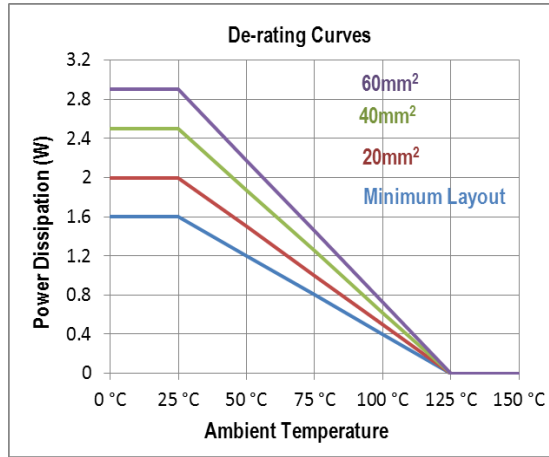
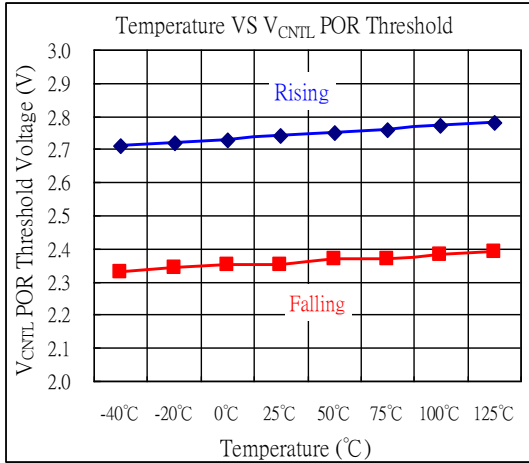
Capacitor Selection

Normally, use a MLCC capacitor on the input and output of the AX6617. Larger input capacitor values provide better supply-noise rejection and transient response. A higher-value output capacitor may be necessary if large, fast transients are anticipated and the device is located several inches from the power source. The X5R and X7R type in MLCC is recommended. For aluminum electrolytic capacitor application, 100uF in input capacitor and 220uF in output capacitor ($30\text{m}\Omega < \text{ESR} < 200\text{m}\Omega$) are recommended. Output capacitor of larger capacitance can reduce noise and improve load transient response, stability, and PSRR.

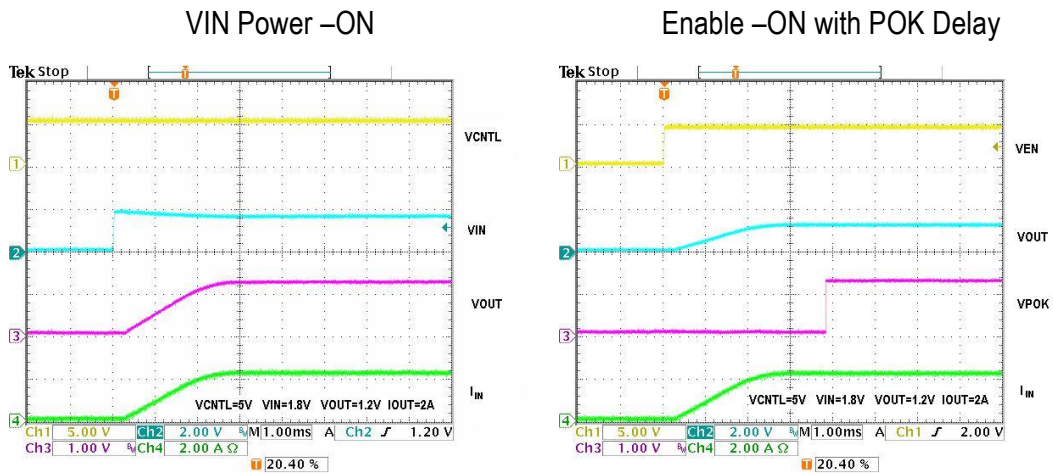
❖ TYPICAL CHARACTERISTICS

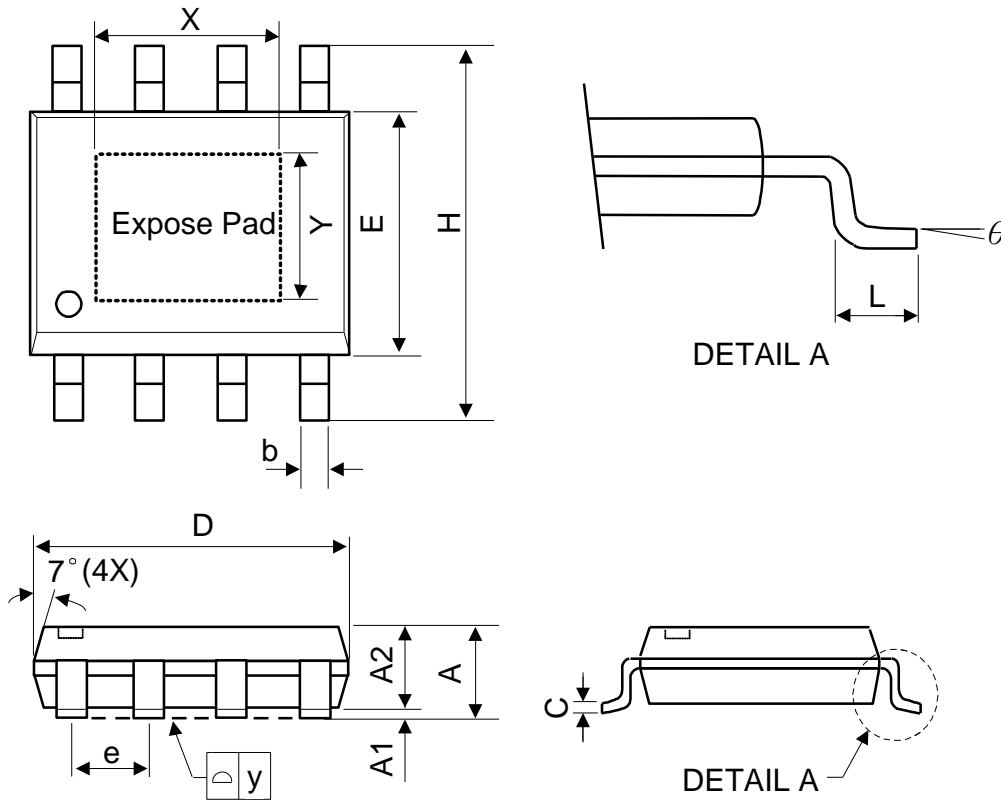


❖ TYPICAL CHARACTERISTICS (CONTINUOUS)



❖ TYPICAL CHARACTERISTICS (CONTINUOUS)



❖ PACKAGE OUTLINES


| Symbol | Dimensions in Millimeters | | | Dimensions in Inches | | |
|--------|---------------------------|------|------|----------------------|-------|-------|
| | Min. | Nom. | Max. | Min. | Nom. | Max. |
| A | - | - | 1.75 | - | - | 0.069 |
| A1 | 0 | - | 0.15 | 0 | - | 0.06 |
| A2 | 1.25 | - | - | 0.049 | - | - |
| C | 0.1 | 0.2 | 0.25 | 0.0075 | 0.008 | 0.01 |
| D | 4.7 | 4.9 | 5.1 | 0.185 | 0.193 | 0.2 |
| E | 3.7 | 3.9 | 4.1 | 0.146 | 0.154 | 0.161 |
| H | 5.8 | 6 | 6.2 | 0.228 | 0.236 | 0.244 |
| L | 0.4 | - | 1.27 | 0.015 | - | 0.05 |
| b | 0.31 | 0.41 | 0.51 | 0.012 | 0.016 | 0.02 |
| e | 1.27 BSC | | | 0.050 BSC | | |
| y | - | - | 0.1 | - | - | 0.004 |
| X | - | 2.34 | - | - | 0.092 | - |
| Y | - | 2.34 | - | - | 0.092 | - |
| θ | 0° | - | 8° | 0° | - | 8° |

Mold flash shall not exceed 0.25mm per side

JEDEC outline: MS-012 BA