

Dual 4-channel Analog Multiplexer/Demultiplexer
AZ4052
General Description

The AZ4052 is high-speed si-gate CMOS device. The AZ4052 is dual 4-channel analog multiplexers or demultiplexers with common select logic. Each multiplexer has four independent inputs/outputs (pins nY0 to nY3) and a common input/output (pin nZ). The common channel select logics include two digital select inputs (pins S0 and S1) and an active LOW enable input (pin \bar{E}). When pin \bar{E} =LOW, one of the four switches is selected (Low-impedance On-state) with pins S0 and S1. When pin \bar{E} =HIGH, all switches are in the high-impedance Off-state, independent of pins S0 and S1. V_{CC} and GND are the supply voltage pins for the digital control inputs (pins S0, S1 and \bar{E}). The V_{CC} to GND ranges are 3.0V to 10V. The analog inputs/outputs (pins nY0 to nY3 and nZ) can swing between V_{CC} as a positive limit and V_{EE} as a negative limit. $V_{CC}-V_{EE}$ may not exceed 10V. For operation as a digital multiplexer/demultiplexer, V_{EE} is connected to GND (Typically Ground).

The AZ4052 is available in standard packages of SOIC-16 and DIP-16.

Features

- Wide Operation Voltage: $\pm 5.0V$ or 10V
- Low On-resistance:
 - 55Ω (Typ.) at $V_{CC}-V_{EE}=5V$
 - 40Ω (Typ.) at $V_{CC}-V_{EE}=10V$
- Ultra Low THD+N:
 - 0.003% @ 10V, 0.008% @ 5.0V
- Ultra Low Crosstalk: -120dB
- Ultra Low Noise: $6.0\mu V_{RMS}$
- Operating Temperature: $-40^{\circ}C$ to $85^{\circ}C$

Applications

- LCD TV/PDP TV/CRT TV
- 4:1 Multi-channel Signal Selecting

Function Table

Control Input			On Channel	
\bar{E}	S1	S0		
L	L	L	nY0	nZ
L	L	H	nY1	nZ
L	H	L	nY2	nZ
L	H	H	nY3	nZ
H	X	X	None	

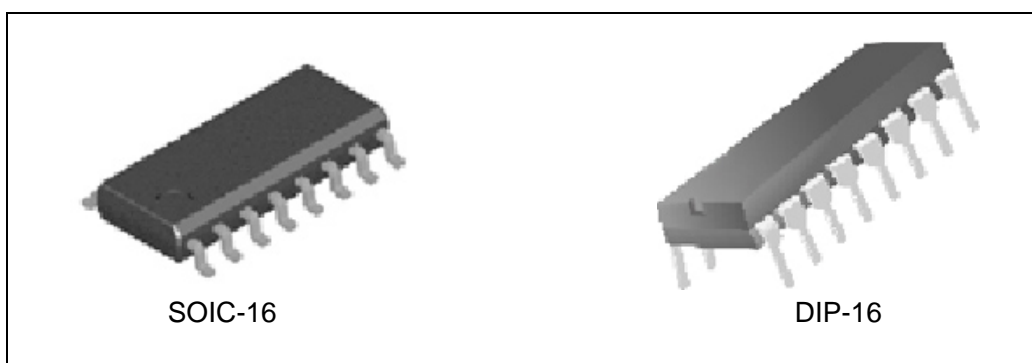


Figure 1. Package Types of AZ4052

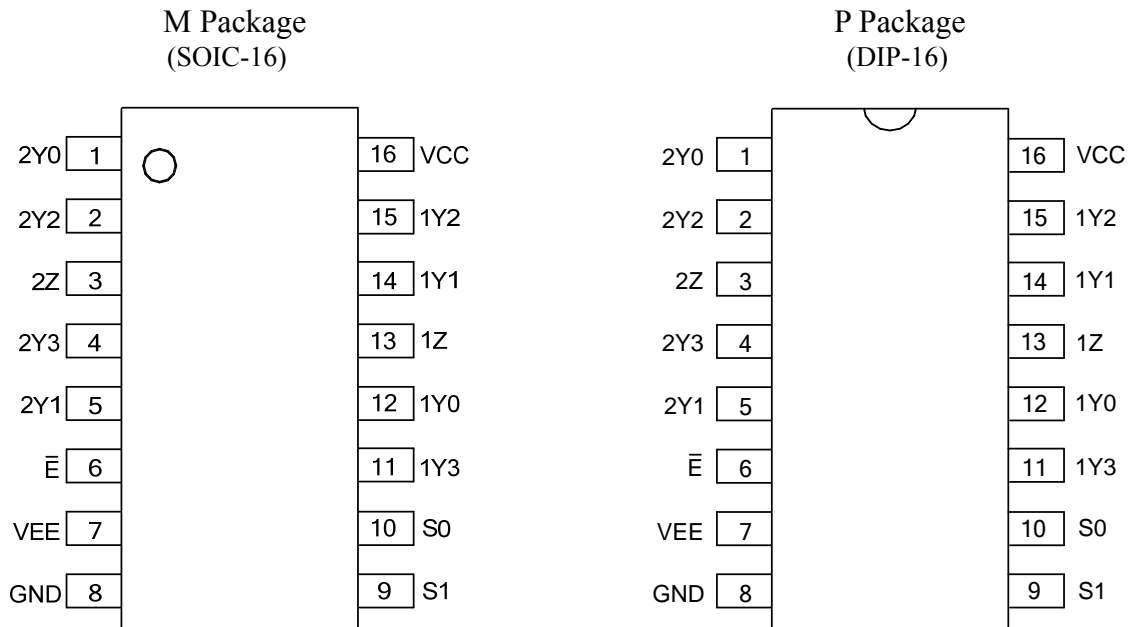
Dual 4-channel Analog Multiplexer/Demultiplexer
AZ4052
Pin Configuration


Figure 2. Pin Configuration of AZ4052 (Top View)

Pin Descriptions

Pin Number	Pin Name	Function
1	2Y0	2CH signal input or output terminal 0
2	2Y2	2CH signal input or output terminal 2
3	2Z	2CH common signal input or output terminal
4	2Y3	2CH signal input or output terminal 3
5	2Y1	2CH signal input or output terminal 1
6	\bar{E}	Enable input (Active LOW)
7	VEE	Negative supply voltage
8	GND	Ground (0V)
9	S1	Select logic input terminal 1
10	S0	Select logic input terminal 0
11	1Y3	1CH signal input or output terminal 3
12	1Y0	1CH signal input or output terminal 0
13	1Z	1CH common signal input or output terminal
14	1Y1	1CH signal input or output terminal 1
15	1Y2	1CH signal input or output terminal 2
16	VCC	Positive supply voltage

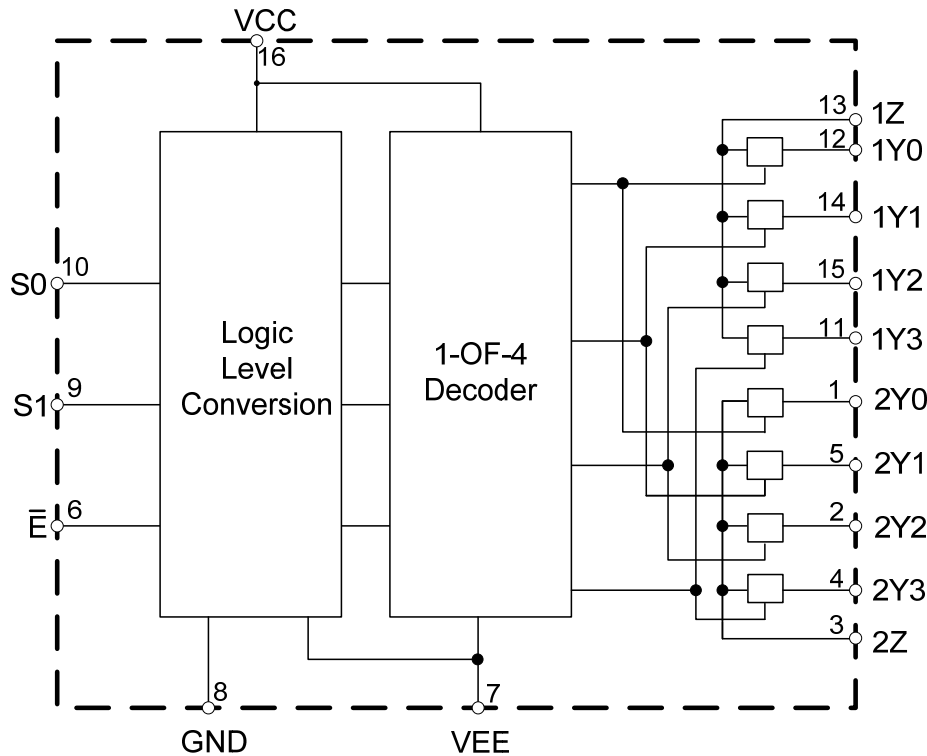
Functional Block Diagram


Figure 3. Functional Block Diagram of AZ4052

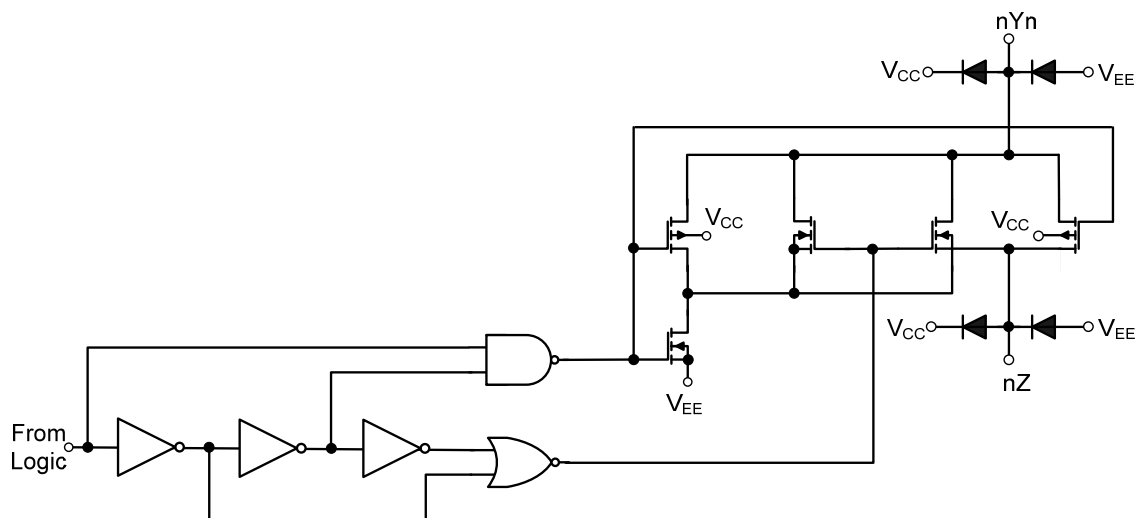
Schematic Diagram (One Switch)


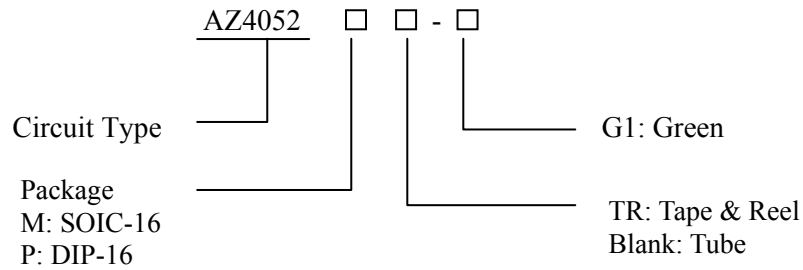
Figure 4. Schematic Diagram of AZ4052



Dual 4-channel Analog Multiplexer/Demultiplexer

AZ4052

Ordering Information



Package	Temperature Range	Part Number	Marking ID	Packing Type
SOIC-16	-40 to 85°C	AZ4052M-G1	AZ4052M-G1	Tube
		AZ4052MTR-G1	AZ4052M-G1	Tape & Reel
DIP-16	-40 to 85°C	AZ4052P-G1	AZ4052P-G1	Tube

BCD Semiconductor's Pb-free products, as designated with "G1" suffix in the part number, are RoHS compliant and Green.

**Dual 4-channel Analog Multiplexer/Demultiplexer****AZ4052****Absolute Maximum Ratings (Note 1, 2)**

Parameter	Symbol	Condition	Value	Unit
Power Supply Voltage	V_{CC}		-0.5 to 11.0	V
Input Diode Current	I_{IK}	$V_I < -0.5V,$ $V_I > V_{CC} + 0.5V$	20	mA
Switch Diode Current	I_{SK}	$V_s < -0.5V,$ $V_s > V_{CC} + 0.5V$	20	mA
Switch Current	I_S	$-0.5V < V_s < V_{CC} + 0.5V$	25	mA
V_{EE} Current	I_{EE}		20	mA
V_{CC} Current	I_{CC}		50	mA
GND Current	I_{GND}			
Power Dissipation	P_D	$T_A = -40^\circ C$ to $85^\circ C$ (Note 3)	500	mW
Storage Temperature Range	T_{STG}		-65 to 150	$^\circ C$
Operating Junction Temperature Range	T_J		150	$^\circ C$
Power Dissipation Per Switch	P_S		100	mW
ESD (Machine Model)			200	V
ESD (Human Body Model)			2000	V

Note 1: Stresses greater than those listed under “Absolute Maximum Ratings” may cause permanent damage to the device. These are stress ratings only and functional operation of the device at these or any other conditions beyond those indicated under “Recommended Operating Conditions” is not implied. Exposure to “Absolute Maximum Ratings” for extended periods may affect device reliability.

Note 2: To avoid drawing V_{CC} current out of pins nZ, when switch current flows in pins nYn, the voltage drop across the bidirectional switch must not exceed 0.4V. If the switch current flows into pins nZ, no V_{CC} current will flow out of pins nYn. In this case there is no limit for the voltage drop across the switch, but the voltages at pins nYn and nZ may not exceed V_{CC} or V_{EE} .

Note 3: Above $70^\circ C$ derate linearly with 12mW/K (DIP-16 package).

Above $70^\circ C$ derate linearly with 8mW/K (SOIC-16 package)



Dual 4-channel Analog Multiplexer/Demultiplexer

AZ4052

Recommended Operating Conditions

Parameter	Symbol	Condition	Min	Typ	Max	Unit
Supply Voltage	V_{IN}	V_{CC} -GND	3.0		10	V
		V_{CC} - V_{EE}	3.0		10	
Logic Input Voltage	V_I		V_{EE}		V_{CC}	V
Switch Signal Input/ Output Voltage	V_{IS}/V_{OS}		V_{EE}		V_{CC}	V
Operating Ambient Temperature Range	T_A		-40		85	°C
Input Rise and Fall Time	t_r, t_f	$V_{CC}=5.0V$		6.0	400	ns
		$V_{CC}=10V$		6.0	250	

Electrical Characteristics

DC Characteristics

V_{IS} is the input voltage at pins nYn or nZ, whichever is assigned as an input; V_{OS} is the output voltage at pins nZ or nYn, whichever is assigned as an output, voltages are referenced to GND (Ground=0V).

Parameter	Symbol	Conditions			Min	Typ	Max	Unit
		Other	$V_{CC}(V)$	$V_{EE}(V)$				
High-level Input Voltage	V_{IH}		5.0		2.8			V
			10		6.0			
Low-level Input Voltage	V_{IL}		5.0				1.5	V
			10				3.0	
Input Leakage Current	I_{LI}	$V_I=V_{CC}$ or GND	5.0	0			±1.0	μA
			10	0			±1.0	μA
Analog Switch Off-state Current	I_S (Off)	$V_I=V_{IH}$ or V_{IL} , $ V_S =V_{CC}-V_{EE}$ (Figure 5)	5.0				±1.0	μA
			10	0			±1.0	μA
			10	0			±2.0	μA
Analog Switch On-state Current	I_S (On)	$V_I=V_{IH}$ or V_{IL} , $ V_S =V_{CC}-V_{EE}$ (Figure 6)	10	0			±2.0	μA
Quiescent Supply Current	I_{CC}	$V_I=V_{CC}$ or GND, $V_{IS}=V_{EE}$ or V_{CC} , $V_{OS}=V_{CC}$ or V_{EE}	5.0	0	50	160	μA	
			10	0	100	320	μA	

**Dual 4-channel Analog Multiplexer/Demultiplexer****AZ4052****Electrical Characteristics (Continued)****Resistance R_{ON}** V_{IS} is the input voltage at pins nYn or nZ, which is assigned as an input ((note 4) see figure 7)

Parameter	Symbol	Conditions				Min	Typ	Max	Unit
		Other	V_{CC} (V)	V_{EE} (V)	I_S (μA)				
On-resistance (Peak)	R_{ON} (Peak)	$V_{IS}=V_{CC}$ to V_{EE} , $V_I=V_{IH}$ or V_{IL}	5.0	0	1000		73	180	Ω
			10	0	1000		47	120	Ω
On-resistance (Rail)	R_{ON} (Rail)	$V_{IS}=V_{EE}$, $V_I=V_{IH}$ or V_{IL}	5.0	0	1000		55	130	Ω
			10	0	1000		40	100	Ω
		$V_{IS}=V_{CC}$, $V_I=V_{IH}$ or V_{IL}	5.0	0	1000		61	150	Ω
			10	0	1000		45	110	Ω
Maximum On-resistance Difference Between Any Two Channels	R_{ON}	$V_{IS}=V_{CC}$ to V_{EE} , $V_I=V_{IH}$ or V_{IL}	5.0	0			5		Ω
			10	0			6		Ω

Note 4: When supply voltages ($V_{CC}-V_{EE}$) near 2.0V the analog switch On-resistance becomes extremely non-linear. When using a supply of 2V, it is recommended to use these devices only for transmitting digital signals.



Dual 4-channel Analog Multiplexer/Demultiplexer

AZ4052

Electrical Characteristics (Continued)

AC Characteristics

GND=0V, $t_r=t_f=6ns$, $C_L=50pF$

Parameter	Symbol	Conditions			Min	Typ	Max	Unit
		Other	V _{CC} (V)	V _{EE} (V)				
Propagation Delay V _{IS} to V _{OS}	t _{PHL} /t _{PLH}	R _L =∞ (Figure 24)	5.0	0		15	25	ns
			5.0	-5.0		12	25	ns
Turn-on Time E, Sn to V _{OS}	t _{PZH} /t _{PZL}	R _L =1kΩ (Figure 25 and 26)	5.0	0		38	81	ns
			5.0	-5.0		26	81	ns
Turn-off Time E, Sn to V _{OS}	t _{PHZ} /t _{PLZ}	R _L =1kΩ (Figure 25 and 26)	5.0	0		27	63	ns
			5.0	-5.0		22	48	ns

Recommended conditions and typical values, GND=0V, T_A=25°C, C_L=50pF. V_{IS} is the input voltage at pins nYn or nZ, whichever is assigned as an input. V_{OS} is the output voltage at pins nYn or nZ, whichever is assigned as an output.

Parameter	Symbol	Conditions				Min	Typ	Max	Unit
		Other	V _{IS} (p-p) (V)	V _{CC} (V)	V _{EE} (V)				
Sine-wave Distortion	d _{SIN}	f=1kHz, R _L =10kΩ (Figure 8)	0.5	5.0	0		0.008		%
			1.5	10	0		0.003		%
		f=10kHz, R _L =10kΩ (Figure 8)	0.5	5.0	0		0.008		%
			1.5	10	0		0.003		%
Switch OFF Signal Feed-through	α _{OFF} (Feedthrough)	R _L =10kΩ, f=1MHz (Figure 9), V _{IS} =1V _{RMS}		5.0	0		-50		dB
				5.0	-5.0		-50		dB
Crosstalk Between Two Channels	α _{CT(S)}	R _L =10kΩ, f=1kHz (Figure 10), V _{IS} =1V _{RMS}		5.0	0		-120		dB
				5.0	-5.0		-120		dB
Crosstalk Between Two Switches / Multiplexers	α _{CT(S)}	R _L =10kΩ, f=1kHz (Figure 10), V _{IS} =1V _{RMS}		5.0	0		-60		dB
				5.0	-5.0		-60		dB
Crosstalk Voltage Between Control and Any Switch (Peak-to-peak Value)	V _{CT(P-P)}	R _L =10kΩ, f=1MHz, E or Sn, Square-wave Between V _{CC} and GND, t _r =t _f =6ns (Figure 11)		5.0	0		110		mV
Frequency Response (-3dB)	f _{MAX}	R _L =10kΩ (Figure 8)		5.0	0		70		MHz
				5.0	-5.0		70		MHz
Output Noise Voltage	V _{NOISE}	A-weighted		5.0	0		6.0		μV _{RMS}

Typical Test Circuit

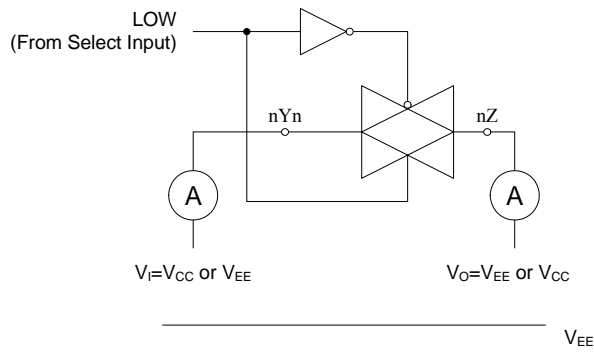


Figure 5. Test Circuit for Measuring OFF-state Current

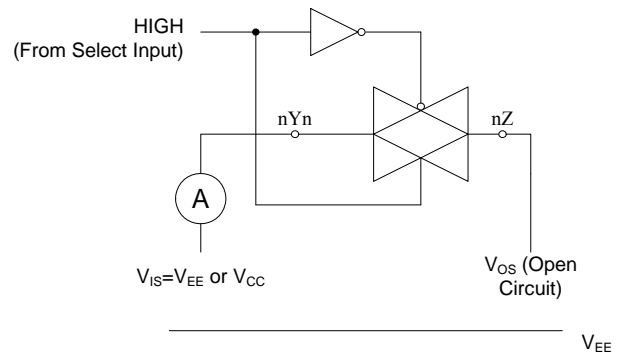


Figure 6. Test Circuit for Measuring ON-state Current

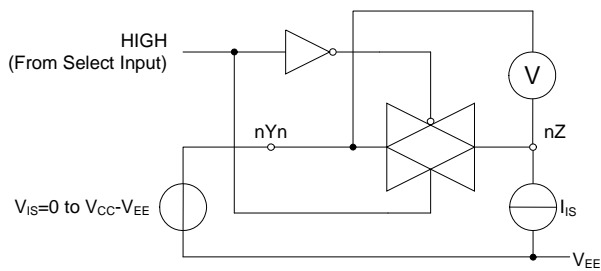


Figure 7. Test Circuit for Measuring R_{ON}

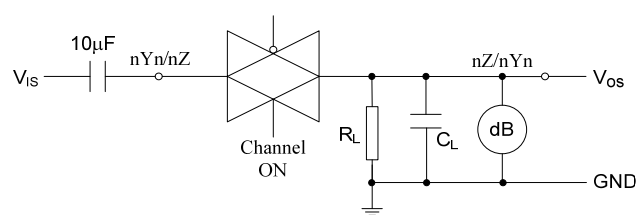


Figure 8. Test Circuit for Measuring Sine-wave Distortion and Minimum Frequency Response

Typical Test Circuit (Continued)

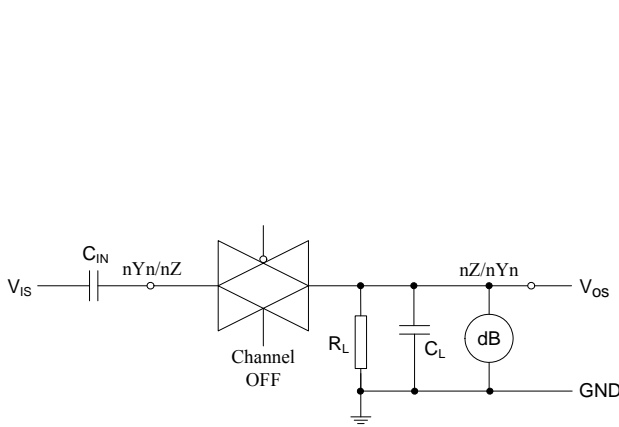
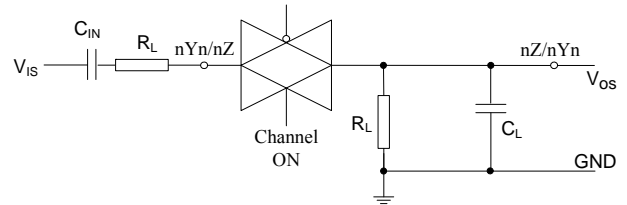
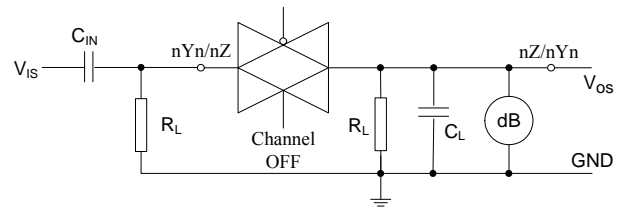


Figure 9. Test Circuit for Measuring Switch Off Signal Feed-through



(a) Channel ON Condition



(b) Channel OFF Condition

Figure 10. Test Circuits for Measuring Crosstalk Between Any Two Switches/Multiplexers

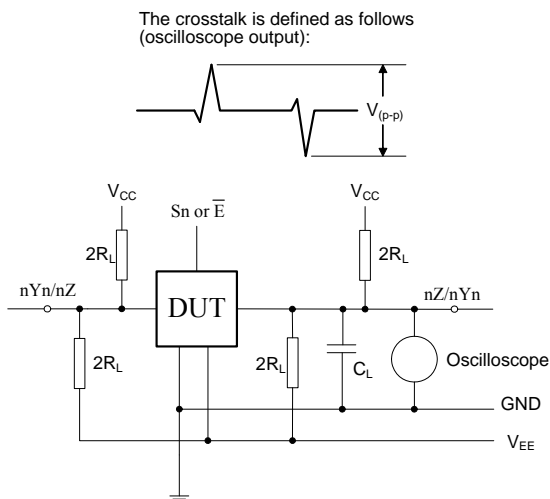


Figure 11. Test Circuit for Measuring Crosstalk Performance

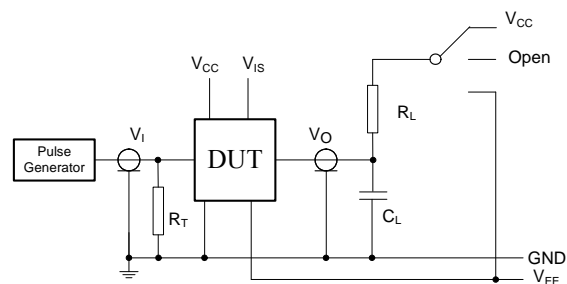


Figure 12. Test Circuit for Measuring AC Between Control and Any Switch

Typical Performance Characteristics

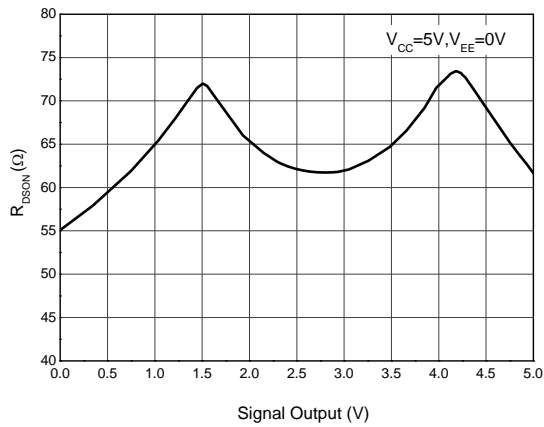


Figure 13. R_{DSON} vs. Signal Output

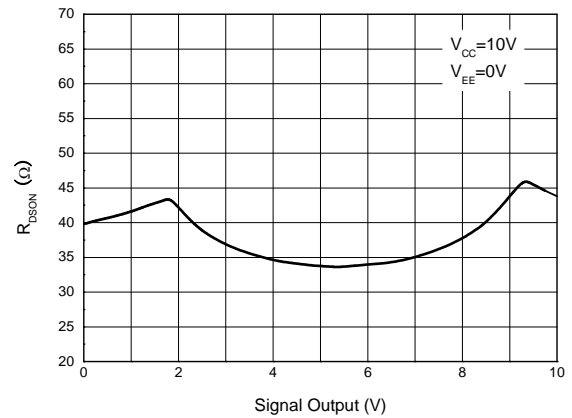


Figure 14. R_{DSON} vs. Signal Output

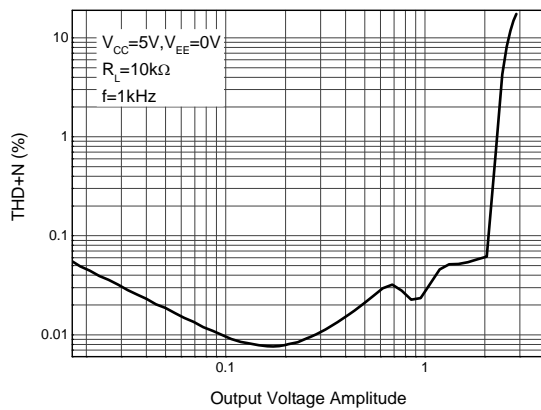


Figure 15. THD+N vs. Output Voltage Amplitude

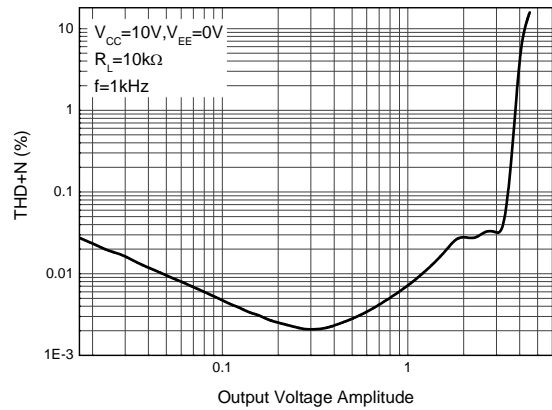


Figure 16. THD+N vs. Output Voltage Amplitude

Typical Performance Characteristics (Continued)

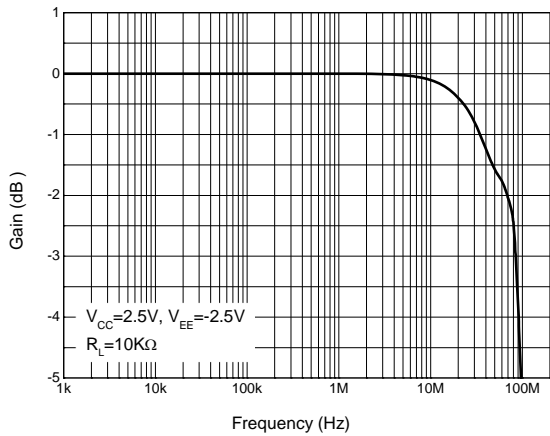


Figure 17. Frequency Response

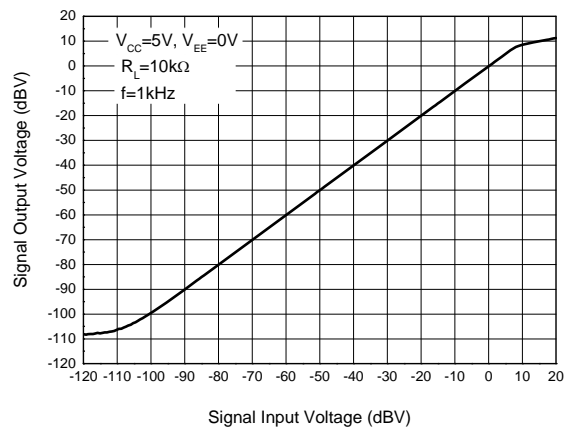


Figure 18. Linear Range

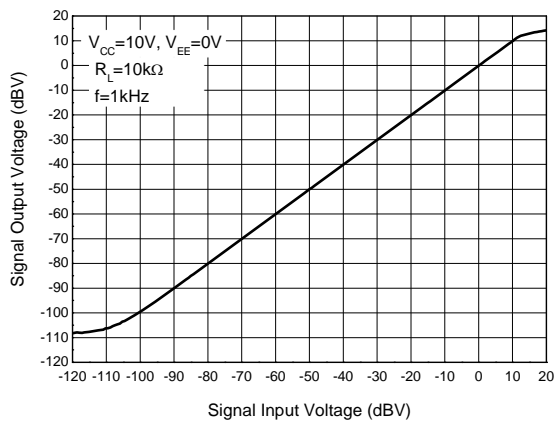


Figure 19. Linear Range

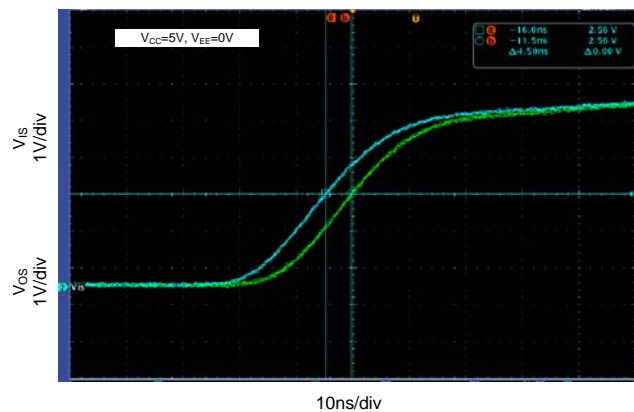


Figure 20. Propagation Delay

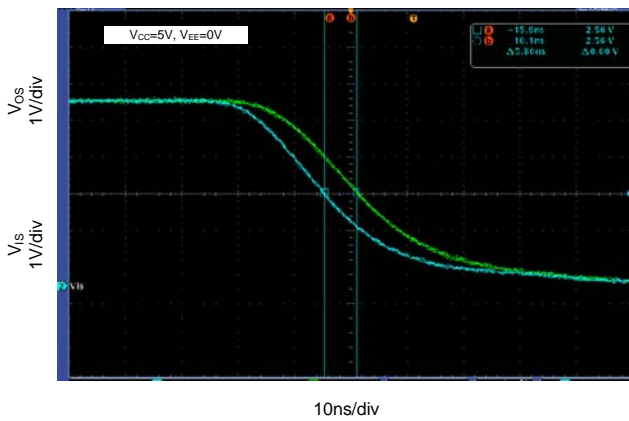
Typical Performance Characteristics (Continued)


Figure 21. Propagation Delay

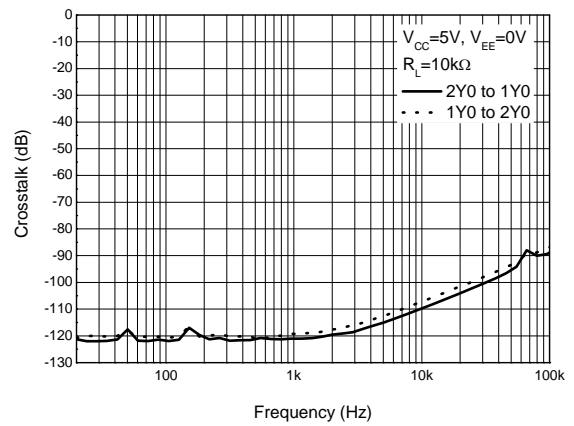


Figure 22. Crosstalk vs. Frequency

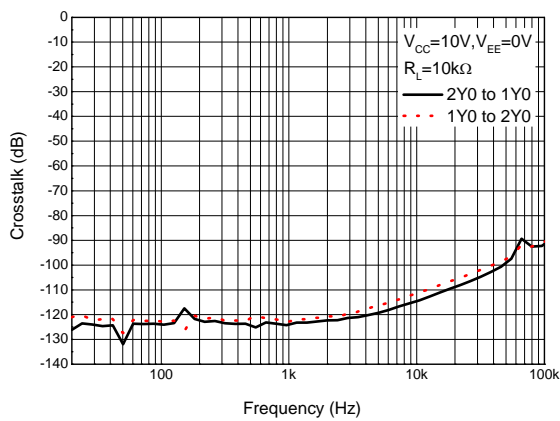
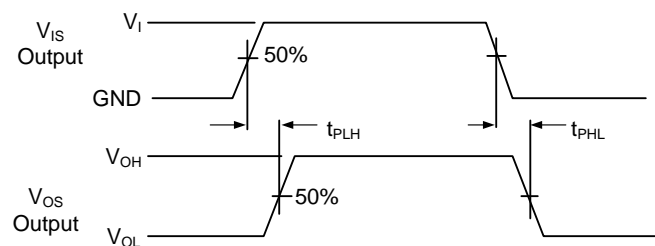


Figure 23. Crosstalk vs. Frequency


 Figure 24. Waveforms Showing the Input (V_{IS}) to Output (V_{OS}) Propagation Delays

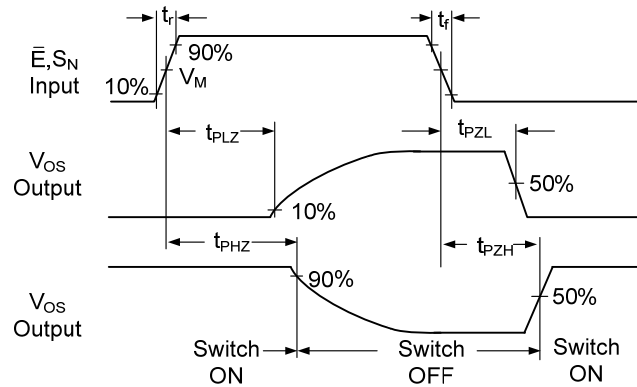
Typical Performance Characteristics (Continued)


Figure 25. Waveforms Showing the Turn-on and Turn-off Times
($V_M = 50\%$, $V_I = \text{GND to } V_{CC}$)

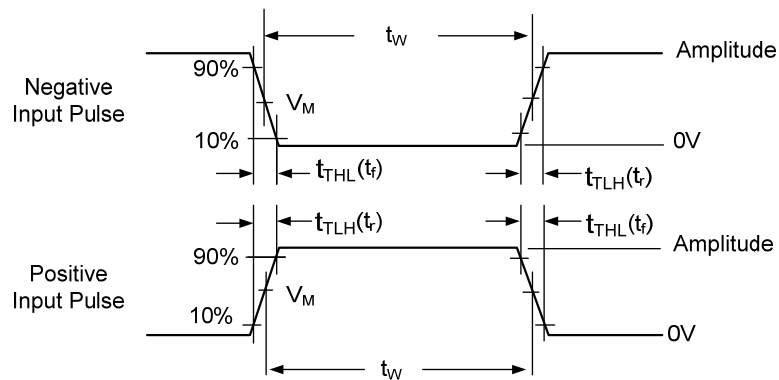


Figure 26. Input Pulse Definitions

Amplitude	V_M	t_r and t_f	
		F_{\max} Pulse Width	Other
V_{CC}	50%	< 2ns	6ns

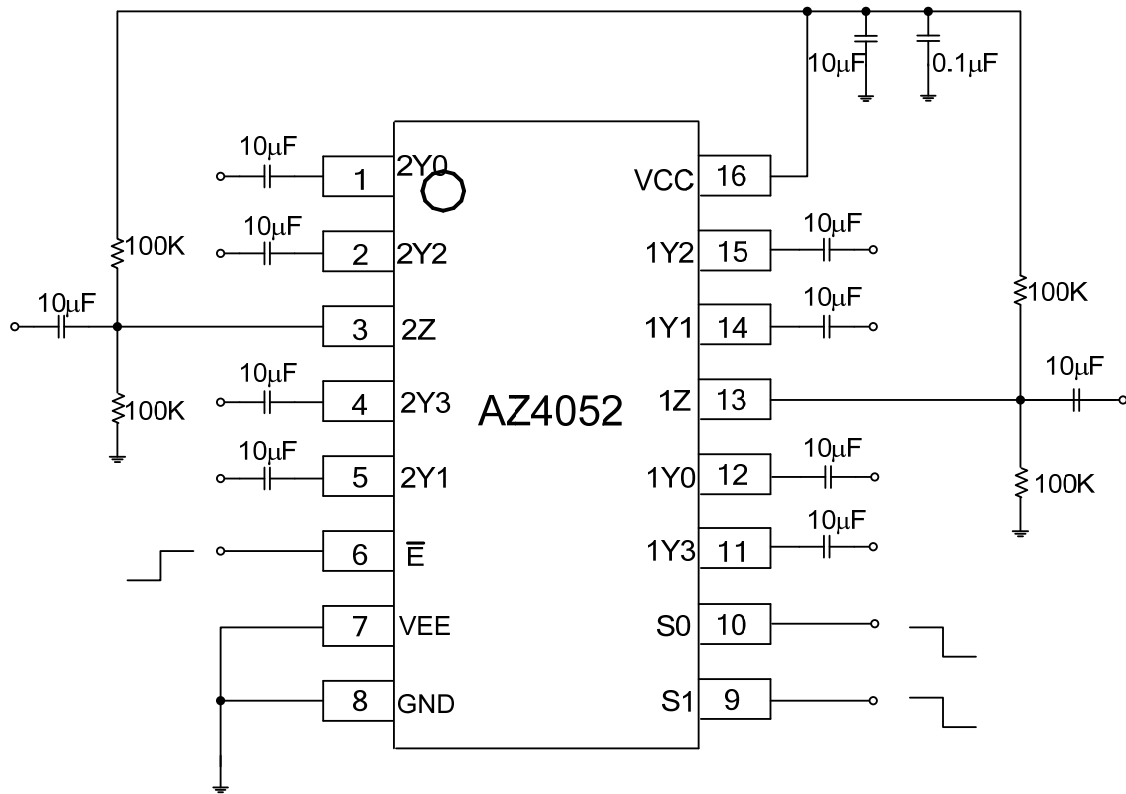
Dual 4-channel Analog Multiplexer/Demultiplexer
AZ4052
Typical Application


Figure 27. Typical Application of AZ4052



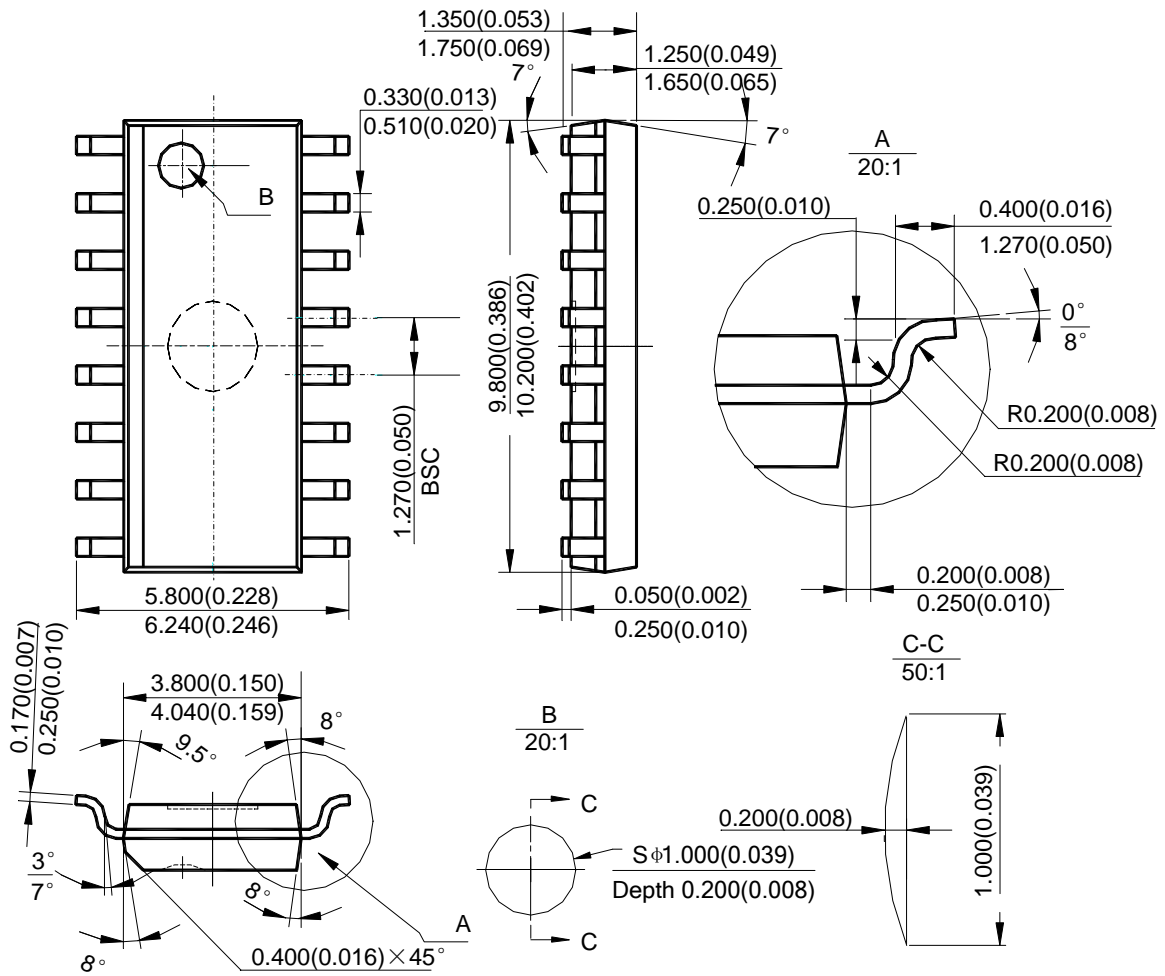
Dual 4-channel Analog Multiplexer/Demultiplexer

AZ4052

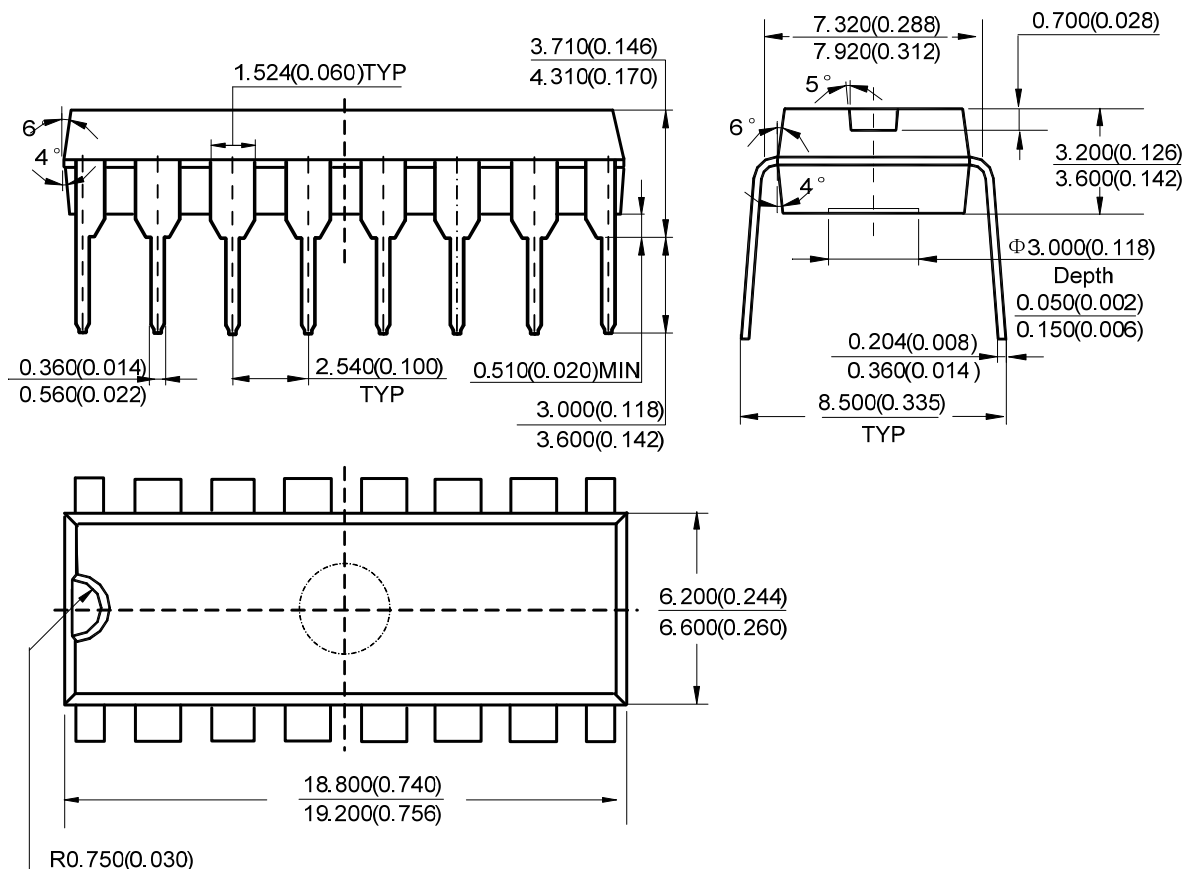
Mechanical Dimensions

SOIC-16

Unit: mm(inch)



Note: Eject hole, oriented hole and mold mark is optional.

Dual 4-channel Analog Multiplexer/Demultiplexer
AZ4052
Mechanical Dimensions (Continued)
DIP-16
Unit: mm(inch)


Note: Eject hole, oriented hole and mold mark is optional



BCD Semiconductor Manufacturing Limited

<http://www.bcdsemi.com>

IMPORTANT NOTICE

BCD Semiconductor Manufacturing Limited reserves the right to make changes without further notice to any products or specifications herein. BCD Semiconductor Manufacturing Limited does not assume any responsibility for use of any its products for any particular purpose, nor does BCD Semiconductor Manufacturing Limited assume any liability arising out of the application or use of any its products or circuits. BCD Semiconductor Manufacturing Limited does not convey any license under its patent rights or other rights nor the rights of others.

MAIN SITE

- Headquarters

BCD Semiconductor Manufacturing Limited

No. 1600, Zi Xing Road, Shanghai Zizhu Science-based Industrial Park, 200241, China
Tel: +86-21-24162266, Fax: +86-21-24162277

- Wafer Fab

Shanghai SIM-BCD Semiconductor Manufacturing Co., Ltd.

800 Yi Shan Road, Shanghai 200233, China
Tel: +86-21-6485 1491, Fax: +86-21-5450 0008

REGIONAL SALES OFFICE

Shenzhen Office

Shanghai SIM-BCD Semiconductor Manufacturing Co., Ltd., Shenzhen Office

Unit A Room 1203, Skyworth Bldg., Gaoxin Ave. 1.S., Nanshan District, Shenzhen, China
Tel: +86-755-8826 7951
Fax: +86-755-8826 7865

Taiwan Office

BCD Semiconductor (Taiwan) Company Limited

4F, 298-1, Rui Guang Road, Nei-Hu District, Taipei, Taiwan
Tel: +886-2-2656 2808
Fax: +886-2-2656 2806

USA Office

BCD Semiconductor Corp.

30920 Huntwood Ave. Hayward, CA 94544, USA
Tel : +1-510-324-2988
Fax: +1-510-324-2788