

AZ762P

20 A SPDT MINIATURE POWER RELAY

FEATURES

- Latching relay
- Dielectric strength 4400 Vrms
- Epoxy sealed versions available
- 20 Amp switching
- High inrush current 500A / 2ms available
- UL, CUR file E44211



CONTACTS

Arrangement	SPDT (1 Form C) SPST (1 Form A, 1 Form B)
Ratings	Resistive load: Max. switched power: 5000 VA Max. switched current: 20 A Max. switched voltage: 277 VAC
Rated Load UL, CUR	20A at 250 VAC, Resistive, 20k cycles [1] 16A at 250 VAC, Resistive, 100k cycles [1] 1.5 HP at 250 VAC, Motor, 6k cycles [1] .5 HP at 120 & 250 VAC, Motor, 20k cycles (form A) [1] TV-8 at 240VAC, 25k cycles (form A) [1] Tungsten 1662W 6A at 277VAC, 6k cycles (form A) [1] Tungsten 1800W 15A at 120VAC, 20k cycles (form A) [1] Electronic ballast 1800W 15A at 120VAC, 20k cycles (form A) [1] Standard ballast 1662W 6A at 277VAC, 6k cycles (form A) [1] 'T' High Inrush Version (Form A 5.0mm Only) 3300W at 277VAC, Electronic Ballast, 20k cycles [2] 3000W at 220VAC, Tungsten, 6k cycles [2] 1500W at 347VAC, Std. Ballast, 20k cycles [2]
Material	[1] Silver tin oxide, [2] Tungsten/Silver tin oxide
Resistance	< 50 milliohms initially (at 1A, 24 VDC)

COIL

Power	
At Pickup Voltage (typical)	1 Coil: 256 mW 2 Coils: 384 mW
Max. Continuous Dissipation	1 Coil: 0.4 W 2 Coils: 0.6 W
Temperature Rise	26°C (47°F) at nominal coil voltage
Max. Temperature	130°C (266°F)

GENERAL DATA

Life Expectancy Mechanical Electrical	Minimum operations 1 x 10 ⁶ 1 x 10 ⁵ at 16 A 250 VAC Res.
Set Time (typical)	15 ms at nominal coil voltage
Reset Time (typical)	15 ms at nominal coil voltage (with no coil suppression)
Min. Pulse Time	75ms
Max Pulse Time	1 min.
Dielectric Strength (at sea level for 1 min.)	4400 VAC coil to contact 1000 VAC between open contacts
Surge Voltage Coil to Contact	10,000V (at 1.2x50 μs)
Insulation Resistance	1000 megohms min. at 20°C 500 VDC 50% RH
Ambient Temperature Operating Storage	At nominal coil voltage -40°C (-40°F) to 85°C (185°F) 0°C (32°F) to 40°C (104°F)
Vibration	0.062" DA at 10-55 Hz
Shock	10 g
Enclosure	P.B.T. polyester
Terminals	Tinned copper alloy, P.C.
Max. Solder Temp.	270°C (518°F)
Max. Solder Time	5 seconds
Max. Solvent Temp.	80°C (176°F)
Weight	13 g

NOTES

1. All values at 23°C (73.4°F).
2. Relay may pull in with less than "Must Operate" value.
3. Specifications subject to change without notice.
4. Check the relay set/reset state before energizing the relay in application.

AZ762P

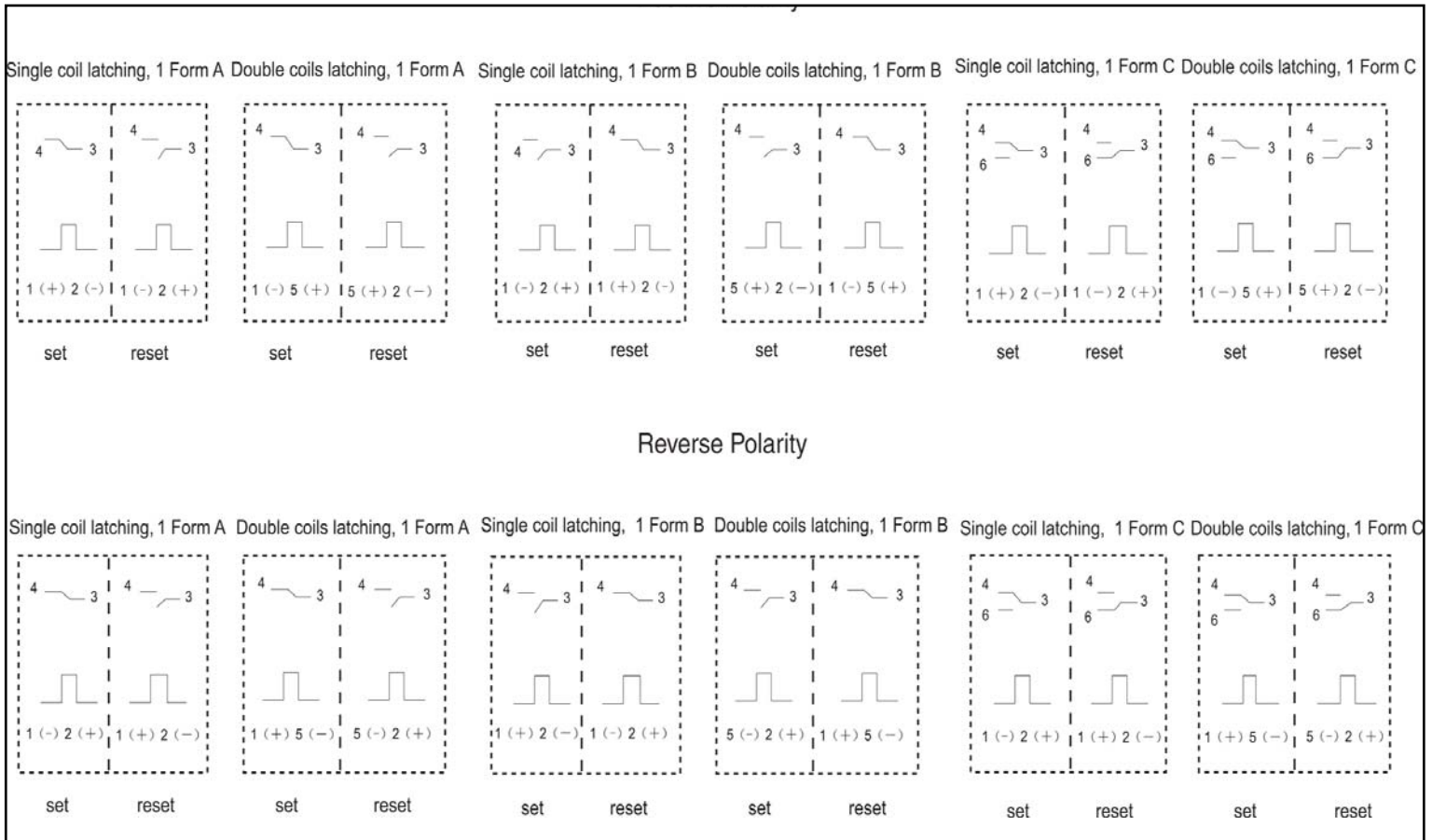
RELAY ORDERING DATA

COIL SPECIFICATIONS - SINGLE COIL LATCHING				ORDER NUMBER*	
Nominal Coil VDC	Must Operate VDC	Max. Continuous VDC	Coil Resistance $\pm 10\%$	Unsealed	Sealed
3	2.4	3.9	22.5	AZ762P1-1CE-3D	AZ762P1-1CE-3DE
5	4.0	6.5	62.5	AZ762P1-1CE-5D	AZ762P1-1CE-5DE
6	4.8	7.8	90	AZ762P1-1CE-6D	AZ762P1-1CE-6DE
12	9.6	15.6	360	AZ762P1-1CE-12D	AZ762P1-1CE-12DE
24	19.2	31.2	1,440	AZ762P1-1CE-24D	AZ762P1-1CE-24DE

COIL SPECIFICATIONS - DUAL COIL LATCHING					ORDER NUMBER*	
Nominal Coil VDC	Must Operate VDC	Max. Continuous VDC	Coil 1 Resistance $\pm 10\%$	Coil 2 Resistance $\pm 10\%$	Unsealed	Sealed
3	2.4	3.9	15	15	AZ762P2-1CE-3D	AZ762P2-1CE-3DE
5	4.0	6.5	42	42	AZ762P2-1CE-5D	AZ762P2-1CE-5DE
6	4.8	7.8	60	60	AZ762P2-1CE-6D	AZ762P2-1CE-6DE
12	9.6	15.6	240	240	AZ762P2-1CE-12D	AZ762P2-1CE-12DE
24	19.2	31.2	886	886	AZ762P2-1CE-24D	AZ762P2-1CE-24DE

* Substitute "1A" or "1B" in place of "1C" for Form A or B respectively. Form A relay is in the reset position. Form B relay is in the set position. Add suffix "K" for 3.5mm pin spacing version. Replace '1AE' with '1AT' for W+AgSnO2 high inrush contacts (Form A, 5.0mm pin spacing only). Add suffix "L" for 2.5mm pin spacing version. Note, Form C only available in 5.0mm and 3.5mm pin spacing. Add suffix "R" for reversed polarity coil.

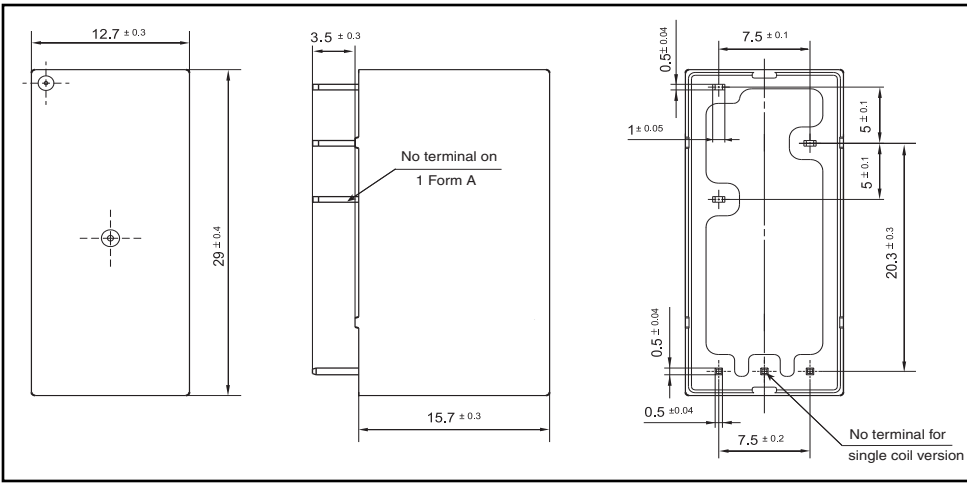
WIRING DIAGRAM



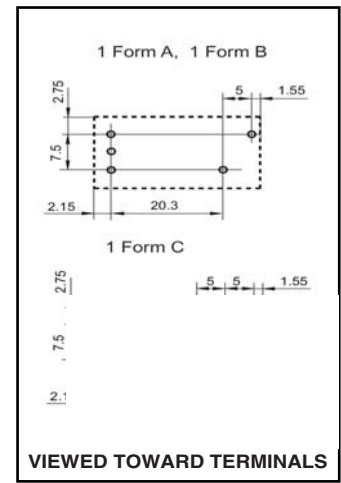
AZ762P

MECHANICAL DATA

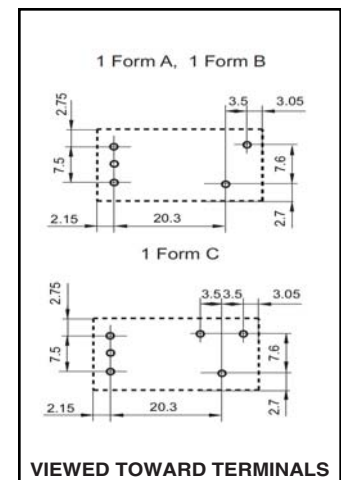
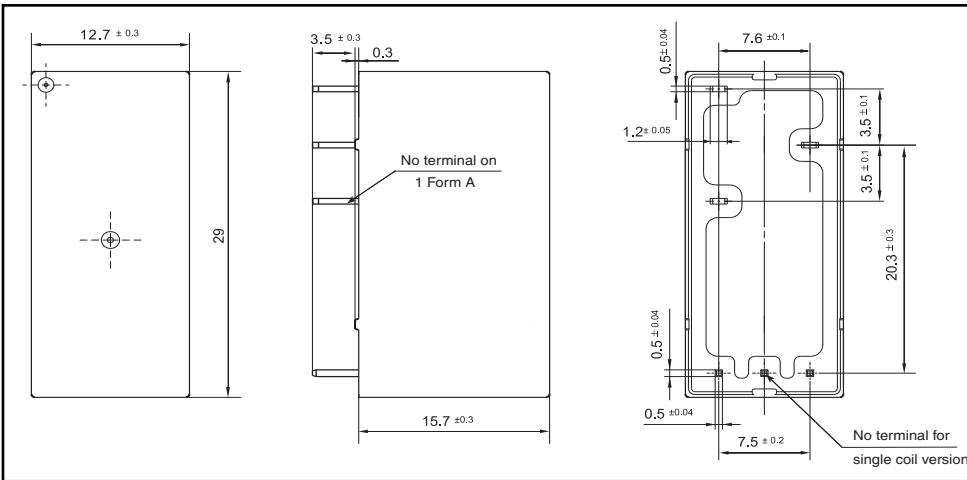
5.0mm Spacing - Standard



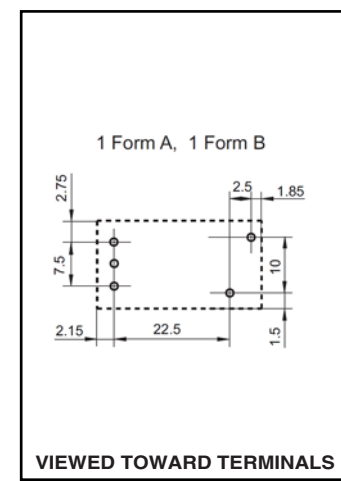
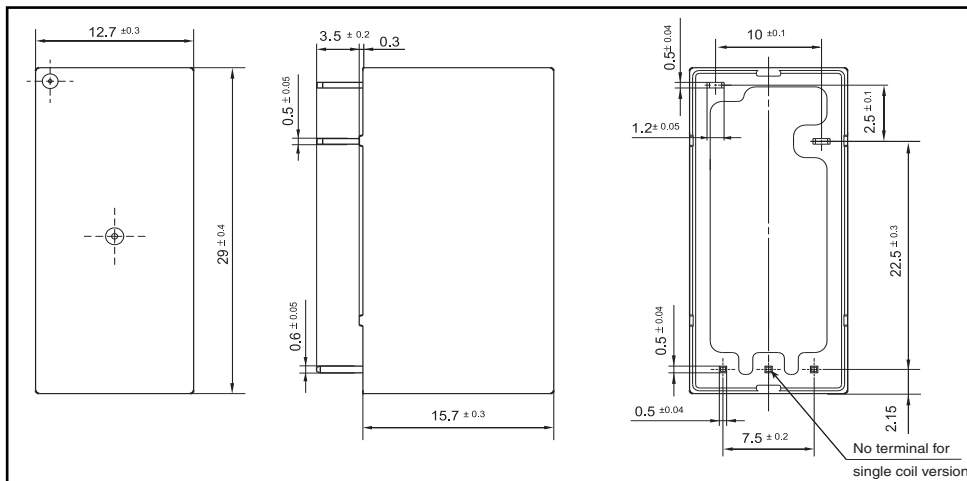
PCB LAYOUT



3.5mm Spacing - Suffix "K"



2.5mm Spacing - Suffix "L"



Dimensions in metric.