



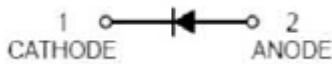
DESCRIPTION

The B0520WS~B0540WS are available in SOD-323 Package

ORDERING INFORMATION

Package Type	Part Number
SOD-323	B0520WS
	B0530WS
	B0540WS
Note	SPQ:3,000pcs/Reel
AiT provides all RoHS Compliant Products	

PIN DESCRIPTION



FEATURES

- Low Forward Voltage Drop
- Guard Ring Construction For Transient Protection.
- Negligible Reverse Recovery Time.
- Low Reverse Capacitance.
- Available in SOD-323 Package

APPLICATIONS

- Schottky barrier switching.



ABSOLUTE MAXIMUM RATINGS

@ T_A=25°C, unless otherwise specified

Parameter	Symbol	B0520WS	B0530WS	B0540WS	Unit
Peak Repetitive Peak Reverse Voltage Working Peak	V _{RR}				
DC Reverse Voltage	V _{RWM}	20	30	40	V
	V _R				
RMS Reverse Voltage	V _{R(RMS)}	14	21	28	V
Forward Continuous Current	I _F	350			mA
Repetitive Peak Forward Current @t≤1.0s	I _{FRM}	1.5			A
Power Dissipation	P _D	400			mW
Thermal Resistance Junction to Ambient	R _{θJA}	300			°C/W
Storage Temperature	T _{STG}	-65-+125			°C

Stresses above may cause permanent damage to the device. These are stress ratings only and functional operation of the device at these or any other conditions beyond those indicated in the Electrical Characteristics are not implied. Exposure to absolute maximum rating conditions for extended periods may affect device reliability.

ELECTRICAL CHARACTERISTICS

@ T_A=25°C, unless otherwise specified

Parameter	Symbol	Conditions	Min.	Typ.	Max.	Unit
Reverse Breakdown Voltage	V _{(BR)R}	I _R =10μA B0520WS	20			V
		I _R =10μA B0530WS	30	-	-	
		I _R =10μA B0540WS	40			
Forward Voltage	V _F	I _F =20mA			0.37	V
		I _F =200mA			0.60	
Reverse Current	I _{RM}	V _R =10V B0520WS				μA
		V _R =20V B0530WS	-	-	5.0	
		V _R =30V B0540WS				
Capacitance Between Terminals	C _T	V _R =0, f=1MHz	-	50	-	pF
Reverse Recovery Time	t _{rr}	I _R =I _F =200mA, I _{rr} =0.1 x I _R , R _L =100Ω	-	10	-	ns



TYPICAL CHARACTERISTICS

@ $T_A=25^\circ\text{C}$, unless otherwise specified

Figure 1. Typical Forward Characteristics

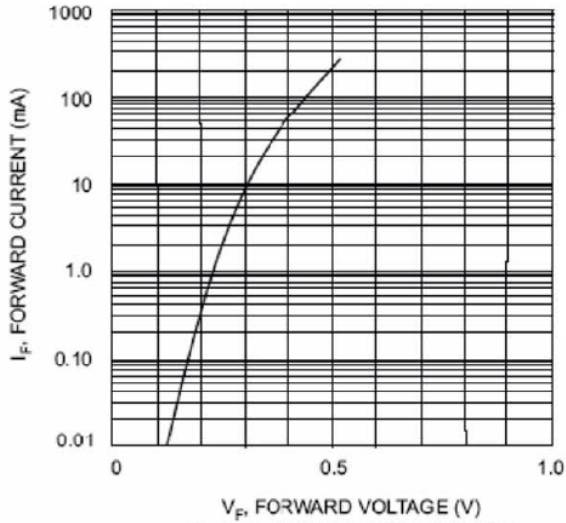
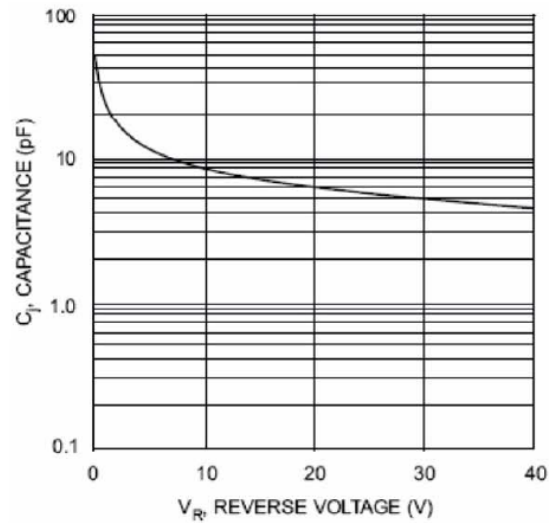
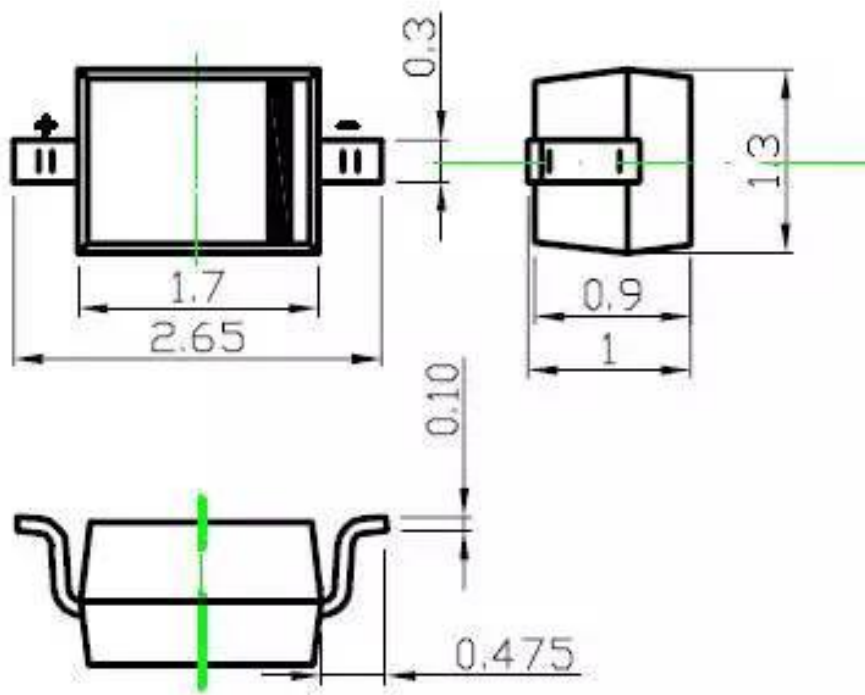


Figure 2. Typ. Junction Capacitance vs. Reverse Voltage



PACKAGE INFORMATION

Dimension in SOD-323 Package (Unit: mm)





IMPORTANT NOTICE

AiT Components (AiT) reserves the right to make changes to any its product, specifications, to discontinue any integrated circuit product or service without notice, and advises its customers to obtain the latest version of relevant information to verify, before placing orders, that the information being relied on is current.

AiT Components' integrated circuit products are not designed, intended, authorized, or warranted to be suitable for use in life support applications, devices or systems or other critical applications. Use of AiT products in such applications is understood to be fully at the risk of the customer. As used herein may involve potential risks of death, personal injury, or servers property, or environmental damage. In order to minimize risks associated with the customer's applications, the customer should provide adequate design and operating safeguards.

AiT Components assumes no liability to customer product design or application support. AiT warrants the performance of its products of the specifications applicable at the time of sale.