

## B0530W SCHOTTKY BARRIER DIODE

### FEATURES

#### Power dissipation

$P_D$ : 410 mW ( $T_{amb}=25^\circ\text{C}$ )

#### Collector current

$I_F$ : 5.5 A

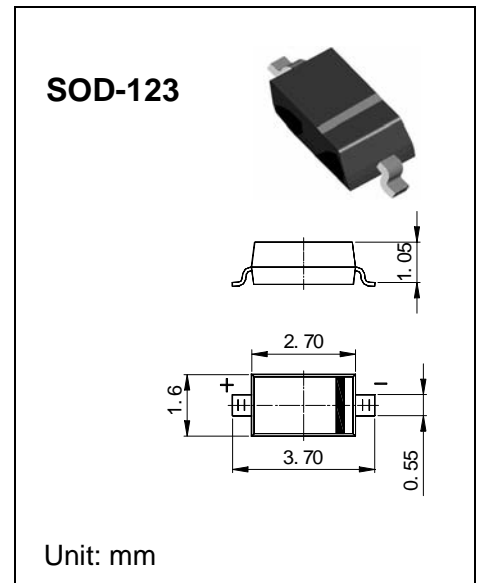
#### Collector-base voltage

$V_R$ : 30 V

#### Operating and storage junction temperature range

$T_J, T_{stg}$ :  $-55^\circ\text{C}$  to  $+150^\circ\text{C}$

### MARKING: SE



### ELECTRICAL CHARACTERISTICS ( $T_{amb}=25^\circ\text{C}$ unless otherwise specified)

Parameter	Symbol	Test conditions	MIN	MAX	UNIT
Reverse breakdown voltage	$V_{(BR)}$	$I_R=200$	30		V
Reverse voltage leakage current	$I_R$	$V_R=15\text{V}$ $V_R=30\text{V}$		20 130	$\mu\text{A}$
Forward voltage	$V_F$	$I_F=0.1\text{A}$ $I_F=0.5\text{A}$		0.375 0.43	V
Diode capacitance	$C_D$	$V_R=0\text{V}, f=1\text{MHz}$		170	pF