

ADSL Transformers

For Broadcom ADSL
CPE Modem chipsets

The B0726-E and C1350-A ADSL transformers have been approved by Broadcom for use with their BCM6335, BCM6338, BCM6345, and BCM6348 ADSL CPE Modem chipsets and their BCM6301 5-Volt Line Driver.

These transformers feature split windings for chip receive, chip transmit and line side. They offer 1875 Vrms isolation,

low DC resistance, low leakage inductance and excellent total harmonic distortion. Their compact design makes them suitable for high density applications.

Coilcraft can also custom design transformers to meet your specific requirements. For free evaluation samples, contact Coilcraft or visit www.coilcraft.com.

Part number ¹	ADSL Annex	Inductance ² ±5% (µH)	DCR max (Ohms)	Leakage inductance ³ max (µH)	Interwinding capacitance ⁴ (pF)	Turns ratio		THD ⁵ typ (dB)
						chip tx : chip rx	chip tx : line	
B0726-EL_	A	400	0.815 (1-3) (2-4) 0.232 (5-7) (6-8) 0.831(16-11) (14-9)	18.0	22.0	1 : 4.25	1 : 4.25	-95.0
C1350-AL_	B	100	0.815 (1-3) (2-4) 0.232 (5-7) (6-8) 0.831 (16-11) (14-9)	18.0	22.0	1 : 4.25	1 : 4.25	-93.0

1. When ordering, please specify a **packaging** code:

C1350-ALD

Packaging: D = 13" machine ready reel. EIA-481 embossed plastic tape (200 per full reel).

B = Less than full reel. In tape, but not machine ready. To have a leader and trailer added (\$25 charge), use code letter D instead.

2. Inductance measured at 10 kHz, 0.1 Vrms, 0 Adc between pins 9 and 16 with pins 11 and 14 connected.

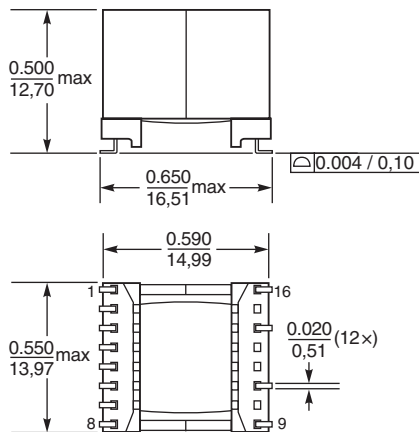
3. Leakage inductance measured at 100 kHz, 0.1 Vrms between pins 9 and 16 with all other pins shorted.

4. Capacitance tested between pins 1 and 16 with all other pins shorted.

5. Total harmonic distortion measured at 30 kHz.

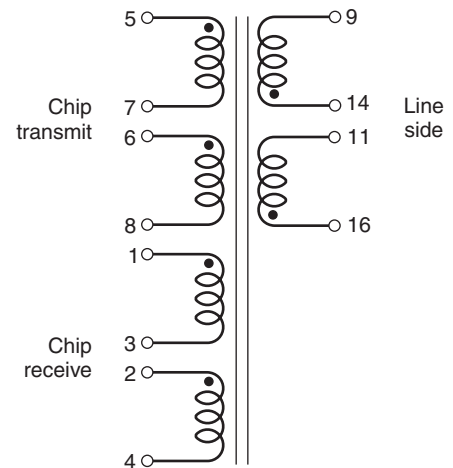
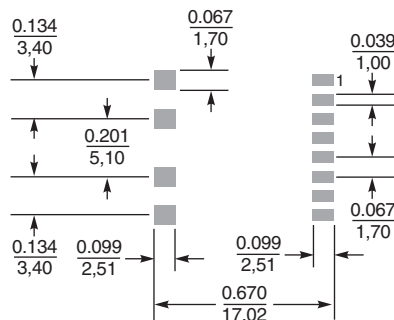
6. Operating temperature range -40°C to +85°C.

7. Electrical specifications at 25°C



Dimensions are in $\frac{\text{inches}}{\text{mm}}$

Recommended Land Pattern



Weight 6.1 – 6.3 g

Terminations Tin-silver over tin over nickel over phos bronze

Tape and reel 200/13" reel Plastic tape: 32 mm wide, 0.5 mm thick, 20 mm pocket spacing, 13.05 mm pocket depth

PCB washing Tested with pure water or alcohol only. For other solvents, see Doc787_PCB_Washing.pdf



www.coilcraft.com

US +1-847-639-6400 sales@coilcraft.com

UK +44-1236-730595 sales@coilcraft-europe.com

Taiwan +886-2-2264 3646 sales@coilcraft.com.tw

China +86-21-6218 8074 sales@coilcraft.com.cn

Singapore + 65-6484 8412 sales@coilcraft.com.sg

Document 443 Revised 10/08/08

© Coilcraft Inc. 2013

This product may not be used in medical or high risk applications without prior Coilcraft approval. Specification subject to change without notice. Please check web site for latest information.