




Product Specification

AU OPTRONICS CORPORATION

() Preliminary Specifications

(V) Final Specifications

Module	13.3" WXGA Color TFT-LCD with LED Backlight design
Model Name	B133EW05 V0 (H/W:0A)
Note ()	<i>LED Backlight with driving circuit design</i>

Customer	Date
Checked & Approved by	Date
_____	_____

Note: This Specification is subject to change without notice.

Approved by	Date
<u>Kendra Wang</u>	<u>7/17/2008</u>
Prepared by	
<u>Chih Chen Wu</u>	<u>7/17/2008</u>

**NBBU Marketing Division /
AU Optronics corporation**



Contents

1. Handling Precautions 4

2. General Description 5

 2.1 General Specification 5

 2.2 Optical Characteristics 6

3. Functional Block Diagram 11

 4.1 Absolute Ratings of TFT LCD Module 12

 4.2 Absolute Ratings of Environment 12

5. Electrical characteristics 13

 5.1 TFT LCD Module..... 13

 5.2 Backlight Unit 15

6. Signal Characteristic 16

 6.1 Pixel Format Image 16

 6.2 The input data format 17

 6.3 Integration Interface and Pin Assignment..... 18

 6.4 Interface Timing 19

7. Connector Description..... 21

 7.1 TFT LCD Module..... 21

8. LED Driving Specification 22

 8.1 Connector Description..... 22

 8.2 Pin Assignment..... 22

9. Vibration and Shock Test 23

 9.1 Vibration Test 23

 9.2 Shock Test Spec:..... 23

10. Reliability..... 24

11. Mechanical Characteristics..... 25

 11.1 LCM Outline Dimension 25

12. Shipping and Package 27

 12.1 Shipping Label Format 27

 11.1 Shipping Label Format 27

 12.2 Carton package 28

 12.3 Shipping package of palletizing sequence..... 28

13. Appendix: EDID description 29



Record of Revision

Version and Date	Page	Old description	New Description	Remark
0.1 2007/12/14	All	First Edition for Customer		
0.2 2007/12/24	27	11.1 Shipping Label Format	11.1 Shipping Label Format	
0.3 2008/01/16	18	Pin11: 5V , Pin12: GND	Pin11: GND , Pin12: NC	
	29-32	EDID check sum 34	EDID check sum 7E	
0.4 2008/02/01	5	Physical Size: T 3.05	Physical Size: T 3.35	
	26	Label position on rear frame	Label position on BLU sheet	
	28	TBD	Add Carton and shipping Packing	
0.5 2008/03/25	5	I _{LED} =19mA	I _{LED} =20mA	
0.6 2008/6/12	29	EDID check sum 7E	EDID check sum CF	
0.7 2008/7/7	29	EDID check sum CF	EDID check sum 63	
0.8 2008/7/7	26	Label position on rear frame	Label position on BLU sheet	
0.9 2008/7/7	27	Non Green Label Format	Green Label Format	
0.10 2008/7/16	6	White Luminance min 240	White Luminance min 250	
0.11 2008/7/16	6	Contrast Ratio typ 600	Contrast Ratio typ 550	
0.12 2008/7/16	6	By 0.090 / 0.120 / 0.150	By 0.120 / 0.150 / 0.180	
0.13 2008/7/16	6	Viewing Angle(Vertical) (Upper) 15 / 15(min/typ) (Lower) 30 / 35	Viewing Angle(Vertical) (Upper) 15 / 20(min/typ) (Lower) 30 / 40	

1. Handling Precautions

- 1) Since front polarizer is easily damaged, pay attention not to scratch it.
- 2) Be sure to turn off power supply when inserting or disconnecting from input connector.
- 3) Wipe off water drop immediately. Long contact with water may cause discoloration or spots.
- 4) When the panel surface is soiled, wipe it with absorbent cotton or other soft cloth.
- 5) Since the panel is made of glass, it may break or crack if dropped or bumped on hard surface.
- 6) Since CMOS LSI is used in this module, take care of static electricity and insure human earth when handling.
- 7) Do not open nor modify the Module Assembly.
- 8) Do not press the reflector sheet at the back of the module to any directions.
- 9) At the insertion or removal of the Signal Interface Connector, be sure not to rotate nor tilt the Interface Connector of the TFT Module.
- 11) After installation of the TFT Module into an enclosure (Notebook PC Bezel, for example), do not twist nor bend the TFT Module even momentary. At designing the enclosure, it should be taken into consideration that no bending/twisting forces are applied to the TFT Module from outside. Otherwise the TFT Module may be damaged.
- 12) Small amount of materials having no flammability grade is used in the LCD module. The LCD module should be supplied by power complied with requirements of Limited Power Source (IEC60950 or UL1950), or be applied exemption.
- 13) Disconnecting power supply before handling LCD modules, it can prevent electric shock, DO NOT TOUCH the electrode parts, cables, connectors and LED circuit part of TFT module that a LED light bar build in as a light source of back light unit. It can prevent electrostatic breakdown.

2. General Description

B133EW05 V0 is a Color Active Matrix Liquid Crystal Display composed of a TFT LCD panel, a driver circuit, and LED backlight system. The screen format is intended to support the WXGA (1280(H) x 800(V)) screen and 262k colors (RGB 6-bits data driver) with LED backlight driving circuit. All input signals are LVDS interface compatible.

B133EW05 V0 is designed for a display unit of notebook style personal computer and industrial machine.

2.1 General Specification

The following items are characteristics summary on the table at 25 °C condition:

Items	Unit	Specifications			
Screen Diagonal	[mm]	337.8 (13.3W")			
Active Area	[mm]	286.08 (H) X 178.8 (V)			
Pixels H x V		1280x3(RGB) x 800			
Pixel Pitch	[mm]	0.2235 x 0.2235			
Pixel Format		R.G.B. Vertical Stripe			
Display Mode		Normally White			
White Luminance (ILED=20mA) Note: ILED is lamp current	[cd/m ²]	300 typ.(5 points average) 240 min.(5 points average) (Note1)			
Luminance Uniformity		1.25 max. (5 points)			
Contrast Ratio		600 typ			
Response Time	[ms]	16 typ			
Nominal Input Voltage VDD	[Volt]	+3.3 typ.			
Power Consumption	[Watt]	4.85 max.			
Weight	[Grams]	245 max.			
Physical Size without inverter, bracket.	[mm]		L	W	T
		Max	296.5	203.0	3.35
		Typical			-
		Min			-
Electrical Interface		one channel LVDS			
Surface Treatment		Anti-Glare, Hardness 3H,			
Support Color		262K colors (RGB 6-bit)			



Product Specification

AU OPTRONICS CORPORATION

Temperature Range Operating	[°C]	0 to +50
Storage (Non-Operating)	[°C]	-25 to +65
RoHS Compliance		RoHS Compliance

2.2 Optical Characteristics

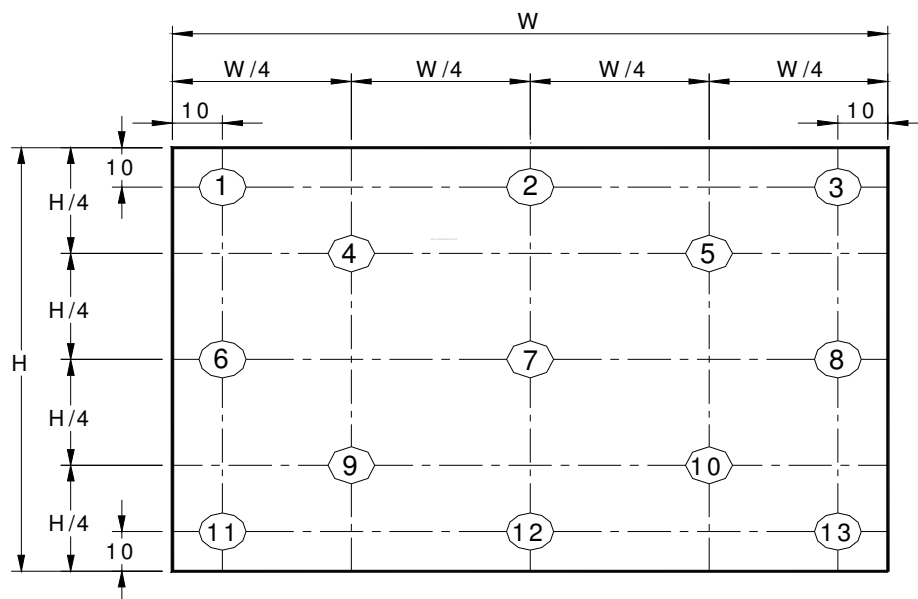
The optical characteristics are measured under stable conditions at 25°C (Room Temperature) :

Item	Unit	Conditions	Min.	Typ.	Max.	Note
White Luminance I _{LED} =20mA	[cd/m ²]	5 points average	250	300	-	1, 4, 5.
Viewing Angle	[degree]	Horizontal (Right)	40	45	-	8
	[degree]	CR = 10 (Left)	40	45	-	
	[degree]	Vertical (Upper)	15	20	-	
	[degree]	CR = 10 (Lower)	30	40	-	
Luminance Uniformity		5 Points	-	-	1.25	1
Luminance Uniformity		13 Points	-	-	1.6	2
CR: Contrast Ratio			400	550	-	6
Cross talk	%	—			4	7
Response Time	[msec]	Rising	-	4	8	8
	[msec]	Falling	-	12	17	
	[msec]	Rising + Falling	-	16	25	
Chromaticity of color Coordinates (CIE 1931)		Red x	0.570	0.600	0.630	2,8
		Red y	0.315	0.345	0.375	
		Green x	0.290	0.320	0.350	
		Green y	0.525	0.555	0.585	
		Blue x	0.120	0.150	0.180	
		Blue y	0.120	0.150	0.180	
		White x	0.283	0.313	0.343	
	White y	0.299	0.329	0.359		
NTSC	%	CIE 1931	-	45	-	

Note 1: 5 points position (Ref: Active area)



Note 2: 13 points position (Ref: Active area)



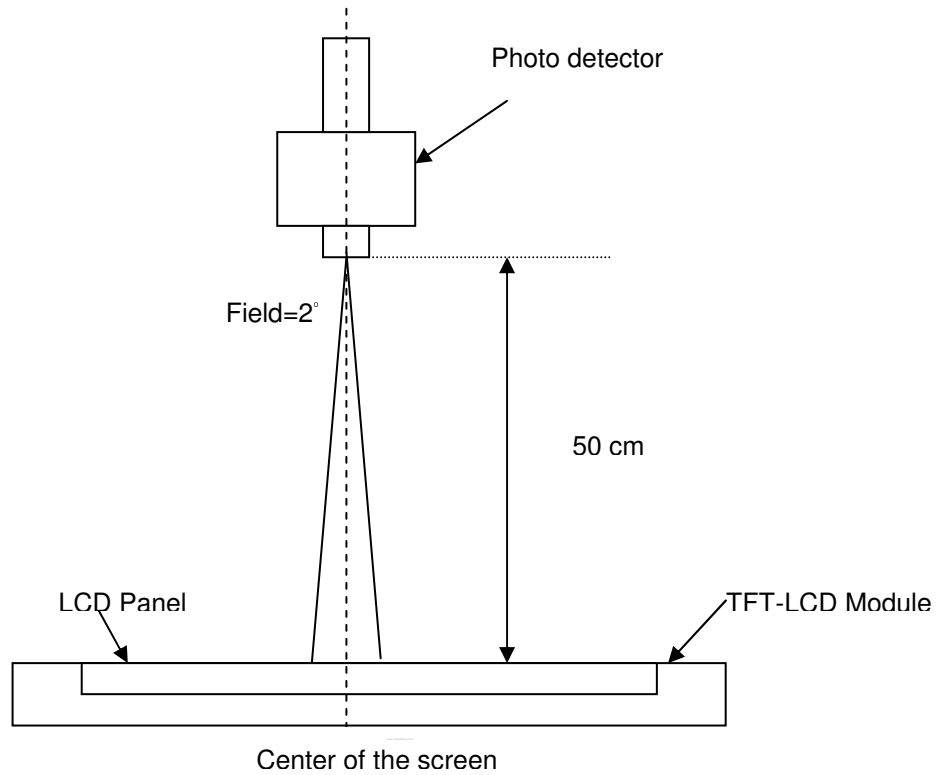
Note 3: The luminance uniformity of 5 or 13 points is defined by dividing the maximum luminance values by the minimum test point luminance

$$\delta_{w5} = \frac{\text{Maximum Brightness of five points}}{\text{Minimum Brightness of five points}}$$

$$\delta_{w13} = \frac{\text{Maximum Brightness of thirteen points}}{\text{Minimum Brightness of thirteen points}}$$

Note 4: Measurement method

The LCD module should be stabilized at given temperature for 30 minutes to avoid abrupt temperature change during measuring. In order to stabilize the luminance, the measurement should be executed after lighting Backlight for 30 minutes in a stable, windless and dark room, and it should be measured in the center of screen.



Note 5 : Definition of Average Luminance of White (Y_L):

Measure the luminance of gray level 63 at 5 points · $Y_L = [L (1)+ L (2)+ L (3)+ L (4)+ L (5)] / 5$

L (x) is corresponding to the luminance of the point X at Figure in Note (1).

Note 6 : Definition of contrast ratio:

Contrast ratio is calculated with the following formula.

$$\text{Contrast ratio (CR)} = \frac{\text{Brightness on the "White" state}}{\text{Brightness on the "Black" state}}$$

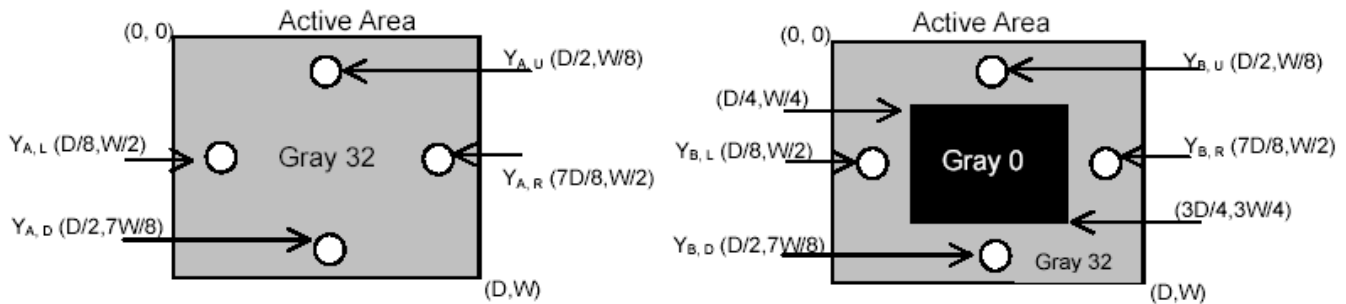
Note 7 : Definition of Cross Talk (CT)

$$CT = | Y_B - Y_A | / Y_A \times 100 (\%)$$

Where

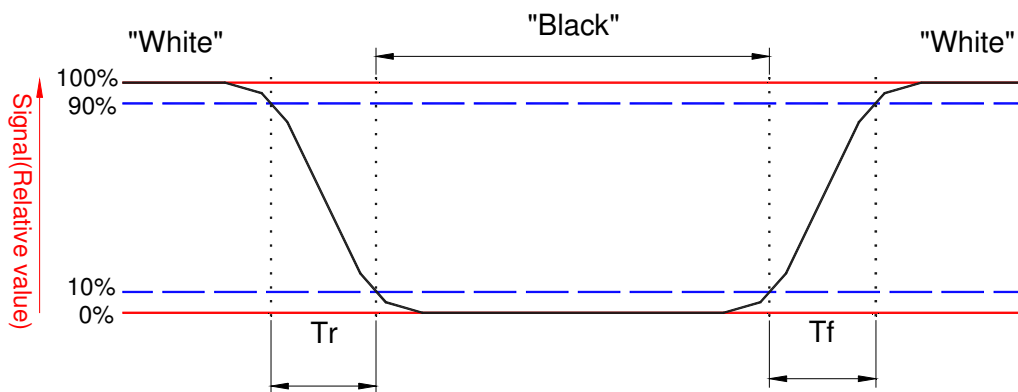
Y_A = Luminance of measured location without gray level 0 pattern (cd/m²)

Y_B = Luminance of measured location with gray level 0 pattern (cd/m²)



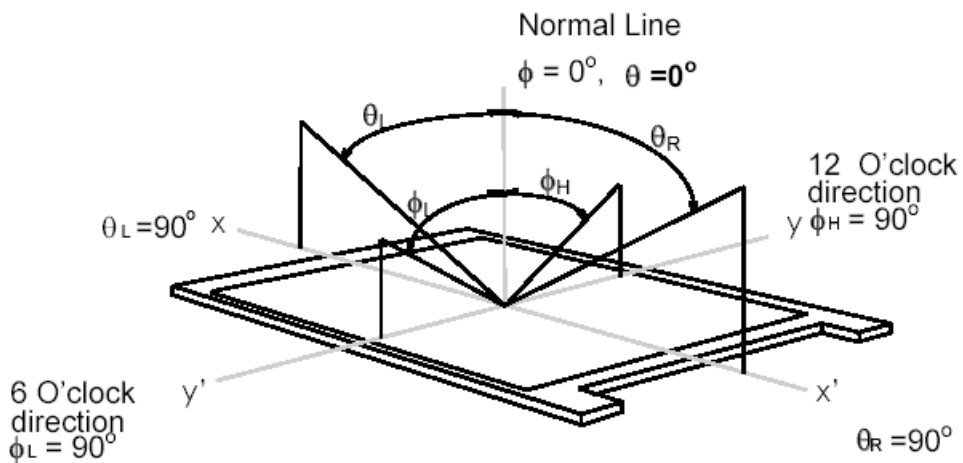
Note 8: Definition of response time:

The output signals of BM-7 or equivalent are measured when the input signals are changed from “Black” to “White” (falling time) and from “White” to “Black” (rising time), respectively. The response time interval between the 10% and 90% of amplitudes. Refer to figure as below.



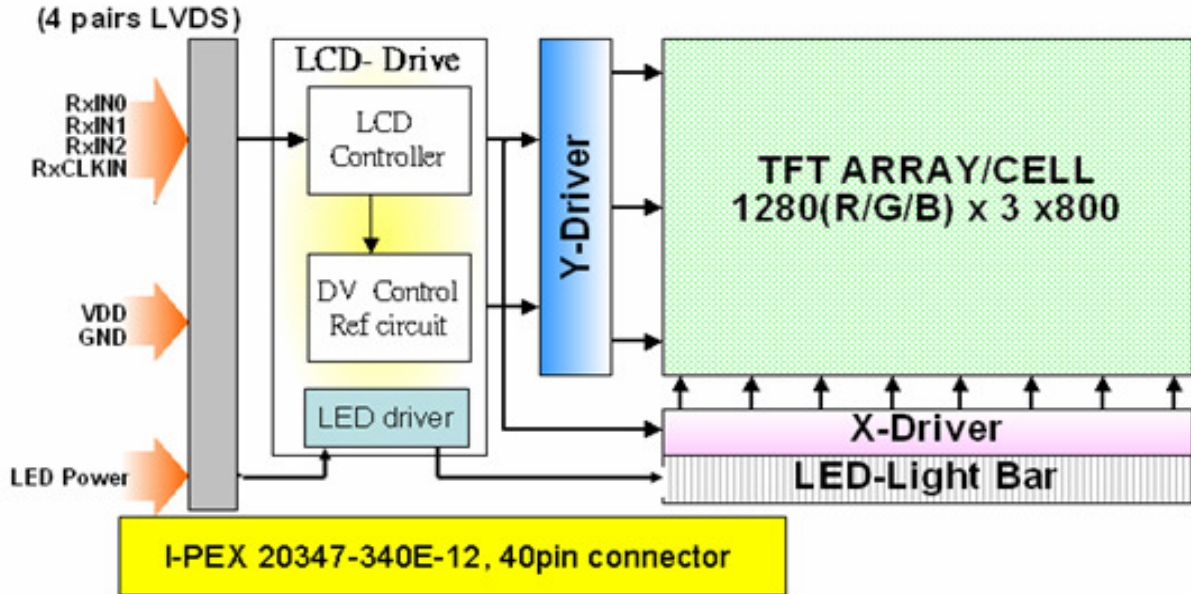
Note 9. Definition of viewing angle

Viewing angle is the measurement of contrast ratio ≥ 10 , at the screen center, over a 180° horizontal and 180° vertical range (off-normal viewing angles). The 180° viewing angle range is broken down as follows; 90° (θ) horizontal left and right and 90° (ϕ) vertical, high (up) and low (down). The measurement direction is typically perpendicular to the display surface with the screen rotated about its center to develop the desired measurement viewing angle.



3. Functional Block Diagram

The following diagram shows the functional block of the 13.3 inches wide Color TFT/LCD 40 Pin (One CH/connector Module)



4. Absolute Maximum Ratings

An absolute maximum rating of the module is as following:

4.1 Absolute Ratings of TFT LCD Module

Item	Symbol	Min	Max	Unit	Conditions
Logic/LCD Drive Voltage	Vin	-0.3	+4.0	[Volt]	Note 1,2

4.2 Absolute Ratings of Environment

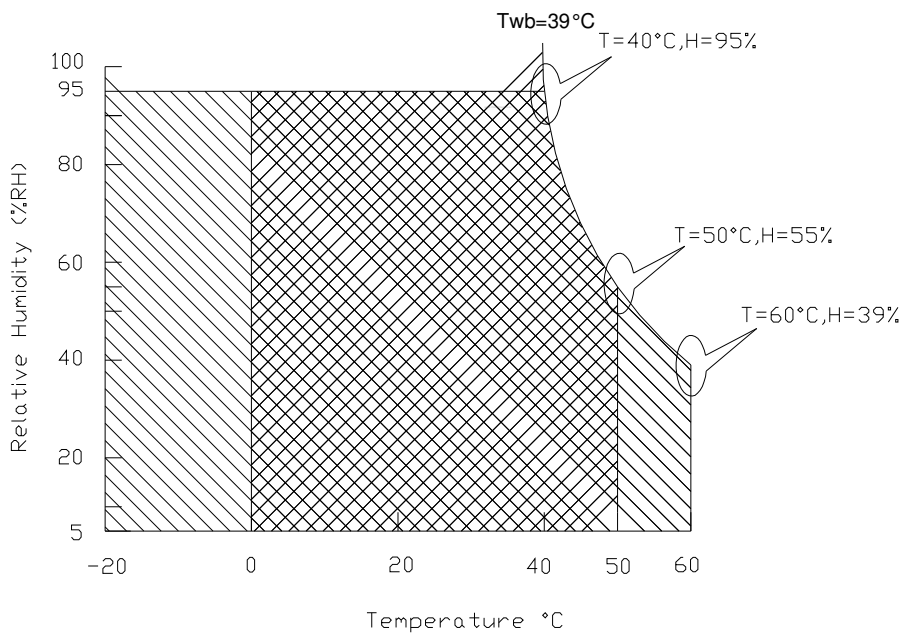
Item	Symbol	Min	Max	Unit	Conditions
Operating Temperature	TOP	0	+50	[°C]	Note 4
Operation Humidity	HOP	5	95	[%RH]	Note 4
Storage Temperature	TST	-20	+60	[°C]	Note 4
Storage Humidity	HST	5	95	[%RH]	Note 4

Note 1: At Ta (25°C)

Note 2: Permanent damage to the device may occur if exceed maximum values

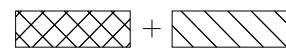
Note 3: LED specification refer to section 5.2

Note 4: For quality performance, please refer to AUO IIS (Incoming Inspection Standard).



Operating Range 

Storage Range



5. Electrical characteristics

5.1 TFT LCD Module

5.1.1 Power Specification

Input power specifications are as follows;

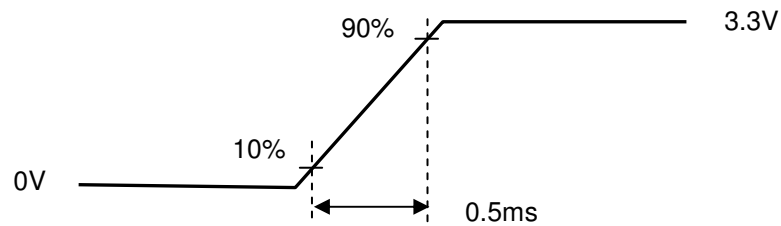
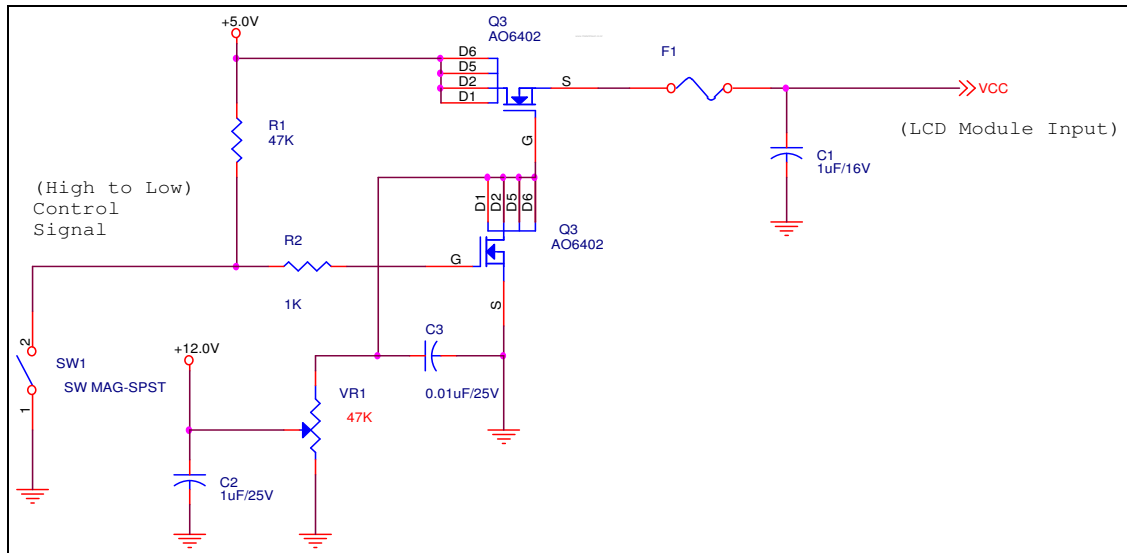
The power specification are measured under 25°C and frame frequency under 60Hz

Symble	Parameter	Min	Typ	Max	Units	Note
VDD	Logic/LCD Drive Voltage	3.0	3.3	3.6	[Volt]	
PDD	VDD Power	-	0.75	0.85	[Watt]	Note 1/2
IDD	IDD Current	-	230	290	[mA]	Note 1/2
IRush	Inrush Current	-	0.7	1.5	[A]	Note 3
VDDrp	Allowable Logic/LCD Drive Ripple Voltage	-	-	100	[mV] p-p	

Note 1 : Maximum Measurement Condition : Black Pattern

Note 2 : Typical Measurement Condition: Mosaic Pattern

Note 3 : Measure Condition



Vin rising time

5.1.2 Signal Electrical Characteristics

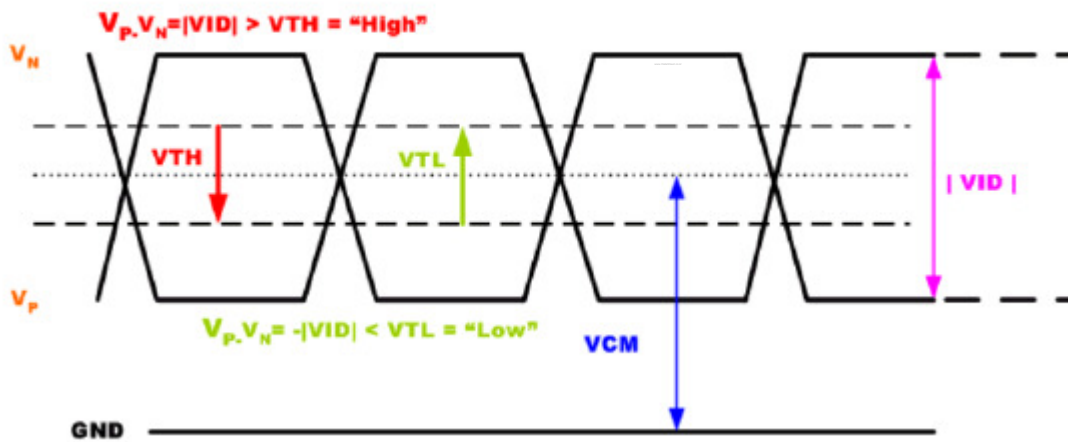
Input signals shall be low or High-impedance state when VDD is off.

Signal electrical characteristics are as follows;

Parameter	Condition	Min	Max	Unit
Vth	Differential Input High Threshold (Vcm=+1.2V)	-	+100	[mV]
Vtl	Differential Input Low Threshold (Vcm=+1.2V)	-100	-	[mV]
Vcm	Differential Input Common Mode Voltage	0.8	2.0	[V]

Note: LVDS Signal Waveform

Single-end Signal

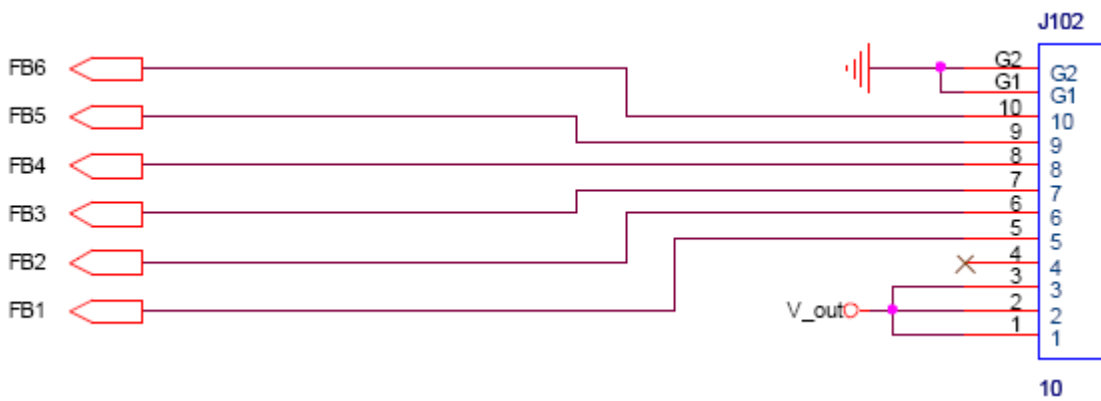


5.2 Backlight Unit

LED Parameter guideline for LED driving selection (Ref. Remark 1)

Parameter	Min	Typ	Maz	Units	Units
White Luminance 5 points average	240	300	-	[cd/m ²]	Ta=25 °C
LED current (ILED)	-	20	-	[mA]	Ta=25 °C
LED Power consumption	-	4.07	-	[Watt]	Ta=25 °C

Light bar PIN assignment:

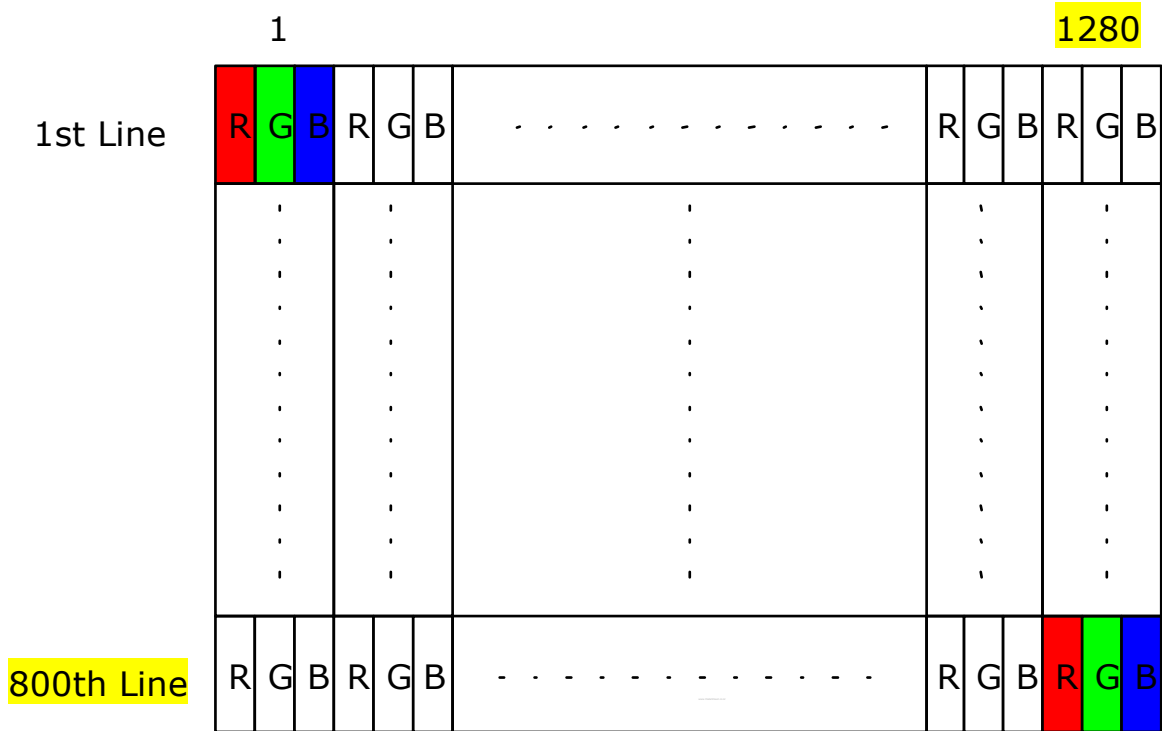


PIN NO.	Pin assignment	Function
1	VOUT	LED Anode (Positive)
2	VOUT	LED Anode (Positive)
3	VOUT	LED Anode (Positive)
4	NC	NC
5	FB1	LED Cathode (Negative)
6	FB2	LED Cathode (Negative)
7	FB3	LED Cathode (Negative)
8	FB4	LED Cathode (Negative)
9	FB5	LED Cathode (Negative)
10	FB6	LED Cathode (Negative)

6. Signal Characteristic

6.1 Pixel Format Image

Following figure shows the relationship of the input signals and LCD pixel format.



6.2 The input data format



Signal Name	Description
VEEDID (3.3V)	+3.3V EDID Power
CLK EEDID	EDID Clock Input
DATA EEDID	EDID Data Input
RXIN0-, RXIN0+	LVDS differential data input(Red0-Red5, Green0)
RXIN1-, RXIN1+	LVDS differential data input(Green1-Green5, Blue0-Blue1)
RXIN2-, RXIN2+	LVDS differential data input(Blue2-Blue5, Hsync, Vsync, DE)
RXCLKIN-, RXCLKIN+	LVDS differential clock input
VDD	+3.3V Power Supply
VSS	Ground

Note: Output signals from any system shall be low or High-impedance state when VDD is off.

6.3 Integration Interface and Pin Assignment

LVDS is a differential signal technology for LCD interface and high speed data transfer device.

Pin	Signal	Description
1	VSS	Ground
2	CONNTST	Connector test
3	VDD	Logic power 3.3V (Panel logic, BL logic)
4	VDD	Logic power 3.3V (Panel logic, BL logic)
5	VDD	Logic power 3.3V (Panel logic, BL logic)
6	VEDID	EDID 3.3V power
7	TEST	Panel Self Test
8	CLK	EDID clock
9	DATA	EDID data
10	VSS	Ground
11	VSS	Ground
12	NC	no connection
13	RIN0-	- LVDS differential data input (R0-R5, G0)
14	RIN0+	+ LVDS differential data input (R0-R5, G0)
15	VSS	Ground
16	RIN1-	- LVDS differential data input (G1-G5, B0-B1)
17	RIN1+	+ LVDS differential data input (G1-G5, B0-B1)
18	VSS	Ground
19	RIN2-	- LVDS differential data input (B2-B5,HS,VS, DE)
20	RIN2+	+ LVDS differential data input (B2-B5,HS,VS, DE)
21	VSS	Ground
22	CLK-	- LVDS differential clock input
23	CLK+	+ LVDS differential clock input
24	VSS	Ground
25	INV_PWM	PWM brightness control
26	VBL-	LED power return
27	VBL-	LED power return
28	VBL-	LED power return
29	VBL-	LED power return
30	VBL-	LED power return
31	NC	no connection
32	VBL+	7V - 20V LED power source
33	VBL+	7V - 20V LED power source
34	VBL+	7V - 20V LED power source
35	VBL+	7V - 20V LED power source
36	VBL+	7V - 20V LED power source
37	CONNTST	Connector test
38	SMB_CLK	SMBus Clock
39	SMB_DAT	SMBus Data
40	VSS	Ground

Note1: Start from right side

6.4 Interface Timing

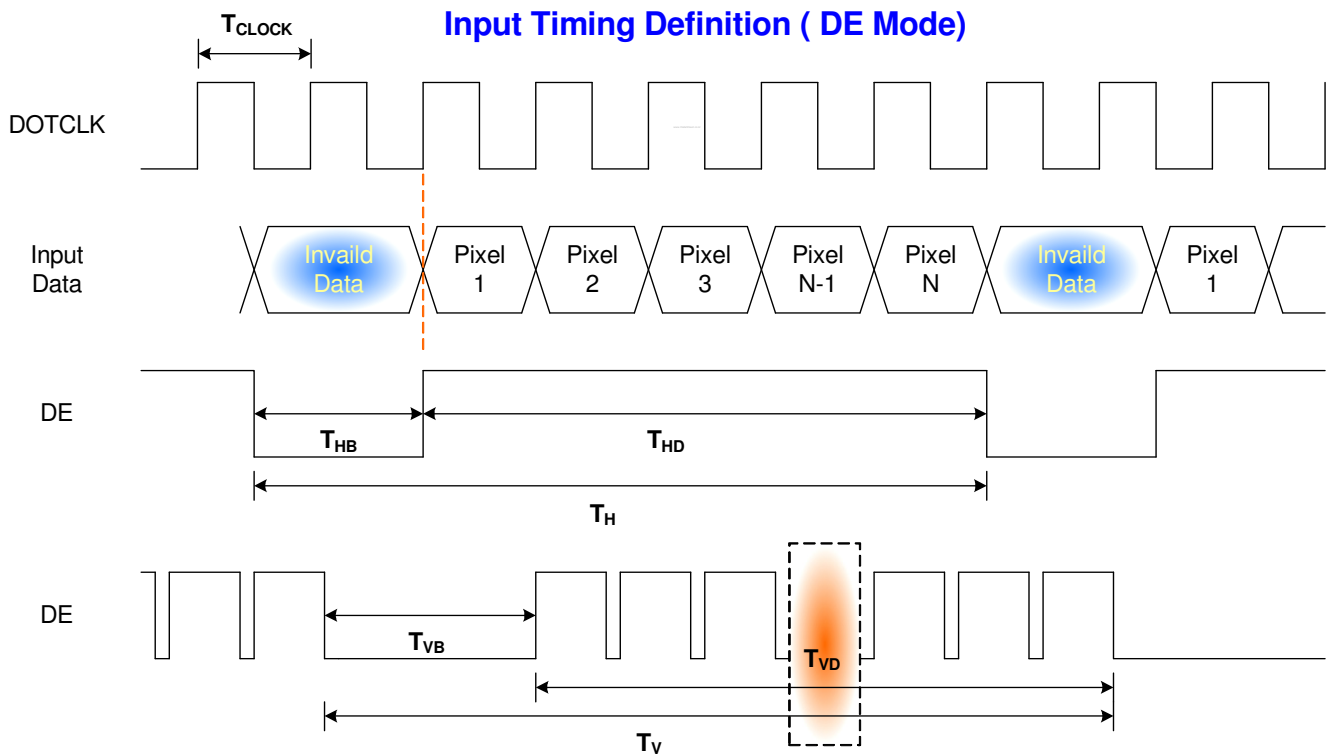
6.4.1 Timing Characteristics

Basically, interface timings should match the 1280x800 /60Hz manufacturing guide line timing.

Parameter	Symbol	Min.	Typ.	Max.	Unit	
Frame Rate	-	50	60	-	Hz	
Clock frequency	$1/T_{\text{Clock}}$	-	68.9	72	MHz	
Vertical Section	Period	T_V	808	816	1023	T_{Line}
	Active	T_{VD}		800		
	Blanking	T_{VB}	8	16	-	
Horizontal Section	Period	T_H	1320	1408	2047	T_{Clock}
	Active	T_{HD}		1280		
	Blanking	T_{HB}	30	128		

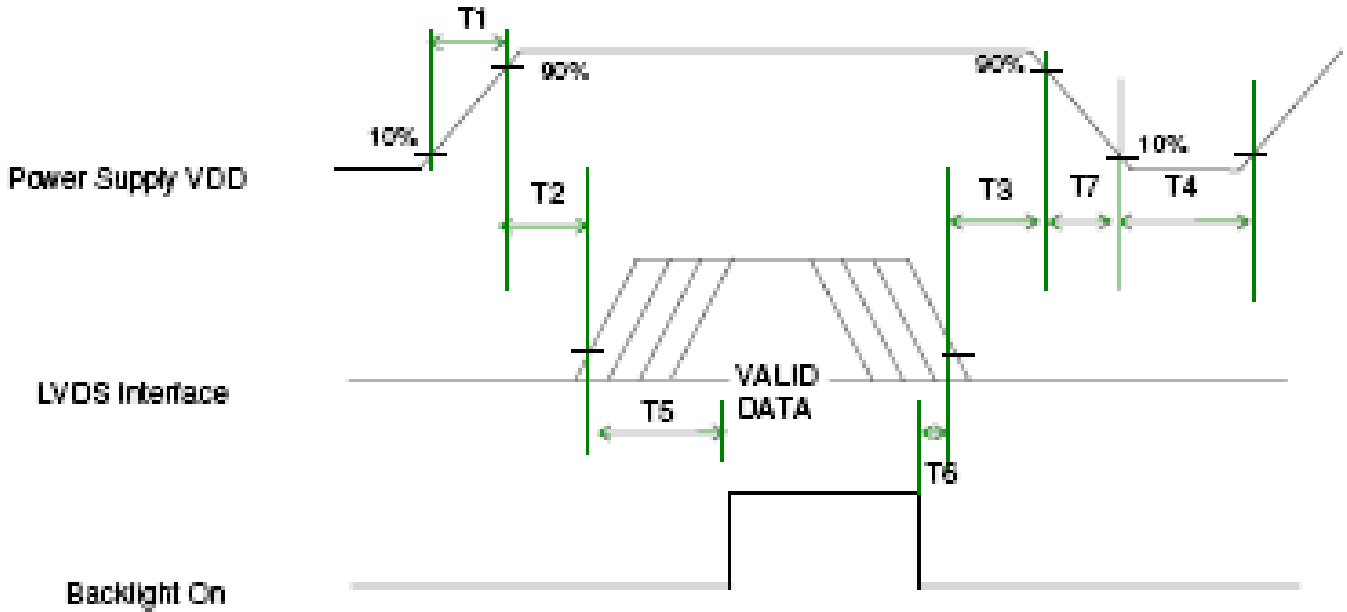
Note : DE mode only

6.4.2 Timing diagram



6.5 Power ON/OFF Sequence

VDD power on/off sequence is as follows. Interface signals are also shown in the chart. Signals from any system shall be Hi-Z state or low level when VDD is off



Power Sequence Timing

Parameter	Value			Units
	Min.	Typ.	Max.	
T1	0.5	-	10	ms
T2	0	-	50	
T3	0	-	50	
T4	400	-	-	
T5	200	-	-	
T6	200	-	-	
T7	0	-	10	



7. Connector Description

Physical interface is described as for the connector on module.

These connectors are capable of accommodating the following signals and will be following components.

7.1 TFT LCD Module

Connector Name / Designation	For Signal Connector
Manufacturer	IPEX or compatible
Type / Part Number	20347-340E-12 or compatible
Mating Housing/Part Number	20346-040T-02 or compatible



8. LED Driving Specification

8.1 Connector Description

It is a integrative interface and comibe into LVDS connector. The type and mating refer to section 7.

8.2 Pin Assignment

Ref. to 6.3

9. Vibration and Shock Test

9.1 Vibration Test

Test condition(Non-OP):

- Acceleration: 1.3 G
- Frequency: 10 - 500Hz Random
- Sweep: 30 Minutes each Axis (X, Y, Z)

9.2 Shock Test Spec:

Test condition (Non-OP):

- Acceleration: 220 G , Half sine wave
- Active time: 2 ms
- Pulse: +/-X,+/-Y,+/-Z , one time for each side

Remark:

1. Ambient condition is $25 \pm 5^{\circ}\text{C}$, Relative humidity : 40% ~ 70%
2. Non-packaged and Non-operation

10. Reliability

Items	Required Condition	Note
Temperature Humidity Bias	Ta= 40°C, 95%RH, 250h	
High Temperature Operation	Ta= 50°C, Dry, 250h	
Low Temperature Operation	Ta= 0°C, 250h	
High Temperature Storage	Ta= 65°C/20%, 250h	
Low Temperature Storage	Ta= -25°C, 50%RH, 250h	
Thermal Shock Test	Ta=-40°C to 65°C, Duration at 30 min, 50 cycles	
ESD	Contact : ±8 KV Air : ±15 KV	Note 1

Note1: According to EN 61000-4-2 , ESD class B: Some performance degradation allowed. No data lost
 . Self-recoverable. No hardware failures.

Remark: MTBF (Excluding the LED): 30,000 hours with a confidence level 90%

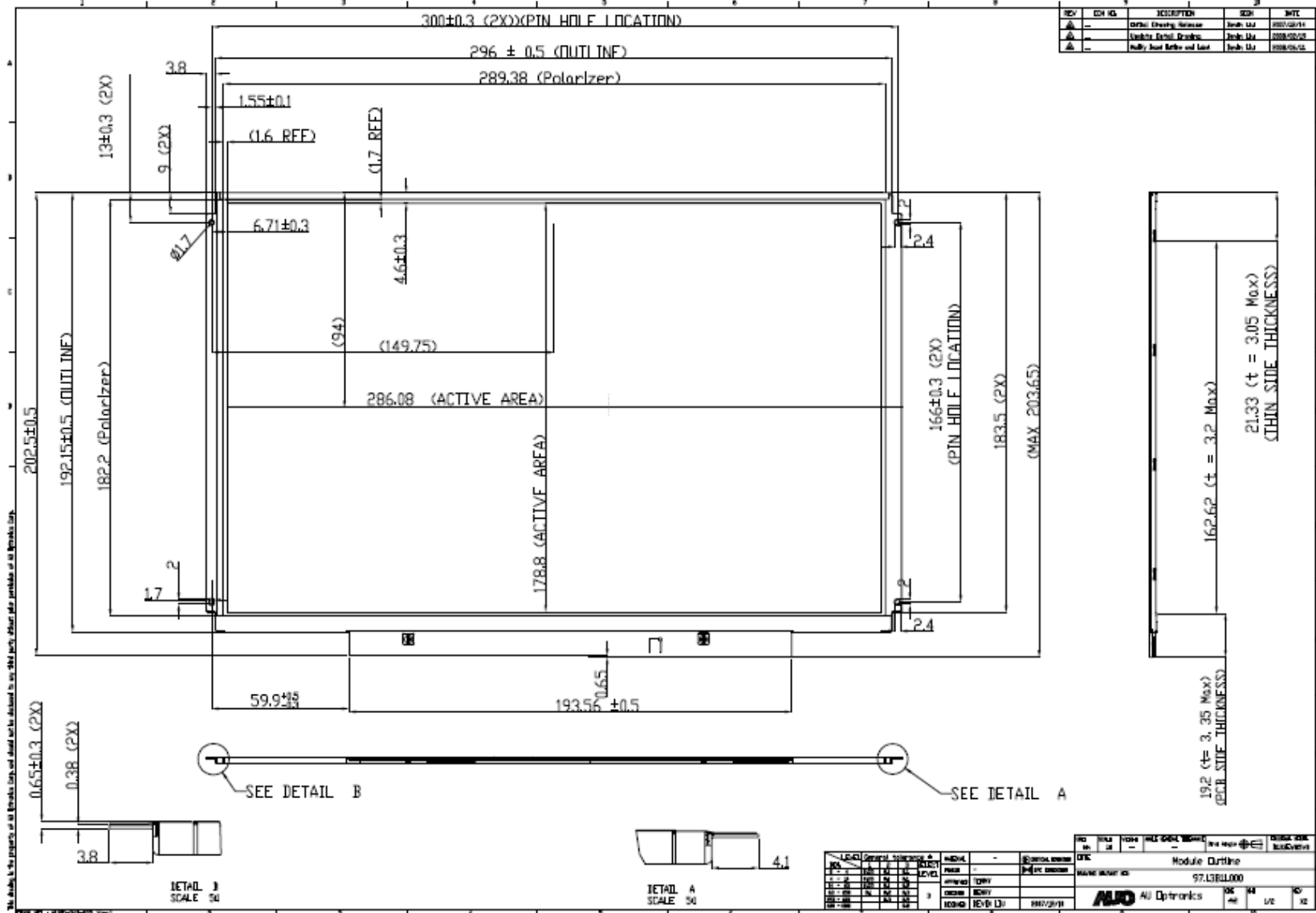


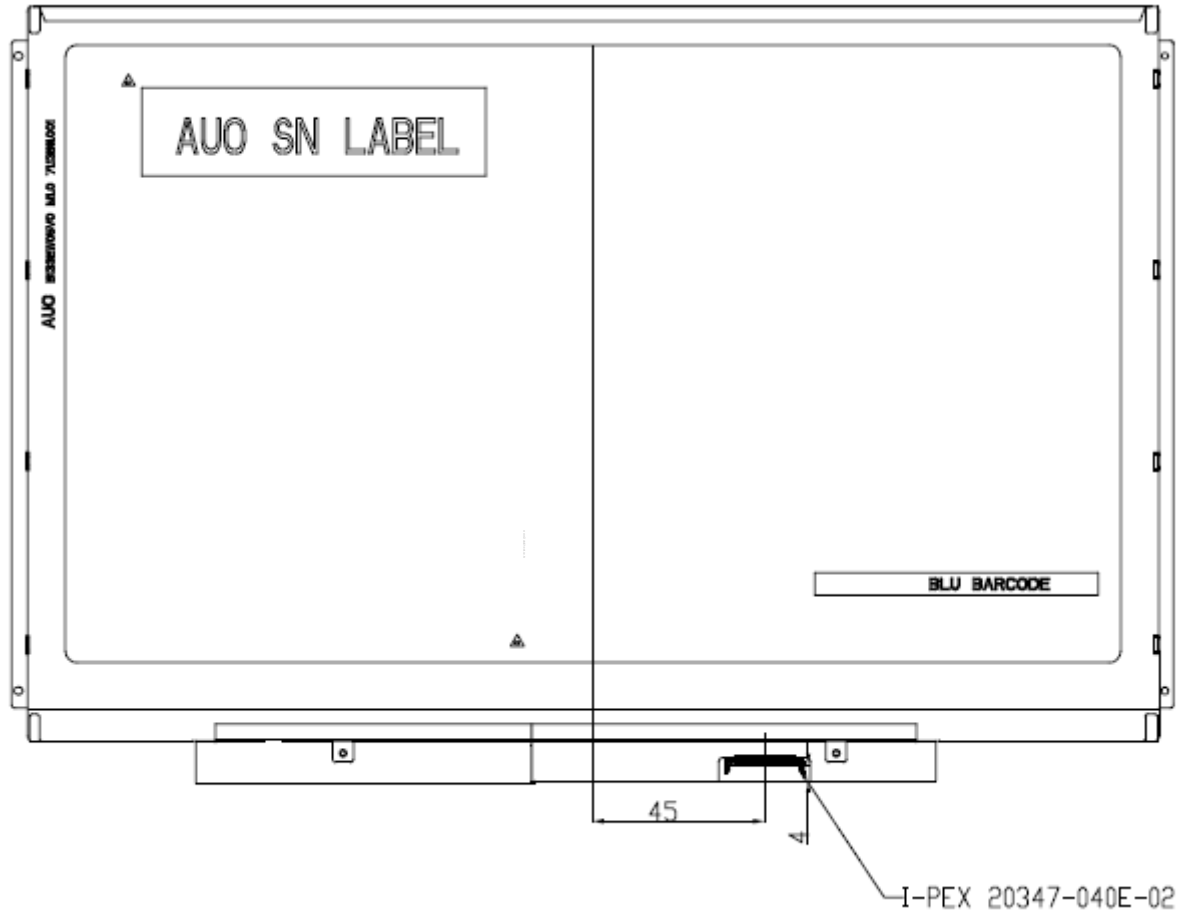
Product Specification

AU OPTRONICS CORPORATION

11. Mechanical Characteristics

11.1 LCM Outline Dimension





Note: Prevention IC damage, IC positions not allowed any overlap over these areas.






Product Specification

AU OPTRONICS CORPORATION

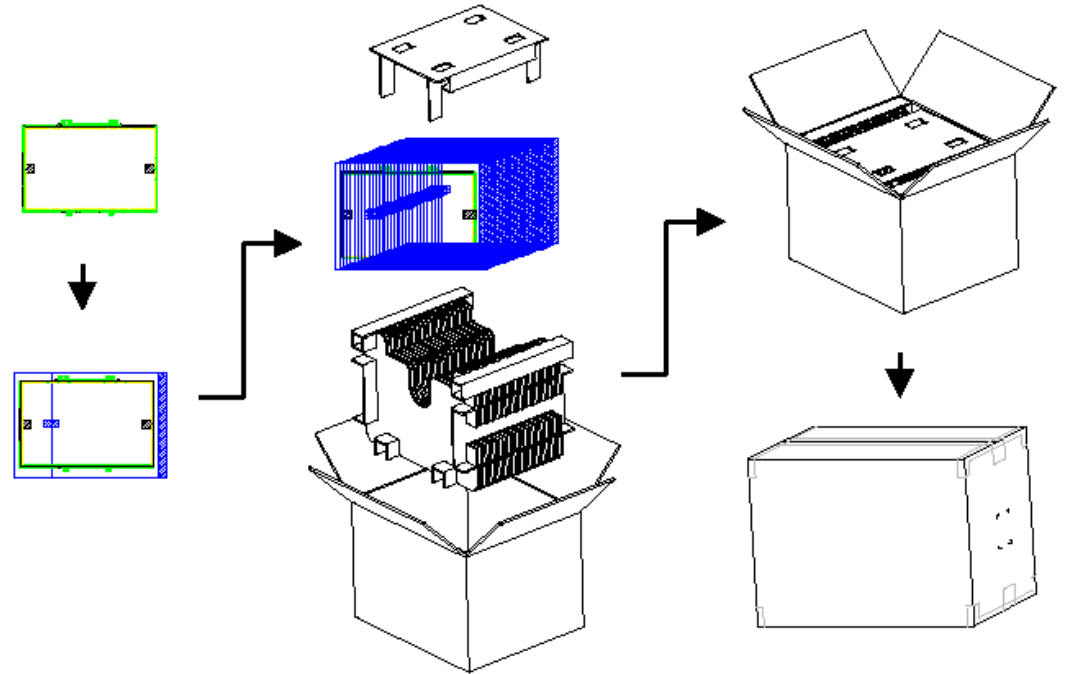
12. Shipping and Package

12.1 Shipping Label Format

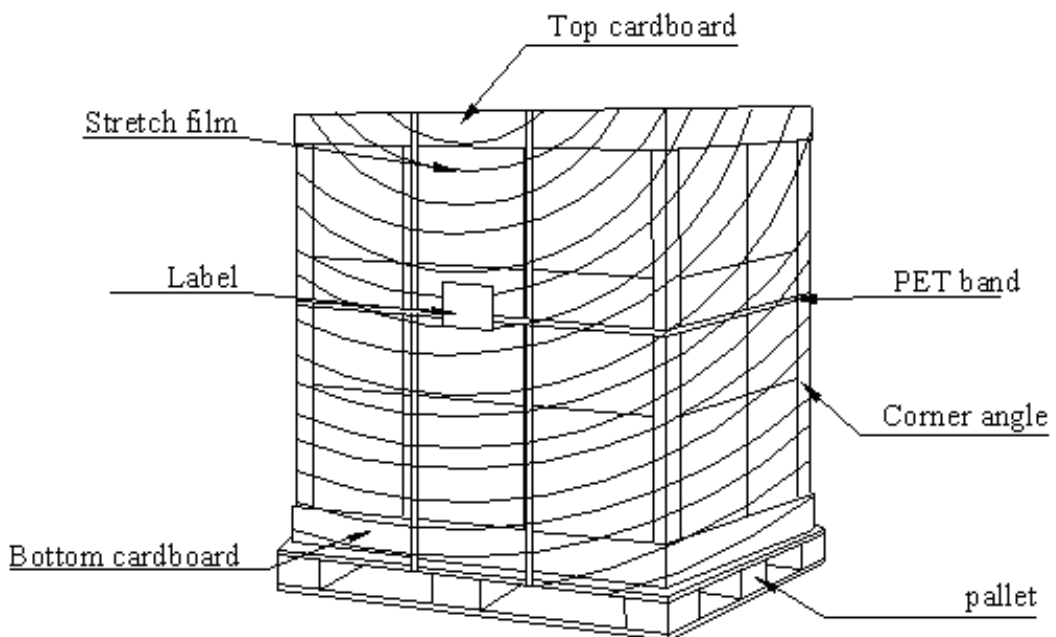
 *XXXXXXXXXXXX-XXXXX	Manufactured 05/52 Model No: B133EW05 V0 AU Optronics 0AXXG MADE IN China (S1) H/W: 0A F/W:1	  
----------------------------------------------------------------------------------------------------------	-----------------------------------------------------------------------------------------------------------------------------------------------------------	-------------------------------------------------------------------------------------------------------------------------------------------------------------------------------------------------------------------------------------------------------------------

12.2 Carton package

The outside dimension of carton is 430 (L)mm x 378 (W)mm x 341 (H)mm



12.3 Shipping package of palletizing sequence





Product Specification

AU OPTRONICS CORPORATION

13. Appendix: EDID description

Address	FUNCTION	Value	Value	Value	Note
HEX		HEX	BIN	DEC	
00	Header	00	00000000	0	
01		FF	11111111	255	
02		FF	11111111	255	
03		FF	11111111	255	
04		FF	11111111	255	
05		FF	11111111	255	
06		FF	11111111	255	
07		00	00000000	0	
08	EISA Manuf. Code LSB	06	00000110	6	
09	Compressed ASCII	AF	10101111	175	
0A	Product Code	24	00100100	36	
0B	hex, LSB first	50	01010000	80	
0C	32-bit ser #	00	00000000	0	
0D		00	00000000	0	
0E		00	00000000	0	
0F		00	00000000	0	
10	Week of manufacture	01	00000001	1	
11	Year of manufacture	12	00010010	18	
12	EDID Structure Ver.	01	00000001	1	
13	EDID revision #	03	00000011	3	
14	Video input def. (digital I/P, non-TMDS, CRGB)	80	10000000	128	
15	Max H image size (rounded to cm)	1D	00011101	29	
16	Max V image size (rounded to cm)	12	00010010	18	
17	Display Gamma (=gamma*100)-100	78	01111000	120	
18	Feature support (no DPMS, Active OFF, RGB, tmg Blk#1)	0A	00001010	10	
19	Red/green low bits (Lower 2:2:2:2 bits)	90	10010000	144	
1A	Blue/white low bits (Lower 2:2:2:2 bits)	B5	10110101	181	
1B	Red x (Upper 8 bits)	99	10011001	153	
1C	Red y/ highER 8 bits	58	01011000	88	
1D	Green x	52	01010010	82	
1E	Green y	8E	10001110	142	
1F	Blue x	26	00100110	38	
20	Blue y	1E	00011110	30	
21	White x	50	01010000	80	
22	White y	54	01010100	84	
23	Established timing 1	00	00000000	0	
24	Established timing 2	00	00000000	0	
25	Established timing 3	00	00000000	0	
26	Standard timing #1	01	00000001	1	



Product Specification

AU OPTRONICS CORPORATION

27		01	00000001	1	
28	Standard timing #2	01	00000001	1	
29		01	00000001	1	
2A	Standard timing #3	01	00000001	1	
2B		01	00000001	1	
2C	Standard timing #4	01	00000001	1	
2D		01	00000001	1	
2E	Standard timing #5	01	00000001	1	
2F		01	00000001	1	
30	Standard timing #6	01	00000001	1	
31		01	00000001	1	
32	Standard timing #7	01	00000001	1	
33		01	00000001	1	
34	Standard timing #8	01	00000001	1	
35		01	00000001	1	
36	Pixel Clock/10000 LSB	58	01011000	88	
37	Pixel Clock/10000 USB	1B	00011011	27	
38	Horz active Lower 8bits	00	00000000	0	
39	Horz blanking Lower 8bits	8A	10001010	138	
3A	HorzAct:HorzBlnk Upper 4:4 bits	50	01010000	80	
3B	Vertical Active Lower 8bits	20	00100000	32	
3C	Vertical Blanking Lower 8bits	17	00010111	23	
3D	Vert Act : Vertical Blanking (upper 4:4 bit)	30	00110000	48	
3E	HorzSync. Offset	30	00110000	48	
3F	HorzSync.Width	20	00100000	32	
40	VertSync.Offset : VertSync.Width	36	00110110	54	
41	Horz&Vert Sync Offset/Width Upper 2bits	00	00000000	0	
42	Horizontal Image Size Lower 8bits	1E	00011110	30	
43	Vertical Image Size Lower 8bits	B2	10110010	178	
44	Horizontal & Vertical Image Size (upper 4:4 bits)	10	00010000	16	
45	Horizontal Border (zero for internal LCD)	00	00000000	0	
46	Vertical Border (zero for internal LCD)	00	00000000	0	
47	Signal (non-intr, norm, no stero, sep sync, neg pol)	18	00011000	24	
48	Detailed timing/monitor	00	00000000	0	
49	descriptor #2	00	00000000	0	
4A		00	00000000	0	
4B		0F	00001111	15	
4C		00	00000000	0	
4D		00	00000000	0	
4E		00	00000000	0	
4F		00	00000000	0	
50		00	00000000	0	
51		00	00000000	0	



Product Specification

AU OPTRONICS CORPORATION

52		00	00000000	0	
53		00	00000000	0	
54		00	00000000	0	
55		00	00000000	0	
56		00	00000000	0	
57		00	00000000	0	
58		00	00000000	0	
59		20	00100000	32	
5A	Detailed timing/monitor	00	00000000	0	
5B	descriptor #3	00	00000000	0	
5C		00	00000000	0	
5D		FE	11111110	254	
5E		00	00000000	0	
5F	Manufacture	41	01000001	65	A
60	Manufacture	55	01010101	85	U
61	Manufacture	4F	01001111	79	O
62		0A	00001010	10	
63		20	00100000	32	
64		20	00100000	32	
65		20	00100000	32	
66		20	00100000	32	
67		20	00100000	32	
68		20	00100000	32	
69		20	00100000	32	
6A		20	00100000	32	
6B		20	00100000	32	
6C	Detailed timing/monitor	00	00000000	0	
6D	descriptor #4	00	00000000	0	
6E		00	00000000	0	
6F		FE	11111110	254	
70		00	00000000	0	
71	Manufacture P/N	42	01000010	66	B
72	Manufacture P/N	31	00110001	49	1
73	Manufacture P/N	33	00110011	51	3
74	Manufacture P/N	33	00110011	51	3
75	Manufacture P/N	45	01000101	69	E
76	Manufacture P/N	57	01010111	87	W
77	Manufacture P/N	30	00110000	48	0
78	Manufacture P/N	35	00110101	53	5
79	Manufacture P/N	20	00100000	32	
7A	Manufacture P/N	56	01010110	86	V
7B	Manufacture P/N	30	00110000	48	0
7C		20	00100000	32	



Product Specification

AU OPTRONICS CORPORATION

7D		0A	00001010	10	
7E	Extension Flag	00	00000000	0	
7F	Checksum	71	01110001	113	
			SUM	5888	