




Product Specification

AU OPTRONICS CORPORATION

() Preliminary Specifications

(V) Final Specifications

| | |
|--|---|
| Module | 15.6”(15.55”) HD 16:9 Color TFT-LCD with LED Backlight design |
| Model Name | B156XW04 V5 (H/W:0A) |
| Note  | <i>LED Backlight with driving circuit design</i> ✓ <i>Color Management (Virtual and Rich Color Solution)</i> ✓ <i>Dynamic Contrast Ratio (Power Saving Solution)</i> |

| | |
|---|-------------|
| Customer | Date |
| _____ | _____ |
| Checked & Approved by | Date |
| _____ | _____ |
| Note: This Specification is subject to change without notice. | |

| | |
|---|-------------------|
| Approved by | Date |
| <u>Claire Yu</u> | <u>04/21/2011</u> |
| Prepared by | Date |
| <u>Alice Chien</u> | <u>04/21/2011</u> |
| NBBU Marketing Division AU Optronics corporation | |



Contents

1. Handling Precautions 4

2. General Description 5

 2.1 General Specification 5

 2.2 Optical Characteristics 6

3. Functional Block Diagram 11

4. Absolute Maximum Ratings..... 12

 4.1 Absolute Ratings of TFT LCD Module 12

 4.2 Absolute Ratings of Environment 12

5. Electrical Characteristics..... 13

 5.1 TFT LCD Module..... 13

 5.2 Backlight Unit 16

6. Signal Interface Characteristic..... 17

 6.1 Pixel Format Image 17

 6.2 The Input Data Format 18

 6.3 Integration Interface Requirement..... 19

 6.4 Interface Timing 21

 6.5 Power ON/OFF Sequence 22

7. Panel Reliability Test 23

 7.1 Vibration Test 23

 7.2 Shock Test 23

 7.3 Reliability Test..... 23

8. Mechanical Characteristics..... 24

 8.1 LCM Outline Dimension..... 24

9. Shipping and Package 26

 9.1 Shipping Label Format 26

 9.2 Carton Package 27

 9.3 Handling guide 28

 9.4 Shipping Package of Palletizing Sequence..... 31

10. Appendix..... 32

 10.1 EDID Description..... 32

 10.2 Color Standardization Photographs..... 35



Product Specification

AU OPTRONICS CORPORATION

Record of Revision

| Version and Date | Page | Old description | New Description | Remark |
|------------------|-------|----------------------------|---------------------------|--------|
| 0.1 2010/11/15 | All | First Edition for Customer | | |
| 0.2 2010/01/07 | 5 | Power consumption → 3.5W | Power consumption → 3.4W | |
| | 27 | 9.2 Carton package | 9.2 Carton package | |
| 0.3 2010/02/10 | 24 | 8.1 LCM Outline Dimension | 8.1 LCM Outline Dimension | |
| 1.0 2011/03/09 | All | Preliminary spec | Final spec | |
| 1.1 2011/03/25 | 24,25 | 8.1 LCM Outline Dimension | 8.1 LCM Outline Dimension | |
| | | | | |
| | | | | |
| | | | | |
| | | | | |
| | | | | |
| | | | | |
| | | | | |
| | | | | |
| | | | | |
| | | | | |
| | | | | |
| | | | | |
| | | | | |
| | | | | |

1. Handling Precautions

- 1) Since front polarizer is easily damaged, pay attention not to scratch it.
- 2) Be sure to turn off power supply when inserting or disconnecting from input connector.
- 3) Wipe off water drop immediately. Long contact with water may cause discoloration or spots.
- 4) When the panel surface is soiled, wipe it with absorbent cotton or other soft cloth.
- 5) Since the panel is made of glass, it may break or crack if dropped or bumped on hard surface.
- 6) Since CMOS LSI is used in this module, take care of static electricity and insure human earth when handling.
- 7) Do not open nor modify the Module Assembly.
- 8) Do not press the reflector sheet at the back of the module to any directions.
- 9) At the insertion or removal of the Signal Interface Connector, be sure not to rotate nor tilt the Interface Connector of the TFT Module.
- 11) After installation of the TFT Module into an enclosure (Notebook PC Bezel, for example), do not twist nor bend the TFT Module even momentary. At designing the enclosure, it should be taken into consideration that no bending/twisting forces are applied to the TFT Module from outside. Otherwise the TFT Module may be damaged.
- 12) Small amount of materials having no flammability grade is used in the LCD module. The LCD module should be supplied by power complied with requirements of Limited Power Source (IEC60950 or UL1950), or be applied exemption.
- 13) Disconnecting power supply before handling LCD modules, it can prevent electric shock, DO NOT TOUCH the electrode parts, cables, connectors and LED circuit part of TFT module that a LED light bar build in as a light source of back light unit. It can prevent electrostatic breakdown.



2. General Description

B156XW04 V5 is a Color Active Matrix Liquid Crystal Display composed of a TFT LCD panel, a driver circuit, and LED backlight system. The screen format is intended to support the 16:9 HD, 1366(H) x768(V) screen and 262k colors (RGB 6-bits data driver) with LED backlight driving circuit. All input signals are LVDS interface compatible.

B156XW04 V5 is designed for a display unit of notebook style personal computer and industrial machine.

2.1 General Specification

The following items are characteristics summary on the table at 25 °C condition:

| Items | Unit | Specifications | | | |
|--|----------------------|--|------|------|-------|
| Screen Diagonal | [mm] | 394.9 (15.55) | | | |
| Active Area | [mm] | 344.2 X193.5 | | | |
| Pixels H x V | | 1366x3(RGB) x 768 | | | |
| Pixel Pitch | [mm] | 0.252X0.252 | | | |
| Pixel Format | | R.G.B. Vertical Stripe | | | |
| Display Mode | | Normally White | | | |
| White Luminance (ILED=20mA) (Note: ILED is LED current) | [cd/m ²] | 200 typ. (5 points average) 170 min. (5 points average) | | | |
| Luminance Uniformity | | 1.25 max. (5 points) | | | |
| Contrast Ratio | | 500 typ | | | |
| Response Time | [ms] | 8 typ / 16 Max | | | |
| Nominal Input Voltage VDD | [Volt] | +3.3 typ. | | | |
| Power Consumption | [Watt] | 3.4 max. (Include Logic and Blu power) | | | |
| Weight | [Grams] | 420 max. | | | |
| Physical Size Include bracket | [mm] | | Min. | Typ. | Max. |
| | | Length | -- | -- | 360 |
| | | Width | -- | -- | 224.3 |
| | | Thickness | -- | -- | 3.8 |
| Module Flatness | [mm] | 0.5 Max | | | |
| Electrical Interface | | 1 channel LVDS | | | |
| Glass Thickness | [mm] | 0.5 | | | |
| Surface Treatment | | Glare, Hardness 3H | | | |
| Support Color | | 262K colors (RGB 6-bit) | | | |



Product Specification

AU OPTRONICS CORPORATION

| | | |
|--------------------------------|------|-----------------|
| Temperature Range Operating | [°C] | 0 to +50 |
| Storage (Non-Operating) | [°C] | -20 to +60 |
| RoHS Compliance | | RoHS Compliance |

2.2 Optical Characteristics

The optical characteristics are measured under stable conditions at 25°C (Room Temperature) :

| Item | Symbol | Conditions | Min. | Typ. | Max. | Unit | Note |
|-----------------------------------|----------------|--------------------------------------|-------|-------|-------|-------------------|----------|
| White Luminance $I_{LED=20mA}$ | | 5 points average | 170 | 200 | - | cd/m ² | 1, 4, 5. |
| Viewing Angle | θ_R | Horizontal (Right) CR = 10 (Left) | 40 | 45 | - | degree | 4, 9 |
| | θ_L | | 40 | 45 | - | | |
| | ϕ_H | Vertical (Upper) CR = 10 (Lower) | 10 | 15 | - | | |
| | ϕ_L | | 30 | 35 | - | | |
| Luminance Uniformity | δ_{5P} | 5 Points | - | - | 1.25 | | 1, 3, 4 |
| Luminance Uniformity | δ_{13P} | 13 Points | - | - | 1.55 | | 2, 3, 4 |
| Contrast Ratio | CR | | 400 | 500 | - | | 4, 6 |
| Cross talk | % | | | | 4 | | 4, 7 |
| Response Time | T_r | Rising | - | 2 | - | msec | 4, 8 |
| | T_f | Falling | - | 6 | - | | |
| | T_{RT} | Rising + Falling | - | 8 | 16 | | |
| Color / Chromaticity Coordinates | Red | Rx | 0.560 | 0.590 | 0.620 | CIE 1931 | 4 |
| | | Ry | 0.310 | 0.340 | 0.370 | | |
| | Green | Gx | 0.300 | 0.330 | 0.360 | | |
| | | Gy | 0.520 | 0.550 | 0.580 | | |
| | Blue | Bx | 0.120 | 0.150 | 0.180 | | |
| | | By | 0.110 | 0.140 | 0.170 | | |
| | White | Wx | 0.283 | 0.313 | 0.343 | | |
| | | Wy | 0.299 | 0.329 | 0.359 | | |
| NTSC | % | | - | 45 | - | | |

Note 1: 5 points position (Ref: Active area)



Note 2: 13 points position (Ref: Active area)



Note 3: The luminance uniformity of 5 or 13 points is defined by dividing the maximum luminance values by the minimum test point luminance

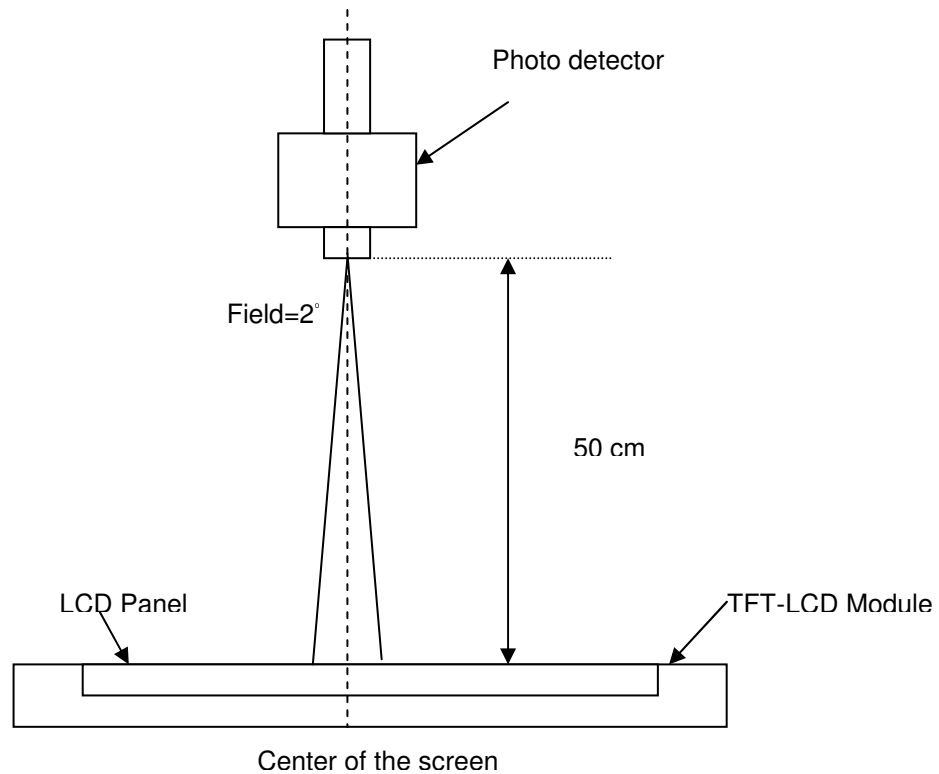
$$\delta_{w5} = \frac{\text{Maximum Brightness of five points}}{\text{Minimum Brightness of five points}}$$

$$\delta_{w13} = \frac{\text{Maximum Brightness of thirteen points}}{\text{Minimum Brightness of thirteen points}}$$

Note 4: Measurement method

The LCD module should be stabilized at given temperature for 30 minutes to avoid abrupt temperature change during measuring. In order to stabilize the luminance, the measurement should be executed after lighting

Backlight for 30 minutes in a stable, windless and dark room, and it should be measured in the center of screen.



Note 5 : Definition of Average Luminance of White (Y_L):

Measure the luminance of gray level 63 at 5 points · $Y_L = [L(1) + L(2) + L(3) + L(4) + L(5)] / 5$

$L(x)$ is corresponding to the luminance of the point X at Figure in Note (1).

Note 6 : Definition of contrast ratio:

Contrast ratio is calculated with the following formula.

$$\text{Contrast ratio (CR)} = \frac{\text{Brightness on the "White" state}}{\text{Brightness on the "Black" state}}$$

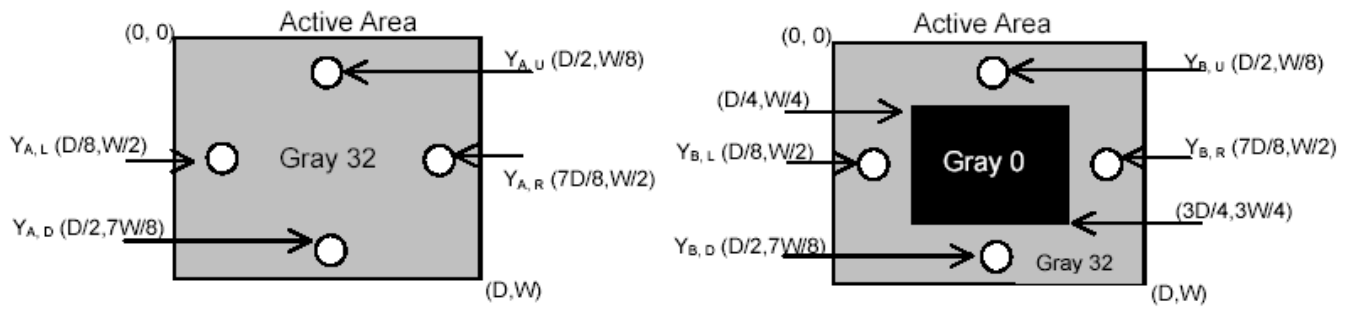
Note 7 : Definition of Cross Talk (CT)

$$CT = |Y_B - Y_A| / Y_A \times 100 (\%)$$

Where

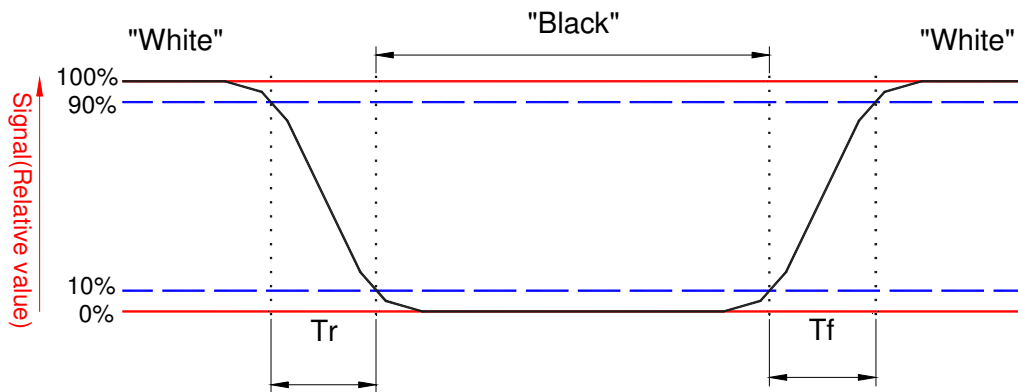
Y_A = Luminance of measured location without gray level 0 pattern (cd/m^2)

Y_B = Luminance of measured location with gray level 0 pattern (cd/m^2)



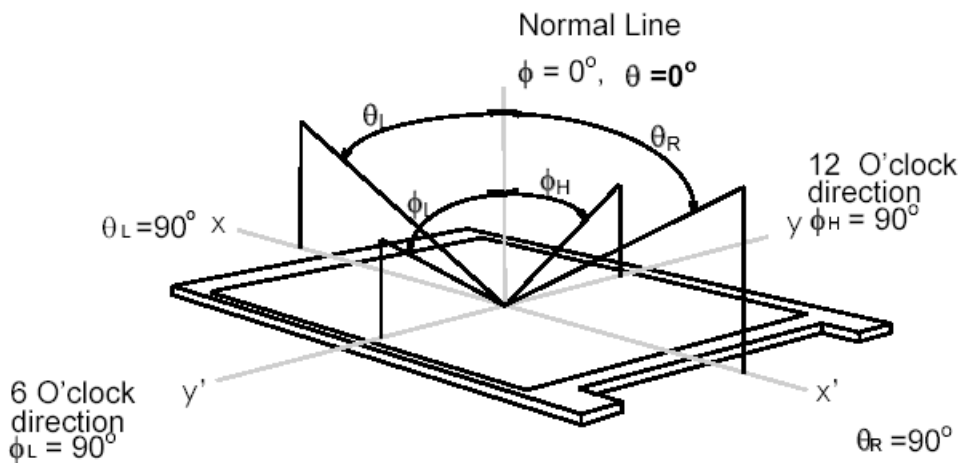
Note 8: Definition of response time:

The output signals of BM-7 or equivalent are measured when the input signals are changed from "Black" to "White" (falling time) and from "White" to "Black" (rising time), respectively. The response time interval between the 10% and 90% of amplitudes. Refer to figure as below.



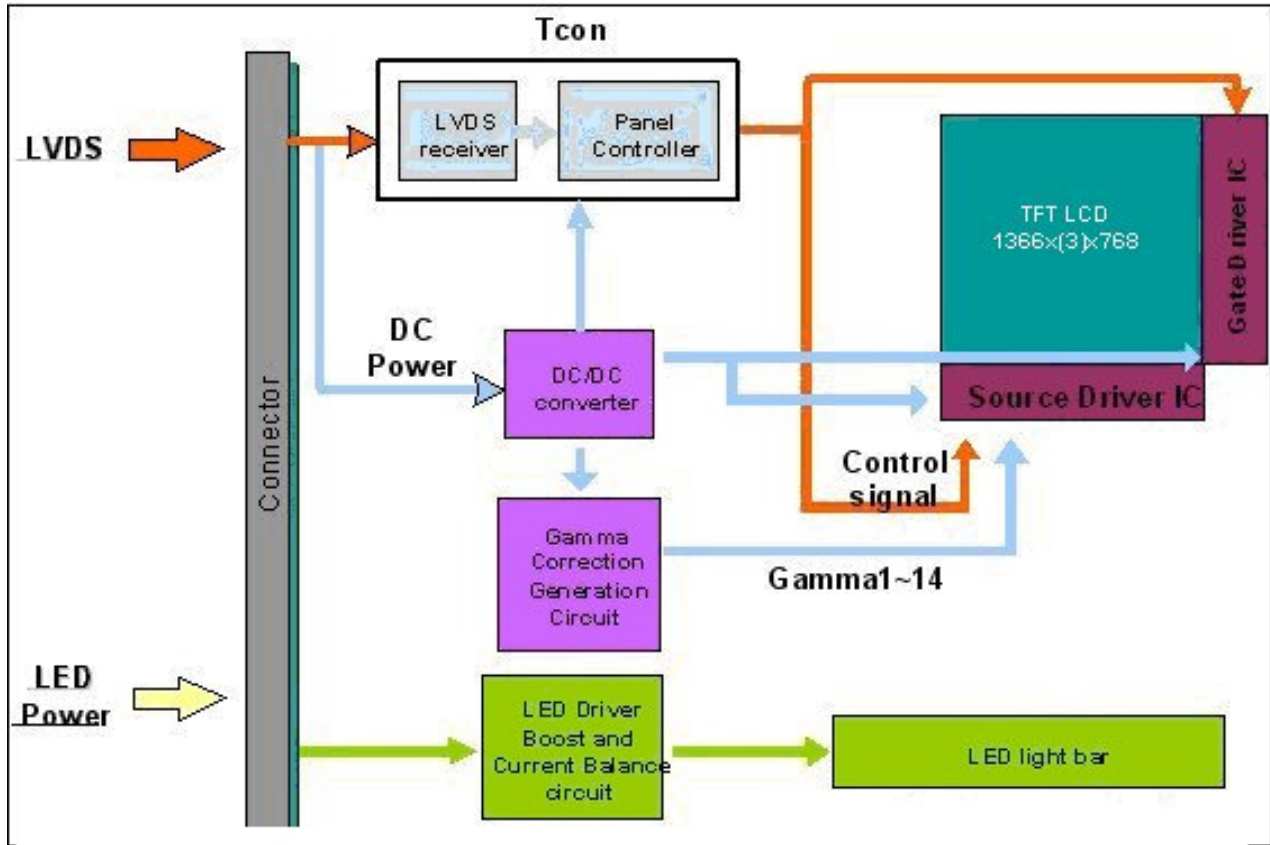
Note 9. Definition of viewing angle

Viewing angle is the measurement of contrast ratio ≥ 10 , at the screen center, over a 180° horizontal and 180° vertical range (off-normal viewing angles). The 180° viewing angle range is broken down as follows; 90° (θ) horizontal left and right and 90° (ϕ) vertical, high (up) and low (down). The measurement direction is typically perpendicular to the display surface with the screen rotated about its center to develop the desired measurement viewing angle.



3. Functional Block Diagram

The following diagram shows the functional block of the 15.6 inches wide Color TFT/LCD 40 Pin one channel Module



4. Absolute Maximum Ratings

An absolute maximum rating of the module is as following:

4.1 Absolute Ratings of TFT LCD Module

| Item | Symbol | Min | Max | Unit | Conditions |
|-------------------------|--------|------|------|--------|------------|
| Logic/LCD Drive Voltage | Vin | -0.3 | +4.0 | [Volt] | Note 1,2 |

4.2 Absolute Ratings of Environment

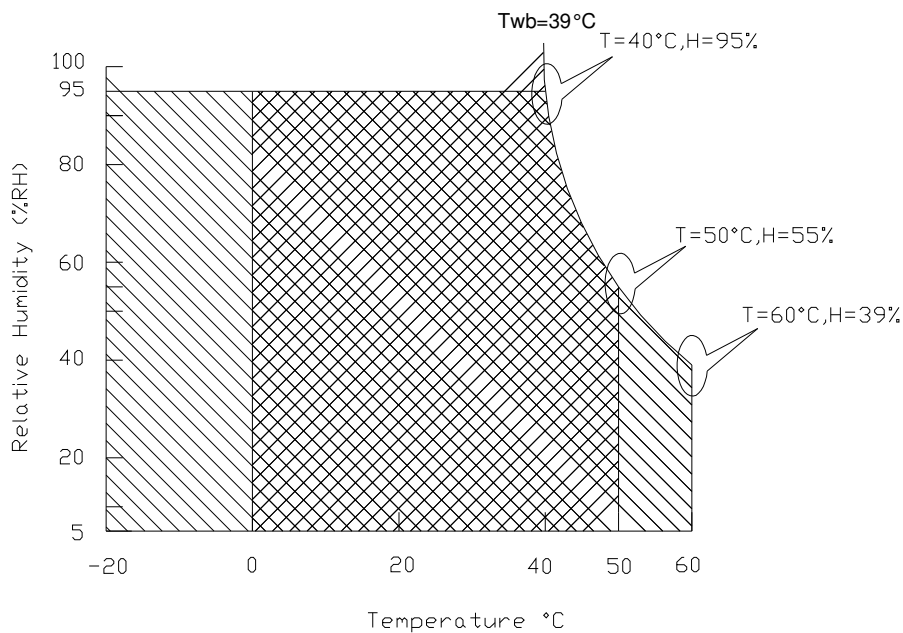
| Item | Symbol | Min | Max | Unit | Conditions |
|-----------------------|--------|-----|-----|-------|------------|
| Operating Temperature | TOP | 0 | +50 | [°C] | Note 4 |
| Operation Humidity | HOP | 5 | 95 | [%RH] | Note 4 |
| Storage Temperature | TST | -20 | +60 | [°C] | Note 4 |
| Storage Humidity | HST | 5 | 95 | [%RH] | Note 4 |

Note 1: At Ta (25°C)

Note 2: Permanent damage to the device may occur if exceed maximum values

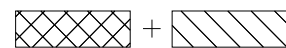
Note 3: LED specification refer to section 5.2

Note 4: For quality performance, please refer to AUO IIS (Incoming Inspection Standard).



Operating Range 

Storage Range



5. Electrical Characteristics

5.1 TFT LCD Module

5.1.1 Power Specification

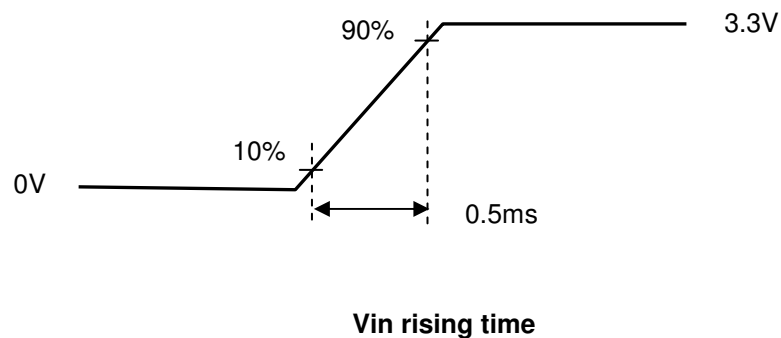
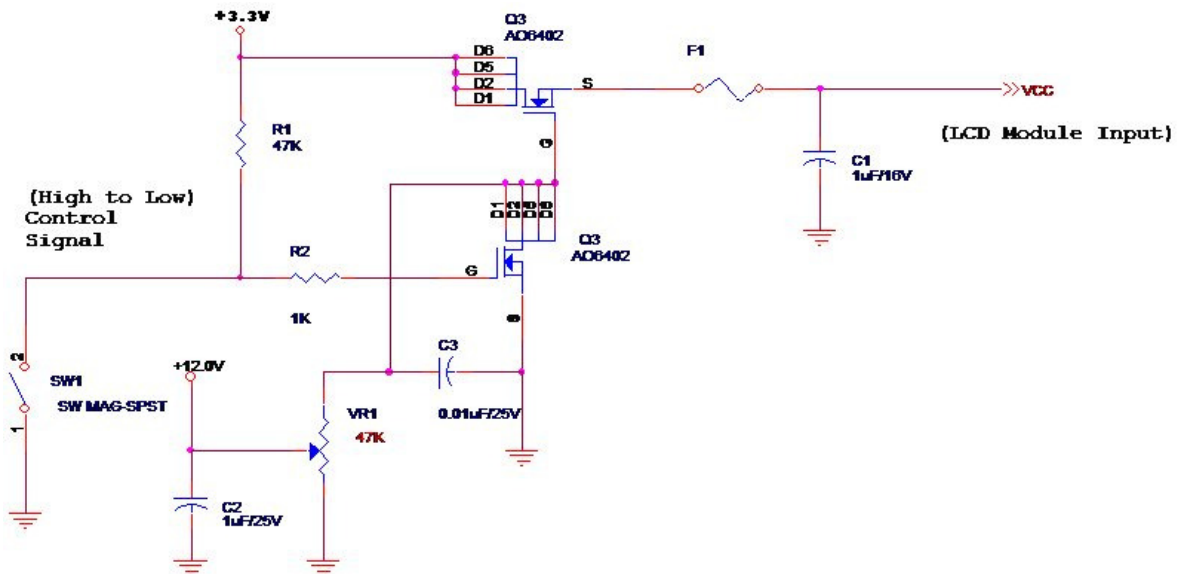
Input power specifications are as follows;

The power specification are measured under 25°C and frame frequency under 60Hz

| Symble | Parameter | Min | Typ | Max | Units | Note |
|--------|--|-----|-----|------|-------------|--------|
| VDD | Logic/LCD Drive Voltage | 3.0 | 3.3 | 3.6 | [Volt] | |
| PDD | VDD Power | - | - | 0.6 | [Watt] | Note 1 |
| IDD | IDD Current | - | - | 166 | [mA] | Note 1 |
| IRush | Inrush Current | - | - | 2000 | [mA] | Note 2 |
| VDDrp | Allowable Logic/LCD Drive Ripple Voltage | - | - | 100 | [mV] p-p | |

Note 1 : Maximum Measurement Condition : Black Pattern at 3.3V driving voltage. ($P_{max} = V_{3.3} \times I_{black}$)

Note 2 : Measure Condition



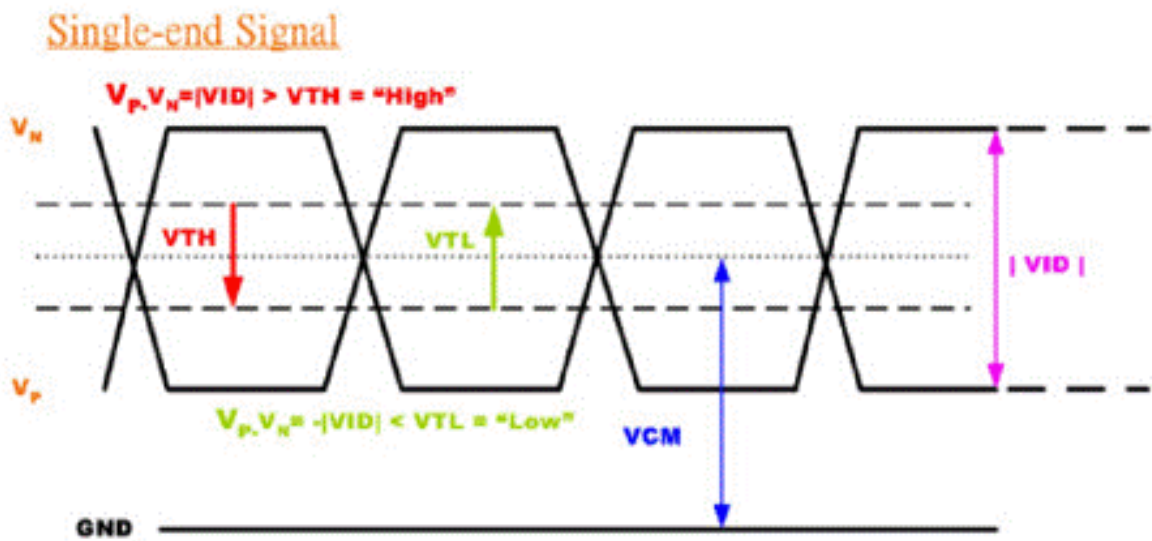
5.1.2 Signal Electrical Characteristics

Input signals shall be low or High-impedance state when VDD is off.

Signal electrical characteristics are as follows;

| Parameter | Condition | Min | Max | Unit |
|------------|--|-------|-------|------|
| V_{TH} | Differential Input High Threshold ($V_{cm}=+1.2V$) | | 100 | [mV] |
| V_{TL} | Differential Input Low Threshold ($V_{cm}=+1.2V$) | -100 | - | [mV] |
| $ V_{ID} $ | Differential Input Voltage | 100 | 600 | [mV] |
| V_{CM} | Differential Input Common Mode Voltage | 1.125 | 1.375 | [V] |

Note: LVDS Signal Waveform



5.1.3 Color Management Characteristics

| Parameter | Symbol | Min | Typ | Max | Units | Remark |
|-----------------------------------|--------|-----|-----|-----|--------|---|
| Color Management Input High Level | IMG_EN | 3.0 | - | 5.5 | [Volt] | Define as Connector Interface (Ta=25°C) |
| Color Management Input Low Level | | - | - | 0.8 | [Volt] | |

| Item | | Symbol | Conditions | Min. | Typ. | Max. |
|----------------------------------|--------------------------------------|--------|------------|-------|-------|-------|
| Color / Chromaticity Coordinates | Green + Blue (75% Cyan Gray Color) | Cx | L48 | 0.195 | 0.235 | 0.275 |
| | | Cy | | 0.289 | 0.329 | 0.369 |
| | Red + Green (75% Yellow Gray Color) | Yx | | 0.370 | 0.410 | 0.450 |
| | | Yy | | 0.443 | 0.483 | 0.523 |
| | Red + Blue (75% Magenta Gray Color) | Mx | | 0.255 | 0.295 | 0.335 |
| | | My | | 0.144 | 0.184 | 0.224 |

5.1.4 Dynamic contrast ratio Characteristics

| Parameter | Symbol | Min | Typ | Max | Units | Remark |
|--|--------|-------|-------|-------|--------|---|
| Dynamic contrast ratio(DCR) Input High Level | DCR_EN | 3.0 | - | 5.5 | [Volt] | Define as Connector Interface (Ta=25°C) |
| Dynamic contrast ratio(DCR) Input Low Level | | - | - | 0.8 | [Volt] | |
| DCR Mode Duty Index | Duty | 55 | - | 85 | % | Note 1 |
| L0 Gray level | Power | 0.45P | 0.55P | 0.65P | Watt | Note 2 |
| L63 Gray level | Power | 0.75P | 0.85P | 0.95P | Watt | |

Note 1: The minimums dynamic contrast ratio is setting at darkness, and a maximum is setting at brightness.

Note 2: The power saving capability refer to original Backlight power consumption (P)

5.2 Backlight Unit

5.2.1 LED characteristics

| Parameter | Symbol | Min | Typ | Max | Units | Condition |
|-----------------------------|--------|--------|-----|-----|--------|-------------------------------|
| Backlight Power Consumption | PLED | - | - | 2.8 | [Watt] | (Ta=25°C), Note 1 Vin =12V |
| LED Life-Time | N/A | 12,000 | - | - | Hour | (Ta=25°C), Note 2 If=20 mA |

Note 1: Calculator value for reference $P_{LED} = V_F$ (Normal Distribution) * I_F (Normal Distribution) / Efficiency

Note 2: The LED life-time define as the estimated time to 50% degradation of initial luminous.

5.2.2 Backlight input signal characteristics

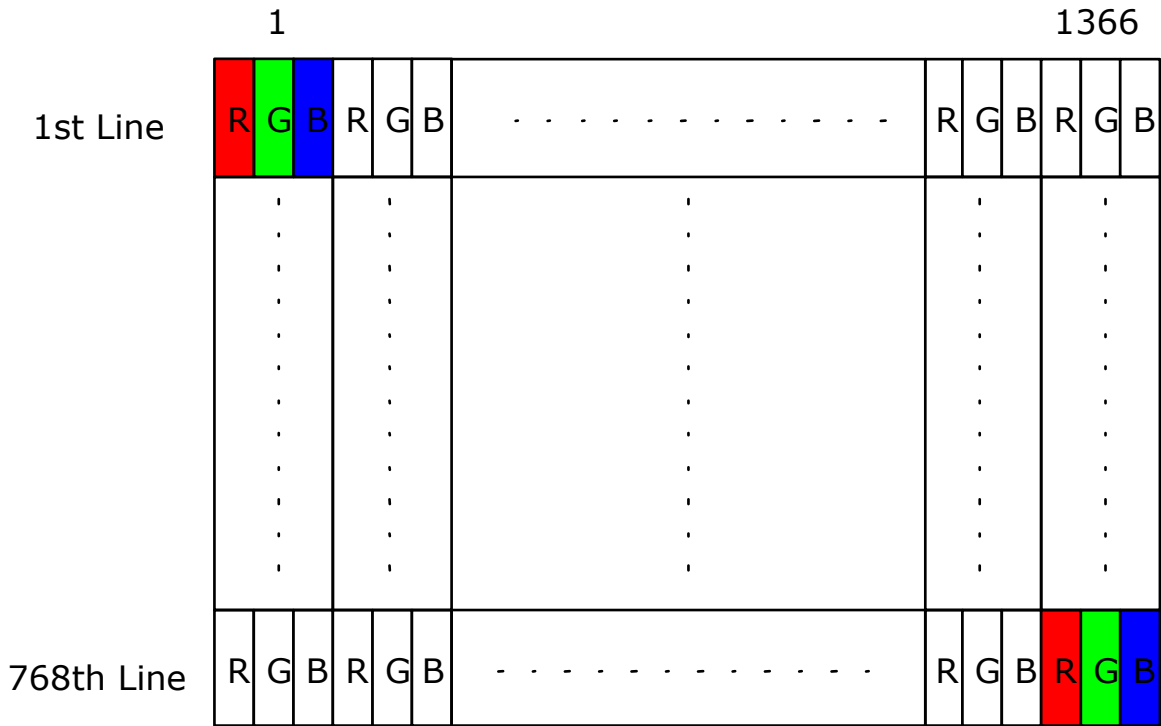
| Parameter | Symbol | Min | Typ | Max | Units | Remark |
|-----------------------------|---------|-----|------|------|--------|--|
| LED Power Supply | VLED | 7.0 | 12.0 | 21.0 | [Volt] | Define as Connector Interface (Ta=25°C) |
| LED Enable Input High Level | VLED_EN | 2.5 | - | 5.5 | [Volt] | |
| LED Enable Input Low Level | | - | - | 0.8 | [Volt] | |
| PWM Logic Input High Level | VPWM_EN | 2.5 | - | 5.5 | [Volt] | |
| PWM Logic Input Low Level | | - | - | 0.8 | [Volt] | |
| PWM Input Frequency | FPWM | 700 | 1K | 2K | Hz | |
| PWM Duty Ratio | Duty | 5 | -- | 100 | % | |



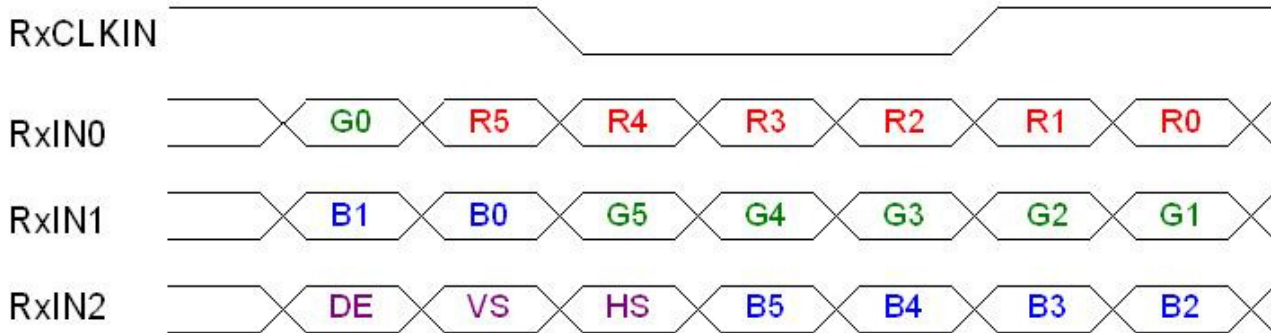
6. Signal Interface Characteristic

6.1 Pixel Format Image

Following figure shows the relationship of the input signals and LCD pixel format.



6.2 The Input Data Format



| Signal Name | Description | |
|----------------------------------|--|---|
| R5 R4 R3 R2 R1 R0 | Red Data 5 (MSB) Red Data 4 Red Data 3 Red Data 2 Red Data 1 Red Data 0 (LSB) | Red-pixel Data Each red pixel's brightness data consists of these 6 bits pixel data. |
| G5 G4 G3 G2 G1 G0 | Green Data 5 (MSB) Green Data 4 Green Data 3 Green Data 2 Green Data 1 Green Data 0 (LSB) | Green-pixel Data Each green pixel's brightness data consists of these 6 bits pixel data. |
| B5 B4 B3 B2 B1 B0 | Blue Data 5 (MSB) Blue Data 4 Blue Data 3 Blue Data 2 Blue Data 1 Blue Data 0 (LSB) | Blue-pixel Data Each blue pixel's brightness data consists of these 6 bits pixel data. |
| RxCLKIN | Data Clock | The signal is used to strobe the pixel data and DE signals. All pixel data shall be valid at the falling edge when the DE signal is high. |
| DE | Display Timing | This signal is strobed at the falling edge of RxCLKIN. When the signal is high, the pixel data shall be valid to be displayed. |
| VS | Vertical Sync | The signal is synchronized to RxCLKIN . |
| HS | Horizontal Sync | The signal is synchronized to RxCLKIN . |

Note: Output signals from any system shall be low or High-impedance state when VDD is off.

6.3 Integration Interface Requirement

6.3.1 Connector Description

Physical interface is described as for the connector on module.

These connectors are capable of accommodating the following signals and will be following components.

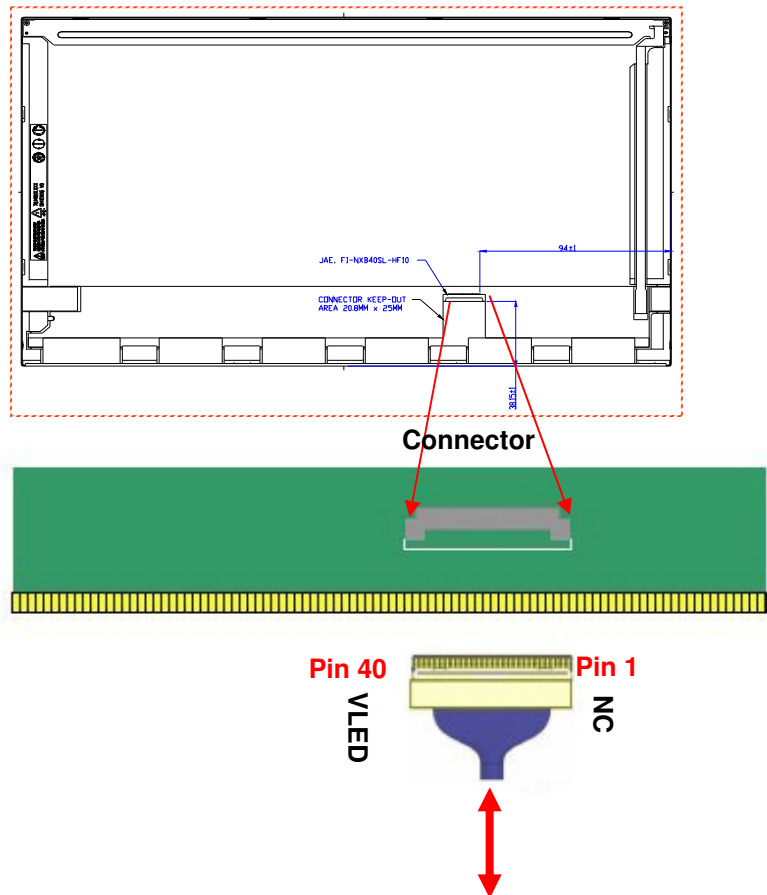
| Connector Name / Designation | For Signal Connector |
|------------------------------|-----------------------------------|
| Manufacturer | IPEX or compatible |
| Type / Part Number | IPEX 20455-040E-12R or compatible |
| Mating Housing/Part Number | IPEX 20453-040T-01 or compatible |

6.3.2 Pin Assignment

LVDS is a differential signal technology for LCD interface and high speed data transfer device.

| PIN# | Signal Name | Description |
|------|-------------|---|
| 1 | NC | No Connection (Reserve) |
| 2 | VDD | Power Supply +3.3V |
| 3 | VDD | Power Supply +3.3V |
| 4 | VEDID | EDID +3.3V Power |
| 5 | NC | No Connect (Reserve) |
| 6 | CLK_EDID | EDID Clock Input |
| 7 | DAT_EDID | EDID Data Input |
| 8 | RxOIN0- | -LVDS Differential Data INPUT(Odd R0-R5,G0) |
| 9 | RxOIN0+ | +LVDS Differential Data INPUT(Odd R0-R5,G0) |
| 10 | VSS | Ground |
| 11 | RxOIN1- | -LVDS Differential Data INPUT(Odd G1-G5,B0-B1) |
| 12 | RxOIN1+ | +LVDS Differential Data INPUT(Odd G1-G5,B0-B1) |
| 13 | VSS | Ground |
| 14 | RxOIN2- | -LVDS Differential Data INPUT(Odd B2-B5,HS,VS,DE) |
| 15 | RxOIN2+ | +LVDS Differential Data INPUT(Odd B2-B5,HS,VS,DE) |
| 16 | VSS | Ground |
| 17 | RxOCKIN- | -LVDS Odd Differential Clock INPUT |
| 18 | RxOCKIN+ | -LVDS Odd Differential Clock INPUT |
| 19 | IMG_EN | Color Management Input Level |
| 20 | NC | No connection |
| 21 | NC | No connection |
| 22 | NC | No connection |

| | | |
|----|----------|------------------------------------|
| 23 | NC | No connection |
| 24 | NC | No connection |
| 25 | NC | No connection |
| 26 | NC | No connection |
| 27 | NC | No connection |
| 28 | NC | No connection |
| 29 | NC | No connection |
| 30 | NC | No connection |
| 31 | VLED_GND | LED Ground |
| 32 | VLED_GND | LED Ground |
| 33 | VLED_GND | LED Ground |
| 34 | NC | No Connection (Reserve) |
| 35 | VPWM_EN | PWM logic input level |
| 36 | VLED_EN | LED enable input level |
| 37 | DCR_EN | Dynamic Contrast Ratio Input Level |
| 38 | VLED | LED Power Supply |
| 39 | VLED | LED Power Supply |
| 40 | VLED | LED Power Supply |



Note1: Input signals shall be low or High-impedance state when VDD is off.

6.4 Interface Timing

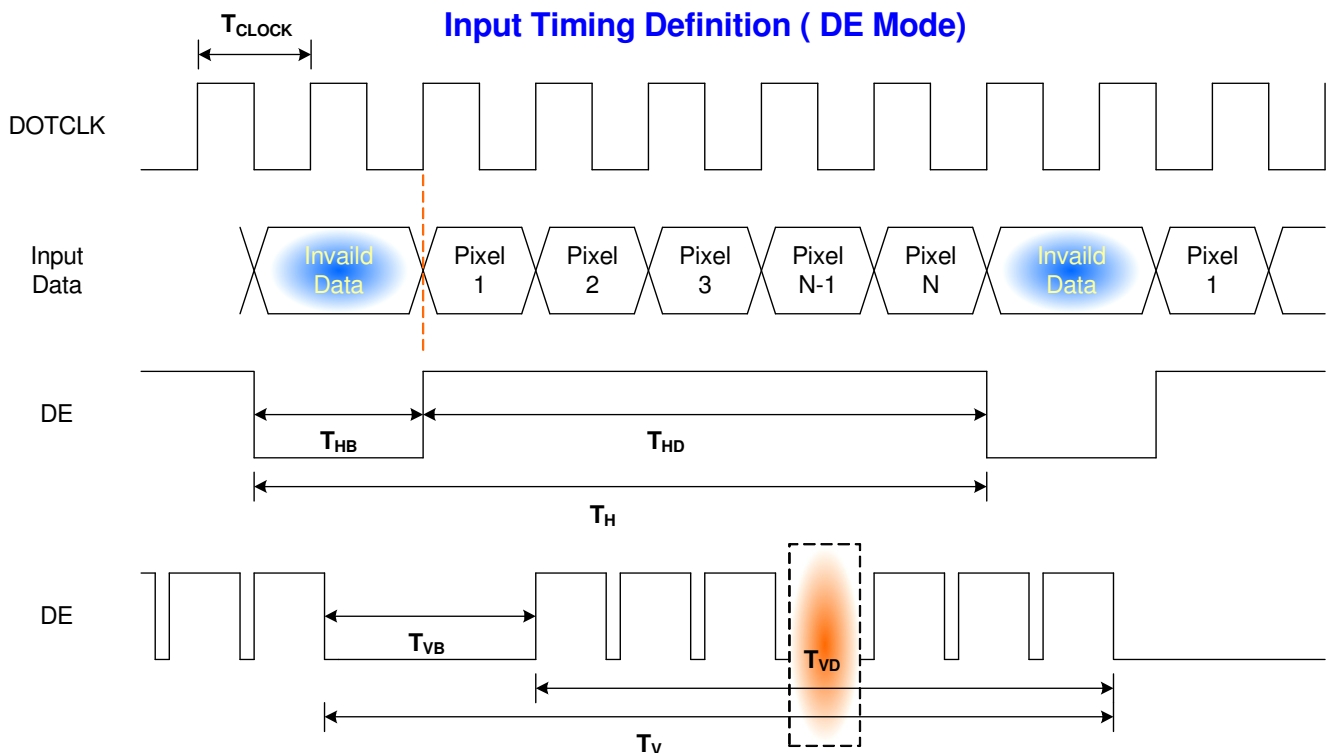
6.4.1 Timing Characteristics

Basically, interface timings should match the 1366x768 /60Hz manufacturing guide line timing.

| Parameter | Symbol | Min. | Typ. | Max. | Unit | |
|--------------------|----------------------|----------|------|------|------|--------------------|
| Frame Rate | - | - | 60 | - | Hz | |
| Clock frequency | $1/T_{\text{Clock}}$ | 65 | 69.3 | 80 | MHz | |
| Vertical Section | Period | T_V | 780 | 808 | - | T_{Line} |
| | Active | T_{VD} | 768 | | | |
| | Blanking | T_{VB} | 12 | 23 | - | |
| Horizontal Section | Period | T_H | 1400 | 1440 | - | T_{Clock} |
| | Active | T_{HD} | 1366 | | | |
| | Blanking | T_{HB} | 34 | 160 | - | |

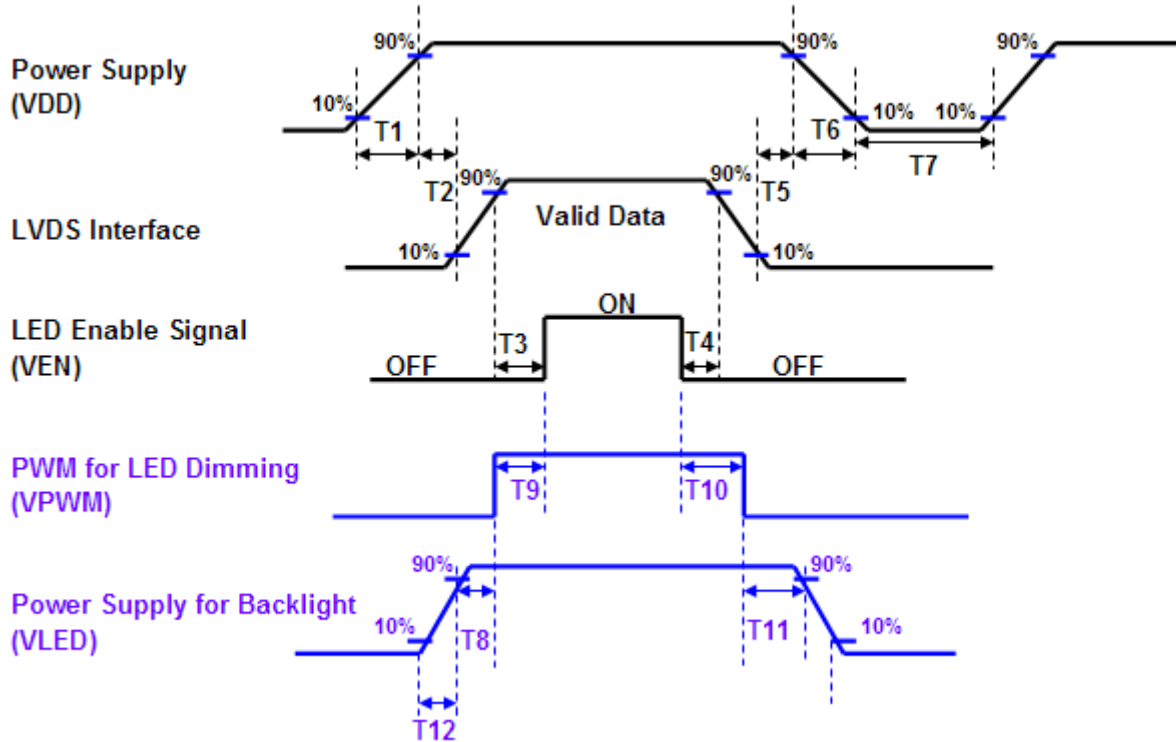
Note : DE mode only

6.4.2 Timing diagram



6.5 Power ON/OFF Sequence

Power on/off sequence is as follows. Interface signals and LED on/off sequence are also shown in the chart. Signals from any system shall be Hi-Z state or low level when VDD is off



| Power Sequence Timing | | | |
|-----------------------|-------|------|-------|
| Parameter | Value | | Units |
| | Min. | Max. | |
| T1 | 0.5 | 10 | ms |
| T2 | 0 | 50 | |
| T3 | 300 | - | |
| T4 | 300 | - | |
| T5 | 0 | 50 | |
| T6 | 0 | 10 | |
| T7 | 500 | - | |
| T8 | 10 | - | |
| T9 | 10 | 180 | |
| T10 | 10 | 180 | |
| T11 | 10 | - | |
| T12 | 0.5 | 10 | |

7. Panel Reliability Test

7.1 Vibration Test

Test Spec:

- Test method: Non-Operation
- Acceleration: 1.5 G
- Frequency: 10 - 500Hz Random
- Sweep: 30 Minutes each Axis (X, Y, Z)

7.2 Shock Test

Test Spec:

- Test method: Non-Operation
- Acceleration: 220 G , Half sine wave
- Active time: 2 ms
- Pulse: X,Y,Z .one time for each side

7.3 Reliability Test

| Items | Required Condition | Note |
|----------------------------|--|--------|
| Temperature Humidity Bias | Ta= 40°C, 90%RH, 300h | |
| High Temperature Operation | Ta= 50°C, Dry, 300h | |
| Low Temperature Operation | Ta= 0°C, 300h | |
| High Temperature Storage | Ta= 60°C, 35%RH, 300h | |
| Low Temperature Storage | Ta= -20°C, 50%RH, 250h | |
| Thermal Shock Test | Ta=-20°C to 60°C, Duration at 30 min, 100 cycles | |
| ESD | Contact : ±8 KV Air : ±15 KV | Note 1 |

Note1: According to EN 61000-4-2 , ESD class B: Some performance degradation allowed. Self-recoverable.

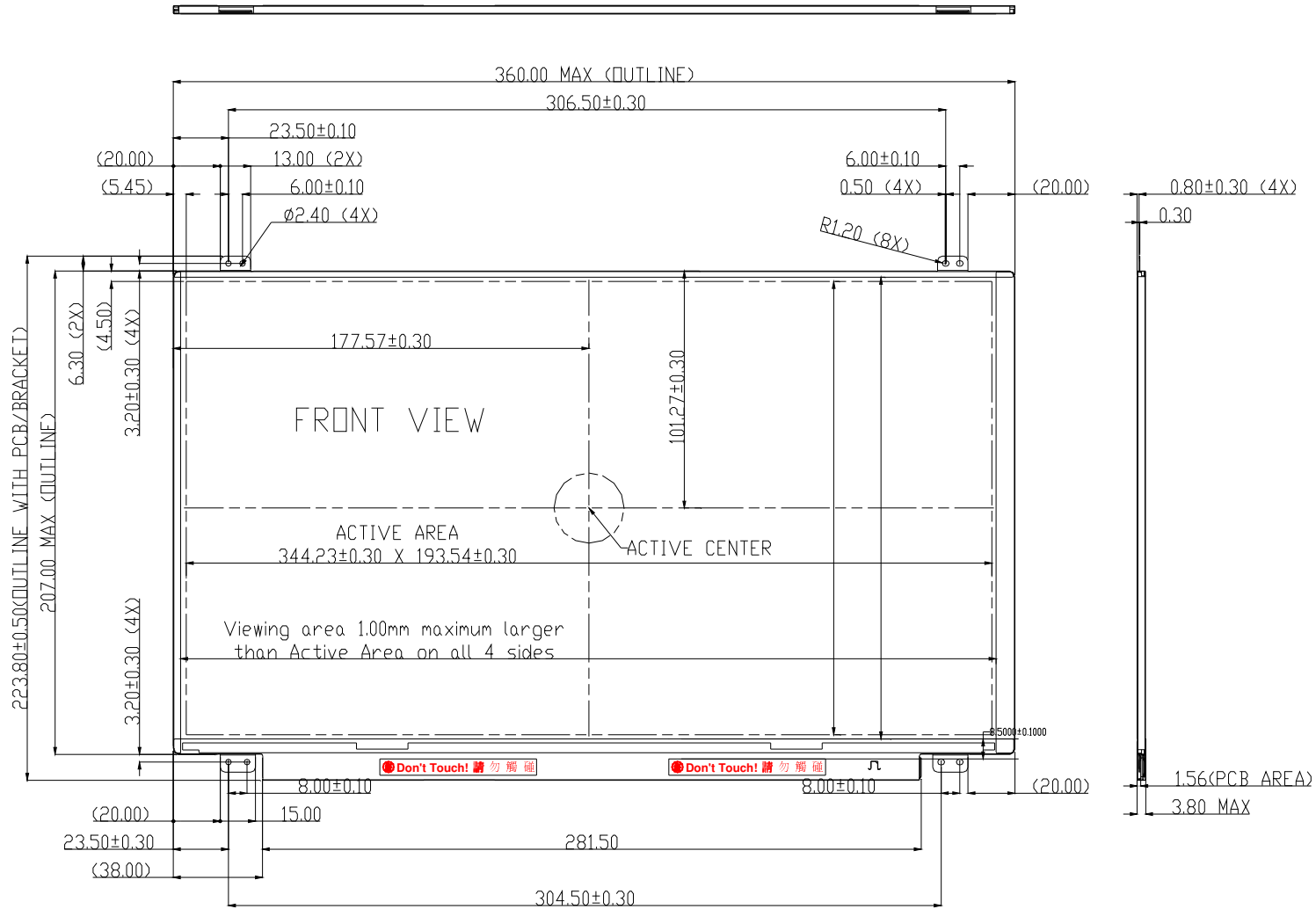
No data lost, No hardware failures.

Remark: MTBF (Excluding the LED): 30,000 hours with a confidence level 90%

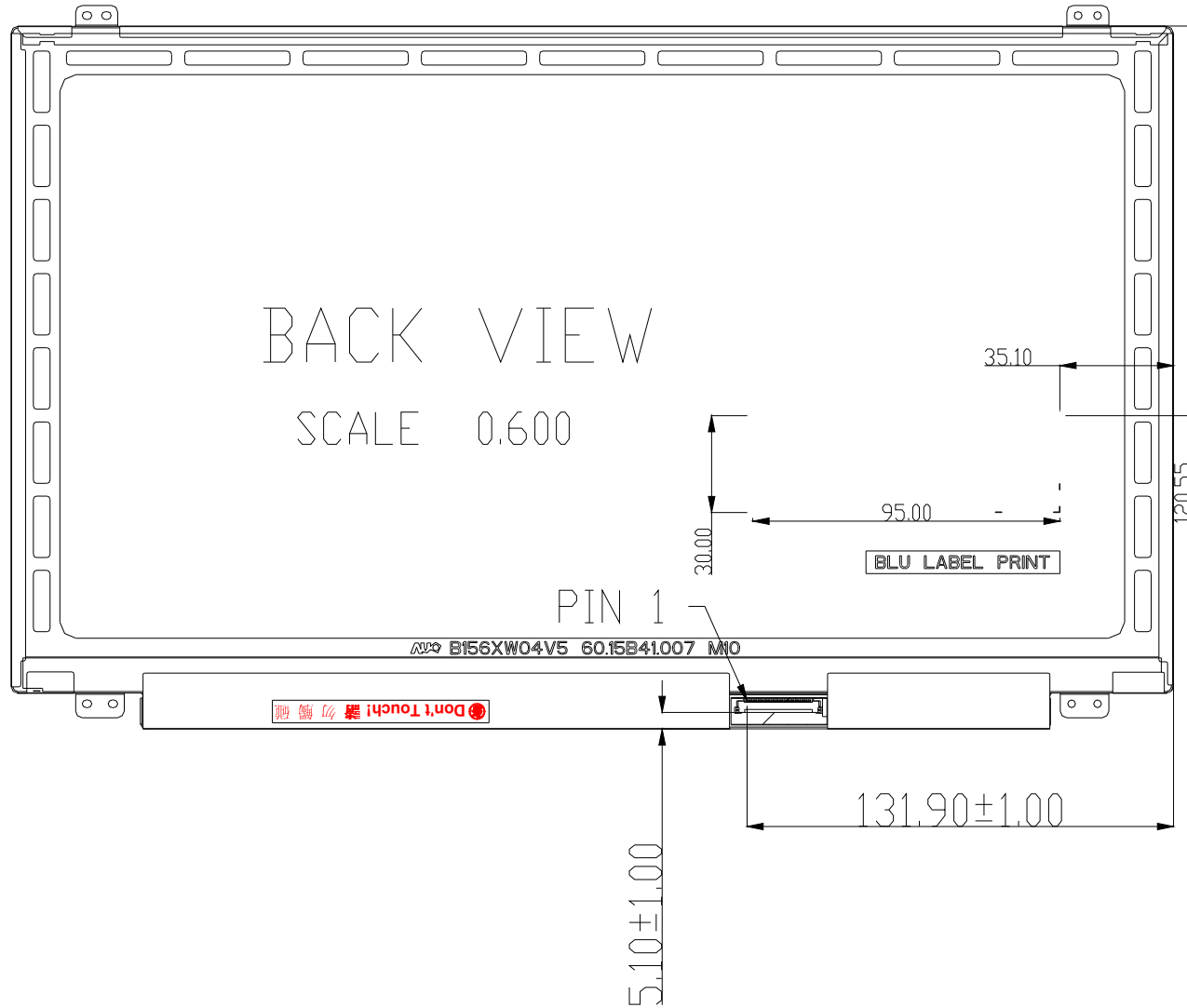
8. Mechanical Characteristics

8.1 LCM Outline Dimension

8.1.1 Standard Front View

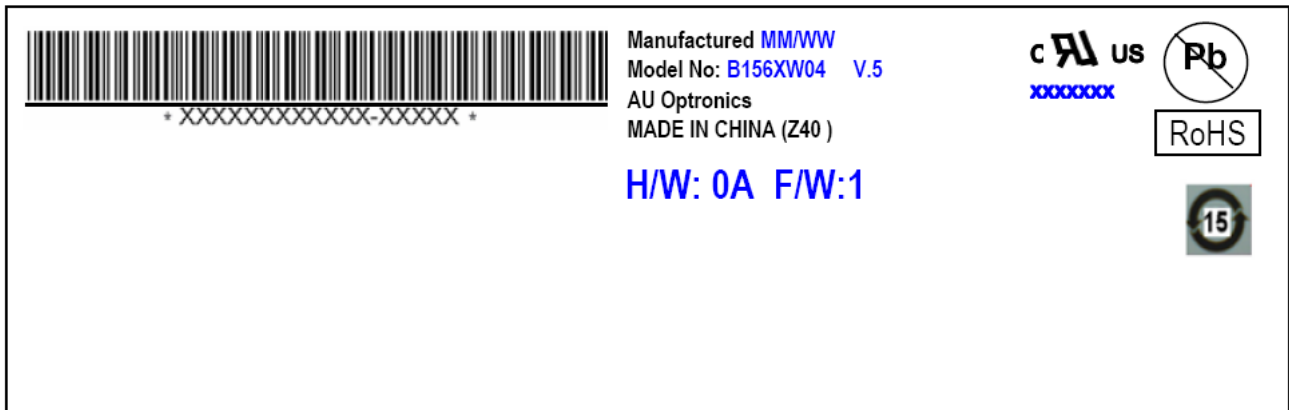
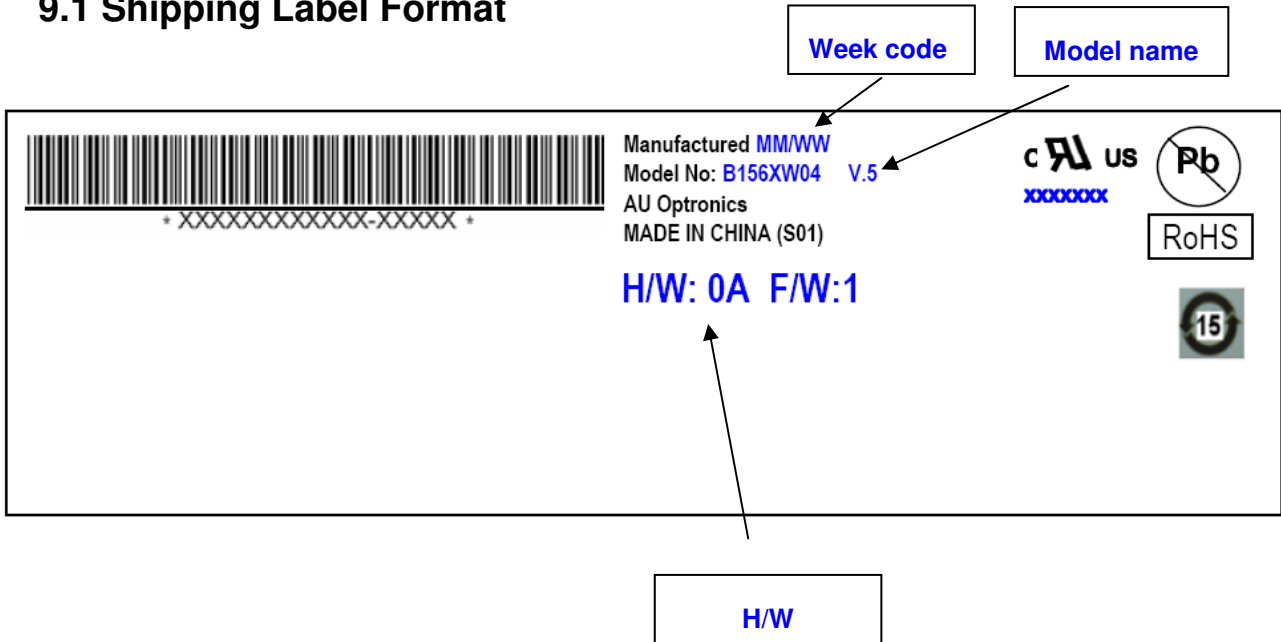


8.1.2 Standard Rear View



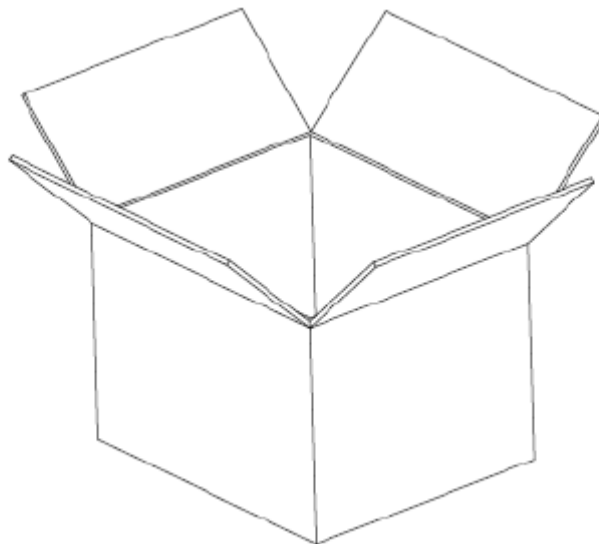
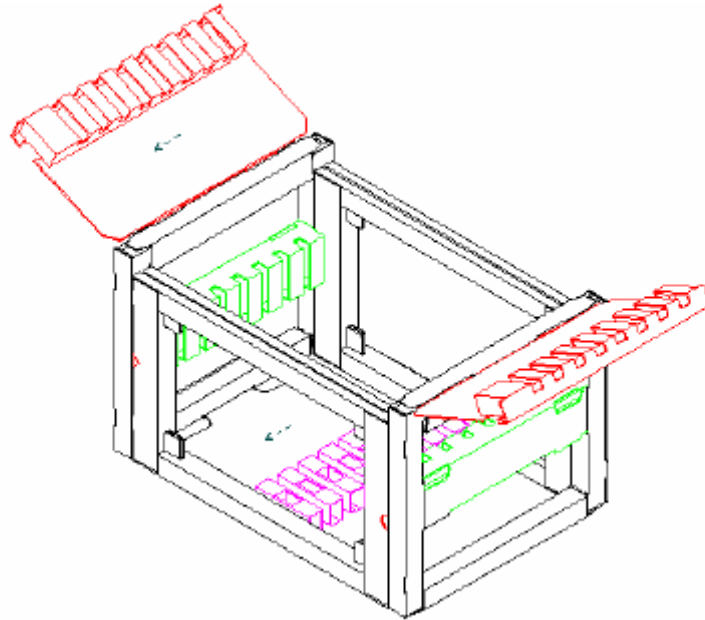
9. Shipping and Package

9.1 Shipping Label Format



9.2 Carton Package

The outside dimension of carton is 480(L)mm x 341 (W)mm x 302 (H)mm



9.3 Handling guide

This is a thin and slim LCD model, and please be cautious when pulling it out of package or assembling it onto platform. Careless handlings, e.g. twist, bending, pressing, or collision, will result malfunction of LCD models.

(1) Handling method notice



Do not lift and hold the panel with single hand at right or left side from tray.

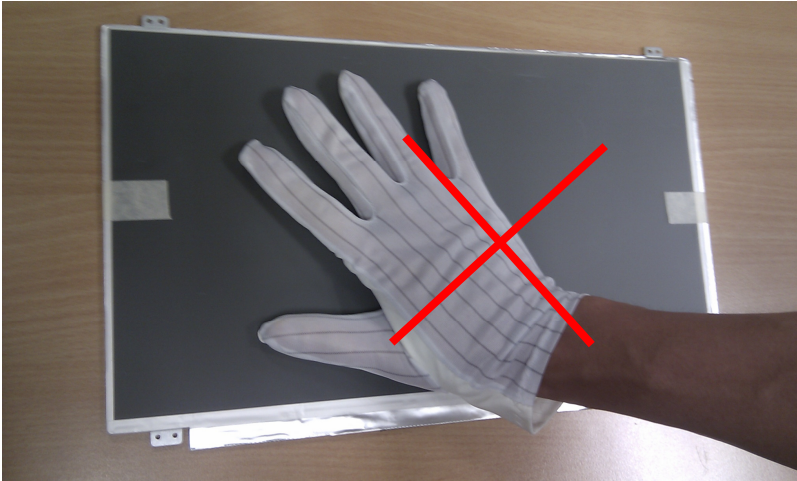


Lift and hold the panel up with both hands from tray.

(2) On the table notice



Do not press edge of panel to avoid glass broken.

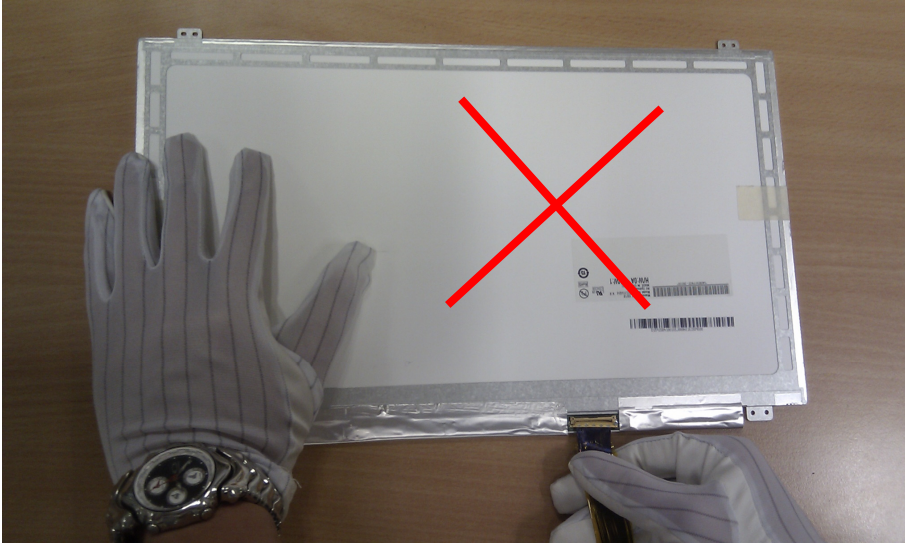


Do not press the surface of the panel to avoid the glass broken or polarizer scratch.

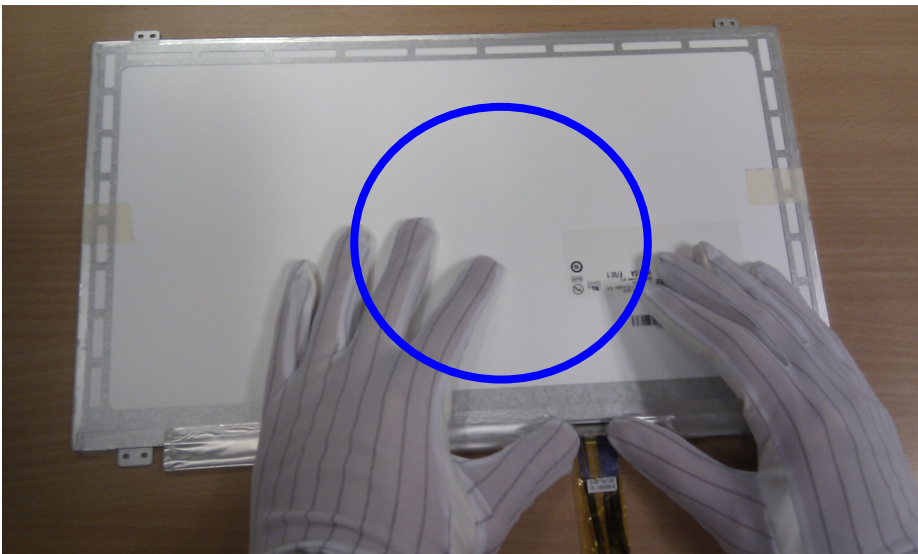


Do not put anything or tool on the panel to avoid the glass broken or polarizer scratch.

(3) Cable assembly notice

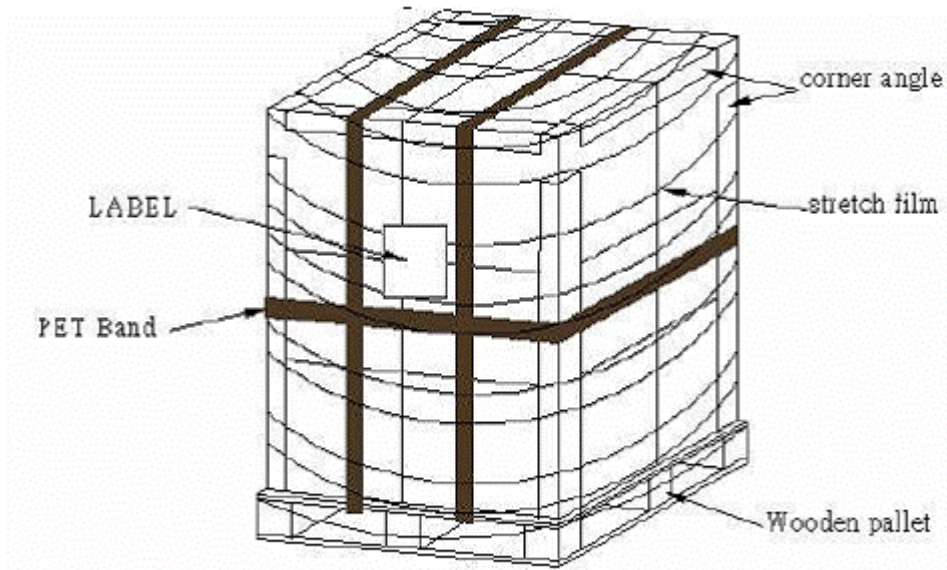


Do not insert the connector with single hand and touching the PCBA.



Insert the connector by pushing right and left edge.

9.4 Shipping Package of Palletizing Sequence





10. Appendix

10.1 EDID Description

| Address | FUNCTION | Value | Value | Value | Note |
|---------|---|-------|----------|-------|------|
| HEX | | HEX | BIN | DEC | |
| 00 | Header | 00 | 00000000 | 0 | |
| 01 | | FF | 11111111 | 255 | |
| 02 | | FF | 11111111 | 255 | |
| 03 | | FF | 11111111 | 255 | |
| 04 | | FF | 11111111 | 255 | |
| 05 | | FF | 11111111 | 255 | |
| 06 | | FF | 11111111 | 255 | |
| 07 | | 00 | 00000000 | 0 | |
| 08 | EISA Manuf. Code LSB | 06 | 00000110 | 6 | |
| 09 | Compressed ASCII | AF | 10101111 | 175 | |
| 0A | Product Code | EC | 11101100 | 236 | |
| 0B | hex, LSB first | 45 | 01000101 | 69 | |
| 0C | 32-bit ser # | 01 | 00000001 | 1 | |
| 0D | | 00 | 00000000 | 0 | |
| 0E | | 00 | 00000000 | 0 | |
| 0F | | 00 | 00000000 | 0 | |
| 10 | Week of manufacture | 01 | 00000001 | 1 | |
| 11 | Year of manufacture | 14 | 00010100 | 20 | |
| 12 | EDID Structure Ver. | 01 | 00000001 | 1 | |
| 13 | EDID revision # | 03 | 00000011 | 3 | |
| 14 | Video input def. (<i>digital I/P, non-TMDS, CRGB</i>) | 80 | 10000000 | 128 | |
| 15 | Max H image size (<i>rounded to cm</i>) | 22 | 00100010 | 34 | |
| 16 | Max V image size (<i>rounded to cm</i>) | 13 | 00010011 | 19 | |
| 17 | Display Gamma (<i>=(gamma*100)-100</i>) | 78 | 01111000 | 120 | |
| 18 | Feature support (<i>no DPMS, Active OFF, RGB, tmg Blk#1</i>) | 0A | 00001010 | 10 | |
| 19 | Red/green low bits (Lower 2:2:2:2 bits) | 0B | 00001011 | 11 | |
| 1A | Blue/white low bits (Lower 2:2:2:2 bits) | B5 | 10110101 | 181 | |
| 1B | Red x (Upper 8 bits) | 97 | 10010111 | 151 | |
| 1C | Red y/ highER 8 bits | 57 | 01010111 | 87 | |
| 1D | Green x | 54 | 01010100 | 84 | |
| 1E | Green y | 8C | 10001100 | 140 | |
| 1F | Blue x | 26 | 00100110 | 38 | |
| 20 | Blue y | 23 | 00100011 | 35 | |
| 21 | White x | 50 | 01010000 | 80 | |
| 22 | White y | 54 | 01010100 | 84 | |
| 23 | Established timing 1 | 00 | 00000000 | 0 | |
| 24 | Established timing 2 | 00 | 00000000 | 0 | |
| 25 | Established timing 3 | 00 | 00000000 | 0 | |
| 26 | Standard timing #1 | 01 | 00000001 | 1 | |
| 27 | | 01 | 00000001 | 1 | |
| 28 | Standard timing #2 | 01 | 00000001 | 1 | |
| 29 | | 01 | 00000001 | 1 | |



Product Specification

AU OPTRONICS CORPORATION

| | | | | | |
|----|--|----|----------|-----|--|
| 2A | Standard timing #3 | 01 | 00000001 | 1 | |
| 2B | | 01 | 00000001 | 1 | |
| 2C | Standard timing #4 | 01 | 00000001 | 1 | |
| 2D | | 01 | 00000001 | 1 | |
| 2E | Standard timing #5 | 01 | 00000001 | 1 | |
| 2F | | 01 | 00000001 | 1 | |
| 30 | Standard timing #6 | 01 | 00000001 | 1 | |
| 31 | | 01 | 00000001 | 1 | |
| 32 | Standard timing #7 | 01 | 00000001 | 1 | |
| 33 | | 01 | 00000001 | 1 | |
| 34 | Standard timing #8 | 01 | 00000001 | 1 | |
| 35 | | 01 | 00000001 | 1 | |
| 36 | Pixel Clock/10000 LSB | 12 | 00010010 | 18 | |
| 37 | Pixel Clock/10000 USB | 1B | 00011011 | 27 | |
| 38 | Horz active Lower 8bits | 56 | 01010110 | 86 | |
| 39 | Horz blanking Lower 8bits | 60 | 01100000 | 96 | |
| 3A | HorzAct:HorzBlnk Upper 4:4 bits | 50 | 01010000 | 80 | |
| 3B | Vertical Active Lower 8bits | 00 | 00000000 | 0 | |
| 3C | Vertical Blanking Lower 8bits | 16 | 00010110 | 22 | |
| 3D | Vert Act : Vertical Blanking (upper 4:4 bit) | 30 | 00110000 | 48 | |
| 3E | HorzSync. Offset | 08 | 00001000 | 8 | |
| 3F | HorzSync.Width | 0A | 00001010 | 10 | |
| 40 | VertSync.Offset : VertSync.Width | 31 | 00110001 | 49 | |
| 41 | Horz&Vert Sync Offset/Width Upper 2bits | 00 | 00000000 | 0 | |
| 42 | Horizontal Image Size Lower 8bits | 58 | 01011000 | 88 | |
| 43 | Vertical Image Size Lower 8bits | C1 | 11000001 | 193 | |
| 44 | Horizontal & Vertical Image Size (upper 4:4 bits) | 10 | 00010000 | 16 | |
| 45 | Horizontal Border <i>(zero for internal LCD)</i> | 00 | 00000000 | 0 | |
| 46 | Vertical Border <i>(zero for internal LCD)</i> | 00 | 00000000 | 0 | |
| 47 | Signal <i>(non-intr, norm, no stereo, sep sync, neg pol)</i> | 18 | 00011000 | 24 | |
| 48 | Detailed timing/monitor | 00 | 00000000 | 0 | |
| 49 | descriptor #2 | 00 | 00000000 | 0 | |
| 4A | | 00 | 00000000 | 0 | |
| 4B | | 0F | 00001111 | 15 | |
| 4C | | 00 | 00000000 | 0 | |
| 4D | | 00 | 00000000 | 0 | |
| 4E | | 00 | 00000000 | 0 | |
| 4F | | 00 | 00000000 | 0 | |
| 50 | | 00 | 00000000 | 0 | |
| 51 | | 00 | 00000000 | 0 | |
| 52 | | 00 | 00000000 | 0 | |
| 53 | | 00 | 00000000 | 0 | |
| 54 | | 00 | 00000000 | 0 | |
| 55 | | 00 | 00000000 | 0 | |
| 56 | | 00 | 00000000 | 0 | |
| 57 | | 00 | 00000000 | 0 | |
| 58 | | 00 | 00000000 | 0 | |
| 59 | | 20 | 00100000 | 32 | |
| 5A | Detailed timing/monitor | 00 | 00000000 | 0 | |



Product Specification


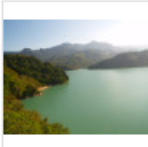



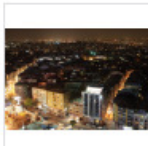












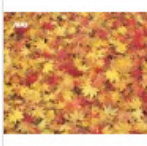

AU OPTRONICS CORPORATION

| | | | | | |
|----|-------------------------|----|----------|-----|---|
| 5B | descriptor #3 | 00 | 00000000 | 0 | |
| 5C | | 00 | 00000000 | 0 | |
| 5D | | FE | 11111110 | 254 | |
| 5E | | 00 | 00000000 | 0 | |
| 5F | Manufacture | 41 | 01000001 | 65 | A |
| 60 | Manufacture | 55 | 01010101 | 85 | U |
| 61 | Manufacture | 4F | 01001111 | 79 | O |
| 62 | | 0A | 00001010 | 10 | |
| 63 | | 20 | 00100000 | 32 | |
| 64 | | 20 | 00100000 | 32 | |
| 65 | | 20 | 00100000 | 32 | |
| 66 | | 20 | 00100000 | 32 | |
| 67 | | 20 | 00100000 | 32 | |
| 68 | | 20 | 00100000 | 32 | |
| 69 | | 20 | 00100000 | 32 | |
| 6A | | 20 | 00100000 | 32 | |
| 6B | | 20 | 00100000 | 32 | |
| 6C | Detailed timing/monitor | 00 | 00000000 | 0 | |
| 6D | descriptor #4 | 00 | 00000000 | 0 | |
| 6E | | 00 | 00000000 | 0 | |
| 6F | | FE | 11111110 | 254 | |
| 70 | | 00 | 00000000 | 0 | |
| 71 | Manufacture P/N | 42 | 01000010 | 66 | B |
| 72 | Manufacture P/N | 31 | 00110001 | 49 | 1 |
| 73 | Manufacture P/N | 35 | 00110101 | 53 | 5 |
| 74 | Manufacture P/N | 36 | 00110110 | 54 | 6 |
| 75 | Manufacture P/N | 58 | 01011000 | 88 | X |
| 76 | Manufacture P/N | 57 | 01010111 | 87 | W |
| 77 | Manufacture P/N | 30 | 00110000 | 48 | 0 |
| 78 | Manufacture P/N | 34 | 00110100 | 52 | 4 |
| 79 | Manufacture P/N | 20 | 00100000 | 32 | |
| 7A | Manufacture P/N | 56 | 01010110 | 86 | V |
| 7B | Manufacture P/N | 35 | 00110101 | 53 | 5 |
| 7C | | 20 | 00100000 | 32 | |
| 7D | | 0A | 00001010 | 10 | |
| 7E | Extension Flag | 00 | 00000000 | 0 | |
| 7F | Checksum | 47 | 01000111 | 71 | |

10.2 Color Standardization Photographs

Standardization photographs have declared by AUO

TFT panel character has corresponding with photographs optimum setting

| | | | | | | |
|--|--|--|--|---|--|--|
| <p>Darkness Pattern</p> |  <p>Darkness-1</p> | | | | | |
| <p>Brightness Pattern</p> |  <p>Brightness-1</p> | |  <p>Brightness-2</p> | | | |
| <p>Text Optimization</p> |  <p>Texture Optimum-1</p> | |  <p>Texture Optimum-2</p> | | | |
| <p>High Contrast Ratio Pattern</p> |  <p>High contrast ratio-1</p> |  <p>High contrast ratio-2</p> |  <p>High contrast ratio-3</p> |  <p>High contrast ratio-4</p> | | |
| <p>Visual High Color Saturation</p> |  <p>Visual high color-1</p> |  <p>Visual high color-2</p> |  <p>Visual high color-3</p> |  <p>Visual high color-4</p> |  <p>Visual high color-5</p> | |
| <p>Sharpness Pattern</p> |  <p>Sharpness-1</p> |  <p>Sharpness-2</p> |  <p>Sharpness-3</p> |  <p>Sharpness-4</p> |  <p>Sharpness-5</p> |  <p>Sharpness_8</p> |