

Capacitors for Power Factor Correction
B32343 / B32344
PhiCap; Metallized Polypropylene Film Capacitor; 3-Phase
Preliminary data
Features

- Dielectric Polypropylene film
- Resin filling Non-PCB, soft polyurethane
- Safety device Overpressure disconnecter, self-healing technology
- Case Extruded round aluminum can with stud
- Mounting and grounding Threaded M8 (Ø 53 mm) / M12 stud on bottom of can
- Cooling Naturally air-cooled (or forced air cooling)
- Degree of protection Indoor mounting (optionally with cap for IP32)
- Terminals Series B32343 – 6.3 mm fast-on terminals
Series B32344 – Sigut terminal

- Three-phase delta-connected and provided with discharge resistors

Characteristics

Rated capacitance C_N and Q_N	According to specification table
Tolerance	-5% / +10%
Rated voltage U_N	According to specification table
Rated frequency f_R	50 and 60 Hz

Maximum ratings

Maximum permissible voltage U_{max}	1.1 x U_N for a maximum of 8 h daily 1.2 x U_N (up to 5 min) and 1.3 x U_N (up to 1 min)
Maximum permissible current I_{max}	1.5 x I_N
Maximum transient inrush current	200 x I_N
Power dissipation	≤ 0.35 W / kVAr

Test data

AC test voltage terminal-to-terminal	2.15 x U_N , 2s
Insulation voltage between terminals and container	3000 Vac, 10s
Dissipation factor $\tan\delta$ at 50 Hz	≤ 6.0 x 10 ⁻⁴

Climatic category –25/D

Lower category temperature T_{min}	-25°C
Upper category temperature T_{max}	+55°C
Maximum permissible humidity	95%
Maximum permissible altitude	4000 m above sea level
Life expectancy	> 100,000 operating hours

Reference standards IEC 831 – 1 / 2 and IS:2834

Preliminary data

Specification table and ordering codes
Rated voltage 230 V

Type	Output kvar at 50 Hz	Output kvar at 60 Hz	Capacitance μF 3 x	d x h mm	Weight kg	Ordering code
MKP230-D-0.5	0.5	0.60	10.0	53 x 114	0.3	B32343C2002A530
MKP230-D-0.7	0.7	0.90	15.0	53 x 114	0.3	B32343C2002A730
MKP230-D-1.0	1.0	1.20	20.0	63.5 x 129	0.3	B32343C2012A030
MKP230-D-1.5	1.5	1.80	30.0	63.5 x 129	0.4	B32343C2012A530
MKP230-D-2.5	2.5	3.00	50.0	79.5 x 195	0.6	B32344C2022A530
MKP230-D-5.0	5.0	6.00	100.0	89.5 x 270	1.7	B32344C2052A030
MKP230-D-7.5	7.5	9.00	150.0	89.5 x 270	2.1	B32344C2072A530
MKP230-D-10.0	10.0	12.00	200.0	89.5 x 345	2.1	B32344C2102A030

Rated voltage 400 V

Type	Output kvar at 50 Hz	Output kvar at 60 Hz	Capacitance μF 3 x	d x h mm	Weight kg	Ordering code
MKP400-D-1.0	1.0	1.20	7.0	53 x 114	0.3	B32343C4012A000
MKP400-D-1.5	1.5	1.80	10.0	53 x 114	0.3	B32343C4012A500
MKP400-D-2.0	2.0	2.40	14.0	63.5 x 129	0.4	B32343C4022A000
MKP400-D-2.5	2.5	3.00	17.0	63.5 x 129	0.4	B32343C4022A500
MKP400-D-5.0	5.0	6.00	34.0	63.5 x 129	0.4	B32343C4052A000
MKP400-D-6.3	6.3	7.50	42.0	79.5 x 195	0.6	B32344C4071A500
MKP400-D-7.5	7.5	9.00	50.0	79.5 x 195	0.9	B32344C4072A500
MKP400-D-8.3	8.3	10.00	55.0	79.5 x 195	0.9	B32344C4101A000
MKP400-D-10.0	10.0	12.00	66.5	79.5 x 195	0.9	B32344C4102A000
MKP400-D-12.5	12.5	15.00	83.0	89.5 x 270	1.3	B32344C4122A500

Preliminary data

MKP400-D-15.0	15.0	18.00	99.5	89.5 x 270	1.7	B32344C4152A000
MKP400-D-20.0	20.0	24.00	132.5	89.5 x 345	2.1	B32344C4202A000
MKP400-D-25.0	25.0	--	166.0	89.5 x 345	2.1	B32344C4252A000

Rated voltage 415 V

Type	Output kvar at 50 Hz	Output kvar at 60 Hz	Capacitance μF 3 x	d x h mm	Weight kg	Ordering code
MKP415-D-1.0	1.0	1.20	6.0	53 x 114	0.3	B32343C4012A010
MKP415-D-1.5	1.5	1.80	9.0	53 x 114	0.3	B32343C4012A510
MKP415-D-2.0	2.0	2.40	12.5	53 x 114	0.4	B32343C4022A010
MKP415-D-2.5	2.5	3.00	15.5	63.5 x 129	0.4	B32343C4022A510
MKP415-D-5.0	5.0	6.00	31.0	63.5 x 154	0.4	B32343C4052A010
MKP415-D-6.3	6.3	7.50	39.0	79.5 x 195	0.6	B32344C4071A510
MKP415-D-7.5	7.5	9.00	46.0	79.5 x 195	0.9	B32344C4072A510
MKP415-D-10.0	10.0	12.00	61.5	79.5 x 195	0.8	B32344C4102A010
MKP415-D-12.5	12.5	15.00	77.0	89.5 x 270	1.3	B32344C4122A510
MKP415-D-15.0	15.0	18.00	92.5	89.5 x 270	1.3	B32344C4152A010
MKP415-D-20.0	20.0	24.00	123.0	89.5 x 345	2.1	B32344C4202A010
MKP415-D-25.0	25.0	30.00	154.0	89.5 x 345	2.1	B32344C4252A010

Preliminary data
Rated voltage 440 V

Type	Output kvar at 50 Hz	Output kvar at 60 Hz	Capacitance μF 3 x	d x h mm	Weight kg	Ordering code
MKP440-D-0.9	0.9	1.00	5.0	53 x 114	0.3	B32343C4011A040
MKP440-D-1.0	1.0	1.20	5.5	53 x 114	0.3	B32343C4012A040
MKP440-D-1.2	1.2	1.50	7.0	53 x 114	0.3	B32343C4011A540
MKP440-D-1.5	1.5	1.70	8.0	53 x 114	0.3	B32343C4012A540
MKP440-D-2.1	2.1	2.50	11.5	53 x 114	0.4	B32343C4021A540
MKP440-D-2.5	2.5	3.00	13.5	63.5 x 129	0.3	B32343C4022A540
MKP440-D-4.2	4.2	5.00	23.0	63.5 x 129	0.4	B32343C4051A040
MKP440-D-5.0	5.0	6.00	27.5	63.5 x 154	0.5	B32343C4052A040
MKP440-D-6.3	6.3	7.50	34.0	79.5 x 195	0.7	B32344C4071A540
MKP440-D-7.5	7.5	9.00	41.0	79.5 x 195	0.8	B32344C4072A540
MKP440-D-8.3	8.3	10.00	45.5	79.5 x 195	0.9	B32344C4101A040
MKP440-D-10	10.0	12.00	55.0	79.5 x 230	1.1	B32344C4102A040
MKP440-D-10.4	10.4	12.50	57.0	89.5 x 270	1.7	B32344C4121A540
MKP440-D-12.5	12.5	15.00	68.5	89.5 x 270	1.7	B32344C4151A040
MKP440-D-15.0	15.0	18.00	82.0	89.5 x 270	1.7	B32344C4152A040
MKP440-D-16.7	16.7	20.00	91.5	89.5 x 345	2.1	B32344C4201A040
MKP440-D-20.8	20.8	25.00	114.0	89.5 x 345	2.1	B32344C4251A040
MKP440-D-25.0	25.0	30.00	138.0	94 x 345	2.1	B32344C4252A040

Preliminary data
Rated voltage 480 V

Type	Output kvar at 50 Hz	Output kvar at 60 Hz	Capacitance μF 3 x	d x h mm	Weight kg	Ordering code
MKP-D-480-1.0	1.0	1.20	4.5	53 x 114	0.4	B32343C4012A080
MKP-D-480-1.5	1.5	1.80	7.0	63.5 x 129	0.4	B32343C4012A580
MKP-D-480-2.0	2.0	2.40	9.0	63.5 x 129	0.4	B32343C4022A080
MKP-D-480-2.5	2.5	3.00	11.5	63.5 x 129	0.4	B32343C4022A580
MKP-D-480-5.0	5.0	6.00	23.0	79.5 x 195	0.8	B32344C4052A080
MKP-D-480-6.3	6.3	7.50	29.0	89.5 x 270	0.8	B32344C4071A580
MKP-D-480-7.5	7.5	8.90	34.5	89.5 x 270	0.8	B32344C4072A580
MKP-D-480-8.3	8.3	10.00	28.5	89.5 x 270	0.8	B32344C4101A080
MKP-D-480-10.4	10.4	12.50	48.0	89.5 x 345	2.1	B32344C4121A580
MKP-D-480-12.5	12.5	15.00	57.5	89.5 x 345	2.1	B32344C4151A080
MKP-D-480-15.0	15.0	18.00	69.0	89.5 x 345	1.7	B32344C4152A080
MKP-D-480-16.7	16.7	20.00	77.0	89.5 x 345	1.8	B32344C4162A780
MKP-D-480-20.8	20.8	25.00	96.0	89.5 x 345	2.0	B32344C4202A080

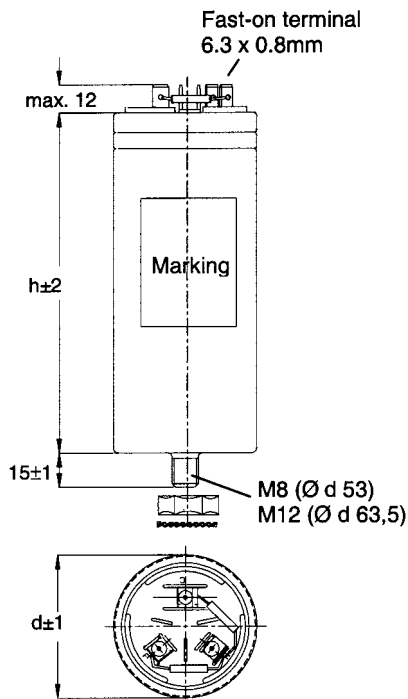
Preliminary data
Rated voltage 525 V

Type	Output kvar at 50 Hz	Output kvar at 60 Hz	Capacitance μF 3 x	d x h mm	Weight kg	Ordering code
MKP525-D-1.0	1.0	1.20	4.0	53 x 114	0.3	B32343C5012A020
MKP525-D-1.5	1.5	1.80	5.5	53 x 114	0.3	B32343C5012A520
MKP525-D-2.0	2.0	2.40	7.5	63.5 x 129	0.4	B32343C5022A020
MKP525-D-2.5	2.5	2.70	9.5	63.5 x 129	0.4	B32343C5022A520
MKP525-D-6.5	5.0	6.00	19.2	79.5 x 195	0.8	B32344C5071A520
MKP525-D-6.3	6.3	7.50	24.0	79.5 x 195	0.8	B32344C5071A520
MKP525-D-8.3	8.3	10.00	32.0	89.5 x 270	0.8	B32344C5101A020
MKP525-D-10.4	10.4	12.50	40.0	89.5 x 345	2.1	B32344C5121A520
MKP525-D-12.5	12.5	15.00	48.0	89.5 x 345	2.1	B32344C5151A020
MKP525-D-16.7	16.7	20.00	64.0	89.5 x 345	2.1	B32344C5201A020
MKP525-D-20.0	20.0	25.00	80.0	89.5 x 345	2.1	B32344C5202A020
MKP525-D-25.0	25.0	30.00	96.0	89.5 x 345	2.1	B32344C5202A020

Preliminary data

Drawings

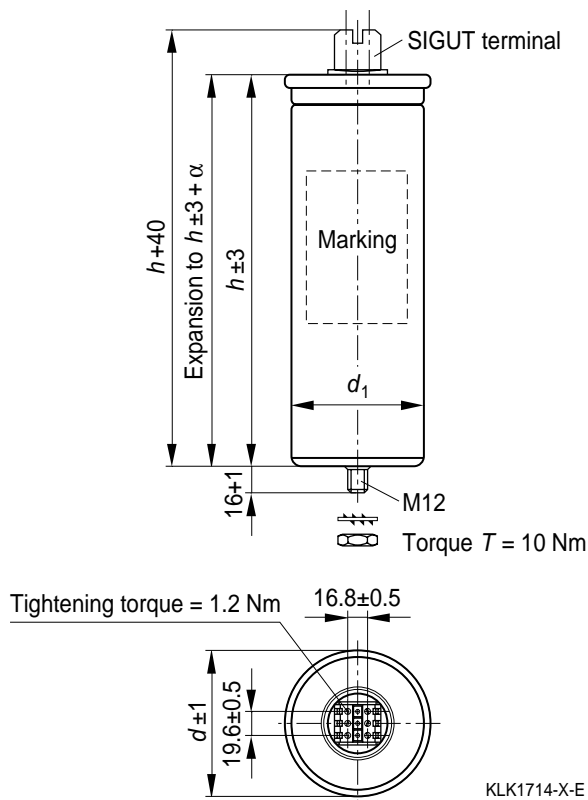
B32343



Maximum torque

- M5 - 2.5 Nm
- M8 - 4 Nm
- M12 - 10 Nm

B32344



© EPCOS AG 2003. Reproduction, publication and dissemination of this data sheet, enclosures hereto and the information contained therein without EPCOS' prior express consent is prohibited. Purchase orders are subject to the General Conditions for the Supply of Products and Services of the Electrical and Electronics Industry recommended by the ZVEI (German Electrical and Electronic Manufacturers' Association), unless otherwise agreed.