



SAW Components

Data Sheet B3668





SAW Components

B3668

Low-Loss Filter

1950 MHz

Data Sheet

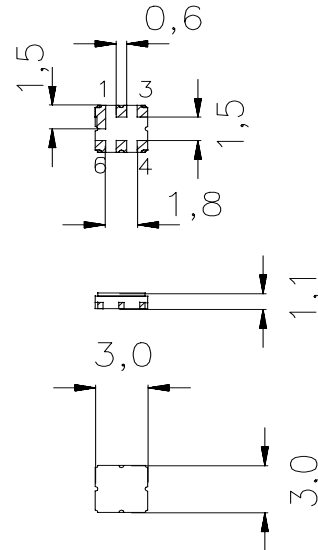
SMD ceramic package **DCC6C**

Features

- Low-loss RF filter for UMTS system
- Usable passband 60 MHz
- No matching network required for operation at 50 Ω
- Ceramic Package for **Surface Mounted Technology (SMT)**
- RoHS Compliant

Terminals

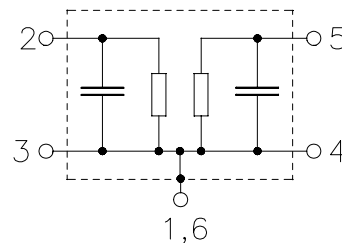
- Ni, gold-plated



Dimensions in mm, approx. weight 0,037 g

Pin configuration

- 2 Input
- 1, 3 Input ground
- 5 Output
- 4, 6 Output ground



Type	Ordering code	Marking and Package according to	Packing according to
B3668	B39202-B3668-U410	C61157-A7-A67	F61074-V8168-Z000

Electrostatic Sensitive Device (ESD)

Maximum ratings

Operable temperature range	T	-40 / +85	°C	Machine Model, 10 pulses
Storage temperature range	T _{stg}	-40 / +85	°C	
DC voltage	V _{DC}	0	V	
ESD voltage	V _{ESD}	50 ¹⁾	V	
Input power max.				
2080,0 ... 2170,0 MHz	P _{IN}	12	dBm	continuous wave, 85 °C
	P _{IN}	15	dBm	continuous wave, 55 °C

1) acc. to JESD22-A115A (Machine Model), 10 negative & 10 positive pulses.



SAW Components

B3668

Low-Loss Filter

1950 MHz

Data Sheet

Characteristics

Operating temperature range: $T_A = -30 \dots +85 \text{ }^\circ\text{C}$
 Terminating source impedance: $Z_S = 50 \text{ } \Omega$
 Terminating load impedance: $Z_L = 50 \text{ } \Omega$

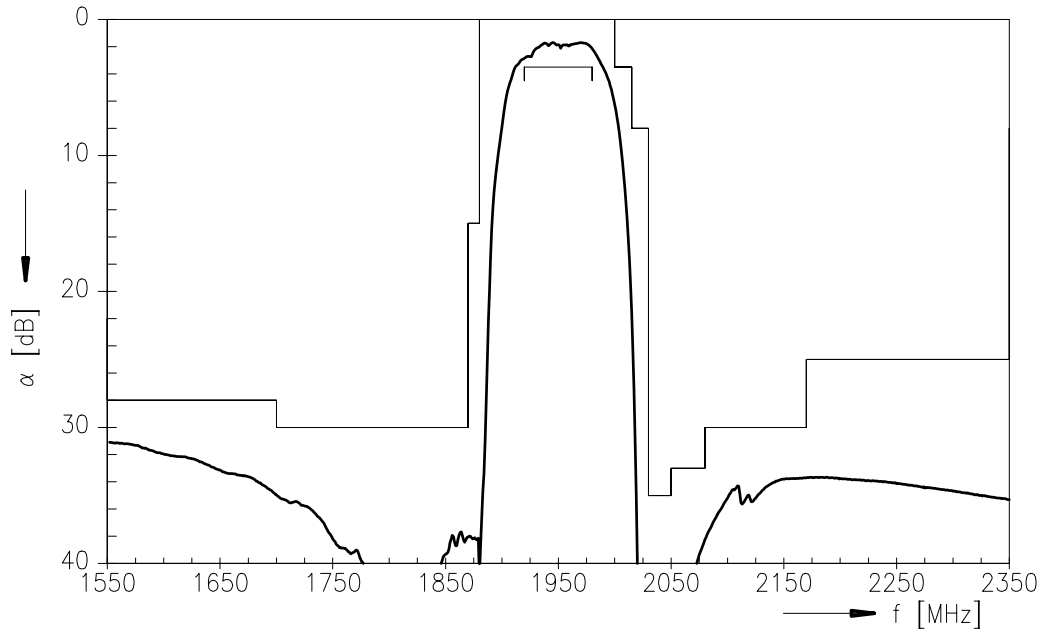
		min.	typ.	max.	
Nominal frequency	f_N	—	1950,0	—	MHz
Maximum insertion attenuation	α_{\max}	—	3,0	3,5	dB
	1920,0 ... 1980,0 MHz				
Amplitude ripple (p-p)	$\Delta\alpha$	—	1,5	2,1	dB
	1920,0 ... 1980,0 MHz				
Return loss		8,0	10,0	—	dB
	1920,0 ... 1980,0 MHz				
Attenuation	α				
	50,0 ... 1400,0 MHz	22,0	25,0	—	dB
	1400,0 ... 1495,0 MHz	25,0	28,0	—	dB
	1495,0 ... 1700,0 MHz	28,0	31,0	—	dB
	1700,0 ... 1870,0 MHz	30,0	34,0	—	dB
	1870,0 ... 1880,0 MHz	20,0 *)	30,0	—	dB
	2000,0 ... 2015,0 MHz	3,5	6,0	—	dB
	2015,0 ... 2030,0 MHz	8,0	20,0	—	dB
	2030,0 ... 2050,0 MHz	35,0	45,0	—	dB
	2050,0 ... 2080,0 MHz	33,0	37,0	—	dB
	2080,0 ... 2170,0 MHz	30,0	34,0	—	dB
	2170,0 ... 5000,0 MHz	25,0	30,0	—	dB
	5000,0 ... 5800,0 MHz	10,0	12,0	—	dB
	5800,0 ... 6000,0 MHz	8,0	10,0	—	dB
Temperature coefficient of frequency	TC_f	—	-35	—	ppm/K

*) min. 15 dB ($T > 45 \text{ }^\circ\text{C}$)

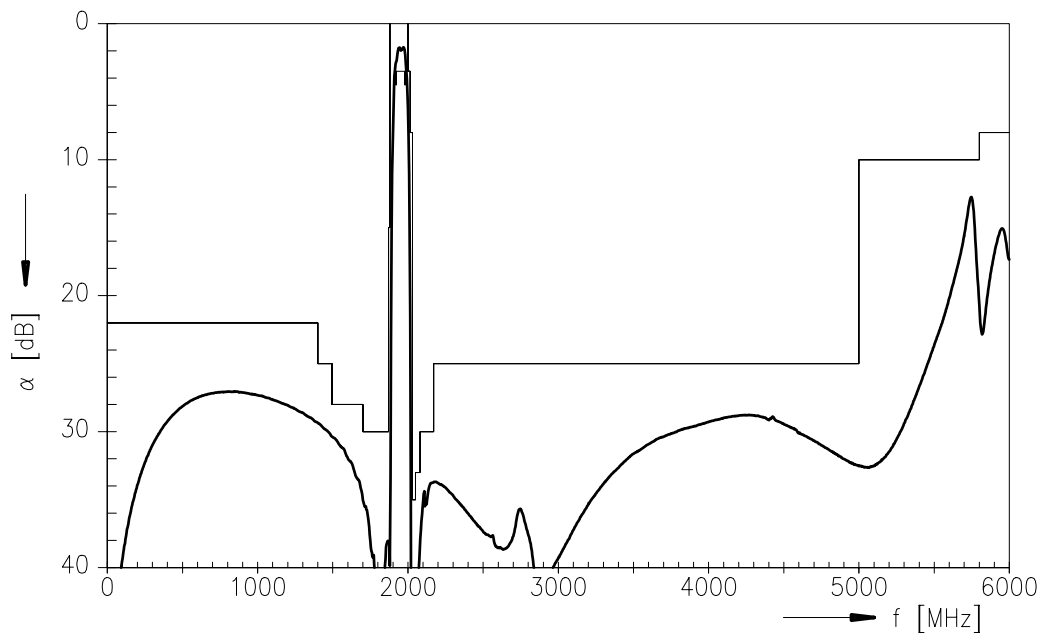


Data Sheet

Transfer function (narrow band)



Transfer function (wide band)





SAW Components

B3668

Low-Loss Filter

1950 MHz

Data Sheet

Published by EPCOS AG

Surface Acoustic Wave Components Division, SAW COM WT PD

P.O. Box 80 17 09, 81617 Munich, GERMANY

© EPCOS AG 2006. Reproduction, publication and dissemination of this brochure and the information contained therein without EPCOS' prior express consent is prohibited.

Purchase orders are subject to the General Conditions for the Supply of Products and Services of the Electrical and Electronics Industry recommended by the ZVEI (German Electrical and Electronic Manufacturers' Association), unless otherwise agreed.

This brochure replaces the previous edition.

For questions on technology, prices and delivery please contact the Sales Offices of EPCOS AG or the international Representatives.

Due to technical requirements components may contain dangerous substances. For information on the type in question please also contact one of our Sales Offices.