



SAW Components

Data Sheet B4124





SAW Components

B4124

Low-Loss Filter for Mobile Communication

942,5 MHz

Data Sheet



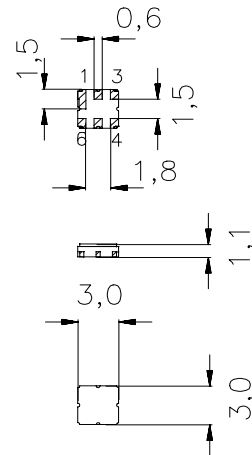
Ceramic package **DCC6C**

Features

- Low-loss RF filter for EGSM mobile systems
- Low amplitude ripple
- Usable passband 35 MHz
- Ceramic package for **Surface Mounted Technology (SMT)**

Terminals

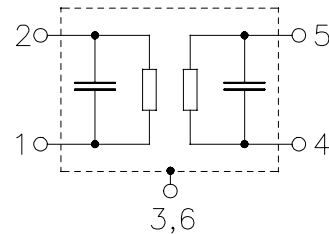
- Ni, gold-plated



Dimensions in mm, approx. weight 0,037 g

Pin configuration

- 2 Input
- 1 Input ground
- 5 Output
- 4 Output ground
- 1, 3, 4, 6 To be grounded
- 1, 3, 4, 6 Case ground



Type	Ordering code	Marking and Package according to	Packing according to
B4124	B39941-B4124-U410	C61157-A7-A67	F61074-V8088-Z000

Electrostatic Sensitive Device (ESD)

Maximum ratings

Operable temperature range	T	-40 / +85	°C	machine model, 10 pulses source and load impedance 50 Ω continuous wave, 85 °C
Storage temperature range	T_{stg}	-40 / +85	°C	
DC voltage	V_{DC}	3	V	
ESD voltage	V_{ESD}	100 ¹⁾	V	
Input power max.		11	dBm	
925,0 ... 960,0 MHz	P_{IN}			

1) acc. to JESD22-A115A (machine model), 10 negative & 10 positive pulses.



SAW Components

B4124

Low-Loss Filter for Mobile Communication

942,5 MHz

Data Sheet



Characteristics

Operating temperature range: $T = +25\text{ °C}$
 Terminating source impedance: $Z_S = 50\ \Omega$
 Terminating load impedance: $Z_L = 50\ \Omega$

			min.	typ.	max.	
Center frequency	f_C		—	942,5	—	MHz
Maximum insertion attenuation	α_{max}					
		925,0 ... 960,0 MHz	—	3,0	4,0	dB
Amplitude ripple (p-p)	$\Delta\alpha$					
		925,0 ... 960,0 MHz	—	1,3	2,3	dB
Input VSWR						
		925,0 ... 960,0 MHz		2,3	2,5	
Output VSWR						
		925,0 ... 960,0 MHz		2,3	2,5	
Attenuation	α					
		0,0 ... 800,0 MHz	50	60	—	dB
		800,0 ... 880,0 MHz	40	52	—	dB
		880,0 ... 905,0 MHz	35	45	—	dB
		905,0 ... 915,0 MHz	24	28	—	dB
		980,0 ... 1005,0 MHz	23	25	—	dB
		1005,0 ... 1025,0 MHz	30	42	—	dB
		1025,0 ... 1760,0 MHz	40	50	—	dB
		1760,0 ... 2500,0 MHz	30	40	—	dB
		2500,0 ... 3120,0 MHz	20	27	—	dB
		3120,0 ... 4000,0 MHz	18	25	—	dB
		4000,0 ... 6000,0 MHz	—	8	—	dB
Input reflection coefficient @1842,5 MHz						
	Phase		-150	-140	-130	°



SAW Components

B4124

Low-Loss Filter for Mobile Communication

942,5 MHz

Data Sheet



Characteristics

Operating temperature range: $T = -10$ to $+80$ °C
 Terminating source impedance: $Z_S = 50 \Omega$
 Terminating load impedance: $Z_L = 50 \Omega$

		min.	typ.	max.	
Center frequency	f_C	—	942,5	—	MHz
Maximum insertion attenuation	α_{max}	—	3,2	4,5	dB
925,0 ... 960,0 MHz					
Amplitude ripple (p-p)	$\Delta\alpha$	—	1,5	2,8	dB
925,0 ... 960,0 MHz					
Input VSWR			2,3	2,5	
925,0 ... 960,0 MHz					
Output VSWR			2,3	2,5	
925,0 ... 960,0 MHz					
Attenuation	α				
0,0 ... 800,0 MHz		50	60	—	dB
800,0 ... 880,0 MHz		40	52	—	dB
880,0 ... 905,0 MHz		35	45	—	dB
905,0 ... 915,0 MHz		20	28	—	dB
980,0 ... 1005,0 MHz		20	23	—	dB 1)
980,0 ... 1005,0 MHz		23	27	—	dB 2)
980,0 ... 982,0 MHz		20	23	—	dB
982,0 ... 1005,0 MHz		23	27	—	dB
1005,0 ... 1025,0 MHz		30	42	—	dB
1025,0 ... 1760,0 MHz		40	50	—	dB
1760,0 ... 2500,0 MHz		30	40	—	dB
2500,0 ... 3120,0 MHz		20	27	—	dB
3120,0 ... 4000,0 MHz		18	25	—	dB
4000,0 ... 6000,0 MHz		—	8	—	dB
Input reflection coefficient @1842,5 MHz					
	Phase	-150	-140	-130	°

1) specification valid for $T < 25$ °C

2) specification valid for $T \geq 25$ °C



Characteristics

Operating temperature range: $T = -30$ to $+80$ °C
 Terminating source impedance: $Z_S = 50 \Omega$
 Terminating load impedance: $Z_L = 50 \Omega$

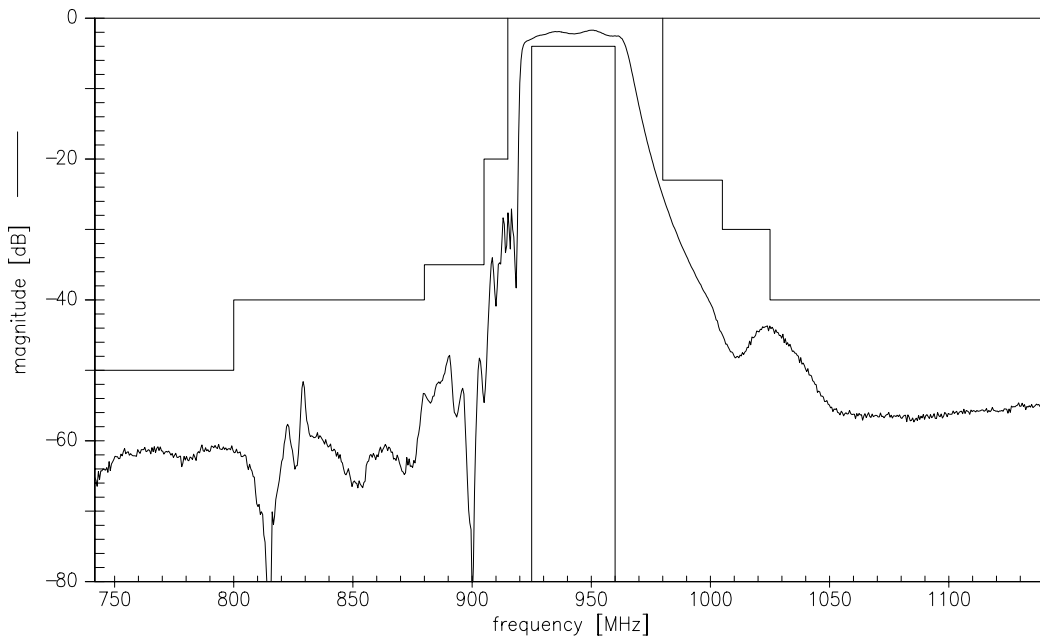
		min.	typ.	max.	
Center frequency	f_C	—	942,5	—	MHz
Maximum insertion attenuation	α_{max}				
925,0 ... 960,0 MHz		—	3,2	4,5	dB
Amplitude ripple (p-p)	$\Delta\alpha$				
925,0 ... 960,0 MHz		—	1,5	2,8	dB
Input VSWR					
925,0 ... 960,0 MHz			2,3	2,5	
Output VSWR					
925,0 ... 960,0 MHz			2,3	2,5	
Attenuation	α				
0,0 ... 800,0 MHz		50	60	—	dB
800,0 ... 880,0 MHz		40	52	—	dB
880,0 ... 905,0 MHz		35	45	—	dB
905,0 ... 915,0 MHz		15	28	—	dB
980,0 ... 1005,0 MHz		20	23	—	dB 1)
980,0 ... 1005,0 MHz		23	27	—	dB 2)
980,0 ... 982,0 MHz		20	23	—	dB
982,0 ... 1005,0 MHz		23	27	—	dB
1005,0 ... 1025,0 MHz		30	42	—	dB
1025,0 ... 1760,0 MHz		40	50	—	dB
1760,0 ... 2500,0 MHz		30	40	—	dB
2500,0 ... 3120,0 MHz		20	27	—	dB
3120,0 ... 4000,0 MHz		18	25	—	dB
4000,0 ... 6000,0 MHz		—	8	—	dB
Input reflection coefficient @1842,5 MHz					
	Phase	-150	-140	-130	°

1) specification valid for $T < 25$ °C

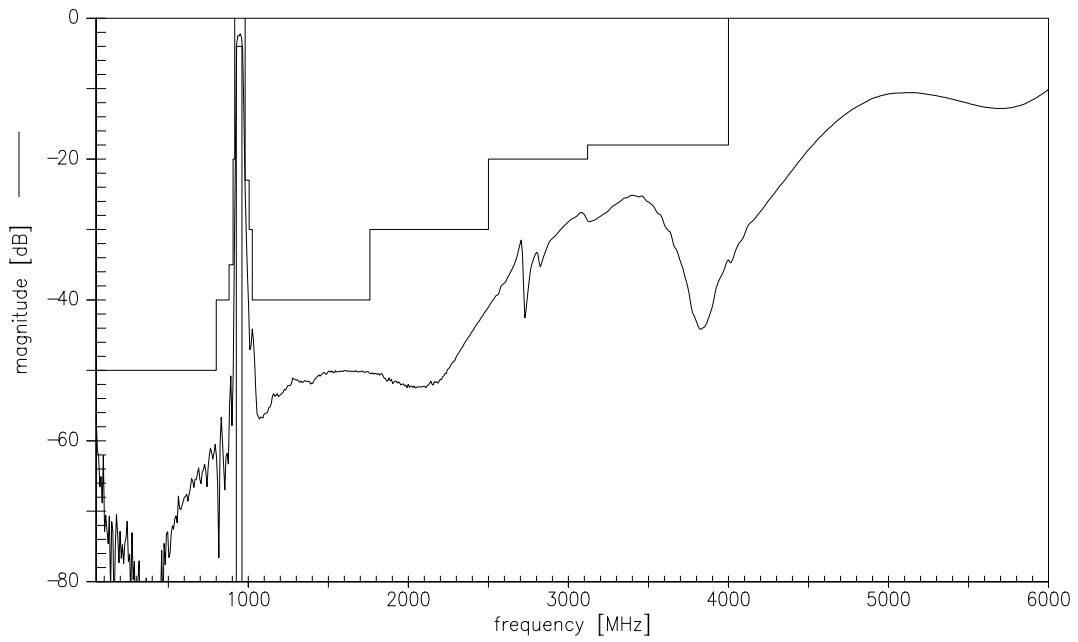
2) specification valid for $T \geq 25$ °C



Transfer function (drawn specification for +25° C)

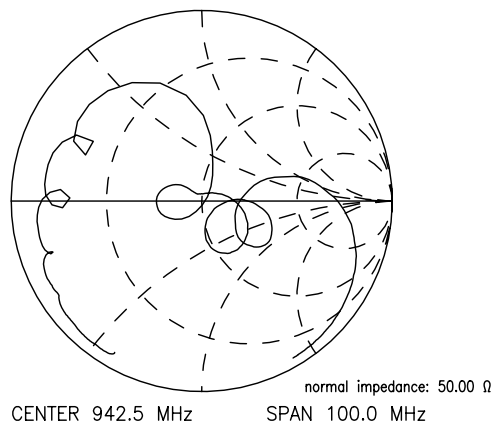
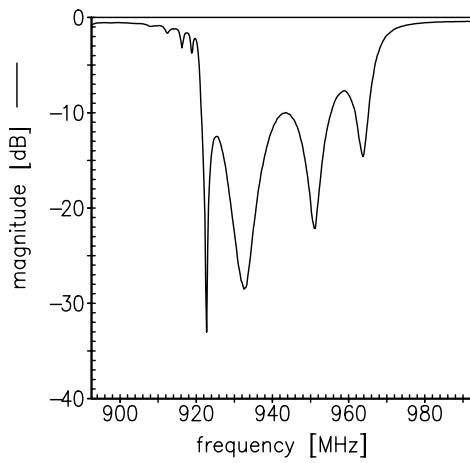


Transfer function (wideband)

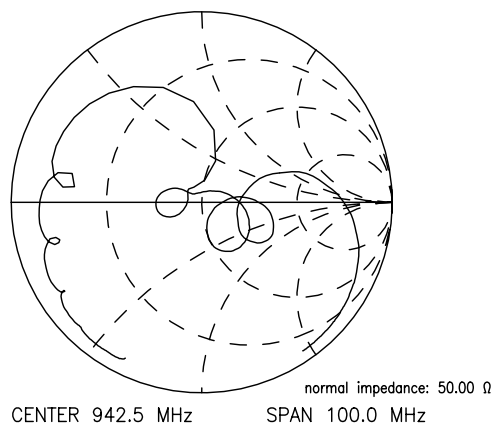
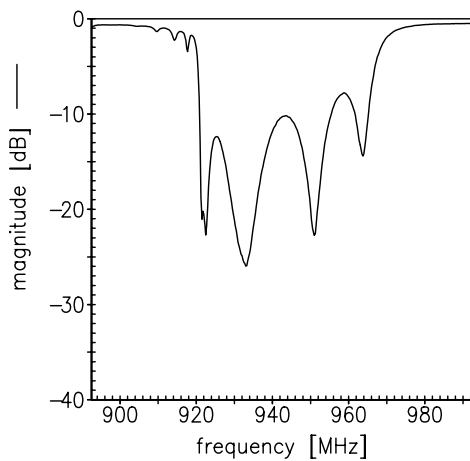




S_{11}



S_{22}





SAW Components

B4124

Low-Loss Filter for Mobile Communication

942,5 MHz

Data Sheet



Published by EPCOS AG

Surface Acoustic Wave Components Division, SAW COM WT PD

P.O. Box 80 17 09, D-81617 München

© EPCOS AG 2006. All Rights Reserved.

As far as patents or other rights of third parties are concerned, liability is only assumed for components per se, not for applications, processes and circuits implemented within components or assemblies.

The information describes the type of component and shall not be considered as assured characteristics.

Terms of delivery and rights to change design reserved.

For questions on technology, prices and delivery please contact the sales offices of EPCOS AG or the international representatives.

Due to technical requirements components may contain dangerous substances. For information on the type in question please also contact one of our sales offices.