



# SAW Components

Data Sheet B4125





**SAW Components**

**B4125**

**Low-Loss Filter for Mobile Communication**

**881,50 MHz**

Data Sheet



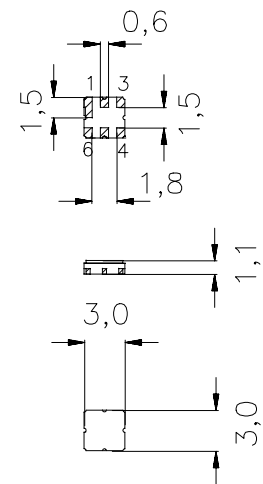
Ceramic package **DCC6C**

**Features**

- Low-loss RF filter for AMPS mobile telephone system, receive path
- Low amplitude ripple
- Usable passband 25 MHz
- Ceramic package for **Surface Mounted Technology (SMT)**

**Terminals**

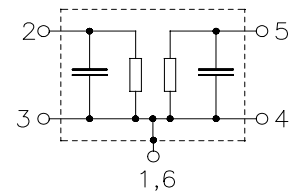
- Ni, gold-plated



Dimensions in mm, approx. weight 0,037 g

**Pin configuration**

- 2 Input
- 5 Output
- 1, 3, 4, 6 Ground, to be grounded



Type	Ordering code	Marking and Package according to	Packing according to
B4125	B39881-B4125-U410	C61157-A7-A67	F61074-V8088-Z000

Electrostatic **Sensitive Device (ESD)**

**Maximum ratings**

Operable temperature range	$T$	- 30 / + 85	°C	source impedance 50 $\Omega$
Storage temperature range	$T_{stg}$	- 40 / + 85	°C	
DC voltage	$V_{DC}$	3	V	
Input power max.	$P_{IN}$	6	dBm	



**Characteristics**

Operating temperature range:  $T = -30$  to  $+85$  °C  
 Terminating source impedance:  $Z_S = 50 \Omega$   
 Terminating load impedance:  $Z_L = 50 \Omega$

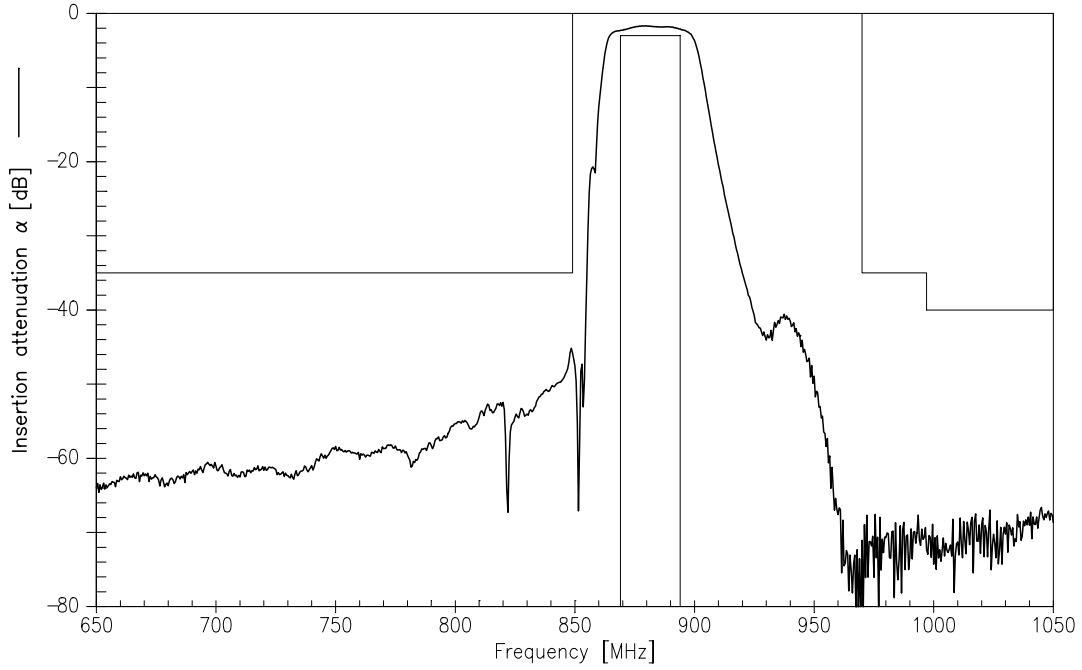
			min.	typ.	max.	
<b>Center frequency</b>	$f_C$		—	881,5	—	MHz
<b>Maximum insertion attenuation</b>	$\alpha_{max}$	869,0 ... 894,0 MHz	—	2,6	3,0	dB
<b>Amplitude ripple (p-p)</b>	$\Delta\alpha$	869,0 ... 894,0 MHz	—	1,1	1,5	dB
<b>VSWR</b>		869,0 ... 894,0 MHz	—	1,5	1,6	
<b>Attenuation</b>	$\alpha$					
		0,0 ... 824,0 MHz	35,0	50,0	—	dB
		824,0 ... 849,0 MHz	35,0	45,0	—	dB
		970,0 ... 997,0 MHz	35,0	60,0	—	dB
		997,0 ... 1150,0 MHz	40,0	60,0	—	dB
		1150,0 ... 1500,0 MHz	30,0	50,0	—	dB
		1500,0 ... 2000,0 MHz	25,0	38,0	—	dB
		2000,0 ... 3000,0 MHz	20,0	25,0	—	dB



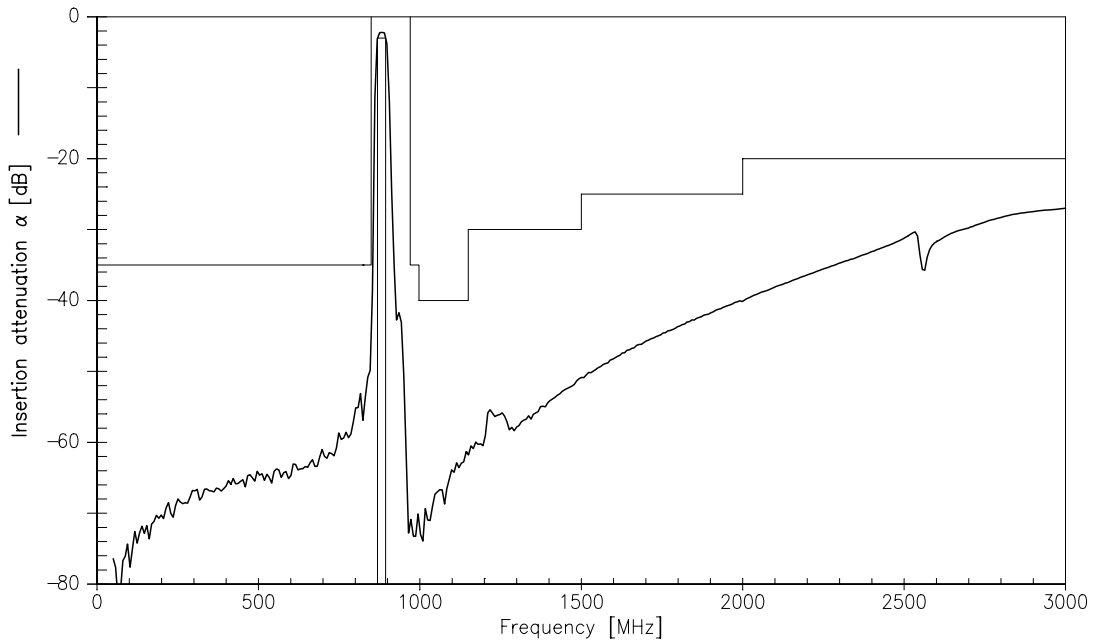
Data Sheet



Transfer function

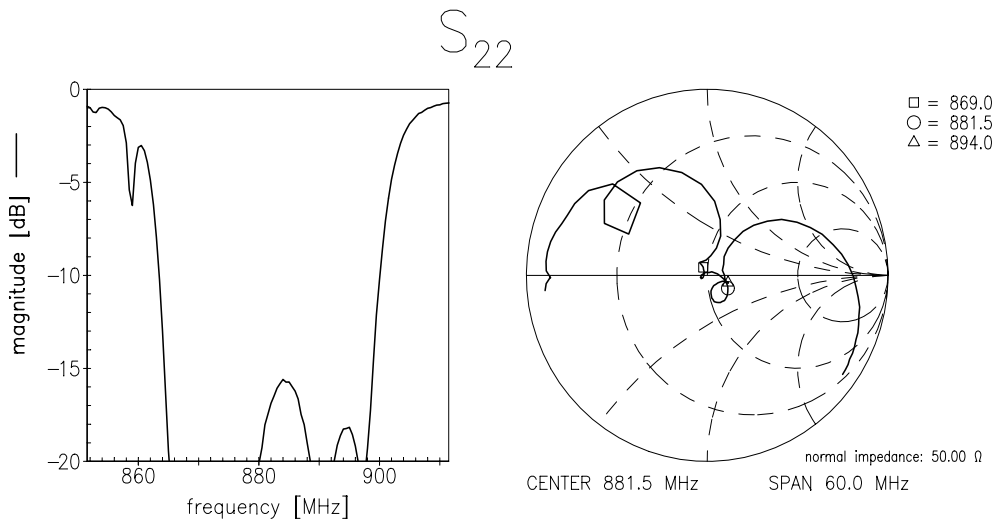
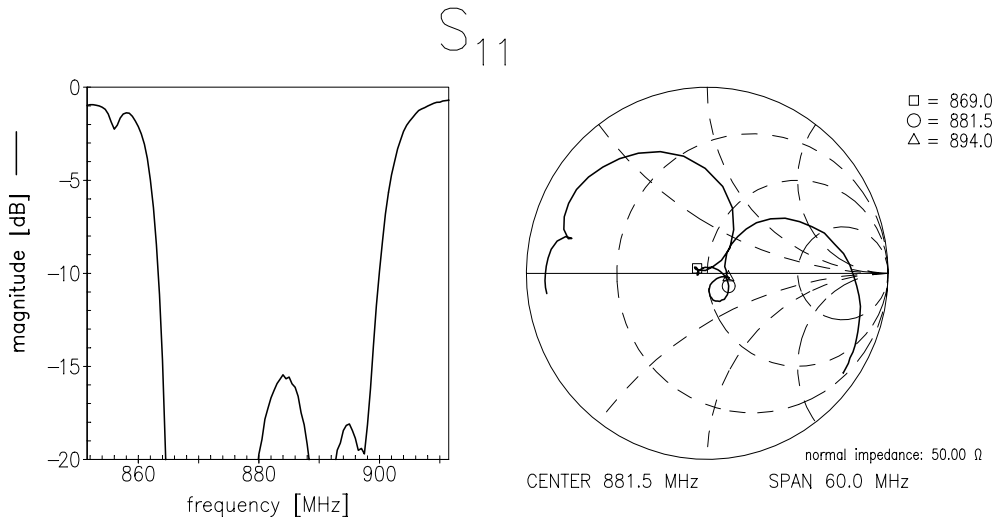


Transfer function (wideband)





Reflection functions





**SAW Components**

**B4125**

**Low-Loss Filter for Mobile Communication**

**881,50 MHz**

Data Sheet



**Published by EPCOS AG**

**Surface Acoustic Wave Components Division, SAW MC WT**

**P.O. Box 80 17 09, D-81617 München**

© EPCOS AG 2002. All Rights Reserved. Reproduction, publication and dissemination of this brochure and the information contained therein without EPCOS' prior express consent is prohibited.

The information contained in this brochure describes the type of component and shall not be considered as guaranteed characteristics. Purchase orders are subject to the General Conditions for the Supply of Products and Services of the Electrical and Electronics Industry recommended by the ZVEI (German Electrical and Electronic Manufacturers' Association), unless otherwise agreed.

This brochure replaces the previous edition.

For questions on technology, prices and delivery please contact the Sales Offices of EPCOS AG or the international Representatives.

Due to technical requirements components may contain dangerous substances. For information on the type in question please also contact one of our Sales Offices