



IF Filters for Cordless Phones and ISM-Band Application

Series/Type: **B8110**

The following products presented in this data sheet are being withdrawn.

Ordering Code	Substitute Product	Date of Withdrawal	Deadline Last Orders	Last Shipments
B39111B8110L100		2004-05-19	2004-12-31	2004-03-31

For further information please contact your nearest EPCOS sales office, which will also support you in selecting a suitable substitute. The addresses of our worldwide sales network are presented at www.epcos.com/sales.



Withdrawn Products

The following products presented in this data sheet are being withdrawn:

B39111B8110L100

Date of withdrawal: 19-MAY-04

Deadline for last orders: 31-DEC-04

Last shipments: 31-MAR-04

For further information please contact your nearest EPCOS sales office, which will also support you in selecting a suitable substitute. The addresses of the sales offices are given on the Internet at www.epcos.com/sales.



SAW Components

Data Sheet B 8110 L





SAW Components

B 8110 L

Bandpass Filter

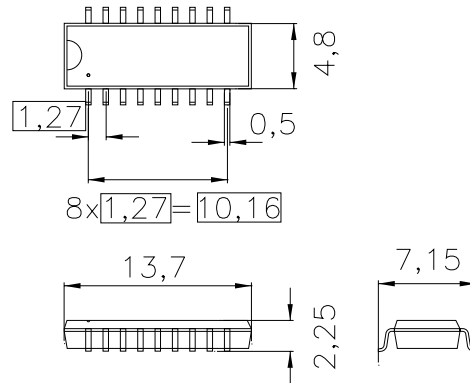
110,59 MHz

Data Sheet

duroplast package **DIP18D**

Features

- IF filter for cordless application
- Channel selection in DECT system
- Low group delay ripple
- **Surface Mounted Technology (SMT)**
- Standard IC small outline (SO) package
- Balanced and unbalanced operation possible
- no matching required on 50 Ω



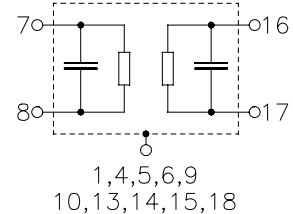
Terminals

- Tinned CuFe alloy

Dimensions in mm, approx. weight 0,5 g

Pin configuration

- 7 Input
- 8 Input ground or balanced input
- 16 Output
- 17 Output ground or balanced output
- 1,4,5,6,9,10,13,14,15,18 Chip carrier – ground
- 2,3,11,12 not connected



Type	Ordering code	Marking and Package according to	Packing according to
B8110L	B39111-B8110-L100	C61157-A2-A4	F61074-V8058-Z000

Electrostatic Sensitive Device (ESD)

Maximum ratings

Operable temperature range	T_A	-40/+65	°C	
Storage temperature range	T_{stg}	-40/+85	°C	
DC voltage	V_{DC}	0	V	
Source power	P_s	10	dBm	



SAW Components	B 8110 L
Bandpass Filter	110,59 MHz

Data Sheet

Characteristics

Reference temperature: $T = +25\text{ }^{\circ}\text{C}$
 Terminating source impedance: $Z_S = 50\ \Omega$
 Terminating load impedance: $Z_L = 50\ \Omega$

		min.	typ.	max.	
Nominal frequency	f_N	—	110,59	—	MHz
Center frequency (center frequency between 10 dB points)	f_c	110,51	110,59	110,67	MHz
Minimum insertion attenuation	α_{\min}	—	16,5	17,5	dB
Passband width	$B_{3\text{dB}}$	—	1,15	—	MHz
	$B_{30\text{dB}}$	—	2,57	—	MHz
Group delay ripple (p-p) $f_N - 600\text{ kHz} \quad \dots \quad f_N + 600\text{ kHz}$	$\Delta\tau$	—	180	250	ns
Relative attenuation (relative to α_N)	α_{rel}				
$f_N \pm 1,6\text{ MHz} \quad \dots \quad f_N \pm 3,1\text{ MHz}$		32	36	—	dB
$f_N \pm 3,1\text{ MHz} \quad \dots \quad f_N \pm 4,6\text{ MHz}$		40	52	—	dB
$f_N \pm 4,6\text{ MHz} \quad \dots \quad f_N \pm 20\text{ MHz}$		45	57	—	dB
$f_N \pm 1,728\text{ MHz}$		32	37	—	dB
$f_N \pm 2 \times 1,728\text{ MHz}$		42	57	—	dB
$f_N \pm 3 \times 1,728\text{ MHz}$		48	63	—	dB
Impedance in pass band					
Input: $Z_{\text{IN}} = R_{\text{IN}} \parallel C_{\text{IN}}$		—	850 \parallel 6,8	—	$\Omega \parallel \text{pF}$
Output: $Z_{\text{OUT}} = R_{\text{OUT}} \parallel C_{\text{OUT}}$		—	100 \parallel 25	—	$\Omega \parallel \text{pF}$
Temperature coefficient of frequency	TC_f	—	- 18	—	ppm/K



SAW Components

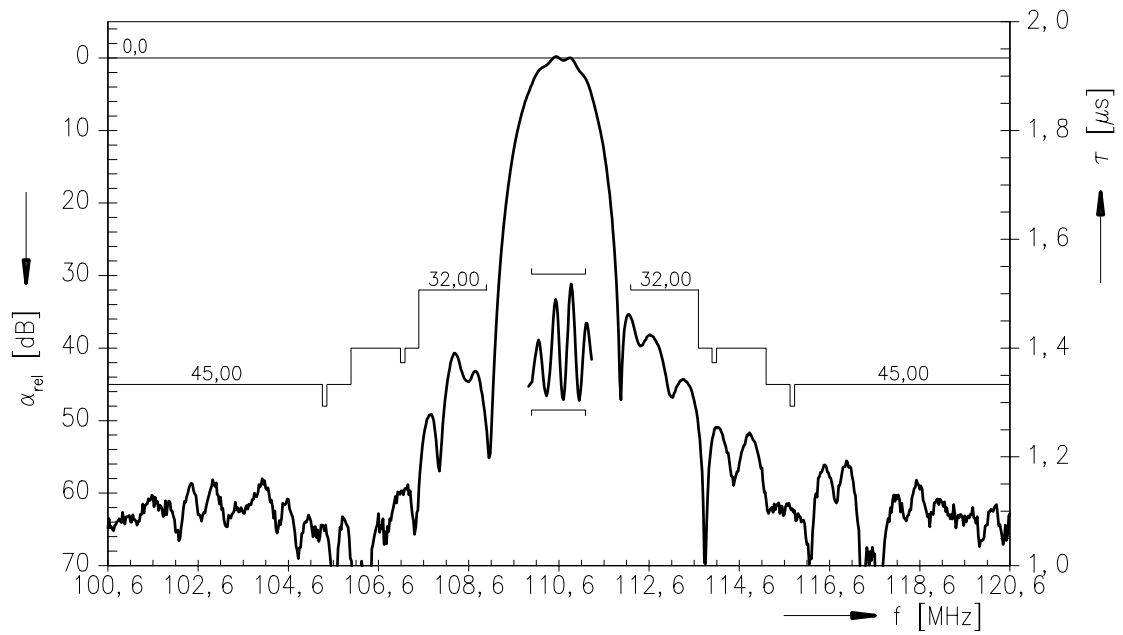
B 8110 L

Bandpass Filter

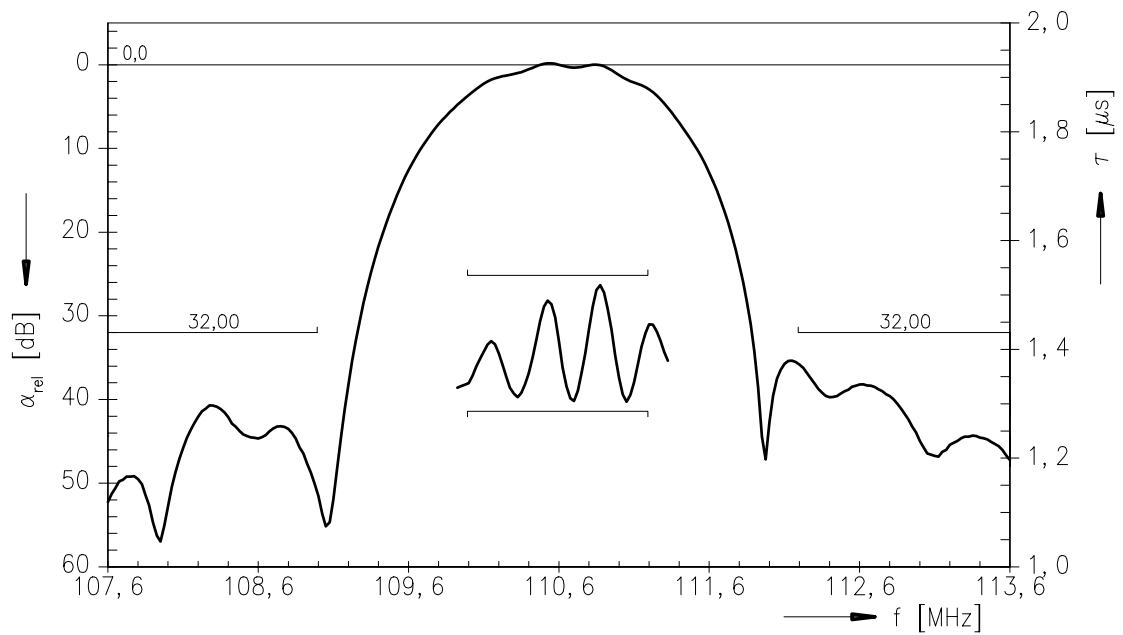
110,59 MHz

Data Sheet

Transfer function:



Transfer function (pass band):





SAW Components

B 8110 L

Bandpass Filter

110,59 MHz

Data Sheet

Published by EPCOS AG

Surface Acoustic Wave Components Division, SAW CE MM PD

P.O. Box 80 17 09, D-81617 München

© EPCOS AG 2001. All Rights Reserved.

As far as patents or other rights of third parties are concerned, liability is only assumed for components per se, not for applications, processes and circuits implemented within components or assemblies.

The information describes the type of component and shall not be considered as assured characteristics.

Terms of delivery and rights to change design reserved.

For questions on technology, prices and delivery please contact the sales offices of EPCOS AG or the international representatives.

Due to technical requirements components may contain dangerous substances. For information on the type in question please also contact one of our sales offices.