



Size 10x10 mm
Rated inductance 1 μ H .. 1000 μ H

Construction

- Ferrite core
- Winding: enamel copper wire
- Winding welded to terminals

Features

- Wide temperature range
- Very high rated current
- Low DC resistance
- Suitable for leadfree reflow soldering

Applications

- Filtering of supply voltages
- Coupling, decoupling
- DC/DC converters
- Automotive electronics

Terminals

- Leadfree tinned

Marking

Marking on component:

Manufacturer

L value (in μ H) and tolerance (coded)

date of manufacture (coded)

Minimum marking on reel:

Manufacturer, part number, ordering code,

L value and tolerance

quantity, date of packing

Delivery mode

Blister tape 16mm, reel packing

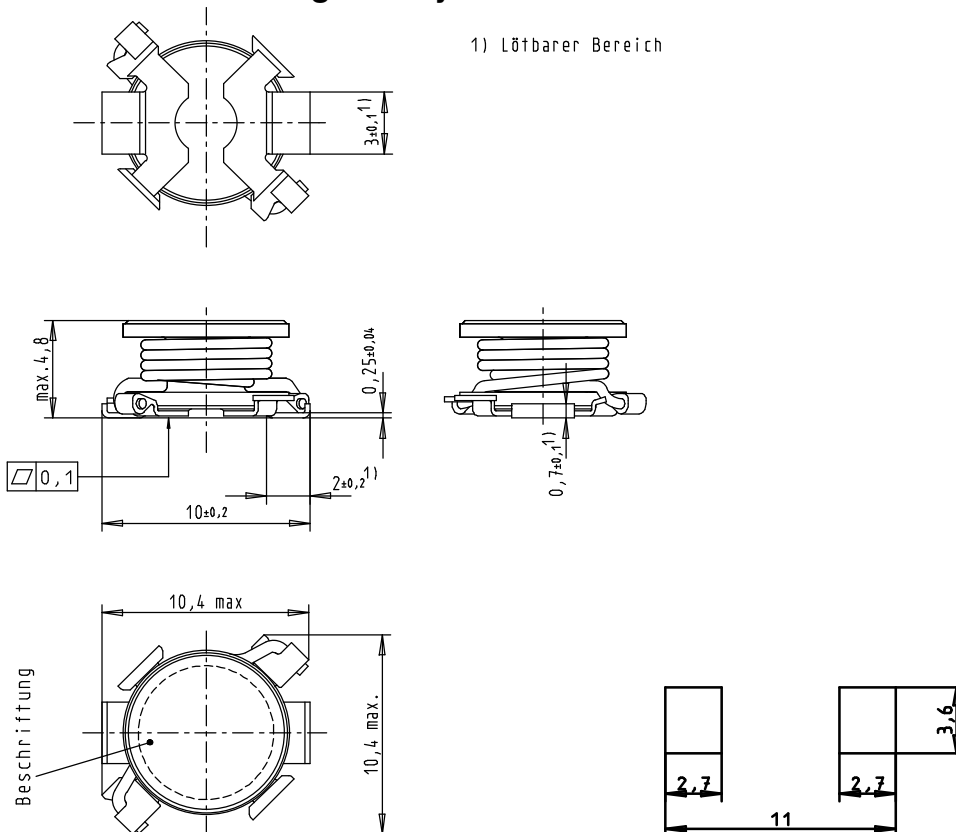
packaging quantity 750 pcs per reel



General technical data

Rated inductance L_R	Measured with HP 4294A, measuring voltage 100 mV
Rated current I_R	Maximum permissible DC with temperature increase of ≤ 40 K at ambient temperature of 85 °C
Saturation current I_{sat}	Maximum permissible DC with inductance decrease- $\Delta L/L_0 \approx 10\%$
Self-resonance frequency f_{res}	Typical self-resonance frequency measured with network analyzer HP 8753
Climatic category	In accordance with IEC 60068-1 55/125/56 (-55 °C/ +125 °C/ 56 days damp heat test)
Solderability	5s, 235°C, wetting > 90%
Mounting on PCB	Suitable for leadfree soldering profiles e.g. like shown in JEDEC J-STD-020C
DC resistance R_{max}	Measured at 20 °C ambient temperature
Weight	Approx. 1,5g

Dimensional drawing and layout recommendation




Characteristics and ordering codes

L_R μH	f_L MHz	Tolerance	I_{Sat} A	I_R A	R_{max} Ω	f_{res} MHz	Ordering code
1,0	0,1	20 %	11	7,00	0,009	120	B82464-A4102-M
1,5	0,1	20 %	9,8	6,50	0,010	80	B82464-A4152-M
2,2	0,1	20 %	8,4	5,70	0,012	60	B82464-A4222-M
3,6	0,1	20 %	6,6	4,90	0,015	50	B82464-A4362-M
4,7	0,1	20 %	5,6	4,30	0,018	42	B82464-A4472-M
6,8	0,1	20 %	4,7	3,50	0,027	30	B82464-A4682-M
10	0,1	20 %	3,9	2,90	0,038	24	B82464-A4103-M
15	0,1	10 %	3,2	2,50	0,046	18	B82464-A4153-K
22	0,1	10 %	2,6	2,10	0,085	15	B82464-A4223-K
33	0,1	10 %	2,2	1,80	0,10	13	B82464-A4333-K
47	0,1	10 %	1,8	1,50	0,14	11	B82464-A4473-K
68	0,1	10 %	1,5	1,25	0,20	9,0	B82464-A4683-K
100	0,1	10 %	1,2	1,03	0,28	8,0	B82464-A4104-K
150	0,1	10 %	1,0	0,86	0,40	6,0	B82464-A4154-K
220	0,1	10 %	0,85	0,69	0,61	5,0	B82464-A4224-K
330	0,1	10 %	0,70	0,58	1,00	4,0	B82464-A4334-K
470	0,1	10 %	0,55	0,50	1,27	3,2	B82464-A4474-K
680	0,1	10 %	0,45	0,40	2,00	2,5	B82464-A4684-K
1000	0,1	10 %	0,38	0,33	3,00	2,0	B82464-A4105-K

